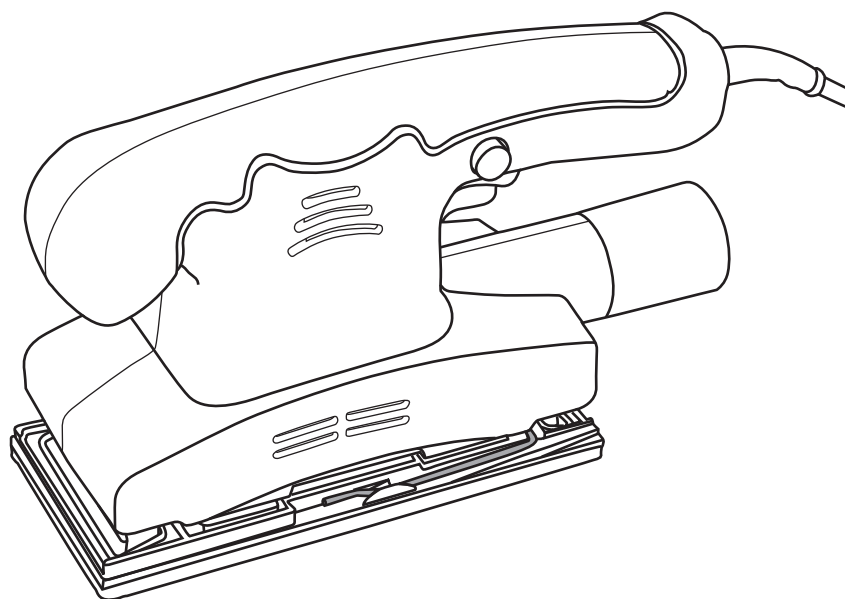


Electric Sheet Sander



Art.no
18-3280

Model
KPSA0109-UK

Ver. 201105
Original instructions

clas ohlson

150 W Sheet Sander

Art.no 18-3280 Model KPSA0109-UK

Please read the entire instruction manual before use and save it for future reference. We reserve the right for any errors in text or images and for making any necessary technical changes to this document. If you should have any questions concerning technical problems please contact our Customer Services.

Safety

Warning! Read all the instructions. Failure to adhere to the following instructions may lead to electric shocks, fires and/or serious injury. The term “power tools” in the warning text below refers to your handheld mains operated or battery operated tool.

The work area

- a) Keep the work area clean and well illuminated. Cluttered and poorly lit areas invite accidents.
- b) Do not use power tools in explosive environments, e.g. near flammable liquids, gases or dust. Power tools generate sparks that can easily ignite dust or fumes.
- c) Keep children and other bystanders away from the area where you are using the power tool. Distractions can cause you to lose your concentration and control.

Electrical safety

- a) The power tool's plug must fit correctly into the wall socket. Never modify the plug in any way. Never use an adaptor together with earthed power tools. Unmodified plugs and suitable wall sockets decrease the risk of electric shock.
- b) Avoid physical contact with earthed objects, such as pipes, radiators, ovens or refrigerators. There is an increased risk of receiving an electrical shock if your body is earthed.
- c) Do not expose the power tool to rain or other wet conditions. If water gets inside a power tool it increases the risk of electric shock.
- d) Do not abuse the lead. Never use the lead to carry the tool or pull the plug from the wall socket. Keep the lead away from heat, oil, sharp edges and movable parts. Damaged or tangled leads increase the risk of electric shock.
- e) When using power tools outdoors, use an extension lead that is suitable for this purpose. Use of an extension lead designed for outdoor use decreases the risk for electric shock.
- f) If for some reason you must use a power tool in a wet environment, always connect it to the mains via an earth-fault circuit breaker such as an RCD (residual current device). Using an RCD significantly reduces the chances of you receiving an electric shock.

Personal safety

- a) Pay attention to your actions and use common sense when using power tools. Never use power tools if you are tired or under the influence of drugs, alcohol or medication. One moment of inattention while using a power tool may result in serious injury.
- b) Use protective equipment. Always wear safety glasses. Using protective clothing such as dust masks, non-slip safety shoes, helmets and ear defenders when needed decreases the risk of injury.
- c) Avoid accidental starts. Make sure that the power switch is set to OFF before plugging the tool into a wall socket. Never carry a power tool with your finger on the trigger and never connect the power tool to a wall socket when the switch is set to ON, since it may result in injury.
- d) Remove all service tools/keys before switching on the power tool. A service tool left on a moving part of the power tool may result in injury.
- e) Do not overreach. Make sure you stand steady and well balanced at all times. This will allow you to have more control in unexpected situations.
- f) Wear suitable attire. Do not wear loose-fitting clothing or jewellery. Keep hair, clothes and gloves away from moving parts. Loose-fitting clothes, jewellery or long hair could become caught in moving parts.
- g) If equipment for dust extraction or collection is available, make sure that it is connected and used properly. Using technical aids may decrease dust related hazards.

Proper use and maintenance of your power tool

- a) Do not force the power tool. Use a power tool suitable for the work you are about to perform. The proper power tool will perform the task better and safer if used at the correct feed rate.
- b) Never use the power tool if the power switch does not switch the tool on and off properly. All power tools that cannot be controlled by the power switch are dangerous and must be repaired.
- c) Unplug the lead from the wall socket before making any adjustments, changing accessories or storing the power tool. These precautions reduce the risk of the power tool starting unexpectedly.
- d) Store any power tools that are not being used out of children's reach. Do not allow people who are unfamiliar with the tool or its functions to operate the tool. Power tools can be dangerous if they fall into the hands of inexperienced users.
- e) Maintaining power tools. Check for any incorrect settings, parts that catch, broken parts or anything else which may cause the power tool to malfunction. If something is damaged it must be repaired before use. Many accidents are caused by poorly maintained power tools.
- f) Keep tools sharp and clean. Properly maintained cutting tools with sharp blades are less likely to jam and are easier to control.
- g) Use the power tool, accessories and similar according to the instructions and in an appropriate way suitable for the type of power tool used. Also take into consideration your work environment and the type of work to be done. Using the power tool for a purpose other than that for which it is intended could result in a dangerous situation.

Specific safety regulations for sheet sanders

- a) Wear a dust mask whenever sanding and a dust extractor connected to the machine should also be used wherever possible.
- b) Extra care should be taken when sanding paint containing lead or when sanding wood, metal, or other material which could produce toxic dust. Make sure that anyone in the vicinity of the work area is also protected from dust and toxins.
- c) Wood dust can be very flammable when mixed with air.

Service

Repairs and service should only be performed by qualified tradesmen, and only with original spare parts.

Care and maintenance

Clean up any excess dust with a vacuum cleaner.

Note: The dust caused by sanding is harmful to your health and can be very flammable when mixed with air.

Disposal

Follow local ordinances when disposing of this product.
If you are unsure how to proceed, contact your local authority.

Specifications

Voltage	230 V AC, 50 Hz
Power	150 W
No load speed	22,000 strokes/min.
Pad size	90 x 187 mm
Sound pressure	LpA: 76 dB(A) KpA: 3 dB(A)
Sound power	LwA: 87 dB(A) KpA: 3 dB(A)
Vibration level	6.3 m/s ² (K:1.5 m/s ²)
Weight	1.4 kg

Product safety symbols



Read the entire instruction manual.

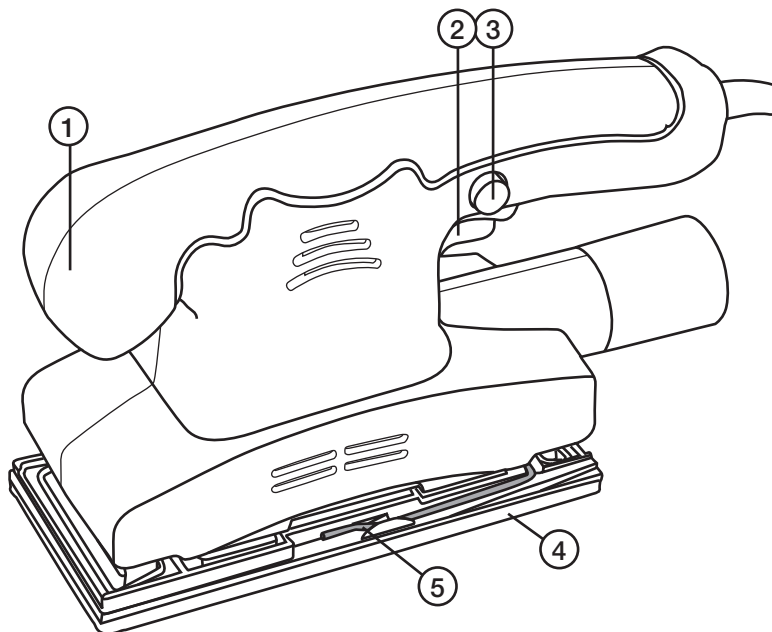


Always use ear protection.



Always use a face mask and eye protection.

Product description



1. Front handle
2. On/off trigger switch
3. Trigger lock
4. Sanding pad
5. Spring clips (one on each side)

Operation

Attaching sandpaper

1. Undo the spring clips.
2. Place the sandpaper onto the sanding pad and line up the holes in the paper with the holes in the pad.
3. Fold the ends of the sandpaper over the ends of the sanding pad.
4. Secure the ends with the spring clips.
5. Make sure that the sandpaper is secure and not loose. If it is loose: Undo one of the clips and pull the paper up until it is taut, then close the clip again.

Start and stop the machine using the power switch

1. Depress the trigger to start the sander and release the trigger to stop it.
2. To lock the trigger switch in, first depress the trigger and then push in the trigger lock button. To release the trigger lock, press the trigger again and the sander will stop.

Sanding

1. Hold the machine firmly in both hands.
2. Move the machine back and forth, along the grain of the wood.
3. Do not force the machine.

Note: The machine needs to operate at full speed to ensure proper cooling of the motor.

Declaration of Conformity

Försäkran om överrenstämelse

Samsvareklæring

Vakuutus yhdenmukaisuudesta



CLAS OHLSON AB
SE-793 85 INSJÖN, SWEDEN

Declares that this product complies with the requirements of the following directives and standards

Intygar att denna produkt överensstämmer med kraven i följande direktiv och standarder

Bekrefter at dette produktet er i samsvar med følgende direktiver og standarder

Vakuuttaa, että tämä tuote täyttää seuraavien direktiivien ja standardien vaatimukset

ELECTRIC SANDER

18-3280

KPSA0109-UK

Machinery directive 2006/42/EC	EMC directive 2004/108/EC	Low Voltage directive 2006/95/EC
EN 60745-1:2009 EN 60745-2-4:2009	EN 55014-1/A1:2009 EN 55014-2/A2:2008 EN 61000-3-2/A2:2009 EN 61000-3-3:2008	

Klas Balkow
President

Insjön, Sweden, 2011-04-18

Sverige

Kundtjänst Tel: 0247/445 00
 Fax: 0247/445 09
 E-post: kundtjanst@clasohlson.se

Internet www.clasohlson.se

Post Clas Ohlson AB, 793 85 INSJÖN

Norge

Kundesenter Tlf.: 23 21 40 00
 Faks: 23 21 40 80
 E-post: kundesenter@clasohlson.no

Internett www.clasohlson.no

Post Clas Ohlson AS, Postboks 485 Sentrum, 0105 OSLO

Suomi

Asiakaspalvelu Puh.: 020 111 2222
 Sähköposti: info@clasohlson.fi

Internet www.clasohlson.fi

Osoite Clas Ohlson Oy, Annankatu 34–36 A, 00100 HELSINKI

Great Britain

For consumer contact, please visit
www.clasohlson.co.uk and click on
customer service.

Internet www.clasohlson.co.uk

clas ohlson