

Microwave

coline®



Art. No.:
18-4281

Model. No:
SMB177C7B-PAOCOG

Microwave

Art. no 18-4281 Model SMB177C7B-PAOCOG

Please read the entire instruction manual before use and save it for future reference. We reserve the right for any errors in text or images and for making any necessary technical changes to this document. If you should have any questions concerning technical problems please contact our Customer Services.

Safety

Warning!

To avoid the risk of exposure to harmful microwaves:

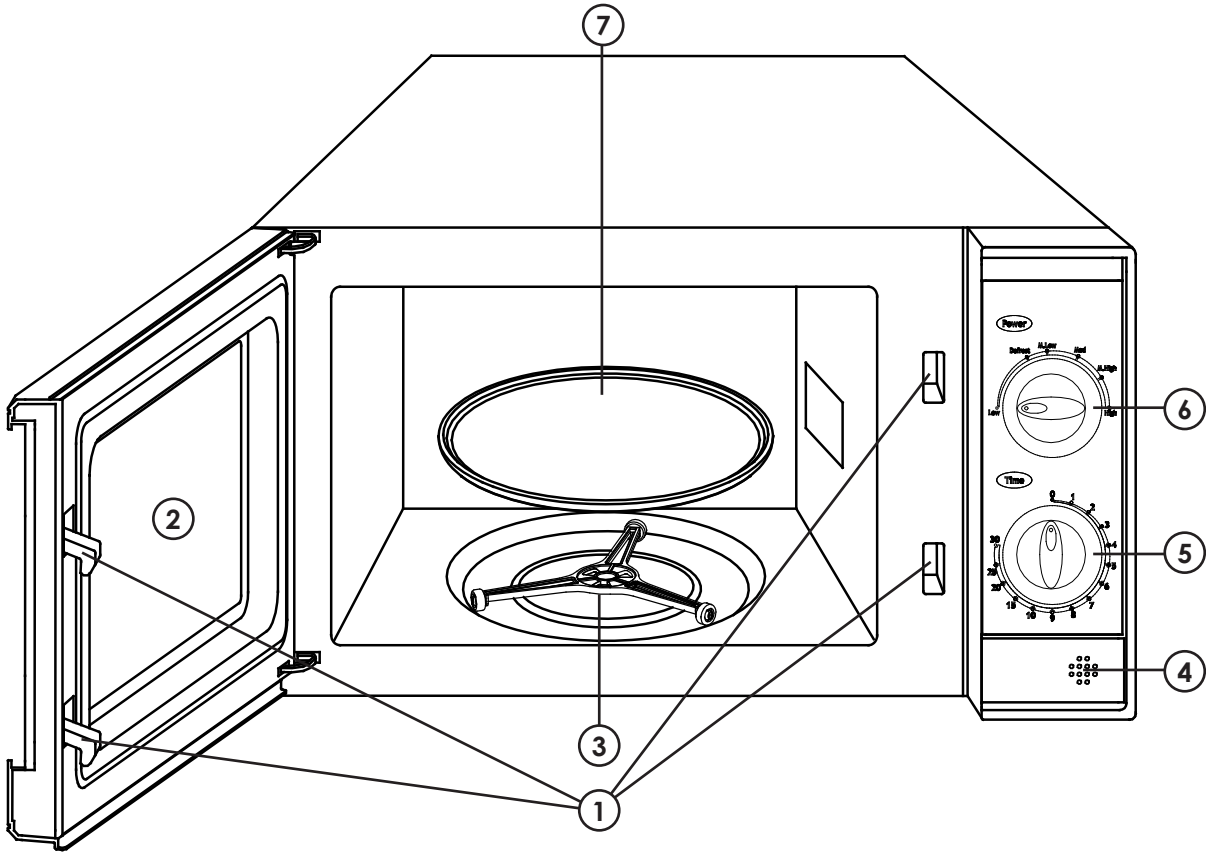
- The microwave should not be used if the door or casing is damaged.
- The microwave may only be disassembled and repaired by qualified service personnel.
- Never open the casing. Certain components inside the casing are exposed and carry dangerous electrical current. Contact with these could result in electric shock.
- The microwave should not be taken apart or modified.
- Never heat drinks or other food items in closed containers since it might cause them to explode.
- This product must not be used by anyone (including children) suffering from physical or mental impairment. This product should not be used by anyone that has not read the instruction manual unless they have been instructed in its use by someone who will take responsibility for their safety.
- Never let children play with the product.
- Make sure that the microwave has plenty of space so that no air inlet/outlet ports are blocked.
- Only use microwave-safe containers.
- Never leave the microwave unattended while heating food items in plastic or paper containers since there may be a risk of fire.
- If smoke is detected, immediately shut off or unplug the microwave. Keep the door shut to smother any flames.
- The contents of feeding bottles or similar baby food containers should always be well stirred or shaken before serving. Always check the temperature of food before serving to avoid burns.
- Do not heat or cook eggs with the shell on in the microwave. They may explode during or after heating.
- Be aware that food containers heated in the microwave become very hot so take care when removing them. Use an oven cloth or oven glove to avoid burning yourself.
- Place the microwave on a dry and even surface.
- Do not place the microwave where it could fall into water or any other type of liquid.
- Check that your power supply is 230 V and that the microwave oven is connected to an earthed socket.
- Do not subject the microwave or the mains lead to knocks or blows.
- Make sure that the lead does not come in contact with warm surfaces, e.g. a warm hob.
- Do not use the microwave if the mains lead or plug is damaged.
- Clean the microwave regularly. Make sure to wipe up any food spills.
- Always unplug the microwave from the wall socket before cleaning it.
- The microwave should only be used and kept indoors.
- Never turn the microwave on when it is empty. Sparks may be produced and the microwave may become damaged.

Product description

Suitable containers for microwave use

We recommend that microwave-safe tableware is used. Suitable materials are glass, porcelain and microwave-safe plastic. Never use metal containers or dinnerware with gold or silver edging or patterns. Even containers of wood or with wooden parts are unsuitable since the wood will dry in the microwave and may even crack.

Buttons and functions



1. Safety lock
2. Window
3. Turntable drive
4. Door release button
5. Timer dial
6. Power selector
7. Turntable

Installation & preparation

Unpack all parts and check that they are intact. Package contents:

- Microwave
- Turntable
- Turntable ring
- Instruction manual

Installing the rotating turntable

- Make sure that the drive (3) is in place and rotates freely. When delivered this can be fixed with adhesive tape. If this is the case, remove the tape.
- Place the turntable onto the drive. Never place the turntable (7) upside down.
- The turntable (7) must be in place every time you use the microwave.
- All food items and containers should be placed on the turntable (7) when defrosting or heating.
- If the turntable (7) or drive (3) is damaged, contact Customer Services.

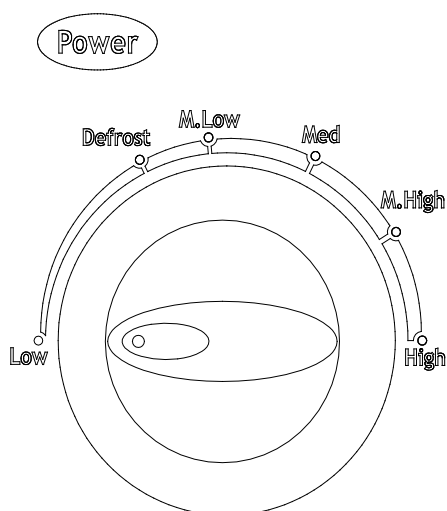
Selecting a good location

- Place the microwave on a flat and dry surface.
- Make sure that the microwave has plenty of space so that no air inlet/outlet ports are blocked. A minimum free area of 7.5 cm to the sides, 10 cm behind and 20 cm above the microwave are required.
- Do not remove the microwave's feet. These are needed to provide enough ventilation underneath the microwave.
- Place the appliance as far away from TVs and radios as possible. Microwaves can cause interference to TV reception and radio broadcasts.

Use

1. Set the power setting by turning the power selector (6) to the desired setting (refer to the settings below).
2. Set the time using the timer dial (5) to the desired time (max. 35 min.).
3. The microwave will start automatically once the power and time have been set.
4. When the time has elapsed the timer bell will go off.
5. Reset the timer to "0" as soon as you have removed food from the oven or when it is not being used.
6. Never start the oven when there is nothing in it (food, beverages, etc.). Sparks may be produced and the microwave may become damaged.

Power settings



Mode/Power	Output	Food
Low	17 %	e.g. softening hard frozen ice cream
Defrost	40 %	Defrosting Heating soup, etc.
M. Low	48 %	
Med	66 %	Stews, fish
M. High (medium high)	85 %	Rice, fish, chicken, meat
High	100 %	Warming e.g. milk, vegetables, drinks. Boiling water

Note during use

- When using low power the oven light will be weaker. This is completely normal.
- Steam may appear during cooking. Most steam will exit the ventilation port but some steam may condense on cooler surfaces such as the oven door. This is completely normal.

Care and maintenance

Always unplug the product from the wall socket before cleaning. Never immerse the microwave in water to clean it.

- Wipe both the inside and outside of the oven with a soft, damp cloth using a mild cleaning solution. Avoid using solvents and abrasive cleaning agents.
- Wash the turntable and drive in warm water with washing up liquid.

Troubleshooting guide

Problem	Possible cause	Possible solution
Oven does not start.	A. Power cable not connected. B. Door is open.	A. Connect the plug to the wall socket. B. Close the door.
Arcing or small sparks occur.	A. Unsuitable materials, e.g. metal is used in the microwave. B. The microwave is being used while empty.	A. Use only microwave-safe materials such as glass or porcelain. B. Do not use the microwave oven while it is empty.
Food is heated unevenly.	A. Unsuitable materials, e.g. metal is used in the microwave. B. The food has not been turned over or mixed.	A. Use only microwave-safe materials such as glass or porcelain. B. Turn over or mix the food.

Disposal

Follow local ordinances when disposing of this product. If you are unsure of how to dispose of this product, please contact your municipality.

Specifications

Power supply	230 V AC, 50 Hz
Input power	1200 W
Output power	700 W
Frequency	2450 MHz
Capacity	17 litres
Glass turntable diameter	24.5 cm
External dimensions	45 x 34 x 26 cm
Weight (ca)	10.5 kg



SVERIGE

KUNDTJÄNST Tel: 0247/445 00
Fax: 0247/445 09
E-post: kundtjanst@clasohlson.se

INTERNET www.clasohlson.se

BREV Clas Ohlson AB, 793 85 INSJÖN

NORGE

KUNDESENTER Tlf.: 23 21 40 00
Faks: 23 21 40 80
E-post: kundesenter@clasohlson.no

INTERNETT www.clasohlson.no

POST Clas Ohlson AS, Postboks 485 Sentrum, 0105 OSLO

SUOMI

ASIAKASPALVELU Puh: 020 111 2222
Faksi: 020 111 2221
Sähköposti: info@clasohlson.fi

INTERNET www.clasohlson.fi

OSOITE Clas Ohlson Oy, Yrjönkatu 23 A, 00100 HELSINKI

GREAT BRITAIN

For consumer contact, please visit
www.clasohlson.co.uk and click on
customer service.

INTERNET www.clasohlson.co.uk