



WORX



LANDROID[®] 
**UNMANNED
MOWING
VEHICLE**

Lawn Mowing Robot	EN	P02
Græsslående robot	DK	P18
Nurmikon leikkausrobotti	FIN	P34
Robot-gressklipper	NOR	P50
Gräsklipparrobot	SV	P66

WG794E

ORIGINAL INSTRUCTIONS

INDHOLDSFORTEGNELSE

1. Safety Instruction	3
1.1 General & additional safety instruction	3
1.2 Information on the Landroid®M	5
2. Technical Data and Packaging Content	6
2.1 Technical data	6
2.2 Component list	7
3. Understanding Your Landroid®M	9
3.1 How does my Landroid®M know what to mow?	9
3.2 How does my Landroid®M know where to go?	10
A. Finding the charging base	10
B. Rain sensors	10
C. Sensing the boundary wire	10
D. Starting and stopping while mowing	10
3.3 How big of an area can my Landroid®M mow?	11
3.4 How efficiently will my Landroid®M mow the grass?	11
4. Boundary Wire Basics	12
4.1 Pegging the Boundary Wire	12
4.2 Burying the Boundary Wire	12
4.3 Joining the Boundary Wire	12
4.4 Turn on and test installation	13
5. Maintenance	13
5.1 Battery life	13
5.2 Winter hibernation	13
5.3 Keep it clean	14
A. Cleaning the body	14
B. Cleaning the underbelly	14
C. Clean the contact pins and the charging strips	15
5.4 Keep it sharp	15
A. Rotate and flip the blades	15
B. Replace the blades	15
5.5 Replacing the battery	16
6. Declaration of Conformity	17

1. Safety Instruction

1.1 General & additional safety instruction

 **WARNING: Read all safety warnings and all instructions. Failure to follow the warnings and instructions may result in electric shock, fire and/or serious injury.**

Carefully read the instructions for the safe operation of the machine.

Save all warnings and instructions for future reference.

- This appliance is not intended for use by persons (including children) with limited physical, sensory or mental capabilities, or lack of experience and knowledge, unless they have been given supervision or instruction concerning use of the appliance by a person responsible for their safety.
- Children should be supervised to ensure that they do not play with the appliance.

IMPORTANT

READ CAREFULLY BEFORE USE

KEEP FOR FUTURE REFERENCE

SAFE OPERATION PRACTICES

Training

- a) Read the instructions carefully. Make sure you understand the instructions and are familiar with the controls and the proper use of the appliance;
- b) Never allow people unfamiliar with these instructions or children to use the appliance. Local regulations can restrict the age of the operator;
- c) The operator or user is responsible for accidents or hazards occurring to other people or their property

Preparation

- a) Ensure the correct installation of the automatic perimeter delineation system as instructed.
- b) Periodically inspect the area where the appliance is to be used and remove all stones, sticks, wires, bones, and other foreign objects.
- c) Periodically visually inspect to see that the blades, blade bolts and cutter assembly are not worn or damaged. Replace worn or damaged blades and bolts in sets to preserve balance.
- d) On multi-spindle appliances, take care as rotating one blade can cause other blades to rotate.

OPERATION

1. GENERAL

- a) Never operate the appliance with defective guards, or without safety devices, for example deflectors, in place;
- b) Do not put hands or feet near or under rotating parts. Keep clear of the discharge opening at all times;
- c) Never pick up or carry an appliance while the motor is running;
- d) Turn off the machine.
 - Before clearing a blockage.
 - Before checking, cleaning or working on the appliance.
- e) It is not permitted to modify the original design of robotic lawnmower. All modifications are made at your own risk.
- f) Start robotic lawnmower according to the instructions. When the main switch is in the ON position, make sure you keep your hands and feet away from the rotating blades. Never put your hands and feet under the mower.
- g) Never lift up robotic lawnmower or carry it around when the main switch is in the ON position.
- h) Do not let persons who do not know how robotic lawnmower works and behaves use the mower.
- i) Do not put anything on top of robotic lawnmower or its charging station.
- j) Do not allow robotic lawnmower to be used with a defective blade disc or body. Neither should it be used with defective blades, screws, nuts or cables.
- k) Do not use robotic lawnmower if the main switch does not work.
- l) Always switch off robotic lawnmower using the main switch when you do not intend to use the mower. Robotic lawnmower can only start when the main switch is moved to the ON position and the correct PIN code has been entered.

2. ADDITIONALLY WHEN THE APPLIANCE IS OPERATING AUTOMATICALLY

- a) Do not leave the machine to operate unattended if you know that there are pets, children or people in the vicinity.

3. ADDITIONALLY WHEN USING THE MANUAL CONTROLLER

- a) Mow only in daylight or in good artificial light;
- b) Avoid operating the equipment in wet grass;
- c) Do not operate the appliance when barefoot or wearing open sandals. Always wear substantial footwear and long trousers;

- d) Always be sure of your footing on slopes;
- e) Use extreme caution when reversing the appliance towards you;
- f) Always switch on the motor according to instructions with feet well away from the blades(s);

MAINTENANCE AND STORAGE



WARNING! When the mower is turned upside down the main switch must always be set to the OFF position.

The main switch should be set to the OFF position during all work on the mowers under frame, such as cleaning or replacing the blades.

- a) Keep all nuts, bolts and screws tight to be sure the appliance is in safe working condition;
- b) Inspect the robotic lawnmower each week and replace worn or damaged parts for safety;
- c) Check especially that the blades and blade disc are not damaged. Replace all blades and screws at the same time if necessary so that the rotating parts are balanced.
- d) Ensure that only replacement cutting means of the right type are used;
- e) Ensure that batteries are charged using the correct charger recommended by the manufacturer. Incorrect use may result in electric shock, overheating or leakage of corrosive liquid from the battery;
- f) In the event of leakage of electrolyte flush with water/neutralizing agent, seek medical help if it comes into contact with the eyes etc;
- g) Servicing of the appliance should be according to manufacturers instructions.

Transport

The original packaging should be used when transporting robotic lawn mower over long distances.

To safely move from or within the working area:

- a) Press the STOP button to stop the mower. If the anti-theft alarm is activated, enter the first digit of the PIN code. You select the four digit PIN code when you start the mower for the first time.
- b) Move the main switch to the OFF position if you intend to carry the mower.
- c) Carry the mower by the handle at the rear under the mower. Carry the mower with the blade disc away from the body.

1.2 Information on the Landroid® M



WARNING - Robotic lawnmower can be dangerous if incorrectly used.

Read through the Operator's manual carefully and understand the content before using your robotic lawnmower.



WARNING - Keep a safe distance from the machine when operating.



WARNING - Operate the disabling device before working on or lifting the machine.

Keep your hands and feet away from the rotating blades. Never place your hands or feet close to or under the body when robotic lawnmower is in operation.

Robotic lawnmower can only start when the ON/OFF button press ON and the correct PIN code has been entered. Inspection and /or maintenance must be carried out with the main switch set to OFF.



WARNING - Do not ride on the machine.



Don't litter to fire



Don't throw into water



Batteries should be recycled



Li-Ion

Batteries contain Li-ion, Waste batteries should be sorted for eco-friendly. Do not dispose of waste batteries as unsorted municipal waste.



Waste electrical products should not be disposed of with household waste. Please recycle where facilities exist. Check with your Local Authority or retailer for recycling advice.

2. Technical Data and Component List


2.1 Technical data

Type: **WG794E (790-799-Designation of machinery, representative of lawn mowing robot)**

Rated voltage	28V \equiv Max*
No load speed	2800/min
Cutting diameter	180mm
Cutting height	20-60mm
Cutting height positions	5
Battery type	Lithium-ion
Battery model	WA3225
Charging time	1.5h approx.
Charger model	WA3716
Charger rating	Input: 100-240V~50/60Hz, 50W,
	Output: 24-28V Dc, 1.5A
Machinery weight	8.3kg
Protection degree	IPX4

*Voltage measured without workload. Initial battery voltage reaches maximum of 28 volts. Nominal voltage is 25.2volts.

Noise and technical data

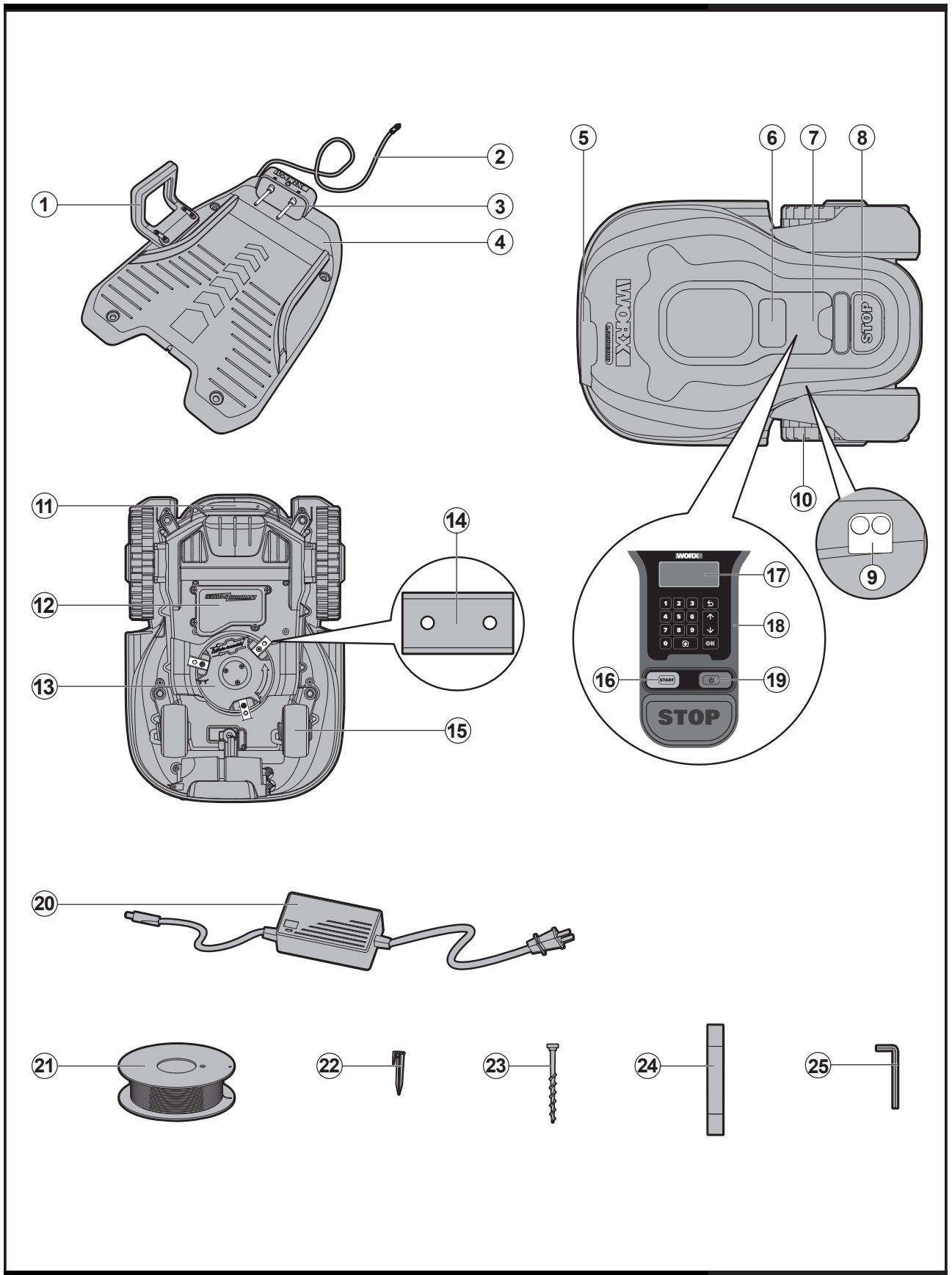
A weighted sound pressure	44.5dB(A), K_{PA} : 3.25dB(A)
A weighted sound power	63dB(A)
Wear ear protection when sound pressure is over	80dB(A) 

Accessories

Charging Base with 15m Extension Cable	1pc
Cutting Blades and Screws	9pc
Wire Pegs	200pc
180m Boundary Wire	1pc
Charging Base Fixing Nails	4pc
Power Adaptor	1pc
Boundary Wire Distance Gauge	1pc
Hex Key	1pc

We recommend that you purchase genuine accessories listed in the above list from the same store that sold you the tool. Use good quality accessories marked with a well-known brand name. Refer to the accessory packaging for further details. Store personnel can assist you and offer advice.

2.2 Component List



-
- 1. HANDLE BAR**

 - 2. LOW VOLTAGE CABLE**

 - 3. CONTACT PINS**

 - 4. CHARGING BASE**

 - 5. CHARGING STRIP**

 - 6. DISPLAY WINDOW**

 - 7. CONTROL PANEL COVER**

 - 8. STOP BUTTON**

 - 9. RAIN SENSOR**

 - 10. DRIVING WHEEL**

 - 11. HANDLE**

 - 12. BATTERY PACK**

 - 13. BLADE TURNING DISC**

 - 14. CUTTING BLADE**

 - 15. FRONT WHEEL**

 - 16. START KEY**

 - 17. DISPLAY**

 - 18. KEYPAD**

 - 19. ON/OFF KEY**

 - 20. POWER ADAPTOR**

 - 21. BOUNDARY WIRE (180m)**

 - 22. WIRE PEGS**

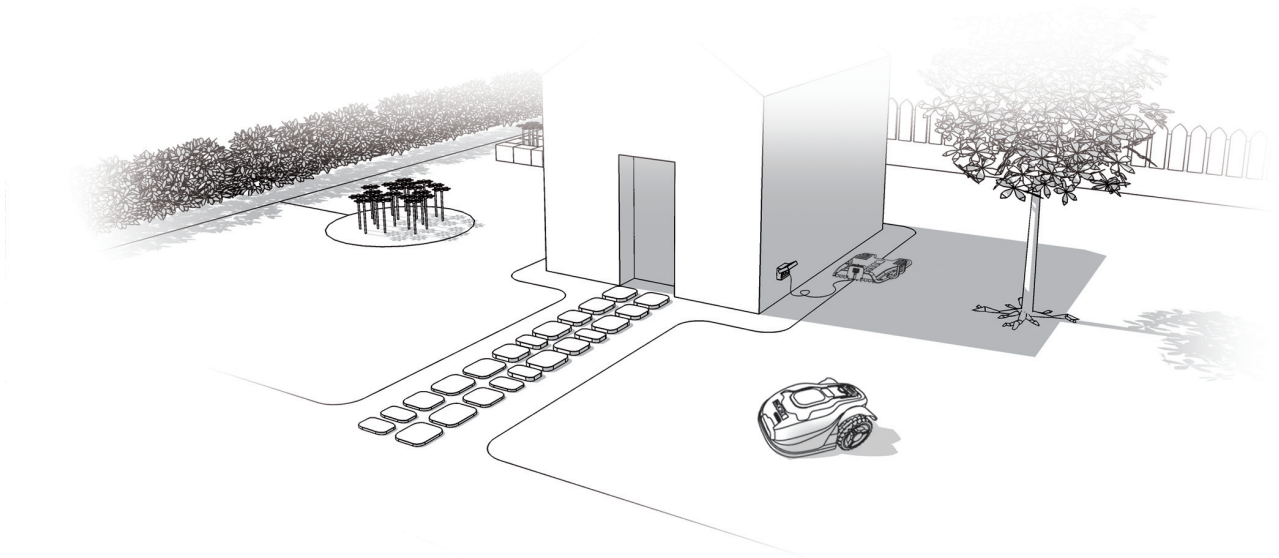
 - 23. CHARGING BASE FIXING NAILS**

 - 24. BOUNDARY WIRE DISTANCE GAUGE**

 - 25. HEX KEY**
-

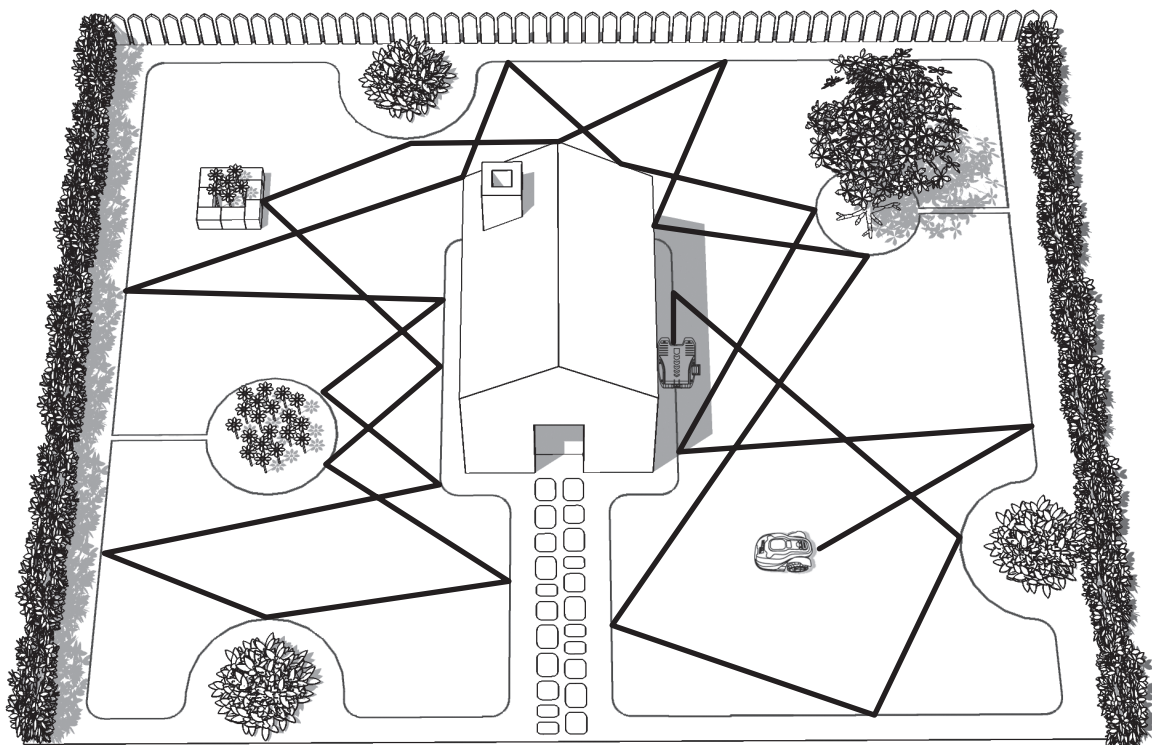
3. Understanding Your Landroid® M

We would like to congratulate you on your new purchase of the Landroid® M and entering into the care-free life of automatic mowing. In the following, We would like to help you better understand how your Landroid® M thinks.



3.1 How does my Landroid® M know what to mow?

The Landroid® M chooses its direction at random and never repeats the same mowing direction. It will make sure your entire lawn is evenly mowed without leaving behind any unattractive mowing paths (See Fig. A).



A

3.2 How does my Landroid® M know where to go?

Your Landroid® M is capable of doing things on its own. The Landroid® M knows when it needs to go to its Charging Base (4) to charge, can sense when it is raining, can stop itself if it senses a problem, and knows to stop and turn around when it bumps into something blocking its path, such as a person, pet, or other object. The Landroid® M will also automatically stop its Blade Turning Disc (13) from rotating if it is lifted off the ground to prevent an accident.

A. Finding the charging base

When your Landroid® M needs to recharge, it will stop mowing and follow the Boundary Wire (21) in an anti-clockwise motion back to its Charging Base. To save energy, the Landroid® M chooses not to rotate its Blade Turning Disc when returning to its Charging Base.

B. Rain sensors

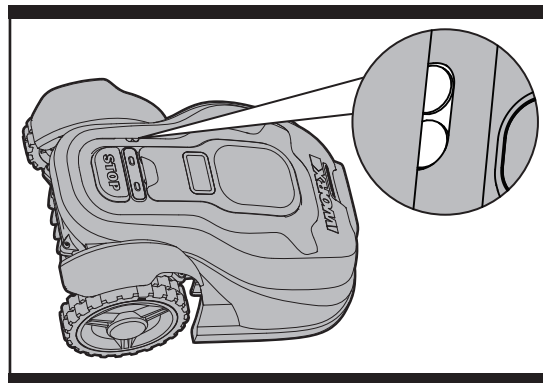
The Landroid® M has a Rain Sensor (9) at its side that will sense rain drops and tell the Landroid® M to stop mowing and follow the Boundary Wire back to its Charging Base (See Fig. B). The Landroid® M is programmable to have a delay start function (0 – 180 mins) when it rains. When the rain sensors are wet, the Landroid® M returns to its docking station. Only when the rain sensors become dry will the Landroid® M begin the delay start countdown or return to mowing immediately. See the Programming and Troubleshooting Guide for more details.

C. Sensing the boundary wire

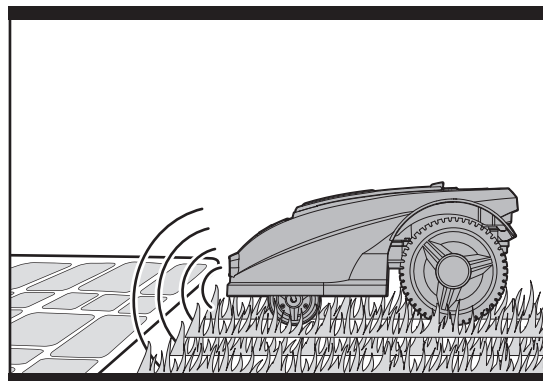
The Landroid® M always obeys the border set by the Boundary Wire and uses two sensors at its front to sense when it is getting close (See Fig. C). Before changing direction, the Landroid® M will overrun the Boundary Wire up to 20cm*. *This is the recommended distance. Use the provided distance gauge to ensure proper installation.

D. Starting and stopping while mowing

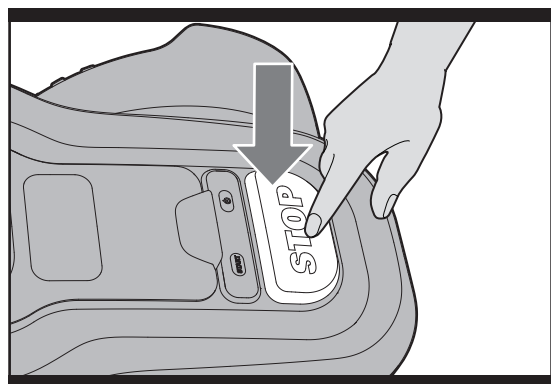
If you would like to command the Landroid® M to stop mowing, then simply press the STOP button (8) on top of the mower. To start mowing, press the ON/OFF key, press start key directly or open the Control Panel Cover and input your further commands, at last press START key (See Fig. D,E).



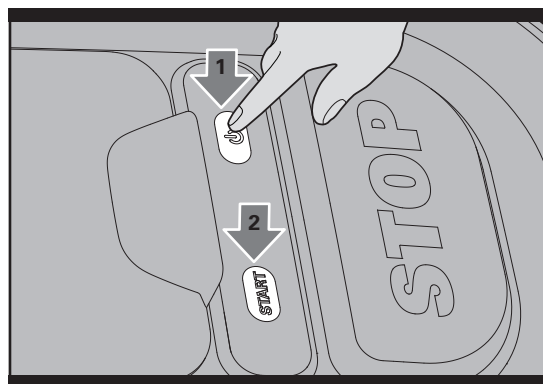
B



C



D



E

If the Landroid®M senses that something is wrong, it will display a fault message on the Display (16), and will turn itself off if it does not receive any input from the user within 20 min (for information on fault messages refer to the Programming and Troubleshooting Guide).

To resume:

- Correct the problems.
- Press ON/OFF Key (19).
- Press START Key.
- Now the Landroid®M will begin to mow!

3.3 How big of an area can my Landroid®M mow?

Your Landroid®M is capable of mowing areas of up to around 1000m², although this depends on various factors, such as:

- Species of grass in your lawn and its growth rate.
- Sharpness of the Cutting Blades (14).
- Humidity.
- Surrounding temperature.
- Amount of obstacles in your Lawn.

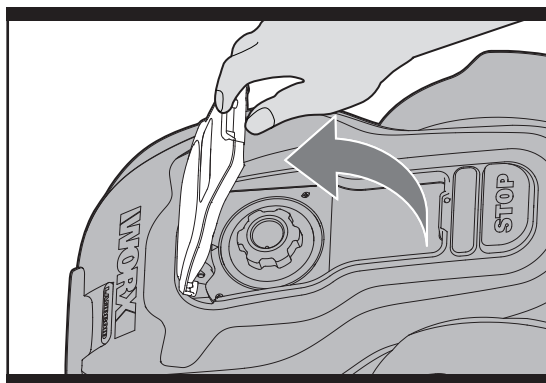
If the surrounding temperature is very hot where you live then your Landroid®M may charge at a slightly slower rate. The Landroid®M uses less energy in open areas that have fewer obstacles, such as flower beds, fountains, walkways, etc... See the chart below for mowing time suggestions depending on the area of your lawn:

Area(m ²)	Recommended mowing time per day(hour)
200	4
500	13.5
1000	27

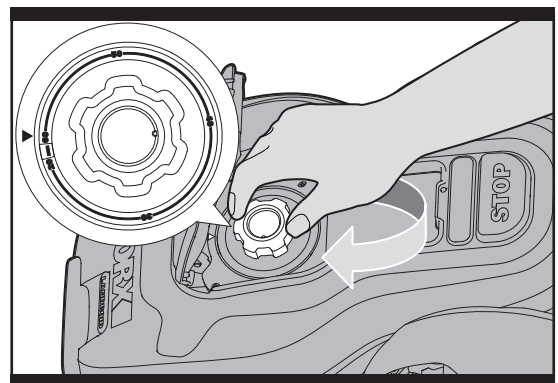
Mowing time are different for every lawn depending on the factors mentioned previously. Gradually adjust the time you allow your Landroid®M to mow each day until you find most suitable setting.

3.4 How efficiently will my Landroid®M mow the grass?

The Landroid®M's cutting height can be adjusted between 2cm - 6cm. Before starting your Landroid®M for the first time, you should cut the grass to the height not more than 9 cm. Then make sure you open the Control Panel Cover (7) and set the cutting height to its maximum cutting height of 6cm (See Fig. F, G).



F



G

Your Landroid®M will cut its best in dry weather. It does not like wet grass, which can build up on the Blade Turning Disc (13) and within the motor, and can also cause loose traction and slippage while working. Your Landroid®M is afraid of Lightening Storms. In case of a Lightening Storm, protect the Landroid®M by unplugging the Charging Base (4), disconnecting the Boundary Wire (21), and making sure the Landroid®M is not allowed to charge.

Your Landroid®M loves mowing grass and needs its Cutting Blades (14) kept in good condition to cut its best. The Landroid®M can do most things by itself, but will need your help sometimes to keep from hurting itself.

- Never let the Landroid®M travel over gravel.
- Remove or block off obstacles that the Landroid®M could accidentally climb and hurt its Blade Turning Disc on.
- Remove all debris and foreign objects from your lawn.

4. Boundary Wire Basics

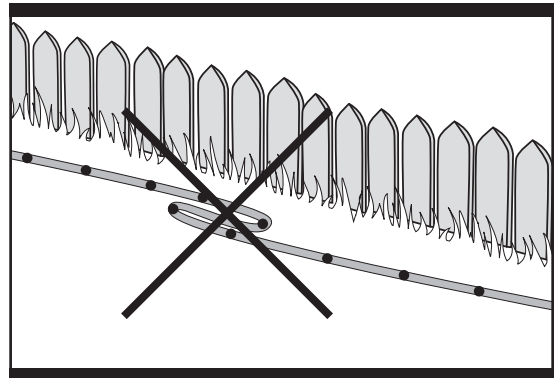
4.1 Pegging the Boundary Wire

Use the Boundary Wire Distance Gauge (24) to set the correct distance from the border of your lawn (approx. 35cm*).

* This is the recommended distance. Use the provided distance gauge to ensure proper installation.

If your neighbor also uses a Landroid®M, then you must keep a spacing of at least 4.5 metres between your Boundary Wire and your neighbors.

Please be aware that your Landroid®M will not be able to receive a signal from the Boundary Wire beyond the distance of 18 m.



H

The boundary wire must outline the intended mowing area exactly. Your Landroid®M will become confused by extra bends or coils of Boundary Wire that are not part of its mowing area (See Fig. H). If there is excess Boundary Wire after the mowing area has been outlined, then cut it off and store this additional wire in a separate location. However, it is important to leave the necessary length where it connects to the Charging Base so it can be connected and still remain buried.

4.2 Burying the Boundary Wire

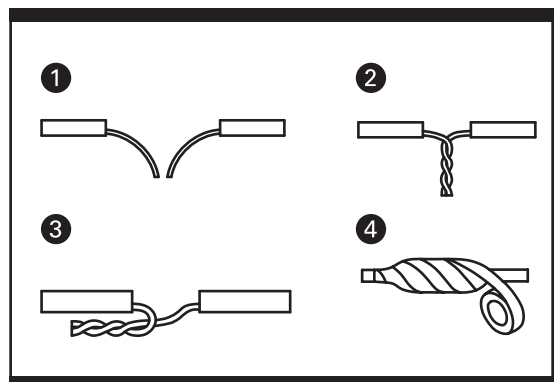
We recommend that you bury your boundary wire a few centimeters underground. This will ensure trouble-free operation year after year, season after season. For burying the Boundary Wire you may purchase the optional WORX Territorial Marker Tool accessory at the same store that sold you your Landroid®M.

If you are planning to bury the Boundary Wire then it should be noted that when entering its Charging Base for the first time, your Landroid®M may find problems with the way you have laid the wire. It is recommended to first peg down the Boundary Wire to the lawn so it is easy to make adjustments if necessary. This will allow the Landroid®M to become adjusted to its new environment and ensures it will successfully work with the charging base before the Boundary Wire is buried.

4.3 Joining the Boundary Wire

IMPORTANT: The Boundary Wire will not work properly if it is joined to extend over a distance of 200m.

The Boundary Wire (21) can be extended simply by splicing the ends and connecting it to the ends of another piece of wire. You can use scotch tape to secure the joined part of the wire. (See Fig. I)



I

4.4 Turn on and test installation

If the green light does not come on, then check the power connections.

If the LED is flashing green, check if the boundary wire is connected well.

Red light on: charging.

Red light flashing: error message, correct the problems.

If your Landroid®M is inside its territory but the display says "out of cutting area" and the LED is green, it means you clamped the boundary wire ends incorrectly. Just reverse them.

5. Maintenance

Your Landroid®M needs to be checked from time to time. The Landroid®M works hard and after time needs a good cleaning as well as to have its parts replaced, as they can become worn. In the following we want to let you know how to take care of your Landroid®M.

5.1 Battery life

The heart of the Landroid®M is its 28-volt lithium-ion battery. No maintenance is required. For proper storage of the battery, make sure it is fully charged in kept in a cool dry place between (20°C-60°C).

The life-span of the Landroid®M's battery depends on various factors, such as:

- How long the mowing season last in your region
- Amount of hours the Landroid®M mows per day
- How to maintain your battery while in storage

For manually charging without the boundary wire, please follow the below steps:

1. Connect the Charging Base to a suitable power supply
2. Manually dock the Landroid®M within the Charging Base while the Landroid®M is powered off.
3. The red light will flash for 3 seconds; then press the Power Button and the Landroid®M will begin to charge.

5.2 Winter hibernation

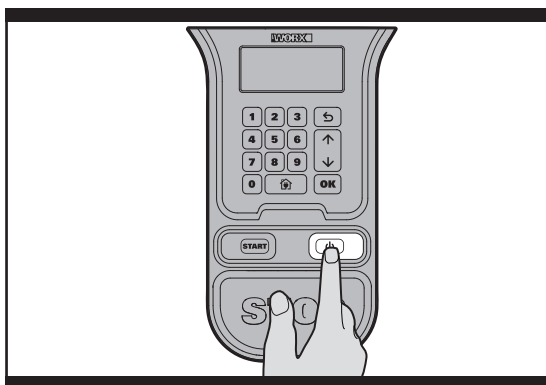
Your Landroid®M will live longer and healthier if it is allowed to hibernate. So even though it is tough, we would recommend that you store your Landroid®M in your shed or garage during the winter.

Before you set your Landroid®M away for winter hibernation, you should make sure to:

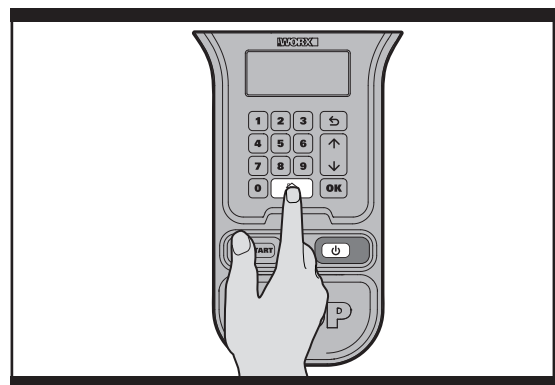
- Thoroughly clean your Landroid®M.
- Fully charge the battery.
- Turn the power off.

To maximize the battery's life, it is recommended to fully charge the battery before storage during winter. To only charge the battery you:

- Connect the Boundary Wire (21) to the Charging Base (4).



J

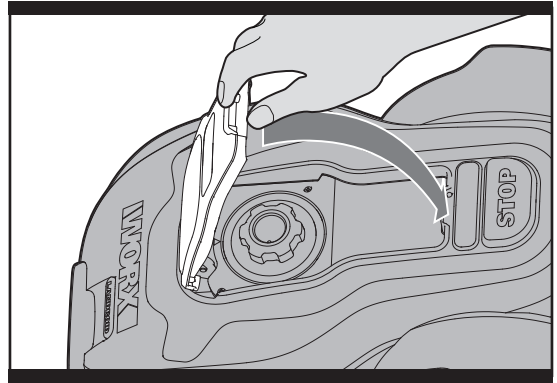


K

- Connect the Charging Base to a power source.
- Place the Landroid®M in the Charging Base.
- Press the On/Off Key. (See Fig. J)
- Then press the Home Key. (See Fig. K)
- Close the Control Panel Cover. (See Fig. L)
- Allow the Landroid®M to charge for at least 1.5 hrs.

The Boundary Wire can be left in the ground although its ends should be protected, such as placed in a tin can with grease. If the Charging Base is left outside for winter, leave the Boundary Wire connected.

NOTE: Before storing for winter, you can take your Landroid®M to a dealer for a thorough cleaning and tune-up, where its functions will be tested and worn parts will be replaced.



L

When bringing the Landroid®M back to work after winter hibernation, make sure the Charging Strips (5) and Contact Pins (3) are clean, it is recommended to use a fine grade emery cloth to clean. Then make sure the date and time are correct and send the Landroid®M back to what it loves doing: mowing.

5.3 Keep it clean

! WARNING: Before cleaning turn your Landroid®M OFF by pressing the ON/OFF Button. Put on protective gloves before cleaning the Blade Turning Disc (13) and do not use running water. (See Fig. J,K,L)

A. Cleaning the body

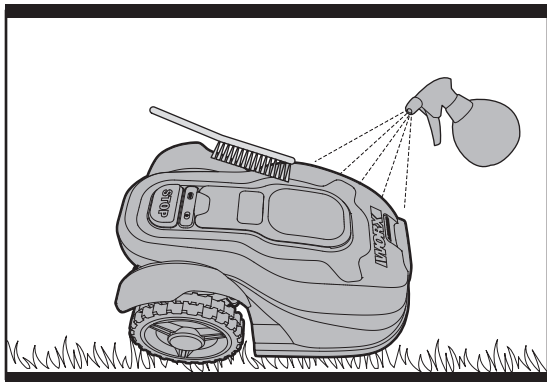
Your Landroid®M will live a much happier and longer life if it is cleaned regularly. Although, as your Landroid®M is an electric machine, you will need to take care when cleaning, so **DO NOT** use a hose or otherwise pour running water on your Landroid®M, it is best to use a spray bottle filled with water. When cleaning the machine body use a soft brush or clean cloth and avoid using solvents or polishes (See Fig.M) .Lastly, make sure that you remove all build up of grass clippings and debris.

B. Cleaning the Underside

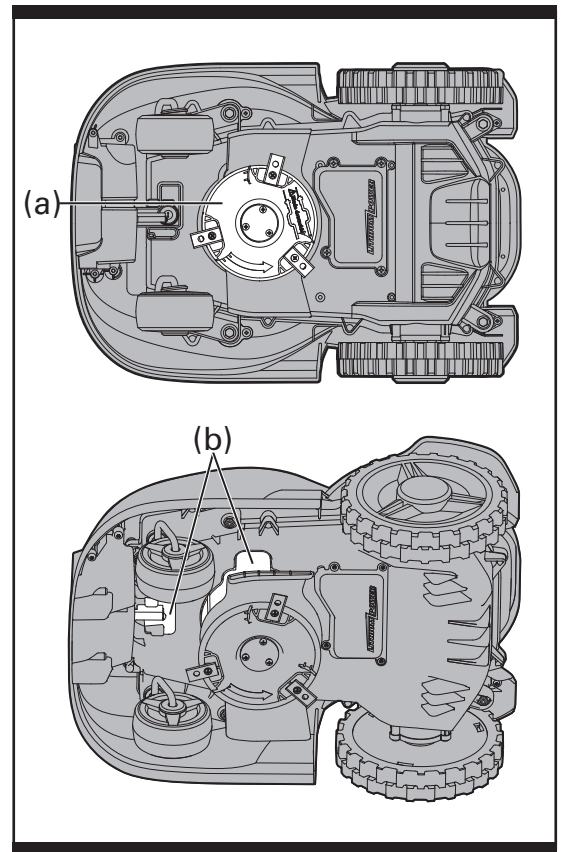
Again, it is important that you power the Landroid®M OFF using the ON/Off Button and **wear protective gloves before touching the Blade Turning Disc (13).**

First, flip your Landroid®M upside down to expose its underside. Here you will see the Blade Disc (a), the chassis (b), and the Front (15) and Driving (10) Wheels. Clean everything thoroughly with a soft brush or moist rag.(See Fig.N)

Rotate the Blade Disc to make sure it moves freely and that there is not anything lodged between it and the surrounding Motor Frame Box. Also, make sure the Blades are able to spin freely and that there's no grass obstructing them.



M



N

IMPORTANT: Remove any lodged debris so that it does not cause a crack in the Blade Disc. Even the tiniest crack can decrease your Landroid®M's mowing output.

C. Clean the contact pins and the charging strips

Clean the Contact Pin (3) located on the Charging Base (4) and the Charging Strip (5) located on the Landroid®M using a cloth. Remove any build up of grass clippings and debris around the contact pins and charge strips periodically to ensure the Landroid®M successfully charges each time.

5.4 Keep it sharp

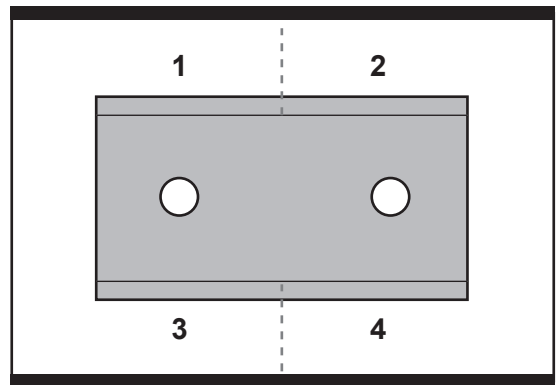


WARNING: Before cleaning, adjusting, or replacing the Blades, turn your Landroid®M OFF by pressing the ON/OFF Button to OFF and put on protective gloves.



WARNING! For blade replacement, make sure you replace ALL the blades every time. If the blade is new but the screw has been reused, then the screw can wear off while mowing causing the blade to fly off the mower violently. This could cause serious injury.

The Landroid®M does not cut grass like other mowers. Its Cutting Blades (14) are razor sharp on all 4 edges and spin in both directions for maximum cutting capacity (See Fig.O). Each blade of your Landroid®M has 4 cutting edges. Depending on the frequency the Landroid®M mows your lawn, the cutting blades will need to be flipped/rotated periodically for a new cutting edge. If your Landroid®M is programmed to mow the lawn every day then the cutting blades will need to be rotated monthly for the best mowing results. Each cutting blade will last up to 4 months when it is programmed to mow every day. When the cutting blades are dull and worn out, they should be replaced with the spare blades provided with your Landroid®M. Spare blades are also available at your nearest WORX retailer.



O

A. Rotate and flip the blades

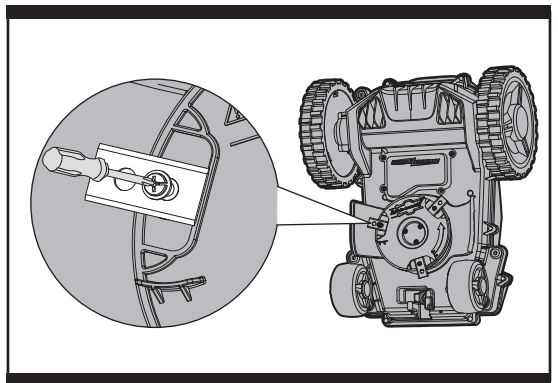
Your Landroid®M carries 3 Blades that are all screwed onto your its Blade Turning Disc (13). The Blades are what let the Landroid®M do its job and need care and attention. Every once in awhile, you should simultaneously rotate and flip all 3 blades for a perfect cut. When rotating and flipping the Blades, make sure all the Blades are adjusted at the same time or else it could make the Blade Disc off balance. If your Landroid®M mows on a normal schedule (daily) then the Blades should last one season if they are rotated and flipped every month. Always check to see if the Blades are chipped or damaged and replace them if they are.

B. Replace the blades

After some time, usually every season, your Landroid®M's Blades will need to be replaced. Your Landroid®M does not like mowing while using Blades of different age and quality. So when replacing the Blades, make sure to replace all of them at the same time. You can replace them with one of the three spare Blade kits and extra Blade screws supplied with your Landroid®M.

Before attempting to replace your Landroid®M's Blades, turn the power off and put on protective gloves. Then follow these steps:

1. Gently flip the Landroid®M over.
2. Take the screws off the Blades with a straight or Phillips screwdriver.
3. Firmly screw on the new Blades.(See Fig. P)



P

IMPORTANT: After screwing the Blade to the Blade Disc, make sure the Blade is able to spin freely.

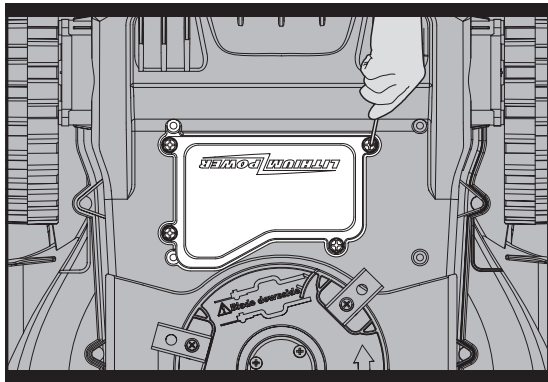
5.5 Replacing the battery



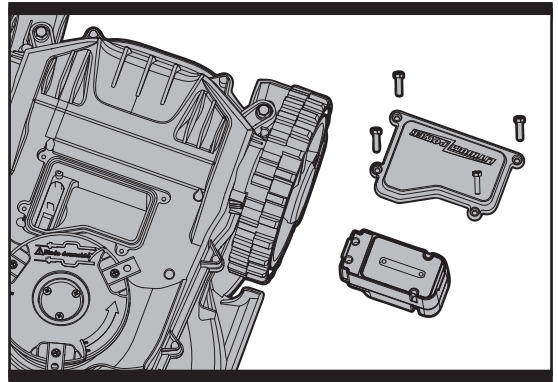
WARNING: Press the ON/OFF Key to OFF before attempting any adjustment, replacement or repair.

If you need to replace the Battery, follow these steps:

1. Gently Turn your Landroid®M upside down.
2. Remove the four screws on the battery. (See Fig. Q)
3. Take out the old battery. (See Fig. R)
4. Put in the new battery.
5. Firmly replace the 4 screws.



Q



R

Environmental Protection



Waste electrical products should not be disposed of with household waste. Please recycle where facilities exist.



Check with your Local Authority or retailer for recycling advice.

Plug Replacement (UK & Ireland Only)

If you need to replace the fitted plug then follow the instructions below.

IMPORTANT

The wires in the mains lead are colored in accordance with the following code:

Blue - Neutral

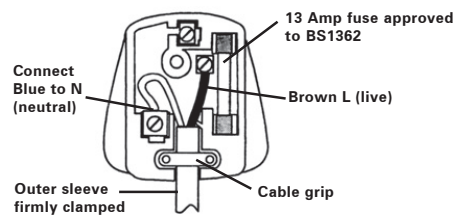
Brown - Live

As the colors of the wires in the mains lead of this appliance may not correspond with the coloured markings identifying the terminals in your plug, proceed as follows. The wire which is coloured blue must be connected to the terminal which is marked with N. The wire which is coloured brown must be connected to the terminal which is marked with L.



WARNING: Never connect live or neutral wires to the earth terminal of the plug. Only fit an approved BS1363/A plug and the correct rated fuse.

NOTE: If a moulded plug is fitted and has to be removed take great care in disposing of the plug and severed cable, it must be destroyed to prevent engaging into a socket.



Declaration of Conformity

We,
POSITEC Germany GmbH Konrad-Adenauer-Ufer 37 50668 Köln

Declare that the product
Description **WORX Lawn Mowing Robot**
Type **WG794E (790-799-Designation of machinery, representative of lawn mowing robot)**
Function **Cutting grass**

Complies with the following Directives,
Machinery Directive **2006/42/EC**
Electromagnetic Compatibility Directive **2004/108/EC**
RoHS Directive **2011/65/EU**
Noise Emission in the Environment by Equipment for Use Outdoors Directive
2000/14/EC amended by 2005/88/EC

Conformity Assessment Procedure as per **Annex V.**
Measured Sound Power Level: **61.95dB(A)**
Declared Guaranteed Sound Power Level: **63dB(A)**

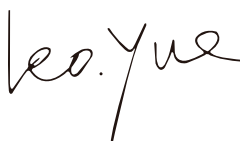
Standards conform to,

EN ISO 12100-1
EN ISO 12100-2
EN ISO 14121-1
EN ISO 3744
EN 55014-1
EN 55014-2

The person authorized to compile the technical file,

Name Russell Nicholson
Address Positec Power Tools (Europe) Ltd, PO Box 152, Leeds, LS10 9DS, UK

17



2012/12/24
Leo Yue
POSITEC Quality Manager

PIN Code Area:

ORIGINAL BRUGSANVISNING

INHALT

1. Sikkerhedsvejledninger	19
1.1 Generelle og særlige sikkerhedsvejledninger	19
1.2 Oplysninger om din Landroid®M	21
2. TEKNISKE DATA OG PAKKENS INDHOLD	22
2.1 Tekniske data	22
2.2 Komponentliste	23
3. Lær din Landroid®M at kende	25
3.1 Hvordan ved min Landroid®M hvilken græsområder, den skal slå?	25
3.2 Hvordan ved min Landroid®M hvor den skal køre hen?	26
A. Sporing til opladestationen	26
B. Regn-sensorer	26
C. Sporing af grænsekablet	26
D. Start og standsning under kørsel	26
3.3 Hvor stort en græsplæne kan min Landroid®M slå?	27
3.4 Hvor effektivt vil min Landroid®M slå min græsplæne?	27
4. Grundlæggende om grænsekablet	28
4.1 Fastgørelse af grænsekablet til jorden	28
4.2 Nedgravning af grænsekablet	28
4.3 Sammenspænding af grænsekablet	28
4.4 Opstart og test af installationen	28
5. Vedligeholdelse	29
5.1 Batteriliv	29
5.2 Vinterdvale	29
5.3 Hold den ren	30
A. Rengøring af karosseriet	30
B. Rengøring af undersiden	30
C. Rengør kontaktpladerne og opladekontakterne	30
5.4 Hold den skarp	31
A. Drejning og vending af klingerne	31
B. Udskiftning af klingerne	31
5.5 Udskiftning af batteriet	32
6. Konformitetserklæring	33

1. Sikkerhedsvejledninger

1.1 Generelle og særlige sikkerhedsvejledninger

 **ADVARSEL: Læs alle sikkerhedsadvarslerne og alle vejledninger. Følges advarslerne og instruktionerne ikke, kan det føre til elektrisk stød, brand og/eller alvorlig personskade.**

Læs alle vejledninger omhyggeligt, så denne maskine betjenes på en sikker måde.

Gem alle advarsler og vejledninger til senere brug.

- Dette apparat er ikke beregnet til brug af personer (herunder børn), med begrænsede fysiske, sensoriske eller mentale evner, eller personer med manglende erfaring eller viden, medmindre de er blevet vejledt eller instrueret i hvordan apparatet bruges, af en person med ansvar for deres sikkerhed.
- Børn skal være under opsyn, for at sikre de ikke leger med apparatet.

VIGTIGT

LÆS FORSIGTIGT FØR BRUG

BEHOLD TIL SENERE BRUG

SIKKER BRUGSPRAKSIS

Brugsoplysninger

- a) Læs instruktionerne omhyggeligt. Sørg for, at du forstår vejledninger, og at du er bekendt med betjeningsknapperne og hvordan apparatet bruges ordentligt.
- b) Lad aldrig personer, som ikke er bekendte med disse vejledninger, eller børn bruge apparatet. Den lokale lovgivning kan begrænse alderen på brugeren.
- c) Brugeren er ansvarlig for mulige uheld og farlige situationer for andre personer og deres ejendom.

Forberedelse

- a) Sørg for, at områdeafgrænsningen udføres korrekt, som beskrevet i vejledninger.
- b) Efterse regelmæssigt områder, hvor apparatet skal bruges, og fjern alle sten, pinde, ledninger, knogler og andre genstande.
- c) Efterse regelmæssigt skæreklingen, boltene og samlingerne, og sørg for at de ikke er nedslidte eller beskadigede. Udskift nedslidte eller beskadigede skæreklinger og bolte i sæt, så du bibeholder balancen.
- d) På apparater med flere aksler, skal du være forsigtig når du drejer klingen, da den anden kan ske også at dreje.

BETJENING

1. GENERELT

- a) Brug aldrig apparatet med ødelagte skærme, eller uden at sikkerhedsanordningerne, så som afvigelsesskærmene, er på plads.
- b) Put ikke hænderne eller fødderne under drejende dele. Sørg altid for, at holde dig væg fra udstødningsåbningen.
- c) Saml ikke ting op, eller bær på ting, mens apparatets motor kører.
- d) Sluk for maskinen
 - Før du renser maskinen for blokerende elementer.
 - Før du efterser, rengøre eller arbejder på apparatet.
- e) Det er ikke tilladt, at ændre på græsslåmaskinens originale design. Alle ændringer som laves er på dit eget ansvar.
- f) Start græsslåmaskinen som beskrevet i vejledninger. Når kontakten står på ON (tændt), skal du sørge for at holde dine hænder og fødder væk fra de drejende klinger. Put aldrig dine hænder eller fødder under græsslåmaskinen.
- g) Du må aldrig løfte græsslåmaskinen, eller bære rundt på den mens kontakten står på ON (tændt).
- h) Lad ikke personer, som ikke ved hvordan græsslåmaskinen virker og opfører sig, bruge den.
- i) Undgå, at stille ting oven på græsslåmaskinen eller dens opladestation.
- j) Undgå, at bruge græsslåmaskinen med en ødelagt klinge eller karrusseri. Og den må heller ikke bruges med ødelagte klinger, skruer, møtrikker eller kabler.
- k) Undgå, at bruge græsslåmaskinen, hvis kontakten ikke virker.
- l) Sluk altid for græsslåmaskinen på kontakten, når du ikke har i sinde at bruge den. Græsslåmaskinen kan kun starte når kontakten står på ON (tændt), og den rigtige PIN-kode er blevet indtastet.

2. NÅR APPARATET BRUGES AUTOMATISK

- a) Efterlad ikke maskinen i brug uden opsyn, hvis du ved der er kæledyr, børn eller andre personer i nærheden.

3. NÅR APPARATET BRUGES MANUELT

- a) Slå kun græsset i dagstimerne, eller hvis der er tilstrækkeligt med kunstig lys.
- b) Undgå, at bruge apparatet i vådt græs.

- c) Undgå, at bruge apparatet når du går med bare fødder, eller åbne sandaler. Brug altid passende fodtøj og langbukser.
- d) Sørg altid for, at du står sikker på skråninger.
- e) Vær yderst forsigtig, når du bakker apparatet mod dig selv.
- f) Tænd altid for motoren, som beskrevet i vejledningerne, med fødder væk fra klingerne.

VEDLIGEHOLDELSE OG OPBEVARING



ADVARSEL! Når græsslåmaskinen vender på hovedet, skal kontakten altid stå på OFF (slukket).

Kontakten skal hele tiden stå på OFF (slukket), når der arbejdes på græsslåmaskinens underside, f.eks. når du skal rengøre eller skifte klingerne.

- a) Sørg for, at alle møtrikker, bolte og skruer sidder ordentlig fast, så du sikrer at apparatet er sikker stand.
- b) Efterse græsslåmaskinen hver uge, og skift nedslidte eller ødelagte dele.
- c) Kontroller, at klingerne og klingskiven ikke er beskadigede. Skift alle klinger og skruer på samme tid, så de drejende dele er balancerede.
- d) Sørg for, at du udskifter skæreelementerne med den rigtige type.
- e) Sørg for, at batterierne oplades med den rigtige oplader, som er blevet anbefalet af producenten. Forkert brug kan føre til elektrisk stød, overophedning eller udslip af ætsende væsker fra batteriet.
- f) I tilfælde af udslip af elektrolyt, skal du skylle med vand/neutraliserende middel, og søg lægehjælp hvis det kommer i kontakt med dine øjne.
- g) Reparation af apparatet skal ske i henhold til producentens vejledninger.

Transport

Når græsslåmaskinen skal transporteres over længere afstande, skal du bruge originalemballagen.

Sådan flyttes græsslåmaskinen sikker fra eller indenfor arbejdsområdet:

- a) Tryk på STOP knappen for at standse plæneklipperen. Hvis tyverialarmen aktiveres, indtast det første ciffer af PIN-koden. Du vælger den firecifrede PIN-kode, når du starter plæneklipperen første gang.
- b) Stil kontakten på OFF (slukket), hvis du har i sinde at løfte græsslåmaskinen.
- c) Løft græsslåmaskinen i bærehåndtaget bagpå undersiden. Løft græsslåmaskinen med klingskiven væk fra kroppen.

1.2 Oplysninger om din Landroid® M



ADVARSEL - Robotplæneklippere kan være farlige, hvis de ikke bruges korrekt.

Læs betjeningsvejledningen omhyggeligt igennem og forstå indholdet, inden du bruger robotplæneklipperen.



ADVARSEL - Sørg for, at holde en sikker afstand fra maskinen når den er i brug.



ADVARSEL - Betjen inaktiveringsmekanismen, inden du arbejder med eller løfter maskinen.

Hold dine hænder og fødder væk fra de drejende klinger. Placer aldrig dine hænder eller fødder tæt på eller under karosseriet, når græsslåmaskinen er i brug.

Robotplæneklipperen kan kun starte, når ON/OFF knappen står på ON, og den korrekte PIN-kode er indtastet. Eftersyn og/eller vedligeholdelse må kun udføres, når ON/OFF (tænd/sluk) knappen står på OFF (slukket).



ADVARSEL - Du må ikke ride på maskinen.



Må ikke brændes



Må ikke dypes i vand



Batterierne skal genbruges



Li-Ion

Batterierne indeholder Li-ion. Sørg for at bortskaffe batterierne på en miljøvenlig måde. Batterierne må ikke smides ud sammen med almindelige husholdningsaffald.




Elektrisk affald må ikke smides ud sammen med dit almindelige husholdningsaffald. Du bedes venligst genbruge affaldet hvis muligt. Forhør dig hos din lokale kommune eller din forhandler vedrørende genbrug.

2. Tekniske data og pakkens indhold


2.1 Tekniske data

Type: **WG794E (790-799-udpegning af maskiner, repræsentant for Græsslående robot)**

Nominel spænding	28V  Maks.*
Hastighed uden belastning	2800/min
Skærediameter	180mm
Skæredybde	20-60mm
Antal stillinger til klippehøjden	5
Batteritype	Lithium-ion
Batteritype	WA3225
Opladningtid	ca. 1,5t.
Opladermodel	WA3716
Mærkekapacitet på opladeren	Indgang: 100-240V~50/60Hz, 50W, Udgang: 24-28V Dc, 1.5A
Maskinvægt	8.3kg
Isolationsklasse	IPX4

*Spændingen er målt uden arbejdsbelastning. Den indledende batterispænding når maksimalt op på 28 volt. Nominel spænding er 25.2 volt.

Støjinformation

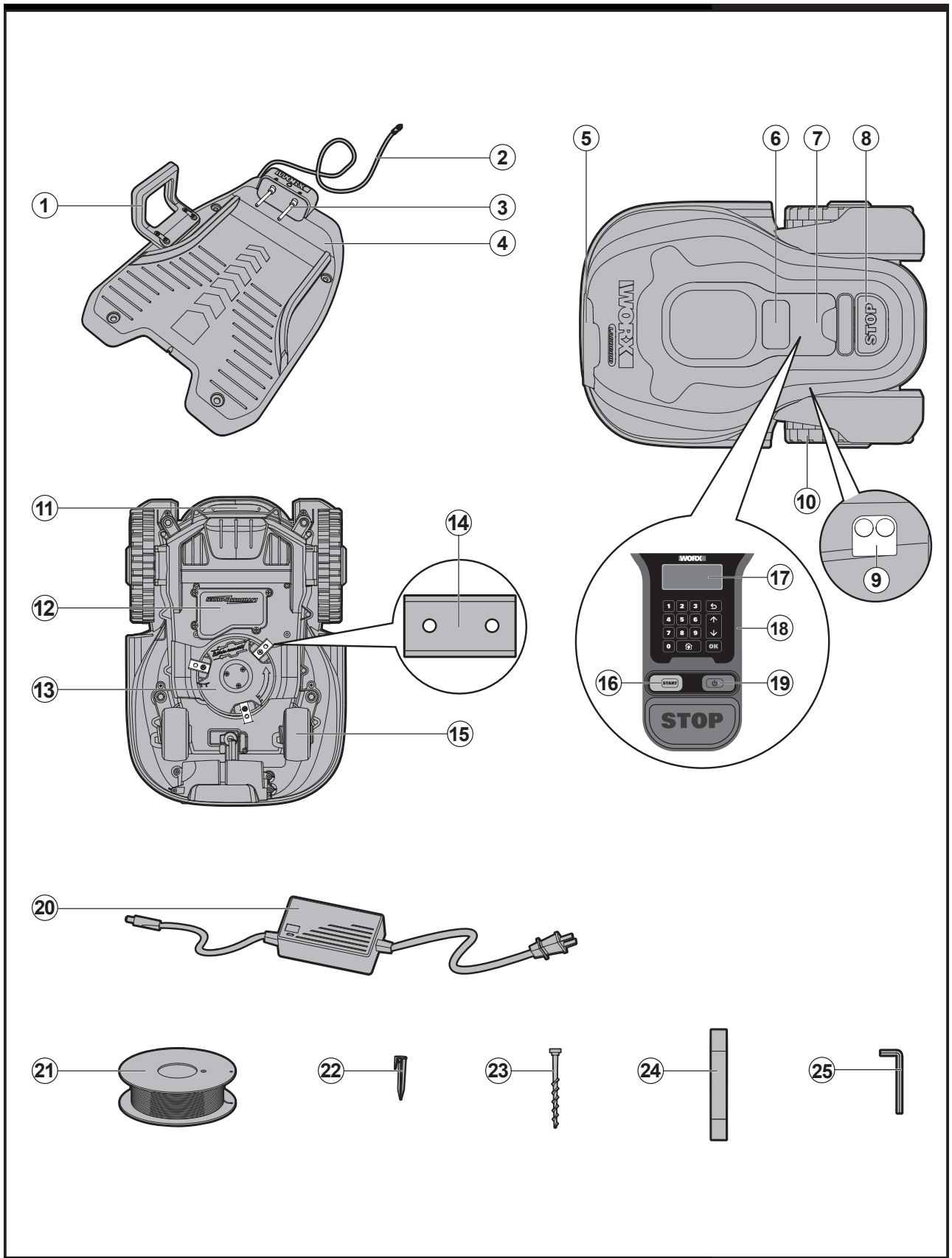
A vægtet lydtryksniveau	44.5dB(A), K_{PA} : 3.25dB(A)
A vægtet lydeffektniveau	63dB(A)
Bær høreværn, når lydtrykket er over	80dB(A) 

Tilbehør

Opladestation med 15m lang forlængerledning	1
Klinger og skruer	9
Pløkker til græsekabel	200
180m græsekablet	1
Fastspændingssøm til opladestationen	4
EI-ledning med AC/DC transformer	1
Afstandsmåler til græsekablet	1
Unbrakonøgle	1

Det anbefales, at alt udstyr købes i samme butik som maskinen. Anvend udstyr af god kvalitet og af et velkendt mærke. Vælg slibepapir afhængigt af opgaven. Se på emballagen til tilbehøret for at få yderligere oplysninger. Få hjælp og råd i butikken.

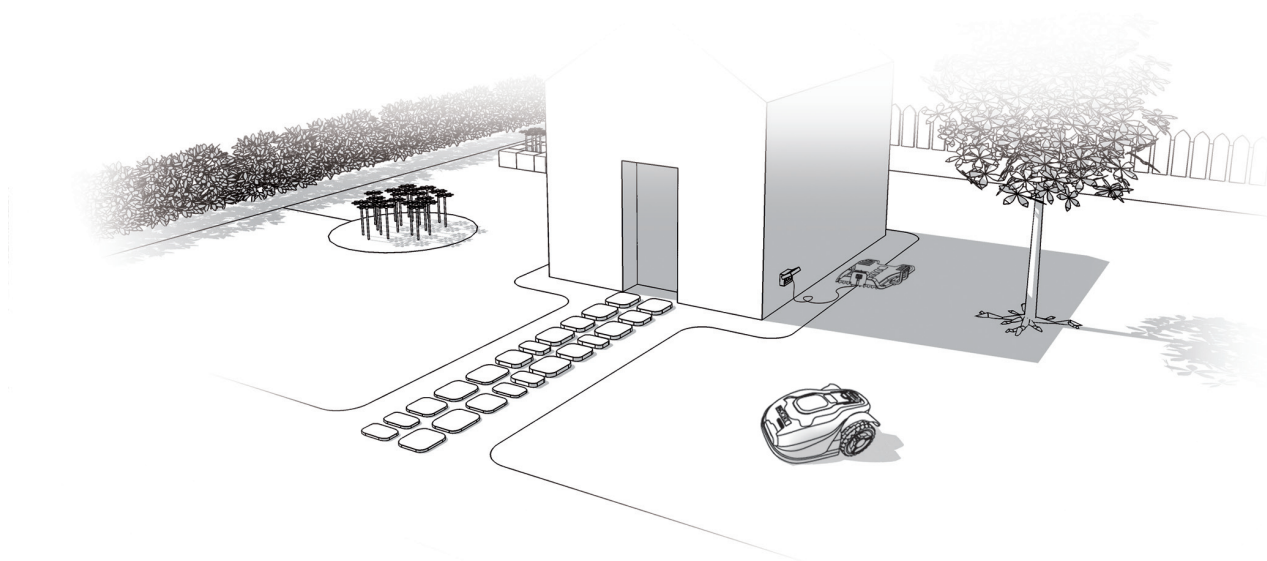
2.2 Komponentliste



-
- 1. HÅNDTAG**
 - 2. LAVSPÆNDINGSKABEL**
 - 3. KONTAKTBEN**
 - 4. OPLADEBASE**
 - 5. OPLADESTIK**
 - 6. SKÆRMVINDUE**
 - 7. LÅG TIL KONTROLPANEL**
 - 8. STOP-KNAP**
 - 9. REGN-SENSOR**
 - 10. KØREHJUL**
 - 11. HÅNDTAG**
 - 12. BATTERIPAKKE**
 - 13. DREJESKIVE TIL KLINGE**
 - 14. KLINGE**
 - 15. FORHJUL**
 - 16. START-KNAP**
 - 17. SKÆRM**
 - 18. TASTATUR**
 - 19. TÆND/SLUK-KNAP**
 - 20. STRØMADAPTER**
 - 21. GRÆNSEKABEL (180m)**
 - 22. PLØKKER**
 - 23. SKRUER TIL OPLADEBASEN**
 - 24. AFSTANDSMÅLER TIL GRÆNSEKABEL**
 - 25. UNBRAKONØGLE**
-

3. Lær din Landroid®M at kende

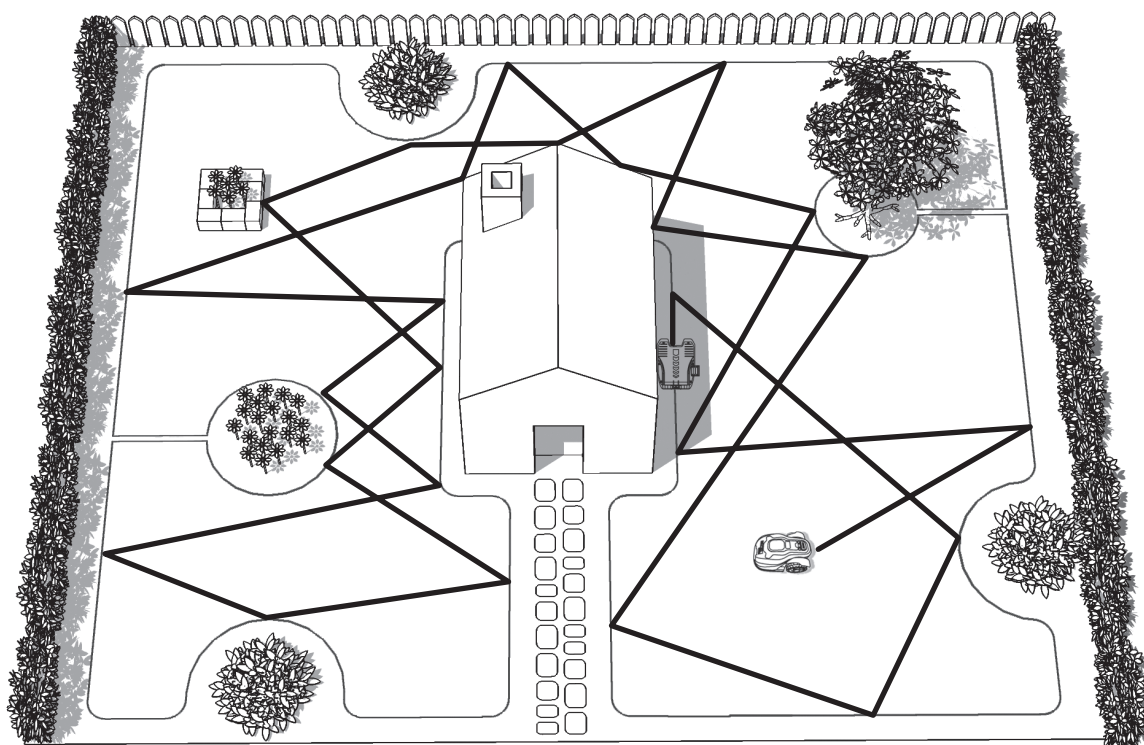
Tillykke med købet af din nye Landroid®M græsslåmaskine, og velkommen til en verden hvor græsset automatisk slår sig selv. I følgende afsnit hjælper vi dig med, at forstå hvordan din Landroid®M virker.



3.1 Hvordan ved min Landroid®M hvilken græsområde, den skal slå?

Din Landroid®M vælger tilfældigt sin retning, og den gentager aldrig den samme retning. Den slår din plæne på en jævn måde, og efterlader ikke nogen grimme lange strå omkring. (Se Fig. A)

25



A

3.2 Hvordan ved min Landroid® M hvor den skal køre hen?

Din Landroid® M er i stand til at gøre tingene selv. Din Landroid® M ved hvornår den skal køre hen til sin opladestation og oplade, kan mærke når det regner, kan selv stoppe hvis den mærker et problem og den ved hvornår den skal stoppe og vende om, når den rammer noget som blokerer dens vej, såsom en person, et kæledyr eller en anden genstand. Landroid® M vil automatisk standse den roterende skive med knive (16), hvis køretøjet løftes op fra jorden for at undgå ulykker.

A. Sporing til opladestationen

Når din Landroid® M skal oplades, holder den op med at slå græsset, hvorefter den følger grænsekablet rundt mod uret tilbage til dens opladestation. For at spare på strømmen, holder din Landroid® M op med at dreje klingskiven, når den er på vej tilbage til opladestationen.

B. Regn-sensorer

Din Landroid® M er udstyret med en regn-sensor på dens bagende, som mærker hvis det regner og beder herefter græsslåmaskinen om at stoppe, og følge grænsekablet tilbage til opladestationen. (Se Fig. B) Din Landroid® M is kan programmeres til, at starte på et senere tidspunkt (0-180min) når det regner. Når regn-sensorerne bliver våde, kører din Landroid® M tilbage til dens station. Nædtællingen begynder først, når regn-sensorerne er tørre, eller den går i gang igen med det samme. Se programmerings- og fejlfindingsguiden for yderligere oplysninger.

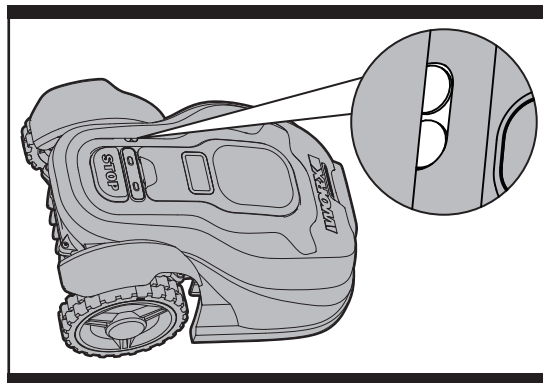
C. Sporing af grænsekablet

Din Landroid® M overholder altid grænsen, som er sat af grænsekablet, og den bruger to sensorer foran, til at mærke når den kommer tættere på. Din Landroid® M kører ca. 20cm* over grænsekablet, før den skifter retning. (Se Fig. C)

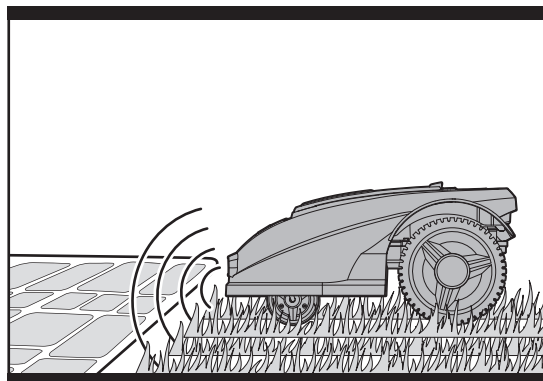
*Dette er den anbefalede afstand. Brug den medfølgende afstandsmåler, så installationen udføres korrekt.

D. Start og standsning under kørsel

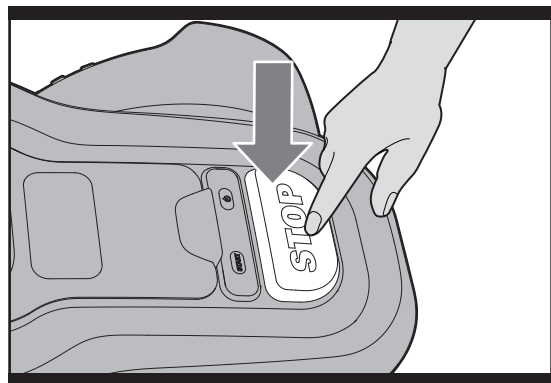
Hvis du ønsker at din Landroid® M skal holde op med at skå græsset, skal du blot trykke på STOP-knappen oven på maskinen. For at starte maskinen, skal du først trykke på tænd/sluk-knappen, og herefter på start-knappen, eller åbn låget til kontrolpanelet, indtast de ønskede kommandoer og tryk til start-knappen. (Se Fig. D, E)



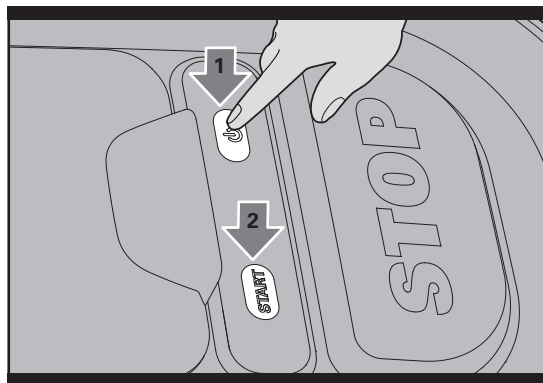
B



C



D



E

Hvis din Landroid®M fornemmer der er noget galt, viser den en fejlmeddelelse på skærmen (16), hvorefter den slukker sig selv, hvis den ikke modtager et signal fra brugeren inden for 20 min (for yderligere oplysninger om fejlmeddelelser bedes du venligst se programmerings- og fejlfindingsguiden).

For at starte maskinen igen:

- Ret problemerne.
- Tryk på tænd/sluk-knappen (19).
- Tryk på start-knappen.
- Herefter begynder din Landroid®M at køre igen!

3.3 Hvor stort en græsplæne kan min Landroid®M slå?

Din Landroid®M er i stand til, at slå en græsplæne på op til 1000m², men dette afhænger af forskellige faktorer, såsom:

- Græstypen, og hvor hurtig græsset gror.
- Hvor skarpe klingerne er.
- Fugtigheden.
- Den omgivne temperatur.
- Antallet af forhindringer på græsplænen.

Hvis temperaturen er meget lav, der hvor du bor, vil din Landroid®M muligvis tage længere tid om at oplade. Din Landroid®M bruger mindre strøm på åbne områder, hvor der er færre forhindringer, såsom blomsterbed, springvand, gangstiger osv. Se nedenstående skema over forslåede tider på græsslåningen i forhold til størrelsen på din græsplæne:

Område (m ²)	Anbefalede tid pr. dag (timer)
200	4
500	13.5
1000	27

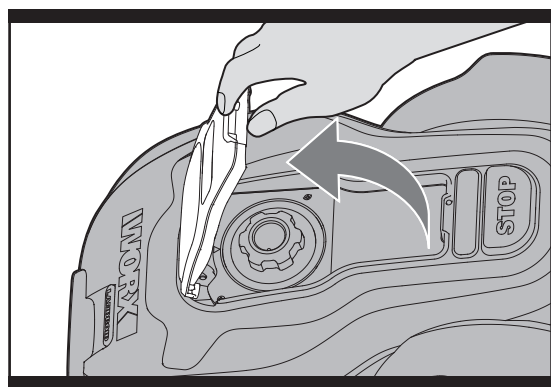
Tiden det tager at slå græsset er forskellig fra plæne til plæne, afhængig af tidligere nævnte faktorer. Juster gradvist hvor lang tid du lader din Landroid®M slå græsset hver dag, indtil du finde en passende tid.

3.4 Hvor effektivt vil min Landroid®M slå min græsplæne?

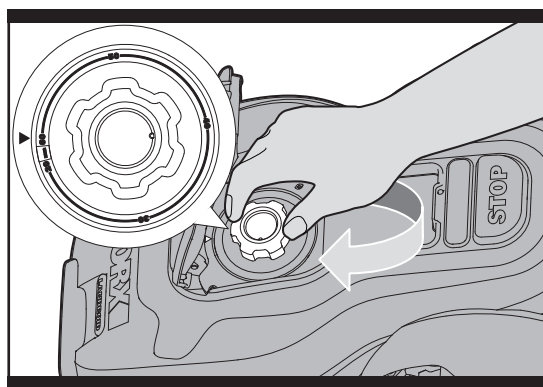
Din Landroid®M's klippehøjde kan justeres fra 2cm – 6cm. Før du bruger din Landroid®M for første gang, bedes du først klippe græsset med en almindelig græsslåmaskine. Sørg herefter for, at åbne låget til klippehøjdejusteringen, og stil klippehøjde på din Landroid®M til den maksimale længde på 6cm. (Se Fig. F, G)

Din Landroid®M klipper bedst i tørt vejr. Den bryder sig ikke om vådt græs, som kan hobe sig op på den roterende skive og inde i selve motoren, og som også kan forårsage dårlig trækraft og skridning under arbejdet.

Din Landroid®M er bange for lyn og torden. I tilfælde af lyn- og tordenvejr, skal du beskytte din Landroid®M ved at trække stikket ud af opladestationen, afbryd græsekablet og sørg for at din Landroid®M ikke oplader.



F



G

Din Landroid®M elsker at slå græs og har behov for, at knivene bliver holdt i god stand for at kunne yde sit bedste. Din Landroid®M kan selv klarer de fleste ting, men du skal nogle gange hjælpe den, så den ikke kommer til skade.

- Du må aldrig lade din Landroid®M køre på grus.
- Fjern eller bloker forhindringer, som din Landroid®M muligvis kan køre op på, og derved ødelægge dens klingeskive.
- Fjern alt skidt og fremmede genstande fra din græsplæne.

4. Grundlæggende om grænsekablet

4.1 Fastgørelse af grænsekablet til jorden

Brug afstandsmåleren til grænsekablet (24) til at måle den korrekte afstand fra kanten af din græsplæne (ca. 35cm*).

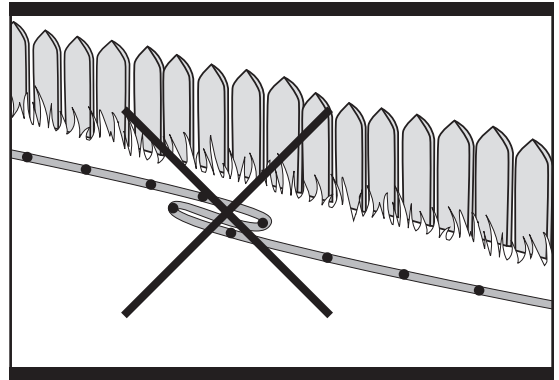
* Dette er den anbefalede afstand. Brug den medfølgende afstandsmåler, så installationen udføres korrekt.

Hvis din nabo også bruger en Landroid®M, skal der være en afstand på mindst 4,5m mellem din nabos og dit eget grænsekabel.

Du bedes venligst være opmærksom på, at din Landroid®M ikke er i stand til at modtage et signal fra grænsekablet ud over 18m.

Grænsekablet skal ligge præcist omkring klippeområdet.

Din Landroid®M forvirres af ekstra bug og bøjninger på grænsekablet, som ikke er den del af den planlagte kabelføring (Se Fig. H). Hvis der er kabel i overskud efter du har ført kablet rundt om græsplænen, skal du klippe det af og gem det til eventuelt senere brug. Du skal dog huske at efterlade nok kabel både at begrave kablet og tilslutte det til opladebasen.



H

4.2 Nedgravning af grænsekablet

Vi anbefaler du graver grænsekablet et par centimeter ned i jorden. Dette sikrer at maskinen kører uden problemer år efter år, sæson efter sæson. Til nedgravning af grænsekablet, tilbyder WORX et afmærkningsværktøj, som kan købes hos samme forhandler, hvor du købte din Landroid®M.

Hvis du ønsker at nedgrave grænsekablet, skal du bemærke at din Landroid®M muligvis har problemer med at finde grænsekablet, når den skal finde opladebasen for første gang. Det anbefales, at du først fastspænder grænsekablet til jorden med pløkkerne, hvorefter du nemt kan lave mulige ændringer. Dette giver din Landroid®M mulighed for, at tilpasse sig det nye miljø, og sørger for at den virker ordentligt med opladebasen, før du graver grænsekablet ned.

4.3 Sammenspænding af grænsekablet

VIGTIGT: Grænsekablet vil ikke virke ordentligt, hvis det sammenlagt er over 200m langt efter det er spændt sammen. Grænsekablet (21) kan forlænges ved at pille enderne fra hinanden, og splejse dem sammen med et andet stykke kabel. Herefter kan du rulle sammenslutningen ind i almindeligt tape (Se Fig. I)

4.4 Opstart og test af installationen

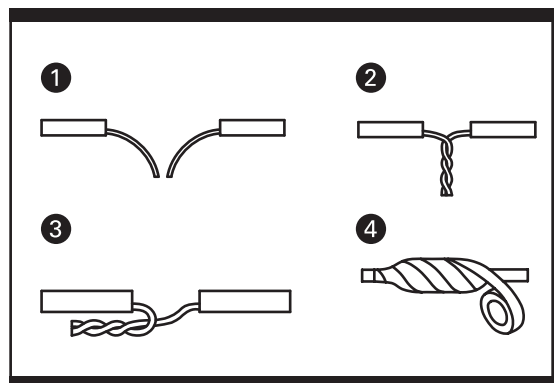
Hvis den grønne lampe ikke lyser, skal du kontrollere strømtilslutningerne.

Hvis lampen blinker grøn, skal du kontrollere om grænsekablet er ordentligt forbundet.

Lamper lyser rød: Oplader.

Lampen blinker rød: Fejlmeddelelse, ret problemet.

Hvis din Landroid®M findes inden for dens område, og der står "out of cutting area" (uden for klippeområde), og lampen lyser grøn, betyder det at du har forbundet grænsekablet omvendt. Du skal blot vende om på enderne.



I

5. Vedligeholdelse

Din Landroid®M skal regelmæssigt ses efter. Din Landroid®M arbejder hårdt, og skal efter et stykke tid rengøres ordentligt, og muligvis have et par dele udskiftet, da disse bliver slidt. I følgende afsnit fortæller vi dig, hvordan du lader din nye Landroid®M tilpasse sig i sit nye hjem, ved at give den den bedst mulige pjele.

5.1 Batteriliv

Hjertet på din Landroid®M er dens 28-volt lithium-ion-batteri. Dette er vedligeholdelsesfri. For ordentligt opbevaring af batteriet, skal du sørge for at oplade det helt og opbevar det på et køligt og tørt sted med en temperatur på 20°C - 60°C.

Levetiden på din Landroid®M's batteri afhænger af forskellige faktorer, såsom:

- Hvor ofte den bruges i en sæson.
- Antallet af timer din Landroid®M slå græs pr. dag.
- Hvordan du behandler dit batteri, mens det opbevares.

For at lade maskinen op manuelt, ude brug af grænsekablet, bedes du venligst gøre følgende:

1. Slut opladebasen til en passende strømforsyning.
2. Parker manuelt din Landroid®M i opladebasen, mens den er slukket.
3. Lampen blinker i 3 sekunder, og herefter skal du trykke på tænd-knappen på din Landroid®M, hvorefter den begynder at oplade.

5.2 Vinterdvale

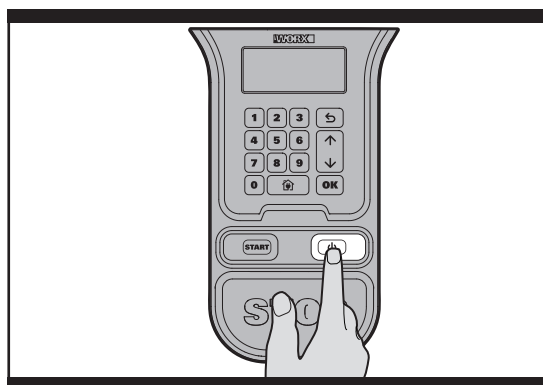
Din Landroid®M vil leve længere og sundere, hvis den får lov til at gå i vinterdvale. Så selvom det er hårdt, så anbefaler vi at du gemmer din Landroid®M i dit skur eller garage vinteren over.

Men før du gemmer din Landroid®M væk over vinteren, skal du sørge for at:

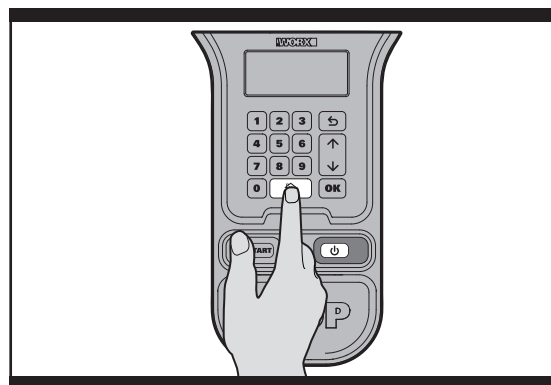
- Rengøre den ordentligt.
- Lade batteriet helt op.
- Sluk for den.

For at få det meste ud af batteriet levetid, anbefales det at du oplader batteriet helt, før du lægger det til side over vinteren. For kun at oplade batteriet, skal du:

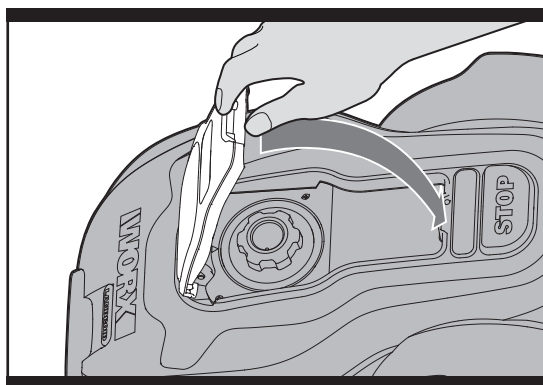
- Forbind grænsekablet (21) til opladebasen (4).
- Forbind opladebasen til en strømkilde.
- Parker din Landroid®M i opladebasen.
- Tryk på tænd/sluk-knappen. (Se Fig. J)
- Tryk på hjem-knappen. (Se Fig. K)
- Luk låget til kontrolpanelet. (Se Fig. L)
- Lad din Landroid®M oplade i mindst 1,5 time.



J



K



L

Grænsekablet kan efterlades i jorden, mens dens ender skal beskyttes, bl.a. ved at ligge den i en beholder med fedt. Hvis du lader opladestationen stå udenfor over vinteren, skal du sørge for at grænsekablet er forbundet hertil.

BEMÆRK: Før du gemmer din Landroid®M væk over vinteren, kan du tage den til din forhandler og få den ordentligt rensat og set efter, hvor dens funktioner afprøves og nedslidte dele udskiftes.

Når vinteren er overstået og du tager din Landroid®M i brug igen, skal du sørge for at opladningspladerne og kontaktpladerne er rene, hvilket er bedst gjort med en fin smøreklud. Sørg for, at datoen og tiden er korrekt, og send herefter din Landroid®M tilbage til det, den elsker at lave: At slå græs.

5.3 Hold den ren

! **ADVARSEL: Sluk for din Landroid®M, ved at stille ON/OFF (tænd/sluk) knappen på OFF (slukket). Brug sikkerhedshandsker når du rengøre klingskiven (16), og undgå at bruge løbende vand. (Se Fig. J,K,L)**

A. Rengøring af karosseriet

Din Landroid®M vil leve et meget lykkeligere og længere liv, hvis den rengøres regelmæssigt. Selvom din Landroid®M er en elektrisk maskine, skal du være forsigtig under rengøringen, og du MÅ IKKE bruge en vandslange, eller løbende vand på din Landroid®M. Det er bedre at bruge en sprayflaske med vand. Når du renser maskinen, brug en blød børste eller en ren klud og undgå brug af opløsningsmidler eller pudsemidler. (Se Fig. M). Endelig skal du sørge for at fjerne alle rester af græs og snavs.

B. Rengøring af undersiden

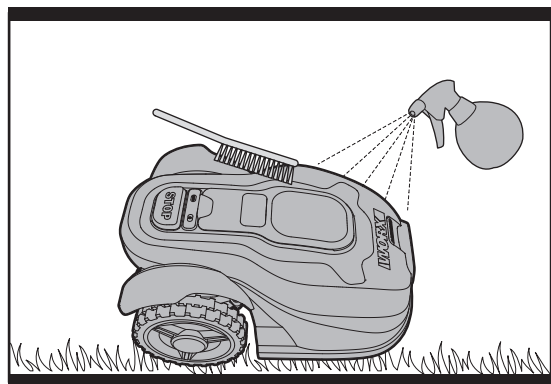
Her er det igen vigtigt, at du slukker for din Landroid®M, ved at stille ON/OFF (tænd/sluk) knappen på OFF (slukket), **og brug beskyttelseshandsker, før du røre ved klingerne.**

Først skal du vende Landroid®M om for at få undersiden opad. Her vil du kunne se klingskiven (a), motorblokken (b), forhjulene og baghjulene. Rengør alt grundigt med en blød børste eller en fugtklud (Se Fig. N). Drej klingskiven, og se om den drejer frit, og at der ikke sidder ting klemt mellem den og motorblokken. Du skal også sørge for, at klingerne drejer frit, og at der ikke er noget græs, som sidder i vejen for dem.

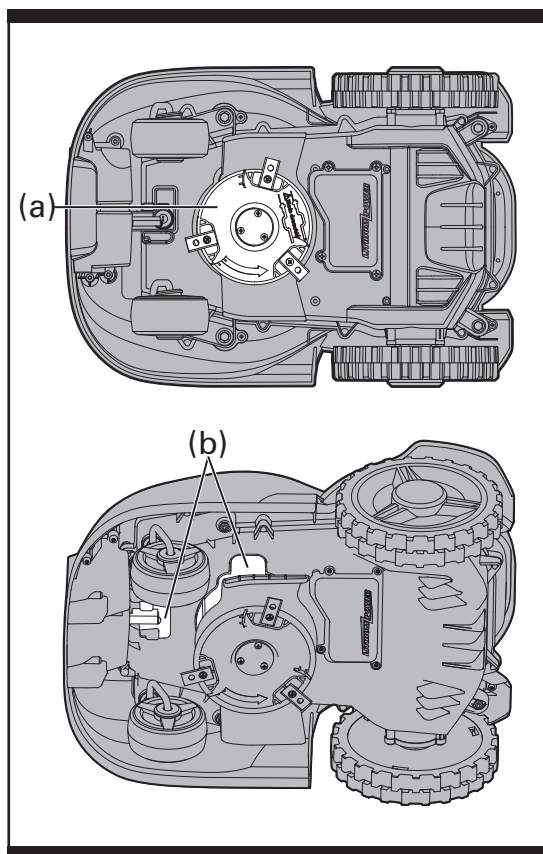
VIGTIGT: Fjern al fastklemt skidt, så de ikke revner klingskiven. Selv den mindste revne kan reducere din Landroid®M's evne til at slå græs.

C. Rengør kontaktpladerne og opladestationskontakterne

Rengør kontaktpladerne på opladestationen og opladestationskontakterne på din Landroid®M med en klud. Fjern regelmæssigt al ophobet græs og skidt omkring kontaktpladerne og opladestationskontakterne, så du sikrer at din Landroid®M oplades helt hver gang.



M



N

5.4 Hold den skarp

! **ADVARSEL:** Før rengøring, justering eller udskiftning af klingerne, skal du slukke for din Landroid®M, ved at stille ON/OFF (tænd/sluk) knappen på OFF (slukket), og tag sikkerhedshandsker på.

! **ADVARSEL!** Ved udskiftning af knive sørg for, at du udskifter ALLE knivene. Hvis klingens er ny, men skruen har været brugt før, kan den slides helt ned under brug, og få klingens til at flyve af i en hurtig fart. Dette kan forårsage alvorlige personskader.

Din Landroid®M klipper ikke græs på samme måde som andre græsslåmaskiner. Dens klinger er knivskarpe på alle 4 kanter, og de drejer i begge retninger for at give en bedre klippeeffect (Se Fig. O). Hver klinge på din Landroid®M har 4 skærekanter. Klingerne skal af og til vendes om, så de andre skærekanter også bruges, afhængig af hvor meget du bruger din Landroid®M. Hvis din Landroid®M er programmeret til, at slå græsset hver dag, skal du vende klingerne om hver måned, så du opnår det bedste resultat. Hver klinge vil holde i op til 4 måneder, hvis din Landroid®M slår græsset hver dag. Når klingerne er døde og nedslidte, skal de skiftes med de nye klinger, som følger med din Landroid®M. Du kan også købe ekstra klinger hos din lokale Worx forhandler.

A. Drejning og vending af klingerne

Din Landroid®M har 3 klinger, som alle er skruet fast på klingeskiven. Det er klingerne, som udfører arbejdet og de skal plejes og vedligeholdes ordentligt. Du skal engang i mellem dreje og vende alle 3 klinger om, så du får en bedre klipping. Når du drejer og vender klingerne om, skal du sørge for at klingerne justeres på samme tid, eller kan klingeskiven komme ud af balance. Hvis din Landroid®M slår græsset på samme tid hver dag, bør klingerne holde en hel sæson, hvis de drejes og vendes om hver måned. Kontroller altid om klingerne er revnede eller ødelagte, og skift dem hvis de er.

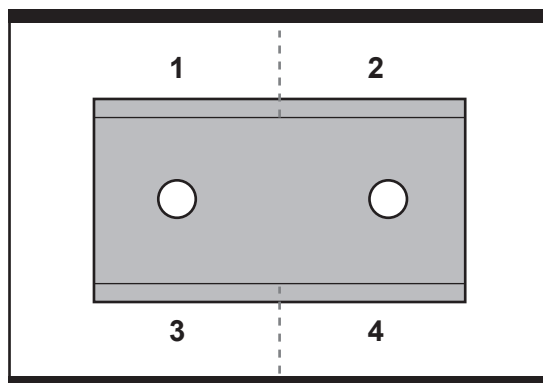
B. Udskiftning af klingerne

Efter noget tid, gerne efter hver sæson, skal klingerne på din Landroid®M skiftes. Din Landroid®M kan ikke lide, at bruge klinger som ikke er lige gamle og af samme kvalitet. Så når du skifter klingerne, skal du sørge for at skifte dem alle sammen på samme tid. Du kan skifte dem med et af de tre ekstra klingesæt og ekstra sæt klingskruer, som følger med din Landroid®M.

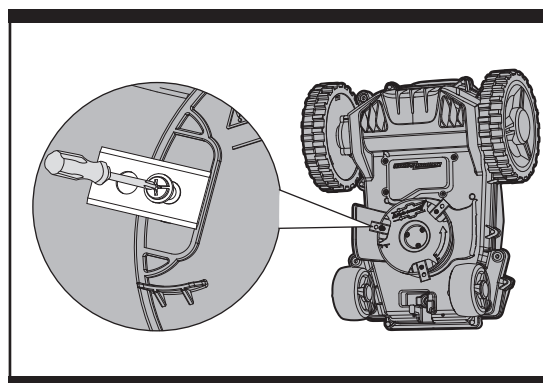
Inden du udskifter knive på din Landroid®M, slå strømmen fra og tag beskyttelsehandsker på. Følg herefter disse trin:

1. Vend forsigtigt din Landroid®M om på siden.
2. Skru skruerne på knivene af med en lige skruetrækker (eller en Phillips skruetrækker).
3. Fastspænd skruerne på de nye klinger ordentligt. (Se Fig. P)

VIGTIGT: Når du har skruet klingens på klingeskiven, skal du sørge for at klingens kan dreje frit.



O



P

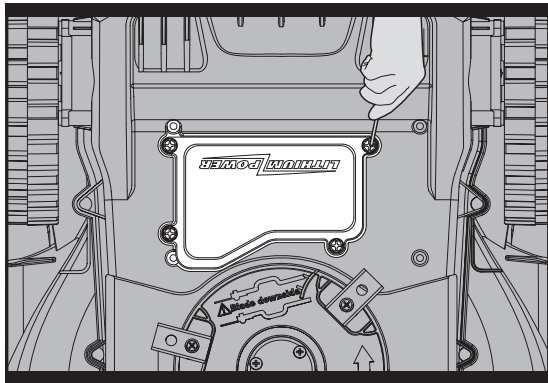
5.5 Udskiftning af batteriet



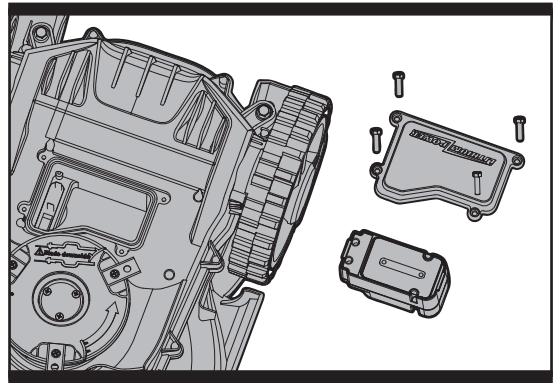
ADVARSEL: Stil ON/OFF (tænd/sluk) knappen på OFF (slukket), før du foretager nogle justeringer, udskiftninger eller reparationer.

Hvis du skal skifte batteriet, bedes du gøre følgende:

1. Vend forsigtigt din Landroid®M om på hovedet.
2. Fjern de seks skruer på batteriet. (Se Fig. Q)
3. Tag det gamle batteri ud. (Se Fig. R)
4. Sæt det nye batteri i.
5. Sæt de 4 skruer i igen.



Q



R

Miljøbeskyttelse



Affald af elektriske produkter må ikke bortskaffes sammen med husholdningsaffald. Indlever så vidt muligt produktet til genbrug. Kontakt de lokale myndigheder eller forhandleren, hvis du er i tvivl.

Konformitetserklæring

VI,
POSITEC Germany GmbH Konrad-Adenauer-Ufer 37 50668 Köln

Erklærer herved, at produktet
Beskrivelse **WORX Græsslående robot**
Type **WG794E (790-799-udpegning af maskiner, repræsentant for Græsslående robot)**
Funktion **Græsklipning**

Er i overensstemmelse med følgende direktiver:

Maskindirektiv **2006/42/EF**

Elektromagnetiske kompatibilitetsdirektiv **2004/108/EF**

RoHS Direktiv **2011/65/EU**

**Direktiv om "Støjemission i Miljøet fra Maskiner til Udendørs Brug" PIN-kodefelt
2000/14/EF ændret ved 2005/88/EF**

Konformitetstestprocedure pr. **Annex V**

Målt niveau for lydeffekt: **61.95dB(A)**

Deklareret garanteret niveau for lydeffekt: **63dB(A)**

Standarder i overensstemmelse med:

EN ISO 12100-1

EN ISO 12100-2

EN ISO 14121-1

EN ISO 3744

EN 55014-1

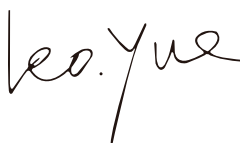
EN 55014-2

Personen, autoriseret til at udarbejde den tekniske fil,

Navn Russell Nicholson

Address Positec Power Tools (Europe) Ltd, PO Box 152, Leeds, LS10 9DS, UK

33



2012/12/24

Leo Yue

POSITEC Kvalitetschef

PIN-kodefelt:

ALKUPERÄISET OHJEET

SISÄLTÖ

1. Turvaohjeet	35
1.1 Yleiset ja lisäturvallisuusohjeet	35
1.2 Tietoja Landroid®M:stä	37
2. Tekniset tiedot ja pakkauksen sisältö	38
2.1 Tekniset tiedot	38
2.2 Osaluettelo	39
3. Landroid®M-ruohonleikkuriin tutustuminen	41
3.1 Kuinka Landroid®M tietää missä leikata nurmikkoa?	41
3.2 Kuinka Landroid®M tietää minne mennä?	42
A. Latausalustan löytäminen	42
B. Sadeanturit	42
C. Kehäjohton tunnistaminen	42
D. Käynnistyminen ja pysähtyminen nurmikkoa leikattaessa	42
3.3 Kuinka suuren alueen Landroid®M pystyy leikkaamaan?	43
3.4 Kuinka tehokkaasti Landroid®M leikkaa ruohikkoa?	43
4. Kehäjohton perusteet	44
4.1 Kehäjohton kiinnittäminen	44
4.2 Kehäjohton maahan kaivaminen	44
4.3 Kehäjohton liittäminen	44
4.4 Käynnistys ja testiasennus	44
5. Kunnossapito	45
5.1 Akkukesto	45
5.2 Talviuni	45
5.3 Puhtaanapito	46
A. Rungon puhdistaminen	46
B. Pohjan puhdistaminen	46
C. Puhdista kontaktinastat ja latausnauhat	46
5.4 Pidä terävänä	47
A. Terien kiertäminen ja kääntäminen	47
B. Terien vaihto	47
5.5 Akun vaihto	48
6. Vaatimustenmukaisuusvakuutus	49

1. Turvaohjeet

1.1 Yleiset ja lisäturvallisuusohjeet

VAROITUS: Lue kaikki turvavaroitukset ja ohjeet. Varoitusten ja ohjeiden noudattamatta jättäminen voi johtaa sähköiskuun, tulipaloon ja/tai vakavaan vammaan.

Lue ohjeet huolellisesti koneen käyttämiseksi turvallisesti.

Säilytä kaikki varoitukset ja ohjeet tulevaa käyttöä varten.

- Tätä laitetta ei ole tarkoitettu sellaisten henkilöiden (mukaan lukien lapset) käytettäväksi, joilla on rajoittuneet fyysinen, aistillinen tai henkinen kapasiteetti tai jolla ei ole kokemusta ja tietoa, ellei heidän turvallisuudestaan vastuussa oleva henkilö valvo tai opasta heitä laitteen käytössä.
- Lapsia on valvottava, jotta varmistetaan, etteivät he leiki laitteella.

TÄRKEÄÄ

**LUE HUOLELLISESTI ENNEN KÄYTTÖÄ
SÄILYÄ MYÖHEMPÄÄ KÄYTTÖÄ VARTEN**

TURVALLISET KÄYTTÖKÄYTÄNNÖT

Harjoittelu

- Lue nämä ohjeet huolellisesti. Varmista, että ymmärrät ohjeet, tunnet ohjaimet ja osat käyttää laitetta oikein.
- Älä koskaan anna näitä ohjeita tuntemattomien henkilöiden tai lasten käyttää tätä laitetta. Paikalliset säädökset voivat rajoittaa laitteen käyttäjän ikää.
- Käyttäjä on vastuussa ihmisille tai omaisuudelle koituvista onnettomuuksista tai vaaroista.

Valmistelu

- Varmista, että automaattisen ympärysmittan hahmotusjärjestelmän asennus on ohjeiden mukainen.
- Tarkista säännöllisesti, että alueella, jolla laitetta käytetään, ei ole kiviä, keppejä, johtoja, luita tai muita vieraita esineitä.
- Tarkista säännöllisesti silmämääräisesti, etteivät terät, terän pultit ja leikkauskokoonpano ole kulunut tai vahingoittunut. Vaihda kuluneet tai vahingoittuneet terät ja pultit sarjoina tasapainon säilyttämiseksi.
- Ole varovainen käyttäessäsi monikaraisia laitteita, sillä yhden terän pyöriminen voi aiheuttaa muiden terien pyörimisen.

KÄYTTÖ

1. YLEISTÄ

- Älä koskaan käytä laitetta, jos sen suojukset ovat viallisia tai jos turvalaitteet, kuten ohjaimet, eivät ole paikoillaan.
- Älä vie käsiä tai jalkoja lähelle pyöriviä osia tai niiden alle. Pidä aina poistoaukot esteettöminä.
- Älä koskaan nosta tai kannaa laitetta moottorin ollessa käynnissä.
- Sammuta kone
 - Ennen esteen poistamista.
 - Ennen laitteen tarkistusta, puhdistusta tai korjaamista.
- Robottiruohonleikkurin alkuperäisen toiminnallisuuden mukauttaminen on kiellettyä. Kaikki mukautukset ovat omalla vastuullasi.
- Käynnistä robottiruohonleikkuri ohjeiden mukaisesti. Kun pääkytkin on ON (Päälle) -asennossa, varmista, että pidät kättesi ja jalkasi loitolla pyörivistä teristä. Älä koskaan vie käsiä tai jalkoja ruohonleikkurin alle.
- Älä koskaan nosta robottiruohonleikkuria tai kannaa sitä, kun pääkytkin on ON (Päälle) -asennossa.
- Älä anna henkilöiden, jotka eivät tiedä kuinka robottiruohonleikkuri toimii ja käyttäytyy, käyttää sitä.
- Älä aseta mitään robottiruohonleikkurin tai sen latausaseman päälle.
- Älä käytä robottiruohonleikkuria, jos sen terät tai runko on vioittunut. Laitetta ei saa käyttää, jos sen terät, ruuvit, Mutterit tai kaapelit ovat vahingoittuneet.
- Älä käytä robottiruohonleikkuria, jos sen pääkytkin ei toimi.
- Sammuta robottiruohonleikkuri aina pääkytkimellä, kun sitä ei käytetä. Robottiruohonleikkurin voi käynnistää vain kun pääkytkin on siirretty ON (Päälle) -asentoon ja oikea PIN-koodi on annettu.

2. LISÄKSI, KUN LAITETTA KÄYTETÄÄN AUTOMAATTISESTI

- Älä jätä konetta käymään ilman valvontaa, jos lähistöllä on lemmikkieläimiä, lapsia tai muita henkilöitä.

3. LISÄKSI, KUN KÄYTETÄÄN MANUAALISIA OHJAIMIA

- Leikkaa nurmikkoa vain päivänvalossa tai kunnollisessa keinovalaistuksessa.
- Vältä käyttämästä konetta märällä nurmikolla.
- Älä käytä konetta paljain jaloin tai avoimissa sandaaleissa. Käytä aina tukevia jalkineita ja pitkiä housuja.
- Säilytä aina tukeva jalansija rinteissä.

- e) Ole erittäin varovainen, kun käännät koneen kulkusuunnan itseäsi kohti.
- f) Kytke moottori aina päälle ohjeiden mukaisesti jalat kaukana teristä.

KUNNOSSAPITO JA SÄILYTYS



VAROITUS: Kun ruohonleikkuri on ylösalaisin, pääkytkimen tulee aina olla asetettuna **OFF (Pois)** -asentoon.

Pääkytkimen tulee olla asetettuna OFF (Pois) -asentoon aina, kun suoritetaan ruohonleikkurille huoltotoimia alapäin, kuten puhdistus tai terien vaihto.

- a) Pidä kaikki mutterit, pultit ja ruuvit tiukalla varmistaaksesi, että laite on turvallisessa käyttökunnossa.
- b) Tarkista robottiruohonleikkuri joka viikko ja vaihda kuluneet tai vahingoittuneet osat turvallisuuden varmistamiseksi.
- c) Tarkista, etteivät terät ja terälevyt ole vahingoittuneet. Vaihda kaikki terät ja ruuvit samanaikaisesti, jos on tarpeen, jotta pyörivät osat pysyvät tasapainossa.
- d) Varmista, että vain oikean tyyppisiä vaihtoteriä käytetään.
- e) Varmista, että akut on ladattu käyttämällä oikeaa valmistajan suosittelemaa laturia. Väärä käyttö voi johtaa sähköiskuun, ylikuumenemiseen tai syövyttävän hapon vuotamiseen akusta.
- f) Jos joudut kosketuksiin elektrolyyttivuodon kanssa huuhtelee kohta vedellä/neutralointiaineella ja hakeudu lääkärille, jos sitä joutuu silmiin jne.
- g) Laitteen huolto tulee tehdä valmistajan ohjeiden mukaisesti.

Kuljetus

Kun robottiruohonleikkuria kuljetetaan pitkiä matkoja, tulee käyttää alkuperäistä pakkausta.

Ruohonleikkurin turvallinen siirtäminen työskentelyalueella:

- a) Paina STOP (PYSÄYTÄ) –painiketta pysäyttääksesi leikkurin. Jos varkaudenestohälytin käynnistyy, syötä PIN-koodin ensimmäinen numero. 4-numeroinen PIN-koodi valitaan, kun leikkuri käynnistetään ensimmäisen kerran.
- b) Siirrä pääkytkin OFF (Pois) -asentoon, kun aiot siirtää ruohonleikkuria.
- c) Kuljeta ruohonleikkuria sen takana alla olevasta kahvasta. Kanna ruohonleikkuria terälevy pois päin kehostasi.

1.2 Tietoja Landroid®M:stä



VAROITUS –Robottiruohonleikkuri voi olla väärin käytettynä vaarallinen.

Lue käyttöopas huolellisesti läpi ja varmista, että ymmärrät sisällön, ennen kuin käytät robottiruohonleikkuriasi.



VAROITUS – Säilytä turvallinen etäisyys koneesta työskennellessäsi sillä.



VAROITUS –Kytke laite pois päältä, ennen kuin korjaat tai nostat sitä.

Pidä kädet ja jalat etäällä pyörivistä teristä. Älä koskaan vie käsiäsi tai jalkojasi rungon lähelle tai alle, kun RUOHONLEIKKURI ROBOTTI on käynnissä.

Robottiruohonleikkuri voi käynnistyä vasta, kun ON/OFF (PÄÄLLÄ/POIS PÄÄLTÄ) -painike on asennossa ON (PÄÄLLÄ) ja oikea PIN-koodi on syötetty. Tarkistus ja/tai kunnossapitotyöt on tehtävä ON/OFF (Päälle/Pois) -painike painettuna OFF (Pois) -asentoon.



VAROITUS - Älä yritä ratsastaa koneella.



Älä hävitä tulessa



Älä heitä veteen



Paristot on kierrätettävä



Li-Ion

Paristot sisältävät litium-iona. Käytetyt paristot on lajiteltava ympäristöystävällisesti. Älä hävitä käytettyjä paristoja lajittelemattoman kotitalousjätteen mukana.



Elektroniikkaromua ei saa hävittää kotitalousjätteen mukana. Toimita elektroniikkaromu asianmukaisiin keräyspisteisiin. Kysy paikallisviranomaisilta tai jälleenmyyjältä kierrätysohjeita.

2. Tekniset tiedot ja pakkauksen sisältö


2.1 Tekniset tiedot

Tyyppi: **WG794E (790-799-koneen määrittäykset, esimerkki Nurmikon leikkausrobotti)**

Nimellisjännite	Maks.* 28V $\overline{=}$
Nopeus kuormittamattomana	2800/min
Leikkaushalkaisija	180mm
Leikkauskorkeus	20-60mm
Leikkauskorkeusasennot	5
Akkutyyppe	Litium-ioni
Akkumalli	WA3225
Latausaika	Noin 1,5h
Laturimalli	WA3716
Laturiluokitus	Otto: 100-240V~50/60Hz, 50W Anto: 24-28V Dc, 1.5A
Koneen paino	8.3kg
Suojausaste	IPX4

* Jännite mitattu ilman työkuormaa. Ensimmäinen akkujännite saavuttaa maksimissaan 28 voltia. Nimellisjännite on 25.2 voltia.

Melu ja tekniset tiedot

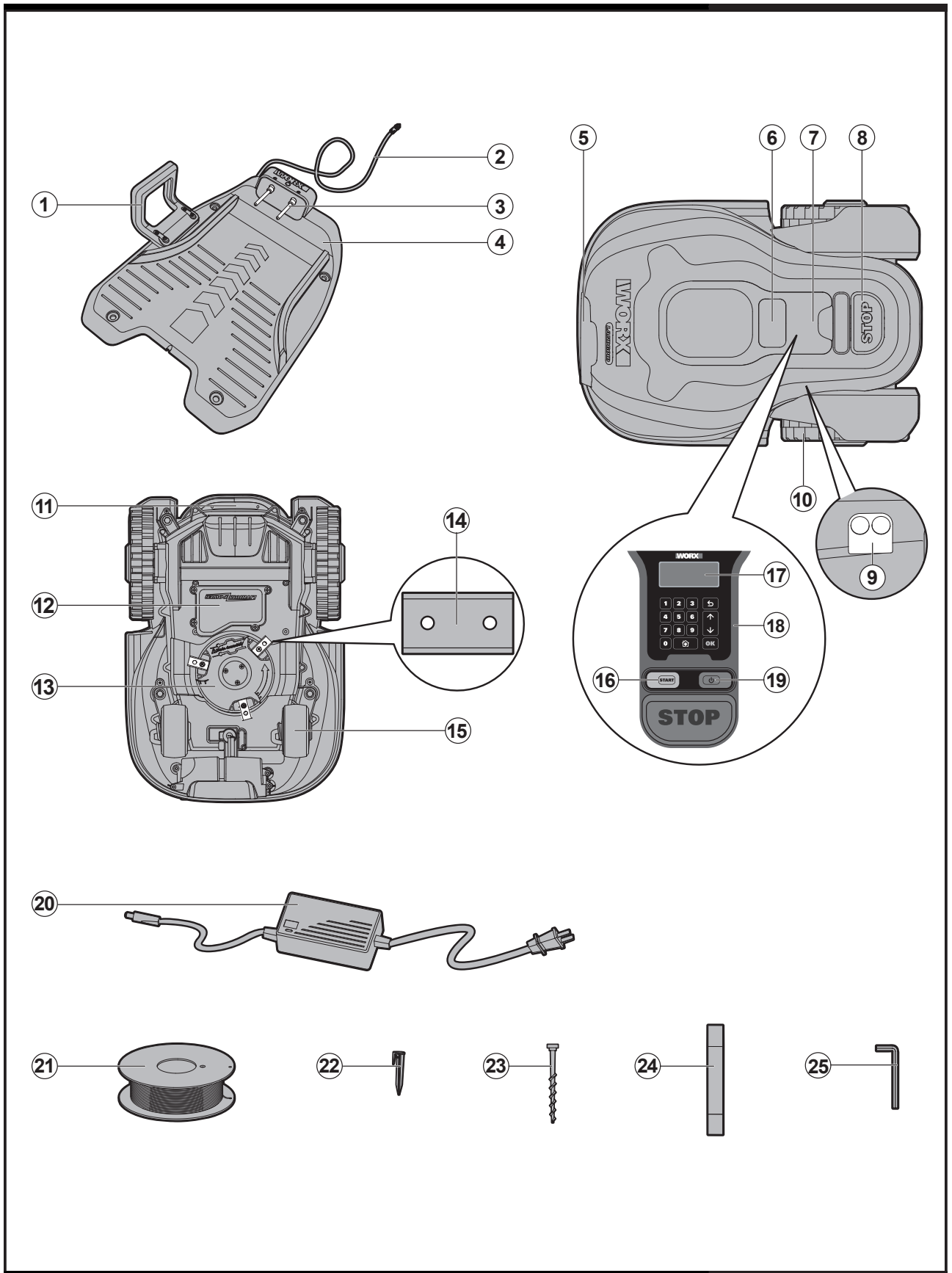
Painotettu äänenpaine	44.5dB(A), K_{PA} : 3.25dB(A)
Painotettu ääniteho	63dB(A)
Käytä kuulosuojaimia, kun äänenpaine on yli	80dB(A) 

Lisävarusteet

Latausalusta ja 15m jatkokaapeli	1
Terää ja ruuvit	9
Johtotappia	200
180m kehäjohtoa	1
Latausalustan kiinnitysnaulaa	4
Virtasovitin	1
Kehäjohtoon etäisyysmitta	1
Kuusiokulma-avain	1

On suositeltavaa hankkia yllä luetellut alkuperäiset lisävarusteet samasta liikkeestä kuin itse työkalu. Käytä hyvälaatuisia lisävarusteita, jotka on merkitty tunnetulla tuotemerkillä. Katso lisätietoja lisävarusteen pakkauksesta. Saat neuvoja liikkeen henkilökunnalta.

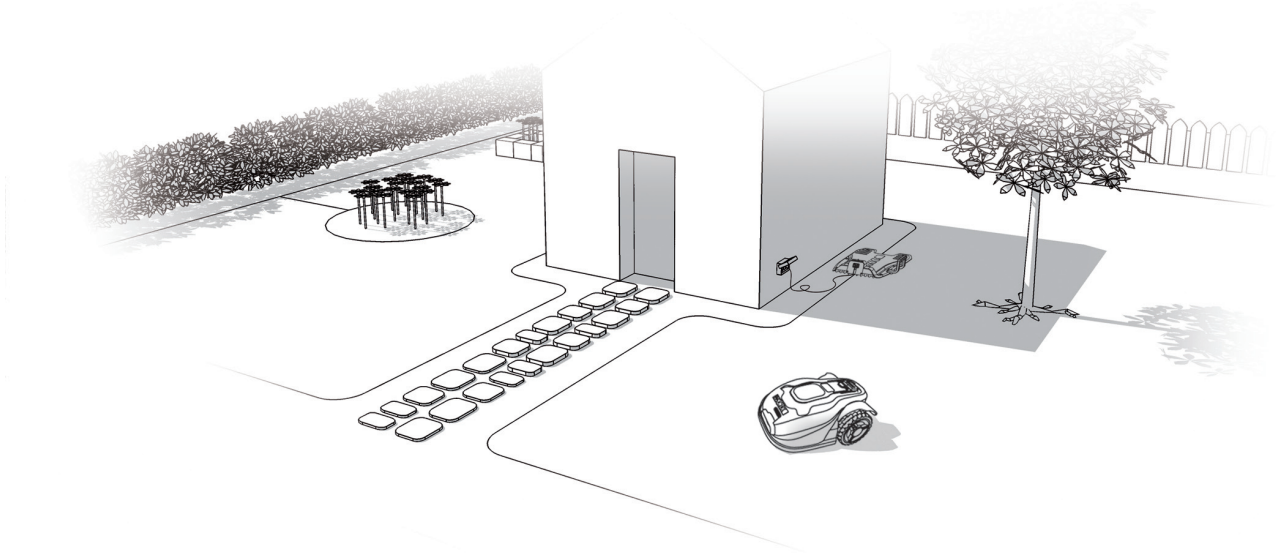
2.2 Osaluettelo



-
1. KANTOKAHVA
 2. MATALAJÄNNITEKAAPELI
 3. KONTAKTINASTAT
 4. LATAUSALUSTA
 5. LATAUSNAUHA
 6. NÄYTTÖIKKUNA
 7. OHJAUSPANEELIN KANSI
 8. PYSÄYTYSKÄYTTÖPAINIKE
 9. SADEANTURI
 10. VETOPYÖRÄ
 11. KAHVA
 12. AKKU
 13. PYÖRIVÄ TERÄLEVY
 14. LEIKKAUSTERÄ
 15. ETUPYÖRÄ
 16. KÄYNNISTYSPAINIKE
 17. NÄYTTÖ
 18. NÄPPÄIMISTÖ
 19. ON/OFF-NÄPPÄIN
 20. VERKKOLAITE
 21. KEHÄJOHTO (180m)
 22. JOHDON KIINNIKKEET
 23. LATAUSALUSTAN KIINNITYSNAULAT
 24. KEHÄJOHDON ETÄISYYSMITTA
 25. KUUSIOKULMA-AVAIN
-

3. Landroid® M-ruohonleikkuriin tutustuminen

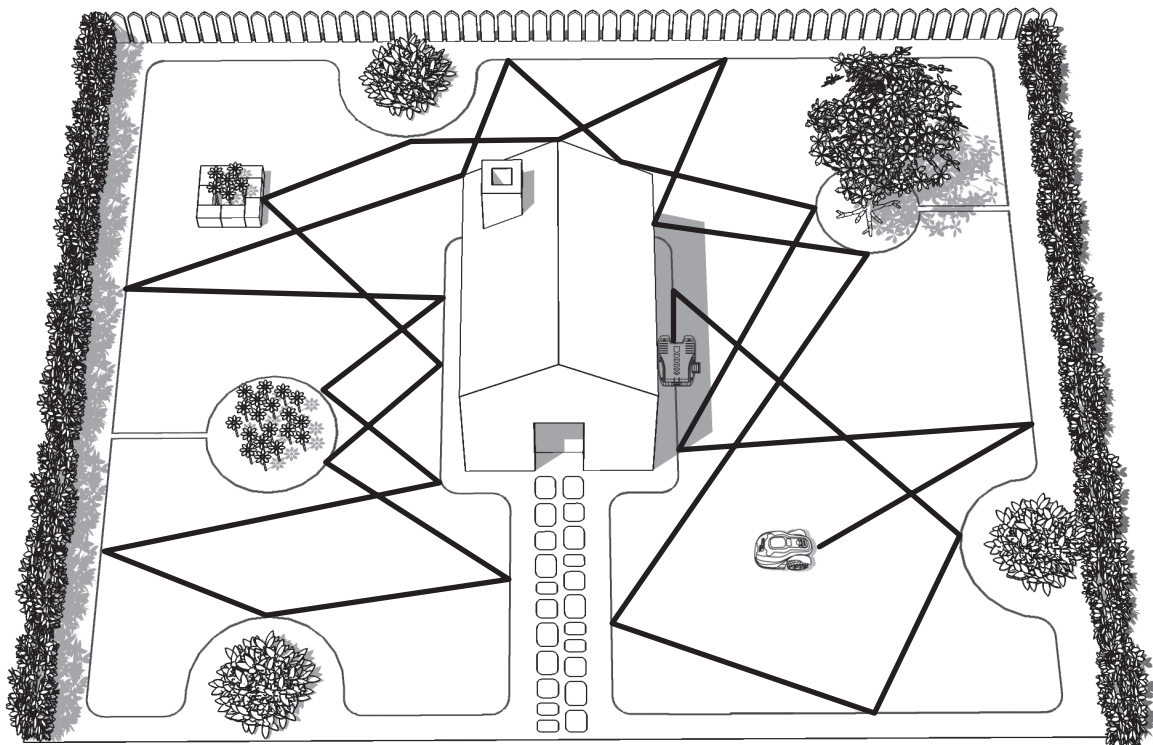
Onneksi olkoon uuden Landroid® M-ruohonleikkurin ostamisesta ja siirtymisestä huolettomaan, automaattiseen ruohonleikkuun maailmaan. Seuraavassa pyrkimyksemme on saada sinut ymmärtämään, kuinka Landroid® M-ruohonleikkuri ajattelee.



3.1 Kuinka Landroid® M tietää missä leikata nurmikkoa?

Landroid® M valitsee suuntansa satunnaisesti eikä koskaan toista samaa nurmikon leikkaussuuntaa. Se varmistaa, että koko nurmikko tulee leikatuksi tasaisesti jättämättä mihinkään epäsiistiä jälkeä (Katso Kuva A).

41



A

3.2 Kuinka Landroid®M tietää minne mennä?

Landroid®M pystyy tekemään asioita omillaan. Landroid®M tietää, milloin sen on mentävä latausalustalle latautumaan, se tuntee, milloin sataa, se kykenee pysähtymään itse ongelman tunnistessaan ja tietää, milloin pysähtyä ja kääntyä ympäri törmätessään johonkin esteeseen tiellään, kuten henkilö, lemmikkieläin tai muu kohde. Landroid®M myös pysäyttää automaattisesti teränkääntölevyn pyörimisen onnettomuuksien ehkäisemiseksi, jos laite nostetaan ylös maanpinnasta.

A. Latausalustan löytäminen

Kun Landroid®M tarvitsee latausta, se lakkaa leikkaamasta nurmikkoa ja seuraa kehäjohtoa vastakkaiseen suuntaan takaisin latausalustalleen. Energiaa säästääkseen Landroid®M pysäyttää terälevyn pyörimisen palatessaan latausalustalle.

B. Sadeanturit

Landroid®M-ruohonleikkurin takaosassa on sadeanturi, joka tunnistaa sadepisarat ja saa Landroid®M in lopettamaan nurmikon leikkaamisen ja seuraamaan kehäjohtoa takaisin latausalustalle (katso kuva B). Landroid®M on ohjelmoitu käynnistymään viiveellä (0-180min), jos sataa. Kun sadetunnistimet ovat märät, Landroid®M palaa telakointiasemaansa. Landroid®M aloittaa viivekäynnistyslaskennan vasta, kun sadetunnistimet kuivuvat, tai aloittaa leikkaamisen heti. Katso lisätietoja Ohjelmointi- ja vianetsintäoppaasta.

C. Kehäjohtoon tunnistaminen

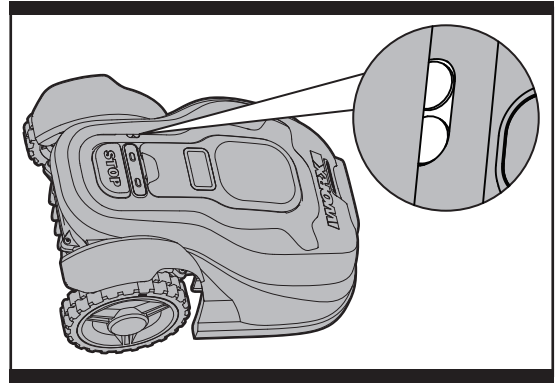
Landroid®M tottelee aina kehäjohtoon asettamaa rajaa ja käyttää kahta etuosassa sijaitsevaa anturia tunnistamaan, milloin on on lähestymässä jotakin. (Katso Kuva C)

Ennen suunnan muuttamista Landroid®M ylittää kehäjohtoon enintään 20cm*.

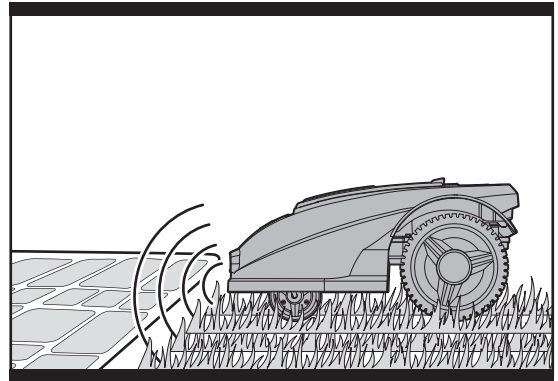
* Tämä on suositeltava etäisyys. Käytä toimitukseen kuuluvaa mittaa varmistamaan oikea asennus.

D. Käynnistyminen ja pysähtyminen nurmikkoa leikattaessa

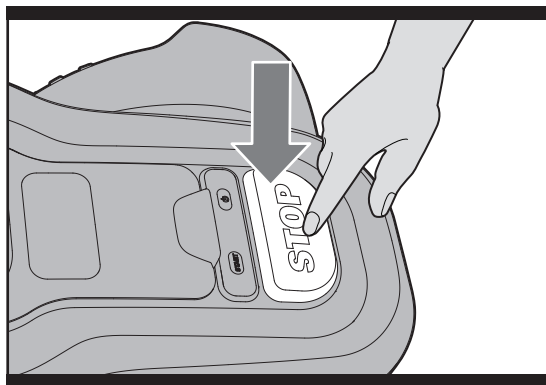
Jos haluat komentaa Landroid®M in lopettamaan nurmikon leikkaamisen, paina koneen päällä olevaa ACCESS (Käyttö) -painiketta (8) Aloita ruohonleikkuu painamalla ON/OFF-näppäintä paina suoraan käynnistysnäppäintä tai avaa ohjauspaneelin kansi, anna lisäkomentoja ja paina lopuksi käynnistyspainiketta. (Katso Kuva D,E)



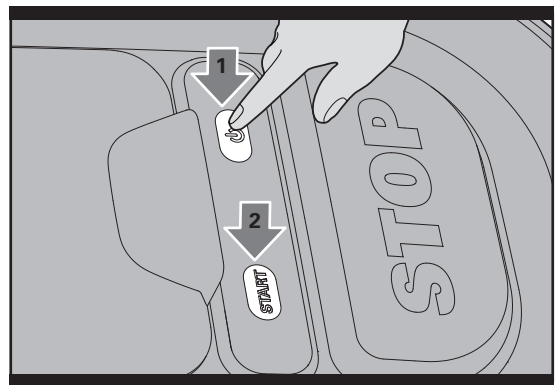
B



C



D



E

Jos Landroid®M tuntee, että jokin on vialla, se näyttää vikailmoituksen näytöllä (16), ja se sammuttaa itsensä, jos se ei saa käyttäjältä mitään syötettä 20 minuuttiin (katso tiedot vikailmoituksista Ohjelmointi ja viantsintä -oppaasta).

Jatkaminen:

- Korjaa ongelmat.
- Paina ON/OFF-näppäintä(19).
- Paina käynnistysnäppäintä.
- Nyt Landroid®M alkaa leikata nurmikkoa!

3.3 Kuinka suuren alueen Landroid®M pystyy leikkaamaan?

Landroid®M pystyy leikkaamaan pinta-alaltaan noin 1000m² suuruisen alueen, joskin todellinen ala on seuraavien tekijöiden mukainen:

- Nurmikon ruoholajike ja sen kasvunopeus.
- Terien terävyys.
- Kosteus.
- Lämpötila.
- Esteiden määrä nurmikolla.

Jos lämpötila Landroid®M-ruohonleikkurin käyttöalueella on hyvin kylmä, laite saattaa latautua hitaammin. Landroid®M käyttää vähemmän energiaa avoimilla alueilla, joilla on vähemmän esteitä, kuten kukkapenkkejä, suihkulähteitä, jalkakäytäviä jne.

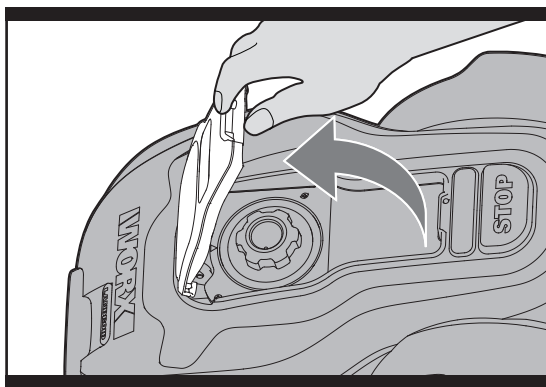
Katso seuraavasta taulukosta leikkasajakohetasuositukset leikattavan nurmikon laadun mukaan:

Alue (m ²)	Suosittelut aika päivässä (tunteina)
200	4
500	13.5
1000	27

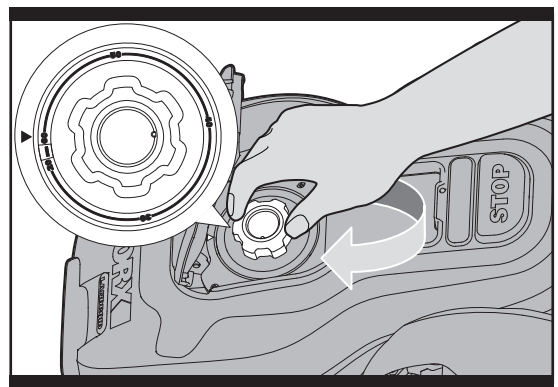
Nurmikon leikkas aika on eri pituinen erityyppisillä nurmikoilla aiemmin mainittujen tekijöiden mukaan. Muuta vähitellen päivittäistä aika, jolloin Landroid®M leikkaa nurmikkoa, kunnes asetus on kohdallaan.

3.4 Kuinka tehokkaasti Landroid®M leikkaa ruohikkoa?

Landroid®M in leikkaukorkeutta voi säätää välillä 2cm-6cm. Ennen kuin käynnistät Landroid®M in ensimmäistä kertaa, nurmikko on leikattava tavallisella ruohonleikkurilla. Varmista sitten, että avaat nurmikon leikkaukorkeuden säätökannen ja asetat Landroid®M -ruohonleikkurin enimmäisleikkaukorkeuden 6cm:iin. (Katso Kuvat F, G)



F



G

Landroid®M leikkaa parhaiten kuivalla säällä. Se ei pidä märästä ruohosta, jota saattaa kerääntyä teränkääntölevyyn ja moottoriin ja joka voi myös hidastaa vetoa ja aiheuttaa lipsumista työn aikana. Landroid®M-ruohonleikkuri pelkää ukonilmaa. Suojaa Landroid®M ukonilmalla irrottamalla latausalusta, irrottamalla kehäjohto ja varmistamalla, ettei Landroid®M pysty latautumaan.

Landroid®M -laitteesi rakastaa ruohoa ja tarvitsee hyväkuntoiset leikkuuterät saadakseen aikaan parhaan mahdollisen leikkausjäljen. Landroid®M pystyy tekemään useimmat asiat itse, mutta joskus tarvitaan lisätoimenpiteitä, jottei se vahingoita itseään.

- Älä anna Landroid®M-ruohonleikkurin koskaan liikkua sorapinnalla.
- Poista tai suojaa kohteet, joiden päälle Landroid®M voi vahingossa nousta niin, että terälevy vahingoittuu.
- Poista nurmikolta kaikki roskat ja vieraat esineet.

4. Kehäjohton perusteet

4.1 Kehäjohton kiinnittäminen

Käytä kehäjohton etäisyysmittaa (24) oikean etäisyyden asettamiseen nurmikon reunasta (noin 35cm*).

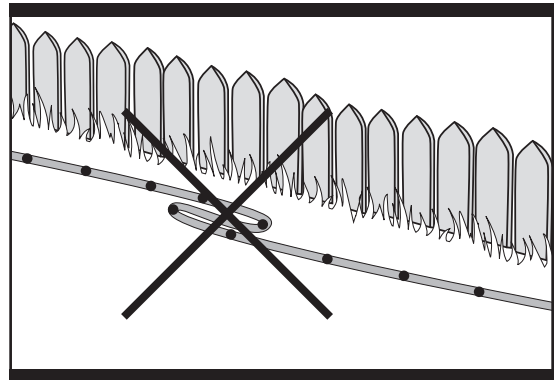
* Tämä on suositeltava etäisyys. Käytä toimitukseen kuuluvaa mittaa varmistamaan oikea asennus.

Jos myös naapurisi käyttää Landroid®M ia, kehäjohtojen välisen etäisyyden on oltava vähintään 4,5metriä.

Huomioi, että Landroid®M ei pysty vastaanottamaan signaalia yli 18m etäisyydellä olevasta kehäjohtodista.

Kehäjohton on ympäröitävä tarkoitettu nurmikon leikkausalue kokonaan. Landroid®M ei toimi oikein, jos johdossa

on ylimääräisiä mutkia tai silmukoita, jotka eivät kuulu sen leikkausalueeseen (Katso Kuva H). Jos kehäjohto on pitempi kuin leikkausalueen raja, leikkaa ylimääräinen johto pois ja säilytä sitä erikseen mahdollista tulevaa käyttöä varten. Johdon on kuitenkin oltava riittävän pitkä latausalustan liitoskohdassa, jotta sen voi liittää maahan kaivettuna.



H

4.2 Kehäjohton maahan kaivaminen

On suositeltavaa kaivaa kehäjohto muutama senttimetri maan alle. Tämä varmistaa ongelmattoman käytön vuodenajasta ja vuodesta toiseen. Voit ostaa kehäjohton maahan kaivamista varten valinnaisen WORX-maamerkkityökalun samasta liikkeestä, josta ostit Landroid®M-ruohonleikkurin.

Jos suunnittelet kehäjohton maahan kaivamista, on huomioitava, että latausalustalle ensimmäistä kertaa siirtyessään Landroid®M voi kohdata ongelmia sen mukaan, miten olet johdon asettanut. On suositeltavaa kiinnittää kehäjohto kiinnikkeillä nurmikkoon, jolloin on helppoa tehdä säätöjä, jos on tarpeen. Tämä mahdollistaa Landroid®M in säätämisen uuteen ympäristöön ja varmistaa, että sen toiminta latausalustalla onnistuu ennen kuin kehäjohto kaivetaan maahan.

4.3 Kehäjohton liittäminen

TÄRKEÄÄ: Kehäjohto ei toimi kunnolla, jos sitä on liitetty yli 200m. Kehäjohtoa (21) voi jatkaa helposti liittämällä johdon pää toiseen johtoon. Johtojen liitoskohta kannattaa eristää teipillä. (Katso Kuva I)

4.4 Käynnistys ja testiasennus

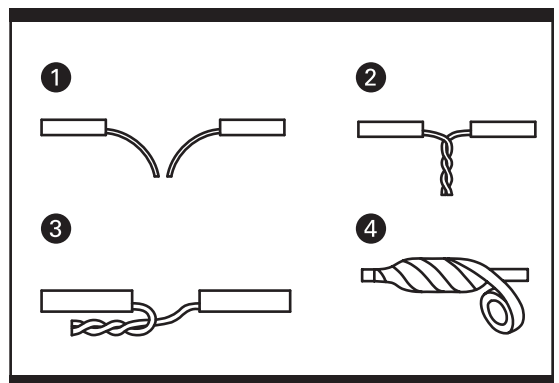
Jos vihreä valo ei syty, tarkista virtaliitännät.

Jos LED-merkkivalo vilkkuu vihreänä, tarkista onko kehäjohto liitetty hyvin.

Punainen valo palaa: lataus käynnissä.

Punainen valo vilkkuu: virheviesti, korjaa ongelmat.

Jos Landroid®M on alueensa sisäpuolella, mutta näytössä näkyy "Out of cutting area" (Leikkausalueen ulkopuolella) ja LED-valo palaa vihreänä, olet kiinnittänyt kehäjohton päät väärin. Vaihda vain johtojen paikkaa.



I

5. Kunnossapito

Landroid®M-ruohonleikkurin kunto on tarkistettava säännöllisesti. Landroid®M tekee kovaa työtä ja se on ajoittain puhdistettava hyvin, ja sen osia joutuu vaihtamaan sitä mukaa, kun ne kuluvat. Seuraavassa on tietoja, joiden avulla Landroid®M sopeutuu parhaiten toimintaympäristöönsä ja saa parasta mahdollista huoltoa.

5.1 Akkukesto

Landroid®M-ruohonleikkurin sydän on sen 28 voltin litium-ioni-akku. Mitään kunnossapitoa ei tarvita. Varmistaaksesi akun oikean säilytyksen, tarkista, että se on ladattu täyteen, ja että sen säilytyspaikka on viileä ja kuiva, ja lämpötilaltaan välillä 20-60°C.

Landroid®Min akkukesto riippuu useista tekijöistä, kuten:

- Kuinka pitkä kasvukausi on alueellasi.
- Montako tuntia Landroid®M leikkaa nurmikkoä päivittäin.
- Kuinka käsittelet akkua sen ollessa varastoituna.

Kun lataat manuaalisesti ilman kehäjohtoa, toimi seuraavien ohjeiden mukaisesti:

1. Liitä latausalusta sopivaan virtalähteeseen.
2. Telakoi Landroid®M manuaalisesti latausalustaan Landroid®M kytkettynä pois päältä.
3. Punainen valo vilkkuu 3 sekuntia; paina sitten virtapainiketta, Landroid®M alkaa latautua.

5.2 Talviuni

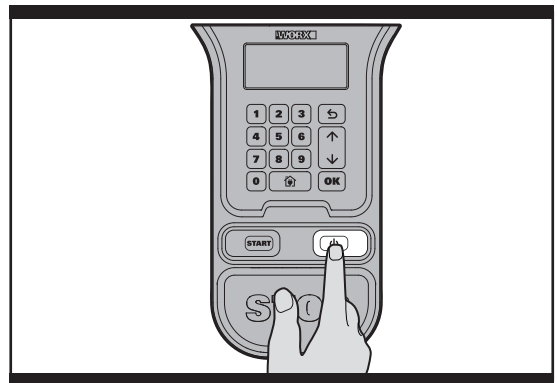
Landroid®M elää pitempään ja pysyy hyvinvoivana, jos sen annetaan nukkua talviunta. Vaikka ikävältä tuntuisikin, suosittelemme, että asetat Landroid®M-ruohonleikkurin talvisäilöön aittaan tai vajaan.

Ennen kuin asetat Landroid®M-ruohonleikkurin talviunille, varmista, että:

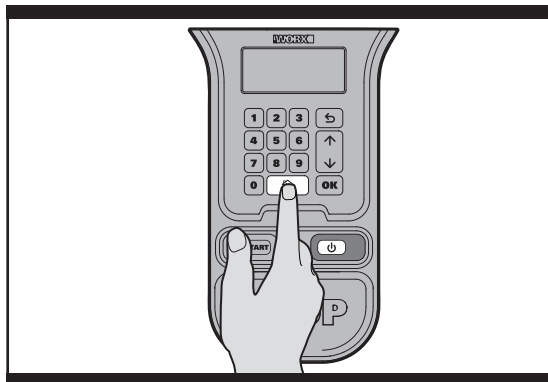
- Puhdistat Landroid®M:n perusteellisesti.
- Lataat akun täyteen.
- Kytket ruohonleikkurin Off (Pois) -asentoon.

Akkukeston maksimoimiseksi on suositeltavaa ladata akku täyteen ennen sen varastointia talven ajaksi. Vain akun ladataksesi:

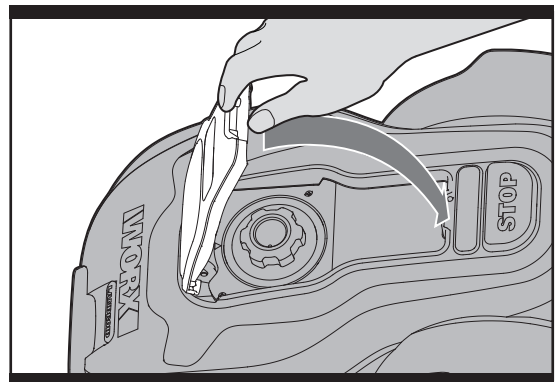
- Liitä kehäjohto (21) latausalustaan (4).
- Liitä latausalusta virtalähteeseen.
- Aseta Landroid®M latausalustalle.
- Paina On/Off-näppäintä. (Katso Kuva J)
- Paina sitten Kotinäppäintä. (Katso Kuva K)
- Sulje ohjauspaneelin kansi. (Katso Kuva L)
- Anna Landroid®M-ruohonleikkurin latautua vähintään 1,5 tuntia.



J



K



L

Kehäjohton voi jättää maahan, mutta sen päät tulee suojata esim. Rasvaa sisältävällä peltitölkillä. Jos latausalusta jätetään talveksi ulos, jätä se liittämättä virtalähteeseen.

HUOMAUTUS: Voit myös viedä Landroid®M in ennen talvisäilytystä jälleenmyyjälle perusteelliseen puhdistukseen ja viritykseen, jossa testataan laitteen toiminnot ja vaihdetaan kuluneet osat.

Kun Landroid®M herätellään henkiin talviunesta, varmista, että latausliuskat ja kontaktinastat ovat puhtaita. Puhdistukseen kannattaa käyttää hienoa hiomakangasta. Varmista sitten, että laitteen päivämäärä ja aika ovat oikeat ja lähetä Landroid®M tekemään sitä, mistä se eniten pitää: nurmikkoa leikkaamaan.

5.3 Puhtaanapito

VAROITUS: Ennen kuin pudistat Landroid®M-ruohonleikkurin, kytke se OFF (Pois) -tilaan painamalla ON/OFF (Päälle/Pois) -painike OFF (Pois) -tilaan. Käytä suojakäsineitä puhdistaessasi terälevyä (16), älä puhdista juoksevalla vedellä. (katso kuvat J, K, L)

A. Rungon puhdistaminen

Landroid®M elää paljon onnellisemman ja pitemmän elämän, jos se puhdistetaan säännöllisesti. Koska Landroid®M on sähkölaite, sinun on oltava varovainen sitä puhdistaessasi, joten ÄLÄ käytä vesilettoa tai kaada muuten vettä Landroid®M-ruohonleikkurin päälle. Puhdistuksessa kannattaa käyttää vedellä täytettyä suihkepulloa. Käytä vain pehmeää harjaa tai puhdasta kangasta puhdistaessasi laitetta ja vältä käyttämästä liuottimia tai kiillotusaineita (katso kuva M). Varmista lopuksi, että poistat kaiken kertyneen ruohon ja roskat.

B. Pohjan puhdistaminen

Jälleen on tärkeää, että kytket Landroid®M-ruohonleikkurin OFF (Pois) -asentoon painamalla ON/Off (Päälle/Pois) -painiketta, ja että **käytät suojakäsineitä, kun käsittelet terälevyä.**

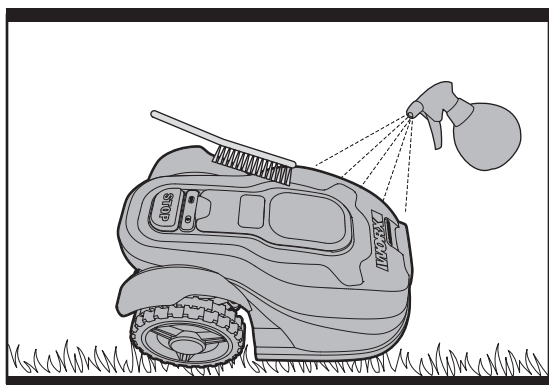
Käännä Landroid®M ensin ylösalaisin nähdäksesi sen pohjan. Tässä näet terälevyn (a), ympäröivän moottorirunkolaatikon (b) ja etu- ja vetopyörät. Pyyhi kaikki perusteellisesti pehmeällä harjalla tai kostutetulla liinalla. (Katso Kuva N)

Kierrä terälevyä varmistaaksesi, että se liikkuu vapaasti, ja ettei mitään on joutunut sen ja ympäröivän moottorirunkolaatikon väliin. Varmista myös, että terät pyörivät vapaasti ja ettei ruohoa ole pyörimisen esteenä.

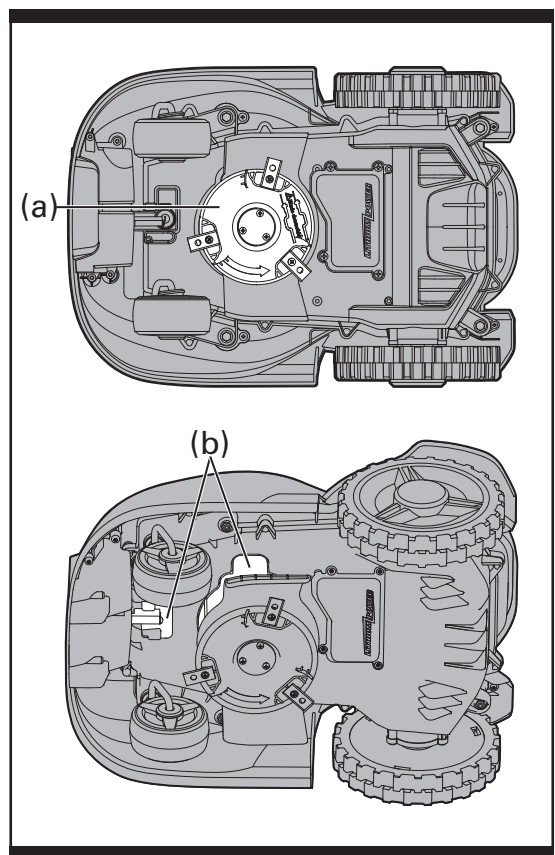
TÄRKEÄÄ: Poista kaikki juuttuneet roskat, jotteivät ne aiheuta terälevyn halkeamista. Hyvinkin pieni halkeama voi huonontaa Landroid®M in nurmikon leikkaustulosta.

C. Puhdista kontaktinastat ja latausnauhat

Puhdista pehmeällä liinalla latausalustan kontaktinasta ja Landroid®M-ruohonleikkurin latausnauha. Poista säännöllisesti kaikki kertynyt leikkuujäte ja roskat kontaktinastojen ja latausnauhojen ympäriltä varmistaaksesi Landroid®M in latauksen onnistumisen joka kerta.



M



N

5.4 Pidä terävänä



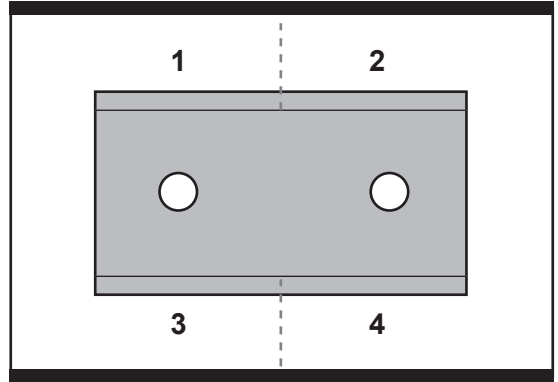
VAROITUS: Ennen puhdistusta, säätöä tai terien vaihtoa kytke Landroid®M OFF (Pois) -asentoon painamalla ON/OFF (Päälle/Pois) -painike OFF (Pois) -asentoon ja käytä suojakäsineitä.



VAROITUS: Teriä vaihtaessasi sinun tulee varmistaa, että vaihdat **KAIKKI** terät samalla kertaa. Jos terä on uusi, mutta ruuvi uudelleenikäytetty, ruuvi voi löystyä irti nurmikkoa leikattaessa ja terä singota ruohonleikkurista suurella voimalla. Tämä voi aiheuttaa vakavan vamman.

Landroid®M leikkaa nurmikkoa eri tavoin kuin muut ruohonleikkurit. Sen terät ovat partaveitsenteräviä kaikilta neljältä sivulta ja ne pyörivät molempiin suuntiin maksimileikkauskapasiteetin varmistamiseksi. (Katso Kuva O)

Jokaisessa Landroid®M-ruohonleikkurin terässä on neljä leikkuureunaa. Sen mukaan, kuinka usein Landroid®M leikkaa nurmikosi, terät on käännettävä/kierrettävä ajoittain uuden leikkausreunan käyttöön ottamiseksi. Jos Landroid®M on ohjelmoitu leikkaamaan nurmikkoa joka päivä, teriä on kierrettävä kuukausittain parhaan leikkaustuloksen varmistamiseksi. Leikkuuterät kestävät 4 kuukautta, kun laite on ohjelmoitu leikkaamaan nurmikkoa joka päivä. Kun leikkausterät tylsyvät ja kuluvat, ne on vaihdettava Landroid®M in toimitukseen kuuluviin varateriin. Varateriä on saatavana myös lähimmältä Worx-jälleenmyyjältä.



O

A. Terien kiertäminen ja kääntäminen

Landroid®M:ssä on kolme terää, jotka on kaikki ruuvattu kiinni laitteen terälevyyn. Terät ovat osa, joiden avulla Landroid®M-ruohonleikkuri pystyy tekemään tehtävänsä, ja ne vaativat huomiota ja huolenpitoa. Sinun on ajoittain kierrettävä ja käännettävä samalla kertaa kaikki kolme terää täydellisen leikkauksen varmistamiseksi. Kun kierrät ja käännät terät, varmista, että säädät kaikki terät samalla kertaa, muuten terälevy voi joutua epätasapainoon. Jos Landroid®M:llä leikataan nurmikkoa normaalin aikataulun mukaisesti (päivittäin), terien pitäisi kestää vähintään yksi kasvukausi, jos ne kierretään ja käännetään kerran kuukaudessa. Tarkista aina terät halkeilun tai vahingoittumisen varalta ja vaihda ne tarvittaessa.

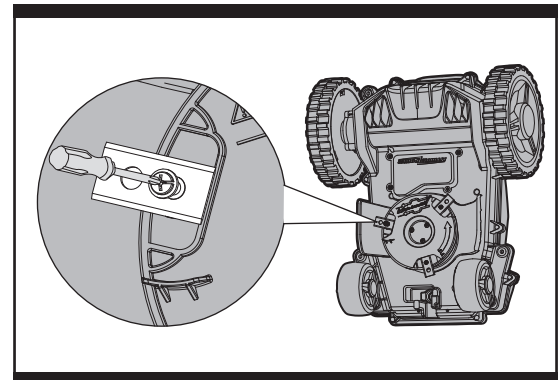
B. Terien vaihto

Jonkin ajan kuluttua, yleensä joka kasvukausi, Landroid®M in terät on vaihdettava. Landroid®M ei pidä nurmikon leikkaamisesta erikäsillä ja -laatuksilla terillä. Joten kun vaihdat teriä, varmista, että vaihdat ne kaikki samalla kertaa. Voit vaihtaa terien tilalle yhden kolmesta varateräsarjasta ja ylimääräiset, Landroid®M in toimitukseen kuuluvat teräruuvit.

Ennen kuin yrität vaihtaa Landroid®M -laitteesi teriä, sammuta virta ja käytä suojakäsineitä. Toimi sitten seuraavasti:

1. Käännä Landroid®M varovasti ylösalaisin.
2. Irrota terien ruuvit suoralla tai Phillips-ruuvimeisselillä.
3. Ruuvaa uudet terät tiukasti paikalleen. (Katso Kuva P)

TÄRKEÄÄ: Kun olet ruuvannut terät kiinni terälevyyn, varmista, että terä pyörii vapaasti.



P

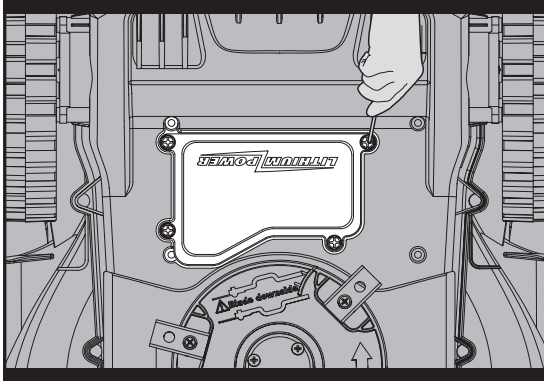
5.5 Akun vaihto



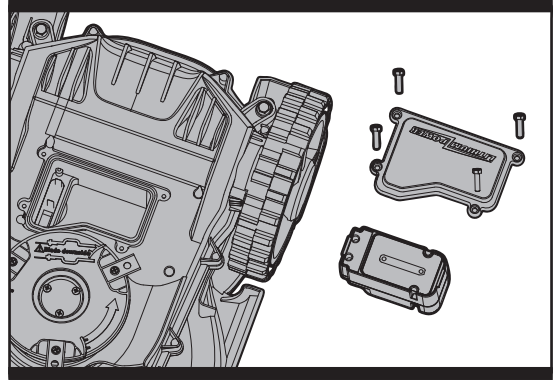
VAROITUS: Paina **ON/OFF (Päälle/Pois)** -näppäin **OFF (Pois)** -asentoon, ennen kuin aloitat mitään säätöä, vaihtoa tai korjausta.

Jos akku pitää vaihtaa, toimi seuraavasti:

1. Käännä Landroid® M varovasti ylös alaisin.
2. Poista akun kuusi ruuvia. (Katso Kuva Q)
3. Poista vanha akku. (Katso Kuva R)
4. Aseta uusi akku paikalleen.
5. Ruuvaa neljä ruuvia tiukasti takaisin paikoilleen.



Q



R

Ympäristönsuojelu



Elektroniikkaromu ei saa hävittää kotitalousjätteen mukana. Toimita elektroniikkaromu asianmukaisiin keräyspisteisiin. Kysy paikallisviranomaisilta tai jälleenmyyjältä kierrätysohjeita.

Vaatimustenmukaisuusvakuutus

Me,
POSITEC Germany GmbH Konrad-Adenauer-Ufer 37 50668 Köln

Vakuutamme täten, että tuote

Selostus **WORX Nurmikon leikkausrobotti**

Tyyppi **WG794E (790-799-koneen määrittäykset, esimerkki Nurmikon leikkausrobotti)**

Toiminto **Ruohon leikkaaminen**

Täyttää seuraavien direktiivien määräykset:

Konedirektiivi **2006/42/EY**

Direktiivi sähkömagneettisesta yhdenmukaisuudesta **2004/108/EY**

RoHS Direktiivi **2011/65/EU**

**Ulkona käytettävien laitteiden ympäristömeludirektiivi
2000/14/EY ja sen lisäys 2005/88/EC**

Yhdenmukaisuuden arviointi perusteilla: **Liite V:n mukaisesti**

Mitattu äänenvoimakkuuden taso: **61.95dB(A)**

Ilmoitettu taattu äänenvoimakkuuden taso: **63dB(A)**

Yhdenmukaisuusstandardit

EN ISO 12100-1

EN ISO 12100-2

EN ISO 14121-1

EN ISO 3744

EN 55014-1

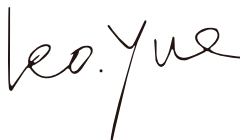
EN 55014-2

Henkilö valtuutettu kääntämään teknisen tiedoston,

Nimi Russell Nicholson

Osoite Positec Power Tools (Europe) Ltd, PO Box 152, Leeds, LS10 9DS, UK

49



2012/12/24

Leo Yue

POSITEC Laatupäällikkö

PIN-koodialue:

ORIGINAL DRIFTSINSTRUKS

INNHOLDSFORTEGNELSE

1. Sikkerhetsanvisninger	51
1.1 Generelle og spesifikke sikkerhetsadvarsler	51
1.2 Informasjon om Landroid®M	53
2. Tekniske data og innhold i esken	54
2.1 Tekniske data	54
2.2 Komponentliste	55
3. Forstå Landroid®M	57
3.1 Hvordan vet Landroid®M hva som skal klippes?	57
3.2 Hvordan vet Landroid®M hvor den skal?	58
A. Finne ladestasjonen	58
B. Regnsensor	58
C. Registrere grenseledningen	58
D. Starte og stoppe under klipping	58
3.3 Hvor stort område kan Landroid®M klippe?	59
3.4 Hvor effektivt klipper Landroid®M gresset?	59
4. Grunnleggende om grensetråden	60
4.1 Feste grensetråden	60
4.2 Grave ned grensetråden	60
4.3 Skjøte grensetråden	60
4.4 Slå på og teste installasjonen	60
5. Vedlikehold	61
5.1 Batterilevetid	61
5.2 Vinterdvale	61
5.3 Holde den ren	62
A. Rengjøre chassiset	62
B. Rengjøring av undersiden	62
C. Rengjør kontaktpinnene og ladestripene	62
5.4 Holde den skarp	63
A. Bytte om på og vende bladene	63
B. Bytte bladene	63
5.5 Bytte batteriet	64
6. Samsvarserklæring	65

1. Sikkerhetsanvisninger

1.1 Generelle og spesifikke sikkerhetsadvarsler

 **ADVARSEL! Les gjennom alle advarslene og alle anvisningene. Hvis advarslene og anvisningene ikke følges, kan det forårsake elektriske støt, brann og/eller alvorlige skader.**

Les nøye gjennom anvisningene for trygg bruk av maskinen.

Ta vare på alle advarsler og anvisninger slik at du kan lese dem senere.

- Dette produktet er ikke ment for bruk av personer (også barn) med begrensede fysiske, sensoriske eller mentale funksjonsevner, eller som mangler erfaring eller kunnskaper, hvis de ikke blir passet på eller har fått opplæring i bruk av produktet av en person som er ansvarlig for deres sikkerhet.
- Barn bør holdes under oppsyn for å være sikker på at de ikke leker med produktet.

VIKTIG

LES NØYE FØR BRUK

TA VARE PÅ TIL SENERE BRUK

RUTINER FOR TRYGG BRUK

OPPLÆRING

- a) Les nøye gjennom anvisningene. Vær sikker på at du forstår anvisningene, og er fortrolig med knappene og hvordan produktet skal brukes på riktig måte.
- b) Ikke la personer som ikke kjenner anvisningene, eller barn, bruke produktet. Lokale bestemmelser kan angi aldersgrense for bruk.
- c) Brukeren er ansvarlig for ulykker eller fare andre personer utsettes for, på sin eiendom.

Forberedelser

- a) Kontroller at installeringen av det automatiske grensoppstrekingssystemet er gjort iht. anvisningene.
- b) Foreta jevnlige inspeksjoner av området der produktet skal brukes, og fjern alle steiner, pinner, ledninger, bein og andre fremmedlegemer.
- c) Se etter skader eller slitasje på bladene, bladskruene og kuttemonteringen med jevne mellomrom. Bytt ut hele settene av slitte eller skadde blader og skruer for å sikre at de er balansert.
- d) Multispindelprodukter bør håndteres forsiktig, fordi et roterende blad kan få andre blader til å rotere.

BRUK

1. GENERELT

- a) Produktet skal aldri brukes med defekt beskyttelse, eller uten sikkerhetsenheter som for eksempel deflektorer, på plass.
- b) Hender og føtter skal ikke komme nær eller under roterende deler. Aldri kom nær utslippsåpningen.
- c) Aldri løft eller bær et apparat med motoren i gang.
- d) Skru av maskinen
 - Før noe som blokkerer fjernes.
 - Før du kontrollerer, renser eller arbeider med apparatet.
- e) Det er ikke tillatt å endre på originalutformingen av robotgressklipperen. Alle endringer gjøres på egen risiko.
- f) Start robotgressklipperen iht. anvisningene. Når hovedbryteren er i PÅ-stillingen, må hender og føtter holdes i trygg avstand til de roterende bladene. Du må aldri ha hender eller føtter under gressklipperen.
- g) Robotgressklipperen skal aldri løftes eller bæres når hovedbryteren er i PÅ-stilling.
- h) Personer som ikke vet hvordan robotgressklipperen fungerer eller virker, skal ikke bruke den.
- i) Ikke legg noe på toppen av robotgressklipperen eller ladestasjonen.
- j) Robotgressklipperen skal ikke brukes hvis bladskive eller konstruksjon er defekt. Den bør heller ikke brukes hvis blader, skruer, muttere eller kabler er skadet.
- k) Ikke bruk robotgressklipperen hvis hovedbryteren ikke fungerer.
- l) Slå alltid av robotgressklipperen med hovedbryteren når du ikke skal bruke den. Robotgressklipperen kan bare startes når hovedbryteren står i PÅ-stilling og riktig PIN-kode er skrevet inn.

2. I TILLEGG, NÅR PRODUKTET GÅR AUTOMATISK

- a) Ikke la maskinen gå uten oppsyn hvis du vet at det er kjæledyr, barn eller andre personer i nærheten.

3. I TILLEGG, NÅR MANUELL KONTROLL BRUKES

- a) Gresset skal klippes i dagslys eller med godt kunstig lys.
- b) Ikke bruk utstyret når gresset er vått.

- c) Ikke bruk utstyret når du er barføtt eller bruker åpne sandaler. Alltid bruk godt fottøy og langbukse.
- d) Pass på at du har godt fotfeste i bakker.
- e) Vær veldig forsiktig når du beveger produktet bakover i retning mot deg.
- f) Motoren skal slås på iht. anvisningene, og hold føttene i god avstand til bladene.

VEDLIKEHOLD OG LAGRING



ADVARSEL! Når gressklipperen er snudd opp-ned, skal hovedbryteren alltid stå i AV-stilling. Hovedbryteren skal stå i AV-stilling når du gjør noe under den, som rengjøring eller bytting av blader.

- a) Pass på at alle muttere, bolter og skruer er godt festet slik at produktet kan brukes på en trygg måte.
- b) Sjekk robotgressklipperen hver uke og bytt ut slitte eller skadde deler, av sikkerhetshensyn.
- c) Spesielt bladene og bladskiven må sjekkes for skader. Bytt om nødvendig ut alle blader og skruer samtidig, slik at de roterende delene er balansert.
- d) Kontroller at det bare brukes kuttedeler av riktig type.
- e) Kontroller at batteriet lades med riktig lader anbefalt av produsenten. Feil bruk kan føre til elektrisk støt, overoppheting eller lekkasje av etsende væske fra batteriet.
- f) Hvis elektrolytt lekker ut, skyl med vann/nøytraliserende middel, og oppsøk lege hvis det kommer i kontakt med øynene, osv.
- g) Service på produktet skal foretas i henhold til produsentens anvisninger.

Transport

Bruk originalemballasjen når robotgressklipperen skal fraktes over lengre avstander.

Slik beveger du deg trygt fra eller innenfor arbeidsområdet:

- a) Trykk på STOP-tasten for å stoppe gressklipperen. Hvis tyverialarmen er aktivert, tast det første tallet av PIN-koden. Du velger en firesifret PIN-kode når du starter gressklipperen første gang.
- b) Sett hovedbryteren i AV-stilling hvis du skal bære gressklipperen.
- c) Gressklipperen skal bæres ved å holde i håndtaket bak på undersiden av den. Bær gressklipperen med bladskiven pekende vekk fra kroppen.

1.2 Informasjon om Landroid® M



ADVARSEL – Robotgressklippere kan være farlige hvis de brukes på feil måte.

Les nøye gjennom bruksanvisningen og pass på at du forstår innholdet før du bruker robotgressklipperen.



ADVARSEL – Hold deg på god avstand fra maskinen når du bruker den.



ADVARSEL – Slå gressklipperen av før du utfører arbeide på eller løfter maskinen.

Hold hender og føtter unna de roterende bladene. Aldri plasser hender eller føtter inntil eller under maskinen mens PLENKLIPPERROBOTEN er i gang.

Robotgressklipperen kan bare starts når PÅ/AV knappen trykkes PÅ og den korrekte PIN-koden er tastet. Inspeksjon og/eller vedlikehold skal bare utføres når AV/PÅ-tasten er trykket på og deaktivert.



ADVARSEL – Ikke ri på maskinen.



Må ikke brennes



Må ikke kastes i vann



Batterier må resirkuleres



Batterier inneholder Li-Ion. Brukte batterier må leveres til gjenvinning. Brukte batterier må ikke kastes som husholdningsavfall.

Li-Ion




Ikke kast elektroprodukter som ikke kan brukes lenger, i vanlig søppel. De må leveres inn til miljøvennlig resirkulering. Du kan få råd om resirkulering hos kommunen eller en forhandler.

2. Tekniske data og innhold i esken


2.1 Tekniske data

Type: **WG794E (790-799-betegner maskin, anger Robot-gressklipper)**

Merkespenning	28V  Maks.*
Hastighet uten belastning	2800/min
Skjærediameter	180mm
Klippehøyde	20-60mm
Klippehøyde posisjoner	5
Batteri type	Litium-Ion
Batteri modell	WA3225
Ladings tid	Ca. 1,5 t
Lade modell	WA3716
Lade vurdering	Inngang: 100-240V~50/60Hz, 50W Utgang: 24-28V likestrøm, 1,5A
Maskinens vekt	8.3kg
Beskyttelsesklasse	IPX4

* Spenning målt uten belastning. Batterispenningen er 28V til å begynne med. Nominell spenning er 25.2V.

Støyinformasjon

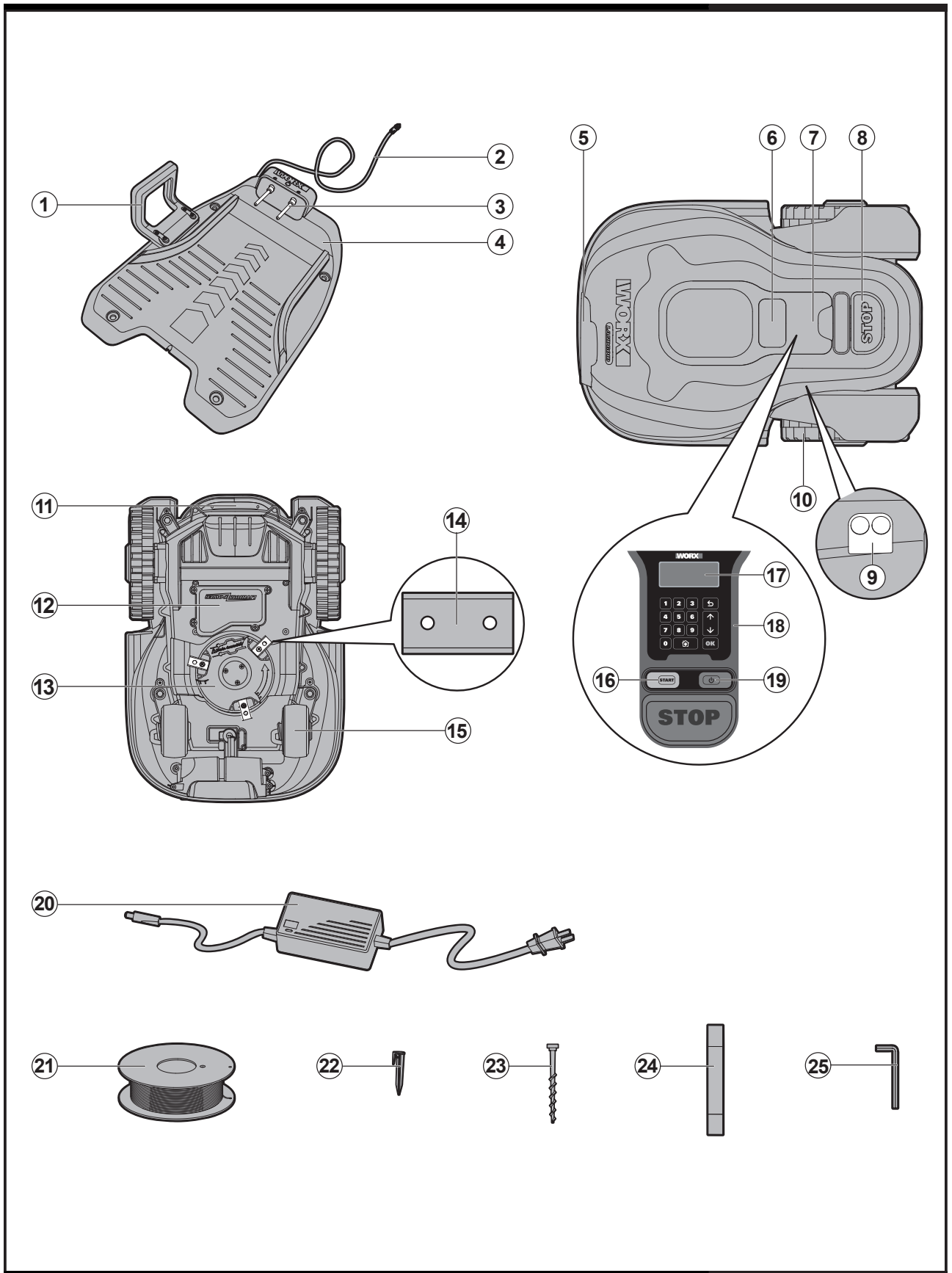
Belastning lydtrykk	44.5dB(A), K_{PA} : 3.25dB(A)
Belastning lydtrykk	63dB(A)
Bruk hørselsvern når lydtrykket er over	80dB(A) 

Tilleggsutstyr

Ladestasjon med 15-meters forlengerkabel	1
Blader og skruer	9
Begrensningspinner	200
180m grenseledningen	1
Festeskruer til ladestasjonen	4
Strømadapter	1
Avstandsmåler for grenseledning	1
Sekskantnøkkel	1

Vi anbefaler at du kjøper alt ekstrautstyr fra butikken der du kjøpte dette verktøyet. Anvend godt kvalitetsekstrautstyr, merket med et velkjent varemerke. Velg kvalitet i henhold til det arbeidet du akter å gå i gang med. Henviser til tilbehørspakningen for videre detaljer. Butikkpersonalet kan også gi hjelp og råd.

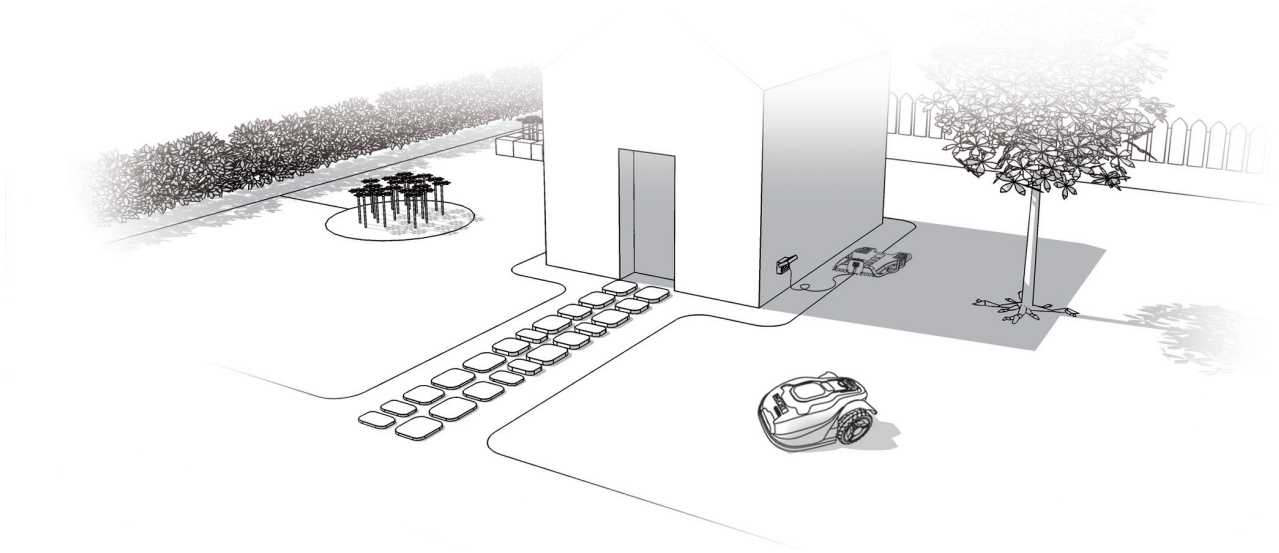
2.2 Komponentliste



-
- 1. HÅNDTAK**
 - 2. LAVSPENNINGSKABEL**
 - 3. KONTAKTPINNER**
 - 4. LADEBASE**
 - 5. LADESTRIFE**
 - 6. SKJERMVINDU**
 - 7. KONTROLLPANELDEKSEL**
 - 8. STOPP-TAST**
 - 9. REGSENSOR**
 - 10. DRIVHJUL**
 - 11. HÅNDTAK**
 - 12. BATTERIPAKKE**
 - 13. DREIESKIVE MED SKJÆREBLAD**
 - 14. SKJÆREBLAD**
 - 15. FORHJUL**
 - 16. START-TAST**
 - 17. VISNING**
 - 18. TASTATUR**
 - 19. PÅ/AV-TAST**
 - 20. STRØMADAPTER**
 - 21. GRENSETRÅD (180m)**
 - 22. TRÅDPLUGGER**
 - 23. FESTESPIKER FOR LADEBASEN**
 - 24. AVSTANDSHOLDER TIL GRENSETRÅD**
 - 25. SEKSKANTNØKSEL**
-

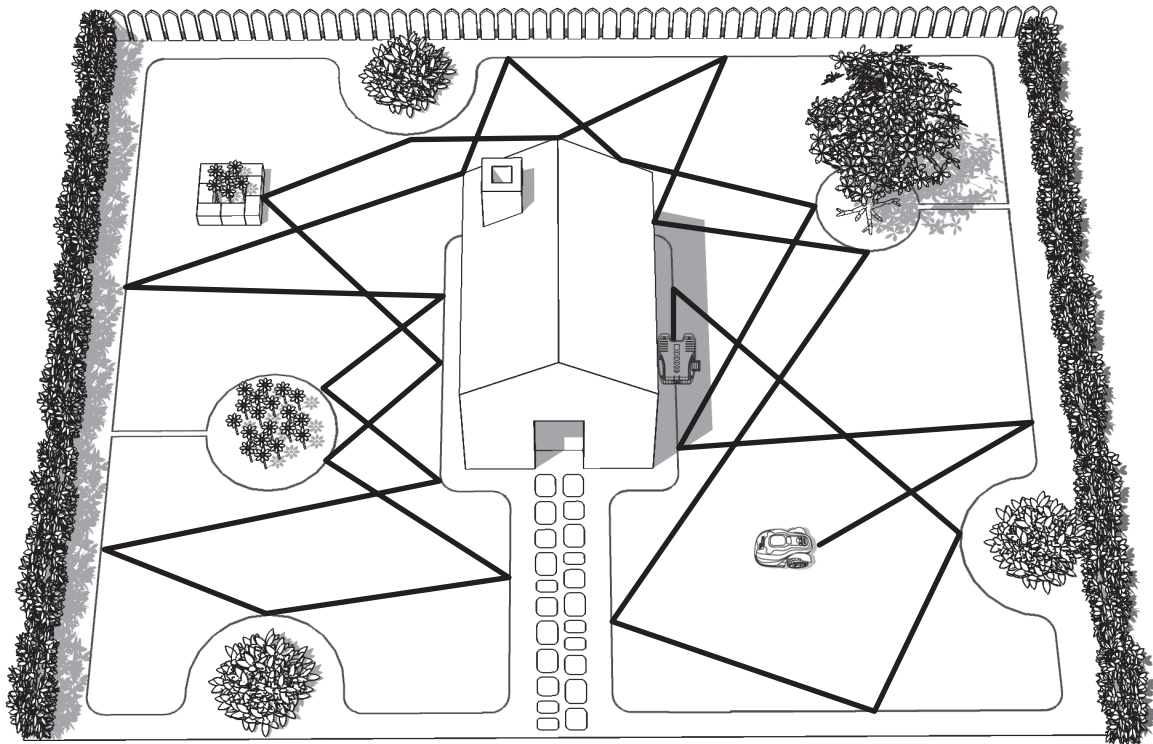
3. Forstå Landroid® M

Vi vil gjerne få gratulere deg med din nye Landroid® M og et bekymringsfritt liv med automatisk gressklipping. Nedenfor skal vi hjelpe deg med å forstå hvordan Landroid® M tenker.



3.1 Hvordan vet Landroid® M hva som skal klippes?

Landroid® M velger retning helt tilfeldig, og gjentar aldri et klippemønster. Den sikrer at hele plenen klippes jevnt uten å etterlate uskjønne klippestier. (Se Figur A)



A

3.2 Hvordan vet Landroid®M hvor den skal?

Landroid®M kan gjøre ting på egenhånd. Landroid®M vet når den må til ladestasjonen for å lades, kan føle når det regner, kan stoppe av seg selv hvis den oppdager et problem, og vet hvordan den stopper og snur hvis den treffer noe som står i veien, for eksempel en person, et kjæledyr, eller noe annet. For å unngå skade vil Landroid®M automatisk stoppe rotasjon av knivplaten hvis klipperen løftes av bakken.

A. Finne ladestasjonen

Når Landroid®M må lades opp, slutter den å klippe og følger grenseledningen i retning mot klokken tilbake til ladestasjonen. For å spare strøm, roterer ikke Landroid®M bladskiven mens den returnerer til ladestasjonen.

B. Regnsensor

Landroid®M har en regnsensor bak, som registrerer regndråper og forteller Landroid®M at den må slutte å klippe og følge grenseledningen tilbake til ladestasjonen. (Se Figurene B) Landroid®M kan programmeres slik at starten forsinkes (0–180min) etter at det har regnet. Når regnsensorene blir våte, går Landroid®M tilbake til forankringsstasjonen. Nedtellingen til start begynner først når regnsensorene er tørre, og Landroid®M begynner straks å klippe plenen hvis forsinkelsen er null. Nærmere detaljer finnes i veiledningen om programmering og feilsøking.

C. Registrere grenseledningen

Landroid®M adlyder alltid grensen angitt av grenseledningen, og den har to sensorer foran som den bruker til å registrere om den kommer nærmere. Før den endrer retning, krysser Landroid®M grenseledningen med inntil 20 centimeter *(Se Figurene C).
* Dette er den anbefalte avstanden. Bruk den medfølgende avstandsholderen for å sikre riktig installasjon.

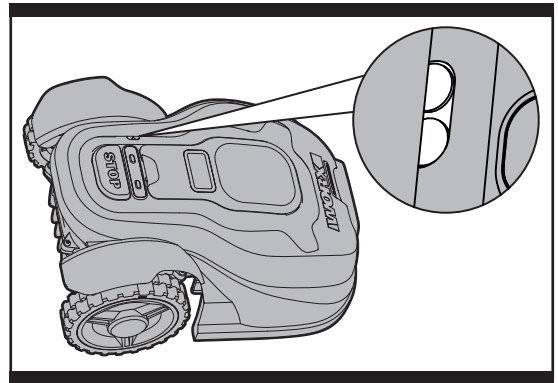
D. Starte og stoppe under klipping

Hvis du vil kommandere Landroid®M til å avslutte plenklippingen, er det bare å trykke på STOPP-tasten (8) på toppen av gressklipperen. Slik startes plenklippingen igjen: Trykk PÅ/AV-tasten og trykk deretter starttasten direkte, eller åpne kontrollpaneldekslet og angi ytterligere kommandoer før START-tasten trykkes (Se Figurene D, E).

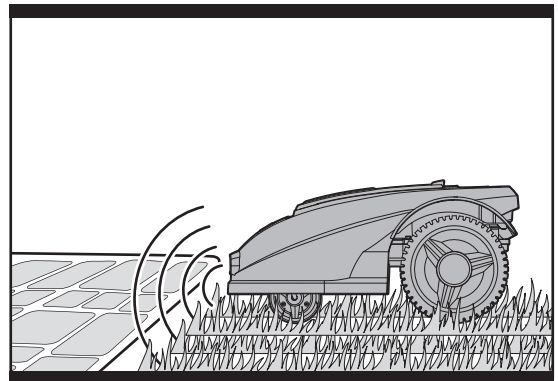
Hvis Landroid®M føler at noe er galt, viser den en feilmelding på skjermen (16) og slår seg av hvis den ikke mottar innmatning fra brukeren innen 20 minutter. (Nærmere detaljer finnes i veiledningen om programmering og feilsøking.)

Slik gjenopptas arbeidet:

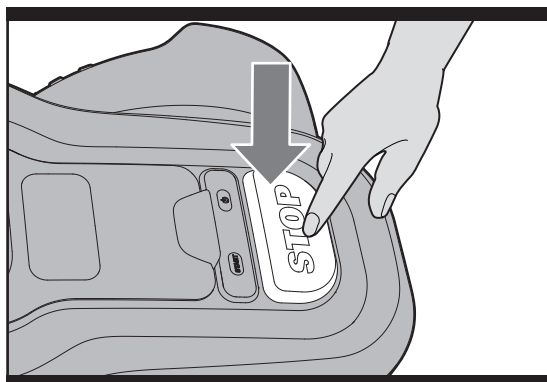
- Korriger problemene.
- Trykk på PÅ/AV-tasten (19).
- Trykk på START-tasten.
- Så begynner Landroid®M å klippe plenen!



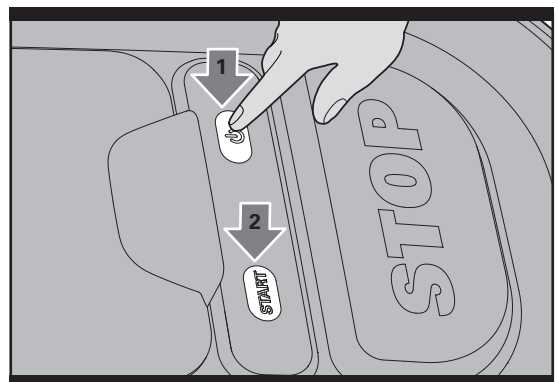
B



C



D



E

3.3 Hvor stort område kan Landroid®M klippe?

Landroid®M kan klippe områder inntil 1000m², men dette avhenger av flere faktorer:

- Gresstype og veksthastighet.
- Skarpheten til bladene.
- Luftfuktighet.
- Utetemperatur.
- Mengden hindringer på plenen.

Hvis det er veldig kaldt der du bor, kan det hende Landroid®M lades litt senere. Landroid®M bruker mindre strøm i åpne områder med få hindringer, som blomsterbed, fontener, gangveier, osv ...

Oversikten nedenfor viser forslag til klippetid etter størrelsen på plenen:

Område (m ²)	Anbefalt tid per dag (time)
200	4
500	13.5
1000	27

Klippetider er forskjellige fra plen til plen pga faktorene vi har nevnt tidligere. Foreta en gradvis justering av tiden som Landroid®M skal klippe hver dag, til du finner den innstillingen som passer best.

3.4 Hvor effektivt klipper Landroid®M gresset?

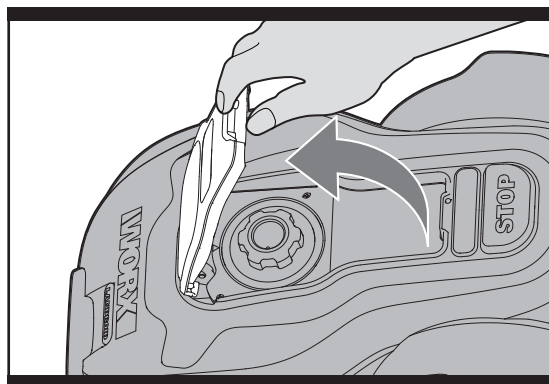
Landroid®M's klippehøyde kan justeres fra 2-6 centimeter. Før du starter Landroid®M for første gang, bør du klippe gresset med en vanlig gressklipper. Deretter må du åpne dekslet for justering av gresslengde og angi maksimum klippehøyde for Landroid®M, som er 6 centimeter (Se Figurene F,G).

Landroid®M klipper best når det er tørt ute. Den liker ikke vått gress som kan legge seg på knivskiven og i motoren, og det kan også føre til at den mister trekkraft og at den slurer under bruk.

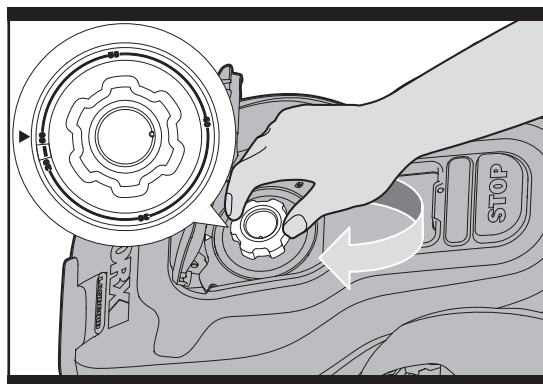
Landroid®M er redd for lyn og torden. Hvis det begynner å lyste, beskytter du Landroid®M ved å fjerne strømledningen fra ladestasjonen, koble fra grenseledningen, og sikre at Landroid®M ikke lades.

Din Landroid®M elsker å klippe gress og knivbladene må holdes i god stand for å yte sitt beste. Landroid®M kan gjøre det meste på egenhånd, men trenger av og til litt hjelp av deg for at den ikke skal skade seg.

- Aldri la Landroid®M kjøre over grus.
- Fjern eller blokker hindringer som Landroid®M kan klatre på slik at disskiven skades.
- Fjern alt avfall og alle fremmedlegemer fra plenen.



F



G

4. Grunnleggende om grensetråden

4.1 Feste grensetråden

Bruk avstandsmålet (24) for grensetråden til å bestemme riktig avstand fra kanten av plenen (ca. 35cm*).

* Dette er den anbefalte avstanden. Bruk den medfølgende avstandsholderen for å sikre riktig installasjon.

Hvis naboen også bruker en Landroid®M, må du sørge for at det er minst 4.5 meter mellom din grensetråd og naboen.

Vær oppmerksom på at Landroid®M ikke er i stand til å motta et signal fra grensetråden over en større strekning enn 18m.

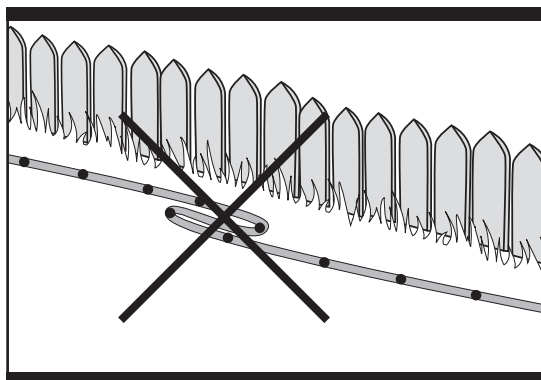
Grensetråden må nøyaktig avgrense det tilsiktede

området som skal klippes. Landroid®M kan bli forvirret av ekstra svinger eller kveiler av grensetråd som ikke hører til klippeområdet

(Se Figurene H). Hvis det blir noe grensetråd til overs etter at

klippeområdet er blitt angitt, må den overskytende tråden klippes av og oppbevares på et annet sted. Pass imidlertid på at

tråden har tilstrekkelig lengde til å nå frem til ladebasen for tilkobling og fortsatt være nedgravd.



H

4.2 Grave ned grensetråden

Vi anbefaler at du graver grensetråden noen få centimeter ned i bakken. Dette gir problemfri drift år etter år, sesong etter sesong. Til hjelp for å grave ned grensetråden kan du anskaffe tilleggsverktøyet WORX Territorialmarker i samme forretning som du kjøpte Landroid®M.

Når du planlegger å grave ned grensetråden, må du være oppmerksom på at Landroid®M kan få problemer med å finne ladebasen den første gangen etter at grensetråden er lagt om. Vi anbefaler derfor at du først plugger grensetråden på plenen, slik at det er lett å foreta justeringer om nødvendig. På denne måten blir Landroid®M kjent i de nye omgivelsene. Dette sikrer vellykket samspill med ladebasen før grensetråden graves ned.

4.3 Skjøte grensetråden

VIKTIG: Grensetråden virker ikke ordentlig hvis den skjøtes til en lengde på over 200m.

Grensetråden (21) kan utvides ganske enkelt ved å avisolere en ende og spleise den til den avisolerte enden av en annen tråd. Bruk isolasjonsteip til å holde de spleisende endene av tråden sammen. (Se Figurene I)

4.4 Slå på og teste installasjonen

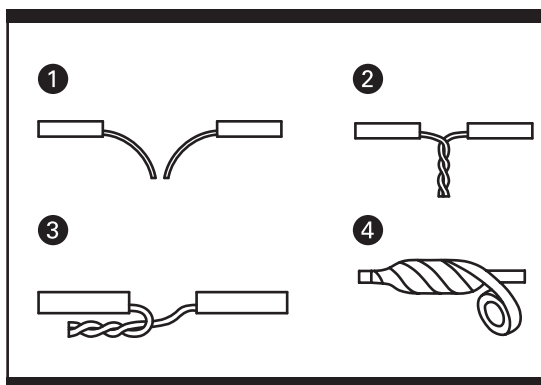
Hvis det grønne lyset ikke tennes, må du kontrollere strømtilkoblingene.

Hvis LED-lampen blinker grønt, må du kontrollere om grensetråden har god kontakt.

Rødt lys på: lader.

Rødt lys blinker: feilmelding – korriger problemene.

Hvis Landroid®M er inne på området sitt, men dataskjermen sier «out of cutting area» (utenfor klippeområdet) og LED-lampen lyser grønt, betyr det grensetrådets ender er terminert feil. Da er det bare å bytte dem.



I

5. Vedlikehold

Landroid®M bør sjekkes av og til. Landroid®M jobber hardt, og over tid trenger den en skikkelig rengjøring, og deler må byttes når de er slitt. Nedenfor skal vi forklare deg hvordan du lar din nye Landroid®M tilpasse seg sitt nye hjem ved å gi den best mulig stell.

5.1 Batterilevetid

Hjertet i Landroid®M er litium-ionbatteriet på 28V. Intet vedlikehold kreves. Riktig oppbevaring av batteriet innebærer at det er fulladet og settes på et tørt sted med en temperatur mellom 20° og 60°C.

Levetiden til Landroid®Ms batteri avhenger av forskjellige faktorer, som for eksempel:

- Hvor lang klippesesongen er der du bor.
- Hvor mange timer Landroid®M klipper per dag.
- Hvordan batteriet behandles under lagring.

Følg trinnene nedenfor for manuell ladning uten grensetråden:

1. Koble ladebasen til en passende strømkilde.
2. Forankre Landroid®M manuelt i ladebasen mens Landroid®M er slått av.
3. Den røde lampen blinker i 3 sekunder. Trykk deretter på PÅ/AV-tasten, så begynner Landroid®M ladingen.

5.2 Vinterdvale

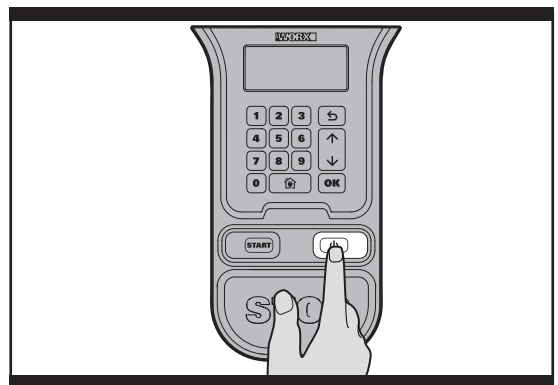
Landroid®M får lengre levetid og fungerer bedre hvis den får gå i dvale om vinteren. Så selv om det er tøft, anbefaler vi at du lagrer Landroid®M i uteboden eller garasjen om vinteren.

Før du lagrer Landroid®M for vinteren, må du huske følgende:

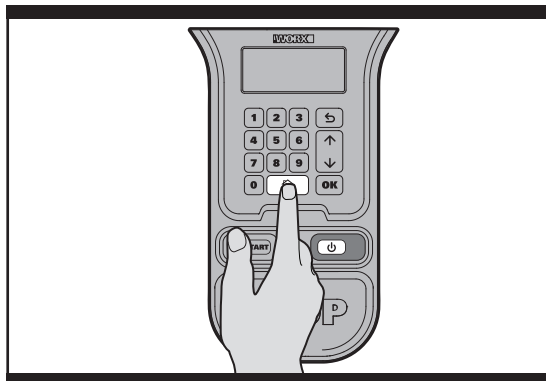
- Rengjør Landroid®M skikkelig.
- Lad batteriet helt opp.
- Slå av gressklipperen.

For å maksimere batteriets levetid anbefales det å lade det helt opp før det settes bort for vinteren. Slik lades batteriet for oppbevaring:

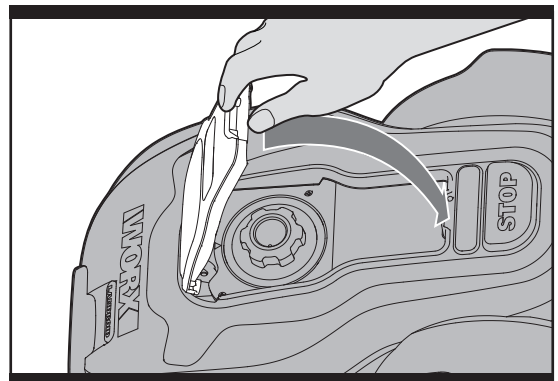
- Koble grensetråden (21) til ladebasen (4).
- Koble ladebasen til en strømkilde.
- Sett Landroid®M i ladebasen.
- Trykk på PÅ/AV-tasten. (Se Figurene J)
- Trykk deretter på HJEM-tasten. (Se Figurene K)
- Lukk kontrollpaneldekslet. (Se Figurene L)
- La Landroid®M stå til ladning i minst 1,5 timer.



J



K



L

Grenseledningen kan bli liggende på bakken, men endene bør beskyttes, for eksempel ved å plassere dem i en hermetikkboks med grease. Hvis ladestasjonen står ute om vinteren, la grenseledningen være koblet til.

OBS! Før vinterlagring kan du ta med Landroid®M til en forhandler for skikkelig rengjøring og justering, samt funksjonstesting og bytting av slitte deler.

Når Landroid®M tas fram igjen etter vinterdvalen, må du kontrollere at ladestrimmel (5) and kontaktpinner (2) er rene. Det er best å bruke finkornet smergellerret til dette. Deretter sjekker du at dato og klokkeslett er riktig, og setter Landroid®M i gang med å gjøre det den liker best; å klippe gress.

5.3 Holde den ren

⚠ ADVARSEL: Før den rengjøres, må du slå av Landroid®M ved å trykke på AV/PÅ-tasten. Ta på deg beskyttelseshansker før du rengjør bladskiven (16), og unngå bruk av rennende vann (Se Figurene J,K,L).

A. Rengjøre chassiset

Landroid®M lever mye lengre og lykkeligere hvis den rengjøres regelmessig. Men husk at Landroid®M er en elektrisk maskin, så du må være forsiktig når du rengjør den. IKKE bruk vannslange eller tøm rennende vann på Landroid®M. Det er best å bruke en sprayflaske med vann. Når du rengjør maskinen utvendig bør du bruke en myk børste eller en ren klut og unngå bruk av løsemidler eller poleringsmidler (Se Figurene M). Til slutt, pass på at du fjerner alt gress og rusk.

B. Rengjøring av undersiden

Også nå er det viktig å slå av Landroid®M med AV/PÅ-tasten og **ta på beskyttelseshansker før man rører bladskiven.**

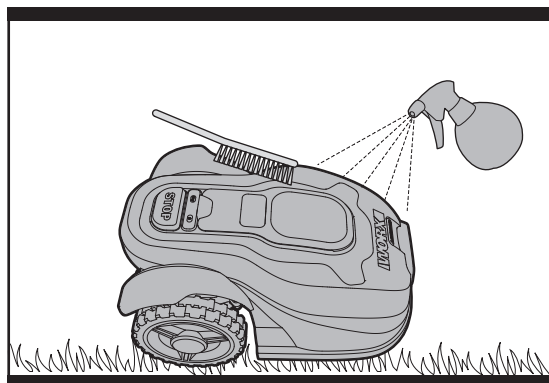
Først, vend din Landroid®M opp ned for å komme til på undersiden . Her ser du bladskiven (a), motorrammehuset (b) rundt, samt for-og drivhjul. Rengjør alt grundig med en myk børste eller fuktig klut. (Se Figurene N)

Roter bladskiven for å kontrollere at den beveger seg fritt, og at ikke noe har kilt seg fast mellom den og motorrammehuset rundt. Pass også på at bladene kan rotere fritt, og at det ikke er noe gress som hindrer dem.

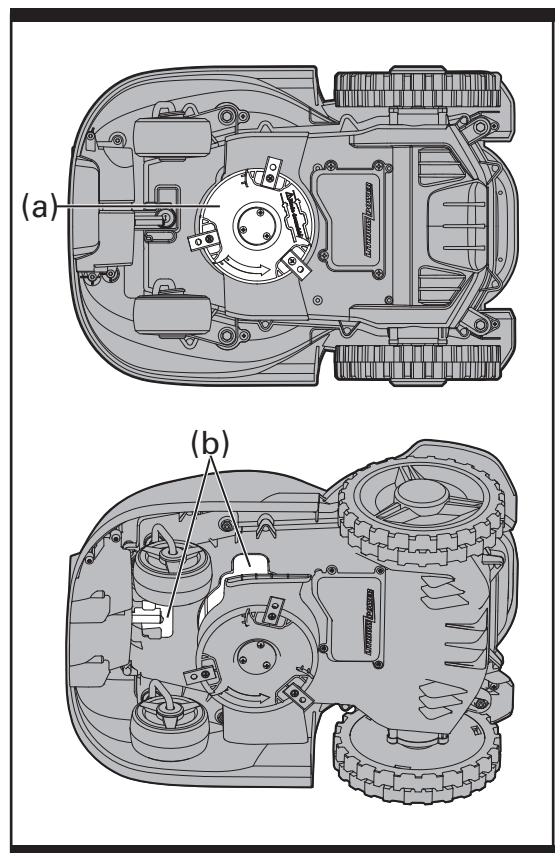
VIKTIG: Fjern avfall som har kilt seg fast slik at det ikke forårsaker hakk i bladskiven. Selv små hakk kan forringe Landroid®M's klippeegenskaper.

C. Rengjør kontaktpinnene og ladestripen

Rengjør kontaktpinnen som finnes på ladebasen og ladestripen som finnes på Landroid®M med en klut. Fjern all oppsamling av klippet gras og avfall rundt kontaktpinnene og ladestripen med jevne mellomrom for å sikre at Landroid®M lades opp hver gang.



M



N

5.4 Holde den skarp

! **ADVARSEL:** Før rengjøring, justering eller bytting av blader, må Landroid®M slås av ved å trykke på AV/PÅ-tasten, og du må bruke beskyttelseshansker.

! **ADVARSEL!** For utskifting av knivene. Sørg for å skifte **ALLE** knivene når utskifting er nødvendig. Hvis bladet er nytt, mens skruen er gammel, kan skruen slites av under klipping, og da kan bladet bli slynget av gressklipperen i voldsom fart. Dette kan føre til alvorlige skader.

Landroid®M klipper ikke gresset på samme måte som andre gressklippere. Bladene er sylskarpe på alle fire sider og roterer i begge retninger for å yte optimal klippekapasitet. (Se Figurene O) Hvert knivblad på din Landroid®M har 4 skjær. Avhengig av frekvensen Landroid®M klipper plenen din på, vil knivbladene måtte vippes/dreies regelmessig for en balansert kutteflate. Hvis din Landroid®M er programmert til å klippe plenen hver dag, må knivbladene roteres månedlig for best klipperesultat. Hvert enkelt skjær på knivbladet vil vare opptil 4 måneder når den er programmert til å klippe hver dag. Når knivene er uskarpe og slitt, bør de erstattes med reservebladene som følger med din Landroid®M. Reserveblader er også tilgjengelig hos din nærmeste Worx forhandler.

A. Bytte om på og vende bladene

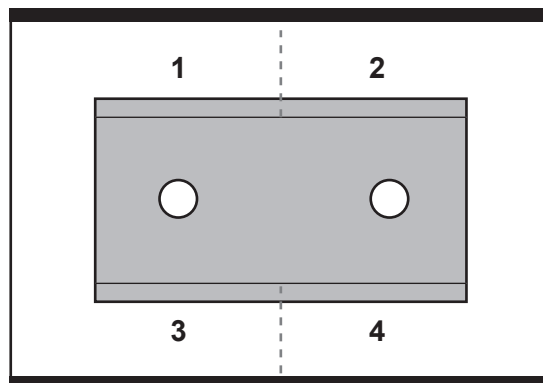
Landroid®M har tre blader som er skrudd fast i disskiven. Det er bladene som lar Landroid®M gjøre jobben sin, og de trenger stell og tilsyn. En og annen gang må du bytte om på og vende alle tre bladene for å sikre perfekt klipperesultat. Når bladene vendes og byttes om på, må du huske å justere alle bladene samtidig, ellers er kanskje ikke bladskiven avbalansert lenger. Hvis Landroid®M klipper etter vanlig tidsplan (daglig), bør bladene holde i en sesong, hvis de byttes om på og vendes hver måned. Sjekk alltid om bladene har hakk eller skader, og bytt dem hvis så er tilfelle.

B. Bytte bladene

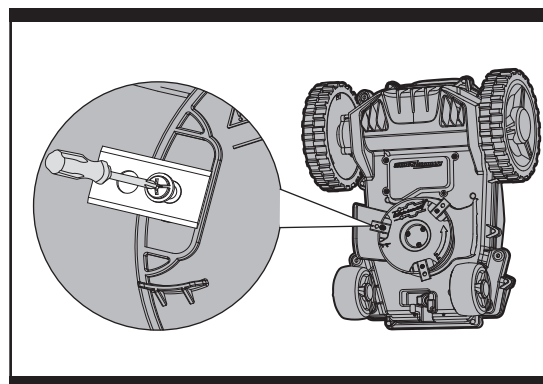
Etter en viss tid, vanligvis hver sesong, må Landroid®M's blader byttes. Landroid®M liker ikke å klippe gresset med blader som har forskjellig alder og kvalitet. Derfor må du bytte alle bladene samtidig. Du kan erstatte dem med et av de ekstra bladsettene og bladskruesettene som fulgte med Landroid®M. Før du begynner å skifte ut Landroid®M's kniver, skru av strømmen og ta på deg beskyttelseshansker. Deretter følger du følgende trinn:

1. Legg Landroid®M forsiktig over på siden.
2. Fjern skruene fra knivene med en rett skrutrekker eller en Phillips skrutrekker.
3. Skru de nye bladene godt fast. (Se Figurene P)

VIKTIG: Etter at bladene er skrudd fast i bladskiven, må du sjekke at bladene roterer fritt.



O



P

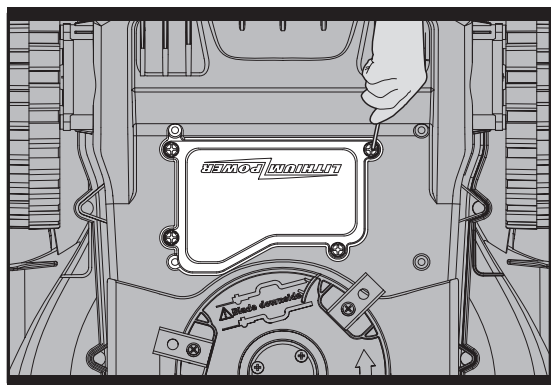
5.5 Bytte batteriet



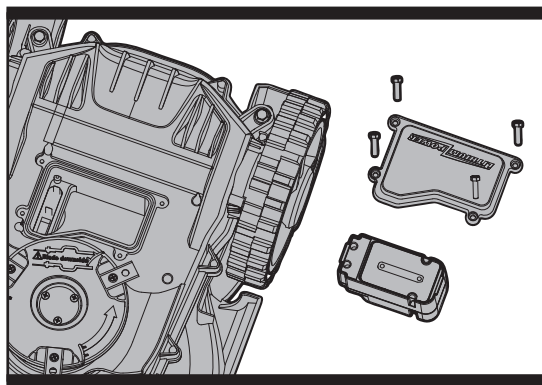
ADVARSEL: Slå av maskinen ved å trykke på AV/PÅ-tasten før du justerer, bytter eller reparerer noe som helst.

Når du skal bytte batteriet, følger du disse trinnene:

1. Snu Landroid®M forsiktig opp-ned.
2. Fjern de seks skruene fra batteriet. (Se Figurene Q)
3. Ta ut det gamle batteriet. (Se Figurene R)
4. Sett inn det nye batteriet.
5. Sett de fire skruene inn igjen og stram godt.



Q



R

Miljøverntiltak



Avfall etter elektriske produkter må ikke legges sammen med husholdningsavfall. Vennligst resirkuler avfallet der dette finnes. Undersøk hos de lokale myndighetene eller en detaljist for resirkuleringsråd.

Samsvarserklæring

Vi,
POSITEC Germany GmbH Konrad-Adenauer-Ufer 37 50668 Köln

Erklærer at produktet
Beskrivelse **WORX Robot-gressklipper**
Type **WG794E (790-799-betegner maskin, anger Robot-gressklipper)**
Funksjon **Gressklipping**

Samsvarer med følgende direktiver,
Maskindirektivet **2006/42/EC**
EMC-direktivet **2004/108/EC**
RoHS Direktiv **2011/65/EU**
Lydutslipp i Miljøet av Utstyr for Utendørs Bruk Direktivet
2000/14/EC revidert ved 2005/88/EC

Tilpassningsbedømmelse Utført ifølge **Annex V**
Målt Lydkraftniv: **61.95dB(A)**
Erklært Garantert Lydkraftniv: **63dB(A)**

Standardene samsvarer med

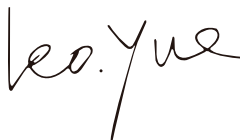
EN ISO 12100-1
EN ISO 12100-2
EN ISO 14121-1
EN ISO 3744
EN 55014-1
EN 55014-2

Personen som er autorisert til å utarbeide den tekniske filen,

Navn Russell Nicholson

Adresse Positec Power Tools (Europe) Ltd, PO Box 152, Leeds, LS10 9DS, UK

65



2012/12/24
Leo Yue
Kvalitetsansvarlig i POSITEC

PIN-kodeområde:

BRUKSANVISNING I ORIGINAL

INNEHÅLLSFÖRTECKNING

1. Säkerhetsinstruktioner	67
1.1 Allmänna & specifika säkerhetsinstruktioner	67
1.2 Information om Landroid®M	69
2. Tekniska data och förpackningens innehåll	70
2.1 Tekniska data	70
2.2 Dellista	71
3. Lär känna din Landroid®M	73
3.1 Hur vet min Landroid®M var den ska klippa gräset?	73
3.2 Hur vet min Landroid®M vart den ska ta vägen?	74
A. Hitta laddningsbasen	74
B. Regnsensorer	74
C. Känna av gränstråden	74
D. Starta och stoppa under gräsklippning	74
3.3 Hur stor gräsmatta klarar min Landroid®M av att klippa?	75
3.4 Hur effektivt kommer min Landroid®M att klippa gräset?	75
4. Gränstråd	76
4.1 Pegga gränstråden	76
4.2 Gräva ner gränstråden	76
4.3 Skarva gränstråden	76
4.4 Sätta på och testa installationen	76
5. Underhåll	77
5.1 Batterilivstid	77
5.2 Vinterförvaring	77
5.3 Rengöring	78
A. Rengöra stommen	78
B. Rengöring av undersidan	78
C. Rengör kontaktstiften och laddningsremarna	78
5.4 Skärpa	79
A. Roter och vända på bladen	79
B. Byta ut bladen	79
5.5 Byta ut batteriet	80
6. Deklaration om överensstämmelse	81

1. Säkerhetsinstruktioner

1.1 Allmänna & specifika säkerhetsinstruktioner

 **VARNING: Läs igenom alla varningar och säkerhetsinstruktioner. Underlåtelse att beakta varningar och säkerhetsinstruktioner kan leda till elstöt, brand och/eller allvarlig personskada.**

Läs noga igenom instruktionerna för att kunna använda enheten på ett säkert sätt.

Spara alla varningar och säkerhetsinstruktioner för framtida referens.

- Denna apparat är inte avsedd att användas av personer (inklusive barn) med nedsatt fysisk, sensorisk eller mental förmåga, eller bristande erfarenhet och kunskap, såvida de inte har fått instruktioner om hur apparaten används eller övervakas av en person som ansvarar för deras säkerhet.
- Barn måste övervakas för att säkerställa att de inte leker med apparaten.

VIKTIGT

LÄS NOGA FÖRE ANVÄNDNING

SPARA FÖR FRAMTIDA REFERENS

SÄKER ANVÄNDNINGSPRAXIS

Utbildning

- a) Läs noga igenom bruksanvisningen. Se till att du har förstått instruktionerna och sätt dig in i kontrollerna och hur man använder enheten på rätt sätt.
- b) Låt aldrig barn eller personer som inte satt sig in i dessa instruktioner använda enheten. Det kan finnas lokala bestämmelser med åldersgräns för operatören.
- c) Operatören eller användaren ansvarar för olyckor eller faror som drabbar andra personer eller deras egendom.

Förberedelser

- a) Kontrollera att det automatiska avgränsningssystemet är korrekt installerat i enlighet med de givna instruktionerna.
- b) Inspektera regelbundet området där apparaten ska användas och avlägsna alla stenar, pinnar, trådar och andra främmande föremål.
- c) Inspektera regelbundet blad, bladbultar och klippenhet visuellt för att säkerställa att de inte är slitna eller skadade. Byt ut slitna eller skadade blad och bultar uppsättningsvis för att bibehålla balansen.
- d) Var försiktig med maskiner som har flera blad, eftersom ett roterande blad kan få även de övriga bladen att rotera.

DRIFT

1. ALLMÄNT

- a) Använd aldrig enheten med trasiga skydd eller utan att säkerhetsanordningar som t.ex. deflektorer sitter på plats.
- b) Placera inte händer eller fötter nära eller under roterande delar. Ställ dig aldrig ivägen för utloppsöppningen.
- c) Lyft aldrig upp och bär inte enheten medan motorn är igång.
- d) Stäng av enheten
 - Innan du tar bort något som fastnat
 - Innan du inspekterar, rengör eller reparerar enheten
- e) Det är inte tillåtet att modifiera robotgräsklipparens originalutförande. Alla modifieringar görs på egen risk.
- f) Starta robotgräsklipparen enligt instruktionerna. När strömbrytaren befinner sig i läget ON (på), var noga med att hålla händer och fötter borta från de roterande bladen. För aldrig in händer eller fötter under gräsklipparen.
- g) Lyft aldrig upp robotgräsklipparen och bär inte runt den medan strömbrytaren befinner sig i läget ON.
- h) Låt inte personer som inte vet hur robotgräsklipparen fungerar, använda den.
- i) Lägg ingenting ovanpå robotgräsklipparen eller dess laddningsstation.
- j) Använd inte robotgräsklipparen med en defekt bladskiva eller stomme. Använd den inte heller med defekta blad, skruvar, muttrar eller sladdar.
- k) Använd inte robotgräsklipparen om strömbrytaren inte fungerar.
- l) Stäng alltid av robotgräsklipparen med strömbrytaren när du inte tänker använda den. Robotgräsklipparen kan bara starta när strömbrytaren förs till läget ON och rätt PIN-kod har angetts.

2. NÄR ROBOTGRÄSKLIPPAREN KÖRS AUTOMATISKT

- a) Låt inte enheten köra automatiskt utan övervakning på områden där det finns husdjur, barn eller andra personer.

3. NÄR ROBOTGRÄSKLIPPAREN KÖRS MANUELLT

- a) Klipp gräset endast i dagsljus eller i god belysning.
- b) Undvik att använda enheten när gräset är vått.
- c) Använd inte enheten när du är barfota eller bär öppna sandaler. Bär alltid ordentliga skor och långbyxor.
- d) Se till att ha balans i slutningarna.
- e) Var mycket försiktig när du vänder enheten mot dig.

- f) Sätt alltid på motorn i enlighet med instruktionerna och håll fötterna på ordentligt avstånd från bladen.

UNDERHÅLL OCH FÖRVARING



WARNING! När du vänder uppochner på robotgräsklipparen måste strömbrytaren alltid vara inställd på OFF.

Strömbrytaren måste alltid vara inställd på OFF vid allt arbete under robotgräsklipparens ram, som t.ex. rengöring eller utbyte av blad.

- Se till att alla muttrar, bultar och skruvar är ordentligt åtdragna så att enheten hålls i säkert bruksskick.
- Inspektera robotgräsklipparen varje vecka och byt ut slitna eller skadade delar för säkerhets skull.
- Kontrollera i synnerhet att varken blad eller bladskiva är skadade. Byt ut alla blad och skruvar uppsättningsvis, så att de roterande delarna behåller sin balans.
- Se till att endast använda klippdelar av rätt typ vid utbyte.
- Ladda endast batteriet med den laddare som rekommenderas av tillverkaren. Delaktig användning kan leda till elstöt, överhettning eller läckage av frätande vätska från batteriet.
- Om elektrolyt skulle läcka ut, spola med vatten/neutraliserande medel, och uppsök läkare om elektrolyten kommer i kontakt med ögon osv.
- Service av enheten måste utföras i enlighet med tillverkarens instruktioner.

Transport

Använd originalförpackningen om robotgräsklipparen ska transporteras en längre sträcka.

Så här lämnar/går du in i arbetsområdet på ett säkert sätt:

- Tryck på STOP knappen för att stoppa klipparen. Om antistöldlarmet är aktiverat, ange första siffran i PIN-koden. Du valde den fyra siffrorna i PIN-koden när du startade klipparen första gången.
- För strömbrytaren till läget OFF om du tanker bära robotgräsklipparen.
- Du bär robotgräsklipparen i handtaget som sitter undertill baktill på robotgräsklipparen. Bär robotgräsklipparen så att bladskivan är bortvänd från din kropp.

1.2 Information om Landroid® M



VARNING – ROBOTGRÄSKLIPPARE kan vara farliga om de används på fel sätt.

Läs noga igenom bruksanvisningen och sätt dig in i dess innehåll innan du använder din ROBOTGRÄSKLIPPARE.



VARNING – Håll ett säkerhetsavstånd från enheten när den är igång.



VARNING – Stäng av enheten innan du utför arbete på den eller lyfter upp den.

Håll händer och fötter borta från de roterande bladen. Placera aldrig händer eller fötter nära eller under stommen när din ROBOTGRÄSKLIPPARE är igång.

ROBOTGRÄSKLIPPAREN kan bara starta när ON/OFF-knappen befinner sig i läget ON och rätt PIN-kod har matats in. Inspektion och/eller underhåll måste utföras med ON/OFF-knappen i läget OFF.



VARNING – Åk inte på enheten.



Kasta inte in i eld



Kasta inte ner i vatten



Batterier ska återvinnas



Li-Ion

Batterier innehåller litium-jon. Uttjänta batterier ska lämnas in på närmaste återvinningsstation. Kasta inte uttjänta batterier i hushållssoporna.



Elektriska avfallsprodukter får inte kasseras med hushållsavfallet. Återvinn på återvinningscentraler. Kontakta dina lokala myndigheter eller återförsäljaren för återvinningsråd.

2. Tekniska data och förpackningens innehåll


2.1 Tekniska data

Typ: **WG794E (790-799-maskinbeteckning, anger Gräsklipparrobot)**

Märkspänning	28V $\overline{=}$ Max*
Hastighet utan belastning	2800/min
Klippdiameter	180mm
Klipphöjd	20-60mm
Klipphöjdslägen	5
Batterityp	Litium-jon
Batterimodell	WA3225
Laddningstid	1,5t cirka
Laddarmodell	WA3716
Laddargradering	Ineffekt: 100-240V~50/60Hz, 50W Uteffekt: 24-28V Dc, 1.5A
Enhetsvikt	8.3kg
Skyddsklass	IPX4

*Spänning uppmätt utan belastning. Initial batterispänning är max. 28V. Nominell spänning är 25.2V.

Buller och tekniska data

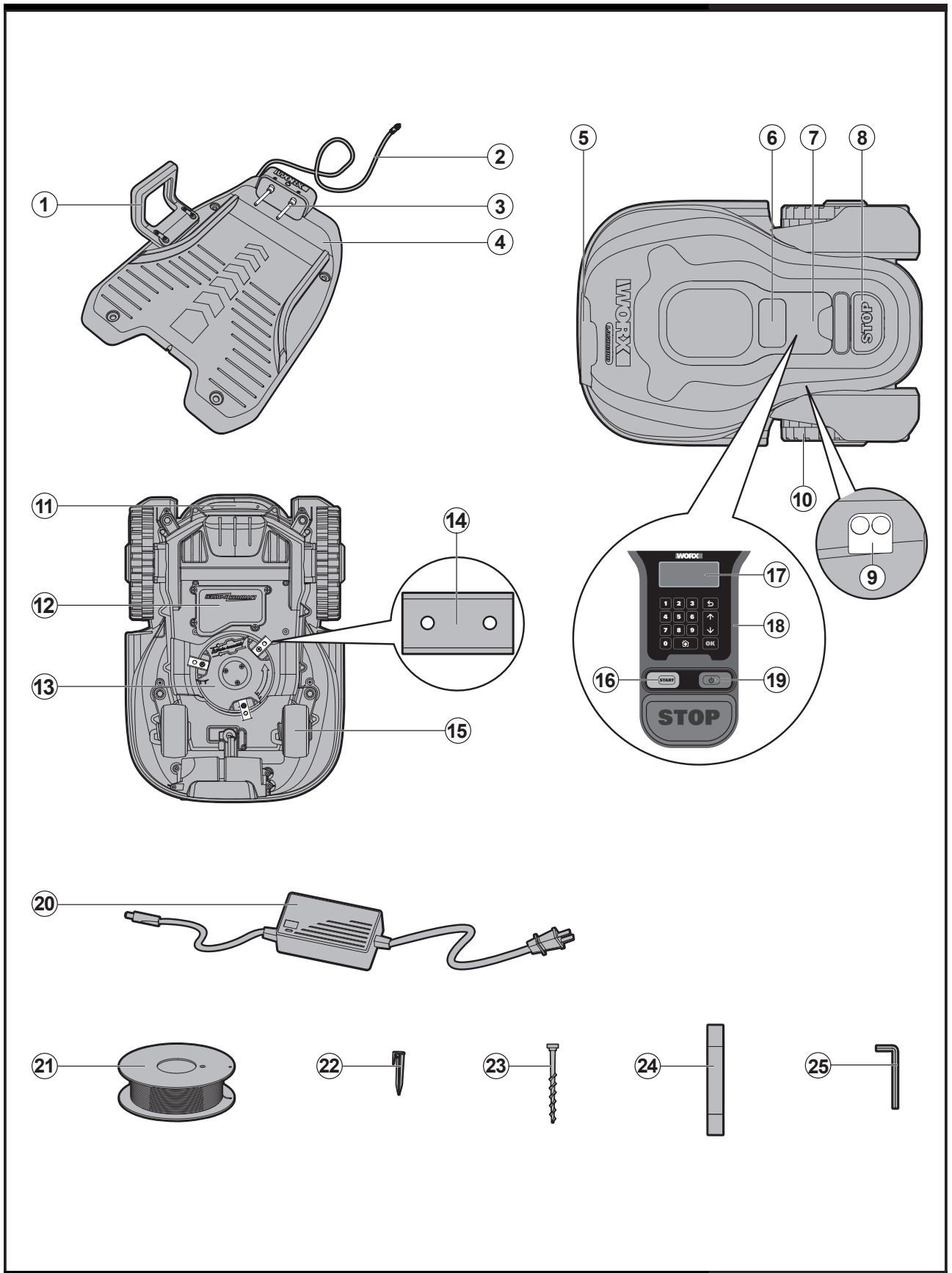
A-viktat ljudtryck	44.5dB(A), K_{PA} : 3.25dB(A)
A-viktad ljudnivå	63dB(A)
Bär hörselskydd när ljudtrycket är högre än	80dB(A) 

Tillbehör

Laddningsbas med 15m förlängningssladd	1
Blad och skruvar	9
Ledningsplugg	200
180m gränstråd	1
Laddningsbas fästspikar	4
Strömadapter	1
Avståndsmätare för gränstråd	1
Insexnyckel	1

Vi rekommenderar att du endast köper originaldelar enligt ovanstående lista från den butik där du köpte enheten. Använd endast bra kvalitetsdelar av kända märken. Se tillbehörsförpackningen för mer information. Butikspersonalen kan hjälpa dig och ge råd.

2.2 Dellista



-
- 1. HANDTAGSSTÅNG**

 - 2. LÅGSPÄNNINGSSLADD**

 - 3. KONTAKTSTIFT**

 - 4. LADDNINGSBAS**

 - 5. LADDNINGSYTA**

 - 6. DISPLAYFÖNSTER**

 - 7. LUCKA TILL KONTROLLPANEL**

 - 8. STOP-KNAPP**

 - 9. REGSENSOR**

 - 10. DRIVHJUL**

 - 11. HANDTAG**

 - 12. BATTERIPAKET**

 - 13. BLADVÄNDSKIVA**

 - 14. SKÄRBLAD**

 - 15. FRAMHJUL**

 - 16. START-KNAPP**

 - 17. DISPLAY**

 - 18. KNAPPSATS**

 - 19. ON/OFF-KNAPP**

 - 20. STRÖMADAPTER**

 - 21. GRÄNSTRÅD (180m)**

 - 22. TRÅDPEGGAR**

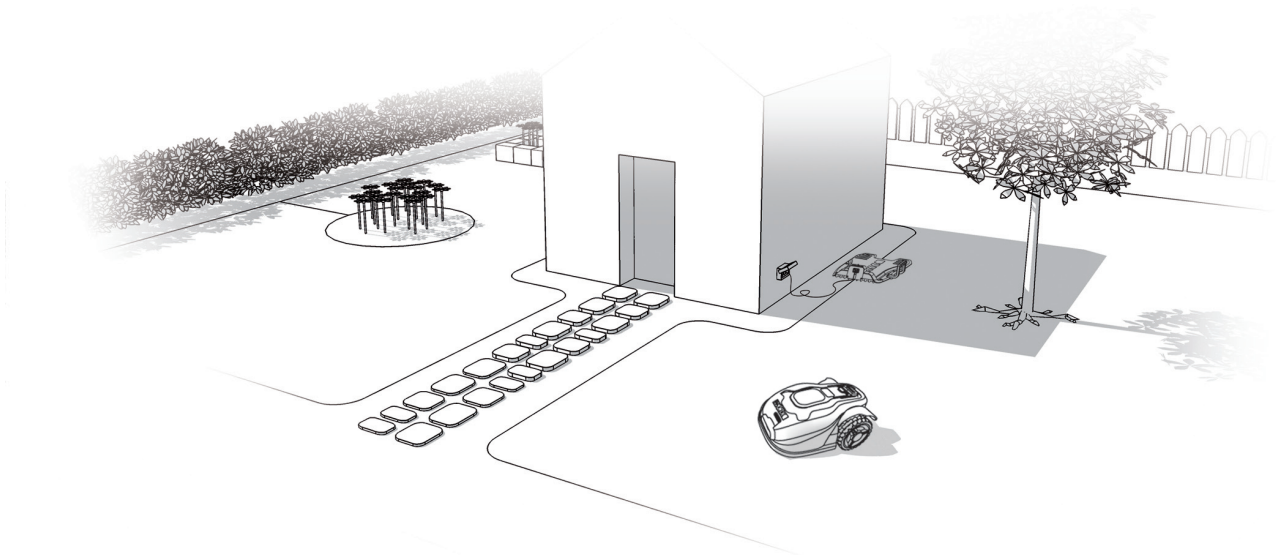
 - 23. FÄSTDON FÖR LADDNINGSBAS**

 - 24. AVSTÅNDSMÄTARE FÖR GRÄNSTRÅD**

 - 25. INSEXNYCKEL**
-

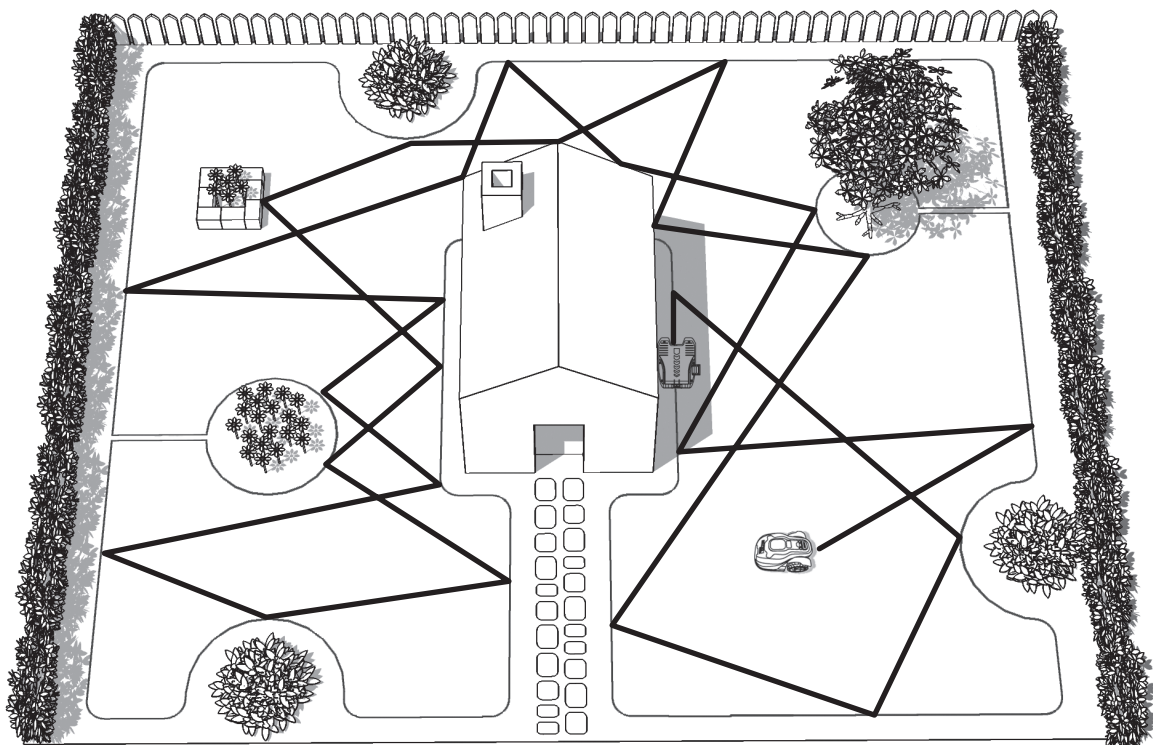
3. Lär känna din Landroid®M

Grattis till ditt köp av din nya Landroid®M och välkommen till robotgräsklippningens vilsamma värld. Här nedanför kommer vi att hjälpa dig att förstå hur din Landroid®M fungerar.



3.1 Hur vet min Landroid®M var den ska klippa gräset?

Din Landroid®M väljer riktning slumpmässigt och upprepar aldrig samma klippriktning. Den ser till att hela gräsmattan blir jämnt klippt utan fula klippspår. (Se Fig. A)



A

3.2 Hur vet min Landroid®M vart den ska ta vägen?

Din Landroid®M sköter sig själv. Den vet när den behöver gå till sin laddningsbas för att laddas upp, den kan känna av när det regnar, den stopper självmant om den känner av ett problem, och den vet hur den ska stoppa och vända när den stöter på något som blockerar dess väg, t.ex. en person, ett husdjur eller något föremål. Landroid®M kommer också automatiskt att stoppa dess Bladsvängskiva från att rotera om den lyfts upp från marken för att förhindra olyckor.

A. Hitta laddningsbasen

När din Landroid®M behöver laddas avbryter den gräsklippningen och följer gränstråden i en motsols rörelse tillbaka till sin laddningsbas. För att spara ström roterar inte bladskivan medan enheten återgår till laddningsbasen.

B. Regnsensorer

Din Landroid®M har en regnsensor baltill som känner av regndroppar och säger åt din Landroid®M att avbryta gräsklippningen och följa gränstråden tillbaka till laddningsbasen (Se Fig. B). Landroid®Mis programmerbara funktion har en fördröjd startfunktion (0-180 minuter) när det regnar. När regnsensorn är våt återgår Landroid®M till dockningsstationen. Endast när regnsensorn torkat kommer Landroid®M att påbörja den fördröjda nedräkningen eller återgå till klippningen omedelbart. Se programmerings- och felsökningsguiden för mer information.

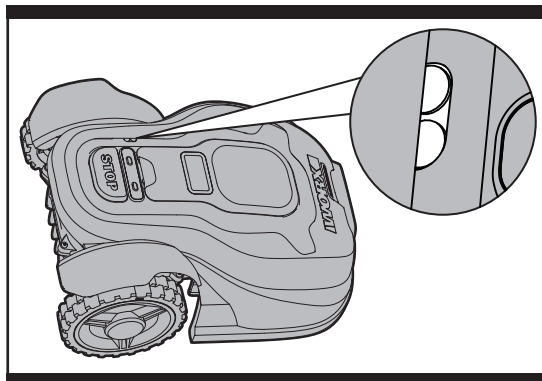
C. Känna av gränstråden

Din Landroid®M respekterar alltid gränstråden och har två sensorer framtill som varnar den när den närmar sig gränstråden. (Se Fig. C) Innan din Landroid®M ändrar riktning, kan den överskrida gränstråden med upp till 20cm*.

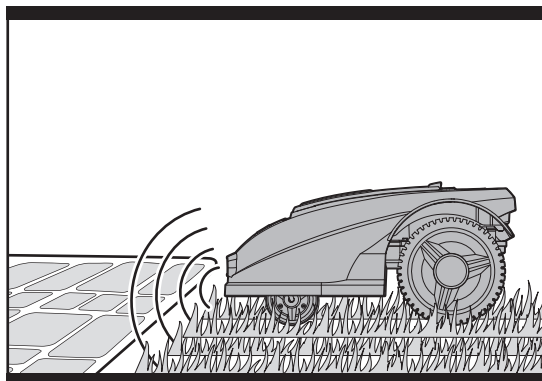
*Rekommenderat avstånd. Använd den medföljande avståndsmätaren för korrekt installation.

D. Starta och stoppa under gräsklippning

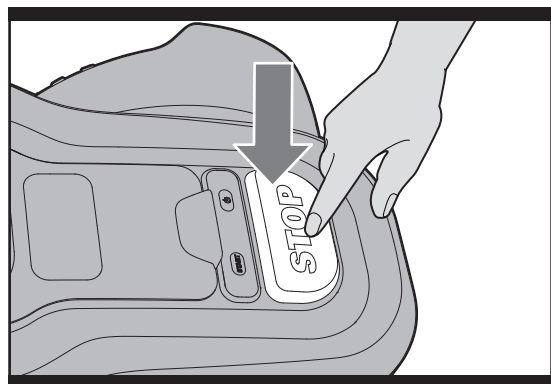
Om du vill beordra din Landroid®M att sluta klippa gräs, trycker du bara på STOP-knappen (8) överst på enheten. Du startar gräsklippningen genom att trycka på ON/OFF-knappen och därefter trycka på Start-knappen direkt eller öppna luckan på kontrollpanelen och mata in dina vidare kommandon, varefter du trycker på Start-knappen. (Se Fig. D och E)



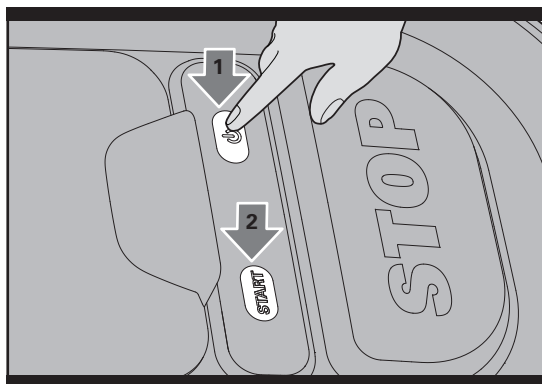
B



C



D



E

Om din Landroid®M känner av att något är fel visar den ett felmeddelande i displayen (16) och stänger av sig om den inte får någon inmatning från användaren inom loppet av 20 minuter (för information om felmeddelanden, se programmerings- och felsökningsguiden).

För att återgå:

- Åtgärda problemen.
- Tryck på ON/OFF-knappen (19).
- Tryck på START-knappen.
- Nu börjar din Landroid®M att klippa gräset!

3.3 Hur stor gräsmatta klarar min Landroid®M av att klippa?

Din Landroid®M kan klippa gräsmattor på upp till cirka 1000m², även om detta i viss mån beror på olika faktorer som t.ex.:

- Gräsmattans grässort och dess växthastighet.
- Bladens skärpa.
- Fuktighet.
- Omgivningstemperatur.
- Mängden hindrande föremål på gräsmattan.

Om omgivningstemperaturen är mycket låg kan det ta lite längre tid för din Landroid®M att laddas. Din Landroid®M använder mindre ström på öppna ytor utan hinder i form av rabatter, fontäner, gångar osv.

Se tabellen nedan för förslag på klipptider till olika gräsmatteytor:

Yta (m ²)	Rekommenderad tid per dag (timmar)
200	4
500	13.5
1000	27

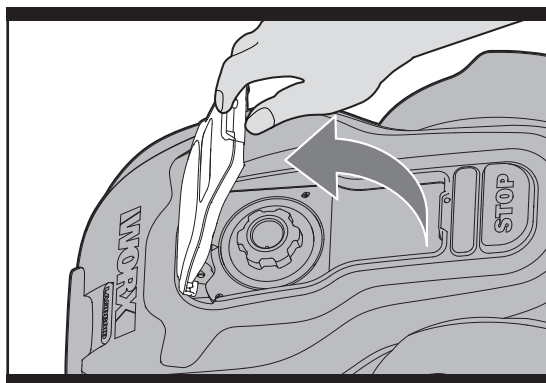
Klipptiderna varierar från gräsmatta till gräsmatta beroende på de faktorer som nämndes ovan. Justera klipptiden för din Landroid®M efterhand tills du hittar den lämpligaste inställningen.

3.4 Hur effektivt kommer min Landroid®M att klippa gräset?

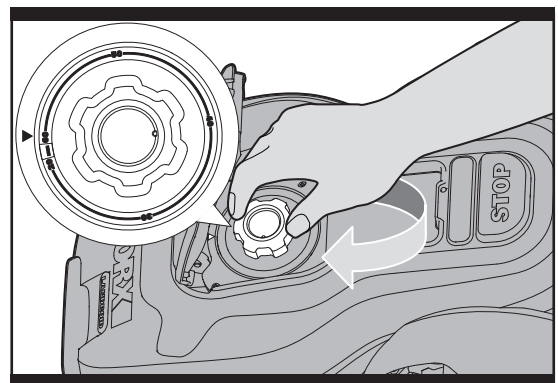
Din Landroid®M's klipphöjd kan ställas in på 2-6 cm. Innan du startar din Landroid®M för första gången, ska du klippa gräset med en vanlig gräsklippare. Var därefter noga med att öppna locket för justering av klipphöjd och ställ in klipphöjden för din Landroid®M till max. klipphöjd på 6cm. (Se Fig. F, G)

Din Landroid®M klipper bäst i torrt väder. Den tycker inte om vått gräs vilket kan fastna på bladsvängskivan och i motorn kan också orsaka förlorad dragkraft och slirning under arbetet.

Din Landroid®M är rädd för åska. Om det börjar åska, skydda din Landroid®M genom att koppla ur laddningsbasen, koppla bort gränstråden och se till att din Landroid®M inte kan ladda sig.



F



G

Din Landroid®M tycker om att klippa gräs och behöver ha klippbladen i god kondition för att klippa så bra som möjligt. Din Landroid®M kan sköta sig själv för det mesta, men ibland kan den behöva din hjälp för att inte göra sig illa.

- Låt aldrig din Landroid®M passera grus.
- Ta bort eller avgränsa hinder som din Landroid®M av misstag kan köra upp på och skada bladskivan på.
- Avlägsna allt skräp och alla främmande föremål från gräsmattan.

4. Gränstråd

4.1 Pegga gränstråden

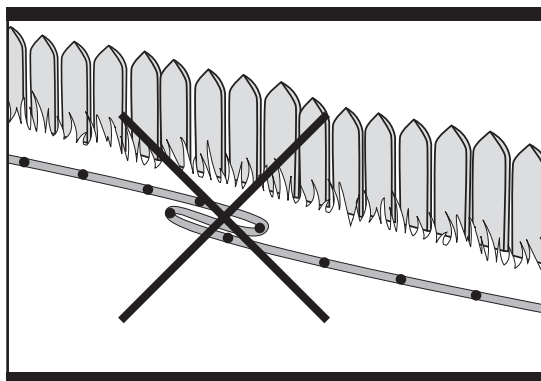
Använd avståndsmätaren (24) för att ställa in rätt avstånd från kanten på gräsmattan (cirka 35cm *).

*Rekommenderat avstånd. Använd den medföljande avståndsmätaren för korrekt installation.

Om din granne också har en Landroid®M, måste det vara minst 4,5 meters avstånd mellan era gränstrådar.

Tänk på att din Landroid®M inte kan uppfånga en signal från gränstråden på mer än 18m.

Gränstråden måste rama in det avsedda gräsklippningsområdet exakt. Din Landroid®M blir förvirrad av extra böjar eller härvor av gränstråd som inte ingår i klippområdet. (Se Fig. H) Om det finns överskottsgränstråd kvar när du har ramat in klippområdet, klipp av den och förvara denna extra tråd på ett separat ställe. Du måste dock lämna kvar lite trådslack vid anslutningen till laddningsbasen, så att tråden både kan anslutas och förbli nergrävd.



H

4.2 Gräva ner gränstråden

Vi rekommenderar att du gräver ner gränstråden några få centimeter under marken. Detta säkerställer en krångelfri användning år ut och år in, säsong efter säsong. Om du vill gräva ner gränstråden kan du köpa till tillbehöret WORX gränsmarkeringsverktyg, som säljs på samma som din Landroid®M.

Om du tänker gräva ner gränstråden ska du tänka på att när din Landroid®M ska hitta till laddningsbasen för första gången, kan den få problem med den nedgrävda gränstråden. Du rekommenderas att först pegga ner gränstråden i gräsmattan så att du enkelt kan utföra eventuella ändringar. Detta vänjer Landroid®M vid den nya omgivningen och säkerställer en lyckad anslutning till laddningsbasen tills du slutligen gräver ner gränstråden.

4.3 Skarva gränstråden

VIKTIGT: Gränstråden fungerar inte som den ska om den skarvas på en sträcka över 200m.

Du kan enkelt förlänga gränstråden (21) genom att splitsa ändarna och ansluta dem till varandra. Du kan använda tejp för att säkra de splitsade delarna till varandra. (Se Fig. I)

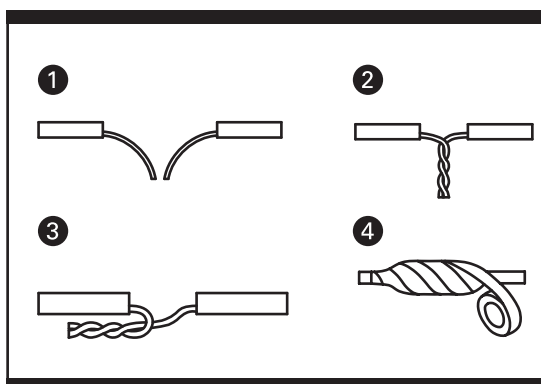
4.4 Sätta på och testa installationen

Om den gröna lampan inte tänds, kontrollera strömanslutningarna. Om lampan blinkar grön, kontrollera att gränstråden är ordentligt ansluten.

Röd lampa lyser: laddning.

Röd lampa blinkar: felmeddelande, åtgärda problemen.

Om din Landroid®M befinner sig innanför sitt klippområde men displayen visar "out of cutting area" (utanför klippområde) och lampan lyser grön, betyder det att du har satt fast gränstrådens ändar vid klämmorna på fel sätt. Kasta om trådarna.



I

5. Underhåll

Du måste inspektera din Landroid®M då och då. Din Landroid®M jobbar hårt och behöver emellanåt rengöras grundligt dsamt få vissa delar utbytta, när de blir slitna. Här nedan informerar vi om hur du får din nya Landroid®M att stormtrivas i sitt nya hem genom att ge den bästa möjliga omvårdnad.

5.1 Batterilivstid

Hjärtat i din Landroid®M är dess 28V litiumjonbatteri. Inget underhåll behövs. För korrekt förvaring av batteriet, förvara det fulladdat på en kall och torr plats mellan 20°C och 60°C.

Livstiden för din Landroid®Ms batteri beror på olika faktorer som exempelvis:

- Hur lång klippsäsongen är i din region.
- Hur många timmar din Landroid®M klipper gräs per dag.
- Hur du sköter batteriet under förvaring.

För manuell laddning utan gränstråd, följ stegen nedan:

1. Anslut laddningsbasen till en lämplig strömkälla.
2. Docka den avstängda Landroid®M manuellt inom laddningsbasens räckvidd.
3. Den röda lampan blinkar i tre sekunder. Tryck därefter på strömknappen så börjar Landroid®M att laddas.

5.2 Vinterförvaring

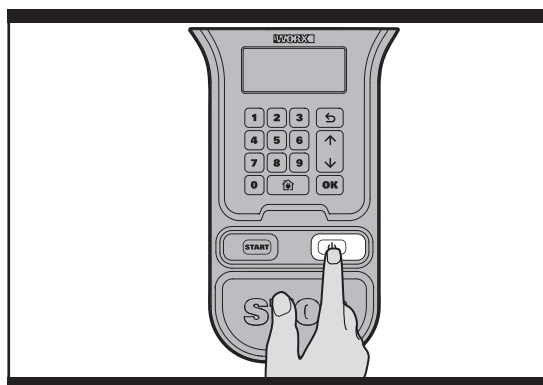
Din Landroid®M kommer att leva längre och hålla sig friskare om den får gå i ide på vintern. Därför rekommenderar vi att du förvarar din Landroid®M i ett uthus eller ett garage under vintern.

Innan du stuar undan din Landroid®M inför vintern ska du:

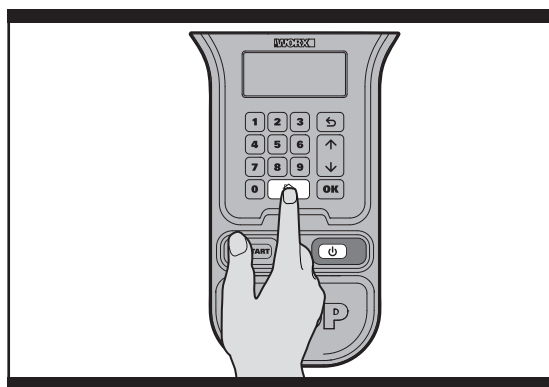
- Rengöra din Landroid®M noggrant.
- Ladda batteriet fullt.
- Stänga av gräsklipparen.

För att maximera batteriets livstid rekommenderas du att ladda det fullt innan du stuar undan det inför vintern. Gör så här för att endast ladda batteriet:

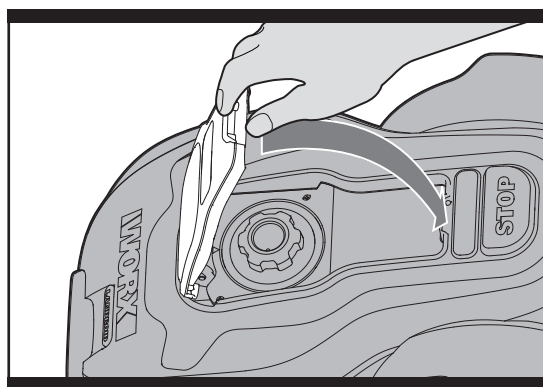
- Anslut gränstråden (21) till laddningsbasen (4).
- Anslut laddningsbasen till en strömkälla.
- Placera din Landroid®M i laddningsbasen.
- Tryck på ON/OFF-knappen. (Se Fig. J)
- Tryck därefter på HEM-knappen. (Se Fig. K)
- Stäng luckan till kontrollpanelen. (Se Fig. L)
- Låt din Landroid®M ladda i minst 1,5 timme.



J



K



L

Gränstråden kan lämnas kvar i marken, men dess ändrar ska skyddas genom att t.ex. placeras i en konservburk med smörjfett. Om laddningsbasen lämnas kvar utomhus över vintern, låt gränstråden förbli ansluten till den.

OBS: Inför vinterförvaringen kan du ta din Landroid®M till en återförsäljare för grundlig rengöring och finjustering, så att dess funktioner testas och slitna delar byts ut.

När du tar fram din Landroid®M efter vinterförvaringen, kontrollera att laddningsytor och kontaktstift är rena. Du kan använda en fin smärgelduk för att rengöra dem. Kontrollera därefter att datum och tid är rätt inställda och låt sedan din Landroid®M återgå till det den gör bäst: klippa gräset.

5.3 Rengöring

! WARNING: Innan du ska rengöra din Landroid®M måste du stänga AV den genom att föra ON/OFF-knappen till OFF. Sätt på skyddshandskar innan du rengör bladskivan. Använd inte rinnande vatten (Se Fig. J,K,L)

A. Rengöra stommen

Din Landroid®M kommer att leva längre och må bättre om du rengör den regelbundet. Eftersom din Landroid®M är en elektrisk apparat måste du vara försiktig när du rengör den. Använd INTE en vattenslang och håll inte vatten på din Landroid®M. Använd en sprejflaska med vatten. Vid rengöring av maskinens hölje använd en mjuk borste eller en ren trasa och undvik att använda rengöringsmedel eller polish. (Se Fig.M) Slutligen, se till att ta bort all uppsamlad gräsklipp och skräp.

B. Rengöring av undersidan

Åtrigen är det viktigt att du stänger AV din Landroid®M med ON/Off-knappen och att du **använder skyddshandskar när du rör vid bladskivan.**

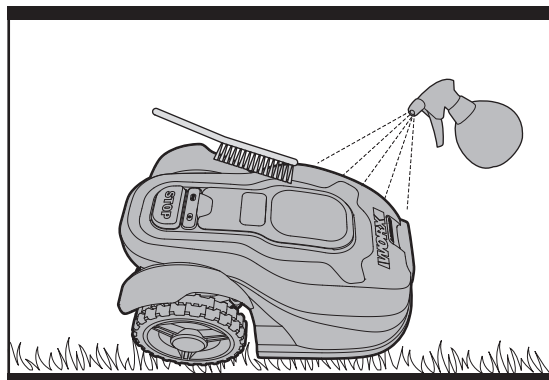
Först, vänd din Landroid®M upp och ned för att visa undersidan. På undersidan kan du se bladskivan (a), den omgivande motorramboxen (b) och framhjul och drivhjul. Rengör alltihop noggrant med en mjuk borste eller en fuktig trasa (Se Fig.N).

Vrid på bladskivan för att säkerställa att den kan röra sig fritt och att ingenting har kilats fast mellan bladskivan och den omgivande motorramboxen. Kontrollera även att bladen kan röra sig fritt och att inget gräs hindrar dem.

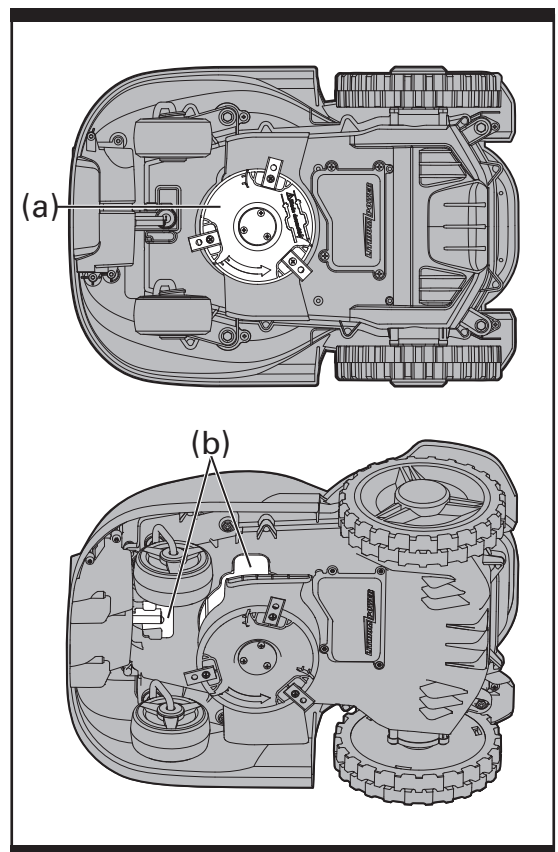
VIKTIGT: Ta bort allt skräp så att det inte får bladskivan att spricka. Till och med en minimal spricka kan försämra gräsklipparens effekt.

C. Rengör kontaktstiften och laddningsremarna

Rengör kontaktstiftet på laddningsstationen och laddningsremsan på Landroid®M med en tygbit. Ta bort ansamlade gräsrester och smuts runt kontaktstiften och laddningsremarna med regelbundna mellanrum för att se till att Landroid®M laddas ordentligt varje gång.



M



N

5.4 Skärpa

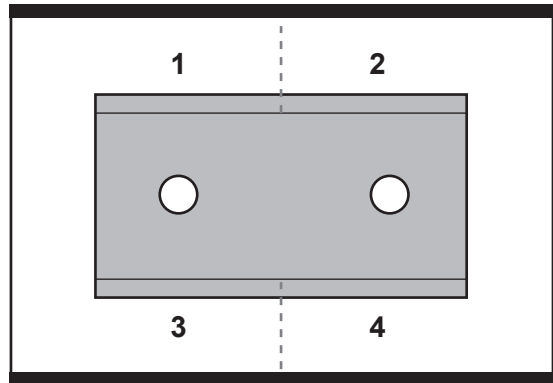


WARNING: Före rengöring, justering eller utbyte av blad, stäng AV din Landroid®M genom att föra ON/OFF-knappen till OFF. Använd skyddshandskar.



WARNING! För byta av blad, se till att du byter ALLA blad när något byte görs. Om bladet är nytt men skruven är gammal, kan skruven gå sönder under klippning och få bladet att flyga av enheten med våldsam kraft. Detta kan orsaka allvarlig personskada.

Din Landroid®M klipper inte gräs på samma sätt som andra gräsklippare. Dess blad är rakbladsvassa på alla fyra eggar och snurrar åt båda håll för maximal klippkapacitet (Se Fig. O). Varje blad på din Landroid®M har 4 skärande eggar. Beroende på hur ofta Landroid®M klipper din gräsmatta måste de skärande bladen omkastas/roteras periodvis till en ny skärande egg. Om din Landroid®M är programmerad att klippa gräsmattan varje dag måste de skärande bladen roteras varje månad för det bästa klippresultat. Varje skärande blad kommer att vara upp till 4 månader när programmering har gjorts för klippning varje dag. När de skärande bladen är slöa och utslitna, skall de ersättas med de reservblad som medföljde din Landroid®M. Reservblad är även tillgängliga i din närmaste WORX-affär.



O

A. Roter och vända på bladen

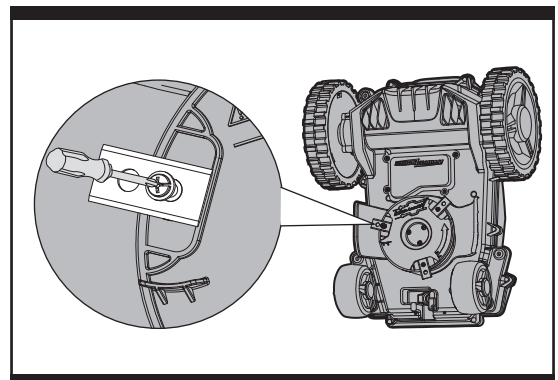
Din Landroid®M har re blad som alla är fastskruvade på bladskivan. Det är bladen som gör det möjligt för din Landroid®M att sköta sitt jobb, och därför måste de skötas och inspekteras. Emellanåt ska du rotera och vända på alla de tre bladen samtidigt för ett perfekt klippresultat. När du roterar och vänder på bladen, måste du se till att alla blad justeras samtidigt, annars kan bladskivan bli obalanserad. Om din Landroid®M följer ett a normal klippschema 8dagligen), bör bladen räcka en säsong om du roterar och vänder på dem varje månad. Kontrollera alltid om bladen har fått hack eller är skadade, och byt i sådant fall ut dem.

B. Byta ut bladen

Efter en tid, vanligen varje säsong, måste du byta ut bladen på din Landroid®M. Din Landroid®M gillar inte att klippa gräs med blad som har olika ålder och kvalitet. När du byter ut bladen ska du alltså byta ut alla blad samtidigt. Du kan ersätta bladen med en av de tre reservsatserna och extra bladskruvarna som medföljer din Landroid®M.

Innan något byte av Landroid®M's blad görs, stäng av strömmen och ta på skyddshandskar. Följ därefter dessa steg:

1. Vänd försiktigt på din Landroid®M.
2. Ta bort skruvarna på bladen med en rak skruvmejsel eller en Phillips skruvmejsel.
3. Skruva fast de nya bladen ordentligt. (Se Fig. P)



P

VIKTIGT: När du har skruvat fast bladet på bladskivan, kontrollera att bladet kan rotera fritt.

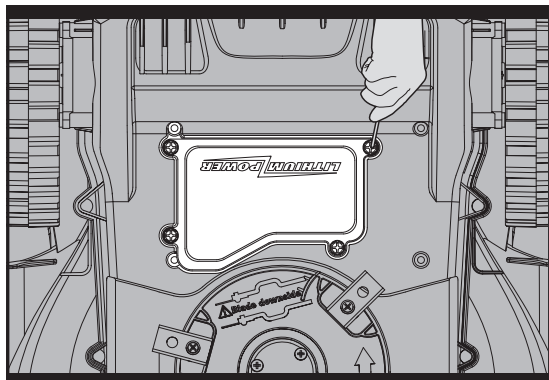
5.5 Byta ut batteriet



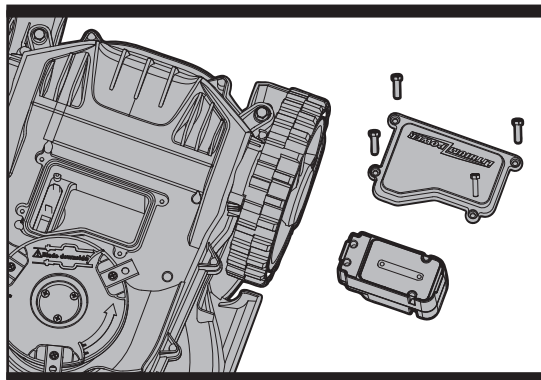
VARNING: För ON/OFF-knappen till OFF innan du utför en justering, utbyte eller reparation.

Om du behöver byta ut batteriet, följ dessa steg:

1. Vänd försiktigt på din Landroid®M.
2. Ta bort de sex skruvarna som håller fast batteriet. (Se Fig. Q)
3. Ta ut det gamla batteriet. (Se Fig. R)
4. Sätt i det nya batteriet.
5. Spänn de fyra skruvarna ordentligt.



Q



R

Miljöhänsyn



Elektriska avfallsprodukter får inte kasseras med hushållsavfallet. Återvinn på återvinningscentraler. Kontakta dina lokala myndigheter eller återförsäljaren för återvinningsråd.

Deklaration om överensstämmelse

Vi,
POSITEC Germany GmbH Konrad-Adenauer-Ufer 37 50668 Köln

Deklarerar härmed att denna produkt,
Beskrivning **WORX Robot cortacesped**
Typ **WG794E(790-799-maskinbeteckning, anger Gräsklipparrobot)**
Funktion **Gräsklippning**

Uppfyller följande direktiv,
Maskindirektiv **2006/42/EC**
Elektromagnetiskt kompatibilitetsdirektiv **2004/108/EC**
RoHS Direktiv **2011/65/EU**
Bulldirektiv för utomhusutrustning
2000/14/EC ändrad av 2005/88/EC.

Konformitetsutvärderingsprocedur enligt **Bilaga V**
Uppmätt bullernivå: **61.95dB(A)**
Deklarerad garanterad bullernivå: **63dB(A)**

Standarder överensstämmer med

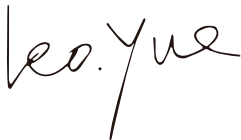
EN ISO 12100-1
EN ISO 12100-2
EN ISO 14121-1
EN ISO 3744
EN 55014-1
EN 55014-2

Personen som godkänts att sammanställa den tekniska filen.

Namn Russell Nicholson

Adress Positec Power Tools (Europe) Ltd, PO Box 152, Leeds, LS10 9DS, UK

81



2012/12/24
Leo Yue
Kvalitetschef, POSITEC

PIN-kodsområde:



2CLM81APK11001A0

Copyright © 2013, Positec. All Rights Reserved.