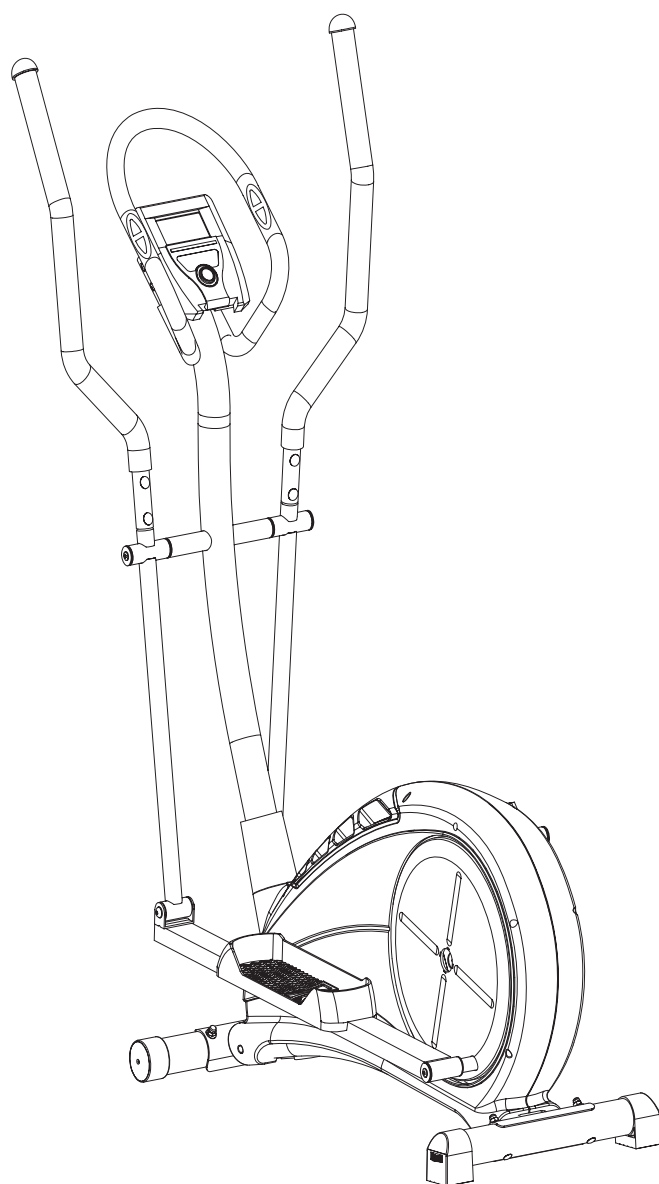


34-7508

Cross Trainer



Model: ER-6472C

ENGLISH

SVENSKA

NORSK

SUOMI

Ver. 200807

CLAS OHLSON

www.clasohlson.com

Cross Trainer

Art.no. 34-7508, model ER-6472C

Please read the entire instruction manual before using and save it for future use.

We apologise for any text or photo errors and any changes of technical data.

If you have any questions concerning technical problems please contact our Customer Service Department (see address on reverse).

Table of Contents

1. Safety	4
2. Packaging contents	5
3. Assembly	6
4. Exercise Computer	12
5. Use	12
6. Starting to exercise	13
7. Exercise instructions	17
8. Disposal	18
9. Specifications	18

1. Safety

The product is tested according to these safety standards: EN975-1+A1 and EN975-5/HC

Warning: Always consult a doctor before you begin exercising if you suffer from any sickness or ailment which might be exaggerated by physical exercise. Stop the exercise immediately if you feel dizzy.

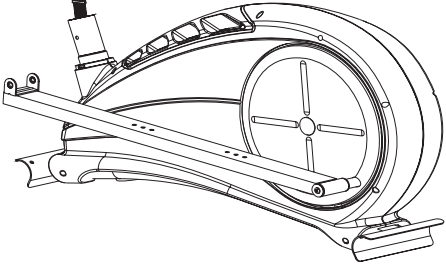
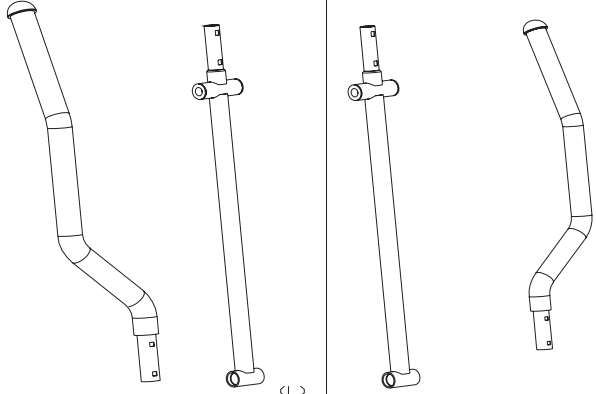
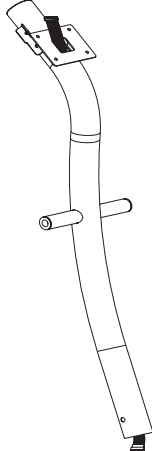
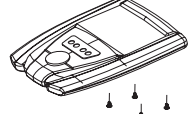
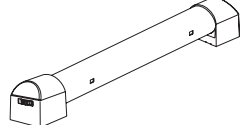
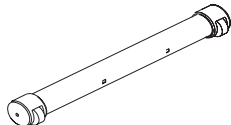
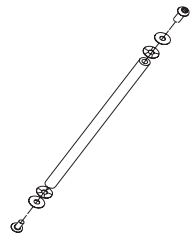
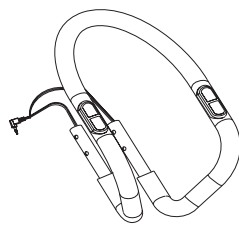
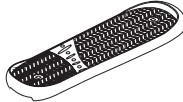
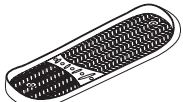
Check that all bolts, nuts and other parts are securely tightened on the Cross Trainer.





Place the Cross Trainer in a spacious area with at least 1 metre in all directions.




Read the entire instruction manual before you start exercising. Save it for future use.









- The Cross Trainer is made for home use only and tested up to a maximum body weight of 120 kg.
- Follow the assembly instructions carefully.
- Use only the included original parts.
- Check that all parts are included in the package before you start to assemble the Cross Trainer. (See "Contents of package".)
- When assembling, use only suitable tools and ask for assistance if needed.
- Place the Cross Trainer on an even, non-slip surface. Because of possible corrosion, the usage of the Cross Trainer in damp conditions is not recommended.
- Before using, and every other month, check that all bolts and nuts on the Cross Trainer are securely tightened and undamaged. Replace possible worn out parts immediately and do not use the Cross Trainer until they are changed.
- Never use strong solutions/detergents when cleaning the Cross Trainer.
- The Cross Trainer is intended for adults. Children should not use it without adult supervision.
- Ensure that those using the Cross Trainer are aware of possible hazards, e.g. clothes getting caught in moving parts during training.
- Consult your physician before starting with any exercise program. He can advise on the kind of training and which level is suitable. Warning! Incorrect/excessive training can cause injuries.
- Follow the advice for correct training as detailed in the training instructions.
- The intensity can be adjusted from the computer.

2. Packaging contains

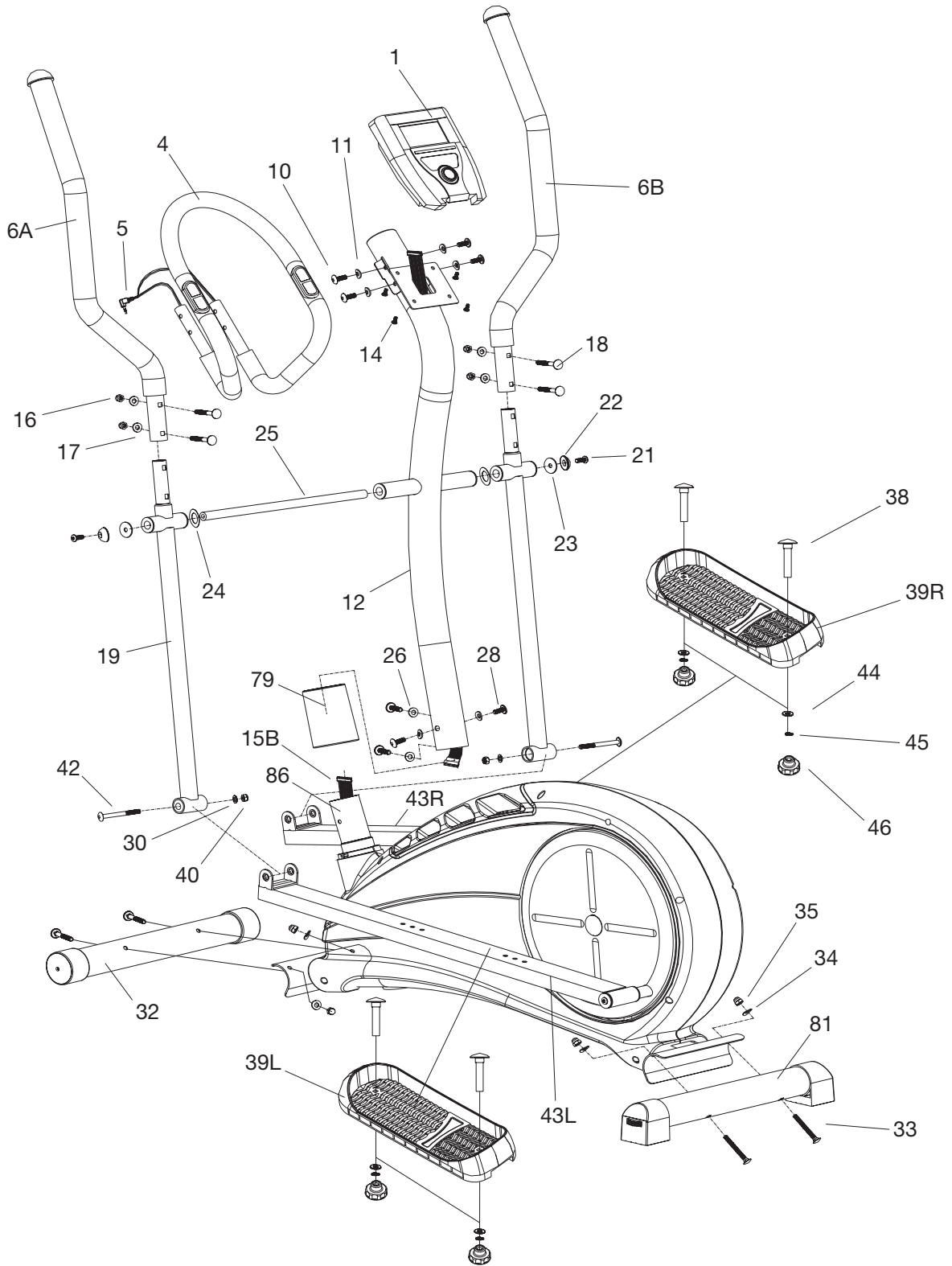
			
			
			
			

Bolt M8x40		4
Wave washer M8x35		4
Socket head screw M8x35		4
Washer M8		4

	Allen key
	Allen key
	Phillips screwdriver

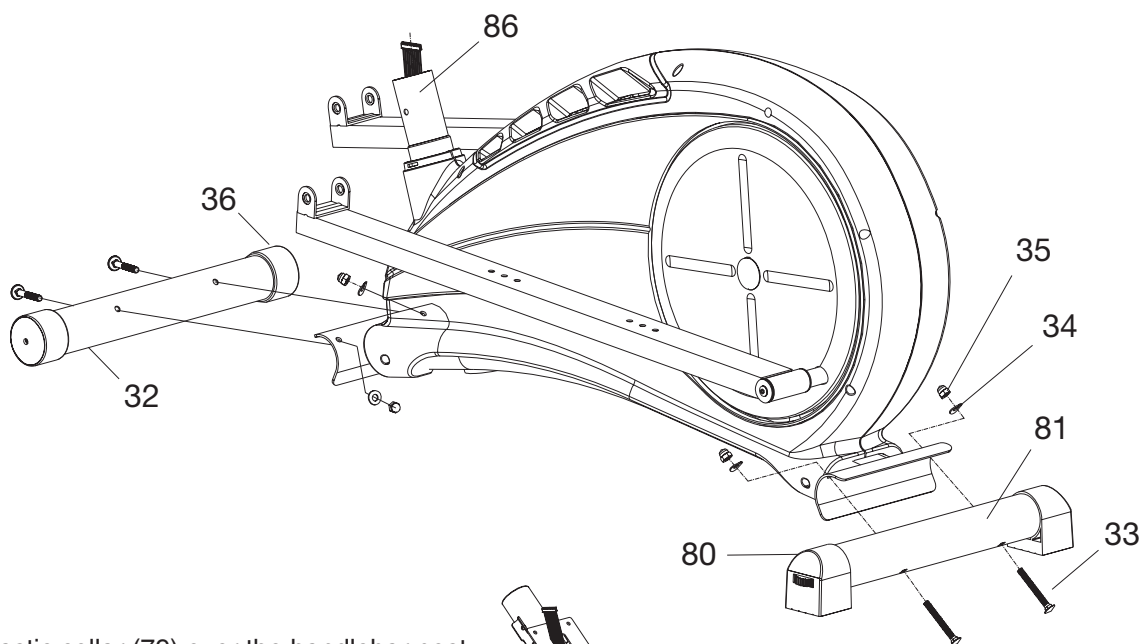
Coach bolt M6x50		4
Spring washer M6		4
Washer M6		4
Pedal locking knob		4
Bolt M8x70		4
Cap nut M8		8
Washer M8		4
Bolt M10x78		2
Cap nut M10		2
Washer M10		2

3. Assembly



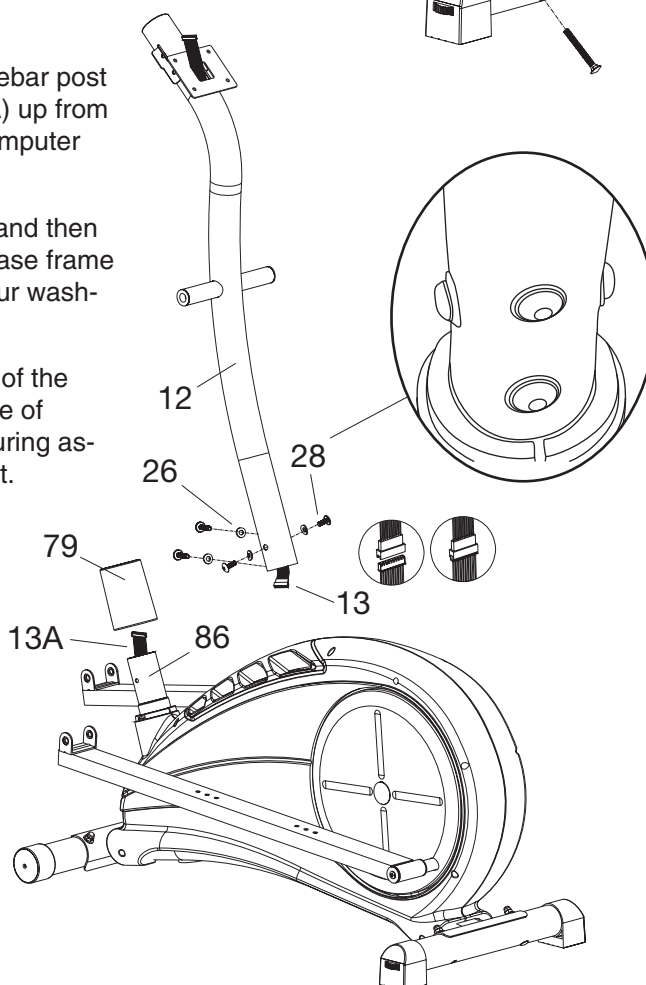
Step 1

1. Attach the front foot (32) and rear foot (81) to the base frame using two bolts (33), washers (34) and cap nuts (35) on each foot.
2. If the floor is uneven, the rear foot (81) has an individual height adjuster on both sides.
3. The front foot (32) has transportation wheels, which need to face towards the front of the Cross Trainer.



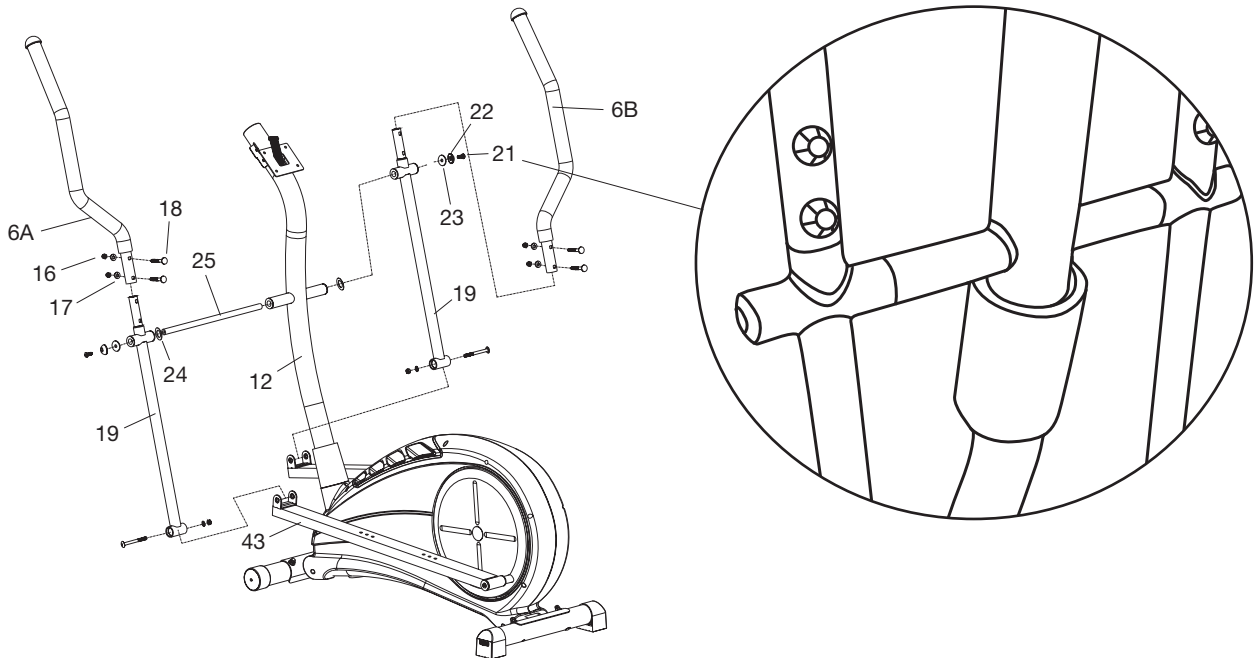
Step 2

1. Fit the plastic collar (79) over the handlebar post and then pass the computer cable (13A) up from the base frame and connect it to the computer cable (13) in the handlebar post.
2. First unscrew the pre-assembled bolts and then secure the handlebar post (12) to the base frame (86) using four M8x20 bolts (28) and four washers (26).
3. Attach the round plastic collar (79) part of the way up the handlebar post using a piece of sticky tape so that it is not in the way during assembly. Do not tighten the bolts (28) yet.

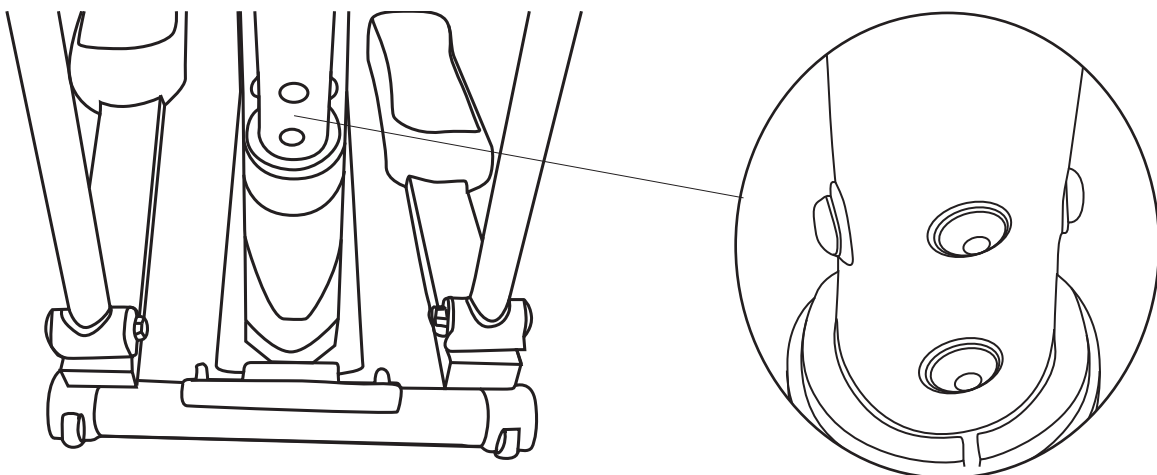


Step 3

1. Unscrew the pre-assembled screws (21) and then pass the axle (25) through the holes at the top of the lower half of the moveable handlebars (19) and the handlebar post (12) as shown. Remember the washers (24) between the post and the handlebars. Secure the axle using the screws (21), wave washers (24), washers (22) and the plastic washers (23).
2. Tighten the screws (21) making sure that the moveable handlebars can move back and forth freely but without too much play.



3. Attach the lower moveable handlebar (19) to the U-bracket of the pedal arm (43). Secure it using the bolts (42), washers (30) and nuts (40). Adjust the tube to a comfortable length for you. Take up the slack in the U-bracket.
4. It is now time to tighten the screws at the base of the frame. First tighten the two screws on the front, then the two screws on the side. If the two side screws are tightened first, the frame will be loose and noisy.

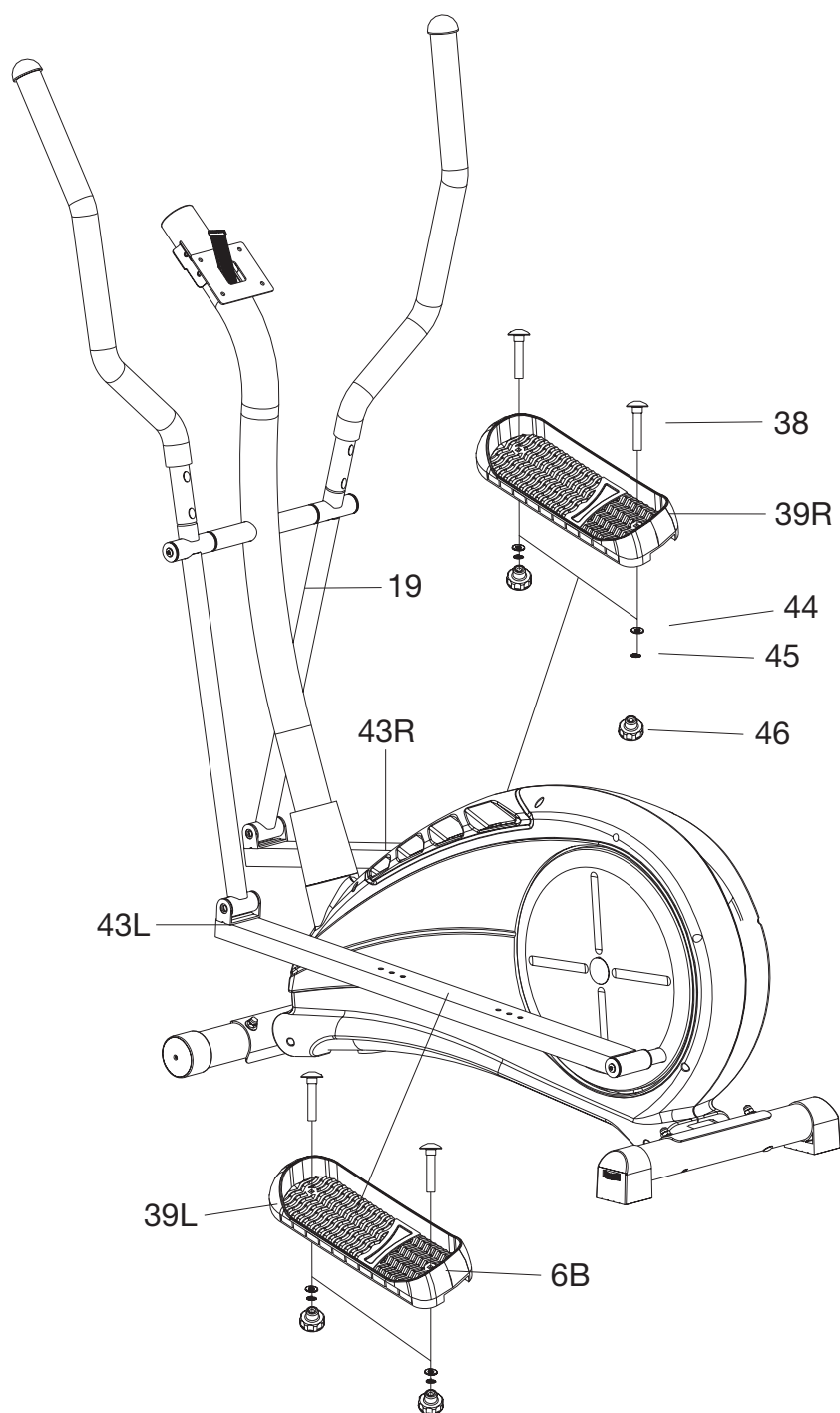


5. Remove the tape and attach the plastic collar (79).
6. Attach the upper halves of the moveable handlebars (6A & 6B) to the lower halves (19) using the bolts (18), washers (17) and cap nuts (16).

Step 4

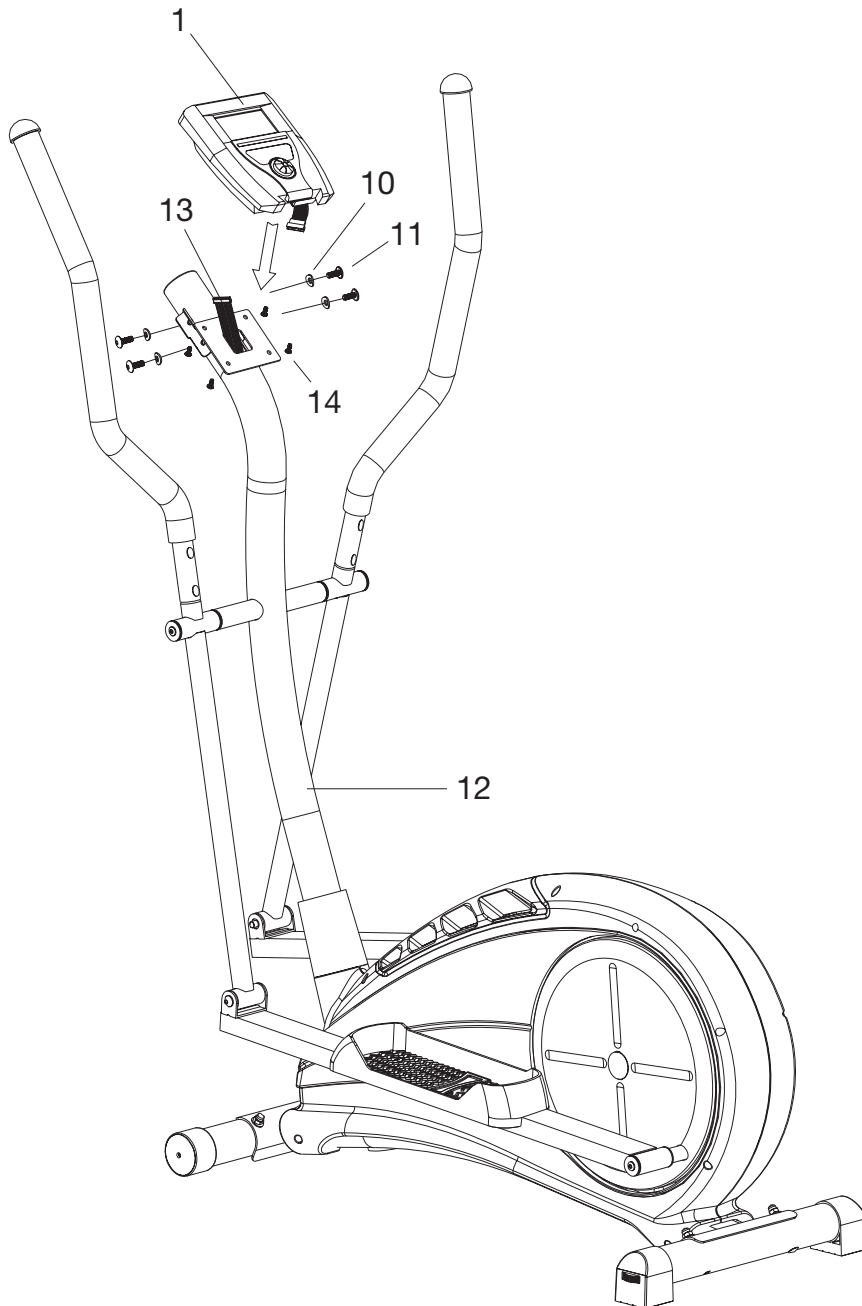
1. Attach the footplates (39L & 39R) using the holes in the pedal arms (43) in a position that suits you best. Experiment until you find the best position for you. Secure using screws (38), washers (44) lock washers (45) and locking knobs (46).

Note! Both footplates should be positioned on the same setting.



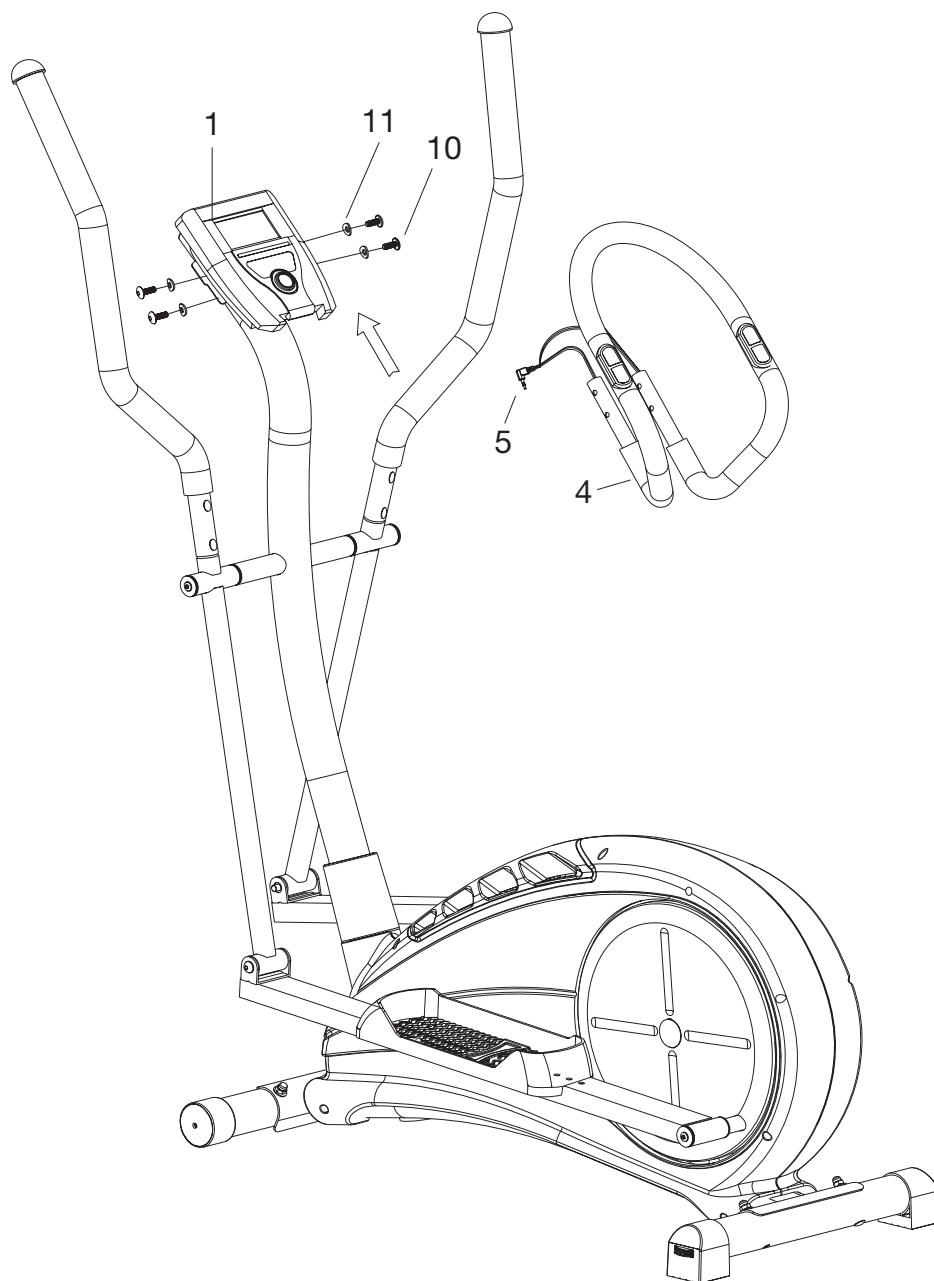
Step 5

1. First connect the computer cable (13) to the connection on the back of the computer(1). Then fix the computer to the bracket using the screws (14) supplied.



Step 6

1. Attach the fixed handlebar (4) to the handlebar post using the four bolts (10) and washers (11).
2. Plug the pulse rate sensor cable (5) into the back of the computer.



4. Exercise Computer

PULSE RECOVERY

Pushing this button starts the fitness-test. The result is graded from F1.0 to F6.0.

MEMORY

Stores the results from the Body Fat test.

UP

Change setting/increase tension.



ST/SP

Start/Stop – pushing this button starts or stops the selected programme.

ENTER

Used for selecting programmes, confirming settings and selecting the display mode (time, speed, distance, etc.).

DOWN

Change setting/reduce tension.

5. Use

Power Supply

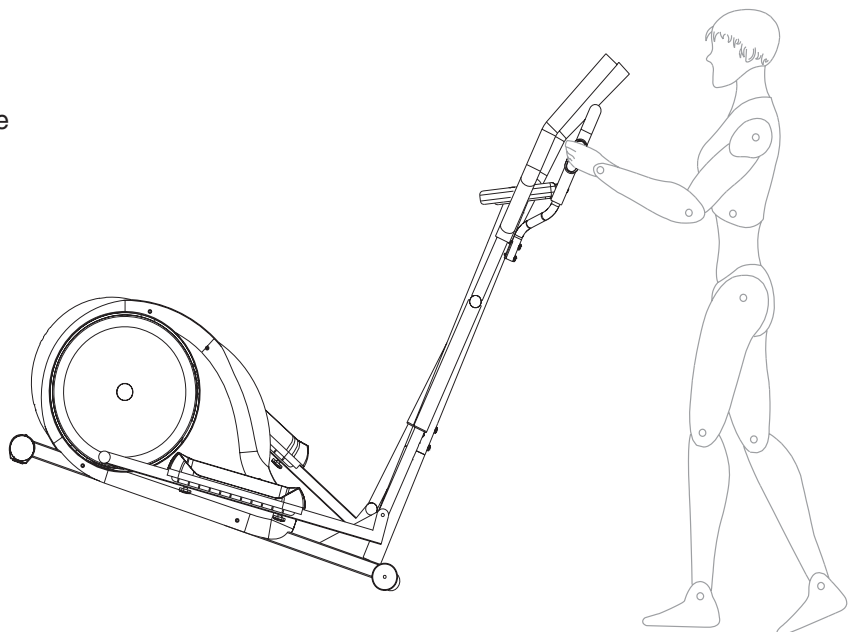
Connect the DC plug from the supplied AC/DC adaptor (6 V, 1,000 mA, + in centre) to the outlet on the back side of the rear foot (81). Connect the adaptor to a wall socket.

Turn on the display

Press any of the buttons or start pedalling to activate the display. Underneath PROGRAM the number 1 will flash for **Program 1 MANUAL**. Check that the AC/DC adaptor is correctly connected if the display is not working .

Moving the Cross Trainer

Grip the fixed handlebar and lift the rear foot off the ground so that the wheels on the front can rotate.



6. Starting to Exercise

6.1 Basic use

Activating the display

Push one of the buttons or start pedalling to activate the display. If the display does not work, make sure that the AC/DC adaptor is correctly connected.

Tension

The tension is represented by bars on the display, a high bar represents a high tension and a low bar represents a lower tension. The tension can be altered whilst you are exercising using [UP] and [DOWN].

Targets

Every exercise program has various targets which you can set, such as the workout time, distance travelled, or number of calories burned.

To Pause

Push the [ST/SP] button whenever you would like to pause the training programme. The measurement will pause and the display will show the current values. Push [ST/SP] again to resume the programme.

To change the function whilst training

Push [ST/SP] to stop the current programme. Push [UP] or [DOWN] to select another programme, confirm by pushing [ENTER].

Resetting

To reset set programmes, push [ST/SP] and hold it in for 3 seconds. The computer will beep and the display will briefly show every sequence of the programme.

6.2 Selecting an Exercise Programme

Explanation of the menus/programmes

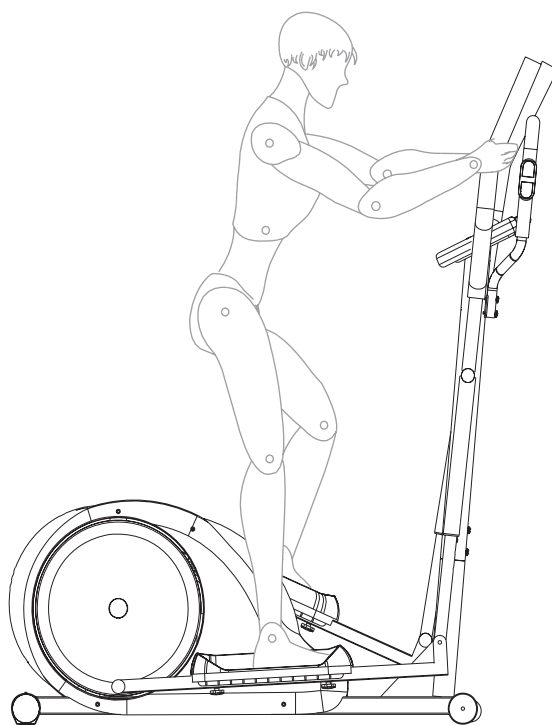
No.	Programmes	Explanation	Targets/Settings
1	Manual	Exercise programme with or without set targets. The tension can be manually adjusted whilst exercising.	- TIME - DISTANCE - CALORIES
2	Rolling	Preset programme with varied tension throughout the workout.	- TIME - DISTANCE - CALORIES
3	Valley	Preset programme representing the ups and downs of a valley.	- TIME - DISTANCE - CALORIES
4	Fat Burn	Preset programme representing an upward slope and a downward slope.	- TIME - DISTANCE - CALORIES
5	Ramp	Preset programme with gradually increasing tension.	- TIME - DISTANCE - CALORIES
6	Mountain	Preset mountain climbing programme with tension levels rising and falling throughout.	- TIME - DISTANCE - CALORIES

7	Intervals	Preset programme with the tension level changing rapidly.	<ul style="list-style-type: none"> - TIME - DISTANCE - CALORIES
8	Watt Control	Select tension manually. Constant tension no matter how fast you pedal. Tension preset to 100 W, but can be altered.	<ul style="list-style-type: none"> - TIME - DISTANCE - CALORIES - WATT
9	55 % H.R.C.	Heart rate controlled programme. Exercise until you have reached 55% of your maximum pulse.	<ul style="list-style-type: none"> - TIME - DISTANCE - CALORIES - AGE - TARGET H.R
10	75 % H.R.C.	Heart rate controlled programme. Exercise until you have reached 75 % of your maximum pulse.	<ul style="list-style-type: none"> - TIME - DISTANCE - CALORIES - AGE - TARGET H.R
11	90 % H.R.C.	Heart rate controlled programme. Exercise until you have reached 90 % of your maximum pulse.	<ul style="list-style-type: none"> - TIME - DISTANCE - CALORIES - AGE - TARGET H.R
12	Target H.R	Heart rate controlled programme. Exercise until you have reached your target pulse.	<ul style="list-style-type: none"> - TIME - DISTANCE - CALORIES - TARGET H.R
13	Users Profile	Allows you to create a personalised programme by setting the tension levels of each column.	<ul style="list-style-type: none"> - TIME - DISTANCE - CALORIES - COLUMN 1-10
14	Body Test	Presents the results of FAT%, BMR, BMI and BODY TYPE (see chart).	<ul style="list-style-type: none"> - HEIGHT - WEIGHT - AGE - SEX
15	User Data	Enter you personal details.	<ul style="list-style-type: none"> - NAME: Max. 8 letters - HEIGHT - WEIGHT - AGE - SEX

Exercising without targets

Follow these steps to start exercising without setting any targets:

1. Push [UP] or [DOWN] to select the desired exercise programme (see the chart).
2. Push [ST/SP] to start exercising without setting any targets.
3. You may now start exercising. Mount the Cross Trainer as shown.



Entering your personal settings

1. Select program 15 (User Data) using [UP] or [DOWN], confirm using [ENTER].
2. Change the setting using [UP] or [DOWN] and push [ENTER] to advance to the next setting.
3. Repeat the process until you have made all the settings.

Starting to exercise and setting targets

1. Push [UP] or [DOWN] to select the desired exercise programme (see the chart). Press [ENTER] to confirm.
2. Press [ENTER] once or repeatedly to select targets/settings.
3. Change the setting using [UP] or [DOWN] and push [ENTER] to advance to the next setting.
4. Repeat the process until you have made all the settings.
5. When all the settings have been made, push [ST/SP] to start exercising.
6. You may now start exercising. Mount the Cross Trainer as shown.

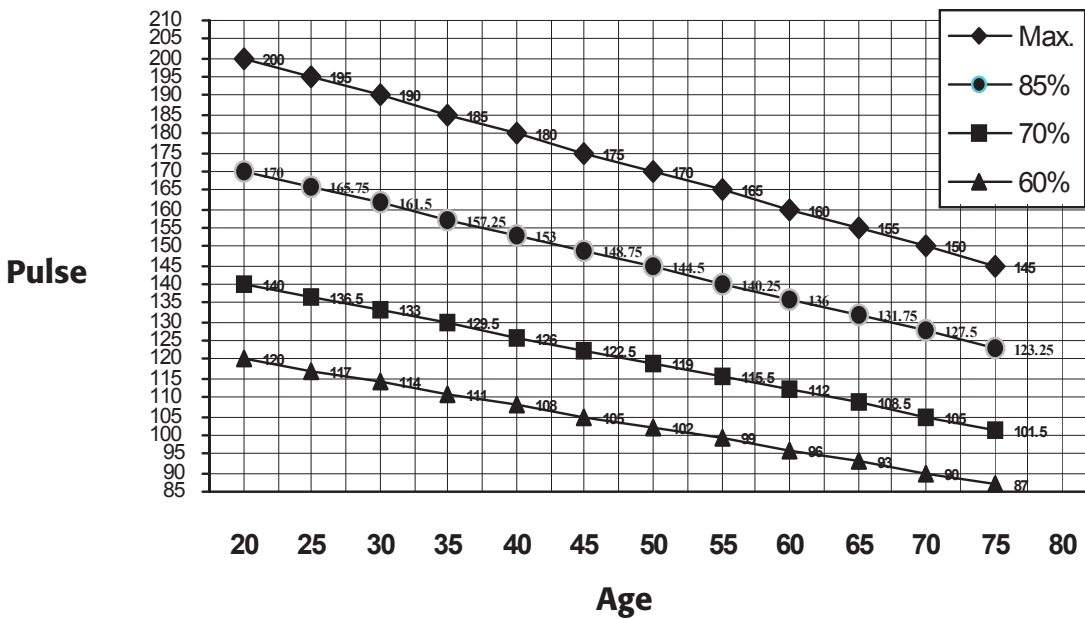
Example:

Exercising in 15 minute intervals:

1. Select program 7 (Intervals) using [UP] or [DOWN].
2. Push [ENTER] to confirm, "TIME" is shown in the display.
3. Set the time to 15 minutes using [UP] or [DOWN].
4. Push [ST/SP] to start exercising, the countdown is displayed.
5. A buzzer sounds for a few seconds when you have reached your target, e.g. when the countdown reaches "0".

6.3 Pulse measurement

- Place both palms against the pulse sensor on the handlebars. Hold both pulse sensors in order to obtain as accurate a reading as possible. After a while your current pulse rate will be displayed.
- When the words “HOLD SENSOR” appear in the display during an exercise programme you should place both palms against the sensors.
- Heart rate control is read magnetically. There is an automatic adjustment of the read heart rate compared to the actual heart rate.
- If your pulse rate is less then the set target value, the load resistance will increase. If your pulse rate is above the set target value, the load resistance will decrease.
- If the load resistance has decreased to its lowest possible value and your pulse is still above the set target value the display starts to flash to warn you to slow down.



6.4 Measuring body fat – Body test (program 14)

1. Start program 14 (Body test).
2. Place both palms against the pulse sensor on the handlebars. Hold both pulse sensors in order to obtain a correct reading. If the computer does not read a pulse value, ERROR will appear on the display.
3. The results will be presented as FAT%, BMR, BMI and BODY TYPE. Push [ENTER] to select which result you wish to view.

FAT% Chart

1	5 % - 14 %
2	15 % - 24 %
3	25 % - 29 %
4	30 % - 39 %
5	40 % - 50 %

N.B.

- The results obtained from the computer are only for the interests of exercising and should not be used for medical purposes.

6.5 Fitness-test (Pulse Recovery)

This test is personal and is used to measure your pulse after you have finished exercising.

1. After your workout pass, push [PULSE RECOVERY] once.
2. Hold the pulse sensors in both hands and begin pedalling.
3. The timer counts down from 60 seconds to zero.
4. When the test is over the result is displayed:

F1.0	Excellent
F2.0	Good
F3.0	Average
F4.0	Below average
F5.0	Poor
F6.0	Very poor

7. Exercise instructions

Many different factors have to be considered when you plan your training program. If you have been physically inactive for a long time or if you suffer from any kind of illness you need to consult with a physician before you plan your exercise program.

Intensity

- To achieve the best possible results the right intensity needs to be selected, this is based on your pulse. This equation is often used to calculate your maximum pulse:
Max pulse = 220 – Your age
- During training your pulse should be between 60% and 85% of your maximum pulse (see the pulse chart at the end of the instruction manual).
- For the first few weeks of exercise your workout pulse should be 60% of your maximum pulse.
- When you have improved your values and have been training for a few weeks you can allow your workout pulse to increase up to 85% of your maximum pulse.

Burning Fat

The body starts burning fat at 60% of your maximum pulse. The optimal fat burning will be at 60 to 70% of your maximum pulse. You will achieve the best results if you normally do 3 workouts of 30 minutes per week.

Example:

You are 52 years old and are starting to exercise and burn fat.

Maximum pulse rate = $220 - 52$ (age) = 168 pulse/min.

Lowest pulse rate = 168×0.6 = 101 pulse/min.

Maximum workout pulse rate = 168×0.7 = 117 pulse/min.

A workout pulse between 101 and 117 during training gives the best fat burning result in this example according to the equation.

Workout tips!

Warm-up

Before every training session, you should warm-up for 5-10 minutes which can include some stretching or walking with a light load.

Training session

During actual training a rate of 60 to 85% of the maximum pulse rate should be chosen. The length of the training session can be calculated using the following as a guide.

- Daily training session = Approx. 10 minutes per session.
- 2-3 times per week = Approx. 20 minutes per session.
- 1-2 times per week = Approx. 60 minutes per session.

Cooling down:

For an effective cooling-down of the muscles and the metabolism the intensity should be drastically decreased during the last 5-10 minutes. Stretching is also helpful in preventing muscle stiffness.

For best results:

- Exercising will show results after quite a short time and your workout pulse will soon decrease during the training sessions.
- In order to achieve this, you will need to be motivated to exercise regularly. Choose fixed hours for your training.
- Begin exercising carefully, and then increase the amount of your training as you become more fit.
- Wishing you luck with to healthier lifestyle!

8. Disposal

Follow local ordinances when disposing of this product. If you are unsure about how to dispose of this product contact your municipality.

9. Specifications

Power: 6 V DC, 1000 mA via the supplied mains adaptor 230 V AV, 50 Hz

Size:

Height	1600 mm
Length	1340 mm
Width	590 mm
Flywheel	8 kg each

Cross Trainer

Art.nr 34-7508, modell ER-6472C

Läs igenom hela bruksanvisningen före användning och spara den sedan för framtida bruk.

Vi reserverar oss för ev. text- och bildfel samt ändringar av tekniska data.

Vid tekniska problem eller andra frågor, kontakta vår kundtjänst (se adressuppgifter på baksidan).

Innehållsförteckning

1. Säkerhet	20
2. Förpackningen innehåller	21
3. Montering	22
4. Beskrivning av datorn	28
5. Användning	28
6. Börja träna	29
7. Träningsinstruktioner	33
8. Avfallshantering	34
9. Specifikationer	34

1. Säkerhet

Produkten är testad enligt dessa säkerhetsstandarder: EN975-1+A1 och EN975-5/HC

Varning: Rådgör alltid med en läkare innan du börjar träna om du lider av någon sjukdom eller annan åkomma som kan förvärras av fysisk träning. Avbryt genast träningen om du känner dig yr.

Kontrollera att alla bultar/muttrar och andra delar sitter fast på motionscykeln och är åtdragna.

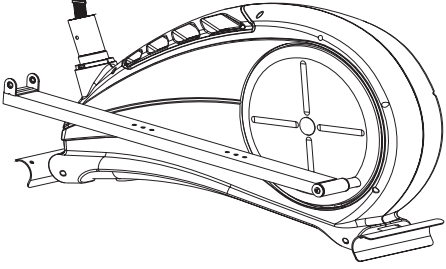
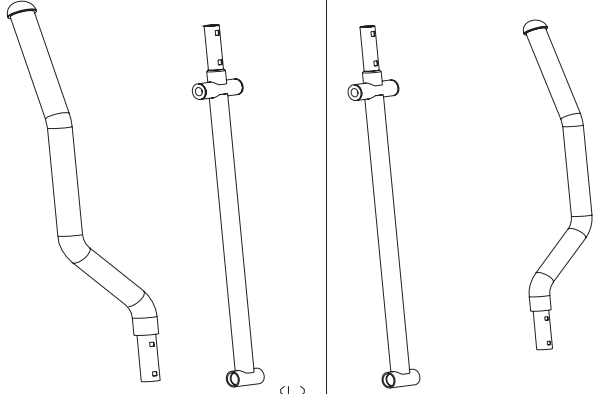
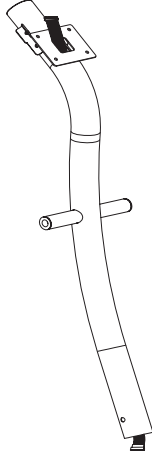
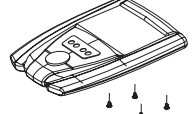
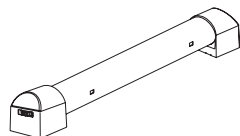
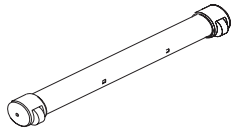
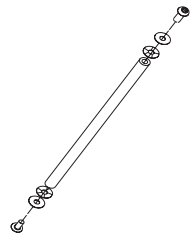
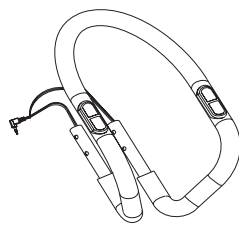
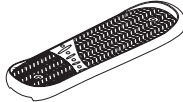
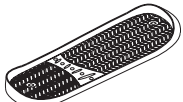
Placera Cross Trainern så att det finns en öppen yta runt motionscykeln på minst 1 meter i alla riktningar.





Läs hela bruksanvisningen innan du börjar träna med motionscykeln, spara bruksanvisningen för framtida bruk.



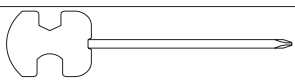
- Cross Trainern är konstruerad för personlig användning i hemmet och är testad för en kroppsvikt upp till 120 kg.
- Följ monteringsanvisningens olika steg noga vid monteringen.
- Använd endast de delar eller tillbehör som medföljer förpackningen.
- Kontrollera att alla delar finns med i förpackningen innan du börjar montera Cross Trainern. (Se "Förpackningen innehåller".)
- Använd rätt verktyg vid monteringen, be någon om hjälp att hålla i om det behövs.
- Placera Cross Trainern på ett jämnt halkfritt underlag i en torr lokal, den ska inte användas eller förvaras i utomhus eller i lokaler som har hög luftfuktighet.
- Kontrollera innan första användningstillfället och sedan var eller varannan månad att alla bultar/muttrar är åtdragna och oskadade samt att de sitter fast på Cross Trainern. Ersätt ev. slitna delar omedelbart, använd inte Cross Trainern innan den är åtgärdad.
- Använd aldrig starka lösningsmedel/rengöringsmedel vid rengöring.
- Cross Trainern är främst avsedd för vuxna. Barn bör endast använda den under tillsyn av någon vuxen.
- Den som använder Cross Trainern bör vara medveten om de faror som finns t.ex. risk att fastna med kläder i delar som rör sig under användning.
- Rådgör gärna med en läkare eller sjukgymnast innan du börjar träna så att de kan ge råd om lämplig träningsmetod och belastning. **Varning! Felaktig/överdriven träning kan ge skador.**
- Följ de träningsinstruktioner som finns i bruksanvisningen.
- Arbetsbelastningen kan justeras från datorn.









2. Förpackningen innehåller

SVENSKA

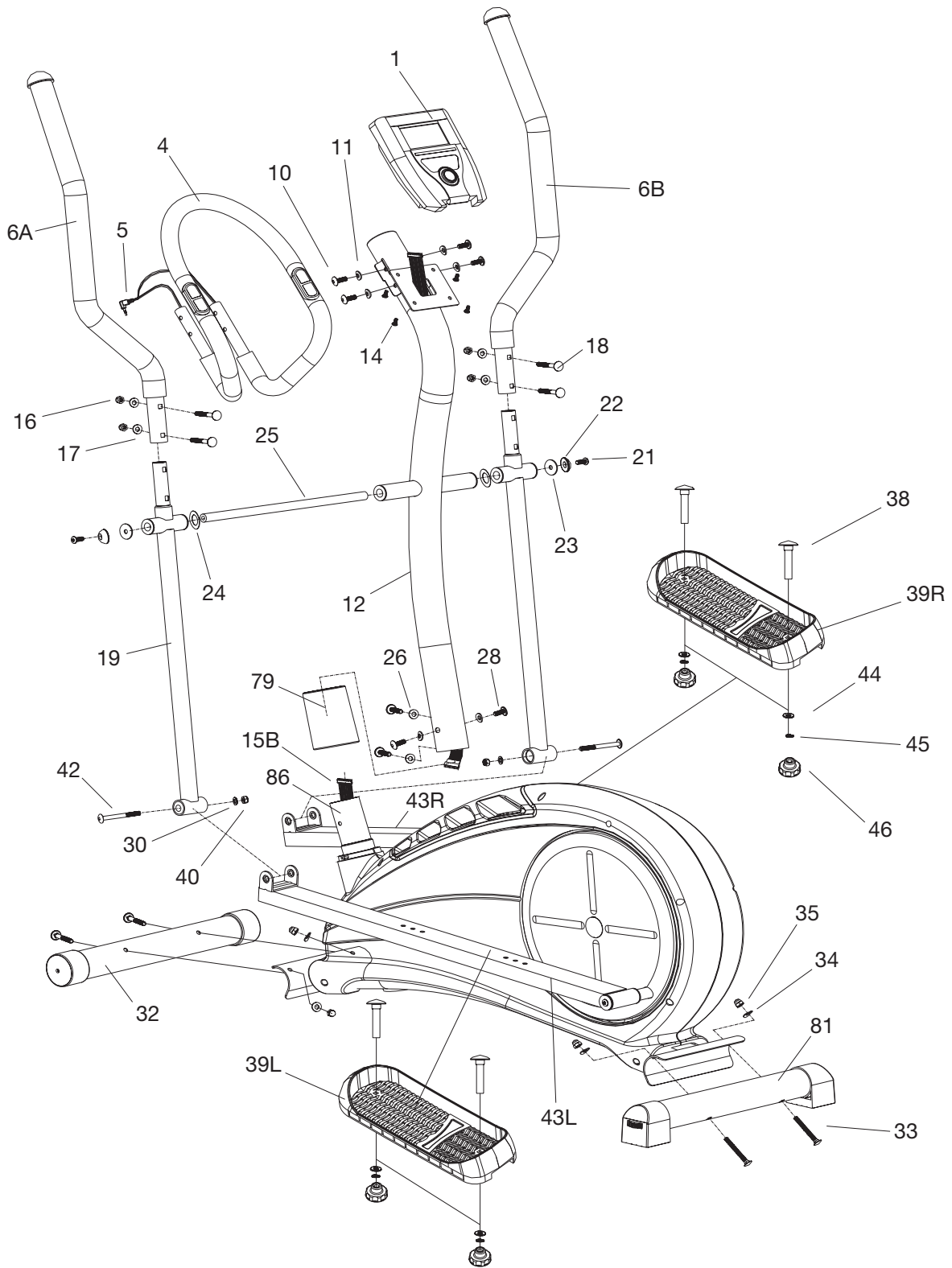
	 <p style="text-align: right;">(L) (R)</p>		
			
			
			

Bult M8x40		4
Axialbricka M8		4
Insexbult M8x35		4
Bricka M8		4

	Insexnyckel
	Insexnyckel
	Stjärnmejsel

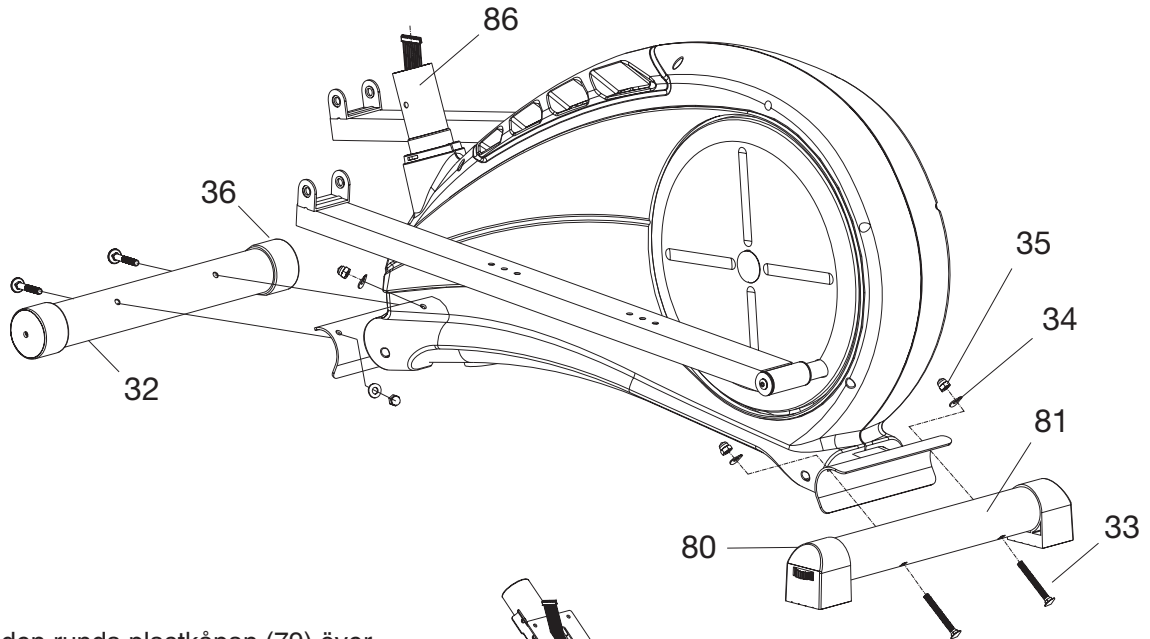
Bult M6xP1.0x50 för pedaler		4
Fjäderbricka M6		4
Bricka M6		4
Ratt för pedalbult		4
Bult M8x70		4
Kupolmutter M8		8
Bricka M8		4
Bult M10x78		2
Kupolmutter M10		2
Bricka M10		2

3. Montering



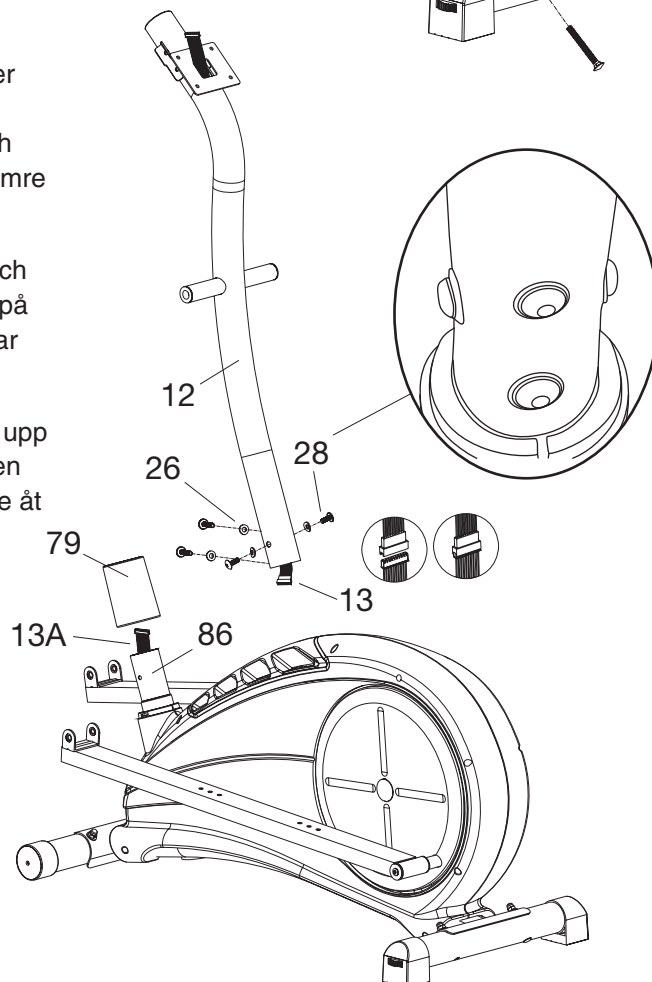
Steg 1

1. Montera främre (32) och bakre golvstöd (81) till bottenramen med två bultar (33), brickor (34) samt kupolmuttrar (35) till varje golvstöd.
2. Är underlaget ojämt har det bakre golvstödet (81) individuell justering av höjden på båda sidor.
3. Det främre golvstödet har (32) har transporthjul, de skall vändas framåt vid montering.



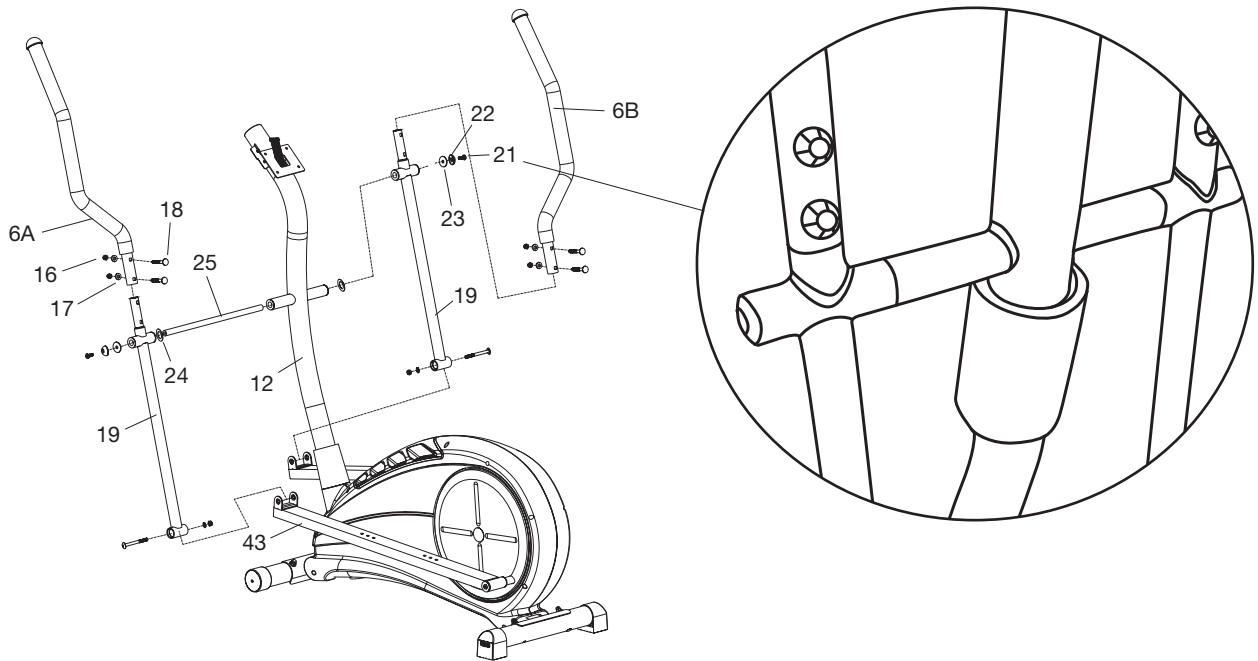
Steg 2

1. Montera den runda plastkåpan (79) över den främre ramen och för sedan upp datorkabeln (13A) från bottenramen och anslut den till datorkabeln (13) i den främre ramen.
2. Lossa först de förmonterade bultarna och montera sedan den främre ramen (12) på bottenramen (86) med fyra M8x20-bultar (28) och fyra brickor (26).
3. Fixera den runda plastkåpan (79) in bit upp på ramen med hjälp av en bit tejp så den inte är i vägen vid monteringen. Dra inte åt bultarna (28) vid detta tillfälle.

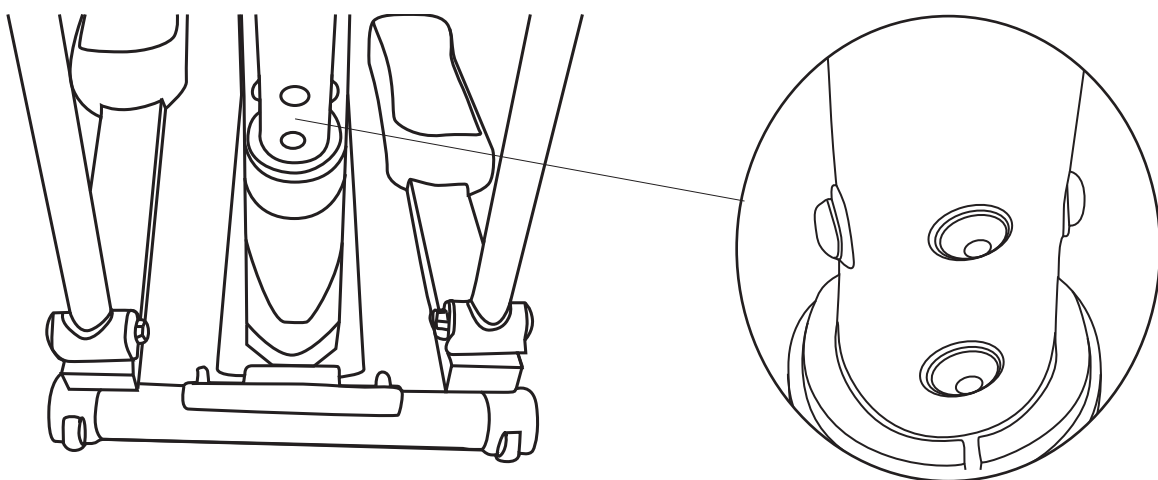


Steg 3

1. Lossa de förmonterade skruvarna (21) och för sedan igenom axeln (25) genom hålen i de nedre handtagsstängerna (19) och den främre ramen (12) enligt bilden. Kom ihåg brickorna (24) mellan ramen och stängerna. Fäst axeln med skruvarna (21), axialbrickorna (24), brickorna (22) samt plastbrickorna (23).
2. Dra skruvarna (21) hårt men se till att handtagsstängerna kan röra sig lätt, dock utan att glappa.



3. Montera de nedre handtagsstängerna (19) i pedalarmarnas u-fästen (43). Fäst med bultarna (42), brickorna (30) och muttrarna (40). Justera röret så det passar bra. Dra ihop U-fästet så det inte glappar.
4. Dra nu åt skruvarna längst ner på röret. Dra de två främre först så mycket det går och sen de på sidorna. Drar man sidoskruvarna först kommer det att glappa vid användning och oljud uppstår.

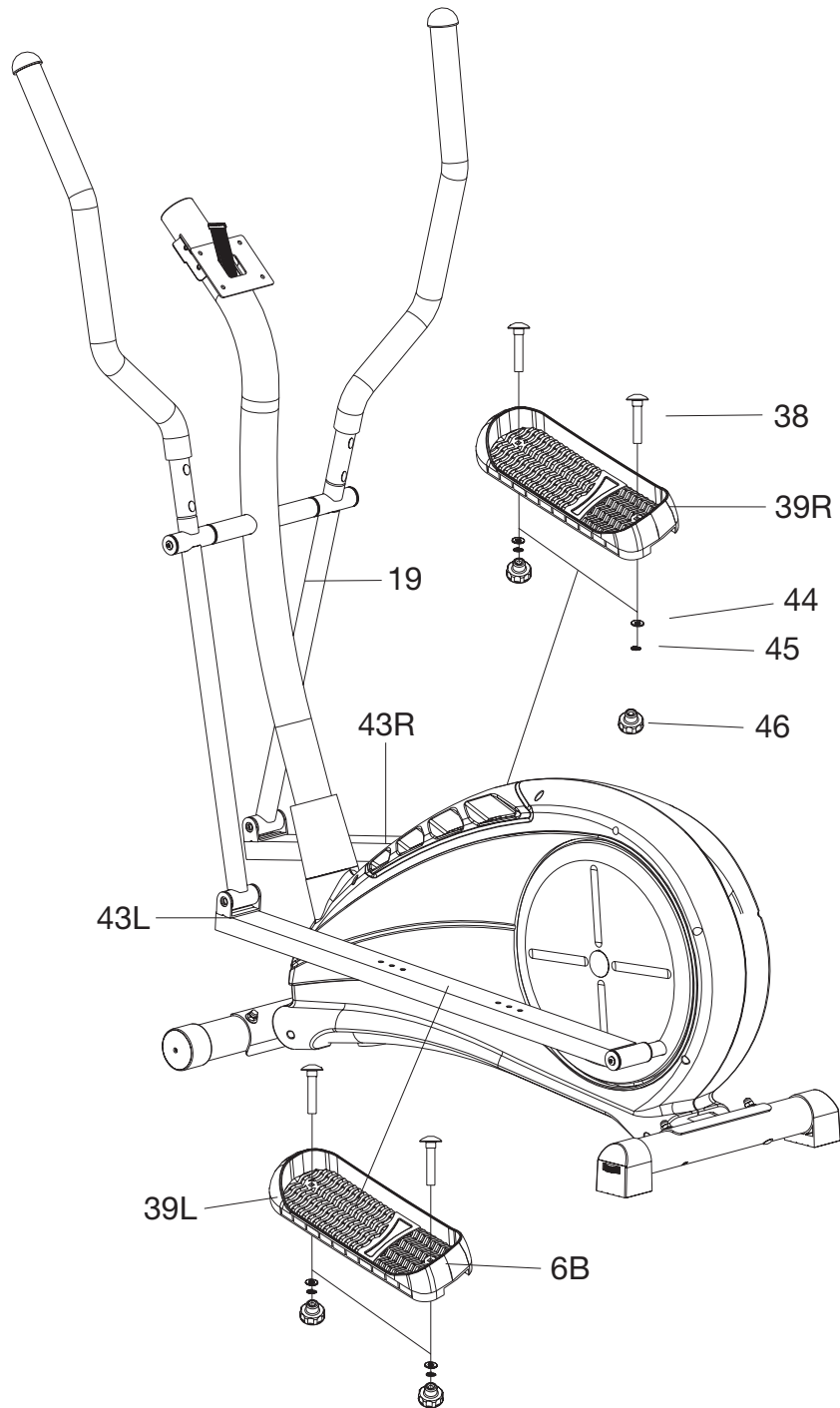


5. Lossa tejpens å montera plastkåpan (79).
6. Fäst de övre handtagen (6A & 6B) på de nedre handtagsstängerna (19) med bultarna (18), brickorna (17) och kupolmuttrarna (16).

Steg 4

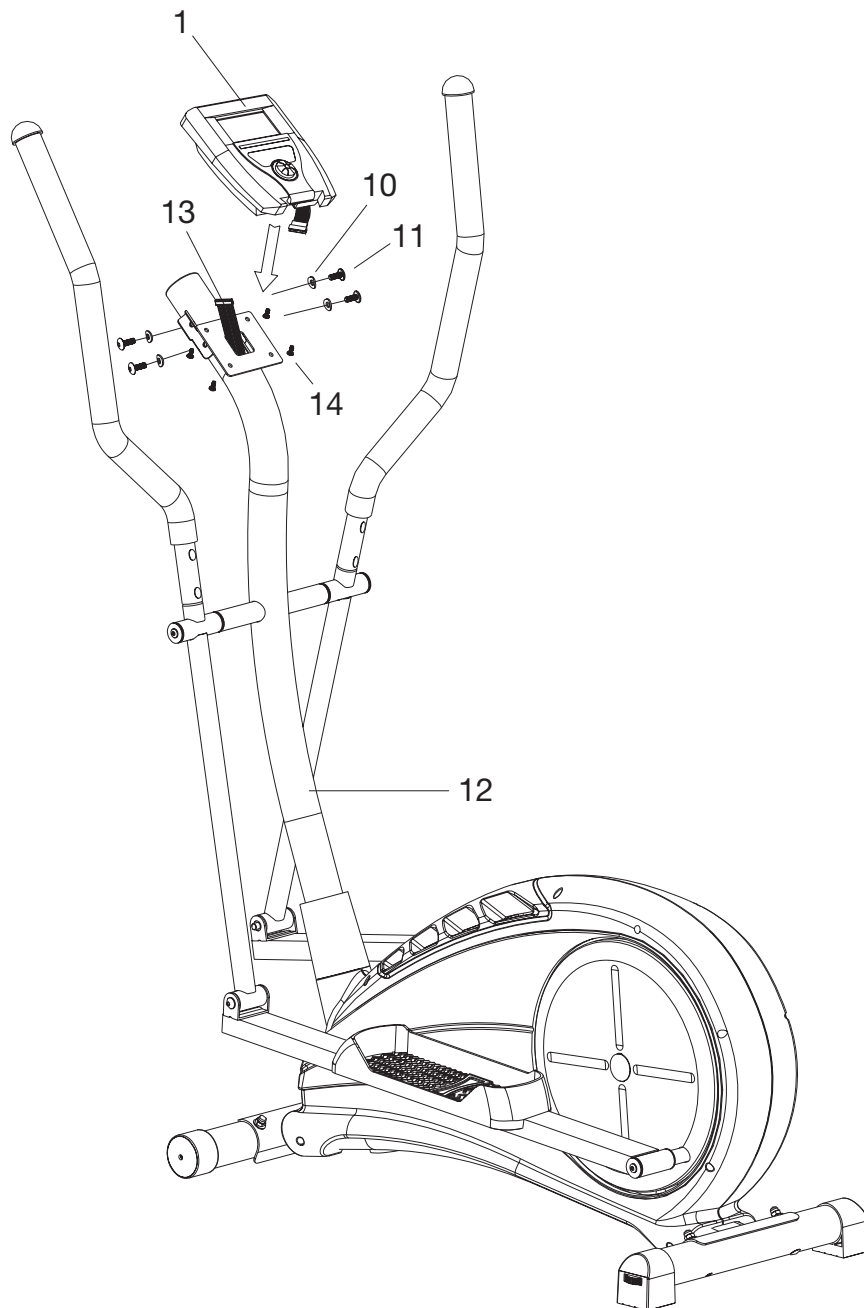
1. Montera fotplattorna (39L & 39R) i de hål på pedalarmarna (43) som passar användaren bäst. Prova dig fram till det avstånd som känns bäst. Använd skruvarna (38), brickorna (44), låsbrickorna (45) samt rattarna (46).

Obs! Båda fotplattorna bör monteras med samma avstånd.



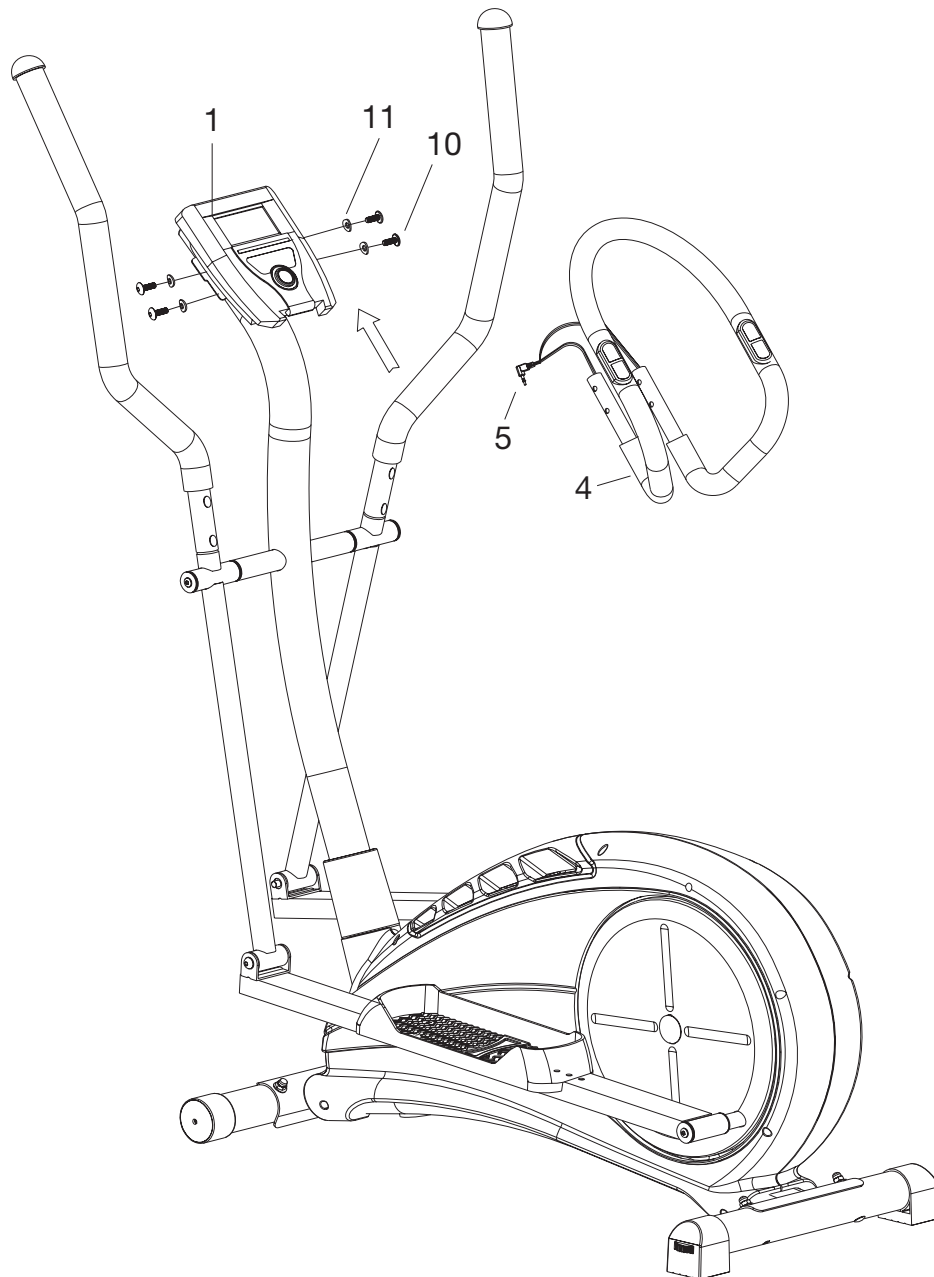
Steg 5

1. Anslut först datorkabeln (13) till kontakten på datordelens (1) baksida. Montera sedan datordelen på hållaren med de medföljande skruvarna (14).



Steg 6

1. Fäst handtaget (4) på den främre ramen med hjälp av de fyra bultarna (10) och brickorna (11).
2. Anslut pulskännarnas kablage (5) till anslutningen på datorns baksida.



4. Beskrivning av datorn

PULSE RECOVERY

Tryck för att starta fitness-test. Resultatet graderas från F1.0 till F6.0.

MEMORY

Lagrar uppmätta resultat från Body Fat-testet.

UP

Ändra inställning/Öka belastning



ST/SP

Start/Stop – Tryck för att starta eller stoppa valt program.

ENTER

Tryck för att välja program, bekräfta dina inställningar samt välja visningsläge (tid, hastighet, distans osv.).

DOWN

Ändra inställning/
Minska belastning

5. Användning

Strömförsörjning

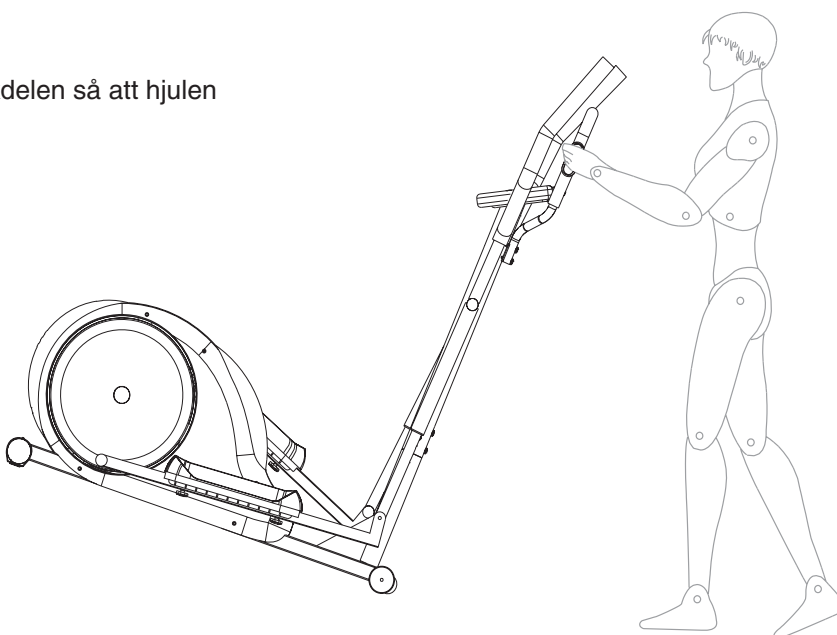
Anslut DC-pluggen från medföljande batterieliminatör (6 V, 1000 mA, + på centrum) till uttaget på baksidan nära det bakre golvstödet (81), anslut batterieliminatören till ett eluttag.

Slå på displayen

Tryck på någon av knapparna eller börja trampa för att aktivera displayen, under "Program" blinkar siffran 1 för **Program1 MANUAL**. Kontrollera att batterieliminatören är rätt ansluten om inte displayen aktiveras.

Flytta ditt träningsredskap

Ta tag i handtaget och lyft upp bakdelen så att hjulen i framkanten kan rulla fritt.



6. Börja träna

6.1 Grundläggande användning

Aktivera displayen

Tryck på någon av knapparna eller börja trampa för att aktivera displayen. Kontrollera att batterieliminatorn är rätt ansluten om displayen inte aktiveras.

Belastning

Belastningen följer staplarna på skärmen, en hög stapel ger hög belastning och en låg stapel ger lägre belastning. Belastningen kan ändras under träningens gång med [UP] och [DOWN].

Träningsmål

Varje träningsprogram har olika träningsmål som låter dig ställa in träningspassets tid, distans eller hur många kalorier som ska förbrännas.

Pausa träningen

Tryck när som helst på [ST/SP] för att pausa träningen. Mätningen stannar och displayen fryser aktuella värden. Tryck igen på [ST/SP] för att återuppta träningen.

Ändra funktion under pågående träning

Tryck på [ST/SP] för att stoppa pågående program. Tryck på [UP] eller [DOWN] för att välja ett annat program, bekräfta genom att trycka på [ENTER].

Återställning

För att återställa inställda program, tryck och håll in [ST/SP] i ca 3 sekunder. Datorn avger en ton och displayen visar under en kort stund samtliga segment.

6.2 Välja träningsprogram

Förklaring av menyerna/träningsprogrammen

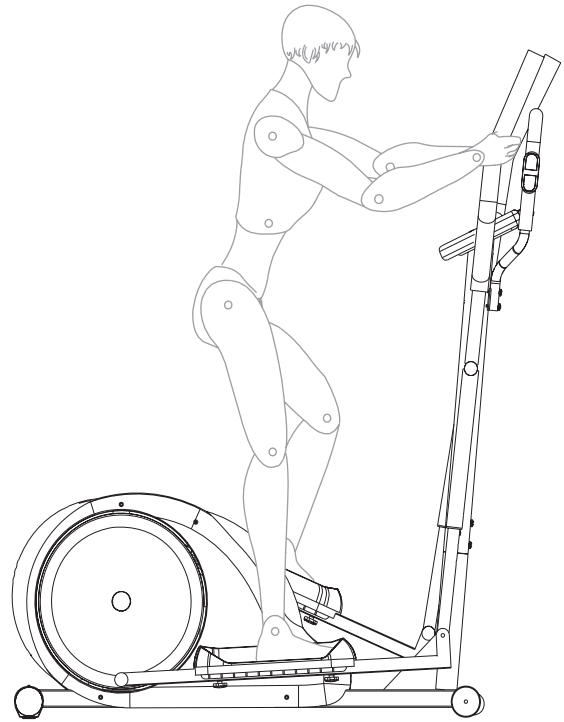
Nr	Program	Förklaring	Träningsmål/Inställningar
1	Manual	Träningsprogram med eller utan inställda mål. Belastningen kan manuellt ökas eller minskas under träningens gång.	- TIME (tid) - DISTANCE (distans) - CALORIES (kaloriförbränning)
2	Rolling	Förinställd belastning med varierat motstånd under träningens gång.	- TIME (tid) - DISTANCE (distans) - CALORIES (kaloriförbränning)
3	Valley	Förinställd belastning i form av en dal med uppförs- och utförsbackar.	- TIME (tid) - DISTANCE (distans) - CALORIES (kaloriförbränning)
4	Fat Burn	Förinställd belastning i form av en backe upp och en backe ner.	- TIME (tid) - DISTANCE (distans) - CALORIES (kaloriförbränning)
5	Ramp	Förinställd belastning med långsamt ökande motstånd.	- TIME (tid) - DISTANCE (distans) - CALORIES (kaloriförbränning)
6	Mountain	Förinställd belastning i form av ett berg med ökande och minskande motstånd under träningens gång.	- TIME (tid) - DISTANCE (distans) - CALORIES (kaloriförbränning)

7	Intervals	Förinställd belastning med snabbt varierande motstånd.	<ul style="list-style-type: none"> - TIME (tid) - DISTANCE (distans) - CALORIES (kaloriförbränning)
8	Watt Control	Låter dig själv välja belastningen. Konstant belastning vilket betyder samma motstånd oberoende av hastighet. Belastningen är inställbar men är förinställd till 100 W.	<ul style="list-style-type: none"> - TIME (tid) - DISTANCE (distans) - CALORIES (kaloriförbränning) - WATT (effekt)
9	55 % H.R.C.	Pulsstyr program. Träning tills du uppnår 55 % procent av din maxpuls.	<ul style="list-style-type: none"> - TIME (tid) - DISTANCE (distans) - CALORIES (kaloriförbränning) - AGE (ålder) - TARGET H.R (målpuls)
10	75 % H.R.C.	Pulsstyr program. Träning tills du uppnår 75 % procent av din maxpuls.	<ul style="list-style-type: none"> - TIME (tid) - DISTANCE (distans) - CALORIES (kaloriförbränning) - AGE (ålder) - TARGET H.R (målpuls)
11	90 % H.R.C.	Pulsstyr program. Träning tills du uppnår 90 % procent av din maxpuls.	<ul style="list-style-type: none"> - TIME (tid) - DISTANCE (distans) - CALORIES (kaloriförbränning) - AGE (ålder) - TARGET H.R (målpuls)
12	Target H.R	Pulsstyr program. Träning tills du uppnår inställd målpuls.	<ul style="list-style-type: none"> - TIME (tid) - DISTANCE (distans) - CALORIES (kaloriförbränning) - TARGET H.R (målpuls)
13	Users Profile	Låter dig själv göra ett varierat program genom att ställa in belastningen för varje kolumn för sig.	<ul style="list-style-type: none"> - TIME (tid) - DISTANCE (distans) - CALORIES (kaloriförbränning) - COLUMN 1-10 (kolumn 1 till 10)
14	Body Test	Presenterar resultatet i FAT%, BMR, BMI samt BODY TYPE (se tabell).	<ul style="list-style-type: none"> - HEIGHT (längd) - WEIGHT (vikt) - AGE (ålder) - SEX (kön)
15	User Data	Anger dina personliga inställningar.	<ul style="list-style-type: none"> - NAME (namn): Max. 8 bokstäver - HEIGHT (längd) - WEIGHT (vikt) - AGE (ålder) - SEX (kön)

Starta träningen utan träningsmål

Använd denna träningsmetod om du vill träna utan att ställa in några träningsmål.

1. Tryck på [UP] eller [DOWN] för att ställa in önskat träningsprogram (se tabell).
2. Tryck [ST/SP] för att starta träningen utan att ställa in några träningsmål.
3. Du kan nu börja träningen. Ställ dig på crosstrainern enligt bilden.



Ställa in dina personliga inställningar

1. Välj program 15 (User Data) med knapparna [UP] eller [DOWN], bekräfta med [ENTER].
2. Ändra inställning med [UP] eller [DOWN] och tryck [ENTER] för att gå till nästa inställning.
3. Repetera tills du gjort alla inställningar.

Starta träningen och ställ in träningsmål

1. Tryck på [UP] eller [DOWN] för att ställa in önskat träningsprogram (se tabell). Tryck [ENTER] för att bekräfta.
2. Tryck en eller flera gånger på [ENTER] för att välja träningsmål/inställning.
3. Ändra inställning med [UP] eller [DOWN] och tryck [ENTER] för att gå till nästa inställning.
4. Repetera tills du gjort alla inställningar.
5. När du gjort dina inställningar trycker du [ST/SP] för att starta träningen.
6. Du kan nu börja träningen. Ställ dig på crosstrainern enligt bilden.

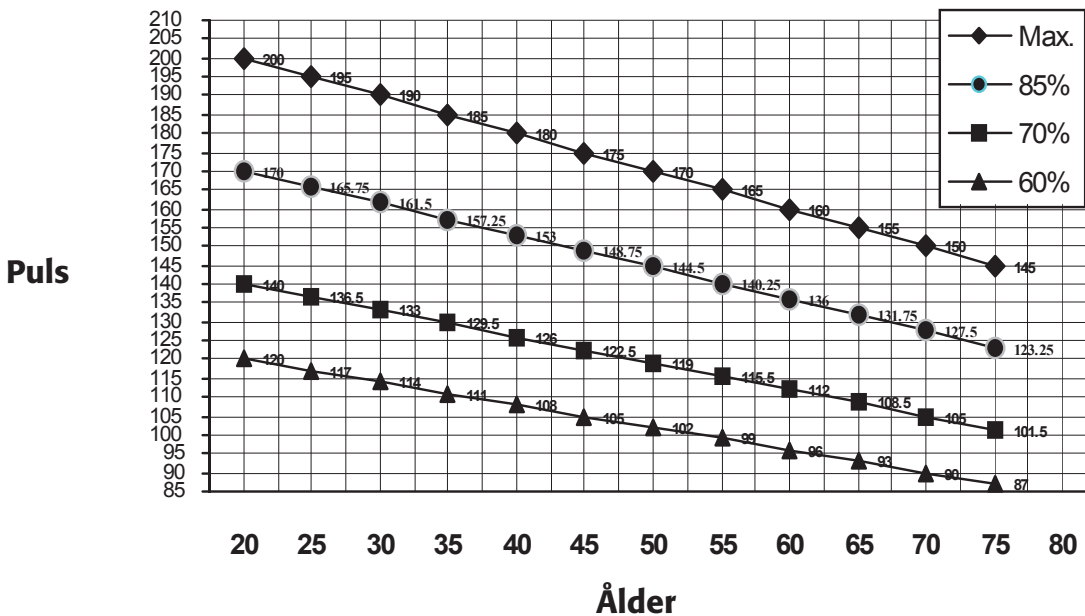
Exempel:

Intervallträning i 15 minuter:

1. Välj program 7 (Intervals) med [UP] eller [DOWN].
2. Tryck [ENTER] för att bekräfta, "TIME" visas i displayen.
3. Ställ in tiden 15 minuter med knapparna [UP] eller [DOWN].
4. Tryck [ST/SP] för att starta träningen, nedräkningen visas i displayen.
5. En signal ljuder målet har nåtts, t.ex. när tiden har räknats ned till "0".

6.3 Pulsavläsning

- Placera båda händerna mot pulssensorerna på styret, håll i båda pulssensorerna för att få så noggrann avläsning som möjligt. Efter en stund visas din aktuella puls.
- När texten "HOLD SENSOR" visas i displayen under ett träningsprogram placerar du båda händerna mot pulssensorerna.
- Pulsen avläses magnetiskt, det finns en automatisk justering av den avlästa pulsen jämförd med den faktiska pulsen.
- Om pulsen ligger under inställt målvärde ökas belastningen. Om pulsen ligger över inställt målvärde minskas belastningen.
- Om belastningen har minskats till lägsta möjliga värde och pulsen fortfarande ligger över inställt målvärde börjar displayen blinka för att varna dig att det är dags att sakta ner.



6.4 Mätning av kroppsfett – Body test (program 14)

1. Starta program 14 (Body test).
2. När texten "HOLD SENSOR" visas placerar du båda händerna mot pulssensorerna på styret, håll i båda pulssensorerna för att få så noggrann avläsning som möjligt. Om datorn inte registrerar någon pulsmätning visas efter en stund texten "ERROR" i displayen.
3. Resultatet presenteras i FAT%, BMR, BMI samt BODY TYPE. Tryck [ENTER] för att välja det resultat du vill visa.

Tabell FAT%

1	5 % - 14 %
2	15 % - 24 %
3	25 % - 29 %
4	30 % - 39 %
5	40 % - 50 %

Obs!

- Resultaten som presenteras av datorn får endast användas i tränings syfte, ej för medicinskt bruk!

6.5 Fitness-test (Pulse Recovery)

Testet är personligt och används för att mäta sin pulsnivå efter avslutat träningspass.

1. Efter träningspasset, tryck en gång på [PULSE RECOVERY].
2. Håll båda händerna på pulssensornerna och börja trampa.
3. Tiden räknas ned från 60 sekunder till noll.
4. Vid avslutat test visas resultatet på displayen:

F1.0	Utmärkt
F2.0	Bra
F3.0	Genomsnittlig
F4.0	Under genomsnitt
F5.0	Dålig
F6.0	Mycket dålig

7. Träningsinstruktioner

Många olika faktorer måste tas med i beräkning när du lägger upp ditt träningsprogram. Har du varit fysiskt inaktiv under lång tid eller lider du av någon sjukdom som kan försämrats vid fysisk träning bör du rådgöra med en läkare innan du lägger upp ditt träningsprogram.

Intensitet

- För att nå bästa möjliga resultat måste rätt intensitet väljas, detta baseras på din puls. Denna formel används ofta för att räkna ut din max. puls:

$$\text{Max puls} = 220 - \text{Din ålder}$$

- Under träning bör arbetspuls vara mellan 60 % och 85 % av din max. puls (Se pulsdigrammet).
- De första veckorna som du tränar bör din arbetspuls ligga på 60 % av din max. puls.
- När du har förbättrat dina värden och har tränat några veckor kan du långsamt låta arbetspuls öka upp mot 85 % av din max. puls.

Fettförbränning

Kroppen börjar förbränna fett vid 60 % av din max. puls. Optimal fettförbränning får du vid 60 till 70 % av din max. puls. Bästa träningsresultat får du normalt om du gör 3 träningspass på 30 minuter per vecka.

Exempel:

Du är 52 år gammal och ska börja träna och förbränna fett.

Max. puls blir $220 - 52 = 168$ pulsslag/minut enligt formeln.

Lägsta arbetspuls = $168 \times 0,6 = 101$ pulsslag/minut.

Övre arbetspuls = $168 \times 0,7 = 117$ pulsslag/minut.

Arbetspuls mellan 101 och 117 under träning ger således bästa fettförbränning i detta exempel enligt formeln!

Träningstips!

Uppvärmning

Värm upp 5 till 10 minuter innan du börjar ditt träningspass t.ex. med stretching eller gång med låg belastning.

Träningsmängd

Arbetspuls mellan 60 till 85 % av din max. puls är lämplig under träning, träningspassets längd kan anpassas efter denna lathund:

Daglig träning = ca 10 minuter vid varje träningspass.

Träning 2-3 gånger/vecka = ca 20 minuter vid varje träningspass.

Träning 1-2 gånger/vecka = ca 60 minuter vid varje träningspass.

Efter träningspasset

Låt musklerna kylas ner efter träningen, dra ner på takt och belastning de sista minuterna. Ägna också en stund efter träningspasset till att stretcha musklerna för att förebygga stelhet i musklerna.

Vägen till framgång

- Träningen kommer att ge resultat efter ganska kort tid, så att din arbetspuls sänks under arbetspassen.
- Försök att göra dina träningspass regelbundet, det är lättare att hålla ut om träningen sker vid samma tidpunkt på dagen.
- Starta träningen försiktigt, öka sedan träningsdosen när du blir mera vältränad.
- Lycka till med en hälsosammare livsstil!

8. Avfallshantering

När du ska göra dig av med produkten ska detta ske enligt lokala föreskrifter. Är du osäker på hur du ska gå tillväga, kontakta din kommun.

9. Specifikationer

Drivspänning: 6 V DC, 1000 mA via medföljande nätadapter 230 V AV, 50 Hz

Mått:

Höjd	1600 mm
Längd	1340 mm
Bredd	590 mm
Svänghjul	Vikt 8 kg/st.

Cross Trainer

Art.nr 34-7508, modell ER-6472C

Les nøye igjennom hele bruksanvisningen og ta vare på den til senere bruk.

Vi reserverer oss mot ev. tekst- og bildefeil, samt forandringer av tekniske data.

Ved tekniske problemer eller andre spørsmål, ta kontakt med vårt kundesenter (se opplysninger på baksiden).

Innholdsfortegnelse

1. Sikkerhet	36
2. Forpakningen inneholder	37
3. Montering	38
4. Beskrivelse av computeren	44
5. Bruk	44
6. Begynn å trene	45
7. Treningsinstruksjoner	49
8. Avfallshåndtering	50
9. Spesifikasjoner	50

1. Sikkerhet

Produktet er testet i henhold til følgende sikkerhetsstandarder: EN975-1+A1 og EN975-5/HC

Advarsel: Rådfør deg alltid med en lege før du starter å trene, dersom du lider av en sykdom eller liknende, som kan forverres av fysisk aktivitet. Avbryt treningen umiddelbart dersom du føler deg svimmel.

Kontroller at alle bolter og mutre sitter fast og er dratt til.

Plasser trimsykkelen slik at den har fritt rom på minst 1 meter i alle retninger.

Les hele bruksanvisningen før du starter å trene på denne trimsykkelen. Ta også vare på bruksanvisningen for senere bruk.

- Cross treneren er konstruert for personlig bruk i hjemmet og er testet for en kroppsvekt inntil 120 kg.
- Følg monteringsanvisningens forskjellige trinn nøye ved montering.
- Bruk kun de deler og tilbehør som følger med i forpakningen.
- Kontroller at alle deler er med i forpakningen før du begynner å montere cross treneren. (Se "Forpakningen inneholder").
- Bruk riktig verktøy til monteringen. Be om hjelp dersom det er behov for det.
- Plasser Cross treneren på et jevnt og sklisikkert underlag i et tørt lokale. Den skal ikke oppbevares eller brukes utendørs eller i lokaler som har høy luftfuktighet.
- Kontroller før første gangs bruk og deretter hver eller annenhver måned at alle bolter og mutre er dratt godt til og at de er uskadet, samt at de sitter fast på Cross treneren. Erstatt umiddelbart ev. slitte deler, bruk ikke Cross treneren før den er reparert.
- Bruk aldri sterke løsemidler/rengjøringsmidler ved rengjøring.
- Cross treneren er først og fremst beregnet for voksne. Hvis barn skal bruke den, bør det være under tilsyn av voksne.
- Den som bruker Cross treneren bør være klar over de farer som finnes som f.eks. faren for at klær kan sette seg fast i bevegelige deler.
- Rådfør deg gjerne med en lege eller idrettslege før du starter treningen, slik at de kan gi råd om passende treningsmetoder og belastning. **Advarsel!** Gal/overdrevet trening kan gi skader.
- Følg de treningsinstruksjonene som finnes i bruksanvisningen.
- Arbeidsbelastningen kan justeres fra computeren.

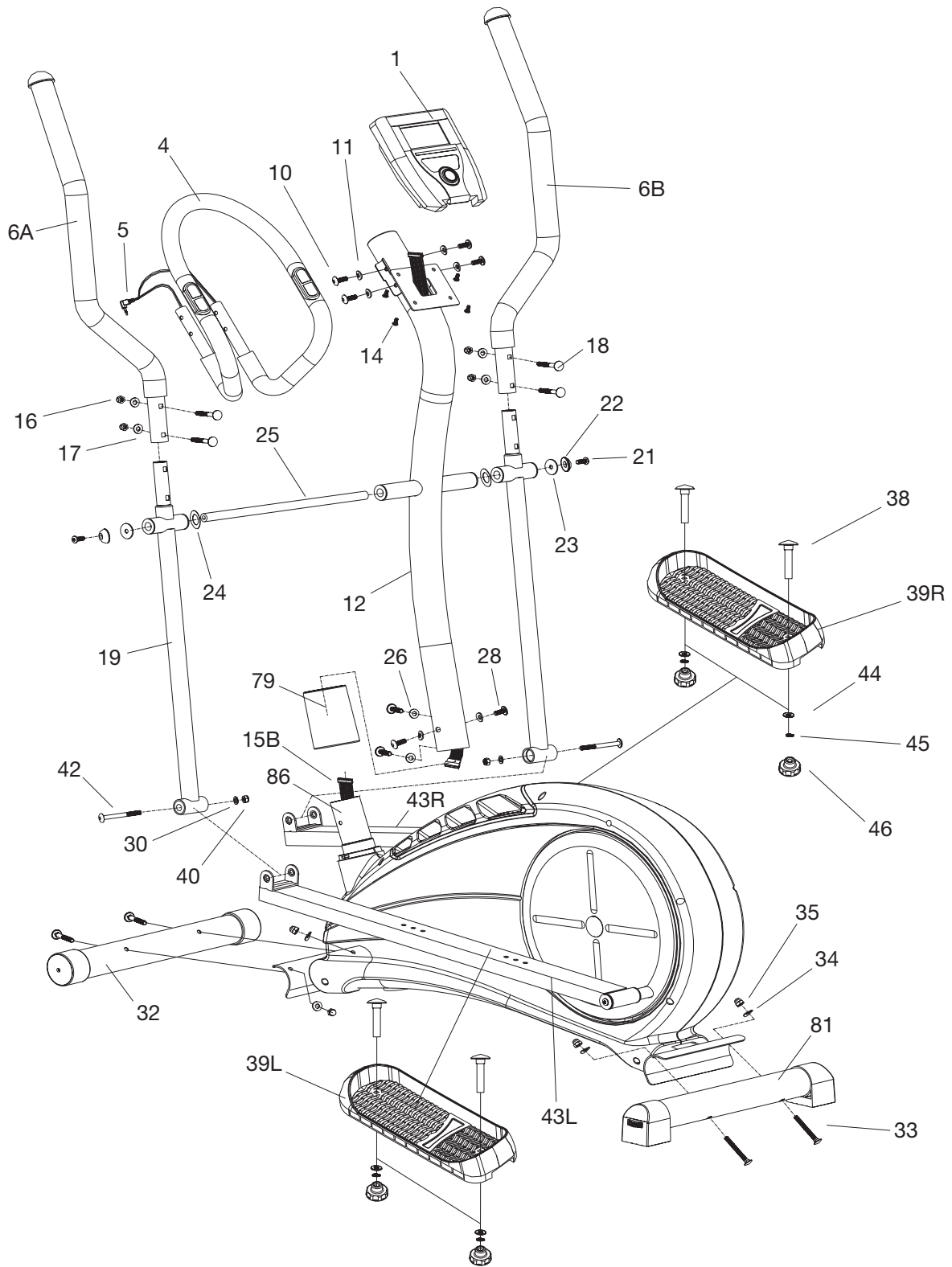
2. Forpakningen inneholder

Bolt M8x40		4
Skive M8		4
Inseksbolt M8x35		4
Skive M8		4

	Inseksnøkkel
	Inseksnøkkel
	Stjernetrekker

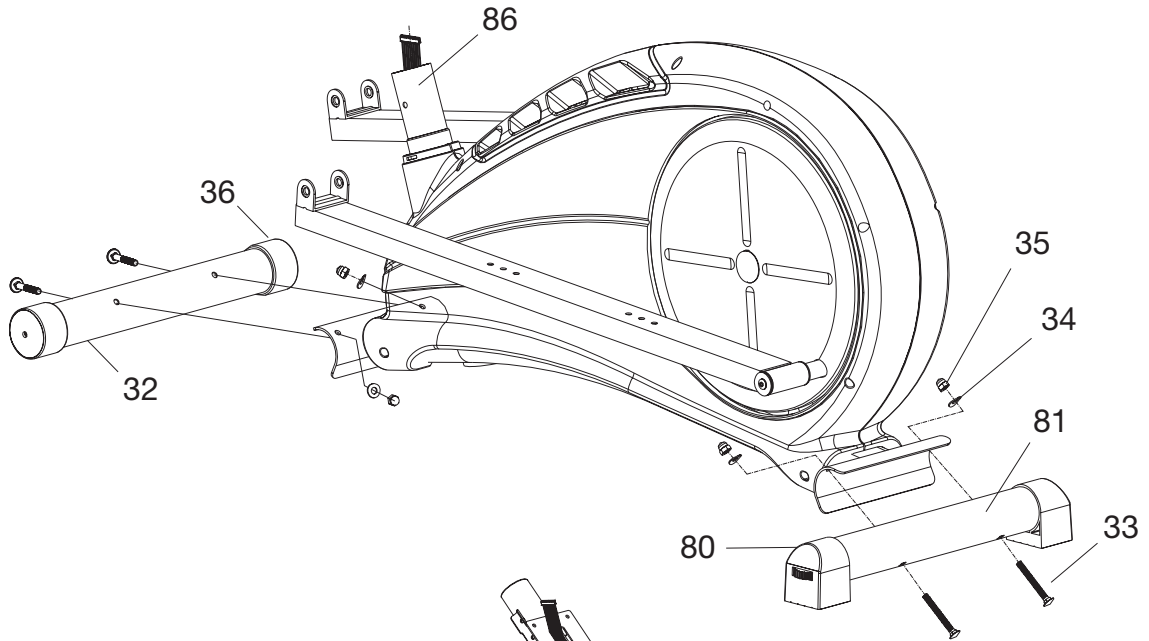
Bolt M6xP1,0x50 for pedaler		4
Sprengskive M6		4
Skive M6		4
Ratt for pedalbolt		4
Bolt M8x70		4
Kuppelmutter M8		8
Skive M8		4
Bolt M10x78		2
Kuppelmutter M10		2
Skive M10		2

3. Montering



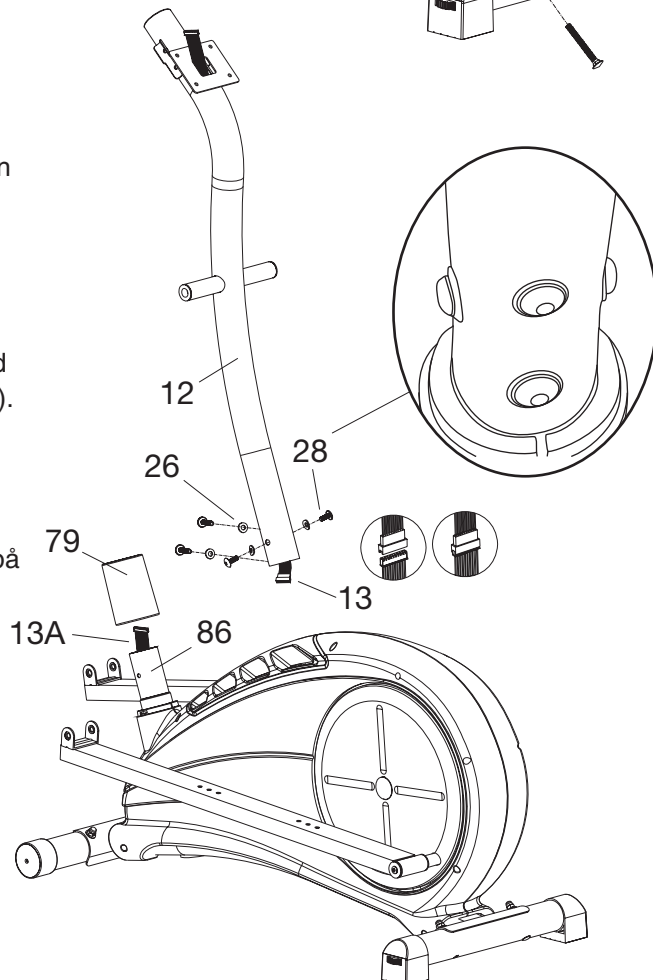
Trinn 1

1. Monter fremre (32) og bakre gulvstøtte (81) til bunnrammen med to bolter (33), skiver (34) samt kuppelmotre (35) til hver gulvstøtte.
2. Hvis underlaget er ujevnt kan den bakerste gulvstøtten (81) justeres på høyden på begge sider.
3. Det forreste gulvstøtten (32) har transporthjul. De skal vendes framover ved montering



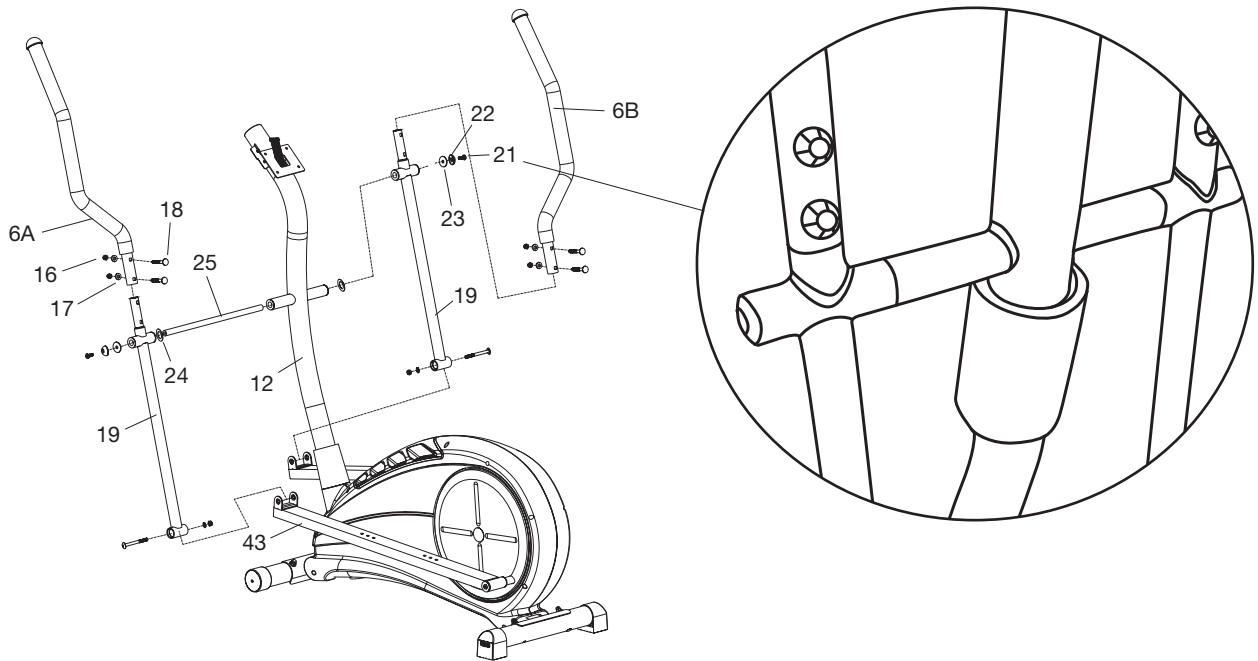
Trinn 2

1. Monter det runde plastdekselet (79) over den forreste rammen, før deretter datakabelen (13A) opp fra bunnrammen og koble den til datakabelen (13) i den forreste rammen.
2. Løsne først de forhåndsmonterte boltene. Monter deretter den forreste rammen (12) på bunnrammen (86) med fire M8x20-bolter (28) og fire skiver (26).
3. Fest det runde plastdekselet (79) et stykke opp på rammen med hjelp av en bit teip, så den ikke er i veien ved monteringen. Dra ikke til boltene (28) på dette tidspunktet.

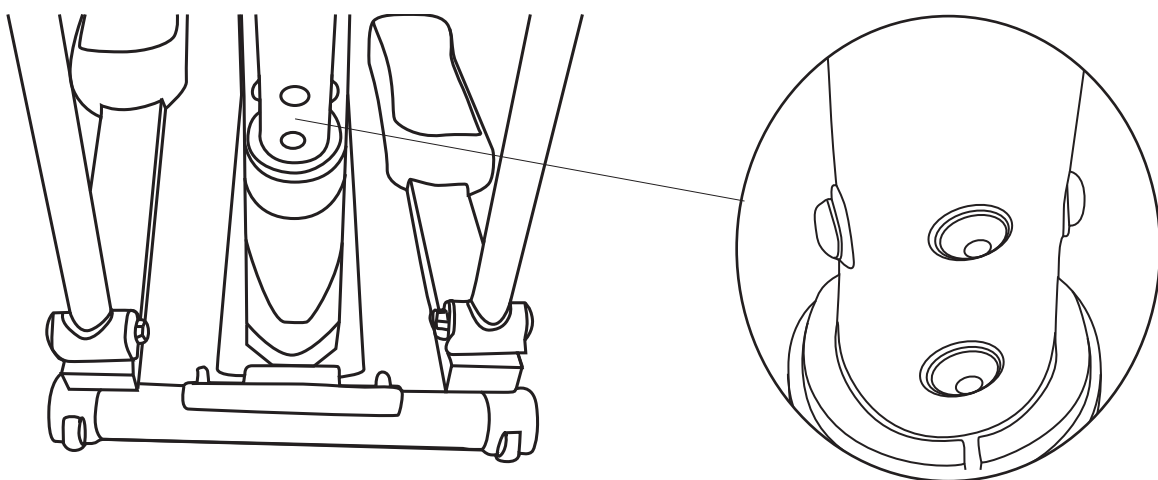


Trinn 3

1. Løsne de forhåndsmonterte skruene (21) og før deretter akselen (25) gjennom hullene i de nedre håndtaksstengene (19) og den fremre rammen (12) som vist på bildet. Husk skivene (24) mellom rammen og stengene. Fest akselen med skruene (21), aksialskivene (24), skivene (22) samt plastskivene (23).
2. Dra skruene (21) hardt til, men påse at håndtakstengene kan bevege seg lett, dog uten å glippe.



3. Monter de nedre håndtaksstengene (19) i pedalarmenes u-fester (43). Fest med boltene (42), skivene (30) og mutrene (40). Juster røret så det passer bra. Dra sammen U-festet så det ikke glipper.
4. Dra nå til skruene lengst ned i røret. Dra først til de to fremre så mye det er mulig. Fortsett deretter med de på sidene. Drar man til sideskruene først, vil det glippe ved bruk, og en ulyd vil oppstå.

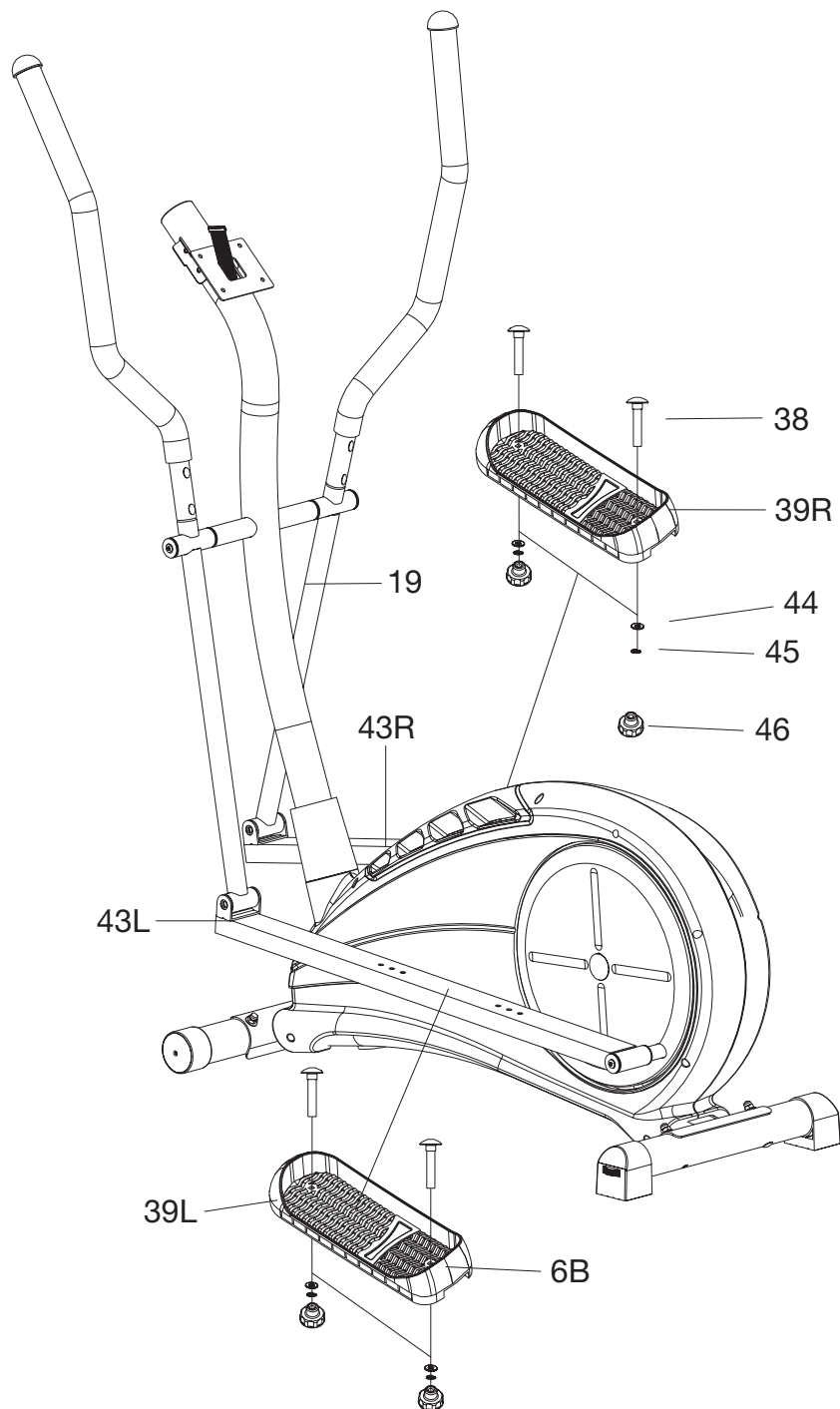


5. Løsne teipen, og monter plastdekselet (79).
6. Fest de øvre håndtakene (6A & 6B) på de nedre håndtaksstengene (19) med boltene (18), skivene (17) og kuppelmutrene (16).

Trinn 4

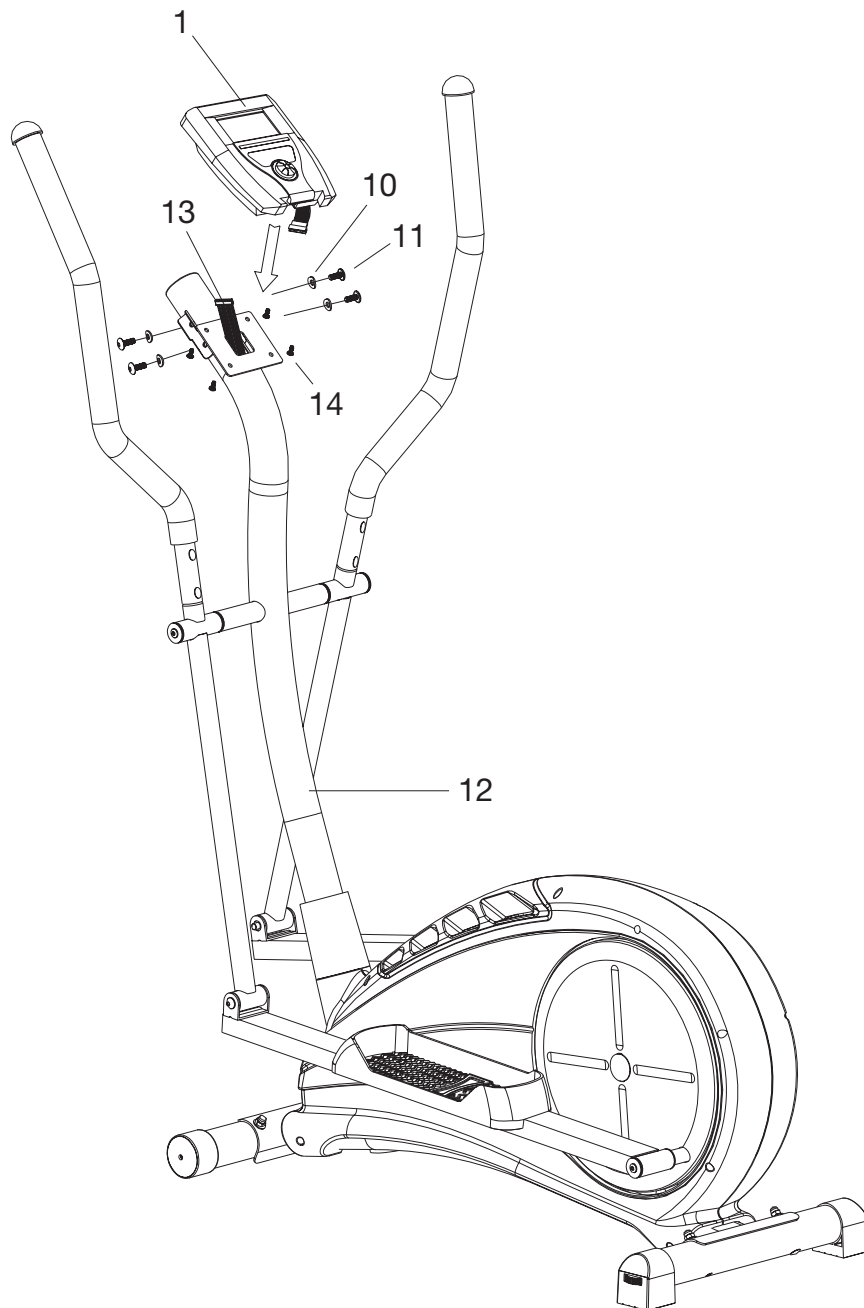
1. Monter fotplatene (39L og 39R) i de hullene på pedalarmene (43) som passer brukeren best. Prøv deg fram til den avstanden som føles best. Bruk skruene (38), skivene (44), låseskivene (45) samt rattene (46).

Obs! Begge fotplatene bør monteres med samme avstand.



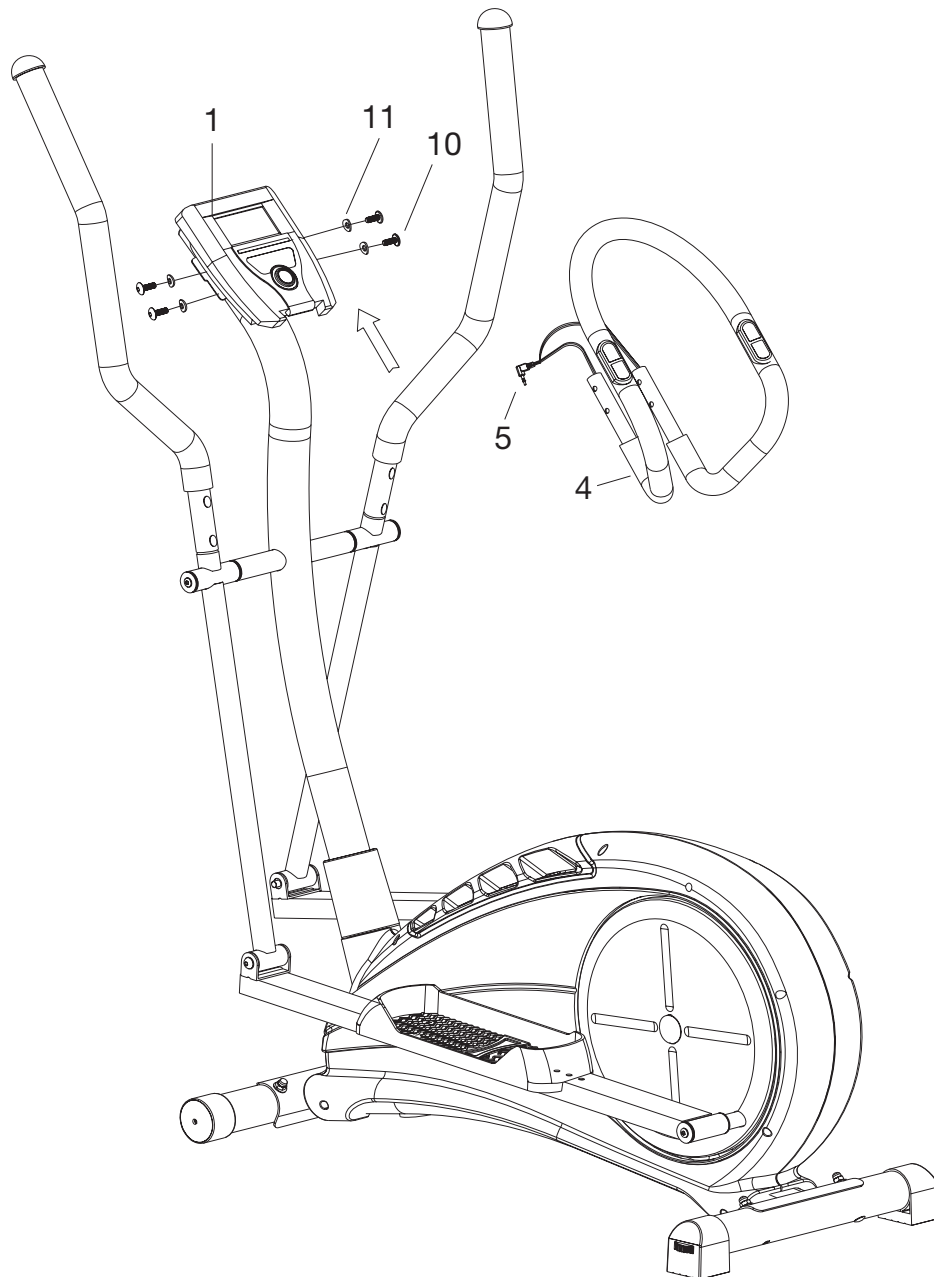
Trinn 5

1. Koble først datakabelen (13) til kontakten på computerdelens (1) bakside. Monter deretter computerdelen på holderen med de medfølgende skruene (14).



Trinn 6

1. Fest håndtaket (4) på den fremre rammen ved hjelp av de fire boltene (10) og skivene (11).
2. Koble pulskjennernes kabling (5) til tilkoblingen på computerens bakside.



4. Beskrivelse av treningscomputeren

PULSE RECOVERY

Trykk for å starte fitness-test. Resultatet graderes fra F1.0 til F6.0.

MEMORY

Lagrer resultater fra Body Fat-testen.

UP

Endre innstilling/Øk belastning.

ST/SP

Start/Stopp – Trykk for å starte eller stoppe valgt program.

ENTER

Trykk for å velge program, bekreft dine innstillinger samt velg visningsmodus (tid, hastighet, distance osv.).

DOWN

Endre innstilling/
Minske belastning.



5. Bruk

Strømforsyning

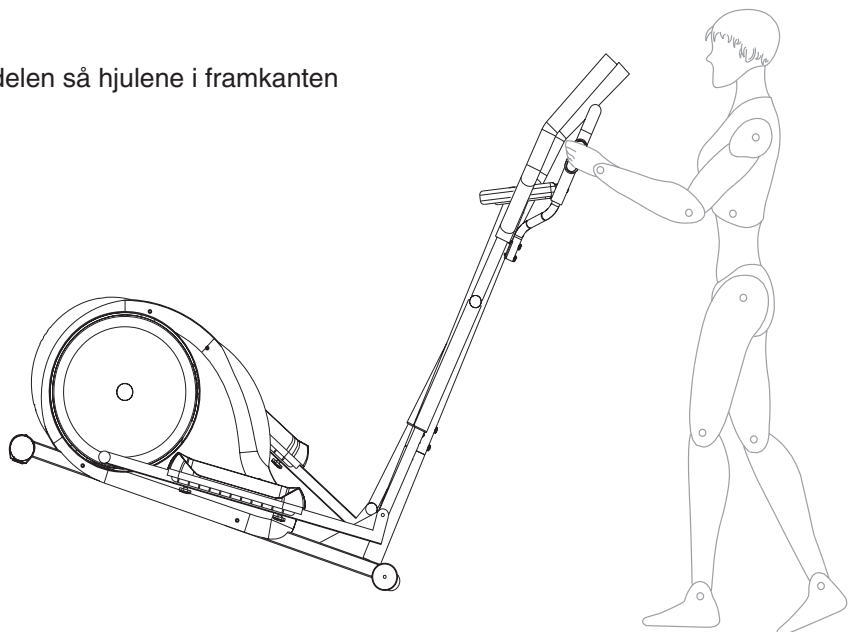
Koble DC-pluggen fra medfølgende batterieliminatør (6 V, 1000 mA, + i sentrum) til uttaket på baksiden nær den bakre gulvstøtten (81), koble batterieliminatøren til et strømuttak.

Slå på displayet

Trykk på en av knappene eller begynn å tråkke for å aktivere displayet. Under "Program" blinker sifferet 1 for **Program1 MANUAL**. Kontroller at batterieliminatøren er riktig tilkoblet hvis ikke displayet aktiveres.

Flytt treningsredskapet

Ta tak i håndtaket og løft opp bakkdelen så hjulene i framkanten kan rulle fritt.



6. Begynn å trene

6.1 Grunnleggende bruk

Aktiver displayet

Trykk på en av knappene eller begynn å tråkke for å aktivere displayet. Kontroller at batterieliminatoren er riktig tilkoblet hvis ikke displayet aktiveres.

Belasting

Belastningen følger grafene på skjermen, et høyt utslag gir høy belastning og et lavt utslag gir lavere belastning. Belastningen kan endres under treningens gang med [UP] og [DOWN].

Treningsmål

Hvert treningsprogram har forskjellige treningsmål som lar deg stille inn treningsøktens tid, distanse eller hvor mange kalorier som skal forbrennes.

Ta pause i treningen

Trykk når som helst på (ST/SP) for å ta pause i treningen. Målingen stopper og displayet fryser aktuelle verdier. Trykk en gang til på (ST/SP) for å gjenoppta treningen.

Endre funksjon under pågående trening

Trykk på (ST/SP) for å stoppe pågående program. Trykk på [UP] eller [DOWN] for å velge et annet program. Bekreft ved å trykke på [ENTER].

Tilbakestilling:

For å tilbakestille innstilte program, trykk og hold inne (ST/SP) i ca. 3 sekunder. Computeren avgir en tone og displayet viser samtlige segment en kort stund.

6.2 Velg treningsprogram

Forklaring på menyer/treningsprogram

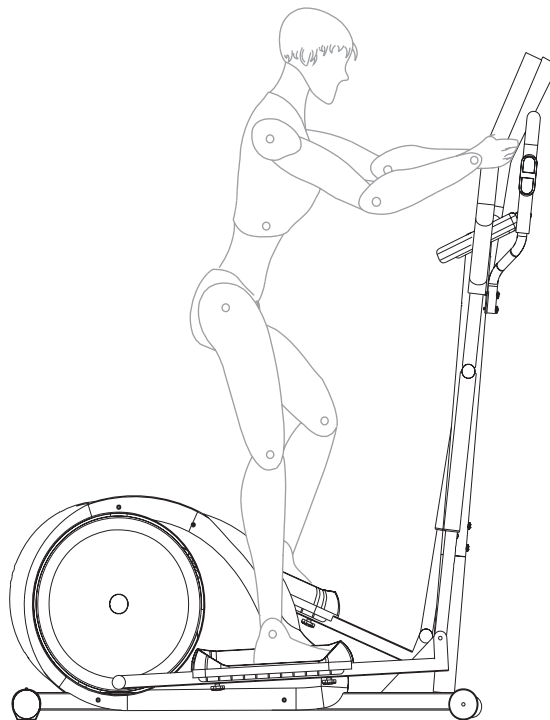
Nr.:	Program	Forklaring	Treningsmål/Innstillinger
1	Bruksanvisning	Treningsprogram med eller uten innstilte mål. Belastningen kan manuelt økes eller minskes under treningens gang.	- TIME (tid) - DISTANCE (distanse) - CALORIES (kaloriforbrenning)
2	Rolling	Forhåndsinnstilt belastning med variert motstand under treningens gang.	- TIME (tid) - DISTANCE (distanse) - CALORIES (kaloriforbrenning)
3	Valley	Forhåndsinnstilt belastning i form av en dal med oppover- og nedoverbakker.	- TIME (tid) - DISTANCE (distanse) - CALORIES (kaloriforbrenning)
4	Fat Burn	Forhåndsinnstilt belastning i form av en bakke med oppover- og nedoverbakke.	- TIME (tid) - DISTANCE (distanse) - CALORIES (kaloriforbrenning)
5	Ramp	Forhåndsinnstilt belastning med langsomt økende motstand.	- TIME (tid) - DISTANCE (distanse) - CALORIES (kaloriforbrenning)

6	Mountain	Forhåndsinnstilt belastning i form av en høyde med økende og minskende motstand under treningens gang.	<ul style="list-style-type: none"> - TIME (tid) - DISTANCE (distanse) - CALORIES (kaloriforbrenning)
7	Intervals	Forhåndsinnstilt belastning med hurtig varierende motstand.	<ul style="list-style-type: none"> - TIME (tid) - DISTANCE (distanse) - CALORIES (kaloriforbrenning)
8	Watt Control	Lar deg selv velge belastningen. Konstant belastning, noe som betyr samme motstand uavhengig av hastighet. Belastningen er justerbar, men er forhåndsinnstilt til 100 W.	<ul style="list-style-type: none"> - TIME (tid) - DISTANCE (distanse) - CALORIES (kaloriforbrenning) - WATT (effekt)
9	55 % H.R.C.	Pulsstyrt program. Trening til du oppnår 55 % av din makspuls.	<ul style="list-style-type: none"> - TIME (tid) - DISTANCE (distanse) - CALORIES (kaloriforbrenning) - AGE (alder) - TARGET H.R (målpuls)
10	75 % H.R.C.	Pulsstyrt program. Trening til du oppnår 75 % av din makspuls.	<ul style="list-style-type: none"> - TIME (tid) - DISTANCE (distanse) - CALORIES (kaloriforbrenning) - AGE (alder) - TARGET H.R (målpuls)
11	90 % H.R.C.	Pulsstyrt program. Trening til du oppnår 90 % av din makspuls.	<ul style="list-style-type: none"> - TIME (tid) - DISTANCE (distanse) - CALORIES (kaloriforbrenning) - AGE (alder) - TARGET H.R (målpuls)
12	Target H.R	Pulsstyrt program. Trening til du oppnår innstilt målpuls.	<ul style="list-style-type: none"> - TIME (tid) - DISTANCE (distanse) - CALORIES (kaloriforbrenning) - TARGET H.R (målpuls)
13	Users Profile	Lar deg selv gjøre et variert program ved å stille inn belastningen for hver kolonne for seg.	<ul style="list-style-type: none"> - TIME (tid) - DISTANCE (distanse) - CALORIES (kaloriforbrenning) - COLUMN 1-10 (kolonne 1 til 10)
14	Body Test	Presenterer resultatet i FAT %, BMR, BMI samt BODY TYPE (se tabell).	<ul style="list-style-type: none"> - HEIGHT (lengde) - WEIGHT (vekt) - AGE (alder) - SEX (kjønn)
15	User Data	Angir dine personlige innstillinger.	<ul style="list-style-type: none"> - NAME (navn): Maks. 8 bokstaver - HEIGHT (lengde) - WEIGHT (vekt) - AGE (alder) - SEX (kjønn)

Start treningen uten treningsmål

Bruk denne treningsmetoden dersom du vil trene uten å stille inn noen treningsmål.

1. Trykk på [UP] eller [DOWN] for å stille inn ønsket treningsprogram (se tabell).
2. Trykk [ST/SP] for å starte treningen uten å stille inn noen treningsmål.
3. Du kan nå begynne treningen. Stell deg på crosstraineren som vist på bildet.



Still inn dine personlige innstillinger

1. Velg program 15 (User Data) med knappene [UP] eller [DOWN], bekreft med [ENTER].
2. Endre innstilling med [UP] eller [DOWN] og trykk [ENTER] for å gå til neste innstilling.
3. Repeter til du har foretatt alle innstillinger.

Start treningen og still inn treningsmål

1. Trykk på [UP] eller [DOWN] for å stille inn ønsket treningsprogram (se tabell). Trykk på [ENTER] for å bekrefte.
2. Trykk en eller flere ganger på [PROG] for å velge treningsmål/innstilling.
3. Endre innstilling med [UP] eller [DOWN] og trykk [ENTER] for å gå til neste innstilling.
4. Repeter til du har foretatt alle innstillinger.
5. Når du har foretatt dine innstillinger trykker du [ST/SP] for å starte treningen.
6. Du kan nå begynne treningen. Stell deg på crosstraineren som vist på bildet.

Eksempel:

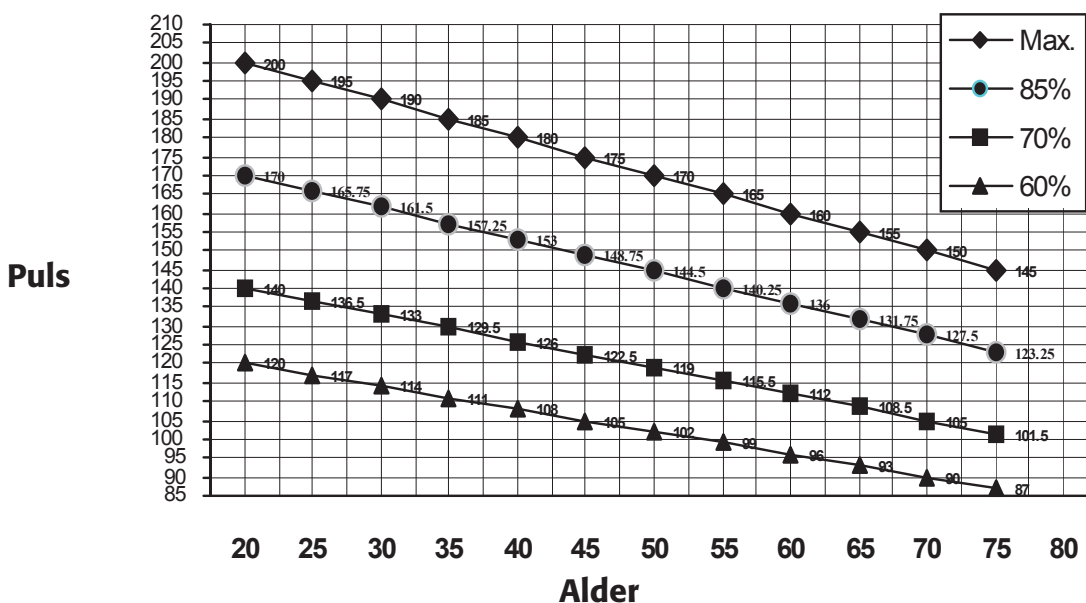
Intervalltrening i 15 minutter:

1. Velg program 7 (Intervals) med [UP] eller [DOWN].
2. Trykk [ENTER] for å bekrefte, "TIME" vises i displayet.
3. Still inn tiden 15 minutter med knappene [UP] eller [DOWN].
4. Trykk [ST/SP] for å starte treningen, nedtellingen vises i displayet.
5. Et signal lyder i noen sekunder når målet er nådd, f.eks. tiden har telt ned til "0".

6.3 Pulsavlesning

- Plasser begge hendene mot pulssensorene på styret. Hold i begge pulssensorene for å få så nøyaktig avlesning som mulig. Etter en stund vises din aktuelle puls.
- Når teksten "HOLD SENSOR" vises i displayet under et treningsprogram plasserer du begge hendene mot pulssensorene.
- Pulsen avleses magnetisk, det finnes en automatisk justering av den avleste pulsen sammenlignet med den faktiske pulsen.
- Dersom pulsen ligger under innstilt måleverdi økes belastningen. Dersom pulsen ligger over innstilt måleverdi minskes belastningen.
- Dersom belastningen har minsket til laveste mulige verdi og pulsen fortsatt ligger over innstilt måleverdi begynner displayet å blinke for å advare deg om at det er på tide å roe ned.

Obs! Dette programmet kan kun brukes hvis computeren kan lese av pulsen uten avbrudd.



6.4 Måling av kroppsfett – Body test (program 14)

1. Start program 14 (Body test).
2. Når teksten "HOLD SENSOR" vises, plasserer du begge hendene mot pulssensorene på styret. Hold i begge pulssensorene for å få så nøyaktig avlesning som mulig. Dersom computeren ikke registrerer noen pulsmåling, vises etter en stund teksten "ERROR" i displayet.
3. Resultatet presenteres i FAT %, BMR, BMI samt BODY TYPE. Trykk [Enter] for å velge det nummeret du vil redigere.

Tabell FAT%

1	5 % - 14 %
2	15 % - 24 %
3	25 % - 29 %
4	30 % - 39 %
5	40 % - 50 %

Obs!

- Resultatene som presenteres av computeren skal kun brukes i forbindelse med trening, og ikke til medisinsk bruk!

6.5 Fitness-test (Pulse Recovery)

Testen er personlig og brukes for å måle ditt pulsnivå etter avsluttet treningsøkt.

1. Etter treningsøkten, trykk en gang på [PULSE RECOVERY].
2. Hold begge hendene på pulssensorene og start tråkkingen .
3. Tiden telles ned fra 60 sekunder til null.
4. Ved avsluttet test. Viser resultatet i displayet:

F1,0	Utmerket
F2,0	Bra
F3,0	Gjennomsnittelig
F4,0	Under gjennomsnittet
F5,0	Dårlig
F6,0	Svært dårlig

7. Treningsinstruksjoner

Mange ulike faktorer må tas med i beregningen når du legger opp ditt treningsprogram. Har du vært fysisk inaktiv over en lang periode eller lider du av en sykdom som kan forverres ved fysisk trening, bør du rådføre deg med en lege før du legger opp treningsprogrammet.

Intensitet

- For å oppnå best mulig resultat, må riktig intensitet velges. Dette baseres på din puls. Denne formelen brukes ofte for å regne ut din maks. puls:
Maks. puls = 220 – Din alder
- Under trening bør arbeidspulsen være mellom 60 % og 85 % av din maks. puls (Se pulsdigrammet).
- De første ukene som du trener bør din arbeidspuls ligge på 60 % av din maks. puls.
- Når du har forbedret dine verdier og har trent i noen uker, kan du langsomt la arbeidspulsen øke opp mot 85 % av din maks. puls.

Fettforbrenning

Kroppen begynner å forbrenne fett ved 60 % av din maks. puls. Optimal fettforbrenning får du ved 60 til 70 % av din maks. puls. Best treningsresultat får du normalt om du har 3 treningsøkter på 30 minutter per uke.

Eksempel:

Du er 52 år gammel og skal begynne å trene og forbrenne fett.

Maks. puls blir $220 - 52 = 168$ pulsslag/minutt i følge formelen.

Laveste arbeidspuls = $168 \times 0,6 = 101$ pulsslag/minutt.

Høyeste arbeidspuls = $168 \times 0,7 = 117$ pulsslag/minutt.

Arbeidspuls mellom 101 og 117 under trening gir således best fettforbrenning i dette eksemplet i følge formelen!

Treningstips!

Oppvarming

Varm opp 5 til 10 minutter før du begynner treningsøkten f.eks. med tøyning eller gange med lav belastning.

Treningsmengde

Arbeidspuls mellom 60 til 85 % av din maks. puls er passelig under trening, treningsøktens lengde kan tilpasses etter denne lathund:

Daglig trening = ca. 10 minutter ved hver treningsøkt.

Trening 2-3 ganger/uke = ca. 20 minutter ved hver treningsøkt.

Trening 1-2 ganger/uke = ca. 60 minutter ved hver treningsøkt.

Etter treningsøkten

La musklene kjøles ned etter treningen, dra ned på takt og belastning de siste minuttene, bruk også en stund etter treningsøkten til å tøye musklene for å forebygge stølhet i musklene.

Veien til framgang

- Treningen vil gi resultater etter ganske kort tid, så din arbeidspuls senkes under arbeidsøkten.
- Prøv å gjøre dine treningsøkter regelmessig, det er lettere å holde ut hvis treningen skjer på samme tidspunkt på dagen.
- Start treningen forsiktig, øk deretter treningsmengden når du blir mer veltrenet.
- Lykke til med en sunnere livsstil!

8. Avfallshåndtering

Når du skal kvitte deg med produktet, skal dette skje i henhold til lokale forskrifter. Er du usikker på hvordan du går fram, ta kontakt med lokale myndigheter.

9. Spesifikasjoner

Spenning: 6 V DC, 1 000 mA via batterieliminatør 230 V AC, 50 Hz

Mål:

Høyde: 1 600 mm

Lengde: 1 340 mm

Bredde: 590 mm

Svinghjul: Vekt 8 kg/stk.

Cross Trainer

Tuotenumero 34-7508, malli ER-6472C

Lue käyttöohjeet ennen tuotteen käyttöönottoa. Säilytä käyttöohjeet tulevaa tarvetta varten.

Pidätämme oikeuden teknisten tietojen muutoksiin. Emme vastaa mahdollisista teksti- tai kuvavirheistä.

Jos laitteeseen tulee teknisiä ongelmia, ota yhteys myymälään tai asiakaspalveluun (yhteystiedot käyttöohjeen lopussa).

Sisällysluettelo

1. Turvallisuus	52
2. Pakkauksen sisältö	53
3. Asennus	54
4. Tietokoneen kuvaus	60
5. Käyttö	60
6. Harjoittelun aloittaminen	61
7. Harjoitusohjeet	64
9. Kierrätys	66
10. Tekniset tiedot	66

1. Turvallisuus

Tuote on testattu seuraavien turvallisuusstandardien mukaisesti: EN975-1+A1 ja EN975-5/HC.

Varoitus: Jos sinulla on jokin sairaus tai vaiva, jota fyysinen harjoittelu voi pahentaa, keskustele lääkärin kanssa ennen harjoittelun aloittamista. Keskeytä harjoittelu välittömästi, jos sinua rupeaa huimaamaan.

Varmista, että kaikki pultit, mutterit ja muut osat ovat paikoillaan ja kireällä.

Aseta laite sellaiseen paikkaan, että sen ympärillä on joka puolella tilaa vähintään yhden metrin verran.

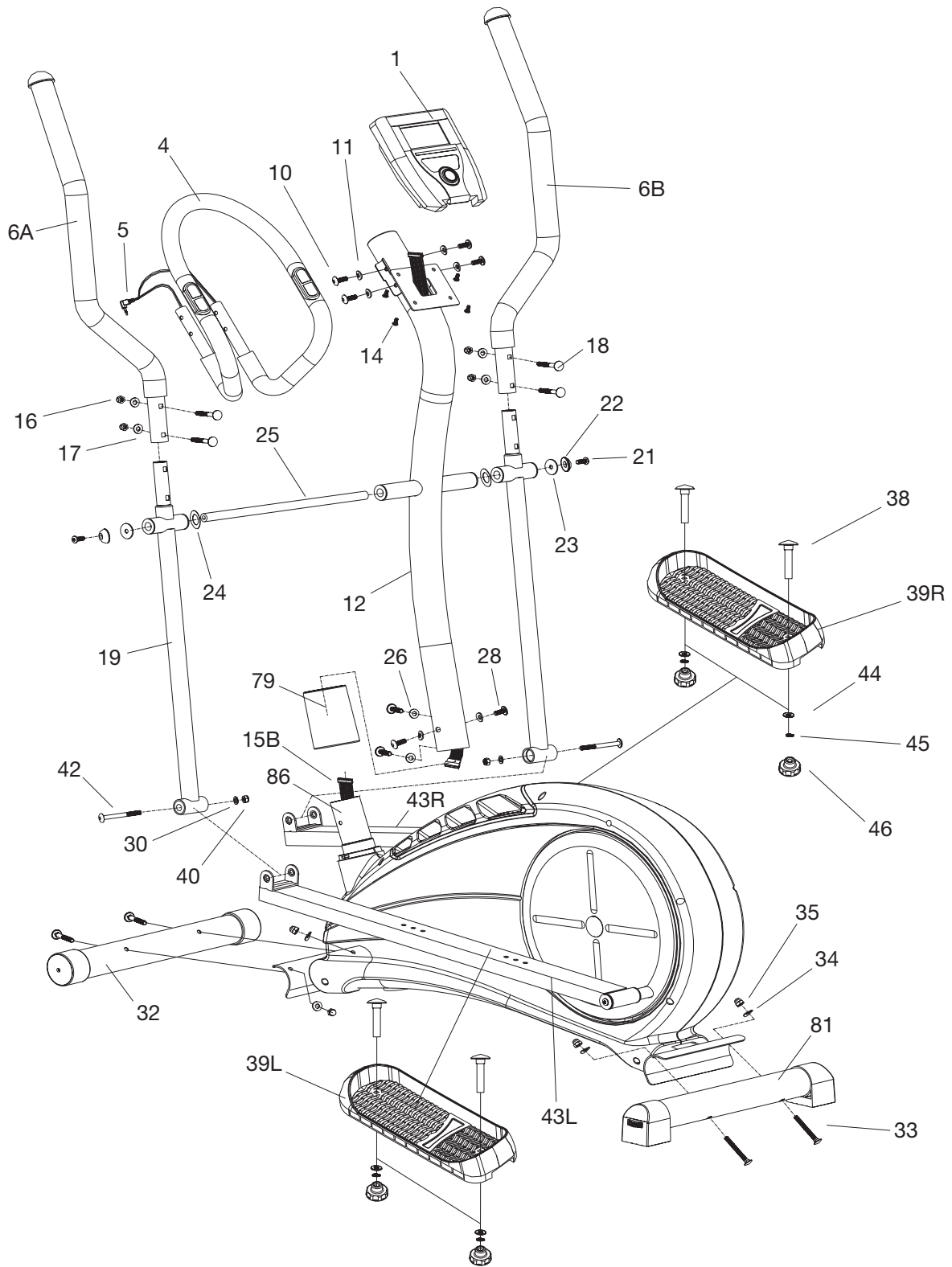
Lue koko käyttöohje huolellisesti ennen laitteen käyttöönottoa. Säilytä ohjeet tulevaa tarvetta varten.

- Cross Trainer -laite on suunniteltu henkilökohtaiseen kotikäyttöön ja se kestää jopa 120 kg:n painon.
- Seuraa asennusohjeita huolellisesti asentaessasi laitetta.
- Käytä ainoastaan pakkauksen mukana tulleita osia ja varusteita.
- Varmista ennen asentamisen aloittamista, että pakkaus sisältää kaikki tarvittavat osat. (Ks. ”Pakkauksen sisältö”).
- Käytä asentamiseen sopivia työkaluja ja pyydä tarvittaessa jotakuta toista pitelemään laitetta paikoillaan.
- Sijoita laite kuivaan paikkaan tasaiselle ja liukumattomalle alustalle. Älä käytä tai säilytä laitetta ulkona tai kosteissa tiloissa.
- Varmista ennen ensimmäistä käyttökertaa ja sen jälkeen noin runsaan kuukauden välein, että kaikki pultit, mutterit ja muut osat ovat kunnolla paikoillaan ja vahingoittumattomia. Vaihda kuluneet osat välittömästi uusiin äläkä käytä laitetta ennen kuin tämä on tehty.
- Älä käytä puhdistukseen voimakkaita puhdistusaineita tai liuottimia.
- Cross Trainer -laite soveltuu aikuisille. Lapset saavat käyttää laitetta ainoastaan aikuisen valvonnassa.
- Laitetta käyttävän tulee olla tietoinen käyttöön liittyvistä mahdollisista vaaroista. Esim. vaatteet voivat tarttua pyörän liikkuviin osiin käytön aikana.
- Suosittelemme, että keskustele ennen käytön aloittamista lääkärin tai lääkintävoimistelijan kanssa. He voivat neuvoa sinua oikeaan vastukseen ja harjoittelumetodeihin liittyvissä asioissa.
Varoitus! Virheellinen ja liiallinen harjoittelu voi aiheuttaa vammoja.
- Noudata käyttöohjeen harjoitteluohjeita.
- Harjoittelukuormitusta voidaan säätää tietokoneella.

2. Pakkauksen sisältö

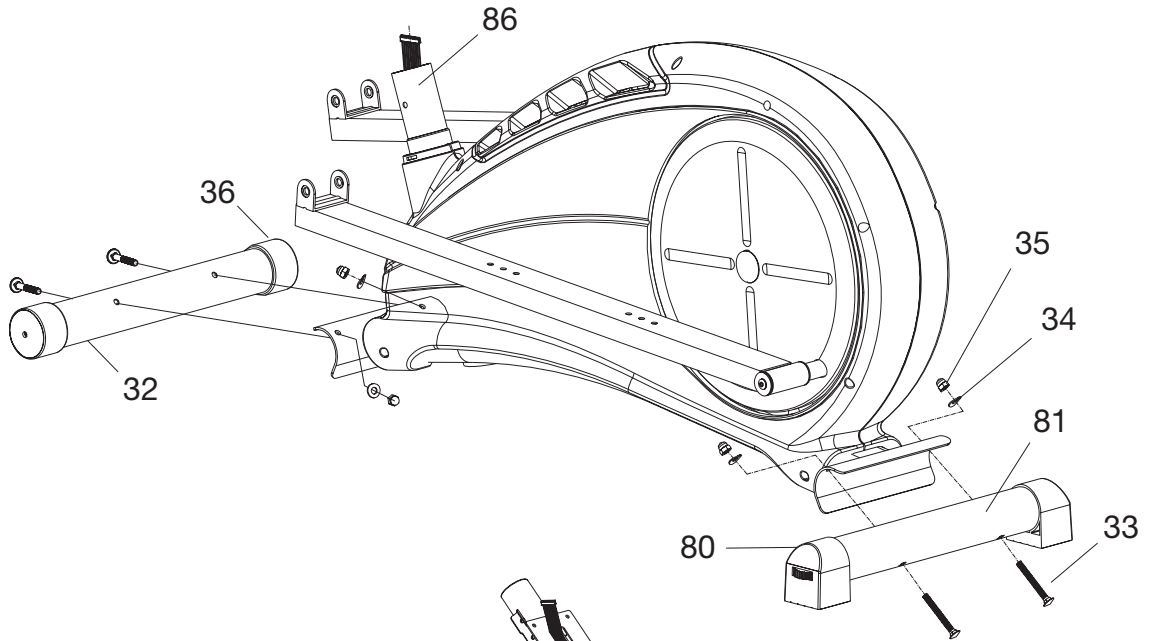
<table border="1"> <tr> <td>Pultti M8x40</td> <td></td> <td>4</td> </tr> <tr> <td>Aksiaalialuslevy M8</td> <td></td> <td>4</td> </tr> <tr> <td>Kuusiokolopultti M8x35</td> <td></td> <td>4</td> </tr> <tr> <td>Aluslaatta M8</td> <td></td> <td>4</td> </tr> </table>		Pultti M8x40		4	Aksiaalialuslevy M8		4	Kuusiokolopultti M8x35		4	Aluslaatta M8		4	<table border="1"> <tr> <td>Pultti M6xP1,0x50, polkimille</td> <td></td> <td>4</td> </tr> <tr> <td>Jousialuslevy M6</td> <td></td> <td>4</td> </tr> <tr> <td>Aluslaatta M6</td> <td></td> <td>4</td> </tr> <tr> <td>Poljinpultin nuppi</td> <td></td> <td>4</td> </tr> <tr> <td>Pultti M8x70</td> <td></td> <td>4</td> </tr> <tr> <td>Kupumutteri M8</td> <td></td> <td>8</td> </tr> <tr> <td>Aluslaatta M8</td> <td></td> <td>4</td> </tr> <tr> <td>Pultti M10x78</td> <td></td> <td>2</td> </tr> <tr> <td>Hattumutteri M10</td> <td></td> <td>2</td> </tr> <tr> <td>Aluslaatta M10</td> <td></td> <td>2</td> </tr> </table>		Pultti M6xP1,0x50, polkimille		4	Jousialuslevy M6		4	Aluslaatta M6		4	Poljinpultin nuppi		4	Pultti M8x70		4	Kupumutteri M8		8	Aluslaatta M8		4	Pultti M10x78		2	Hattumutteri M10		2	Aluslaatta M10		2	<table border="1"> <tr> <td></td> <td>Kuusiokoloavain</td> </tr> <tr> <td></td> <td>Kuusiokoloavain</td> </tr> <tr> <td></td> <td>Ristipäätaltta</td> </tr> </table>			Kuusiokoloavain		Kuusiokoloavain		Ristipäätaltta
Pultti M8x40		4																																																			
Aksiaalialuslevy M8		4																																																			
Kuusiokolopultti M8x35		4																																																			
Aluslaatta M8		4																																																			
Pultti M6xP1,0x50, polkimille		4																																																			
Jousialuslevy M6		4																																																			
Aluslaatta M6		4																																																			
Poljinpultin nuppi		4																																																			
Pultti M8x70		4																																																			
Kupumutteri M8		8																																																			
Aluslaatta M8		4																																																			
Pultti M10x78		2																																																			
Hattumutteri M10		2																																																			
Aluslaatta M10		2																																																			
	Kuusiokoloavain																																																				
	Kuusiokoloavain																																																				
	Ristipäätaltta																																																				

3. Asennus



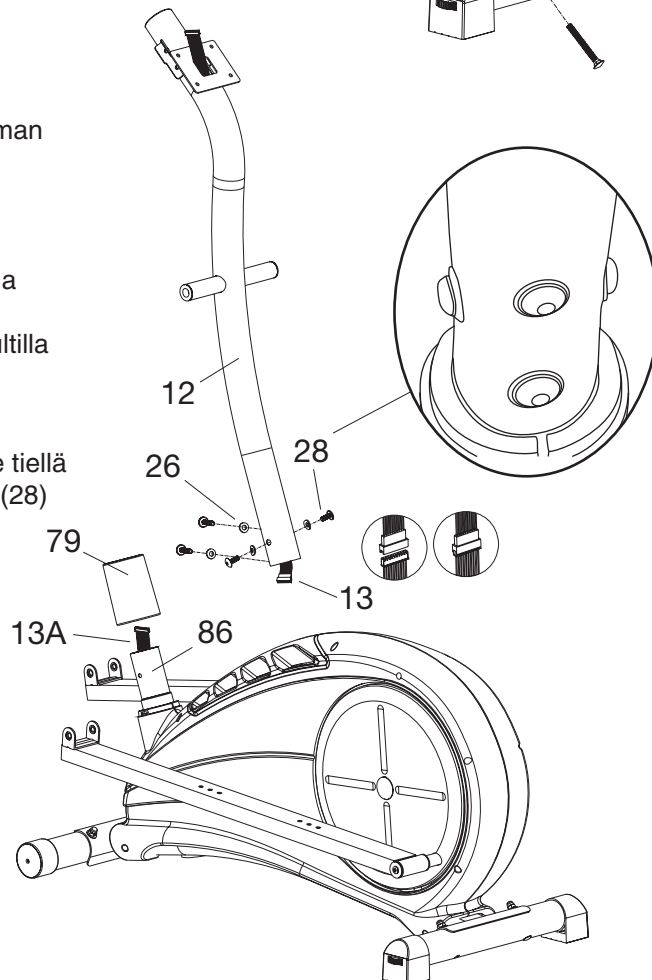
1. askel

1. Asenna etummainen (32) ja taaempi lattiatuki (81) pohjakehykseen kahdella pultilla (33), aluslevyillä (34) sekä kupumuttereilla (35) kuhunkin lattiatukeen.
2. Jos lattia on epätasainen, on taaemmassa lattiatuessa (81) kummallakin puolella erillinen korkeuden säädin.
3. Etummaisessa lattiatuessa (32) on kuljetuspyörät, jotka tulee kääntää eteenpäin asennuksen ajaksi.



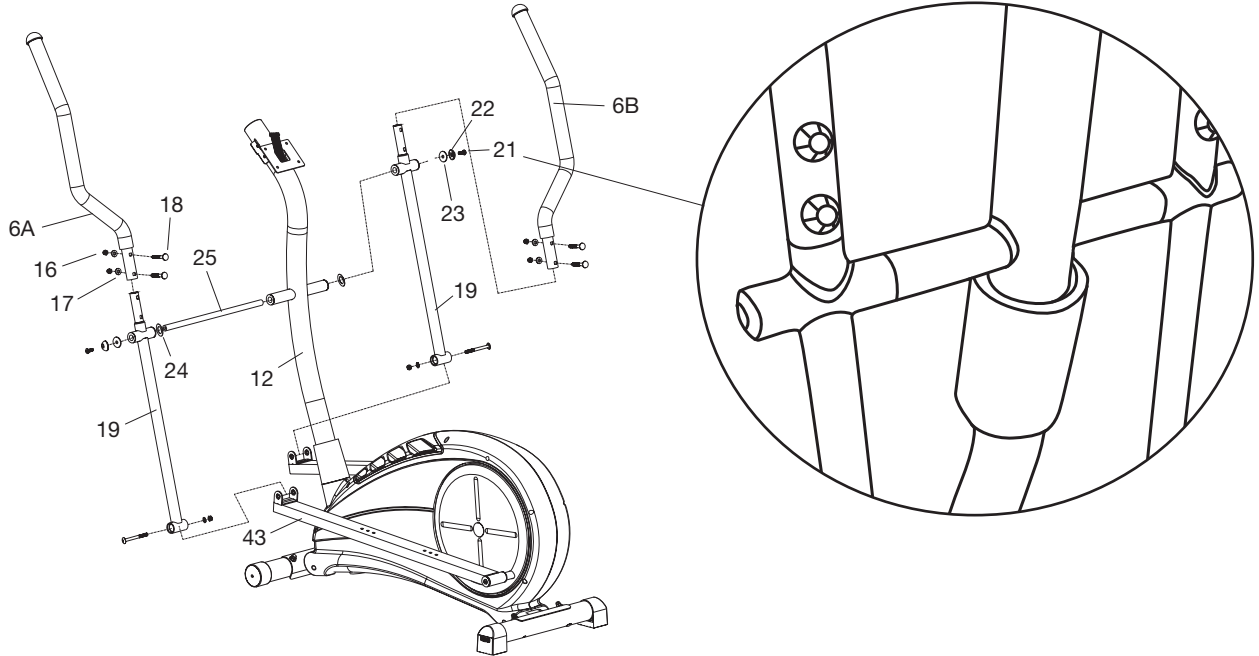
2. askel

1. Asenna pyöreä muovikupu (79) taaemman kehyksen päälle ja laita tietokonejohto (13A) pohjakehyksestä etukehyksen tietokonejohtoon (13).
2. Avaa ensin esiasennetut pultit ja asenna sen jälkeen etummainen kehys (12) pohjakehykseen (86) neljällä M8x20-pultilla (28) ja neljällä aluslaatalla (26).
3. Kiinnitä pyöreä muovikupu (79) hieman ylemmäs runkoon teipillä, jotta se ei ole tiellä asennuksen aikana. Älä kiristä pultteja (28) vielä tässä vaiheessa.

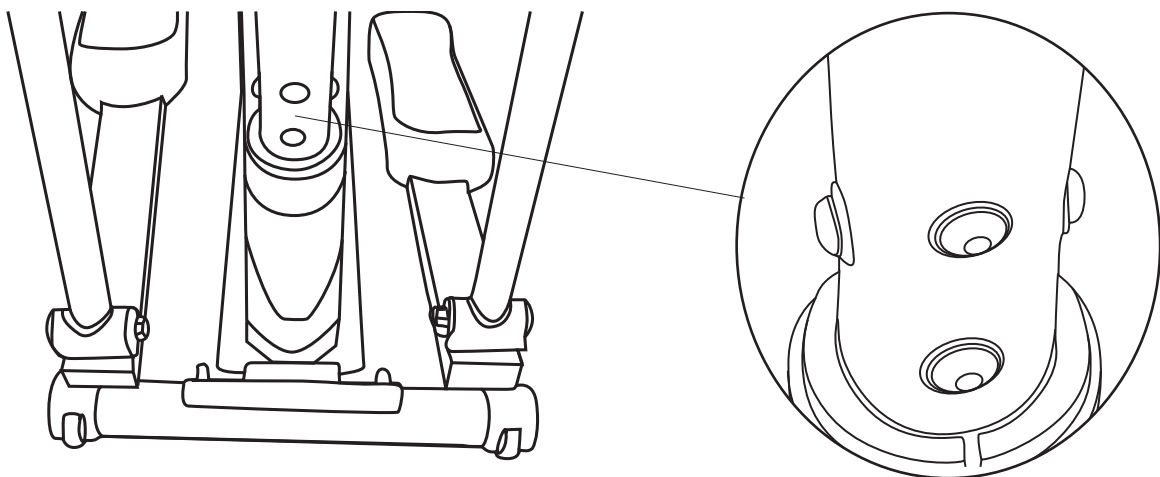


3. askel

1. Avaa esiasennetut ruuvit (21) ja vie akseli (25) alempien kahvatankojen (19) reikien ja etummaisena kehyksen (12) läpi kuvan osoittamalla tavalla. Muista laittaa aluslaatat (24) kehyksen ja tankojen välille. Kiinnitä akseli ruuveilla (21), aksiaalialuslaatoilla (24), aluslaatoilla (22) sekä muovialuslaatoilla (23).
2. Kiristä ruuvit (21) tiukalle, mutta varmista, että kahvatangot pääsevät liikkumaan kevyesti, mutta ilman vällystä.



3. Asenna alemmat kahvatangot (19) poljinvarsiin U-kiinnikkeisiin (43). Kiinnitä pulteilla (42), aluslaatoilla (30) ja muttereilla (40). Säädä putki, jotta se sopii hyvin. Tiukenna U-kiinnike, jotta siinä ei ole vällystä.
4. Kiristä nyt putken alimmat ruuvit. Kiristä ensin kaksi edessä olevaa ruuvia tiukalle ja sen jälkeen sivuilla olevat ruuvit. Mikäli sivuruuvit kiristetään ensin, crosstrainerin käytön aikana ilmenee vällystä ja kuuluu ääntä.

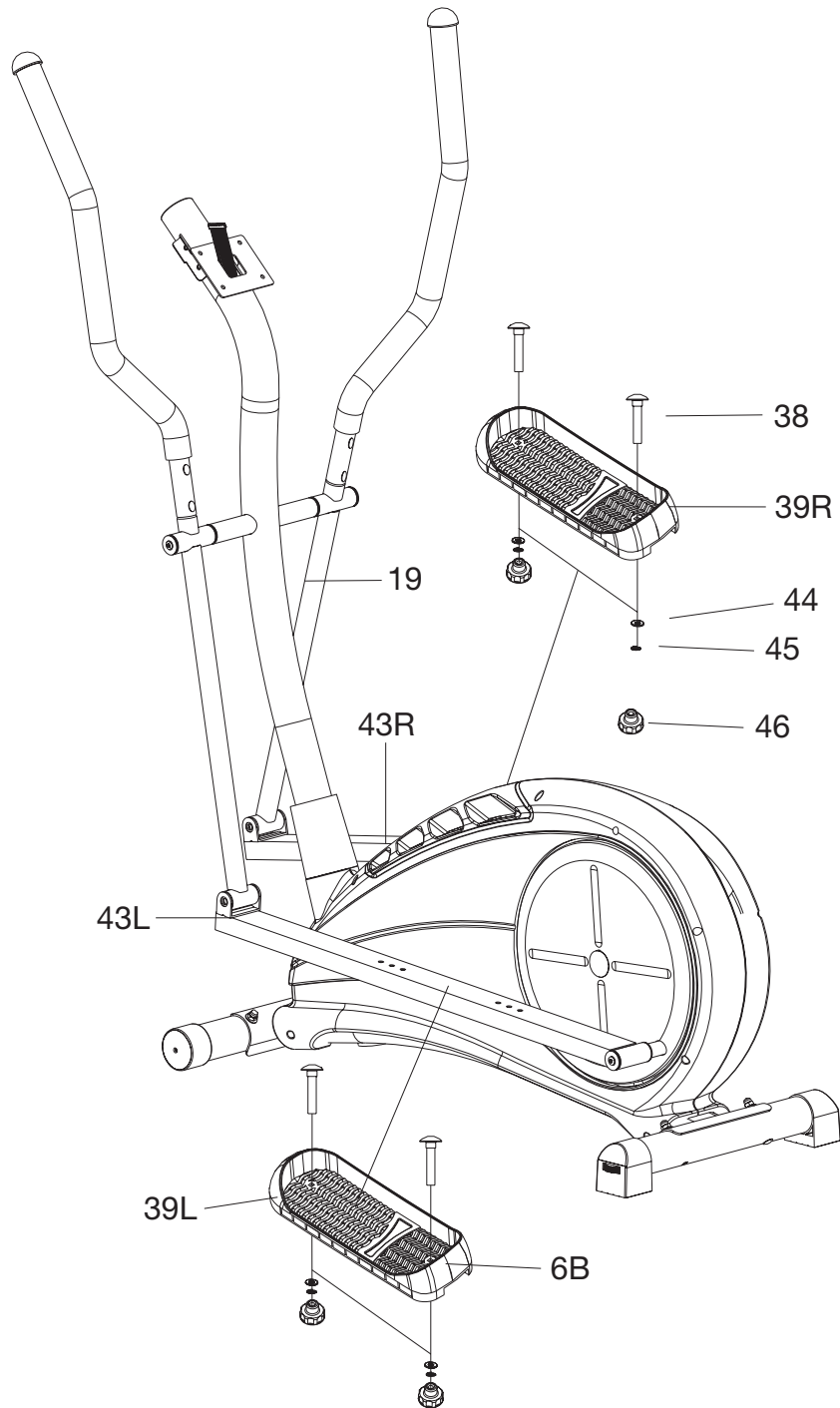


5. Irrota teippi ja asenna muovikupu (79).
3. Kiinnitä ylemmät kahvat (6A ja 6B) alempiin kahvatankoihin (19) pulteilla (18), aluslaatoilla (17) ja kupumuttereilla (16).

4. askel

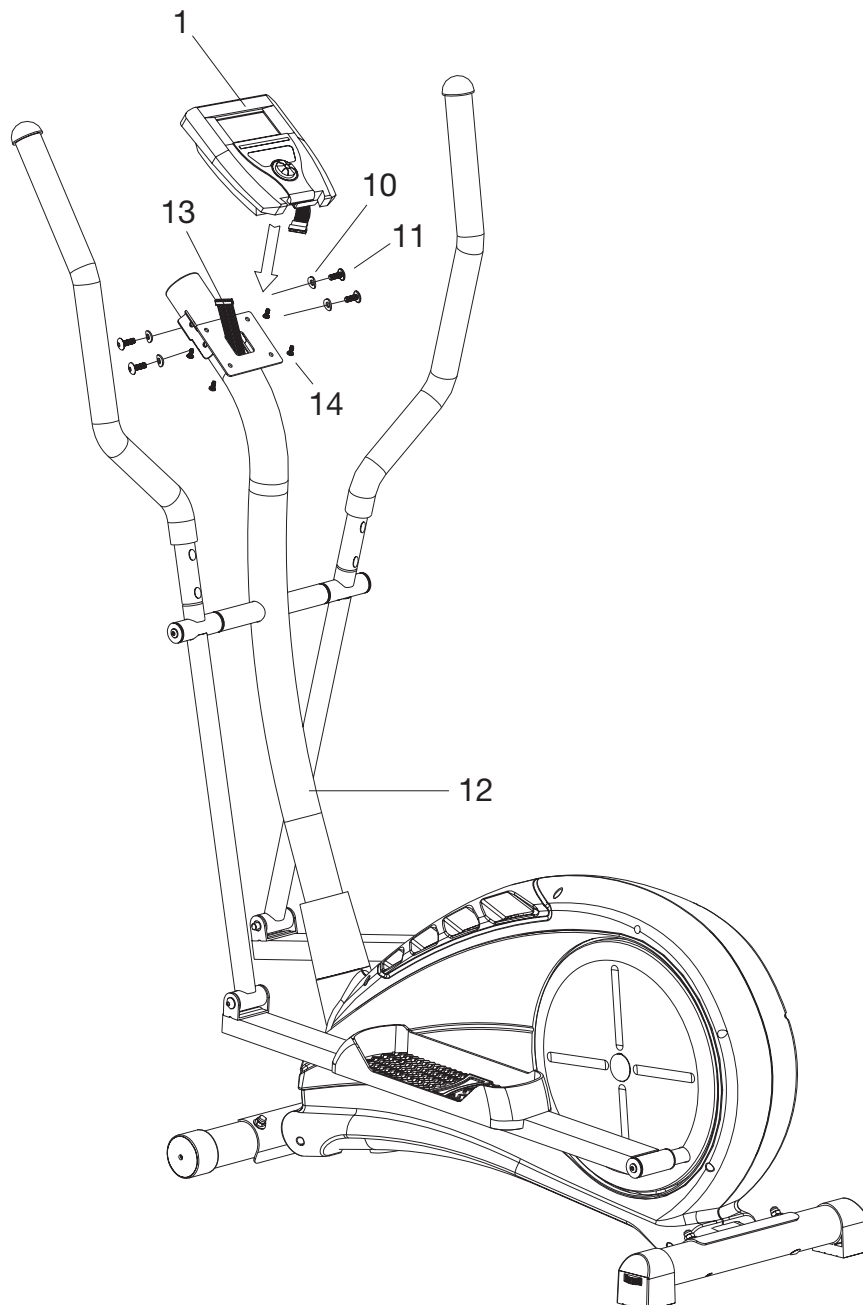
1. Asenna jalkalevyt (39L ja 39R) poljinvarsien (43) reikiin (valitse itse sinulle parhaiten sopivat). Kokeile, mikä etäisyys tuntuu parhaalta. Kiinnitä ruuveilla (38), aluslaatoilla (44), lukkoaluslaatoilla (45) sekä nupeilla (46).

Huom.! Molemmat jalkalevyt tulee asentaa samalle etäisyydelle.



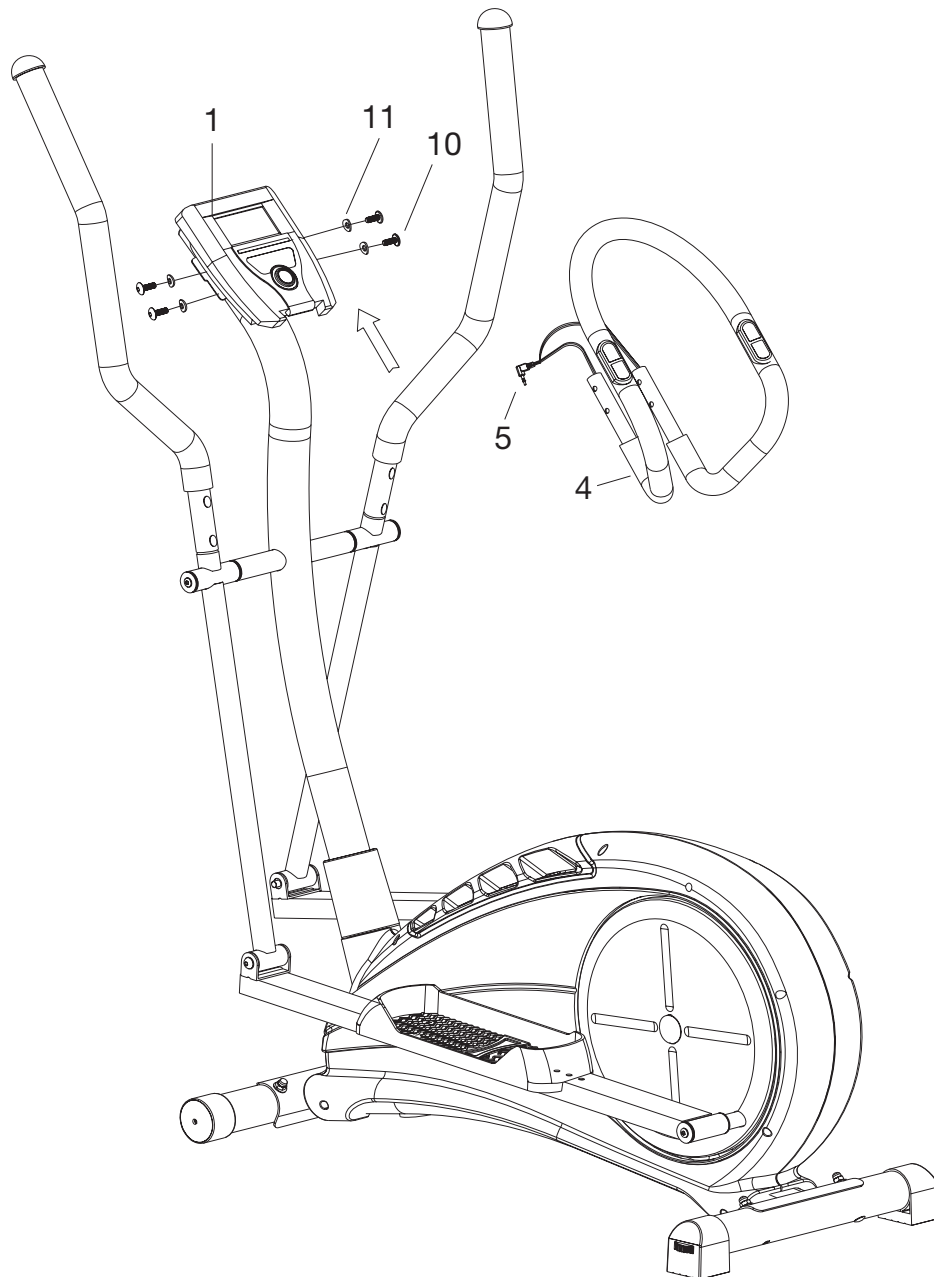
5. askel

1. Liitä ensin tietokonejohto (13) tietokoneen (1) takana olevaan kontaktiin. Asenna sen jälkeen tietokoneosa pidikkeeseen mukana tulevilla ruuveilla (14).



6. askel

1. Kiinnitä kahva (4) etummaiseen kehykseen neljän pultin (10) ja aluslaatan avulla (11).
2. Liitä sykeantureiden johdot (5) tietokoneen takana olevaan liitäntään.



4. Harjoittelutietokoneen kuvaus

PULSE RECOVERY

Paina aloittaaksesi fitness-testin.
Tulosasteikko: F1.0 – F6.0.

MEMORY

Tallentaa Body Fat –testin tuloksen.

UP

Muuta asetusta/
Lisää kuormitusta



ST/SP

Käynnistys/Pysäytys
Käynnistää ja pysäyttää valitun ohjelman.

ENTER

Paina valitaksesi ohjelman, vahvistaaksesi asetukset sekä valitaksesi näyttötilan (aika, nopeus, välimatka jne.).

DOWN

Muuta asetusta/
Vähennä kuormitusta

5. Käyttö

Virtalähde

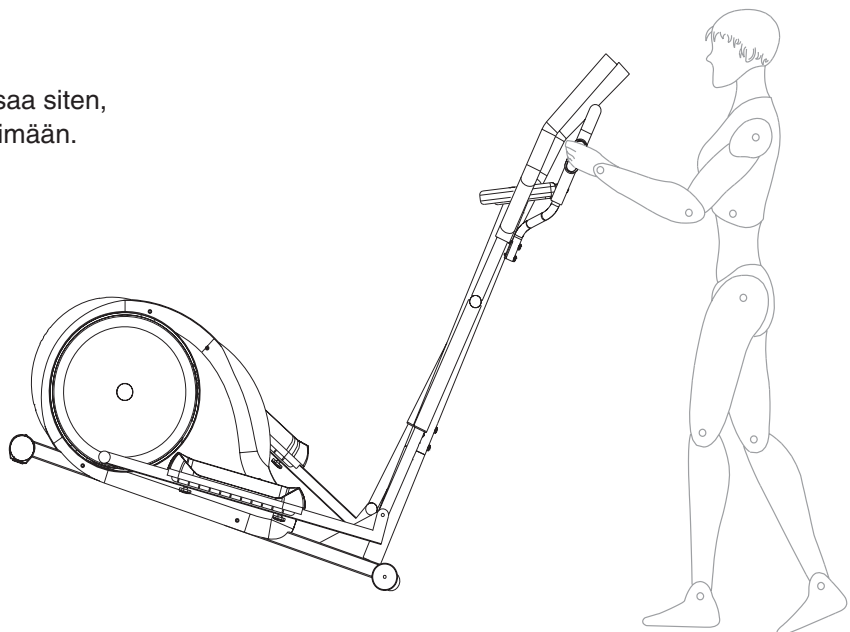
Liitä pakkauksen mukana olevan muuntajan (6 V, 1000 mA, + keskellä) DC-pistoke taaemman lattiatuen (81) takana olevaan liitântään. Liitä muuntaja verkkovirtaan.

Laita näyttö päälle

Paina jotakin painiketta tai ala polkea, niin näyttö aktivoituu. Tekstin "Program" alla vilkkuu luku 1 tarkoittaen **Program 1 MANUAL**. Jos näyttö ei mene päälle, varmista, että muuntaja on liitetty oikein.

Laitteen siirtäminen

Ota kiinni kahvasta ja nosta takaosaa siten, että etuosan pyörät pääsevät pyörimään.



6. Harjoittelun aloittaminen

6.1 Peruskäyttö

Näytön aktivoiminen

Aktivoi näyttö painamalla jotain painikkeista tai aloittamalla polkemisen. Jos näyttö ei mene päälle, varmista, että muuntaja on liitetty oikein.

Kuormitus

Kuormitus noudattaa näytön pylväitä, korkea pylväs tarkoittaa suurta kuormitusta ja matala pylväs tarkoittaa alhaista kuormitusta. Kuormitusta voi muuttaa harjoituksen aikana [UP] ja [DOWN]-painikkeilla.

Harjoittelutavoitteet

Jokaisessa harjoitteluohjelmassa on eri harjoittelutavoitteita, joissa voi asettaa harjoituksen pituuden, välimatkan ja poltettavien kaloreiden määrän.

Tauon pitäminen harjoituksessa

Voit pitää tauon koska tahansa painamalla nuppia [ST/SP]. Mittaus pysähtyy ja senhetkiset arvot pysähtyvät näytölle. Jatka harjoittelua painamalla uudestaan nuppia [ST/SP].

Toiminnon vaihto harjoittelun aikana

Lopeta ohjelmoitu harjoitus painamalla [ST/SP]. Valitse toinen ohjelma [UP] ja [DOWN]-painikkeilla. Vahvista painamalla [ENTER].

Asetusten palauttaminen

Jos haluat poistaa asetetun ohjelman, paina [ST/SP] noin 3 sekunnin ajan. Laitteesta kuuluu merkkiäänä ja kaikki merkinnät näkyvät näytöllä lyhyen aikaa.

6.2 Harjoitteluohjelman valitseminen

Valikkojen/harjoitusohjelmien selitykset

Nro	Ohjelma	Selitys	Harjoittelutavoitteet/Asetukset
1	Manuaalinen	Harjoitteluohjelma tavoitteella tai ilman. Kuormitusta voi lisätä tai vähentää manuaalisesti harjoittelun aikana.	- TIME (aika) - DISTANCE (välimatka) - CALORIES (kalorien kulutus)
2	Rolling	Vaihteleva vastus harjoittelun aikana.	- TIME (aika) - DISTANCE (välimatka) - CALORIES (kalorien kulutus)
3	Valley	Ylä- ja alamäkiä.	- TIME (aika) - DISTANCE (välimatka) - CALORIES (kalorien kulutus)
4	Fat Burn	1 ylä- ja 1 alamäki.	- TIME (aika) - DISTANCE (välimatka) - CALORIES (kalorien kulutus)
5	Ramp	Hitaasti kasvava vastus.	- TIME (aika) - DISTANCE (välimatka) - CALORIES (kalorien kulutus)

6	Mountain	Vuoriharjoitteluohjelma, jossa kasvavaa ja heikentyvää vastusta harjoittelun aikana.	<ul style="list-style-type: none"> - TIME (aika) - DISTANCE (välimatka) - CALORIES (kalorien kulutus)
7	Intervals	Nopeasti vaihteleva vastus.	<ul style="list-style-type: none"> - TIME (aika) - DISTANCE (välimatka) - CALORIES (kalorien kulutus)
8	Watt Control	Valitse itse kuormitus. Jatkuva kuormitus, mikä tarkoittaa samaa vastusta nopeudesta riippumatta. Kuormitus on säädettävissä (tehdasasetuksena 100 W).	<ul style="list-style-type: none"> - TIME (aika) - DISTANCE (välimatka) - CALORIES (kalorien kulutus) - WATT (teho)
9	55 % H.R.C.	Sykeohjattu ohjelma. Harjoittelu jatkuu, kunnes saavutat 55 % prosenttia maksimisykkeestäsi.	<ul style="list-style-type: none"> - TIME (aika) - DISTANCE (välimatka) - CALORIES (kalorien kulutus) - AGE (ikä) - TARGET H.R (tavoitesyke)
10	75 % H.R.C.	Sykeohjattu ohjelma. Harjoittelu jatkuu, kunnes saavutat 75 % prosenttia maksimisykkeestäsi.	<ul style="list-style-type: none"> - TIME (aika) - DISTANCE (välimatka) - CALORIES (kalorien kulutus) - AGE (ikä) - TARGET H.R (tavoitesyke)
11	90 % H.R.C.	Sykeohjattu ohjelma. Harjoittelu jatkuu, kunnes saavutat 90 % prosenttia maksimisykkeestäsi.	<ul style="list-style-type: none"> - TIME (aika) - DISTANCE (välimatka) - CALORIES (kalorien kulutus) - AGE (ikä) - TARGET H.R (tavoitesyke)
12	Target H.R	Sykeohjattu ohjelma. Harjoittelu jatkuu, kunnes tavoitesyke saavutetaan.	<ul style="list-style-type: none"> - TIME (aika) - DISTANCE (välimatka) - CALORIES (kalorien kulutus) - TARGET H.R (tavoitesyke)
13	Users Profile	Voit itse tehdä vaihtelevan ohjelman säätämällä kuormituksen vaiheittain.	<ul style="list-style-type: none"> - TIME (aika) - DISTANCE (välimatka) - CALORIES (kalorien kulutus) - COLUMN 1-10 (vaiheet 1 - 10)
14	Body Test	Näyttää tulokset: FAT%, BMR, BMI sekä BODY TYPE (katso taulukko).	<ul style="list-style-type: none"> - HEIGHT (pituus) - WEIGHT (paino) - AGE (ikä) - SEX (sukupuoli)
15	User Data	Omat asetukset.	<ul style="list-style-type: none"> - NAME (nimi): Maks. 8 kirjainta - HEIGHT (pituus) - WEIGHT (paino) - AGE (ikä) - SEX (sukupuoli)

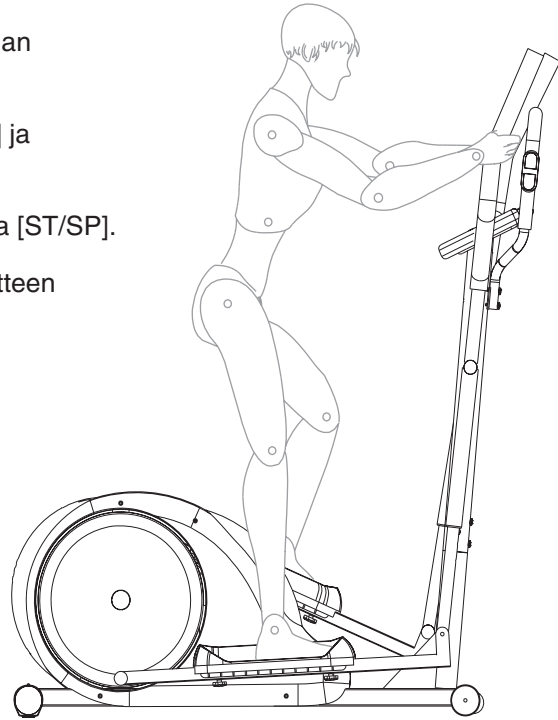
Harjoittelun aloittaminen ilman tavoitteita

Käytä tätä harjoittelumuotoa, mikäli haluat harjoitella ilman harjoittelutavoitteita.

1. Valitse haluamasi harjoitteluohjelma painamalla [UP] ja [DOWN] (katso taulukko).
2. Aloita harjoittelu ilman harjoitteluohjelmaa painamalla [ST/SP].
3. Nyt voit aloittaa harjoittelun. Asetu Cross Trainer -laitteen päälle kuvan osoittamalla tavalla.

Omien asetusten asettaminen

1. Valitse ohjelma 15 (User Data) painikkeilla [UP] tai [DOWN], vahvasta painamalla [ENTER].
2. Muuta asetusta painikkeilla [UP] tai [DOWN] ja siirry seuraavaan asetukseen painamalla [ENTER].
3. Toista kunnes olet tehnyt kaikki asetukset.



Harjoittelun aloittaminen ja harjoittelutavoitteen asettaminen

1. Valitse haluamasi harjoitteluohjelma painamalla [UP] ja [DOWN] (katso taulukko). Vahvasta painamalla [ENTER].
2. Valitse haluamasi harjoittelutavoite/asetus painamalla [ENTER].
3. Muuta asetusta painikkeilla [UP] tai [DOWN] ja siirry seuraavaan asetukseen painamalla [ENTER].
4. Toista kunnes olet tehnyt kaikki asetukset.
5. Kun olet tehnyt asetukset, aloita harjoittelu painamalla [ST/SP].
6. Nyt voit aloittaa harjoittelun. Asetu Cross Trainer -laitteen päälle kuvan osoittamalla tavalla.

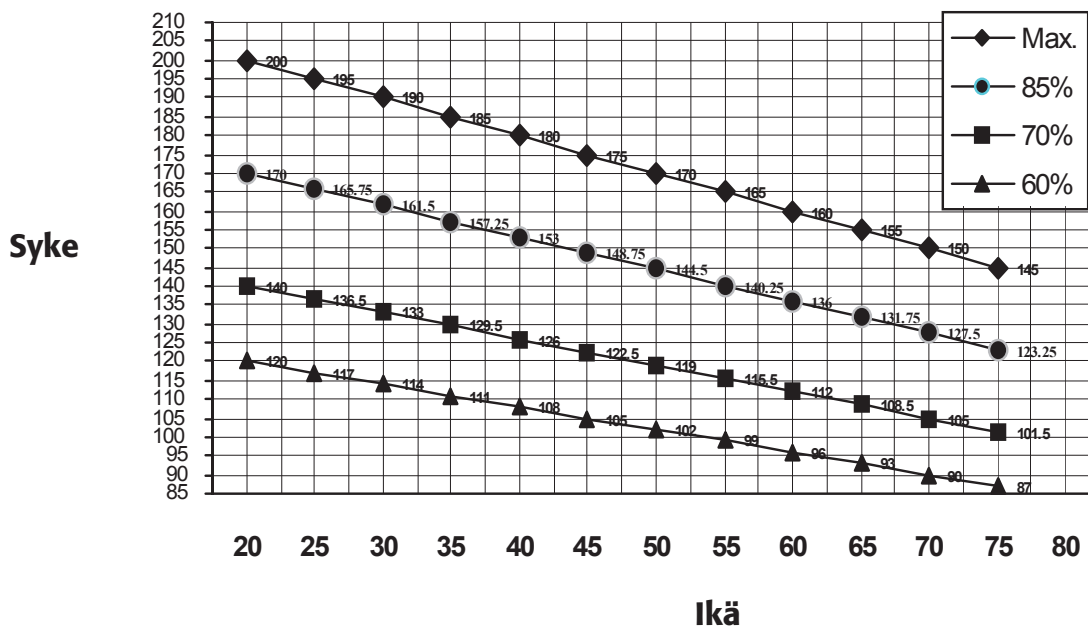
Esimerkki:

Intervalliharjoittelu, 15 minuuttia:

1. Valitse ohjelma 7 (Intervals) [UP] ja [DOWN]-painikkeilla.
2. Vahvasta painamalla [ENTER], näytöllä lukee "TIME".
3. Aseta aika (15 minuuttia) [UP] ja [DOWN]-painikkeilla.
4. Aloita harjoittelu painamalla [ST/SP], jäljellä oleva aika näkyy näytöllä.
5. Kun valittu aika on kulunut loppuun, laite ilmoittaa siitä äänimerkillä.

6.3 Sykkeen mittaaminen

- Aseta kädet ohjaintangon sykeantureihin. Pidä kiinni molemmista antureista saadaksesi mahdollisimman tarkan tuloksen. Sykkeesi näkyy hetken kuluttua.
- Kun harjoitteluohjelman aikana näytölle tulee teksti "HOLD SENSOR", aseta kädet sykeantureihin.
- Syke mitataan magneettisesti. Mikäli mitattu syke eroaa todellisesta sykkeestä, säädetään se todellisen sykkeen mukaan.
- Jos syke on matalampi kuin asetettu sykearvo, kuormitus nousee. Jos syke on korkeampi kuin asetettu sykearvo, kuormitus laskee.
- Jos kuormitusta on laskettu niin paljon kuin mahdollista ja syke on edelleen asetettua sykearvoa korkeampi, alkaa näyttö vilkkua ilmoittaakseen, että sinun kannattaa hidastaa.



6.4 Kehon rasvapitoisuuden mittaaminen – Body test (ohjelma 14)

1. Aloita ohjelma 14 (Body test).
2. Kun näytöllä ilmestyy teksti "HOLD SENSOR", aseta kädet ohjaintangon sykeantureihin. Pidä kiinni molemmista antureista saadaksesi mahdollisimman tarkan tuloksen. Jos tietokone ei rekisteröi sykettä, lukee näytöllä hetken jälkeen "ERROR".
3. Laite näyttää tulokset: FAT%, BMR, BMI sekä BODY TYPE (katso taulukko). Valitse tulos, jota haluat katsella painamalla [ENTER].

Taulukko FAT%

1	5 % - 14 %
2	15 % - 24 %
3	25 % - 29 %
4	30 % - 39 %
5	40 % - 50 %

Huom.!

- Tietokoneen osoittama tulos on vain harjoittelukäyttöön, ei lääketieteellisen käyttöön!

6.5 Fitness-testi (Pulse Recovery)

Testi on henkilökohtainen ja sitä käytetään sykkeen mittaamiseen harjoitteluohjelman jälkeen.

1. Paina harjoitteluohjelman jälkeen kerran [PULSE RECOVERY].
2. Pidä molemmat kädet sykeantureilla ja polje.
3. Laite laskee ajan 60 sekunnista nolnaan.
4. Kun testi on loppu, tulos näkyy näytöllä:

F1,0	Erinomainen
F2,0	Hyvä
F3,0	Keskitasoa
F4,0	Alle keskitason
F5,0	Huono
F6,0	Erittäin huono

7. Harjoitusohjeet

On monta asiaa, jotka sinun täytyy ottaa huomioon, kun suunnittelet harjoitusohjelmaasi. Jos olet ollut kauan harrastamatta liikuntaa tai jos sinulla on sairaus, joka voi pahentua fyysisen harjoittelun seurauksena, suosittelemme, että keskustele lääkärisi kanssa ennen harjoittelun aloittamista.

Intensiteetti

- Kun valitset oikean intensiteetin, voit saavuttaa parhaan mahdollisen harjoittelutuloksen. Intensiteetti perustuu sykkeeseen. Maksimisykkeen laskemiseen käytetään usein seuraavaa kaavaa:
Maksimisyke = 220 – ikäsi
- Harjoittelun aikana tulisi sykkeen olla 60–85 % maksimisykkeestä (ks. Syketaulukko käyttöohjeen lopussa).
- Ensimmäisten viikkojen aikana harjoittelusykkeen tulee olla noin 60 % maksimisykkeestäsi.
- Muutaman viikon harjoittelun jälkeen voi harjoittelusyke olla jo lähempänä 85 %:a maksimisykkeestäsi.

Rasvanpoltto

Elimistö alkaa polttaa rasvaa, kun syke on 60 % maksimisykkeestä. Eniten rasvaa palaa sykkeen ollessa 60–70 % maksimisykkeestä. Parhaimman tuloksen saat, jos harjoittelet 30 minuutin ajan kolme kertaa viikossa.

Esimerkki:

Olet 52-vuotias ja aloitat harjoittelun tarkoituksenaasi polttaa rasvaa.

Maksimisykkeesi on $220 - 52 = 168$ lyöntiä/min.

Matalin harjoittelusyke = $168 \times 0,6 = 101$ lyöntiä/ minuutti

Korkein harjoittelusyke = $168 \times 0,7 = 117$ lyöntiä/ minuutti

Kun harjoittelusykkeesi on 101–117, poltat rasvaa parhaalla mahdollisella tavalla.

Harjoitteluvinkkejä

Lämmittely

Lämmittele 5–10 minuuttia ennen harjoittelun aloittamista. Voit esim. venytellä tai kävellä rauhallisesti.

Harjoittelun määrä

Harjoittelusyke 60–85 % maksimisykkeestä on sopiva harjoitteluun. Voit laskea harjoittelun pituuden seuraavan taulukon mukaan:

Harjoittelet päivittäin = n. 10 minuuttia joka kerta.

Harjoittelet 2–3 kertaa viikossa = n. 20 minuuttia joka kerta.

Harjoittelet 1–2 kertaa viikossa = n. 60 minuuttia joka kerta.

Harjoittelun jälkeen

Anna lihasten jäähtyä harjoittelun jälkeen. Vähennä vauhtia ja vastusta viimeisten minuuttien ajaksi. Venyttele lihaksia hetki harjoittelun jälkeen, niin ehkäiset niiden jäykistymistä.

Tie menestykseen

- Harjoittelu antaa tuloksia jo lyhyen ajan jälkeen. Huomaat tämän, kun harjoittelusykkeesi laskee.
- Yritä harjoitella säännöllisesti. Harjoittelusuunnitelman noudattaminen on helpompaa, jos harjoittelet aina samaan aikaan päivästä.
- Aloita harjoittelu varovaisesti. Lisää harjoittelua sitä mukaa kun kuntosi kohenee.
- Onnea terveellisemmän elämän aloittamiseen!

8. Kierrätys

Kierrätä tuote asianmukaisesti, kun poistat sen käytöstä. Ota yhteys kuntasi jäteneuvontaan, mikäli olet epävarma.

9. Tekniset tiedot

Käyttöjännite: 6 V DC, 1000 mA (muuntajan kanssa 230 V AC, 50 Hz)

Mitat

Korkeus 1 600 mm

Pituus 1 340 mm

Leveys 590 mm

Vauhtipyörä Paino 8 kg/kpl

SVERIGE

KUNDTJÄNST Tel: 0247/445 00
Fax: 0247/445 09
E-post: kundtjanst@clasohlson.se

INTERNET www.clasohlson.se

BREV Clas Ohlson AB, 793 85 INSJÖN

NORGE

KUNDESENTER Tlf.: 23 21 40 00
Faks: 23 21 40 80
E-post: kundesenter@clasohlson.no

INTERNETT www.clasohlson.no

POST Clas Ohlson AS, Postboks 485 Sentrum, 0105 OSLO

SUOMI

ASIAKASPALVELU Puh: 020 111 2222
Faksi: 020 111 2221
Sähköposti: info@clasohlson.fi

INTERNET www.clasohlson.fi

OSOITE Clas Ohlson Oy, Yrjönkatu 23 A, 00100 HELSINKI

GREAT BRITAIN

For consumer contact, please visit
www.clasohlson.co.uk and click on
customer service.

INTERNET www.clasohlson.co.uk

CLAS OHLSON