

7" Dual Screen Portable DVD/MPEG4 Player

7" DVD/MPEG4-spelare med dubbla skärmar

7" DVD/MPEG4-spiller med to skjermer

7" DVD/MPEG4-soitin ja kaksi näyttöä

7"-DVD/MPEG4-Player mit zwei Displays



Art.no

18-8265

38-4567

Model

PDVD-163BHD2P-UK

PDVD-163BHD2P

Ver. 20130503

clas ohlson

English

Svenska

Norsk

Suomi

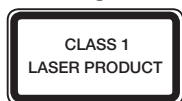
Deutsch

7" Dual Screen Portable DVD/MPEG4 Player

Art.no 18-8265 Model PDVD-163BHD2P-UK
38-4567 PDVD-163BHD2P

Please read the entire instruction manual before using the product and save it for future reference. We reserve the right for any errors in text or images and any necessary changes made to technical data. If you have any questions regarding technical problems please contact our customer services.

Safety



CLASS 1 LASER PRODUCT

Warning! Do not open the casing. The product contains invisible laser beams which can cause eye damage. Do not look directly into the laser beam or look directly at it using an optical instrument.

- The product should not be taken apart or modified. Certain exposed parts inside the casing carry dangerous current and can cause fires or electric shocks if touched.
- The on/off switch only switches the device into standby power mode and does not totally cut off current from the mains.
- Make sure that the wall socket you are using is accessible so that it is easy to disconnect the mains adaptor from the mains when it is not in use.
- Never subject the product to high temperature, dust, heavy vibration, impacts, humidity or moisture.
- Do not place the product where there is a risk of it falling into water or other liquid. Do not place any objects which contain liquid on the product such as vases, drinks, etc.
- Do not cover the product. The ventilation openings on the product must not be blocked.
- Do not place the product in a confined space with poor air circulation. Adequate ventilation is required to prevent the device from overheating.
- Do not place the product on a soft surface such as a cushion or a quilt. Place the product on a hard surface to ensure adequate ventilation/cooling.
- The product is intended for indoor use only.
- Do not place heavy or sharp objects onto the LCD screen.
- If a USB cable is used to connect an external device such as a media player, the cable should be no longer than 25 cm.
- Use only the included AC/DC mains adaptor.
- Do not abuse the mains lead. Make sure that the mains lead does not come into contact with heat, sharp edges or is crushed.
- Always unplug the mains adaptor from the wall socket at night or before leaving the house.

- Protect your hearing. Listening to the player on high volume for prolonged periods can lead to permanent hearing loss.
- This product must not be used by anyone (including children) suffering from physical or mental impairment. This product should not be used by anyone that has not read the instruction manual unless they have been instructed in its use by someone who will take responsibility for their safety.
- If the product emits an unusual odour or starts to overheat, switch it off immediately. Do not use the product again until it has been inspected by a qualified technician.
- The product must only be repaired by qualified service technicians and only using genuine spare parts.

Product description

- DVD player with two 7" widescreen display screens.
Built-in speakers.
- USB port, SD slot and stereo headphone socket.
- Remote control (1 × CR2025 battery, sold separately).
- Comes with mains adaptor for home use and 12 V cable for the car.
- Monitor leads, headrest straps and carrying case included.
- Last memory function: Continues to play a DVD from the point where play was interrupted if the power is turned off (e.g. if the car ignition is switched off).

Specifications

Power supply	100–240 V AC, 50/60 Hz or 12 V DC
Power consumption	<15 W
Main unit size	190 × 140 × 39 mm
Extra monitor size	190 × 140 × 23 mm
Screen	2 × 7"
Outputs	Video output 1.0 V (p-p) / 75 Ω Audio output 1.0 V rms (1 kHz, 0 dB)
Output power	Speakers 2 × 1 W, 3.5 mm headphone socket
Remote control	1 × CR 2025 battery

System

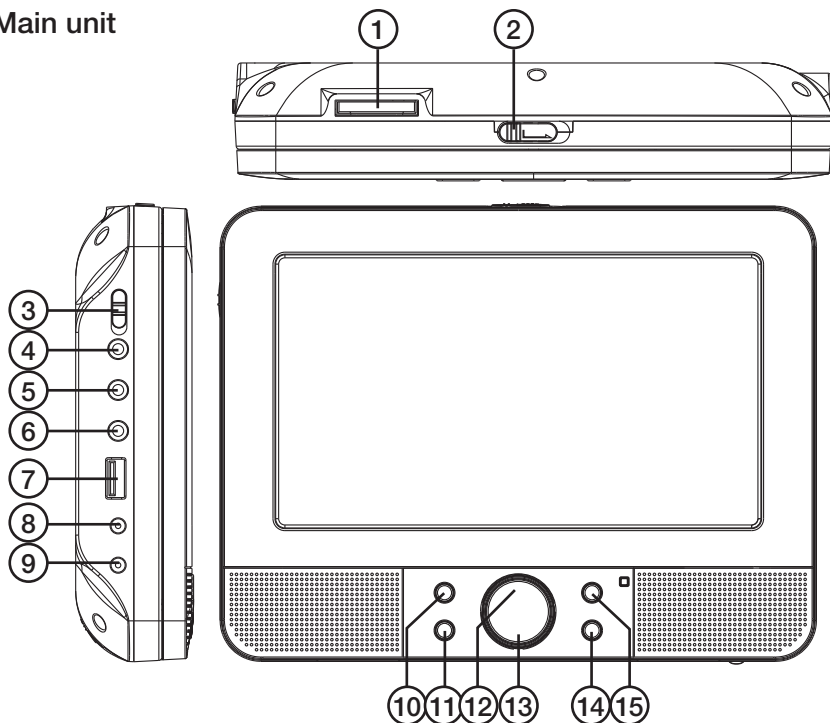
Laser system	Semiconductor laser, wavelength 650 nm
Signal system	PAL/NTSC
Frequency response	20 Hz to 20 kHz (±1 dB)
SNR	Over 80 dB (analogue output)
Dynamic range	Over 85 dB (DVD/CD)

Disposal

Disposal of this product should be in accordance with local regulations. If you are unsure how to proceed, contact your local authority.

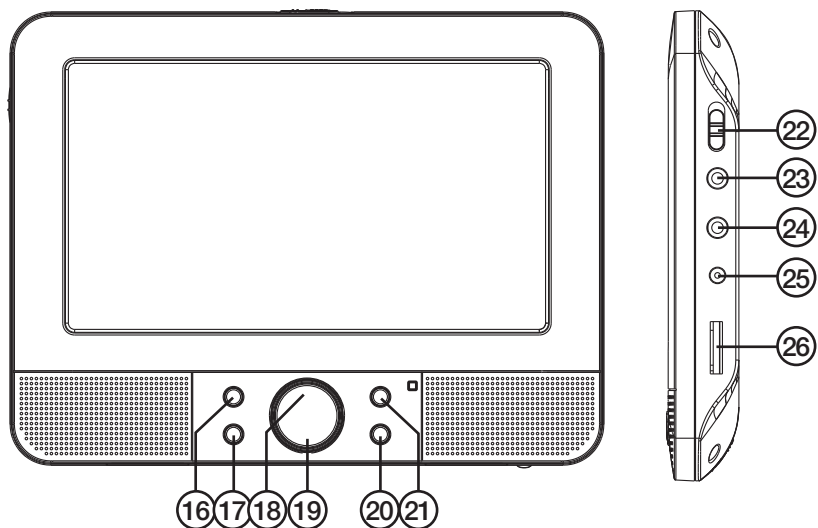
Buttons and functions

Main unit



1. Memory card slot
2. Open the CD/DVD compartment
3. [ON/OFF] On/off switch
4. 3.5 mm headphone socket
5. AV socket
6. Coaxial audio outlets
7. USB port
8. 9–12 V socket for connecting the extra monitor.
9. 9–12 V socket for connecting the mains adaptor or 12 V cable.
10. [◀ VOL-] Move left; lower the volume of playback from CD/DVD and video from USB flash drive or other type of memory card. When playing music stored on a USB flash drive or memory card, the volume is controlled using the remote control.
11. [ENTER] Confirm menu selection; start playback from the main unit
12. [▲/▶▶] Move up; advance to the next chapter/track
13. [▼/◀◀] Move down; go back to the previous chapter/track
14. [SOURCE] Select playback source: CD/DVD, USB flash drive or memory card
15. [VOL+▶] Move right; raise the volume of playback from CD/DVD and video from USB flash drive or other type of memory card. When playing music stored on a USB flash drive or memory card, the volume is controlled using the remote control.

Extra monitor



16. [◀] Reduce the values in the extra monitor's MODE and OPTION menus.
17. [BACKLIGHT] On/Off: If the switch is set to OFF, no image will be displayed on the screen.
18. [▲] Move up in the extra monitor's MODE menu.
19. [▼] Move down in the extra monitor's MODE menu.
20. Enter the extra monitor's MODE menu. Press once more to enter the OPTION menu.

The MODE menu has settings for:

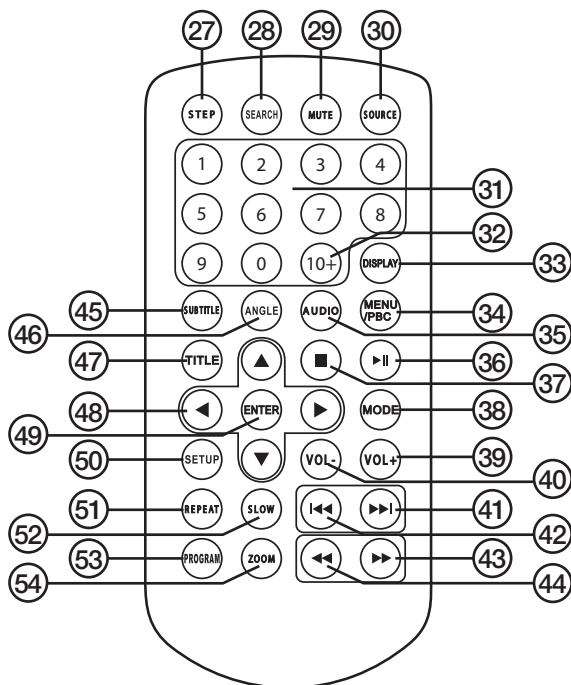
- Bright: Brightness
- Contrast: Contrast
- Color: Colour
- English: Language
- Reset: Reset to factory settings

The OPTION menu has settings for picture format 16:9 or 4:3.

Navigate, change values and make settings using the [▶][◀][▼][▲] keys.

21. [▶] Increase the values in the extra monitor's MODE and OPTION menus.
22. [ON/OFF] On/off switch
23. 3.5 mm headphone socket
24. Input socket for AV signal from the main unit
25. Input socket for power cable from the main unit
26. Volume

Remote control



27. [STEP] Display a still image, press [STEP] to advance frame by frame.
28. [SEARCH] Skip to a new place in a DVD film based on time, chapter or title.
Press the button repeatedly in order to be able to enter the time, chapter of title.
29. [MUTE] Turn off the volume
30. [SOURCE] Select playback source: DVD, USB flash drive or memory card
31. [1–9] Numerical keys for selecting tracks from your playlist and other commands requiring digits.
32. [10+] For entering numbers from 10 and upwards.
33. [DISPLAY] Press repeatedly to select in which way the playback time is displayed.
34. [MENU/PBC] Enter the DVD menu, PBC (Playback control) on/off. PBC is used to control the playback of VCDs using the remote control. **Note:** Not all VCDs have PBC functions.
35. [AUDIO] Press repeatedly to change language or soundtrack if such a function is supported by the disc.
36. [||▶] Play, pause
37. [■] Stop
38. [MODE] Brightness, contrast, hue and saturation setup
39. [VOL +] Increase the volume

40. [VOL -] Decrease the volume
41. [▶▶] Skip to the next chapter/track
42. [◀◀] Skip to the previous chapter/track
43. [▶▶▶] Fast forward DVD/media file playback at 2, 4, 8, 16 or 32 times the normal speed.
44. [▶▶▶] Fast reverse DVD/media file playback at 2, 4, 8, 16 or 32 times the normal speed.
45. [SUBTITLE] Press repeatedly to change language or subtitles during DVD playback if such a function is supported by the disc.
46. [ANGLE] View the video material from various camera angles if such material is available on the disc.
47. [TITLE] Return to the DVDs title page if there is one on the disc.
48. [▲][▼][◀][▶] Direction buttons
49. [ENTER] Confirm menu selection
50. [SETUP] Enter the settings menu
51. [REPEAT]
 - DVD:** Choose whether to either repeat the chapter, current title, all titles or turn off the repeat function
 - VCD:** Choose whether to either repeat the file, all files or turn off the repeat function
 - CD, MP3:** Choose whether to either repeat the current title, the entire folder or turn off the repeat function
52. [SLOW] Press this button repeatedly to slow down the playback speed. 1/2, 1/4, 1/8, 1/16 or normal speed.
53. [PROGRAM] Programme your favourite chapter/track. Use the numerical keys to enter a title, chapter or track and then select **PLAY** in the menu. To return to normal playback, press [PROGRAM] and select **CLEAR** in the menu. Press [PROGRAM] again to exit the programme menu.
54. [ZOOM]
 - DVD, VCD:** Zoom in/out on a picture during playback or in pause mode. Each press of the button enlarges or diminishes the picture in the following order: 2 X – 3 X – 4X magnification – 1/2 – 1/3 – 1/4 reduction – normal size.
 - JPEG:** Press [ZOOM] followed by [◀◀] or [▶▶] to reduce/enlarge the picture. Use [▶][◀][▼][▲] to move around inside the enlarged picture.

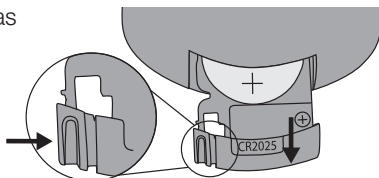
Getting started

Remote control

Insert a battery (CR2025) into the remote control if there is not already one in it.

Note: Only the main unit has a receiver for the signal sent from the remote control.

1. Push the catch to the right at the same time as you pull the battery holder out.
2. Insert 1 × CR2025 battery, positive side (+) facing up.



3. Connect the mains lead to the DVD player and plug the adaptor into a wall socket (100–240 V, 50/60 Hz) or plug the 12 V cable into a 12 V power socket and connect it to the DVD player.

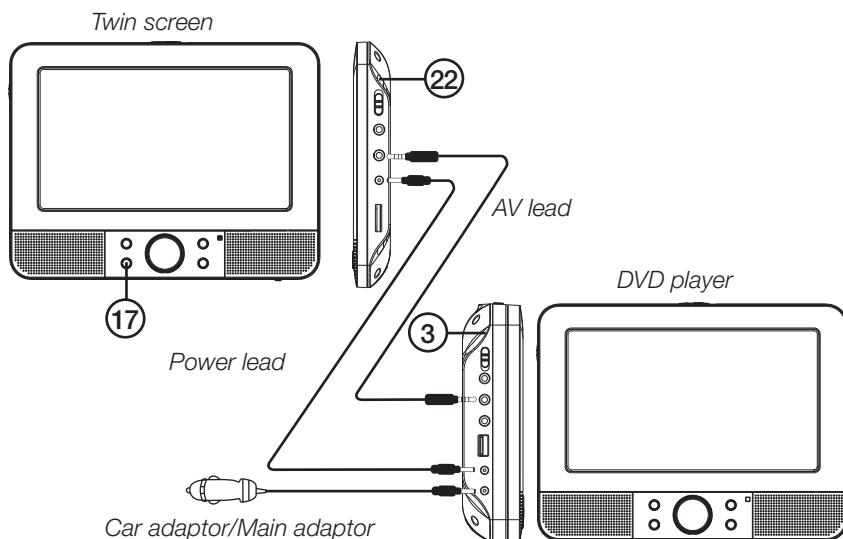
Connecting the extra monitor

The provided cable should be used to connect the main unit to the extra monitor and provide it with power, audio and visual data.

Note: Important details:

The on/off switches of both the main unit (3) and extra monitor (22) must be set to on.

1. [BACKLIGHT] (17) on the extra monitor must be set to **ON** in order for a picture to be visible.
2. Make sure that the power, audio and video connection cable is securely connected to both the DVD player and the extra monitor.



Use

General setup

1. Press [SETUP] to display the setup menu.
2. Use the direction buttons [▶][◀][▼][▲] to navigate, enter the sub-menus and working towards the right, make the desired settings.
3. After making your settings under GENERAL SETUP PAGE, press [◀] to return to the main categories.
4. Confirm your selection by pressing [ENTER].
5. Press [SETUP] once more to exit the menu.

The main categories and their sub-menus

GENERAL SETUP PAGE

General settings with the following sub-menus:

- **TV Display:** Picture format
- **Angle Mark:** Display or deactivate information about different camera angles used for video material if such information is available on the disc.
- **OSD Language:** Choose the desired language.
- **Closed caption:** Display or deactivate hidden text captions if there are any on the disc and the function is supported by your TV.
- **Screen saver:** Turns the screensaver on or off.
- **Last memory:** Activate or deactivate the function whereby the DVD player resumes playback from the point you were last at before the power was switched off (e.g. car ignition turned off).

AUDIO SETUP PAGE

Audio settings with the following sub-menus:

- **Downmix:** Analogue audio settings.
 - LT/RT: Used if the DVD player is connected to a Dolby Pro Logic surround sound system.
 - STEREO: Used if the DVD player's built-in loudspeakers are used.
- **Digital output:** Digital audio settings.
 - SPDIF/OFF: Deactivates the SPDIF audio output.
 - SPDIF/RAW: Used if the DVD player is connected to a multi-channel surround sound system via the digital audio output.
 - SPDIF/PCM: Used if your audio player cannot handle multi-channel stereo.
- **Dolby Digital:** 5.1 audio settings: Dual Mono, Stereo, L-mono, R-mono, Mix-mono and Dynamic.

VIDEO SETUP PAGE

Video settings with the following sub-menus:

- **Brightness**
- **Contrast**
- **Hue**
- **Saturation**

PREFERENCE PAGE

Personal settings with the following sub-menus:

Note: These settings can only be changed if playback has been stopped.

- **TV type:** Select TV system – PAL, NTSC or AUTO.
- **Audio:** Selects the audio output language (if available).
- **Subtitle:** Selects the subtitle language (if available).
- **Disc menu:** Selects the disc menu language (if available).
- **Parental:** Parental control. Requires a password.

Note: The preset password is 1369.

Set the parental control level restricting “adult content” if supported by the disc. There are 8 levels; level 1 is “suitable for children” whilst level 8 is “adult content”. Certain discs have a parental control function for the entire disc or sections of the disc. On these discs, the level can be set for the entire disc or just for certain sections of the disc. The levels are country dependent and only work if the DVD supports this function. VCDs, SVCDs and CDs do not support this function. Most illegal DVDs also lack this function. Certain DVDs lack this function despite the fact that a classification category is printed on the packaging.

- **Default:** Resets the DVD player to factory default settings.

PASSWORD

Password setup page:

- **Password mode:** Activates or deactivates the password function.
Note: If the password function is deactivated, no password is required in order to change the parental control level.
- **Password:** Changing the password:
 1. First enter the current password in the OLD PASSWORD box using the numerical keys on the remote control. The cursor will automatically jump to NEW PASSWORD.
 2. Enter the new password. The password must be 4 digits.
 3. The cursor will automatically jump to CONFIRM PASSWORD.
 4. Confirm the new password by entering it once more (if an incorrect password is entered, the cursor will stay in the box).
 5. The cursor automatically jumps to OK, press [Enter] to confirm and exit.

Note: If the password is changed, the parental control password is also changed. The default password, 1369 can always be used even if the password has been changed.

Playback

1. Press [SOURCE] and select an audio source, CD, DVD, memory card or USB flash drive.
2. Navigate and control playback as described in the *Buttons and functions* section.

Care and maintenance

Cleaning

- Always unplug the adaptor from the wall socket before cleaning.
- Make sure that no liquids penetrate the player.
- Use only a damp cloth and mild detergent when cleaning the exterior.
- Never use solvents or abrasive cleaning agents.
- The screen itself should only be cleaned using specialized screen cleaning products.

Disc care

- Hold the disk by the hole and edge when handling in order to avoid fingerprints and dirt from contaminating the disk.
- Do not bend the disc or expose it to direct sunlight or heat.
- Clean the discs with a soft dry cleaning cloth starting from the centre and working outwards. Never use solvents or strong detergents.
- Store the discs in their cases.

Troubleshooting guide

<p>The product does not turn on or turns off by itself.</p>	<ul style="list-style-type: none"> • Make sure that the mains adaptor and its cable are undamaged and correctly plugged into the wall socket and DVD player. • Check to see if there is power at the wall socket. • If using a 12 V cable, make sure it is not damaged and that it is plugged into a 12 V socket and the DVD player. • Check to see if there is power at the 12 V socket. Note: Some cars need the ignition to be on for the 12 V socket to work. • Start the device by turning it on and off with the switch.
<p>The product does not react to the remote's commands.</p>	<ul style="list-style-type: none"> • Make sure that the remote control battery is not discharged. • Make sure that the battery is inserted correctly. • Make sure the remote is aimed at the sensor on the front of the DVD player. • Make sure that nothing is blocking the signal from the remote and that you are not out of range of the DVD player.
<p>No picture or sound.</p>	<ul style="list-style-type: none"> • Make sure that both monitors are turned ON and that the backlight switch on the extra monitor is set to ON. • Make sure that all sound and video leads are correctly connected. • Make sure that the disc is one of the following: DVD, DVD-R, DVD-RW or CD. • Make sure that the disc is whole, scratch-free and inserted correctly with the label facing upwards. • Make sure the DVD player's laser pickup is not dirty. Contact Customer Services if this is the case. • Make sure that any connected TV is set to the correct channel (VIDEO, AV, etc.). • Change your media file, some files can be damaged or of poor quality.
<p>No sound.</p>	<ul style="list-style-type: none"> • Check that none of the cables are damaged and that they are properly connected. • Change your media file, some files can be damaged or of poor quality.
<p>Poor sound or picture.</p>	<ul style="list-style-type: none"> • Check that none of the cables are damaged and that they are all properly connected. • Check the disc. Use a clean and scratch-free disc. • Change your media file, some files can be damaged or of poor quality.

7" DVD/MPEG4-spelare med dubbla skärmar

Art.nr 18-8265 Modell PDVD-163BHD2P-UK
38-4567 PDVD-163BHD2P

Läs igenom hela bruksanvisningen före användning och spara den sedan för framtida bruk. Vi reserverar oss för ev. text- och bildfel samt ändringar av tekniska data. Vid tekniska problem eller andra frågor, kontakta vår kundtjänst (se adressuppgifter på baksidan).

Säkerhet



KLASS 1 LASERAPPARAT

Varning! Öppna inte höljet! Osynlig laserstrålning som kan orsaka ögonskador. Rikta inte blicken in mot strålen och titta inte direkt på den genom optiska instrument.

- Produkten får inte demonteras eller ändras. Farlig spänning finns oskyddad på komponenter inuti produktens hölje. Kontakt med dessa kan leda till brand eller ge elektriska stötar.
- Strömbrytaren är sekundärt kopplad och bryter inte strömmen från nätet.
- Se till att uttaget där nätadaptern sitter är lättillgängligt eftersom nätadaptern på apparatens nätsladd används som frånkopplingsanordning från elnätet.
- Utsätt aldrig produkten för höga temperaturer, dammig miljö, starka vibrationer, stötar, fukt eller väta.
- Placera inte produkten så att den kan falla ner i vatten eller annan vätska. Ställ inte heller några föremål som innehåller vätska på produkten, t.ex. en blomvas eller dryck.
- Täck inte över anläggningen. Anläggningens ventilationshål och öppningar får inte blockeras.
- Placera inte apparaten i ett för trångt utrymme så att inte luften kan cirkulera runtom. Tillräcklig ventilation är nödvändig för att förhindra att anläggningen blir för varm.
- Placera inte produkten på ett mjukt underlag t.ex. filt, kudde eller täcke. Använd ett hårt underlag för att produkten ska få tillräcklig kylning.
- Produkten är endast avsedd för inomhusbruk.
- Placera inte tunga och/eller vassa föremål på LCD-displayen.
- Om en USB-kabel används för att ansluta t.ex. en mediaspelare får den inte vara längre än 25 cm.
- Använd endast den bifogade nätadaptern.
- Misshandla inte nätsladden. Se till att nätsladden inte kommer i kontakt med värme, vassa kanter eller kläms på något sätt.
- Dra ur nätadaptern ur vägguttaget under natten och när du reser bort.
- Skydda din hörsel. Lyssning med hög volym under lång tid kan leda till bestående hörselskador.

- Produkten får inte användas av personer (inklusive barn) med begränsad fysisk eller mental förmåga. Den får inte heller användas av personer utan tillräcklig erfarenhet och kunskap om de inte har fått instruktioner om användningen av någon som ansvarar för deras säkerhet.
- Om onormal lukt uppstår eller om produkten överhettas vid användning, stäng genast av apparaten. Använd inte apparaten förrän den kontrollerats av kvalificerad servicepersonal.
- Produkten får endast repareras av kvalificerad servicepersonal och endast med originalreservdelar.

Produktbeskrivning

- 7" DVD-spelare med dubbla skärmar.
- Inbyggda högtalare.
- Uttag för USB-minne, SD-kort och hörlurar.
- Fjärrkontroll (1 x CR2025-batteri, säljs separat).
- Drivs via medföljande nätadapter för hemmabruk eller 12 V-kabel för bilen.
- Monitorkablar, remmar för montering på t.ex. nackstöd samt väska ingår.
- Last memory-funktion: Fortsätter att spela upp DVD-skivan från den punkt där man sist var när strömmen slogs av (om t.ex. bilens tändning slås ifrån).

Specifikationer

Nätanslutning	100–240 V AC, 50/60 Hz eller 12 V
Effektförbrukning	<15 W
Mått huvudenhet	190 × 140 × 39 mm
Mått extraskärm	190 × 140 × 23 mm
Skärm	2 × 7"
Utgångar	Videoutgång 1,0 V (p-p)/75 Ω Audioutgång 1,0 V rms (1 kHz, 0 dB)
Uteffekt	Högtalare 2 × 1 W, 3,5 mm hörlursutgång
Fjärrkontroll	1 × CR 2025-batteri

System

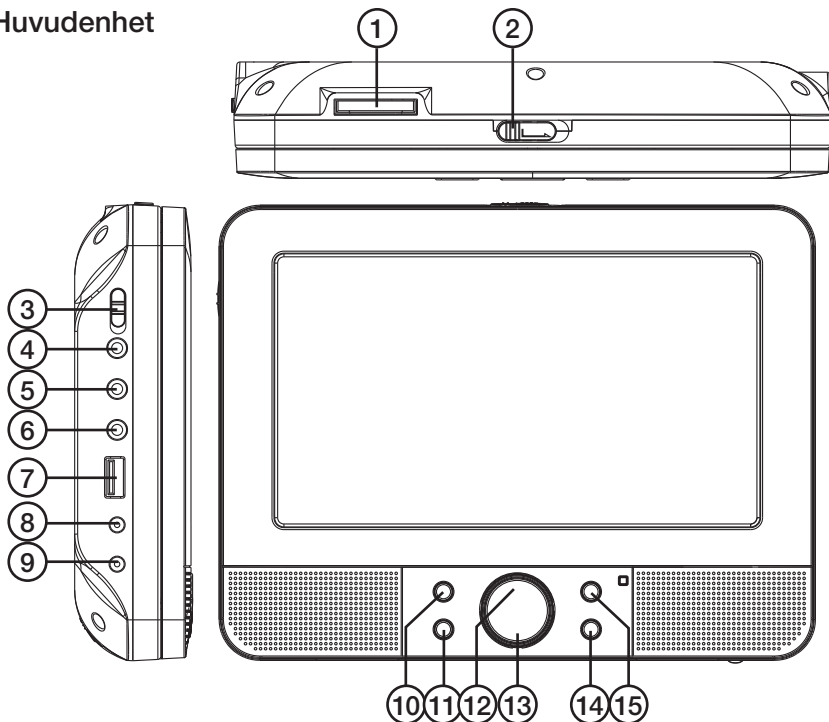
Laser	Halvledarlaser, våglängd 650 nm
Signalsystem	PAL/NTSC
Frekvensomfång	20 Hz till 20 kHz (±1 dB)
S/N-nivå	Bättre än 80 dB (analog utgång)
Dynamik	Bättre än 85 dB (DVD/CD)

Avfallshantering

När du ska göra dig av med produkten ska detta ske enligt lokala föreskrifter. Är du osäker på hur du ska gå tillväga, kontakta din kommun.

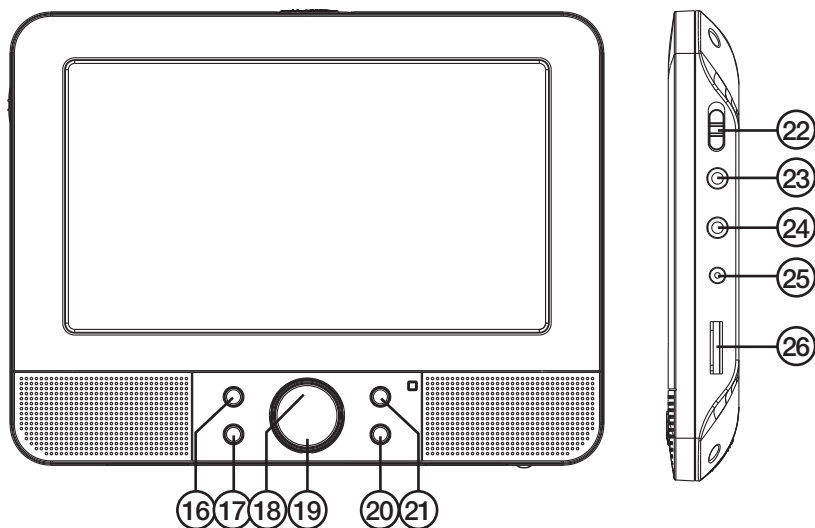
Knappar och funktioner

Huvudenhet



1. Uttag för minneskort
2. Öppnar luckan för CD/DVD-skivor
3. [ON/OFF] På/av
4. 3,5 mm-hörlursuttag
5. AV-utgång
6. Koaxial ljudutgång
7. Uttag för USB-minne
8. 9–12 V-utgång för anslutning av medföljande extraskärm
9. 9–12 V-ingång för medföljande nätadapter eller 12 V-kabel
10. [◀ VOL-] Navigera vänster, minska volymen vid uppspelning från CD/DVD och vid videouppspelning från USB-minne och minneskort. Vid musikuppspelning från USB-minne och minneskort styrs volymen från fjärrkontrollen.
11. [ENTER] Bekräfta menyval, starta uppspelning från huvudenhet
12. [▲/▶▶] Navigera uppåt, gå till nästa kapitel/spår
13. [▼/◀◀] Navigera nedåt, gå till föregående kapitel/spår
14. [SOURCE] Val av uppspelningskälla: CD/DVD, USB-minne eller minneskort
15. [VOL+▶] Navigera höger, öka volymen vid uppspelning från CD/DVD och vid videouppspelning från USB-minne och minneskort. Vid musikuppspelning från USB-minne och minneskort styrs volymen från fjärrkontrollen.

Extraskärm



16. [◀] Navigera och minska värden i extraskärmens MODE- och OPTION-menyer.
17. [BACKLIGHT] På/av: Om knappen är i läge AV visas ingen bild på skärmen.
18. [▲] Navigera uppåt i extraskärmens MODE-meny.
19. [▼] Navigera nedåt i extraskärmens MODE-meny.
20. Öppna extraskärmens MODE-meny. Tryck en gång till för att öppna OPTION-menyn.

MODE-menyn har inställningar för:

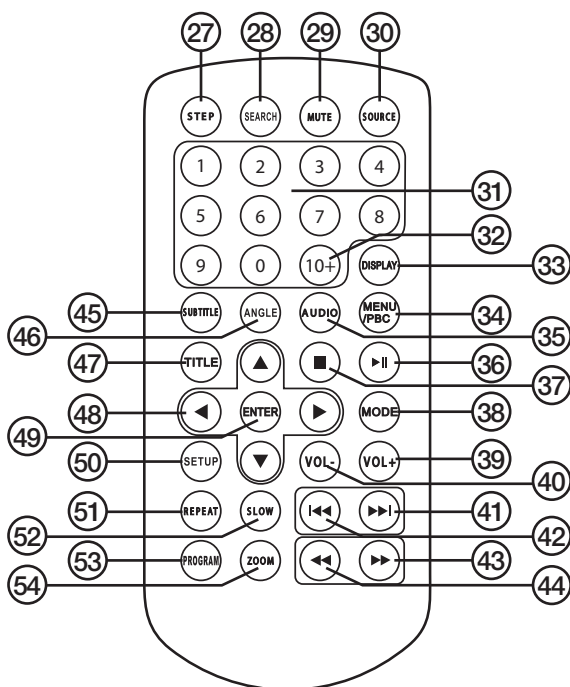
- Bright: Ljusstyrka
- Contrast: Kontrast
- Color: Färg
- English: Språk
- Reset: Återställ till fabriksinställningarna

OPTION-menyn har inställningar för bildstorlek 16:9 eller 4:3.

Navigera, ändra värden och gör inställningar med [▶][◀][▼][▲]-tangenterna.

21. [▶] Navigera och öka värden i extraskärmens MODE- och OPTION-menyer
22. [ON/OFF] På/av
23. 3,5 mm hörlursuttag
24. Ingång för AV-signal från huvudenhet
25. Ingång för strömkabel från huvudenhet
26. Volym

Fjärrkontroll



27. [STEP] Visa stillbild, tryck på [STEP] för att stega fram bildruta för bildruta.
28. [SEARCH] Hoppa till nytt ställe i DVD-filmen baserat på tid, kapitel eller titel.
Tryck upprepade gånger för att kunna skriva in tid, kapitel eller titel.
29. [MUTE] Stänger av ljudet
30. [SOURCE] Val av uppspelningsskälla: DVD, USB-minne eller minneskort.
31. [1–9] Sifvertangenter för val av numrerade filer i en spellista, övriga sifferkommandon, lösenord m.m.
32. [10+] För att skriva in tal från 10 och uppåt.
33. [DISPLAY] Tryck upprepade gånger för att välja på vilket sätt uppspelningstiden ska visas.
34. [MENU/PBC] Öppna DVD-menyn, PBC (Playback control) på/av. PBC används för att från fjärrkontrollen styra uppspelningen av VCD-skivor (Video CD).
Obs! Alla VCD-skivor har inte PBC-funktioner.
35. [AUDIO] Tryck upprepade gånger för att byta språk eller ljudspår om sådan funktion finns tillgänglig på skivan.
36. [||▶] Play, pause
37. [■] Stopp
38. [MODE] Inställning av ljusstyrka, kontrast, färgton och färgmättnad.

39. [VOL+] Höj volymen
40. [VOL-] Sänk volymen
41. [▶▶] Gå till nästa kapitel/spår
42. [◀◀] Gå till föregående kapitel/spår
43. [▶▶] Snabbspola DVD-uppspelning och uppspelning av mediafiler framåt med 2, 4, 8, 16 eller 32 gångers hastighet.
44. [◀◀] Snabbspola DVD-uppspelning och uppspelning av mediafiler bakåt med 2, 4, 8, 16 eller 32 gångers hastighet.
45. [SUBTITLE] Tryck upprepade gånger för att byta språk på textningen under DVD-uppspelning om sådan funktion finns tillgänglig på skivan.
46. [ANGLE] Se det inspelade videomaterialet från olika kameravinklar om sådant material finns tillgängligt på skivan.
47. [TITLE] Återvänd till DVD-skivans titelmeny om sådan finns tillgänglig på skivan.
48. [▲][▼][◀][▶] Navigationsknappar
49. [ENTER] Bekräfta menyval
50. [SETUP] Öppnar menyn för grundinställningar.
51. [REPEAT]
 - DVD:** Välj mellan att reprisera kapitel, aktuell titel, alla titlar eller stäng av repetition.
 - VCD:** Välj mellan att reprisera en fil, alla filer eller stäng av repetition.
 - CD, MP3:** Välj mellan att reprisera aktuell titel, hel mapp eller stäng av repetition.
52. [SLOW] Tryck upprepade gånger på [SLOW] för att välja uppspelningshastighet. 1/2, 1/4, 1/8, 1/16 eller normal hastighet.
53. [PROGRAM] Programmera favoritkapitel/spår. Använd sifferknapparna för att skriva in titel, kapitel eller spårnummer och välj **PLAY** i menyn. För att återgå till normal uppspelning tryck [PROGRAM] och välj **CLEAR** från menyn. Tryck [PROGRAM] igen för att gå ur programmenyn.
54. [ZOOM]
 - DVD, VCD:** Zooma in/ut i bilden under uppspelning eller från pausläge. Varje tryckning förstorar och förminskar bilden i följande ordning: 2 X – 3 X – 4 X förstoring – 1/2–1/3–1/4 förminskning – normal storlek.
 - JPEG:** Tryck [ZOOM] och sedan [◀◀] eller [▶▶] för att förminska/förstora bilden. Använd [▶][◀][▼][▲] för att flytta runt i den förstorade bilden.

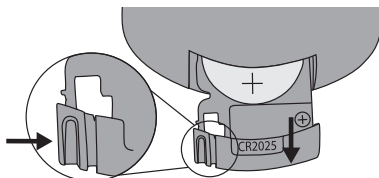
Att komma igång

Fjärrkontroll

Sätt i ett batteri (CR2025) i fjärrkontrollen om det inte redan är monterat.

Obs! Endast huvudenheten har mottagare för fjärrkontrollens signaler.

1. Tryck snäpplåset till höger samtidigt som batterihållaren dras rakt ut.
2. Sätt i 1 × CR2025-batteri och se till att plusmärkningen (+) på batteriet överensstämmer med plusmärkningen (+) på batterihållaren.



3. Anslut nätsladden till ingången på DVD-spelaren och nätadaptern till ett vägguttag (100–240 V, 50/60 Hz) eller anslut 12 V-kabeln till en 12 V-strömkälla och till ingången på DVD-spelaren.

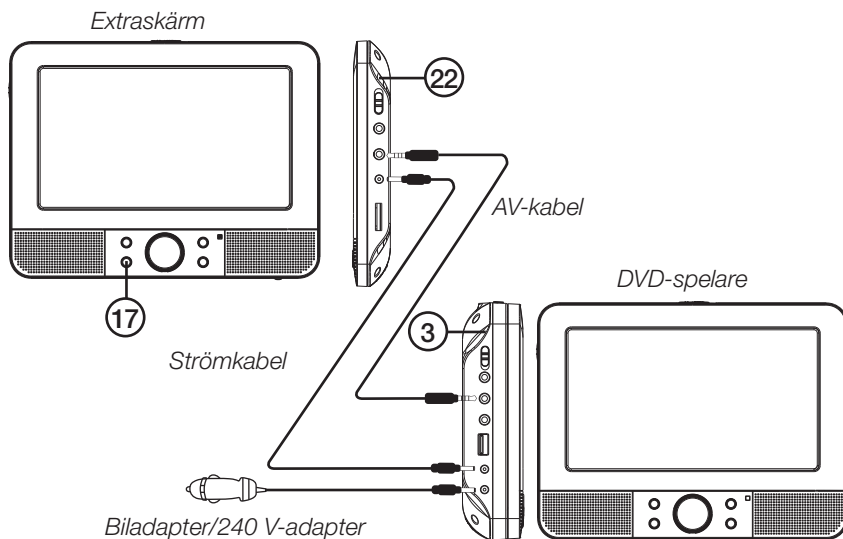
Anslutning av extraskärm

Anslut den medföljande kabeln för överföring av ström, bild och ljud mellan huvudenheten och extraskärmen.

Obs! Tänk på att:

Både huvudenhetens och extraskärmens strömbrytare (3) och (22) måste vara påslagna.

1. [BACKLIGHT] (17) på extraskärmen måste vara i läge **PÅ** för att bilden ska visas.
2. Se till att kabeln för överföring av ström, bild och ljud är ordentligt ansluten till både DVD-spelare och extraskärm.



Användning

Grundinställningar

1. Tryck [SETUP] för att komma till inställningsmenyerna.
2. Använd [▶][◀][▼][▲] för att navigera och för att gå ut i undermenyerna till höger och göra önskade inställningar.
3. När inställningarna under t.ex. GENERAL SETUP PAGE är klara, tryck [◀] för att gå tillbaka upp till huvudkategorierna.
4. Bekräfta valen med [ENTER].
5. Tryck [SETUP] en gång till för att gå ur menyen.

Huvudkategorierna och deras undermenyer

GENERAL SETUP PAGE

Allmänna inställningar med undermenyerna:

- **Tv Display:** Anpassa bildstorleken.
- **Angle Mark:** Visa eller stäng av information om olika kameravinklar som använts för att spela in videomaterialet om sådan information finns tillgänglig på skivan.
- **Osd Language:** Välj önskat språk.
- **Closed caption:** Visa eller stäng av dold undertext om sådan finns på skivan och stöds av ansluten TV.
- **Screen saver:** Slå på eller av skärmsläckare.
- **Last memory:** Slå på eller av funktionen för att DVD-spelaren ska spela skivan från den punkt man sist var när strömmen slogs ifrån (om t.ex. bilens tändning slås ifrån).

ANLOG AUDIO SETUP PAGE

Ljudinställningar med undermenyerna:

- **Downmix:** För inställning av det analoga utljudet.
 - LT/RT: Används om DVD-spelaren är ansluten till en Dolby Pro Logic surroundanläggning.
 - STEREO: Används om DVD-spelarens egna högtalare används.
- **Digital output:** För inställning av det digitala utljudet.
 - SPDIF Off: Stäng av SPDIF utljud.
 - SPDIF/RAW: Används om DVD-spelaren från digital ljudutgång är ansluten till en flerkanals surroundanläggning.
 - SPDIF/PCM: Används om ansluten anläggning inte kan hantera flerkanalsstereo.
- **Dolby Digital:** Gör olika inställningar av 5.1 ljud: Dual Mono, Stereo, L-mono, R-mono, Mix-mono och Dynamic.

VIDEO SETUP PAGE

Videoinställningar med undermenyerna:

- **Brightness:** Ljusstyrka
- **Contrast:** Kontrast
- **Hue:** Färgton
- **Saturation:** Färgmättnad

PREFERENCE PAGE

Egna inställningar med undermenyerna:

Obs! Inställningar kan bara göras om ev. uppspelning är stoppad.

- **TV-typ:** Välj TV-system PAL, NTSC eller AUTO.
- **Audio:** Välj språk för utljud om sådant finns tillgängligt.
- **Subtitle:** Välj språk för undertexter om sådant finns tillgängligt.
- **Disc menu:** Välj språk för skivmenyn om sådant finns tillgängligt.
- **Parental:** Föräldrakontroll. Lösenord krävs.

Obs! Det fabriksinställda lösenordet är 1369.

Ställ in nivå för "barnförbjudet material" om sådan funktion finns tillgänglig på skivan. Nivåer finns från 1 "barntillåtet" till 8 "barnförbjudet". Vissa skivor har funktionen för hela eller delar av skivan. På dessa skivor kan nivå ställas in för hela eller för vissa delar av skivan. **Obs!** Nivåerna är landsberoende och fungerar bara om DVD-skivan kan hantera denna funktion. VCD-, SVCD- och CD-skivor har inte denna funktion. De flesta illegala DVD-skivor saknar också funktionen. Vissa DVD-skivor saknar funktionen trots att någon typ av åldersbegränsning står tryckt på förpackningen.

- **Default:** Återställ DVD-spelaren till fabriksinställningarna.

PASSWORD

Inställning av lösenord med undermenyerna:

- **Password mode:** Stäng av eller slå på lösenordsfunktionen.
Obs! Om lösenordsfunktionen är avstängd behövs inget lösenord för att förändra nivån för "barnförbjudet material".
- **Password:** Byte av lösenord:
 1. Skriv först in gällande lösenord i rutan vid "Old password" genom att använda fjärrkontrollens sifferknappar. Markören flyttas till "New password".
 2. Skriv in det nya lösenordet. Lösenordet ska bestå av 4 siffror.
 3. Markören flyttas till "Confirm password".
 4. Bekräfta det nya lösenordet genom att skriva in det en gång till (om ett felaktigt lösenord skrivs in stannar markören i rutan).
 5. Markören aktiverar OK-knappen, tryck [ENTER] för att bekräfta och avsluta.

Obs! Om lösenordet ändras, ändras också lösenordet för föräldrakontroll. Det fabriksinställda lösenordet (1369) kan alltid användas även om lösenordet ändras.

Uppspelning

1. Tryck [SOURCE] och välj önskad uppspelningskälla, CD/DVD, minneskort eller USB-minne.
2. Navigera och kontrollera uppspelningen på det sätt som beskrivs under avsnittet *Knappar och funktioner* ovan.

Skötsel och underhåll

Rengöring

- Dra alltid ur nätadaptern ur vägguttaget före rengöring.
- Se till att ingen vätska kommer in i DVD-spelaren.
- Använd endast en lätt fuktad trasa med ett mildt rengöringsmedel vid rengöring av höljet.
- Använd aldrig lösningsmedel, inte heller frätande eller slipande rengöringsmedel.
- Produkter för rengöring av skärmen finns att köpa separat.

Vårda skivorna

- Håll skivan i hålet och kanten när den hanteras för att undvika fingeravtryck och smuts på skivan.
- Böj inte skivan och utsätt den inte för direkt solljus eller annan värmekälla.
- Rengör endast skivorna med en torr, mjuk trasa från centrum och utåt, använd aldrig rengöringsmedel eller starka lösningsmedel.
- Förvara skivorna i sina fodral.

Felsökningsschema

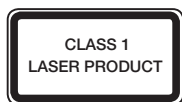
<p>Enheten startar inte eller slår av sig själv.</p>	<ul style="list-style-type: none"> • Kontrollera att nätadaptern och dess kabel är hel och att den är korrekt ansluten till vägguttaget och till DVD-spelaren. • Kontrollera att det finns ström i vägguttaget. • Om 12 V-kabeln används, se till att den är hel och korrekt ansluten till ett 12 V- uttag och till DVD-spelaren. • Kontrollera att det finns ström i 12 V-uttaget. Obs! Vissa bilar behöver ha tändningen på för att 12 V-uttaget ska leverera ström. • Starta om enheten genom att slå av och på strömbrytaren.
<p>Enheten reagerar inte på fjärrkontrollens knappar.</p>	<ul style="list-style-type: none"> • Kontrollera att fjärrkontrollens batteri inte är förbrukat. • Kontrollera att batteriet sitter rättvänt i fjärrkontrollens batterihållare. • Se till att fjärrkontrollen är riktad mot sensorn på DVD-spelarens (huvudenhetens) framsida. • Se till att inget föremål skymmer fjärrkontrollens signaler och att du inte befinner dig för långt ifrån DVD-spelaren.
<p>Ingen bild eller inget ljud.</p>	<ul style="list-style-type: none"> • Se till att båda skärmarnas på/av-knappar är i läge PÅ samt att extraskärmens BACKLIGHT-knapp är i läge PÅ. • Kontrollera att eventuella ljud- och bildkablar är hela och korrekt anslutna. • Kontrollera att skivan som används är av typ: DVD, DVD-R, DVD-RW eller CD. • Se till att skivan är hel och repfri och att den är korrekt placerad med etiketten vänd uppåt. • Kontrollera att DVD-spelarnas laserpickup inte är nedsmutsad. Kontakta kundtjänst om så är fallet. • Kontrollera att ev. ansluten TV-apparat är inställd på rätt kanal (VIDEO, AV, etc.). • Byt mediafil, vissa filer kan vara skadade eller vara av dålig kvalitet.
<p>Inget ljud.</p>	<ul style="list-style-type: none"> • Kontrollera att alla kablar är hela och korrekt anslutna. • Byt mediafil, vissa filer kan vara skadade eller vara av dålig kvalitet.
<p>Dåligt ljud och/eller dålig bild.</p>	<ul style="list-style-type: none"> • Kontrollera att alla kablar är hela och korrekt anslutna. • Kontrollera skivan. Använd en ren och repfri skiva. • Byt mediafil, vissa filer kan vara skadade eller vara av dålig kvalitet.

7" DVD/MPEG4-spiller med to skjermer

Art.nr. 18-8265 Modell PDVD-163BHD2P-UK
38-4567 PDVD-163BHD2P

Les brukerveiledningen nøye før produktet tas i bruk, og ta vare på den for framtidig bruk. Vi reserverer oss mot ev. tekst- og bildefeil, samt forandringer av tekniske data. Ved tekniske problemer eller spørsmål, ta kontakt med vårt kundesenter. (Se opplysninger om kundesenteret i denne bruksanvisningen).

Sikkerhet



KLASSE 1 LASERAPPARAT

Advarsel! Dekselet må ikke åpnes. Usynlig laserstråler som kan føre til øyeskader. Vend ikke blikket mot strålen, og se ikke rett på den gjennom optiske instrumenter.

- Produktet må ikke demonteres eller forandres på. Farlig spenning ligger ubeskyttet på visse komponenter under produktets deksel. Kontakt med disse kan føre til brann eller gi elektriske støt.
- Strømbryteren er sekundærkoblet og bryter ikke strømmen mellom nettet og apparatet.
- Påse at uttaket, der støpselet plugges inn, er lett tilgjengelig fordi støpselet til apparatet også brukes til å koble apparatet fra strømmettet.
- Utsett aldri produktet for høye temperaturer, fuktighet, støvete omgivelser, sterke vibrasjoner eller støt.
- Plasser ikke produktet slik at det kan komme i kontakt med vann eller annen væske. Plasser aldri produktet nær gjenstander som kan føre til at væske skylles over produktet.
- Produktet må ikke tildekkes. Anleggets ventilasjonsåpninger må ikke tildekkes.
- Plasser ikke apparatet i et for trangt rom slik at luften rundt ikke kan sirkulere fritt. Tilstrekkelig ventilasjon er nødvendig for å forhindre at apparatet blir for varmt.
- Plasser ikke produktet på et mykt underlag som f.eks. på en pute eller dyne. Sørg for hardt underlag slik at produktet får tilstrekkelig avkjøling.
- Produktet er kun beregnet for innendørs bruk.
- Plasser ikke tunge eller skarpe gjenstander på displayet.
- Hvis man bruker usb-kabel som tilkobling til for eksempel en mediaspiller må den ikke være lengre enn 25 cm.
- Bruk kun den medfølgende strømadapteren.
- Påse at ikke strømledningen skades. Påse at strømledningen ikke kommer i kontakt med varme, olje, skarpe kanter eller annet som kan skade den.
- Trekk strømadapteren ut av vegguttaket om natten og når du reiser bort.
- Beskytt hørselen din. Lytting med høyt volum over lengre tid kan føre til varige hørselsskader.

- Produktet må ikke benyttes av personer (inkl. barn) med begrensede fysiske eller mentale ferdigheter. Det må heller ikke benyttes av personer som ikke har tilstrekkelig erfaring og kunnskap eller ikke har fått instruksjon om bruken av personen som har ansvaret for deres sikkerhet.
- Hvis det oppstår unormal lukt eller hvis produktet overopphetes ved bruk må det skrus av umiddelbart. Bruk ikke apparatet før det er kontrollert av kvalifisert servicepersonale.
- Produktet skal kun repareres av kvalifisert servicepersonale og kun med originale reservedeler.

Produktbeskrivelse

- DVD-spiller med to skjermer.
- Innebygde høyttalere.
- Uttak for usb-minne, SD-minnekort og høyttalere.
- Fjernkontroll (1 × CR2025-batteri, selges separat).
- Drives med medfølgende nettadapter for hjemmebruk eller 12 V-kabel for bil.
- Leveres med monitorkabler, reimer for montering på f.eks. nakkestøtte og veske.
- Last memory-funksjon: Fortsetter å spille av dvd-platen fra det punktet hvor man sist var da strømmen ble brutt (for eksempel når bilens tenning skrus av).

Spesifikasjoner

Strømtilkobling	100–240 V AC, 50/60 Hz eller 12 V
Effektforbruk	< 15 W
Mål hovedenhet	190 × 140 × 39 mm
Mål ekstraskjerm	190 × 140 × 23 mm
Skjerm	2 × 7"
Utganger	Videoutgang 1,0 V(p-p) / 75 Ω Audioutgang 1,0 V rms (1 kHz, 0 dB)
Uteffekt	Høyttaler 2 × 1 W, 3,5 mm headsetutgang
Fjernkontroll	1 × CR 2025-batteri

System

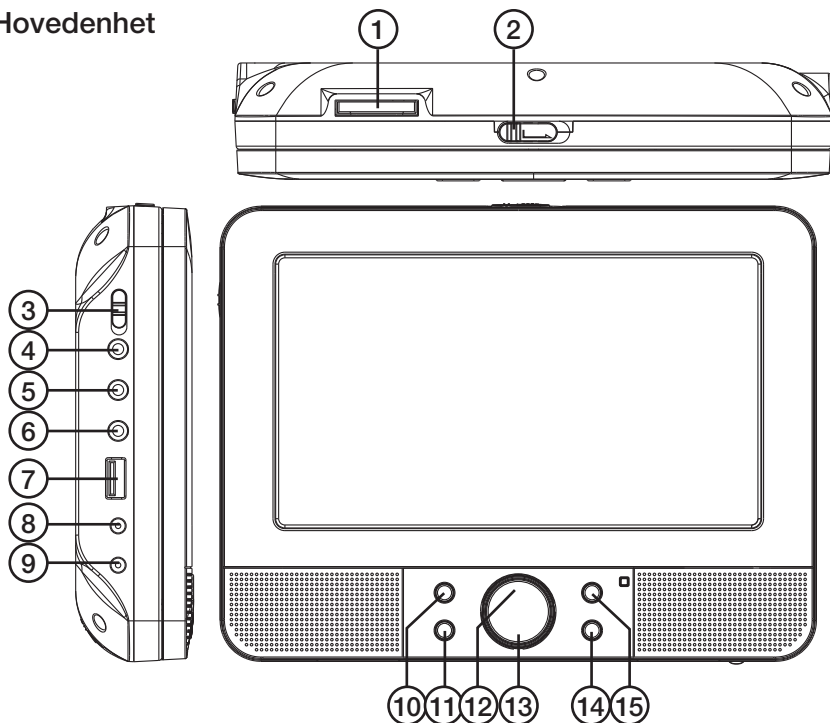
Laser	Halvlederlaser, bølgelengde 650 nm
Signalsystem	NTSC / PAL
Frekvensområde	20 Hz til 20 kHz (±1 dB)
S/N-nivå	Bedre enn 80 dB (analog utgang)
Dynamikk	Bedre enn 85 dB (dvd/cd)

Avfallshåndtering

Når produktet skal kasseres, må det skje i henhold til lokale forskrifter. Ved usikkerhet, ta kontakt med lokale myndigheter.

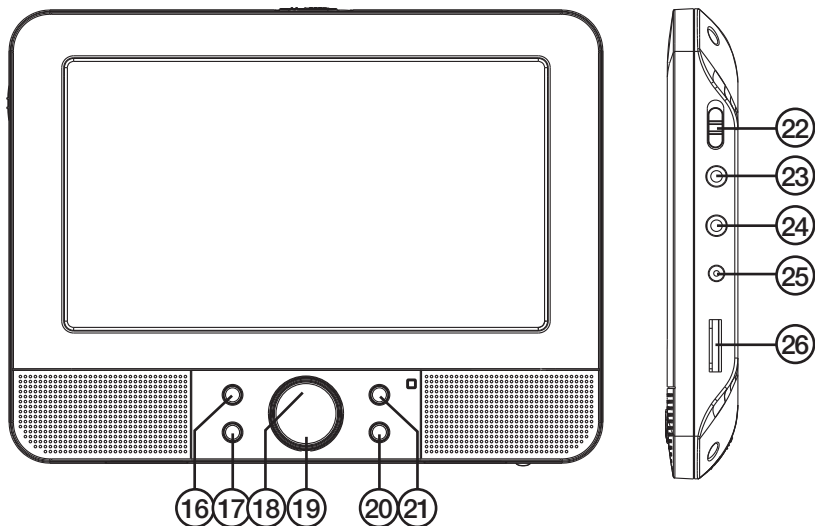
Knapper og funksjoner

Hovedenhet



1. Uttak for minnekort
2. Åpner luken for CD/DVD-plater
3. [ON/OFF] På/av
4. 3,5 mm hodetelefonuttak
5. AV-utgang
6. Koaksial lydutgang
7. Uttak for usb-minne
8. 9–12 V-utgang for tilkobling av medfølgende ekstraskjerm
9. 9–12 V-inngang for medfølgende strømadapter eller 12 V-kabel
10. [◀ VOL-] Navigere til venstre, redusere volumet ved avspilling fra CD/DVD og ved videoavspilling fra USB-minne og minnekort. (Ved musikkavspilling fra usb-minne og minnekort, styres volumet fra fjernkontrollen.)
11. [ENTER] Bekrefte menyvalg, starte avspilling fra hovedenhet.
12. [▲/▶▶|] Navigere oppover, gå til neste kapittel/spor
13. [▼/|◀◀] Navigere nedover, gå til foregående kapittel/spor
14. [SOURCE] Valg av avspillingskilde: CD/DVD, USB-minne eller minnekort
15. [VOL+ ▶] Navigere til høyre, heve volumet ved avspilling fra CD/DVD og ved videoavspilling fra USB-minne og minnekort. (Ved musikkavspilling fra usb-minne og minnekort, styres volumet fra fjernkontrollen.)

Ekstraskjerm



16. [◀] Navigere og redusere verdien på ekstraskjermens MODE- og OPTION-menyer.
17. [BACKLIGHT] På/av: Hvis knappen er i modus AV vises det ikke noe bilde på skjermen.
18. [▲] Navigere oppover på ekstraskjermens MODE-meny.
19. [▼] Navigere nedover på ekstraskjermens MODE-meny.
20. Åpne ekstraskjermens MODE-meny. Trykk en gang til for å åpne OPTION-menyen.

MODE-menyen har innstillinger for:

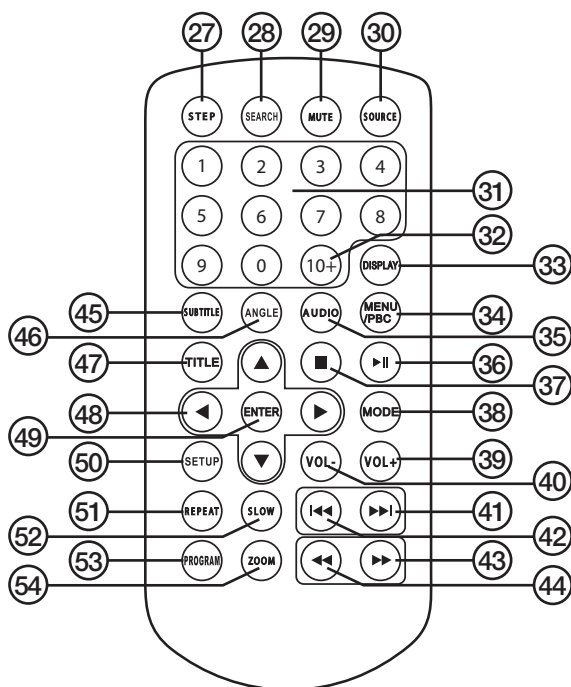
- Bright: Lysstyrke
- Contrast: Kontrast
- Color: Farge
- English: Språk
- Reset: Stille tilbake til fabrikkinnstillingene

OPTION-menyen har innstillinger for billedstørrelsene 16:9 eller 4:3.

Navigere, endre verdien og foreta innstillinger med [▶][◀][▼][▲] tastene.

21. [▶] Navigere og øke verdien på ekstraskjermens MODE- og OPTION-menyer
22. [ON/OFF] På/Av
23. 3,5 mm hodetelefonuttak
24. Inngang for AV-signal fra hovedenhet
25. Inngang for strømkabel fra hovedenhet
26. Volum

Fjernkontroll



27. [STEP] Vise stillbilde, trykk på [STEP] for å gå fram bilderute for bilderute.
28. [SEARCH] Hoppe til nytt sted i DVD-filmen basert på tid, kapittel eller tittel.
Trykk gjentatte ganger for å kunne skrive inn tid, kapittel eller tittel.
29. [MUTE] Stenger lyden
30. [SOURCE] Valg av avspillingskilde: DVD, USB-minne eller minnekort
31. [1–9] Taltaster for valg av nummererte filer i en spilleliste, øvrige tallkommandoer, passord etc.
32. [10+] For å skrive inn tall fra 10 og oppover.
33. [DISPLAY] Trykk gjentatte ganger for å velge hvordan avspillingstiden skal vises.
34. [MENU/PBC] Åpne DVD-menyen, PBC (Playback control) på/av. PBC brukes for å styre avspilling av VCD-plater (Video CD) fra fjernkontrollen.
Obs! Det er ikke alle VCD-plater som har PBC-funksjon.
35. [AUDIO] Trykk gjentatte ganger for å skifte språk eller lydspor hvis en slik funksjon er tilgjengelig på platen.
36. [▶ ||] Play/Pause
37. [■] Stopp
38. [MODE] Innstilling av lysstyrke, kontrast, fargetone og fargemetthet.
39. [VOL +] Hev volumet

40. [VOL -] Senk volumet
41. [▶▶] Gå til neste kapittel/spor
42. [◀◀] Gå til foregående kapittel/spor
43. [▶▶] Hurtigspole DVD-avspilling og avspilling av mediafiler framover med 2, 4, 8, 16 eller 32 gangers hastighet.
44. [◀◀] Hurtigspole DVD-avspilling og avspilling av mediafiler bakover med 2, 4, 8, 16 eller 32 gangers hastighet.
45. [SUBTITLE] Trykk gjentatte ganger for å skifte språk på teksten under DVD-avspilling hvis en slik funksjon finnes tilgjengelig på platen.
46. [ANGLE] Se det innspilte videomaterialet fra forskjellige kameravinkler hvis slikt materiale finnes tilgjengelig på platen.
47. [TITLE] Gå tilbake til DVD-platens tittelmeny hvis dette er tilgjengelig på platen.
48. [▲][▼][◀][▶] Navigasjonsknapper
49. [ENTER] Bekrefte menyvalg
50. [SETUP] Åpner menyen for grunninnstillinger.
51. [REPEAT]
 - DVD:** Velg mellom å gjenta kapittel, aktuell tittel, alle titler eller skru av repetisjon.
 - VCD:** Velg mellom å gjenta en fil, alle filer eller skru av repetisjon.
 - CD, MP3:** Velg mellom å gjenta aktuell tittel, hele mappen eller skru av repetisjon.
52. [SLOW] Trykk gjentatte ganger på [SLOW] for å velge avspillingshastighet. 1/2, 1/4, 1/8, 1/16 eller normal hastighet.
53. [PROGRAM] Programmere favorittkapittel/spor. Bruk talltastene for å skrive inn tittel, kapittel eller spornummer og velg **PLAY** i menyen. Trykk [PROGRAM] for å gå til normal avspilling, og velg **CLEAR** fra menyen. Trykk på [PROGRAM] igjen for å gå ut av programmeringsmodus.
54. [ZOOM]
 - DVD, VCD:** Zoome inn/ut i bildet under avspilling eller fra pausemodus. Hvert trykk forstørker eller minsker bildet i følgende rekkefølge: 2 X – 3 X – 4X forstørrelse – 1/2–1/3–1/4 forminskning – normal størrelse.
 - JPEG:** Trykk [ZOOM] og deretter [◀◀] eller [▶▶] for å forminske/forstørre bildet. Benytt [▶][◀][▼][▲] for å flytte rundt i det forstørrede bildet.

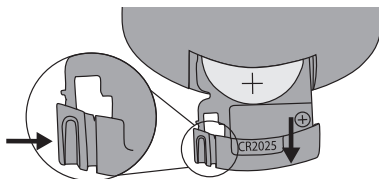
Kom i gang

Fjernkontroll

Plasser et batteri (CR2025) i fjernkontrollen hvis det ikke allerede sitter et der.

Obs! Det er kun hovedenheten som har mottaker for fjernkontrollens signaler.

1. Press hurtiglåsen mot høyre samtidig som batteriholderen trekkes ut.
2. Plasser ett CR2025-batteri i holderen og påse at polene blir plassert riktig. Se merking i batteriholderen.
3. Strømkabelen kobles til DVD-spilleren og adapteren til et strømttak (100–240 V, 50/60 Hz) eller koble 12 V-kabelen til en 12 V-strømkilde og til inngangen på DVD-spilleren.



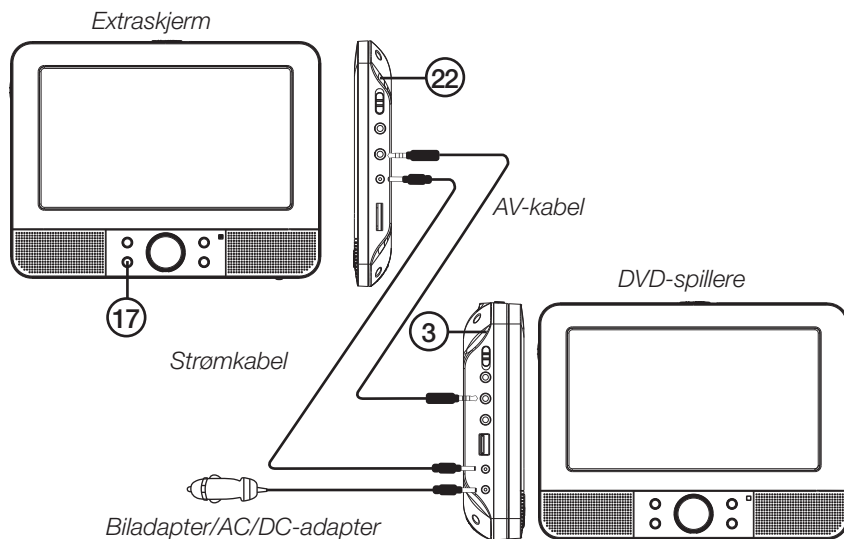
Tilkobling av ekstraskjerm

Den medfølgende kabelen for overføring av strøm, bilde og lyd mellom hovedenheten og ekstraskjermen kobles.

Obs! Husk:

Både hovedenhetens og ekstraskjermens strømbryter (3) og (22) må være skrudd på.

1. [BACKLIGHT] (17) på ekstraskjermen må være skrudd **PÅ** for at bildet skal vises.
2. Påse at kabelen for overføring av strøm, bilde og lyd er skikkelig tilkoblet både til DVD-spiller og ekstraskjerm.



Bruk

Grunninnstillinger

1. Trykk på [SETUP] for å komme til innstillingsmenyene.
2. Bruk [▶][◀][▼][▲] for å navigere og for å gå ut i undermenyene til høyre og foreta ønskede innstillinger.
3. Når innstillingene under f.eks. GENERAL SETUP PAGE er klare, trykk [◀] for å gå tilbake til hovedkategoriene.
4. Bekrefte med [ENTER].
5. Trykk [SETUP] en gang til for å gå ut av menyen.

Hovedkategoriene og deres undermenyer

GENERAL SETUP PAGE

Generelle innstillinger med undermenyene:

- **Tv Display:** Tilpasse bildestørrelsen.
- **Angle Mark:** Vise eller skru av informasjon om forskjellige kameravinkler som brukes for å spille inn videomaterialet hvis slik informasjon er tilgjengelig på platen.
- **OSD Language:** Velg ønsket spor.
- **Closed caption:** Vise eller skru av skjult undertekst hvis dette finnes på platen og støttes av tilkoblet TV.
- **Screen saver:** Slå på eller av skjermsslukker.
- **Last memory:** Skru av eller på funksjon for at DVD-spiller skal spille av platen fra det punktet man sist var på når strømmen ble skrudd av (for eksempel bilens tenning).

ANLOG AUDIO SETUP PAGE

Lydinnstillinger med undermenyene:

- **Downmix:** For innstilling av den analoge utlyden.
 - LT/RT: Benyttes hvis DVD-spilleren er koblet til en Dolby Pro Logic surroundanlegg.
 - STEREO: Brukes hvis DVD-spillerens egne høyttalere benyttes.
- **Digital Output:** For innstilling av den digitale utlyden.
 - SPDIF/OFF: Skru av SPDIF utlyden.
 - SPDIF/RAW: Brukes hvis DVD-spilleren fra digital lydutgang er koblet til et flerkanals surroundanlegg.
 - SPDIF/PCM: Brukes hvis tilkoblet anlegg ikke kan håndtere flerkanalstereo.
- **Dolby Digital:** For forskjellige innstillinger av 5.1 lyd: Dual Mono, Stereo, L-mono, R-mono, Mix-mono og Dynamic.

VIDEO SETUP PAGE

Videoinnstillinger med undermenyene:

- **Brightness:** Lysstyrke
- **Contrast:** Kontrast
- **Hue:** Fargetone
- **Saturation:** Fargemetning

PREFERENCE PAGE

Egne innstillinger med undermenyene:

Obs! Innstillinger kan kun foretas når avspilling er stoppet.

- **TV-type:** Velg TV-system PAL, NTSC eller AUTO.
- **Audio:** Velg språk for utlyd hvis dette er tilgjengelig.
- **Subtitle:** Velg språk for undertekster hvis dette er tilgjengelig.
- **Disc menu:** Velg språk for platemenyen hvis dette er tilgjengelig.
- **Parental:** Foreldrekontroll. Krever passord.

Obs! Det forhåndsinnstilte passordet er 1369.

Still inn nivå for materiale som skal være stengt for barn, dersom denne funksjonen er tilgjengelig på platen. Nivåene her er 1 til 8, hvor 1 er tillatt for barn og 8 er forbudt for barn. Enkelte plater har funksjonen for hele eller deler av platen.

På disse platene kan nivået stilles inn for hele eller deler av platen. **Obs!** Nivåene er avhengig av land og fungerer kun hvis DVD-platen kan håndtere denne funksjonen. VCD-, SVCD- og CD-plater har ikke denne funksjonen. De fleste illegale DVD-platene mangler denne funksjonen. Enkelte DVD-plater mangler funksjonen selv om det er beskrevet at de har en eller annen form for aldersbegrensning trykt på forpakningen.

- **Default:** Tilbakestiller dvd-spillere til fabrikkinnstillingene.

PASSWORD

Innstilling av passord med undermenyene:

- **Password mode:** Skru av eller på passordfunksjonen.
 - Obs!** Hvis passordfunksjonen er skrudd av trengs ikke noe passord for å endre nivå for barneforbudt materiale.
- **Password:** Skifte av passord:
 1. Skriv først inn gjeldende passord i ruten med «Old password» ved å bruke fjernkontrollens talltaster. Markøren flyttes til «New password».
 2. Skriv deretter inn det nye passordet. Passordet skal bestå av 4 tall.
 3. Markøren flyttes til «Confirm password».
 4. Det nye passordet bekreftes ved at det skrives inn en gang til. Hvis man nå skriver et feil passord vil markøren forbli i ruten.
 5. Markøren aktiverer OK-knappen. Trykk [ENTER] for å bekrefte og avslutte.

Obs! Hvis passordet endres, vil også passordet for foreldrekontrollen bli endret. Det fabrikkinnstilte passordet (1369) kan alltid benyttes selv om passordet endres.

Avspilling

1. Trykk [SOURCE] og velg ønsket avspillingskilde, CD/DVD, minnekort eller USB-minne.
2. Naviger og kontroller avspillingen på den måten som beskrives under avsnittet *Knapper og funksjoner* ovenfor.

Stell og vedlikehold

Rengjøring

- Trekk alltid nettadapteren ut fra strømuttaket før rengjøring.
- Påse at det ikke kommer væske inn i DVD-spilleren.
- Bruk kun en lett fuktet klut med et mildt rengjøringsmiddel på ved rengjøring av dekkelet.
- Bruk aldri slipende eller etsende rengjøringsmidler eller sterke løsemidler.
- Produkter for rengjøring av skjerm fås kjøpt separat.

Stell av plater

- Hold platen i hullet og på kanten når du håndterer den, så det ikke kommer fingeravtrykk på selve platen.
- Platen må ikke bøyes eller utsettes for direkte sollys eller annen varmekilde.
- Platene skal kun rengjøres med en tørr, myk klut. Stryk fra sentrum av platen og utover. Bruk aldri rengjøringsmidler eller sterke løsemidler.
- Oppbevar platene stående i sine futteraler.

Feilsøking

<p>Enheden starter ikke, eller den skrur seg plutselig av.</p>	<ul style="list-style-type: none"> • Kontroller at strømadapteren og kablene er hele og at koblingene er foretatt riktig. • Kontroller at det er strøm i strømuttaket. • Hvis 12 V-kabelen brukes, påse at den er hel og riktig montert. • Kontroller at det finnes strøm i 12 V-uttaket. Obs! Enkelte biler må ha tenningen på for at 12 V-uttaket skal levere strøm. • Start enheten på nytt ved først å slå av for så å skru på strømbryteren igjen.
<p>Produktet reagerer ikke på fjernkontrollens knapper.</p>	<ul style="list-style-type: none"> • Kontroller batteriet i fjernkontrollen. • Kontroller at batteriet er plassert riktig. • Påse at fjernkontrollen er rettet mot sensoren på DVD-spillerens framside. • Påse at det ikke er gjenstander som skjerner fjernkontrollens signaler og at du ikke er for langt unna DVD-spilleren.
<p>Ikke noe bilde eller lyd.</p>	<ul style="list-style-type: none"> • Pass på at begge På/av-knappene er innstilt på PÅ, samt at ekstraskjermens BACKLIGHT-knapp er innstilt på PÅ. • Kontroller at ev. lyd- og bildekabler er riktig koblet til og at de er uskadet. • Kontroller at platen som benyttes er av en av følgende typer: dvd, dvd-r, dvd-rw eller cd. • Sjekk at platen er hel og fri for riper, og at den er riktig plassert med etiketten vendt oppover. • Kontroller at DVD-spillerens laserpickup ikke er skitten. Hvis det er tilfelle, ta kontakt med kundetjenesten. • Kontroller at ev. tilkoblet tv-apparat er innstilt på riktig kanal (VIDEO, AV, etc.). • Bytt mediafil. Enkelte filer kan være skadet eller av dårlig kvalitet.
<p>Ingen lyd.</p>	<ul style="list-style-type: none"> • Påse at alle kabler er hele og riktig koblet til. • Bytt mediafil. Enkelte filer kan være skadet eller av dårlig kvalitet.
<p>Dårlig lyd og/eller bilde.</p>	<ul style="list-style-type: none"> • Påse at alle kabler er hele og riktig koblet til. • Kontroller platen. Bruk en ren og ripefri plate. • Bytt mediafil. Enkelte filer kan være skadet eller av dårlig kvalitet.

7" DVD/MPEG4-soitin ja kaksi näyttöä

Tuotenro 18-8265 Malli PDVD-163BHD2P-UK
38-4567 PDVD-163BHD2P

Lue käyttöohjeet ennen tuotteen käyttöönottoa ja säilytä ne tulevaa tarvetta varten. Pidätämme oikeuden teknisten tietojen muutoksiin. Emme vastaa mahdollisista teksti- tai kuvavirheistä. Jos laitteeseen tulee teknisiä ongelmia, ota yhteys myymälään tai asiakaspalveluun (yhteystiedot käyttöohjeen lopussa).

Turvallisuus



LUOKAN 1 LASERLAITE

Varoitus! Älä avaa laitteen kotelo! Näkymätön lasersäde voi aiheuttaa silmävaurioita. Älä katso säteeseen edes optisten instrumenttien läpi.

- Älä pura tai muuta laitetta. Tuotteen rungon sisällä on vaarallista jännitettä sisältäviä suojaamattomia komponentteja. Niiden koskettaminen voi johtaa tulipaloon tai sähköiskuun.
- Virtakytkin ei katkaise virtaa kokonaan. Irrota laite pistorasiasta, jos haluat kytkeä virran pois kokonaan.
- Varmista, että pistorasia on helpopääsisisessä paikassa, sillä laitteen virta katkaistaan irrottamalla virtajohto pistorasiasta.
- Älä altista tuotetta liian korkeille lämpötiloille, pölylle, tärinälle, iskuille, kosteudelle tai vedelle.
- Älä sijoita laitetta sellaiseen paikkaan, josta se voi tippua veteen tai muuhun nesteeseen. Älä pane laitteen päälle nesteitä sisältäviä esineitä, kuten maljakoita tai limsapulloja.
- Älä peitä laitetta. Laitteen ilma-aukkoja ei saa peittää.
- Älä sijoita laitetta ahtaaseen tilaan, jossa ilma ei pääse kiertämään. Huolehdi riittävästä ilmanvaihdosta, ettei laite pääse kuumenemaan liikaa.
- Älä sijoita tuotetta pehmeälle alustalle esim. peiton tai tynnyksen päälle. Aseta laite kovalle alustalle riittävän ilmanvaihdon varmistamiseksi.
- Tuote on tarkoitettu vain sisäkäyttöön.
- Älä sijoita raskaita tai teräviä esineitä lcd-näytön päälle.
- Jos laitteeseen liitetään esim. mediasoitin usb-kaapelin avulla, kaapeli ei saa olla yli 250 mm:n pituinen.
- Käytä vain pakkauksen mukana tulevaa muuntajaa.
- Käsittele sähköjohtoa varoen. Johtoa ei saa altistaa kuumuudelle, teräville esineille tai puristukselle.
- Irrota muuntaja pistorasiasta yön ajaksi ja ollessasi matkoilla.
- Pidä huolta kuulostasi. Pitkäaikainen altistuminen kovalle äänenvoimakkuudelle saattaa aiheuttaa pysyviä kuulovaurioita.

- Tuotetta saavat käyttää aikuiset, joilla ei ole laitteen käyttöön vaikuttavia fyysisiä tai psyykkisiä rajoitteita. Henkilöt, joilla ei ole riittävästi kokemusta ja taitoja, eivät saa käyttää tuotetta ilman turvallisuudesta vastaavan henkilön antamia ohjeita.
- Sulje laite välittömästi, jos laite ylikuumentuu tai jos se rupeaa haisemaan käytön aikana. Älä käytä laitetta yllä mainittujen vikojen jälkeen, ennen kuin laitteen toiminta on tarkistettu valtuutetussa huoltoliikkeessä.
- Laitteen saa korjata vain valtuutettu huoltoliike, ja korjauksessa tulee käyttää vain alkuperäisiä varaosia.

Tuotekuvaus

- Dvd-soitin, jossa kaksi 7":n widescreen-näyttöä.
- Kiinteät kaiuttimet.
- Liitännät usb- ja SD-muisteille ja kuulokkeille.
- Kaukosäätimen paristo (1 kpl CR2025) myydään erikseen.
- Toimii mukana tulevalla muuntajalla ja 12 V:n savukkeensytytinkaapelilla.
- Mukana näyttökaapelit, hinnat niskatukiasennukseen ja laukku.
- Last memory -toiminto: Laite jatkaa dvd-levyn toistamista siitä kohdasta, jolla levy oli, virran katketessa (esim. kun auton virta sammutetaan).

Tekniset tiedot

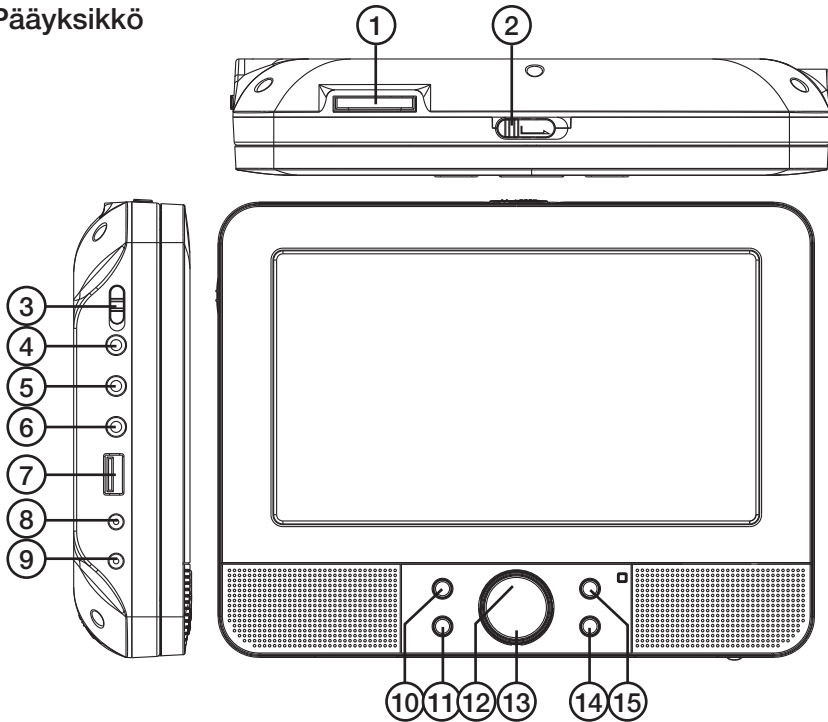
Verkkoliitäntä	100–240 V AC, 50/60 Hz tai 12 V
Tehonkulutus	< 15 W
Pääyksikön mitat	190 × 140 × 39 mm
Toisen näytön mitat	190 × 140 × 23 mm
Näytöt	2 × 7"
Ulostuloliitännät	Videolähtö 1,0 V (p-p) / 75 Ω Audiolähtö 1,0 V rms (1 kHz, 0 dB)
Antoteho	Kaiuttimet 2 × 1 W, 3,5 mm:n kuulokeliitäntä
Kaukosäädin	1 × CR 2025 -paristo
Järjestelmä	
Laser	Puolijohdelaser, aallonpituus 650 nm
Järjestelmä	PAL/NTSC
Taajuusalue	20 Hz – 20 kHz (±1 dB)
Taajuusvaste	Yli 80 dB (analoginen ulostulo)
Dynamiikka	Yli 85 dB (dvd/cd)

Kierrätys

Kierrätä tuote asianmukaisesti, kun poistat sen käytöstä. Tarkempia kierrätysohjeita saat kuntasi jäteneuvonnasta.

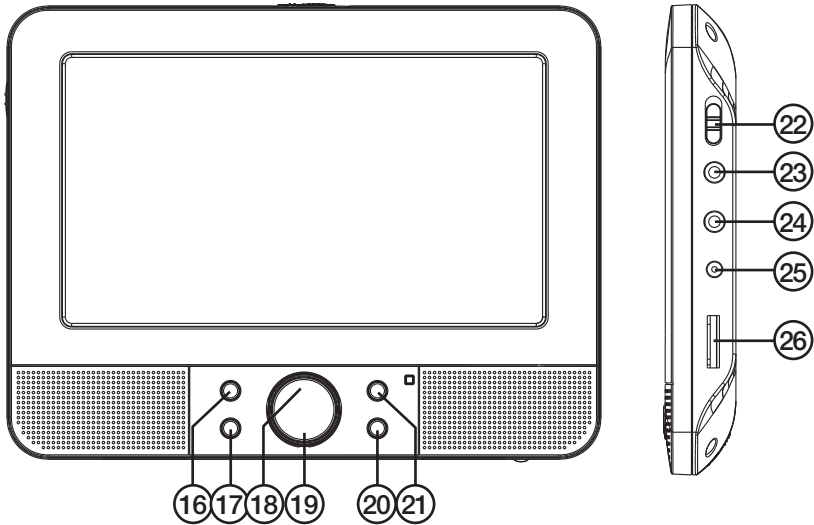
Painikkeet ja toiminnot

Pääyksikkö



1. Muistikortin liitäntä
2. Cd-/dvd-levyn luukun avaaminen
3. [ON/OFF] Virta päälle/pois
4. 3,5 mm:n kuulokeliitäntä
5. AV-ulostulo
6. Koaksiaaliääniliitäntä
7. Liitäntä USB-muistille
8. 9–12 V:n ulostulo mukana tulevan toisen näytön liittämiseen
9. 9–12 V:n tuloliitäntä mukana tulevalle muuntajalle tai 12 V:n johdolle
10. [◀ VOL-] Siirry vasemmalle, vähennä äänenvoimakkuutta cd/dvd-toistossa ja videotoistossa usb-muistilta ja muistikortilta. Kun musiikkia toistetaan usb-muistilta ja muistikortilta, äänenvoimakkuutta ohjataan kaukosäätimellä.
11. [ENTER] Valikon valinnan vahvistaminen, toiston aloittaminen pääyksiköstä
12. [▲/▶▶] Siirry ylöspäin, siirry seuraavaan kappaleeseen/raitaan
13. [▼/◀◀] Siirry alaspäin, siirry edelliseen kappaleeseen/raitaan
14. [SOURCE] Toistolähteen valinta: CD/DVD, USB-muisti tai muistikortti
15. [VOL+ ▶] Siirry oikealle, lisää äänenvoimakkuutta cd/dvd-toistossa ja video-toistossa usb-muistilta tai muistikortilta. Kun musiikkia toistetaan usb-muistilta tai muistikortilta, äänenvoimakkuutta ohjataan kaukosäätimellä.

Toinen näyttö



16. [◀] Siirry ja vähennä arvoja toisen näytön MODE- ja OPTION-valikoissa.
17. [BACKLIGHT] Päälle/pois: Jos painike on AV-tilassa, näytöllä ei näy kuvaa.
18. [▲] Siirry ylöspäin ylimääräisen näytön MODE-valikossa.
19. [▼] Siirry alaspäin ylimääräisen näytön MODE-valikossa.
20. Avaa ylimääräisen näytön MODE-valikko. Paina uudelleen avataksesi OPTION-valikon.

MODE-valikossa on seuraavat asetukset:

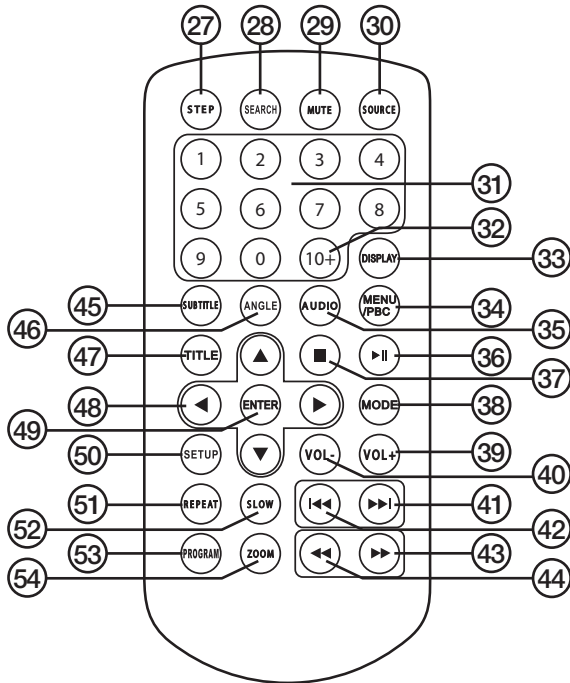
- Bright: Valonvoimakkuus
- Contrast: Kontrasti
- Color: Väri
- English: Kieli
- Reset: Tehdasasetusten palauttaminen

OPTION-valikossa voi valita kuvasuhteeksi 16:9 tai 4:3

Navigoi, muuta arvoja ja tee asetuksia [▶][◀][▼][▲] -painikkeilla

21. [▶] Navigoi ja lisää arvoja ylimääräisen näytön MODE- ja OPTION-valikoissa.
22. [ON/OFF] Virta päälle/pois
23. 3,5 mm:n kuulokeliitäntä
24. Pääyksikön AV-signaalin sisääntulo
25. Pääyksikön virtakaapelin sisääntulo
26. Äänenvoimakkuus

Kaukosäädin



27. [STEP] Pysäytyskuvan näyttäminen, paina [STEP] siirtyäksesi eteenpäin ruutu ruudulta.
28. [SEARCH] Siirry seuraavaan kohtaan DVD-levyssä, arvoina aika, kappale tai nimike. Paina useita kertoja kirjoittaaksesi ajan, kappaleen tai nimikkeen.
29. [MUTE] Äänen mykistys
30. [SOURCE] Toistolähteen valinta: dvd, usb-muisti tai muistikortti.
31. [1–9] Numeropainikkeet, joiden avulla voit valita numeroidun tiedoston toistolistalta, muut numerokomennot, salasanan ym.
32. [10+] Syötä kaksinumeroiset luvut.
33. [DISPLAY] Paina useita kertoja valitaksesi millä tavalla toisto-aika näytetään.
34. [MENU/PBC] Dvd-valikon avaaminen, PBC (Playback control) päällä/pois päältä. PBC-toimintoa käytetään VCD-levyjen (Video-cd) ohjaamiseen kaukosäätimellä.
Huom.! Kaikilla VCD-levyillä ei ole PBC-toimintoja.
35. [AUDIO] Paina useita kertoja vaihtaaksesi kieltä tai ääniraitaa, jos levy tukee tätä toimintoa.
36. [||▶] Play, pause
37. [■] Stop
38. [MODE] Valonvoimakkuuden, kontrastin, värisävyn ja värikylläisyyden asettaminen.

39. [VOL+] Lisää äänenvoimakkuutta
40. [VOL-] Alenna äänenvoimakkuutta
41. [▶▶] Siirry seuraavaan kappaleeseen/raitaan.
42. [◀◀] Palaa edelliseen kappaleeseen/raitaan.
43. [▶▶] Pikakelaa DVD-toistossa ja mediatiedostojen toistossa eteenpäin 2-, 4-, 8-, 16- tai 32-kertaisella nopeudella.
44. [◀◀] Pikakelaa dvd-toistossa ja mediatiedostojen toistossa taaksepäin 2-, 4-, 8-, 16- tai 32-kertaisella nopeudella.
45. [SUBTITLE] Paina useita kertoja vaihtaaksesi tekstityskieltä dvd-toiston aikana, jos levy tukee tätä toimintoa.
46. [ANGLE] Katso tallennettua videomateriaalia eri kamerakulmista, jos levy tukee tätä toimintoa.
47. [TITLE] Palaa dvd-levyn nimikevalikkoon, jos levy tukee tätä toimintoa.
48. [▲][▼][◀][▶] Navigaatiopainikkeet
49. [ENTER] Vahvista valikon valinta
50. [SETUP] Avaa valikon perusasetukset.
51. [REPEAT]
- DVD:** Uudelleentoiston valinta: kappale, senhetkinen nimike, kaikki nimikkeet tai uudelleentoiston sammutus.
- VCD:** Uudelleentoiston valinta: yksi tiedosto, kaikki tiedostot tai uudelleentoiston sammutus.
- Cd, mp3:** Uudelleentoiston valinta: senhetkinen nimike, koko kansio tai uudelleentoiston sammutus.
52. [SLOW] Paina useita kertoja [SLOW] valitaksesi toistonopeudeksi 1/2, 1/4 1/8, 1/16 tai normaali nopeus.
53. [PROGRAM] Suosikkikappaleen/raidan ohjelmointi. Syötä otsikko, kappale tai raidan numero numeropainikkeilla ja valitse valikosta **PLAY**. Palaa normaaliin toistoon painamalla [PROGRAM] ja valitsemalla valikosta **CLEAR**. Poistu ohjelmavalikosta painamalla uudelleen [PROGRAM].
54. [ZOOM]
- DVD, VCD:** Zoomaa kuvaa toiston tai tauon aikana. Jokainen painallus suurentaa ja pienentää kuvaa seuraavassa järjestyksessä: 2 X, 3 X, 4X suurennus, 1/2, 1/3, 1/4 pienennys, normaali koko.
- JPEG:** Paina [ZOOM] ja sen jälkeen [◀◀] tai [▶▶] suurentaaksesi/ pienentääksesi kuvaa. Siirry suurennetuissa kuvassa painamalla [▶][◀][▼][▲].

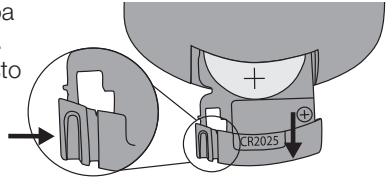
Käytön aloittaminen

Kaukosäädin

Aseta kaukosäätimeen paristo (CR2025).

Huom.! Vain pääyksikkö vastaanottaa kaukosäätimen signaaleja.

1. Paina oikealla puolella olevaa napsautuslukkoa ja vedä samalla paristopidikettä suoraan ulos.
2. Aseta paristo (CR2025) ja varmista, että paristo tulee napaisuusmerkintöjen mukaisesti.



3. Liitä virtajohto dvd-soittimeen ja seinäpistorasiaan (100–240 V, 50/60 Hz), tai liitä 12 V:n johto 12 V:n liitäntään ja dvd-soittimeen.

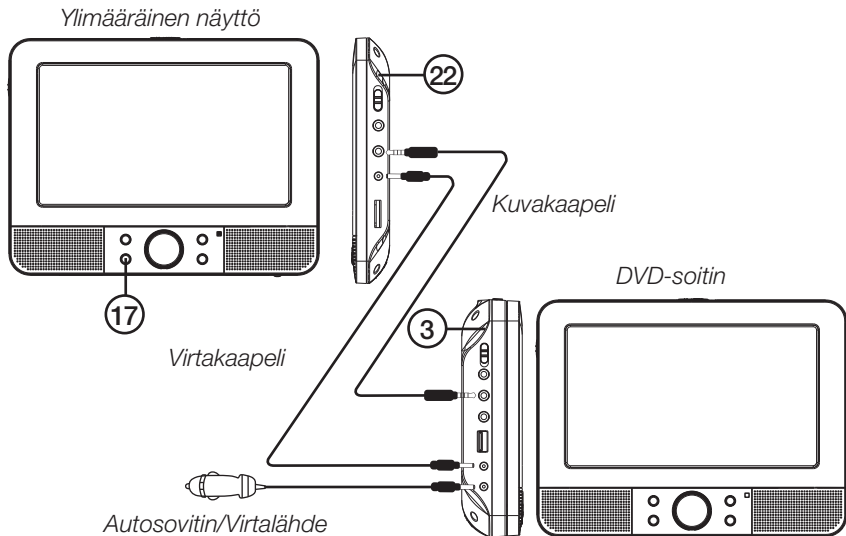
Ylimääräisen näytön liittäminen

Liitä pakkauksessa oleva kaapeli virran, kuvan ja äänen siirtämiseksi pääyksikön ja ylimääräisen näytön välillä.

Huom.! Ota huomioon:

Sekä pääyksikön että ylimääräisen näytön virtakytkinten (3) ja (22) tulee olla päällä.

1. Ylimääräisen näytön [BACKLIGHT] (17) -painike tulee olla asennossa **ON**, jotta kuva näkyy.
2. Varmista, että virta-/kuva-/äänikaapeli on liitetty kunnolla sekä dvd-soittimeen että ylimääräiseen näyttöön.



Käyttö

Perusasetukset

1. Siirry asetusvalikkoihin painamalla [SETUP].
2. Siirry valikossa ja siirry oikealle oleviin alavalikkoihin painamalla [▶][◀][▼][▲], ja tee haluamasi asetukset.
3. Kun olet saanut valmiiksi asetukset esim. kohdassa GENERAL SETUP PAGE, paina [◀] palataksesi pääkategorioihin.
4. Vahvista painamalla [ENTER].
5. Paina uudelleen [SETUP] poistuaksesi valikosta.

Pääkategoriat ja alavalikot

GENERAL SETUP PAGE

Alavalikoiden yleiset asetukset

- **TV Display:** Kuvasuhteen sovittaminen:
- **Angle Mark:** Videomateriaalin tallentamisessa käytettyjen kamerakulmien näyttäminen tai sammuttaminen, jos levy tukee tätä toimintoa.
- **OSD Language:** Valitse haluamasi OSD-kieli.
- **Closed caption:** Näytä tai sammuta piilotettu tekstitys, jos levy ja TV tukevat tätä toimintoa.
- **Screensaver:** Käynnistä tai sammuta näytönsäästäjä.
- **Last memory:** Käynnistä tai sammuta toiminto, jossa dvd-soitin aloittaa levyn toiston kohdasta, jossa se oli, kun dvd-soitin sammutettiin (esim. kun auton virta sammutettiin).

ANALOG AUDIO SETUP PAGE

Alavalikoiden ääniasetukset:

- **Downmix:** Analogisen äänen asetus.
 - LT/RT: Käytetään jos dvd-soitin on liitetty Dolby Pro Logic surround -laitteistoon.
 - STEREO: Valitaan silloin, kun käytetään dvd-soittimen omia kaiuttimia.
- **Digital Output:** Digitaalisen äänen asetus.
 - SPDIF Off: SPDIF-äänien sammuttaminen.
 - SPDIF/RAW: Käytetään, jos dvd-soitin on liitetty digitaalisen ääniliitännän kautta monikanavaiseen surround-laitteistoon.
 - SPDIF/PCM: Käytetään, jos liitetty laitteisto ei ole yhteensopiva monikanavastereon kanssa.
- **Dolby Digital:** 5.1-äänien asetusten valinta Dual Mono, Stereo, L-mono, R-mono, Mix-mono ja Dynamic.

VIDEO SETUP PAGE

Alavalikoiden videoasetukset:

- **Brightness:** Valonvoimakkuus
- **Contrast:** Kontrasti
- **Hue:** Värisävy
- **Saturation:** Värikylläisyys

PREFERENCE PAGE

Omat asetukset alavalikoissa:

Huom.! Asetuksia voidaan tehdä vain, kun toisto on keskeytetty.

- **TV-tyyppi:** Valitse TV-järjestelmä PAL, NTSC tai AUTO.
- **Audio:** Valitse äänen kieli, jos levy tukee tätä toimintoa.
- **Subtitle:** Valitse tekstityskieli, jos levy tukee tätä toimintoa.
- **Disc menu:** Valitse levyn valikon kieli, jos levy tukee tätä toimintoa.
- **Parental:** Lapsilukko. Lapsilukko vaatii salasanan:

Huom.! Esiasetettu salasana on 1369.

Aseta "lapsilta kielletyn materiaalin" taso, jos levy tukee tätä toimintoa. Tasot ovat: 1 "sallittu" – 8 "kielletty". Joillakin levyillä toiminto on osassa levyä tai koko levyllä. Näillä levyillä lapsilukon taso voidaan asettaa levyn osalle tai koko levyllä.

Huom.! Tasot ovat riippuvaisia käyttömaasta, ja toimivat vain, jos dvd-levy tukee tätä toimintoa. VCD-, SVCD- ja CD-levyt eivät tue tätä toimintoa. Useimmat laittomat dvd-levyt eivät myöskään tue tätä toimintoa. Toiminto saattaa puuttua joistakin dvd-levyistä, vaikka pakkauksessa olisi ikärajamerkintä.

- **Default:** Dvd-soittimen tehdasasetusten palautus.

PASSWORD

Salasana-asetukset alavalikoissa:

- **Password Mode:** Salasanatoiminnon sammuttaminen ja käynnistäminen.
Huom.! Jos salasanatoiminto on sammutettu, "Lapsilta kielletyn materiaalin" tason muuttamiseen ei tarvita salasanaa.
- **Password:** Salasanan vaihtaminen:
 1. Syötä ensin vanha salasana "Old password"-ruutuun kaukosäätimen numeropainikkeilla. Osoitin siirtyy kohtaan "New password".
 2. Syötä uusi salasana. Salasanassa tulee olla neljä numeroa.
 3. Osoitin siirtyy kohtaan "Confirm password".
 4. Vahvista uusi salasana syöttämällä se uudelleen (jos syötät väärän salasanan, osoitin jää ruutuun).
 5. Osoitin aktivoi OK-painikkeen, vahvista ja lopeta painamalla [ENTER].

Huom.! Jos salasana muutetaan, myös lapsilukon salasana muuttuu.

Esiasetettua salasanaa (1369) voidaan aina käyttää, vaikka salasana olisi vaihdettu.

Toisto

1. Paina [SOURCE] ja valitse haluamasi toistolähde, cd, dvd, muistikortti tai usb-muisti.
2. Navigoi ja ohjaa toistoa kohdassa *Painikkeet ja toiminnot* kuvatulla tavalla.

Huolto ja ylläpito

Puhdistus

- Irrota muuntaja pistorasiasta ennen laitteen puhdistamista.
- Varmista, että laitteeseen ei pääse kosteutta.
- Käytä kevyesti kostutettua liinaa ja mietoa pesuainetta, kun puhdistat laitteen kotelo.
- Älä käytä hiovia puhdistusaineita, liuottimia tai syövyttäviä aineita.
- Näytön puhdistamiseen on saatavilla erilaisia tuotteita.

Käsittele levyjä oikein

- Pitele levyä reiästä ja reunasta. Näin vältät sormenjälkien ja lian kertymisen levyn pintaan.
- Älä taivuta levyä äläkä altista sitä suoralle auringonvalolle tai muulle lämmönlähteelle.
- Puhdista levyt kuivalla ja pehmeällä liinalla keskeltä ulospäin. Älä käytä puhdistusaineita tai vahvoja liuottimia.
- Säilytä levyjä kotelossa.

Vianhakutaulukko

<p>Soitin ei käynnisty tai kytkeytyy pois päältä.</p>	<ul style="list-style-type: none"> • Varmista, että muuntaja ja muuntajan johto ovat ehjiä, ja että ne on liitetty oikein pistorasiaan ja dvd-soittimeen. • Tarkasta, että pistorasiassa on virtaa. • Jos käytät 12 V:n johtoa, varmista, että se on kunnossa ja oikein liitetty 12 V:n liitäntään ja dvd-soittimeen. • Varmista, että 12 V:n liitännässä on virtaa. Huom.! Joissakin autoissa sytytysvirran tulee olla päällä, jotta 12 V:n liitännästä saadaan virtaa. • Käynnistä laite uudelleen painamalla se pois päältä ja takaisin päälle virtakytkimestä.
<p>Soitin ei reagoi kaukosäätimeen.</p>	<ul style="list-style-type: none"> • Varmista, että kaukosäätimen paristo ei ole lopussa. • Varmista, että paristo on oikein päin kaukosäätimen paristolokerossa. • Varmista, että suuntaat kaukosäätimen dvd-soittimen (pääyksikön) etupuolen tunnistinta kohti. • Varmista, että mitkään esineet eivät ole kaukosäätimen signaalin esteenä, ja että et ole liian kaukana dvd-soittimesta.
<p>Ei kuvaa tai ei ääntä.</p>	<ul style="list-style-type: none"> • Varmista, että molempien näyttöjen virtapainikkeet ovat päällä, ja että ylimääräisen näytön BACKLIGHT-painike on ON-asennossa. • Varmista, että mahdolliset ääni- ja kuvakaapelit ovat ehjiä ja että ne on liitetty oikein. • Tarkasta, että toistettava levy on tyyppiä: dvd, dvd-r, dvd-rw tai cd. • Tarkista, että levy on ehjä eikä siinä ole naarmuja. Tarkista myös, että se on asetettu etikettipuoli ylöspäin. • Tarkista, ettei dvd-soittimen laserlukupää ole likainen. Jos se on likainen, ota yhteyttä asiakaspalveluun. • Varmista, että televisio on asetettu oikealle kanavalle (video, av tms.) • Vaihda mediatiedostoa, jotkut tiedostot saattavat olla vioittuneita tai heikkolaatuisia.
<p>Ääni ei kuulu.</p>	<ul style="list-style-type: none"> • Varmista, että kaikki kaapelit ovat ehjiä ja että ne on asennettu oikein. • Vaihda mediatiedostoa, jotkut tiedostot saattavat olla vioittuneita tai heikkolaatuisia.
<p>Huono ääni ja/tai huono kuva.</p>	<ul style="list-style-type: none"> • Varmista, että kaikki kaapelit ovat ehjiä ja että ne on liitetty oikein. • Tarkista levyn kunto. Käytä ehjää ja naarmutonta levyä. • Vaihda mediatiedostoa, jotkut tiedostot saattavat olla vioittuneita tai heikkolaatuisia.

7"-DVD/MPEG4-Player mit zwei Displays

Art.Nr. 18-8265 Modell PDVD-163BHD2P-UK
38-4567 PDVD-163BHD2P

Vor Inbetriebnahme die komplette Bedienungsanleitung durchlesen und aufbewahren. Irrtümer, Abweichungen und Änderungen behalten wir uns vor. Bei technischen Problemen oder anderen Fragen freut sich unser Kundenservice über eine Kontaktaufnahme (Kontakt siehe Rückseite).

Sicherheitshinweise



LASERGERÄT DER KLASSE 1

Achtung: Niemals versuchen, das Gehäuse zu öffnen! Unsichtbare Laserstrahlen können zu Augenschäden führen. Direkte Blicke in den Laserstrahl sind zu vermeiden. Der Laserstrahl darf auch nicht direkt mit optischen Instrumenten betrachtet werden.

- Das Gerät darf nicht demontiert oder anderweitig verändert werden. Im Inneren des Produkts befinden sich nicht isolierte Komponenten mit gefährlicher Stromspannung. Bei Kontakt können diese zu Bränden oder Stromschlägen führen.
- Der Stromschalter ist sekundär geschaltet und unterbricht nicht die Verbindung zur Netzspannung.
- Die Netzsteckdose sollte leicht zugänglich sein, da das Gerät durch Abziehen des Netzadapters ausgeschaltet wird.
- Das Gerät niemals hohen Temperaturen, staubigen Umgebungen, starken Erschütterungen oder Feuchtigkeit aussetzen.
- Das Gerät immer so aufstellen, dass es nicht in Wasser oder andere Flüssigkeiten fallen kann. Niemals Gegenstände mit Flüssigkeiten (z.B. Blumenvasen oder Getränke) auf das Produkt stellen.
- Die Anlage nicht zudecken. Ventilationsschlitze und sonstige Öffnungen dürfen nicht blockiert werden.
- Das Gerät so aufstellen, dass eine ungehinderte Luftzirkulation gewährleistet ist. Eine ausreichende Belüftung ist erforderlich, um ein Überhitzen des Geräts zu verhindern.
- Das Gerät nicht auf einem weichen Untergrund platzieren, z.B. auf einer Decke oder einem Kissen. Um die notwendige Kühlung zu gewährleisten, ist eine feste Unterlage zu wählen.
- Das Gerät ist nur zur Verwendung in Innenräumen geeignet.
- Keine schweren und/oder scharfen Gegenstände auf dem LCD-Bildschirm platzieren.
- Wird ein USB-Kabel verwendet, z.B. um einen Mediaplayer anzuschließen, darf dies nicht länger als 25 cm sein.
- Ausschließlich den mitgelieferten Netzadapter verwenden.
- Niemals das Netzkabel zweckentfremden. Das Netzkabel nicht über scharfe Kanten ziehen oder klemmen und vor Wärme schützen.

- Während der Nacht oder bei längerem Nichtgebrauch den Netzadapter aus der Steckdose ziehen.
- Das Gehör schützen. Das Hören mit hoher Lautstärke über längere Zeiträume kann zur dauerhaften Schädigung des Gehörs führen.
- Das Gerät ist nicht für Personen mit eingeschränkten physischen, sensorischen oder geistigen Fähigkeiten bzw. mangelnder Erfahrung/Wissen geeignet.
- Bei Geruchsbildung oder Überhitzung ist das Gerät sofort auszuschalten. Es darf erst nach sorgfältiger Prüfung durch einen Fachmann wieder in Betrieb genommen werden.
- Reparaturen unbedingt qualifizierten Servicetechnikern überlassen. Ausschließlich Original-Ersatzteile verwenden.

Produktbeschreibung

- 7"-DVD-Player mit zwei Displays.
- Integrierte Lautsprecher.
- Anschluss für USB-Speicher und Kopfhörer sowie Steckplatz für SD-Karte.
- Fernbedienung (1 × CR2025-Batterie, separat erhältlich).
- Betrieb mit beiliegendem Netzadapter für zu Hause oder 12-V-Kabel fürs Auto.
- Displaykabel, Riemen zur Montage an z.B. einer Nackenstütze sowie Tasche sind im Lieferumfang enthalten.
- Last-Memory-Funktion: Die Wiedergabe der DVD wird an dem Punkt fortgesetzt, an dem zuvor die Stromzufuhr unterbrochen wurde (z.B. durch Drehen des Fahrzeugzündschlüssels).

Technische Daten

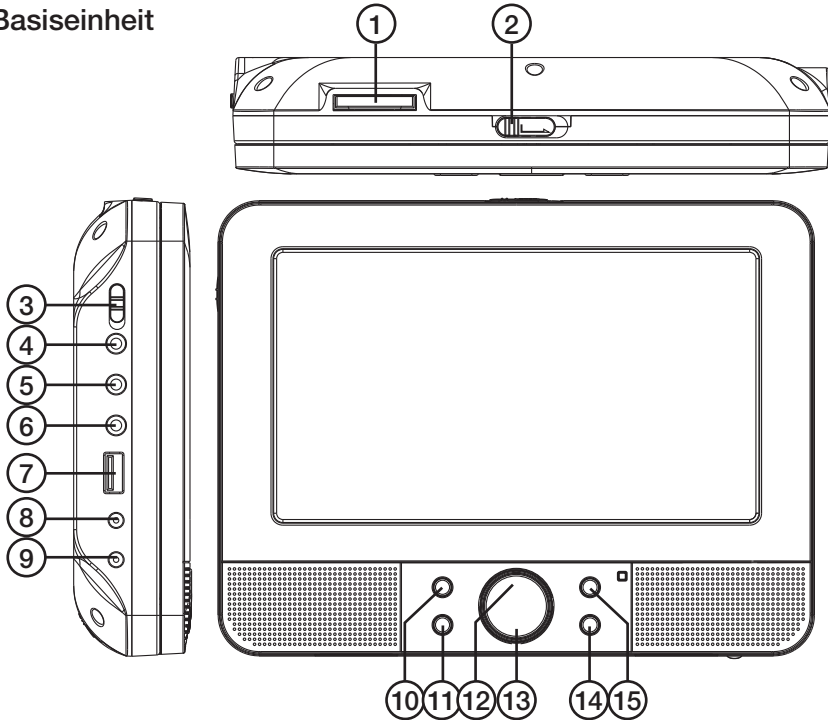
Stromversorgung	100–240 V AC, 50/60 Hz oder 12 V
Leistungsaufnahme	< 15 W
Abmessungen Basiseinheit	190 × 140 × 39 mm
Abmessungen Zweitbildschirm	190 × 140 × 23 mm
Display	2 × 7" (18 cm)
Ausgänge	Videoausgang 1,0 V (p-p)/75 Ω Audioausgang 1,0 V rms (1 kHz, 0 dB)
Ausgangsleistung	Lautsprecher 2 × 1 W, 3,5 mm Kopfhörerausgang
Fernbedienung	1 × CR2025-Batterie
System	
Laser	Halbleiterlaser, Wellenlänge 650 nm
Signalsystem	PAL/NTSC
Frequenz	20 Hz bis 20 kHz (±1 dB)
SNR-Niveau	Besser als 80 dB (analoger Ausgang)
Dynamik	Besser als 85 dB (DVD/CD)

Hinweise zur Entsorgung

Bitte das Produkt entsprechend den lokalen Bestimmungen entsorgen. Weitere Informationen sind von der Gemeinde oder den kommunalen Entsorgungsbetrieben erhältlich.

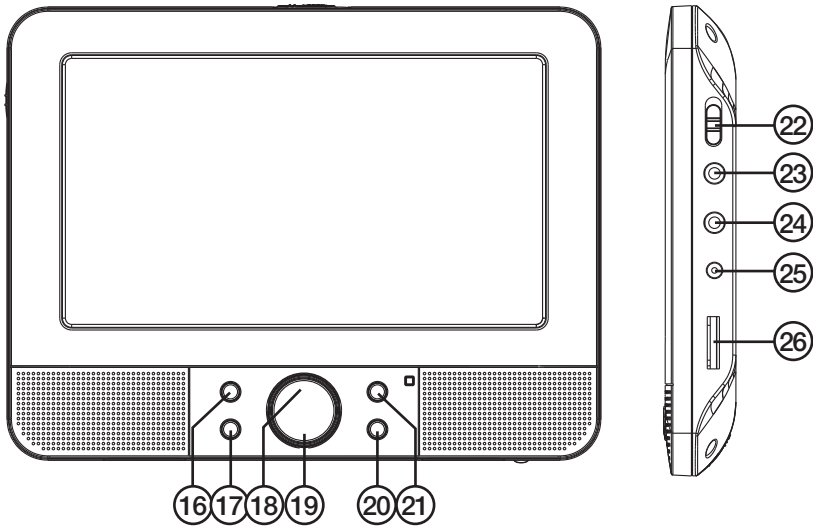
Tasten und Funktionen

Basiseinheit



1. Steckplatz für Speicherkarte
2. Öffnet das CD/DVD-Fach
3. [ON/OFF] Ein/Aus
4. 3,5-mm-Kopfhöreranschluss
5. AV-Ausgang
6. Koaxialer Audioausgang
7. USB-Anschluss
8. 9–12-V-Ausgang für den Anschluss des Zweitbildschirms
9. 9–12-V-Eingang für Netzadapter oder 12-V-Kabel
10. [◀ VOL–] Navigation nach links, Senken der Lautstärke bei der Wiedergabe von CD/DVD sowie von Videos von USB-Speicher und Speicherkarte. Bei der Musikwiedergabe von USB-Speicher und Speicherkarte wird die Lautstärke über die Fernbedienung geregelt.
11. [ENTER] Menüwahl bestätigen, Wiedergabe von der Basiseinheit starten
12. [▲/▶▶] Navigation nach oben, Blättern zum nächsten Kapitel/Track
13. [▼/|◀◀] Navigation nach unten, Blättern zum vorherigen Kapitel/Track
14. [SOURCE] Wahl der Wiedergabequelle: CD/DVD, USB-Speicher oder Speicherkarte
15. [VOL+▶] Navigation nach rechts, Erhöhen der Lautstärke bei der Wiedergabe von CD/DVD sowie von Videos von USB-Speicher und Speicherkarte. Bei der Musikwiedergabe von USB-Speicher und Speicherkarte wird die Lautstärke über die Fernbedienung geregelt.

Zweitbildschirm



16. [◀] Navigation und Reduzieren der Werte in den MODE- und OPTION-Menüs des Zweitbildschirms
17. [BACKLIGHT] Ein/Aus: Bei „Aus“ wird kein Bild auf dem Bildschirm angezeigt.
18. [▲] Navigation nach oben im MODE-Menü des Zweitbildschirms
19. [▼] Navigation nach unten im MODE-Menü des Zweitbildschirms
20. MODE-Menü des Zweitbildschirms öffnen. Erneut betätigen, um das OPTION-Menü zu öffnen.

Im MODE-Menü lassen sich folgende Einstellungen vornehmen:

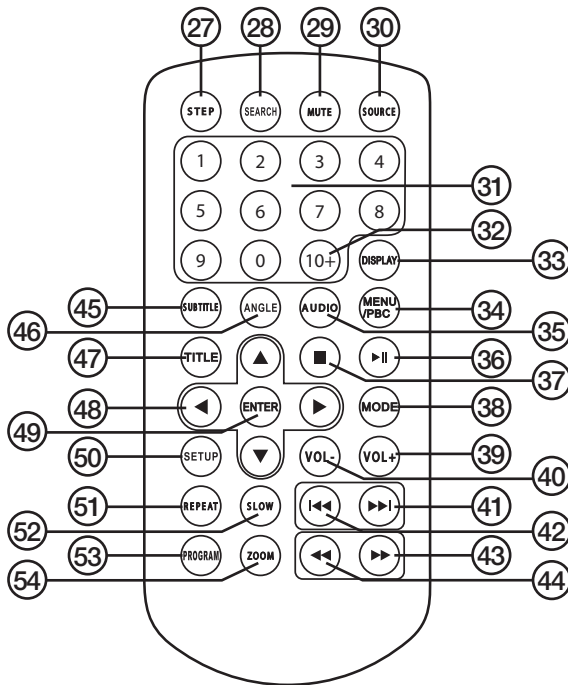
- Bright: Helligkeit
- Contrast: Kontrast
- Color: Farbe
- English: Sprache
- Reset: auf die Werkseinstellung zurücksetzen

Im OPTION-Menü kann das Seitenverhältnis 16:9 oder 4:3 gewählt werden.

Zur Navigation, Änderung der Werte und für Einstellungen werden die Tasten [▶][◀][▼][▲] verwendet.

21. [▶] Navigation und Erhöhen der Werte in den MODE- und OPTION-Menüs des Zweitbildschirms
22. [ON/OFF] Ein/Aus
23. 3,5-mm-Kopfhöreranschluss
24. Eingang für AV-Signale von der Basiseinheit
25. Eingang für das Stromkabel der Basiseinheit
26. Lautstärke

Fernbedienung



27. [STEP] Standbild anzeigen. [STEP] betätigen, um Einzelbild für Einzelbild anzuzeigen.
28. [SEARCH] Zu einem bestimmten Punkt im Film springen (Zeitpunkt, Kapitel oder Titel). Wiederholt betätigen, um Zeitpunkt, Kapitel oder Titel einzugeben.
29. [MUTE] Stummschaltung
30. [SOURCE] Wahl der Wiedergabequelle: DVD, USB-Speicher oder Speicherkarte.
31. [1–9] Zifferntasten zur Auswahl nummerierter Dateien in einer Playlist, für sonstige Zahlenbefehle, Kennwort usw.
32. [10+] Zur Eingabe von Zehnerzahlen
33. [DISPLAY] Wiederholt betätigen, um den Anzeigemodus der Wiedergabedauer zu wählen.
34. [MENU/PBC] DVD-Menü öffnen, PBC (Playback Control) ein-/ausschalten. Mithilfe von PBC kann die Fernbedienung zur Steuerung der Wiedergabe von VCDs (Video-CDs) verwendet werden. **Hinweis:** Nicht alle VCDs unterstützen die PBC-Funktionen.
35. [AUDIO] Wiederholt betätigen, um die Sprache oder Tonspur zu ändern, sofern die DVD diese Funktion unterstützt
36. [||▶] Wiedergabe, Pause
37. [■] Beenden

38. [MODE] Helligkeit, Kontrast, Farbtönung und Farbsättigung einstellen.
39. [VOL+] Lautstärke erhöhen
40. [VOL-] Lautstärke senken
41. [▶▶] Zum nächsten Kapitel/Track blättern
42. [◀◀] Zum vorherigen Kapitel/Track blättern
43. [▶▶] Schneller Vorlauf bei der Wiedergabe von DVD-Filmen und Mediadateien mit 2-, 4-, 8-, 16- oder 32-facher Geschwindigkeit.
44. [◀◀] Schneller Rücklauf bei der Wiedergabe von DVD-Filmen und Mediadateien mit 2-, 4-, 8-, 16- oder 32-facher Geschwindigkeit.
45. [SUBTITLE] Wiederholt betätigen, um die Sprache der Untertitel während der Wiedergabe zu ändern, sofern die DVD diese Funktion unterstützt.
46. [ANGLE] Filme aus verschiedenen Kamerawinkeln ansehen, sofern dies von der DVD unterstützt wird.
47. [TITLE] Zum Titelménü der DVD zurückkehren, sofern vorhanden.
48. [▲][▼][◀][▶] Navigationstasten
49. [ENTER] Menüwahl bestätigen
50. [SETUP] Einstellungsménü öffnen
51. [REPEAT]

DVD: Kapitel, aktuellen Titel oder alle Titel wiederholen oder die Wiederholung beenden.

VCD: Eine Datei oder alle Dateien wiederholen oder die Wiederholung beenden.

CD, MP3: Aktuellen Titel oder gesamtes Verzeichnis wiederholen oder die Wiederholung beenden.

52. [SLOW] Wiederholt betätigen, um die Wiedergabegeschwindigkeit zu wählen: 1/2, 1/4, 1/8, 1/16 oder normale Geschwindigkeit.
53. [PROGRAM] Lieblingskapitel/-tracks programmieren. Mithilfe der Zifferntasten Titel, Kapitel oder Tracknummer eingeben und im Menü **PLAY** wählen. Um zur normalen Wiedergabe zurückzukehren, [PROGRAM] betätigen und im Menü **CLEAR** wählen. Erneut [PROGRAM] betätigen, um das Programménü zu verlassen.
54. [ZOOM]

DVD, VCD: Während der Wiedergabe oder im Pausenmodus in das Bild hinein-/herauszoomen. Jede Betätigung vergrößert und verkleinert das Bild wie folgt:

Vergrößerung 2-fach, 3-fach, 4-fach – Verkleinerung 1/2, 1/3, 1/4 – normale Größe.

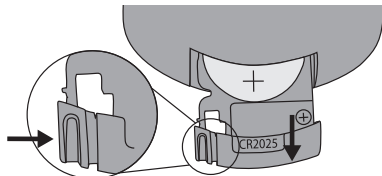
JPEG: [ZOOM] und dann [◀◀] oder [▶▶] betätigen, um das Bild zu verkleinern/vergrößern. Zum Navigieren im vergrößerten Bild [▶][◀][▼][▲] betätigen.

Bedienung

Fernbedienung

Hinweis: Nur die Basiseinheit kann die Signale der Fernbedienung empfangen.

1. Den Schnappverschluss nach rechts drücken und gleichzeitig den Batteriehalter gerade herausziehen.
2. Eine CR2025-Batterie einlegen und darauf achten, dass das + an der Batterie mit der +-Markierung am Batteriehalter übereinstimmt.
3. Das Netzkabel an den Eingang am DVD-Player und den Netzadapter an eine Steckdose (100–240 V, 50/60 Hz) anschließen. Alternativ das 12-V-Kabel an eine 12-V-Stromquelle und an den Eingang am DVD-Player anschließen.

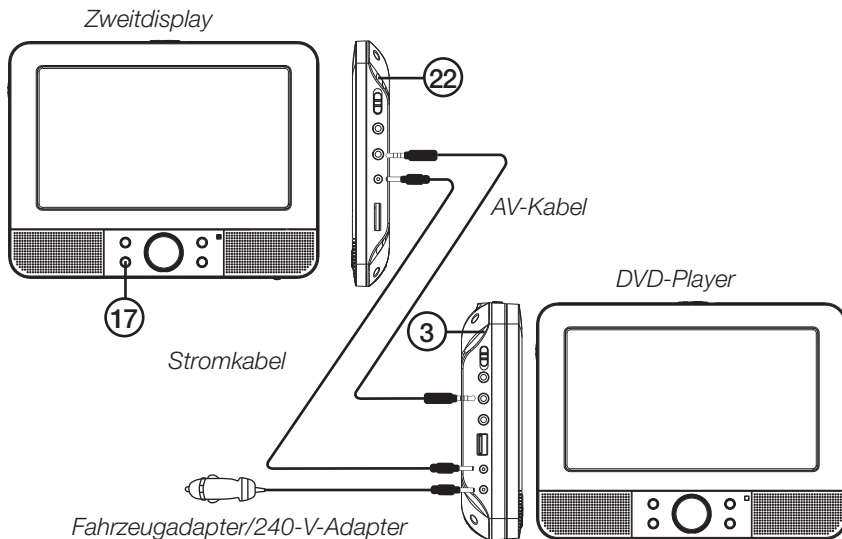


Zweites Display anschließen

Das im Lieferumfang enthaltene Kabel zur Übertragung von Strom, Bild und Ton zwischen Basiseinheit und zweitem Display anschließen.

Achtung: Die Ein-/Ausschalter (3) und (22) von Basiseinheit und Zweitdisplay müssen beide eingeschaltet sein.

1. Am Zweitbildschirm muss [BACKLIGHT] (17) in der Stellung **Ein** sein, damit das Bild angezeigt wird.
2. Sicherstellen, dass das Kabel zur Übertragung von Strom, Bild und Ton korrekt an DVD-Player und Zweitdisplay angeschlossen ist.



Betrieb

Grundeinstellungen

1. [SETUP] drücken, um das Einstellungsmenü zu öffnen.
2. Zum Navigieren, Öffnen der Untermenüs (rechts) und für die gewünschten Einstellungen [▶][◀][▼][▲] verwenden.
3. Sobald die Einstellungen z.B. unter GENERAL SETUP PAGE abgeschlossen sind, auf [◀] drücken, um zurück in die Hauptkategorien zu wechseln.
4. Die Wahl mit [ENTER] bestätigen.
5. [SETUP] erneut betätigen, um das Menü zu verlassen.

Hauptkategorien und Untermenüs

GENERAL SETUP PAGE

Allgemeine Einstellungen in folgenden Untermenüs:

- **TV Display:** Bildgröße anpassen.
- **Angle Mark:** Informationen über die bei der Aufzeichnung verwendeten Kamerawinkel anzeigen/nicht anzeigen, sofern diese Funktion von der DVD unterstützt wird.
- **OSD Language:** Gewünschte Sprache wählen.
- **Closed caption:** Untertitel einblenden/ausblenden, sofern diese auf der DVD enthalten sind und die Funktion vom angeschlossenen TV-Gerät unterstützt wird.
- **Screen saver:** Bildschirmschoner ein- oder ausschalten.
- **Last memory:** Die Funktion aktivieren/deaktivieren, mit der die Wiedergabe der DVD an dem Punkt fortgesetzt wird, an dem zuvor die Stromzufuhr unterbrochen wurde (z.B. durch Drehen des Fahrzeugzündschlüssels).

ANALOG AUDIO SETUP PAGE

Audioeinstellungen in folgenden Untermenüs:

- **Downmix:** Einstellung der analogen Audiosignale.
 - LT/RT: Wird genutzt, wenn der DVD-Player an eine Dolby Pro Logic Surround-Anlage angeschlossen ist.
 - STEREO: Wird genutzt, wenn die eigenen Lautsprecher des DVD-Players verwendet werden.
- **Digital output:** Einstellung der digitalen Audiosignale.
 - SPDIF Off: S/PDIF-Audiosignale ausschalten.
 - SPDIF/RAW: Wird genutzt, wenn der DVD-Player über den digitalen Audioausgang an eine Mehrkanal-Surroundanlage angeschlossen ist.
 - SPDIF/PCM: Wird genutzt, wenn die angeschlossene Anlage nicht für Mehrkanal-Stereo geeignet ist.
- **Dolby Digital:** 5.1 Audioeinstellungen: Dual Mono, Stereo, L-Mono, R-Mono, Mix-Mono und Dynamic.

VIDEO SETUP PAGE

Videoeinstellungen in folgenden Untermenüs:

- **Brightness:** Helligkeit
- **Contrast:** Kontrast
- **Hue:** Farbtönung
- **Saturation:** Farbsättigung

PREFERENCE PAGE

Eigene Einstellungen in folgenden Untermenüs:

Hinweis: Die Einstellungen können nur vorgenommen werden, wenn keine Wiedergabe erfolgt.

- **TV type:** TV-System wählen: PAL, NTSC oder AUTO
- **Audio:** Sprache für den Audioausgang wählen (falls verfügbar)
- **Subtitle:** Sprache für die Untertitel wählen (falls verfügbar)
- **Disc menu:** Sprache für das DVD-Menü wählen (falls verfügbar)
- **Parental:** Kindersicherung. Kennwort erforderlich.

Hinweis: Das werkseitig eingestellte Kennwort ist 1369. Die geeignete Stufe für „Nicht jugendfreies Material“ wählen, wenn die DVD diese Funktion unterstützt. Die Stufen reichen von 1 (für Kinder geeignet) bis 8 (nur für Erwachsene).

Einige DVDs unterstützen die Funktion für die ganze oder nur für Teile der DVD.

Bei diesen DVDs kann die Stufe für die gesamte DVD oder nur für bestimmte Teile gewählt werden. **Hinweis:** Die Stufen sind von Land zu Land unterschiedlich und lassen sich nur einstellen, wenn die DVD die Funktion unterstützt. VCDs, SVCDs und CDs haben diese Funktion nicht. Auch bei den meisten Raubkopien ist die Stufeneinstellung nicht möglich. Einige DVDs unterstützen die Funktion nicht, obwohl auf der Verpackung eine Altersbegrenzung angegeben ist.

- **Default:** Den DVD-Player auf die Werkseinstellung zurücksetzen.

PASSWORD

Kennwordeinstellung in folgenden Untermenüs:

- **Password mode:** Kennwortfunktion aktivieren oder deaktivieren.
Hinweis: Bei deaktivierter Kennwortfunktion ist kein Kennwort zur Änderung der Stufe für „Nicht jugendfreies Material“ erforderlich.
- **Password:** Kennwort ändern:
 1. Zunächst mithilfe der Zifferntasten der Fernbedienung im Feld „Old password“ das aktuell gültige Kennwort eingeben. Der Cursor wechselt zu „New password“.
 2. Das neue Kennwort eingeben. Das Kennwort muss aus 4 Ziffern bestehen.
 3. Der Cursor wechselt zu „Confirm password“.
 4. Zur Bestätigung das neue Kennwort nochmals eingeben (bei einer falschen Eingabe bleibt der Cursor im Feld stehen).
 5. Der Cursor aktiviert die OK-Schaltfläche.
Zum Bestätigen und Beenden [ENTER] drücken.

Hinweis: Bei Änderung des Kennworts ändert sich auch das Kennwort für die Kindersicherung. Das werkseitig eingestellte Kennwort (1369) kann immer verwendet werden, auch wenn das Kennwort geändert wird.

Wiedergabe

6. [SOURCE] betätigen und die gewünschte Wiedergabequelle wählen:
CD/DVD, Speicherkarte oder USB-Speicher.
7. Die Navigation und Steuerung der Wiedergabe erfolgt in der im Abschnitt *Tasten und Funktionen* beschriebenen Weise.

Pflege und Wartung

Reinigung

- Vor dem Reinigen stets den Stecker des Netzadapters ziehen.
- Darauf achten, dass keine Flüssigkeit in den DVD-Player gelangt.
- Zum Reinigen des Gehäuses nur ein leicht angefeuchtetes Tuch und mildes Reinigungsmittel verwenden.
- Niemals Lösungsmittel, ätzende oder scheuernde Reinigungsmittel benutzen.
- Produkte für die Bildschirmreinigung sind separat erhältlich.

Handhabung von DVDs

- Eine DVD immer an Mittelloch und Rand halten, um Fingerabdrücke und Verschmutzungen auf der Disc zu vermeiden.
- DVDs nicht verbiegen und vor direkter Sonneneinstrahlung oder anderen Wärmequellen schützen.
- DVDs nur mit einem trockenen, weichen Tuch von innen nach außen reinigen. Reinigungs- oder starke Lösungsmittel dürfen nicht verwendet werden.
- DVDs stets in einer Schutzhülle aufbewahren.

Fehlersuche

Das Gerät startet nicht oder schaltet sich plötzlich selbst ab.

- Sicherstellen, dass Netzadapter und -kabel intakt und korrekt an der Steckdose und am Gerät angeschlossen sind.
- Sicherstellen, dass die Steckdose stromführend ist.
- Bei Verwendung des 12-V-Kabels muss dieses intakt und ordnungsgemäß an einen 12-V-Anschluss und an den DVD-Player angeschlossen sein.
- Sicherstellen, dass der 12-V-Anschluss stromführend ist.
Hinweis: Bei einigen Fahrzeugen muss die Zündung eingeschaltet sein, um die Stromführung des 12-V-Anschlusses sicherzustellen.
- Das Gerät durch Aus- und Einschalten neu starten.

Das Gerät reagiert nicht auf die Betätigung der Fernbedienungstasten.	<ul style="list-style-type: none"> • Sicherstellen, dass die Batterie der Fernbedienung nicht erschöpft ist. • Sicherstellen, dass die Batterie der Fernbedienung korrekt eingesetzt wurde. • Sicherstellen, dass die Fernbedienung auf den Sensor an der Vorderseite des DVD-Players (Basiseinheit) gerichtet ist. • Sicherstellen, dass keine Gegenstände die Signale der Fernbedienung behindern und dass der Abstand zum DVD-Player nicht zu groß ist.
Kein Bild oder kein Ton.	<ul style="list-style-type: none"> • Die Ein/Aus-Schalter beider Bildschirme müssen auf Ein gestellt sein; auch der BACKLIGHT-Schalter am Zweitbildschirm ist auf Ein zu stellen. • Sicherstellen, dass eventuelle Bild- und Tonkabel intakt und korrekt angeschlossen sind. • Sicherstellen, dass das verwendete Medium eine DVD, DVD-R, DVD-RW oder CD ist. • Sicherstellen, dass die Disc intakt und kratzerfrei ist und mit dem Aufdruck nach oben eingelegt wurde. • Prüfen, ob der Laserabnehmer des DVD-Players verschmutzt ist. In diesem Fall den Kundendienst kontaktieren. • Sicherstellen, dass ein ggf. angeschlossenes TV-Gerät auf den richtigen Kanal eingestellt ist (Video, AV usw.) • Mediadatei wechseln; u.U. ist die Datei beschädigt oder von mangelhafter Qualität.
Kein Ton.	<ul style="list-style-type: none"> • Sicherstellen, dass alle Kabel intakt und korrekt angeschlossen sind. • Mediadatei wechseln; u.U. ist die Datei beschädigt oder von mangelhafter Qualität.
Schlechtes Bild und/oder schlechter Ton.	<ul style="list-style-type: none"> • Sicherstellen, dass alle Kabel intakt und korrekt angeschlossen sind. • Die Disc kontrollieren. Eine saubere, kratzerfreie Disc verwenden. • Mediadatei wechseln; u.U. ist die Datei beschädigt oder von mangelhafter Qualität.

Sverige

Kundtjänst tel.: 0247/445 00
fax: 0247/445 09
e-post: kundservice@clasohlson.se

Internet www.clasohlson.se

Post Clas Ohlson AB, 793 85 INSJÖN

Norge

Kundesenter tlf.: 23 21 40 00
faks: 23 21 40 80
e-post: kundesenter@clasohlson.no

Internett www.clasohlson.no

Post Clas Ohlson AS, Postboks 485 Sentrum, 0105 OSLO

Suomi

Asiakaspalvelu puh.: 020 111 2222
sähköposti: asiakaspalvelu@clasohlson.fi

Internet www.clasohlson.fi

Osoite Clas Ohlson Oy, Maistraatinportti 4 A, 00240 HELSINKI

Great Britain

Customer Service contact number: 08545 300 9799
e-mail: customerservice@clasohlson.co.uk

Internet www.clasohlson.com/uk

Postal 10 – 13 Market Place
Kingston Upon Thames
Surrey
KT1 1JZ

Deutsch

Kundenservice Unsere Homepage www.clasohlson.com besuchen und auf Kundenservice klicken.

clas ohlson