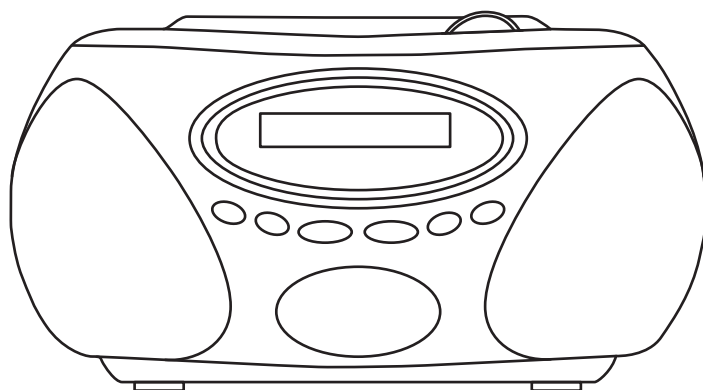


CD Player with DAB Radio

CD-spelare med DAB-radio

CD-spiller med DAB-radio

CD-Player mit DAB-Radio



Art.no

38-6607

38-6608

Model

CD-726DAB

CD-726DAB

Ver. 20140910

clas ohlson

English

Svenska

Norsk

Deutsch

CD Player with DAB Radio

Art.no 38-6607 Model CD-726DAB
 38-6608 CD-726DAB

Please read the entire instruction manual before using the product and then save it for future reference. We reserve the right for any errors in text or images and any necessary changes made to technical data. If you have any questions concerning technical problems please contact our Customer Services.

Contents

1. Safety	4
1.1 Safety symbols	4
2. Description	5
3. 230 V Mains operation	6
4. Battery operation	6
5. Operating instructions	6
5.1 Placement.....	6
5.2 Switching on the CD player with DAB radio for the first time	6
5.3 Switching the radio on and off and selecting the function.....	6
6. DAB Radio	7
6.1 Listening to DAB radio	7
6.2 Activate "Full Scanning" manually for automatic DAB station search	7
6.3 Manual DAB station search	7
6.4 Saving a found DAB radio station as a preset.....	8
6.5 Browsing the saved DAB radio stations (in DAB mode).....	8
6.6 Removing unwanted DAB stations (Pruning).....	8
6.7 DAB station information.....	8
7. FM radio	9
7.1 Activating FM mode	9
7.2 Automatic search for FM stations	9
7.3 Manual search for FM stations	9
7.4 Saving a found FM radio station as a preset	9
7.5 Browsing the saved FM radio stations (in FM mode)	9
7.6 FM station information	9
8. CD player	10
8.1 CD playback	10
8.2 Skip function.....	10
8.3 Programmed playing of CD tracks	10
8.4 Repeat a track on a CD.....	10
9. AUX mode (external audio source)	11
10. Setting the time and date	11
11. Resetting the radio to factory settings	11
13. Care and maintenance	11
14. Troubleshooting	12
15. Disposal	12
16. Specifications	12

1. Safety

- The product should not be taken apart or modified. Certain non-shielded components inside the casing of the CD player/radio carry dangerous current. Contact with these can lead to fire or electric shock.
- The product is intended for indoor use only.
- Never subject the CD player to high or low temperatures, dust, heavy vibration, impacts, humidity or moisture.
- Do not place the product where it could fall into water or other liquids. Do not place any objects containing liquid on the product, e.g. flower vases or drinks.
- Do not cover the CD player. Adequate ventilation with a distance of at least 10 cm between ventilation holes and the surrounding area is necessary to prevent the CD player from becoming too warm.
- Disconnect the CD player from the power supply by unplugging it from the wall socket.
- Protect your hearing. Listening on high volume for prolonged periods can lead to permanent hearing loss.
- Repairs and service should only be performed by qualified tradesmen, and only with original spare parts.
- The CD player must not be dismantled or modified in any way.
- The CD player must not be used close to medical equipment such as in intensive care units. Neither should it be used in close proximity to someone with an implanted pacemaker, cardioverter-defibrillator or similar.

1.1 Safety symbols

Note the following safety symbols:



Warning: Do not open the housing. The casing contains hazardous unshielded live components which if touched could start a fire or give you an electric shock.



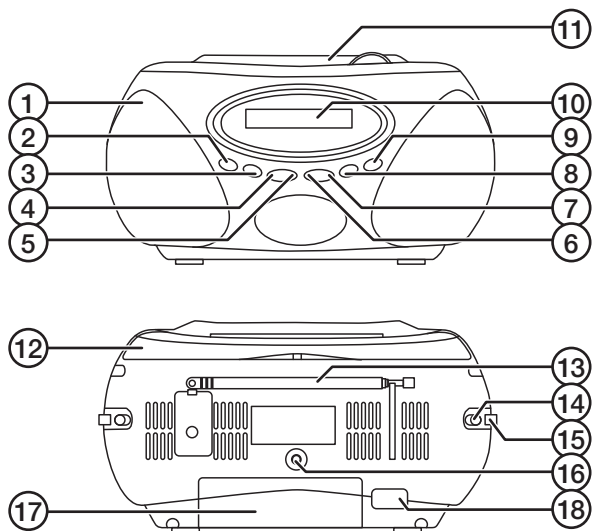
CLASS 1 LASER PRODUCT

Warning: Do not open the housing. The product contains invisible laser beams which can cause eye damage. Do not look directly into the laser beam or look directly at it using an optical instrument.

2. Description

Package contents:

CD player with DAB radio, mains lead and instruction manual.



1. Speaker
2. [MODE, DAB+/FM] Select certain functions for the CD player, select DAB or FM radio
3. [PRESET/PROG] Save stations as presets
4. [MENU] Press in the button on the left to display the menu
5. [SELECT] Press in the button on the right to confirm
6. [SKIP/TUNE<] Press in the button on the left to change to a lower frequency or submenu
7. [SKIP/TUNE>] Press in the button on the right to change to a higher frequency or submenu
8. [STOP/INFO] Stop CD playback or display information about the radio station
9. [PLAY/PAUSE FULL SCAN] Start playback/pause playback or start a station search in DAB mode (Full Scan)
10. LCD display
11. CD tray
12. Handle
13. Telescopic aerial for FM radio
14. [OFF/AUX/CD/DAB+/FM] Function selector
 - OFF
 - AUX (for listening to an external audio source such as a telephone, MP3 player)
 - CD
 - DAB+/FM (for listening to the radio (DAB+ or FM))
15. [VOLUME] Volume control
16. AUX IN line-in for external audio source (3.5 mm)
17. Battery compartment
18. AC socket for mains lead

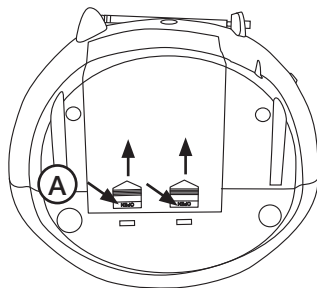
3. 230 V Mains operation

Plug the power lead into the AC socket (18) and into an electrical socket.

- Do not touch the mains lead with wet hands.
- Disconnect the power lead if the CD player is not be used for an extended period.
- Do not pull on the mains lead when unplugging the CD player, grip the plug and pull it out of the socket.

4. Battery operation

1. Open the battery compartment (17) by pressing it down at the arrows (where "OPEN" is written). Press and slide the battery cover outwards in the direction of the arrows.
2. Insert 6 × C/LR14 batteries (sold separately) observing the polarity markings in the battery compartment.



5. Operating instructions

5.1 Placement

The CD player should be placed on a flat surface indoors where it is not in direct sunlight or close to a heat source, and not in a humid atmosphere such as in a bathroom.

5.2 Switching on the CD player with DAB radio for the first time

1. Make sure that the function selector is set to **OFF**.
2. Completely extend the telescopic aerial and lift it up. It is important that optimum reception is achieved the first time the radio is used and scans for DAB and FM stations.
3. Connect the mains lead to the AC socket (18).
4. Connect the plug to a wall socket.
5. Set the function selector (14) to the **DAB+/FM** position to turn the radio on. "Welcome to Digital Radio" will appear on the display.
6. The radio will automatically begin searching for DAB stations. "Autotune Full Scan" will appear on the display and an event indicator will show that searching is in progress and how many stations have been found. When the scan has finished, the radio will start playing the first station found. If no DAB stations are found "No DAB Station" will appear on the display.
7. All the DAB stations found will be saved in the memory, next time the radio is switch on it will not need to perform an automatic scan. However, a manual station search can be made by pressing [PLAY/PAUSE FULL SCAN] (9) whilst in DAB mode.

5.3 Switching the radio on and off and selecting the function

The function selector [OFF/AUX/CD/DAB+/FM] (14) switches the radio on/off. The function selector has four positions:

- **OFF**
- **AUX** (for listening to an external audio source such as a telephone, MP3 player)
- **CD**
- **DAB+/FM** (for listening to radio, DAB starts first (press [MODE, DAB+/FM] (2) if you wish to change to FM (or from FM to DAB))

6. DAB Radio

DAB – Digital Audio Broadcasting

DAB radio is not the same as analogue radio. In DAB mode, the signals from several broadcasters are combined and sent on the same frequency. These groups of signals are called Multiplexes and Ensembles. Each time a group has been found, its name appears at the bottom of the display.

DAB mode - secondary services

Sometimes, a ">" symbol can be seen after the name of a station. This indicates that the station has a secondary service. This secondary service could be in the form of a sports commentary for example.

Automatic standby (after long period of inactivity)

The CD player automatically switches to standby mode after a long period of inactivity. This occurs when the CD player is in stop mode for a long time or if the DAB radio receives no signal.

To re-activate the CD player, first switch the function selector to **OFF** and then switch it back to the desired function, **CD** or **DAB+/FM**.

6.1 Listening to DAB radio

Activate DAB mode

1. Set the function selector to **DAB+/FM**. "Welcome to Digital Radio" will appear on the display.
2. When the radio is turned on for the first time it automatically enters DAB mode and performs an autoscanner. During the scanning process, the words "Full Scanning" and the number of stations found will appear on the display.
3. When the scan is complete, the radio starts playing the station with the lowest frequency.
4. If no DAB stations are found "No DAB Station" will appear on the display.

6.2 Activate "Full Scanning" manually for automatic DAB station search

1. Set the function selector to **DAB+/FM**. "Welcome to Digital Radio" will appear on the display.
2. Press [PLAY/PAUSE FULL SCAN] (9) (in DAB mode) to start a "Full Scan" search.
3. "Searching" is shown on the display whilst the search is in progress. **Note:** The search can take 1 or 2 minutes.
4. When stations are found they are saved automatically. To listen to the saved stations, press [SKIP/TUNE<] or [SKIP/TUNE>] to select a station. Press [SELECT] to confirm.

6.3 Manual DAB station search

1. Press [MENU] (4) to display the menu.
2. Press [SKIP/TUNE<] (6) or [SKIP/TUNE>] (7) and select **Manual Tune**. Press [SELECT] to confirm.
3. Press [SKIP/TUNE<] or [SKIP/TUNE>] to browse the DAB channels (5A to 13F).
4. Press [SELECT] to confirm your choice of channel. The chosen multiplex will then be shown on the display.

6.4 Saving a found DAB radio station as a preset

The radio can save up to 10 different DAB radio stations as presets. DAB presets are not saved over FM presets. Save a DAB radio station as follows (In DAB mode):

1. Tune the radio into the desired station.
2. Push and hold [PRESET/PROG] (2) for 2 seconds. The preset station and “P#” (where # is the preset station number) will appear on the display.
3. Press [SKIP/TUNE<] or [SKIP/TUNE>] to select which preset number the station is to have (1–10).
4. Press [SELECT] to confirm.

Note: If a previously saved station already occupies the chosen preset slot it will be replaced by the new one.

6.5 Browsing the saved DAB radio stations (in DAB mode)

1. Press [PRESET/PROG] (3) to show the preset station and its preset number (P#).
2. Press [SKIP/TUNE<] or [SKIP/TUNE>] to select a station.
3. Press [SELECT] to confirm.

Note: The radio might become silent for a moment whilst the stations are changing.

6.6 Removing unwanted DAB stations (Pruning)

1. In DAB mode, press [MENU] (4).
2. Press [SKIP/TUNE<] or [SKIP/TUNE>] to select **PRUNE**.
3. Press [SELECT] to confirm.
4. “PRUNE” will appear on the display, press [SKIP/TUNE<] or [SKIP/TUNE>] and select **NO** to quit or **YES** to remove the station in question.
5. Press [MENU] (4) to exit and return to normal DAB mode.

6.7 DAB station information

By pressing [STOP/INFO] (8) repeatedly, you can display the following information:

- Frequency – The frequency is displayed as for example “11C 220.352MHz”.
- Audio Bite Rate – The display shows the radio mode (DAB) and the digital audio bit rate of the current reception.
- Scrolling text – Text from the DAB station you are listening to. The information can for example include facts about the music being played.
- Programme Type: shows which type of programme you are listening to, “Rock”, “Pop”, “News” etc. If there is no information, the text “Programme Type” is displayed.
- Ensemble: This is a group of radio stations sent on the same frequency. There are both national and local multiplexes. The local ones contain stations specific for your area.
- Signal Strength: The signal strength is displayed graphically by means of a slide bar. The stronger the signal, the longer the bar.
- Date: shows the current date.
- Time: shows the current time.

7. FM radio

Completely extend the telescopic aerial and lift it up. This is important in order to get the best reception when the radio is scanning for FM stations.

Once the radio is switched on, it will start playing the same programme it was set to when it was last switched off.

7.1 Activating FM mode

1. Set the function selector to **DAB+/FM**. “Welcome to Digital Radio” will appear on the display (the radio always starts in DAB mode).
2. Press [MODE DAB+/FM] (2) to select **FM**.
3. Set the desired volume using [VOLUME] (15).

7.2 Automatic search for FM stations

1. Press [PLAY/PAUSE FULL SCAN] (9) or hold in [SKIP/TUNE<] or [SKIP/TUNE>] for about 1 second to start an automatic search for the next available FM station.
2. The search stops when a station with a strong signal reception has been found.
Note: Stations with weak signal reception must be tuned in manually.

7.3 Manual search for FM stations

Press [SKIP/TUNE<] (6) or [SKIP/TUNE>] (7) to browse the frequency range.

7.4 Saving a found FM radio station as a preset

The radio can save up to 10 different FM radio stations as presets. FM presets are not saved over DAB presets.

FM radio stations are saved as follows:

1. Tune the radio into the desired station.
2. Push and hold [PRESET/PROG] (3) for 2 seconds. The preset station and “P#” (where # is the preset station number) will appear on the display.
3. Press [SKIP/TUNE<] (6) or [SKIP/TUNE>] (7) to select which preset number the station is to have (1–10). If there is already a station saved on preset 1, its name and frequency will be displayed, if no station has previously been saved as preset 1, “Empty” will appear on the display.
4. Press [SELECT] to confirm.
5. “Preset # stored” will appear in the display once the station is saved.

Note: If a previously saved station already occupies the chosen preset slot it will be replaced by the new one.

7.5 Browsing the saved FM radio stations (in FM mode)

1. Press [PRESET/PROG] (3), the current station and its preset number (#) will be displayed.
2. Press [SKIP/TUNE<] (6) or [SKIP/TUNE>] (7) to select one of the preset stations (1–10).
3. Press [SELECT] to confirm that you want to listen to that station.

7.6 FM station information

By pressing [STOP/INFO] (8) repeatedly, you can display the following information:

1. Audio Type: shows whether the signal is mono or stereo.
2. Scrolling text: Text from the FM station you are listening to. The information can for example include facts about the music being played.

3. Programme Type: shows which type of programme you are listening to, “Rock”, “Pop”, “News” etc. If there is no information, the text “Programme Type” is displayed.
4. Signal Strength: The signal strength is displayed graphically by means of a slide bar. The stronger the signal, the longer the bar.
5. Date: shows the current date.
6. Time: shows the current time.
7. Frequency: displays the frequency of the current station.

8. CD player

8.1 CD playback

1. Set the function selector [OFF/AUX/CD/DAB+/FM] (14) to **CD**.
2. Open the CD door by carefully lifting it.
3. Place a CD onto the spindle in the middle of the CD compartment.
4. Shut the door by carefully pushing it down.
5. The CD player will start reading the disc and display the total number of tracks.
6. Press [PLAY/PAUSE FULL SCAN] (9) to start playing the CD.
7. Press [PLAY/PAUSE FULL SCAN] (9) again if you wish to pause the playback. Press the same button again to resume playback.
8. Press [STOP/INFO] (8) to stop playback or set the function selector [OFF/AUX/CD/DAB+/FM] (14) to a different position than CD to stop the playback.

8.2 Skip function

1. Press [SKIP/TUNE>] (7) once to skip to the next track.
2. Press [SKIP/TUNE<] (6) once to return to the beginning of the current track.
3. Press [SKIP/TUNE<] (6) repeatedly to skip back to previous tracks.

8.3 Programmed playing of CD tracks

A total of 20 tracks can be programmed.

1. Press [STOP/INFO] (8). Press [PRESET/PROG]. “PROG” will begin flashing on the display.
2. Press [SKIP/TUNE<] (6) or [SKIP/TUNE>] (7) to select which track is to be saved.
3. Press [PRESET/PROG] to store the desired track into the play list memory. “PROG02” appears on the display.
4. Repeat steps 2–3 to add more tracks to the play list.
5. Press [PLAY/PAUSE FULL SCAN] once you have finished programming your tracks onto your play list. The tracks on the CD will now be played in the order programmed on your play list.
6. Press [STOP/INFO] (8) to stop playback.
7. To clear the programmed play list, either press [STOP/INFO] (8) twice, open the CD door, set the function selector to a different position or switch the CD player off.

8.4 Repeat a track on a CD

1. During playing of a CD, press [MODE, DAB+/FM] (2) once to repeat the track that is playing. “REP 1” is shown on the display.
2. Press [MODE, DAB+/FM] a second time to repeat all the tracks on the CD. “REP ALL” is shown on the display.
3. Press [MODE, DAB+/FM] (2) a third time to begin playing the tracks in random order. “RAND” is shown on the display.
4. Press [MODE, DAB+/FM] (2) a fourth time to exit the repeat playback mode. No text is shown on the display when the repeat function is shut off.

9. AUX mode (external audio source)

1. Set the function selector [OFF/AUX/CD/DAB+/FM] (14) to **AUX**.
2. Connect an external audio source to AUX IN (16) using a suitable cable with a 3.5 mm stereo plug.
3. Playback is controlled from the external audio source. Adjust the volume on both the external audio device and the radio to achieve the best sound quality.
4. Set the function selector [OFF/AUX/CD/DAB+/FM] (14) in a different position than **AUX** to stop listening to the external audio source.

10. Setting the time and date

1. While in DAB or FM mode: Press [MENU] (4) to display the menu.
2. Press [SKIP/TUNE<] (6) or [SKIP/TUNE>] (7) and **Set Time/Date**. Press [SELECT] to confirm.
3. "Set 12/24 hour" will appear on the display. Press [SELECT].
4. Select 12- or 24-hour clock ("Set 12 hour" or "Set 24 hour") using [SKIP/TUNE<] or [SKIP/TUNE>]. Press [SELECT] to confirm.
5. Press [SKIP/TUNE<] or [SKIP/TUNE>] to select **Set Time/Date** and then press [SELECT].
6. "Set time 00:00" is displayed (hours flashing), adjust to the correct time using [SKIP/TUNE<] or [SKIP/TUNE>]. Press [SELECT] to confirm. The minutes will now be flashing, set them in the same way as the hours. Press [SELECT] to confirm.
7. "Set Date" will flash, set the date the same way as you set the time. Press [SELECT] to confirm. "Time saved" will appear on the display when the time and date have been set.
Note: All the time and date settings must be made before the settings are saved automatically.
8. Select the date format by pressing [SKIP/TUNE<] (6) or [SKIP/TUNE>] (7) select **Set Time/Date** and then **Set date format**. Press [SELECT] to confirm. Choose either **DD-MM-YYYY** or **MM-DD-YYYY** by pressing [SKIP/TUNE<] or [SKIP/TUNE>]. Press [SELECT] to confirm.

11. Resetting the radio to factory settings

1. In DAB+/FM mode, hold in [MODE DAB+/FM] until "Press ENTER key to reset" is displayed.
2. Press [SELECT] (5) to start the reset process. "Press ENTER key OK" is displayed.
3. Once the unit has reset, the radio starts playing in DAB mode and performs an "Auto scan".

Note: All preset stations will also be lost if the radio is reset, as explained below.

13. Care and maintenance

Clean the product using a soft, dry cloth. Never use solvents or abrasive cleaning agents.

14. Troubleshooting

Poor radio reception

- Extend the aerial completely.
- Move the radio. Remember to scan for stations again after moving.
- Check that the radio is not close to any sources of interference such as microwaves, fluorescent lights, etc.

No sound

- Check the volume setting.
- Check that the power switch is not set to **OFF** and that the mains lead is connected correctly.
- Try changing to another station.

The controls are not working

- Check that the power switch is not set to **OFF** and that the mains lead is connected correctly.
- Turn the unit off, unplug the mains lead, wait about 1 minute. Plug the mains lead back in.
- Reset the radio to its factory settings, see *Resetting the radio to factory settings*.

15. Disposal

This product should be disposed of in accordance with local regulations. If you are unsure how to proceed, contact your local council.

16. Specifications

Mains voltage	230 V AC, 50 Hz
Frequency range	DAB+/DAB 174–240 MHz FM 87.5–108 MHz
AUX socket	3.5 mm
Battery type	6 × C/LR14 (sold separately)
Size	25 × 13.5 × 21.5 cm

CD-spelare med DAB-radio

Art.nr 38-6607 Modell CD-726DAB
38-6608 CD-726DAB

Läs igenom hela bruksanvisningen före användning och spara den sedan för framtida bruk.
Vi reserverar oss för ev. text- och bildfel samt ändringar av tekniska data.
Vid tekniska problem eller andra frågor, kontakta vår kundtjänst.

Innehållsförteckning

1. Säkerhet	14
1.1 Säkerhetssymboler.....	14
2. Beskrivning	15
3. Nätanslutning 230 V	16
4. Batteridrift	16
5. Användning	16
5.1 Placering.....	16
5.2 Slå på CD-spelaren med DAB-radio första gången.....	16
5.3 Slå på och stäng av radion och välj funktion.....	16
6. DAB-radio	17
6.1 Lyssna på DAB-radio	17
6.2 Aktivera "Full Scanning" manuellt för automatisk sökning efter DAB-radiostationer	17
6.3 Manuell sökning efter DAB-radiostationer.....	17
6.4 Spara en hittad DAB-radiostation som snabbval	18
6.5 Stega mellan de hittade DAB-radiostationerna (i DAB-läge)	18
6.6 Rensa bort oönskade DAB-radiostationer (PRUNE) (i DAB-läge).....	18
6.7. DAB-displayinformation.....	18
7. FM-radio	19
7.1 Aktivera FM-läge	19
7.2 Automatisk sökning av nästa FM-radiostation (i FM-läge).....	19
7.3 Manuell sökning av FM-radiostation (i FM-läge)	19
7.4 Spara en hittad FM-radiostation som snabbval	19
7.5 Stega mellan de hittade FM-radiostationerna (i FM-läge).....	19
7.6 FM-displayinformation	19
8. CD-spelare	20
8.1 Spela upp en CD-skiva.....	20
8.2 Gå till början eller till nästa spår på skivan	20
8.3 Programmerad avspeling av en CD-skiva.....	20
8.4 Repetera ett spår.....	20
9. Använd AUX-läge (extern ljudkälla)	21
10. Inställning av tid och datum	21
11. Reset – återställa radion till fabriksinställningarna	21
12. Skötsel och underhåll	21
13. Felsökning	22
14. Avfallshantering	22
15. Specifikationer	22

1. Säkerhet

- CD-spelaren får inte demonteras eller ändras. Farlig spänning finns oskyddad på komponenter inuti CD-spelarens hölje. Kontakt med dessa kan leda till brand eller ge elektriska stötar.
- CD-spelaren är endast avsedd för inomhusbruk.
- Utsätt aldrig CD-spelaren för höga eller låga temperaturer, dammig miljö, starka vibrationer, stötar, fukt eller väta.
- Placera inte CD-spelaren så att den kan falla ner i vatten eller annan vätska. Ställ inte några föremål som innehåller vätska på CD-spelaren, t.ex. en blomvas eller dryck.
- Täck inte över CD-spelaren. Tillräcklig ventilation, med ett minsta avstånd på ca 10 cm mellan ventilationshålen och omgivande ytor, är nödvändig för att förhindra att CD-spelaren blir för varm.
- Bryt strömmen till CD-spelaren genom att dra ur dess stickpropp ur vägguttaget.
- Skydda din hörsel. Lyssning med hög volym under lång tid kan leda till bestående hörselskador.
- Låt behörig personal utföra service och reparationer och endast med originalreservdelar.
- CD-spelaren får inte demonteras eller modifieras på något sätt.
- CD-spelaren får inte användas i närheten av medicinsk utrustning i intensivvård etc. Den får inte heller användas i närheten av någon som har en inopererad pacemaker eller liknande.

1.1 Säkerhetssymboler

Lägg märke till dessa säkerhetssymboler:



Varning! Öppna inte höljet! Farlig spänning finns oskyddad på komponenter inuti produktens hölje, kontakt med dessa kan leda till brand eller ge elektriska stötar.



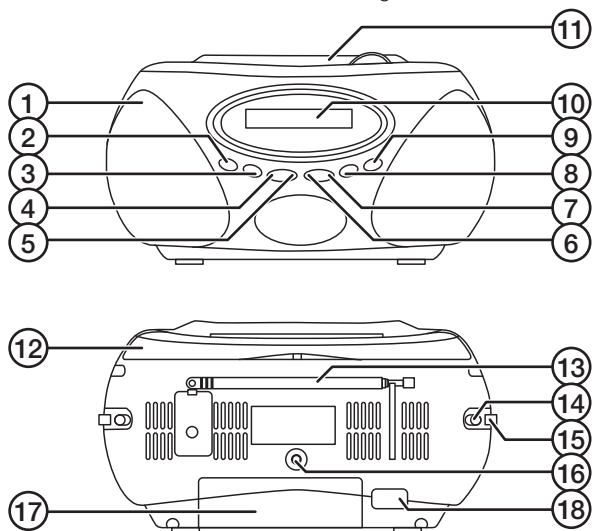
LASERAPPARAT KLAS 1

Varning! Öppna inte höljet! Osynlig laserstrålning som kan orsaka ögonskador. Rikta inte blicken in mot strålen och titta inte direkt på den genom optiska instrument.

2. Beskrivning

Förpackningen innehåller:

CD-spelare med DAB-radio, nätkabel och bruksanvisning.



1. Högtalare
2. [MODE, DAB+/FM] Välj vissa funktioner för CD-spelare, välj DAB- eller FM-radio
3. [PRESET/PROG] Spara hittade stationer som snabbval
4. [MENU] Tryck in knappen på vänster sida för att visa meny
5. [SELECT] Tryck in knappen på höger sida för att bekräfta
6. [SKIP/TUNE<] Tryck in knappen på vänster sida för att stega neråt till lägre frekvens eller undermeny
7. [SKIP/TUNE>] Tryck in knappen på höger sida för att stega uppåt till högre frekvens eller undermeny
8. [STOP/INFO] Stoppa CD-uppspelning eller visa information om radiostation
9. [PLAY/PAUSE FULL SCAN] Starta uppspelning/gör paus i uppspelning eller starta kanalsökning i DAB-läge (Full Scan)
10. LCD-display
11. CD-fack
12. Handtag
13. Teleskopantenn för FM
14. [OFF/AUX/CD/DAB+/FM] Funktionsväljare
 - OFF Avstängd
 - AUX Lyssna till yttre ljudkälla som är ansluten, t.ex. telefon, MP3-spelare
 - CD Lyssna till CD-skiva
 - DAB+/FM Lyssna till radio (DAB+ eller FM)
15. [VOLUME] Volymkontroll
16. AUX IN Lågnivåingång för yttre ljudkälla (3,5 mm-anslutning)
17. Batterifack
18. AC-anslutning för nätkabel

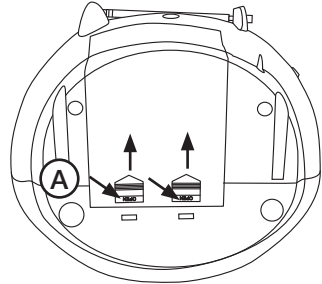
3. Nätanslutning 230 V

Anslut nätkabeln till AC-anslutningen (18) och ett eluttag.

- Ta inte i nätkabeln med fuktiga händer.
- Dra ur stickproppen om CD-spelaren inte ska användas under en längre tid.
- Dra inte i kabeln när du ska ta ut stickproppen ur ett eluttag, håll i stickproppen och dra ut.

4. Batteridrift

1. Öppna batterifacket (17) genom att trycka ner det vid pilarna (vid "OPEN") så att snäpplåsen (A) öppnas. Tryck batterilocket utåt i pilarnas riktning.
2. Sätt i 6 × C/LR14-batterier (säljs separat) enligt märkning i batterifacket.



5. Användning

5.1 Placering

Placera CD-spelaren på en plan yta inomhus som inte är belyst av solen, inte nära heta föremål och inte på en fuktig plats som t.ex. i badrum.

5.2 Slå på CD-spelaren med DAB-radio första gången

1. Se till att funktionsväljaren står i läge **OFF**.
2. Dra ut teleskopantennen helt och rikta in den vertikalt. Det är viktigt för att få bästa mottagning när radion startar första gången och gör automatisk sökning efter DAB- eller FM-radiostationer.
3. Anslut nätkabeln till AC-anslutningen (18).
4. Anslut stickproppen till ett eluttag.
5. Ställ funktionsväljaren (14) i läge **DAB+/FM** för att slå på radion. "Welcome to Digital Radio" visas på displayen.
6. Radion startar automatisk sökning efter DAB-radiostationer. "Autotune Full scan" visas på displayen och en händelseindikator visar att sökningen pågår samt hur många stationer som har hittats. När sökningen är klar kommer radion att starta uppspelning av den först hittade hörbara stationen. Om inga DAB-radiostationer hittas visas "No DAB Station".
7. Alla hittade DAB-radiostationer sparas i minnet, nästa gång du slår på radion sker därför ingen automatisk sökning. Det är dock möjligt att söka efter stationer manuellt genom att trycka på [PLAY/PAUSE FULL SCAN] (9) i DAB-läge.

5.3 Slå på och stäng av radion och välj funktion

Funktionsväljaren [OFF/AUX/CD/DAB+/FM] (14) används för att slå på/stänga av radion.

Funktionsväljaren har fyra olika lägen:

- **OFF** Avstängd
- **AUX** Lyssna på yttre ljudkälla som är ansluten till AUX IN, t.ex. MP3-spelare eller telefon.
- **CD** Lyssna till CD-spelaren
- **DAB+/FM** Lyssna till radio, DAB startar först (tryck på [MODE, DAB+/FM] (2) om du vill byta till FM (eller från FM till DAB))

6. DAB-radio

DAB – Digital Audio Broadcasting

DAB-radio skiljer sig från analog radio. I DAB-läge sammanstrålar de olika signalerna från flera stationer och sänds som en enda frekvens. Dessa grupper kallas Multiplexes and Ensembles. Varje gång en grupp har hittats visas namnet i nedre delen av displayen.

DAB-läge med sekundära tjänster

Vid vissa tillfällen kan symbolen ">" visas efter namnet på stationen. Det indikerar att det finns sekundära tjänster till stationen. Det kan till exempel vara en station som sänder sport som har lagt till extra kommentatorer/information.

Automatisk standby (vid släckt display)

CD-spelaren med DAB går automatiskt ner i standby om CD-spelaren står i stoppläge en längre stund eller om DAB-radion inte får någon mottagning.

Ställ funktionsomkopplaren i läge **OFF** och därefter till önskad funktion, t.ex. **CD**, för att starta CD-spelaren med **DAB+/FM** igen.

6.1 Lyssna på DAB-radio

Aktivera DAB-läge

1. Ställ funktionsväljaren i läge **DAB+/FM**. "Welcome to Digital Radio" visas på displayen.
2. När radion startas första gången går den automatiskt in i DAB-läge och gör en autoskanning. Under skanningen visas "Full Scanning" i displayen samt hur många stationer som hittats.
3. När skanningen är klar väljer radion att starta uppspelning av den station som har lägst frekvens.
4. Om inga DAB-radiostationer hittas visas "No DAB Station" på displayen.

6.2 Aktivera "Full Scanning" manuellt för automatisk sökning efter DAB-radiostationer

1. Ställ funktionsväljaren i läge **DAB+/FM**. "Welcome to Digital Radio" visas på displayen.
2. Tryck på [PLAY/PAUSE FULL SCAN] (9) (i DAB-läge) för att starta sökning ("Full Scan").
3. Displayen visar "Searching" under tiden som sökningen pågår. **Obs!** Sökningen kan ta 1 till 2 minuter.
4. När stationerna hittats sparas de automatiskt. För att välja att lyssna på en sparad station, tryck på [SKIP/TUNE<] eller [SKIP/TUNE>] för att gå till önskad station. Tryck på [SELECT] för att bekräfta.

6.3 Manuell sökning efter DAB-radiostationer

1. Tryck på [MENU] (4) för att visa meny.
2. Tryck på [SKIP/TUNE<] (6) eller [SKIP/TUNE>] (7) och välj **Manual Tune**. Tryck på [SELECT] för att bekräfta.
3. Tryck på [SKIP/TUNE<] eller [SKIP/TUNE>] för att stega mellan DAB-kanalerna (5A till 13F).
4. Tryck på [SELECT] för att bekräfta när du har valt önskad kanal. Vald multiplex visas på displayen.

6.4 Spara en hittad DAB-radiostation som snabbval

Radion kan spara upp till 10 olika DAB-radiostationer som snabbval. Sparade DAB-radiostationer skriver inte över sparade snabbval för FM. Spara DAB-radiostationer så här (i DAB-läge):

1. Ställ in önskad station på radion.
2. Håll in [PRESET/PROG] (2) i 2 sekunder. Inställd kanal och "P#" (# är programnummer) visas på displayen.
3. Tryck på [SKIP/TUNE<] eller [SKIP/TUNE>] för att välja önskat snabbvalsnummer (1–10) där stationen ska sparas.
4. Tryck på [SELECT] för att bekräfta.

Obs! Om det redan finns en sparad station på den valda platsen blir den överskriven av den nya.

6.5 Stega mellan de hittade DAB-radiostationerna (i DAB-läge)

1. Tryck in [PRESET/PROG] (3) för att visa inställd station samt dess snabbvalsnummer (P#).
2. Tryck på [SKIP/TUNE<] eller [SKIP/TUNE>] för att välja önskad station.
3. Tryck på [SELECT] för att bekräfta.

Obs! Det kan bli tyst en kort stund när radion skiftar station.

6.6 Rensa bort oönskade DAB-radiostationer (PRUNE) (i DAB-läge)

1. Tryck på [MENU] (4) (i DAB-läge).
2. Tryck på [SKIP/TUNE<] eller [SKIP/TUNE>] för att välja **PRUNE**.
3. Tryck på [SELECT] för att bekräfta.
4. "PRUNE" visas på displayen, tryck på [SKIP/TUNE<] eller [SKIP/TUNE>] och välj **NO** för att avbryta eller **YES** för att ta bort aktuell station.
5. Tryck på [MENU] (4) för att avsluta och återgå till normal DAB-funktion.

6.7. DAB-displayinformation

Genom att trycka upprepade gånger på [STOP/INFO] (8) får du fram följande information i displayen:

- Frequency: frekvensen visas t.ex. som "11C 220.352MHz".
- Audio Bit Rate: displayen visar radioläge (DAB) och den digitala audio bit rate som tas emot.
- Scrolling text: text från den DAB-radiostation som du lyssnar till. Informationen kan t.ex. inkludera fakta om musiken som spelas.
- Programme Type: visar programtyp för sändningen, "Rock", "Pop", "News" etc. Om ingen information finns visas "Programme Type".
- Ensemble: detta är en samling av radiostationer som sänds i samma frekvens. Det finns nationella och lokala multiplex. Lokala innehåller bara stationer som är specifika för området.
- Signal Strength: signalstyrkan visas grafiskt. Ju starkare signal desto längre indikator.
- Date: visar dagens datum.
- Time: visar aktuell tid.

7. FM-radio

Dra ut teleskopantennen helt och rikta in den vertikalt. Det är viktigt för att få bästa mottagning när radion söker efter FM-stationer.

När radion slås på kommer den att starta med samma program som var inställt när den stängdes av.

7.1 Aktivera FM-läge

1. Ställ funktionsväljaren i läge **DAB+/FM**. "Welcome to Digital Radio" visas på displayen (radion startar alltid i DAB-läge).
2. Tryck på [MODE DAB+/FM] (2) för att välja **FM**.
3. Ställ in önskad volym med [VOLUME] (15).

7.2 Automatisk sökning av nästa FM-radiostation (i FM-läge)

1. Tryck på [PLAY/PAUSE FULL SCAN] (9) eller håll in [SKIP/TUNE<] eller [SKIP/TUNE>] ca 1 sekund för att starta automatisk sökning efter nästa station i vald sökriktning.
2. Sökningen stoppar när en stark station hittas. **Obs!** Svaga stationer måste ställas in manuellt.

7.3 Manuell sökning av FM-radiostation (i FM-läge)

Tryck på [SKIP/TUNE<] (6) eller [SKIP/TUNE>] (7) för att stega till önskad frekvens.

7.4 Spara en hittad FM-radiostation som snabbval

Radion kan spara upp till 10 olika FM-radiostationer som snabbval. Sparade FM-radiostationer skriver inte över sparade snabbval för DAB.

Spara FM-radiostationer så här:

1. Ställ in önskad station på radion.
2. Håll in [PRESET/PROG] (3) i 2 sekunder. Inställd station och P# (snabbvalsnummer) visas på displayen.
3. Tryck på [SKIP/TUNE<] (6) eller [SKIP/TUNE>] (7) för att välja önskat snabbvalsnummer (1–10) där stationen ska sparas. Om det finns en tidigare sparad station på snabbval 1 visas dess namn och frekvens, om ingen station är sparad tidigare på snabbval 1 visas "Empty" på displayen.
4. Tryck på [SELECT] för att bekräfta.
5. "Preset # stored" visas när stationen är sparad.

Obs! Om det redan finns en sparad station på den valda platsen blir den överskriven av den nya.

7.5 Stega mellan de hittade FM-radiostationerna (i FM-läge)

1. Tryck in [PRESET/PROG] (3), aktuell station och dess snabbvalsnummer (#) visas.
2. Tryck på [SKIP/TUNE<] (6) eller [SKIP/TUNE>] (7) för att välja bland stationerna som har sparats som snabbval 1–10.
3. Tryck på [SELECT] för att bekräfta att du vill lyssna på den stationen.

7.6 FM-displayinformation

Genom att trycka upprepade gånger på [STOP/INFO] (8) får du fram följande information i displayen:

1. Audio Type: displayen visar om mottagningen är i mono eller stereo.
2. Scrolling text: text från den FM-station som du lyssnar till. Informationen kan t.ex. innehålla fakta om musiken som spelas.

3. Programme Type: visar programtyp för sändningen, "Rock", "Pop", "News" etc. Om ingen information finns visas "Programme Type".
4. Signal Strength: signalstyrkan visas grafiskt. Ju starkare signal desto längre indikator.
5. Date: visar dagens datum.
6. Time: visar aktuell tid.
7. Frequency: frekvensen visas.

8. CD-spelare

8.1 Spela upp en CD-skiva

1. Ställ funktionsväljaren [OFF/AUX/CD/DAB+/FM] (14) i läge **CD**.
2. Öppna luckan över CD-facket genom att försiktigt lyfta den uppåt.
3. Tryck fast en CD-skiva på spindeln i mitten av CD-facket.
4. Stäng luckan genom att försiktigt trycka den nedåt.
5. CD-spelaren läser in CD-skivan, när det är klart visas antalet spår på skivan.
6. Tryck på [PLAY/PAUSE FULL SCAN] för att starta uppspelning av skivan.
7. Tryck på [PLAY/PAUSE FULL SCAN] igen för att tillfälligt stoppa uppspelningen (PAUSE). Tryck igen för att åter starta uppspelningen.
8. Tryck på [STOP/INFO] (8) för att stoppa uppspelningen eller ställ funktionsväljaren [OFF/AUX/CD/DAB+/FM] (14) i annat läge än CD för att avsluta uppspelningen.

8.2 Gå till början eller till nästa spår på skivan

1. Tryck en gång på [SKIP/TUNE>] (7) för att gå till nästa spår.
2. Tryck en gång på [SKIP/TUNE<] (6) för att komma till början på det spår som spelas.
3. Tryck upprepade gånger på [SKIP/TUNE<] för att stega till föregående spår.

8.3 Programmerad avspeling av en CD-skiva

Sammanlagt kan upp till 20 spår programmeras in för uppspelning.

1. Tryck på [STOP/INFO] (8). Tryck på [PRESET/PROG]. "PROG" blinkar i displayen.
2. Tryck på [SKIP/TUNE<] (6) eller [SKIP/TUNE>] (7) för att välja det spår som ska lagras.
3. Tryck på [PRESET/PROG] för att lagra det valda spåret i minnet. "PROG02" visas på displayen.
4. Upprepa steg 2–3 för att lagra fler spår i minnet.
5. När programmeringen är klar, tryck på [PLAY/PAUSE FULL SCAN]. Uppspelningen av CD-skivan påbörjas enligt programmeringen.
6. Tryck på [STOP/INFO] (8) för att stoppa uppspelning.
7. För att rensa programmeringen, antingen tryck på [STOP/INFO] (8) två gånger, öppna CD-locket, sätt funktionsväljaren i annat läge eller stäng av.

8.4 Repetera ett spår

1. Under avspeling av en CD-skiva, tryck en gång på [MODE, DAB+/FM] (2) (för att repetera det spår som spelas). "REP 1" lyser på displayen.
2. Tryck en andra gång på [MODE, DAB+/FM] för att repetera alla spår på skivan. "REP ALL" visas på displayen.
3. Tryck en tredje gång på [MODE, DAB+/FM] för att gå till slumpmässig uppspelning. "RAND" visas i displayen.
4. Tryck en fjärde gång på [MODE, DAB+/FM] för att stänga av repeterad uppspelning. Ingen text visas i displayen när funktionen är avstängd.

9. Använd AUX-läge (extern ljudkälla)

1. Ställ funktionsväljaren [OFF/AUX/CD/DAB+/FM] (14) i läge **AUX**.
2. Anslut en extern ljudkälla med en lämplig kabel till AUX IN (14) (anslutning för 3,5 mm stereoplugg).
3. Uppspelnigen styrs från den externa ljudenheten. Justera volym på både extern ljudenhet och radion till bästa ljudkvalitet.
4. Ställ funktionsväljaren [OFF/AUX/CD/DAB+/FM] (14) i annat läge än **AUX** för att stänga av lyssning från den externa ljudkällan.

10. Inställning av tid och datum

1. I DAB- eller FM-läge: Tryck på [MENU] (4) för att visa meny på displayen.
2. Tryck på [SKIP/TUNE<] (6) eller [SKIP/TUNE>] (7) och välj **Set Time/Date**. Tryck på [SELECT] för att bekräfta.
3. "Set 12/24 hour" visas på displayen. Tryck på [SELECT].
4. Välj 12- eller 24-timmarsvisning ("Set 12 hour" eller "Set 24 hour") med [SKIP/TUNE<] eller [SKIP/TUNE>]. Tryck på [SELECT] för att bekräfta.
5. Tryck på [SKIP/TUNE<] eller [SKIP/TUNE>] välj **Set Time/Date** och tryck på [SELECT].
6. "Set time 00:00" visas (timmar blinkar), ställ in rätt timangivelse med [SKIP/TUNE<] eller [SKIP/TUNE>]. Tryck på [SELECT] för att bekräfta. Minuter blinkar, ställ in minutangivelse på samma sätt. Tryck på [SELECT] för att bekräfta.
7. "Set Date" blinkar, ställ in datum på samma sätt som tiden. Tryck på [SELECT] för att bekräfta. "Time saved" visas när tid och datum har sparats. **Obs!** Alla inställningar för tid och datum måste göras innan inställningarna sparas automatiskt.
8. Välj önskad kalendervisning: tryck på [SKIP/TUNE<] (6) eller [SKIP/TUNE>] (7) välj <Set Time/Date> och välj **Set date format**. Tryck på [SELECT] för att bekräfta. Välj visning mellan **DD-MM-YYYY** och **MM-DD-YYYY** genom att trycka på [SKIP/TUNE<] eller [SKIP/TUNE>]. Tryck på [SELECT] för att bekräfta.

11. Reset – återställa radion till fabriksinställningarna

1. I DAB+/FM-läge, håll in [MODE DAB+/FM] tills "Press ENTER key to reset" visas på displayen.
2. Tryck snabbt på [SELECT] (5) för att starta återställning. "Press ENTER key OK" visas på displayen.
3. Efter återställningen startar radion i DAB-läge och gör en "Auto Scan".

Obs! Alla förinställda stationer försvinner vid återställning.

12. Skötsel och underhåll

Rengör produkten med en torr och mjuk trasa. Använd aldrig lösningsmedel eller slipande rengöringsmedel.

13. Felsökning

Dålig radiomottagning

- Dra ut antennen helt.
- Byt plats. Kom ihåg att göra en ny stationssökning efter flyttningen.
- Kontrollera att inga elektriska produkter – mikrovågsugn, lysrör etc. – som kan störa radion finns i närheten.

Inget ljud

- Kontrollera volyminställning.
- Kontrollera att strömbrytaren inte är i läge **OFF** och att nätkabeln är rätt ansluten.
- Prova att byta till en annan kanal.

Funktionsknapparna fungerar inte

- Kontrollera att strömbrytaren inte är i läge **OFF** och att nätkabeln är rätt ansluten.
- Stäng av och dra ur nätkabeln, vänta i ca 1 minut. Anslut sedan nätkabeln till eluttaget.
- Återställ radion till fabriksinställning se. *Reset – återställa radion till fabriksinställningarna.*

14. Avfallshantering

När du ska göra dig av med produkten ska detta ske enligt lokala föreskrifter. Är du osäker på hur du ska gå tillväga, kontakta din kommun.

15. Specifikationer

Drivspänning	AC 230 V, 50 Hz
Frekvensområde	DAB+/DAB 74–240 Mhz FM 87,5–108 MHz
AUX-anslutning	3,5 mm
Batterityp	6 × C/LR14-batterier (säljs separat)
Mått	25 × 13,5 × 21,5 cm

CD-spiller med DAB-radio

Art. nr. 38-6607 Modell CD-726DAB
38-6608 CD-726DAB

Les brukerveiledningen grundig før produktet tas i bruk og ta vare på den for framtidig bruk. Vi reserverer oss mot ev. feil i tekst og bilde, samt forandringer av tekniske data. Ved tekniske problemer eller spørsmål, ta kontakt med vårt kundesenter.

Innholdsfortegnelse

1. Sikkerhet	24
1.1 Sikkerhetssymboler.....	24
2. Beskrivelse	25
3. Nettspenning 230 V	26
4. Batteridrift	26
5. Bruk	26
5.1 Plassering	26
5.2 Slå på CD-spilleren med DAB-radio første gang	26
5.3 Slå på og av radioen og velg funksjon	26
6. DAB-radio	27
6.1 Lytte til DAB-radio	27
6.2 Aktiver «Full Scanning» manuelt for å få automatisk søking etter DAB-radiostasjoner	27
6.3 Manuell søking etter DAB-stasjoner.....	27
6.4 Lagre DAB-radiostasjoner til hurtigvalg	28
6.5 Bla mellom de forskjellige lagrede DAB-radiostasjonene (i DAB-modus)	28
6.6 Fjerne uønskede DAB-radiostasjoner (PRUNE) (i DAB-modus).....	28
6.7. DAB-displayinformasjon.....	28
7. FM-radio	29
7.1 Aktivere FM-modus.....	29
7.2 automatisk søk av neste FM-stasjon (i FM-modus).....	29
7.3 Manuelt søk av FM-stasjon (i FM-modus).....	29
7.4 Lagre FM-radiostasjoner til hurtigvalgmenyen	29
7.5 Bla mellom de forskjellige lagrede FM-radiostasjonene (i FM-modus)	29
7.6 FM-displayinformasjon	29
8. CD-spiller	30
8.1 Spille en CD-plate.....	30
8.2 Gå til starten eller til neste spor på platen	30
8.3 Programmert avspilling av CD-plate	30
8.4 Repetere ett spor.....	30
9. Aktivere AUX-modus (ekstern lydkilde)	31
10. Innstilling av klokkeslett og dato	31
11. Reset – stille radioen tilbake til fabrikkinnstillingene	31
13. Stell og vedlikehold	31
14. Feilsøking	32
15. Avfallshåndtering	32
16. Spesifikasjoner	32

1. Sikkerhet

- Produktet må ikke demonteres eller endres på. Farlig spenning ligger ubeskyttet på visse komponenter under produktets deksel. Kontakt med disse kan føre til brann eller gi elektriske støt.
- Produktet er kun beregnet for innendørs bruk.
- Utsett aldri produktet for høye temperaturer, fuktighet, støvete omgivelser, sterke vibrasjoner eller støt.
- Plasser ikke produktet slik at det kan komme i kontakt med vann eller annen væske. Plasser aldri produktet nær gjenstander som kan føre til at væske skylles over produktet.
- CD-spillere må ikke tildekkes. Tilstrekkelig ventilasjon med en minsteavstand på ca. 10 cm mellom ventilasjonsrillene og omliggende flater er nødvendig for å forhindre at anlegget blir for varm.
- Produktet gjøres strømløst ved at støpselet trekkes ut av strømuttaket.
- Beskytt hørselen din. Høyt volum over tid kan føre til varige hørselsskader.
- La profesjonelle fagfolk utføre service og reparasjoner. Benytt kun originale reservedeler.
- Produktet må ikke demonteres eller endres på.
- CD-spillere må ikke brukes nær medisinsk utstyr på intensivavdelinger etc. Den må heller ikke brukes nær noen som har innplantet pacemaker eller liknende.

1.1 Sikkerhetssymboler

Legg merke til disse sikkerhetssymbolene:



Advarsel! Dekselet må ikke åpnes! Farlig spenning ligger ubeskyttet på komponenter under produktets deksel, og kontakt med disse kan føre til brann eller gi elektrisk støt.



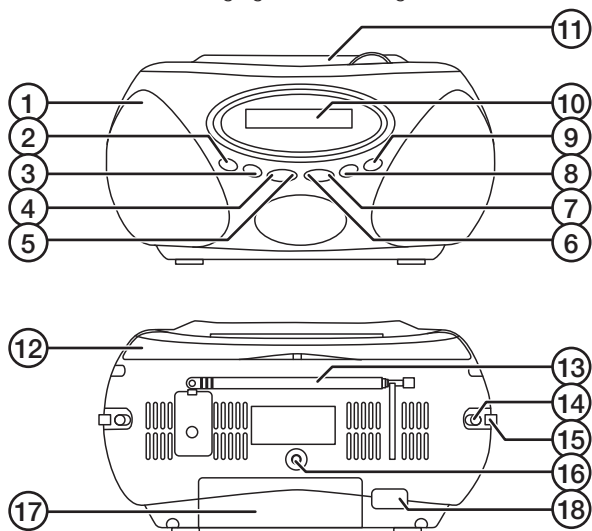
KLASSE 1 LASERAPPARAT

Advarsel! Dekselet må ikke åpnes! Usynlig laserstråler som kan føre til øyeskader. Vend ikke blikket mot strålen, og se ikke rett på den gjennom optiske instrumenter.

2. Beskrivelse

Forpakningen inneholder:

CD-spiller med DAB-radio, strømledning og bruksanvisning.



1. Høytaler
2. [MODE, DAB+/FM] Innstilling av enkelte funksjoner, DAB- eller FM-radio
3. [PRESET/PROG] Lagre stasjoner som du har kommet fram til i hurtigvalglisten
4. [MENU] Trykk inn knappen på venstre side for å få opp menyen
5. [SELECT] Trykk inn knappen på høyre side for å bekrefte
6. [SKIP/TUNE<] Trykk inn knappen på venstre side for å gå nedover til laveste frekvens eller undermeny
7. [SKIP/TUNE<] Trykk inn knappen på høyre side for å gå oppover til høyeste frekvens eller undermeny
8. [STOP/INFO] Stopp CD-avspilling eller vise informasjon om radiostasjon
9. [PLAY/PAUSE FULL SCAN] Starte avspillingen/ta pause i avspillingen eller starte kanalsøking i DAB-modus (Full Scan)
10. LCD-display
11. CD-holder
12. Bærehåndtak
13. Teleskopantenne for FM
14. [OFF/AUX/CD/DAB+/FM] Funksjonsvelger
 - OFF Avstengt
 - AUX Lytte til lydkilde som er koblet til, f.eks. telefon eller MP3-spiller
 - CD Lytte på en CD-plate
 - DAB+/FM Lytte til radioen (DAB+ eller FM)
15. [VOLUME] Volumkontroll
16. Lavnivåinngang for ytre lydkilde (3,5 mm tilkobling)
17. Batteriholder
18. AC-uttak for strømledning

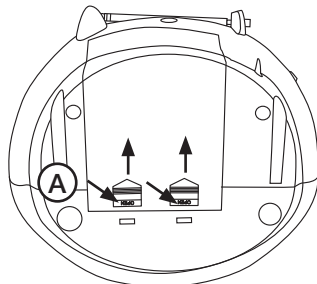
3. Nettspenning 230 V

Nettkabelen kobles til AC-inngangen (18) og et strømuttak.

- Ikke berør strømledningen med fuktige hender.
- Ta ut støpselet dersom CD-spillere ikke skal brukes på en stund.
- Ikke trekk i ledningen, men i støpselet når strømmen skal kobles fra.

4. Batteridrift

1. Batterilokket åpnes ved at det trykkes ned ved pilene (ved «OPEN») slik at snepplåsen (A) åpnes. Trykk lokket på batteriholderen utover i pilenes retning.
2. Plasser deretter 6 stk. C/LR14-batterier i batteriholderen. Batteriene selges separat.



5. Bruk

5.1 Plassering

Plasser CD-spilleren på en plan flate innendørs. Den bør plasseres et sted hvor den ikke får direkte sollys og unna varme gjenstander. CD-spilleren er ikke beregnet brukt på fuktige steder som f.eks. på bad.

5.2 Slå på CD-spilleren med DAB-radio første gang

1. Påse at funksjonsbryteren står i **OFF**-modus.
2. Trekk teleskopantennen helt ut og plasser den vertikalt. Dette er viktig for å oppnå best mulig mottak når radioen startes og man skal søke etter DAB- og FM-stasjoner.
3. Nettkabelen kobles til AC-inngangen (18).
4. Koble støpselet til et strømuttak.
5. Still funksjonsvelgeren (14) på **DAB+/FM** for å skru på radioen. «Welcome to Digital Radio» vises på displayet.
6. Radioen starter automatisk søk etter DAB-radiostasjoner. «Autotune Full Scan» vises i displayet, og en indikator viser at søking pågår og hvor mange stasjoner som er funnet. Når søkingen er fullført vil radioen starte avspilling fra den første hørbare stasjonen den finner. Hvis den ikke finner noen DAB-radiostasjoner vil «No DAB Station» vises.
7. Alle DAB-radiostasjoner som er funnet vil lagres i minnet. Neste gang du skruer på radioen vil det derfor ikke være automatsøk. Men det er mulig å søke etter stasjoner manuelt ved at man trykker på [PLAY/PAUSE FULL SCAN] (9) i DAB-modus.

5.3 Slå på og av radioen og velg funksjon

Funksjonsvelgeren [OFF/AUX/CD/DAB+/FM] (14) brukes til å slå på/av radioen.

Funksjonsvelgeren har fire forskjellige innstillinger:

- **OFF** Stengt
- **AUX** Lytte til lydkilde som er koblet til AUX IN, f.eks. telefon eller MP3-spiller.
- **CD** Lytte til CD-spillere
- **DAB+/FM** Lytt til radio. DAB starter først (trykk på [MODE, DAB+/FM] (2) hvis du vil skifte til FM (eller fra FM til DAB))

6. DAB-radio

DAB - Digital Audio Broadcasting

DAB-radioer skiller seg fra analoge radioer. I DAB-modus samles signaler fra flere stasjoner hvor de blir sendt på en og samme frekvens. Disse gruppene kalles Multiplexes og Ensembles. Hver gang man finner en gruppe vil navnet vises nederst på skjermen.

DAB-innstillinger med sekundære tjenester

Ved visse anledninger kan symbolet « > » vises etter navnet på stasjonen. Det indikerer at det er sekundære tjenester til stasjonen. Det kan f.eks. være at en stasjon som sender sport har lagt til ekstra kommentarer/informasjon.

Automatisk standby (når skjermen er slukket).

CD-spilleren med DAB går automatisk over til standby hvis CD-spilleren står i stoppmodus over tid, eller når DAB-radioen ikke mottar signaler.

Still funksjonsbryteren på **OFF** og deretter til ønsket funksjon, f.eks. **CD**, for å starte CD-spilleren med **DAB+/FM** igjen.

6.1 Lytte til DAB-radio

Aktivere DAB-modus

1. Still funksjonsbrukeren på **DAB+/FM**. «Welcome to Digital Radio» vises på displayet.
2. Når radioen starter vil den automatisk stilles inn på DAB-modus og foreta en autoskanning. Under skanningen vises «Full Scanning» på skjermen. Det vil også komme opp hvor mange stasjoner den finner.
3. Når søket er fullført velger radioen den stasjonen som har den laveste frekvensen.
4. Hvis den ikke finner noen DAB-radiostasjoner vil «No DAB Station» vises på skjermen.

6.2 Aktiver «Full Scanning» manuelt for å få automatisk søking etter DAB-radiostasjoner

1. Still funksjonsbrukeren på **DAB+/FM**. «Welcome to Digital Radio» vises på displayet.
2. Trykk på [PLAY/PAUSE FULL SCAN] (9) (i DAB-modus) for å starte søking «Full Scan».
3. Displayet viser «Scanning» mens søket pågår. **Obs!** Søket kan ta 1 til 2 minutter.
4. Når radioen finner stasjoner vil de lagres automatisk. Velg [SKIP/TUNE<] eller [SKIP/TUNE>] for å lytte til lagret radiostasjon. Trykk på [SELECT] for å bekrefte.

6.3 Manuell søking etter DAB-stasjoner

1. Trykk på [MENU] (4) for å vise menyen på skjermen.
2. Trykk på [SKIP/TUNE<] (6) eller [SKIP/TUNE>] (7) og velg **Manual Tune**. Trykk på [SELECT] for å bekrefte.
3. Trykk på [SKIP/TUNE<] eller [SKIP/TUNE>] for å bevege deg mellom DAB-kanalene (5A til 13F).
4. Trykk på [SELECT] for å bekrefte når du har valgt en kanal. Valgt multiplex vises på displayet.

6.4 Lagre DAB-radiostasjoner til hurtigvalg

Man kan lagre inntil 10 DAB-radiostasjoner som hurtigvalg på radioen. Lagrede DAB-radiostasjoner overtar ikke plassen til hurtigvalg av FM. DAB-radiostasjoner lagres slik (i DAB-modus):

1. Still inn ønsket stasjon.
2. Hold [PRESET/PROG] (2) inne i 2 sekunder. Innstilt kanal og «P#» (# er programnummer) vises på skjermen.
3. Trykk på [SKIP/TUNE<] eller [SKIP/TUNE>] for å velge ønsket hurtigvalgnummer (1–10) der du vil at stasjonen skal lagres.
4. Trykk på [SELECT] for å bekrefte.

Obs! Hvis det allerede er lagret en stasjon på den valgte plassen vil den bli erstattet av den nye.

6.5 Bla mellom de forskjellige lagrede DAB-radiostasjonene (i DAB-modus)

1. Trykk inn [PRESET/PROG] (3) for å vise innstilt stasjon og hurtignummeret (P#).
2. Trykk på [SKIP/TUNE<] eller [SKIP/TUNE>] for å velge ønsket stasjon.
3. Trykk på [SELECT] for å bekrefte.

Obs! Det kan være stille en kort stund mens radioen skifter stasjon.

6.6 Fjerne uønskede DAB-radiostasjoner (PRUNE) (i DAB-modus)

1. Trykk på [MENU] (4) (i DAB-modus).
2. Trykk på [SKIP/TUNE<] eller [SKIP/TUNE>] for å velge **PRUNE**.
3. Trykk på [SELECT] for å bekrefte.
4. «PRUNE» vises på skjermen. Trykk på [SKIP/TUNE<] eller [SKIP/TUNE>] og velg **NO** for å avbryte eller **YES** for å fjerne den aktuelle stasjonen.
5. Trykk på [MENU] (4) for å avslutte og å gå tilbake til DAB-funksjonen.

6.7. DAB–displayinformasjon

Ved å trykke på [STOP/INFO] (8) gjentatte ganger får du frem følgende informasjon i displayet:

- Frequency – frekvensen vises f.eks. som «11C 220.352 MHz».
- Audio Bit Rate: displayet viser radiomodus (DAB) og den digitale audio bit rate som mottas.
- Scrolling tekst: tekst fra den DAB-stasjonen du lytter til. Informasjonen kan f.eks. inkludere fakta om musikken som spilles.
- Programme Type: viser programtype på sendingen: «Rock», «Pop», «News» etc. Hvis det ikke vises noen informasjon kommer «Program Type» opp.
- Ensemble: dette er en samling radiostasjoner som sender på samme frekvens. Det er både nasjonale og lokale multiplex. De lokale inneholder kun stasjoner for et bestemt område.
- Signal Strength: signalstyrken vises grafisk. Jo sterkere signaler, desto lengre indikator.
- Date: Viser hvilken dato det er i dag.
- Time: viser aktuelt klokkeslett.

7. FM-radio

Trekk teleskopantennen helt ut og plasser den vertikalt. Det er viktig for å få best mulig mottak når radioen søker etter FM-stasjoner.

Når radioen skrur på starter den med samme innstilling som da den ble skrudd av.

7.1 Aktivere FM-modus

1. Still funksjonsbrukeren på **DAB+/FM**. «Welcome to Digital Radio» vises på skjermen (Radioen starter alltid i DAB-modus).
2. Trykk på [MODE DAB+/FM] (2) for å velge **FM**.
3. Still inn ønsket volum [VOLUME] (15).

7.2 automatisk søk av neste FM-stasjon (i FM-modus)

1. Trykk på [PLAY/PAUSE FULL SCAN] (9) eller hold [SKIP/TUNE<] eller [SKIP/TUNE>] inne i ca. 1 sekund for å starte søket automatisk etter neste stasjon, i valgt søkeretning.
2. Søket stopper når radioen finner en stasjon med sterke signaler. **Obs!** Svakere stasjoner må stilles inn manuelt.

7.3 Manuelt søk av FM-stasjon (i FM-modus)

Trykk på [SKIP/TUNE<] eller [SKIP/TUNE>] for å velge ønsket frekvens.

7.4 Lagre FM-radiostasjoner til hurtigvalgmenyen

Man kan lagre inntil 10 FM-radiostasjoner som hurtigvalg. Lagrede FM-radiostasjoner overtar ikke plassen til hurtigvalg av DAB.

FM-radiostasjoner lagres slik:

1. Still inn ønsket stasjon.
2. Hold [PRESET/PROG] (3) inne i 2 sekunder. Den innstilte stasjonen og P# (hurtigvalgnummer) vises på skjermen.
3. Trykk på [SKIP/TUNE<] eller [SKIP/TUNE>] for å velge ønsket hurtigvalgnummer (1–10) hvor du vil at stasjonen skal lagres. Hvis det er en tidligere lagret stasjon på plass 1 vil navnet og frekvensen på denne vises. Hvis det ikke er lagret noe på denne plassen tidligere vil «Empty» vises i displayet.
4. Trykk på [SELECT] for å bekrefte.
5. «Preset # stored» vises når stasjonen er lagret.

Obs! Hvis det allerede er lagret en stasjon på den valgte plassen vil den bli erstattet av den nye.

7.5 Bla mellom de forskjellige lagrede FM-radiostasjonene (i FM-modus)

1. Trykk inn [PRESET/PROG] (3), og aktuell stasjon og dennes hurtigvalgnummer (#) vises.
2. Trykk på [SKIP/TUNE<] eller [SKIP/TUNE>] for å velge en av de lagrede stasjonene fra hurtigvalgnummer (1–10) .
3. Trykk på [SELECT] for å bekrefte at du vil lytte til den aktuelle stasjonen.

7.6 FM-displayinformasjon

Ved å trykke på [STOP/INFO] (8) gjentatte ganger får du frem følgende informasjon i displayet:

1. Audio Type: Displayet viser om mottaket er i mono eller stereo.
2. Scrolling text: tekst fra den FM-stasjonen du lytter til. Informasjonen kan f.eks. inkludere fakta om musikken som spilles.

3. Programme Type: viser programtype på sendingen: «Rock», «Pop», «News» etc. Hvis det ikke vises noen informasjon kommer «Program Type» opp.
4. Signal Strength: signalstyrken vises grafisk. Jo sterkere signaler, desto lengre indikator.
5. Date: viser hvilken dato det er i dag.
6. Time: viser aktuelt klokkeslett.
7. Frequency: frekvensen vises.

8. CD-spiller

8.1 Spille en CD-plate

1. Still inn funksjonsbryteren på [OFF/AUX/CD/DAB+/FM] (14) i **CD**-modus.
2. Lokket til CD-holderen åpnes ved at det løftes forsiktig opp.
3. CD-platen trykkes på plass.
4. Steng lokket ved å trykke det forsiktig ned.
5. CD-spilleren leser inn CD-platen. Når dette er fullført vises antall spor platen inneholder.
6. Trykk [PLAY/PAUSE FULL SCAN] for å starte avspillingen.
7. Trykk på [PLAY/PAUSE FULL SCAN] en gang til for å ta pause i avspillingen. Trykk igjen for å gjenoppta avspillingen.
8. Trykk på [STOP/INFO] (8) for å stoppe avspillingen eller still inn funksjonsbryteren [OFF/AUX/CD/DAB+/FM] (14) i en annen modus enn CD for å avslutte spillingen.

8.2 Gå til starten eller til neste spor på platen

1. Trykk en gang på [SKIP/TUNE>] (7) for å gå til neste spor.
2. Trykk en gang på [SKIP/TUNE<] (6) for å komme til starten på det sporet du spiller av.
3. Trykk gjentatte ganger på [SKIP/TUNE<] for å gå til det forrige sporet.

8.3 Programmert avspilling av CD-plate

Til sammen 20 spor kan forhåndsprogrammeres.

1. Trykk på [STOP/INFO] (8). Trykk så på [PRESET/PROG]. «PROG» blinker i displayet.
2. Trykk på [SKIP/TUNE<] eller [SKIP/TUNE>] for å velge det sporet som skal lagres.
3. Trykk på [PRESET/PROG] for å lagre det valgte sporet. «PROG02» vises på skjermen.
4. Gjenta trinn 2-3 for å legge inn flere spor i minnet.
5. Når programmeringen er ferdig, trykk på [PLAY/PAUSE FULL SCAN]. Avspillingen av CD-platen begynner etter programmeringen.
6. Trykk på [STOP/INFO] (8) for å stoppe avspillingen.
7. For å slette programmeringen, trykk enten på [STOP/INFO] to ganger, åpne CD-lokken, sett funksjonsvelgeren på en annen innstilling eller skru av.

8.4 Repetere ett spor

1. Under avspilling av en CD-plate, trykk en gang på [MODE, DAB+/FM], for å repetere det sporet som spilles. «REP 1» lyser på skjermen.
2. Trykk en gang til på [MODE, DAB+/FM], for å repetere alle sporene på platen. «REP ALL» vises på skjermen.
3. Trykk en tredje gang på [MODE, DAB+/FM] for å gå til tilfeldig avspilling. «RAND» vises på skjermen.
4. Trykk en fjerde gang på [MODE, DAB+/FM] for å gå til repetert avspilling. Ingen tekst vises i displayet når funksjonen er slått av.

9. Aktivere AUX-modus (ekstern lydkilde)

1. Still inn funksjonsbryteren på [OFF/AUX/CD/DAB+/FM] (14) i **AUX**-modus.
2. En ekstern lydkilde med passende kabel plugges til AUX IN (14).
3. Avspillingen styres fra den eksterne lydkilden. Volumet justeres både fra den eksterne lydkilden og på radioen.
4. Still funksjonsbryteren [OFF/AUX/CD/DAB+/FM] (14) på en annen innstilling enn **AUX** for å skru av belysningen fra den eksterne lydkilden.

10. Innstilling av klokkeslett og dato

1. I DAB- eller FM-modus: Trykk på [MENU] (4) for å vise meny på displayet.
2. Trykk på [SKIP/TUNE<] (6) eller [SKIP/TUNE>] (7) og velg **Set Time/Date**. Trykk på [SELECT] for å bekrefte.
3. «Set 12/24 hour» vises i displayet. Trykk på [SELECT].
4. Velg 12- eller 24-timers visning («Set 12 hour» eller «Set 24 hour») med [SKIP/TUNE<] eller [SKIP/TUNE>]. Trykk på [SELECT] for å bekrefte.
5. Trykk på [SKIP/TUNE<] eller [SKIP/TUNE>], velg **Set Time/Date** og trykk på [SELECT].
6. «Set time 00:00» vises (timer blinker). Still inn riktig time med [SKIP/TUNE<] eller [SKIP/TUNE>]. Trykk på [SELECT] for å bekrefte. Minuttene blinker. Still inn minuttangivelsen på samme måte. Trykk på [SELECT] for å bekrefte.
7. «Set Date» blinker. Still inn dato på samme måte. Trykk på [SELECT] for å bekrefte. «Time Saved» vises når innstillingen er fullført og lagret. **Obs!** Alle innstillinger av tid og dato må foretas før innstillingene lagres automatisk.
8. Velg ønsket kalendervisning: trykk på [SKIP/TUNE<] (6) eller [SKIP/TUNE>] (7), velg <Set Time/Date> og velg deretter **Set date format**. Trykk på [SELECT] for å bekrefte. Velg mellom visningene **DD-MM-YYYY** eller **MM-DD-YYYY** ved å dreie på [SKIP/TUNE<] eller [SKIP/TUNE>]. Trykk på [SELECT] for å bekrefte.

11. Reset – stille radioen tilbake til fabrikkinnstillingene

1. Hold [MODE DAB+/FM] inne i DAB+/FM-modus, til «Press ENTER key to reset» vises på skjermen.
2. Trykk raskt på [SELECT] (5) for å starte prosessen. «Press ENTER key OK» kommer opp på skjermen.
3. Etter at radioen er stilt tilbake til fabrikkinnstillingene vil den starte i DAB-modus og foreta en «Auto Scan».

Obs! Alle forhåndsinnstilte stasjoner forsvinner når radioen resettes.

13. Stell og vedlikehold

Rengjør produktet med en myk, tørr klut. Bruk aldri slipende rengjøringsmidler eller sterke løsemidler.

14. Feilsøking

Dårlige mottaksforhold for radio

- Trekk antennen helt ut.
- Flytt på radioen. Husk å foreta et nytt stasjonssøk etter flyttingen.
- Kontroller at det ikke er noen elektriske produkter, som mikrobølgeovn, lysrør etc., i nærheten. De kan være årsak til forstyrrelsene.

Ingen lyd

- Kontroller voluminnstillingene.
- Kontroller at strømbryteren er innstilt på **OFF** og at strømledningen er riktig koblet.
- Forsøk med å skifte til en annen kanal.

Funksjonsknappene virker ikke

- Kontroller at strømbryteren er innstilt på **OFF** og at strømledningen er riktig koblet.
- Skru av radioen og trekk ut støpselet. Vent i ca. ett minutt. Koble til strømledningen igjen.
- Still radioen tilbake til fabrikkinnstillingene se: *Reset – stille radioen tilbake til fabrikkinnstillingene.*

15. Avfallshåndtering

Når produktet skal kasseres, må det skje i henhold til lokale forskrifter. Hvis du er usikker, ta kontakt med lokale myndigheter.

16. Spesifikasjoner

Spenning	AC 230 V, 50 Hz
Frekvensområde	DAB+/DAB 174–240 MHz FM 87,5–108 MHz
AUX-tilkobling	3,5 mm
Batteritype	6 × C/LR14-batterier (selges separat)
Mål	25 × 13,5 × 21,5 cm

CD-Player mit DAB-Radio

Art.Nr. 38-6607 Modell CD-726DAB
38-6608 CD-726DAB

Vor Inbetriebnahme die komplette Bedienungsanleitung durchlesen und aufbewahren. Irrtümer, Abweichungen und Änderungen behalten wir uns vor. Bei technischen Problemen oder anderen Fragen freut sich unser Kundenservice über eine Kontaktaufnahme.

Inhaltsverzeichnis

1. Sicherheitshinweise	34
1.1 Sicherheitssymbole.....	34
2. Beschreibung.....	35
3. Betriebsspannung 230 V, 50 Hz	36
4. Batteriebetrieb.....	36
5. Gebrauch	36
5.1 Aufstellung	36
5.2 Das Gerät zum ersten Mal einschalten	36
5.3 Einschalten/Ausschalten des Radios und Funktionswahl.....	36
6. DAB+-Radio.....	37
6.1 DAB-Radio hören	37
6.2 „Full Scanning“ manuell aktivieren um automatisch nach DAB-Sendern zu suchen.	37
6.3 Manuelle Suche nach DAB-Sendern	37
6.4 Gefundene DAB-Sender abspeichern	38
6.5 Navigation zwischen den gefundenen DAB-Sendern (im DAB-Modus)	38
6.6 Unerwünschte DAB-Sender (PRUNE) im DAB-Modus entfernen	38
6.7 DAB-Displayinformation	38
7. UKW-Radio	39
7.1 Aktivierung des UKW-Modus.....	39
7.2 Automatische Suche nach dem nächsten UKW-Sendern (im UKW-Modus).....	39
7.3 Manuelle Suche nach UKW-Sendern (im UKW-Modus)	39
7.4 Gefundene UKW-Sender abspeichern	39
7.5 Navigation zwischen den gefundenen UKW-Sendern (im UKW-Modus)	39
7.6 UKW-Displayinformation	40
8. CD-Player.....	40
8.1 Eine CD abspielen	40
8.2 An den Anfang eines Titels oder zum nächsten Titel gehen	40
8.3 Programmiertes Abspielen einer CD	40
8.4 Einen Titel wiederholen.....	41
9. AUX-Modus benutzen (externe Audioquelle).....	41
10. Einstellung von Zeit und Datum.....	41
11. Reset – Zurücksetzen auf die Werkseinstellung	41
12. Pflege und Wartung.....	42
13. Fehlersuche	42
14. Hinweise zur Entsorgung	42
15. Technische Daten	42

1. Sicherheitshinweise

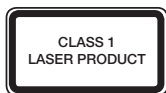
- Das Gerät nicht demontieren oder technisch verändern. Im Inneren des Produktes befinden sich nicht isolierte Komponenten mit gefährlicher Stromspannung. Bei Kontakt können diese zu Bränden oder Stromschlägen führen.
- Das Gerät ist nur zur Verwendung in Innenräumen geeignet.
- Das Gerät niemals hohen oder niedrigen Temperaturen, staubiger Umgebung, starken Erschütterungen, Flüssigkeiten oder Feuchtigkeit aussetzen.
- Das Gerät immer so aufstellen, dass es nicht in Wasser oder andere Flüssigkeiten fallen kann. Niemals Gegenstände mit Flüssigkeiten (z.B. Blumenvase oder Getränk) auf das Produkt stellen.
- Das Gerät nicht abdecken. Sicherstellen, dass auf allen Seiten mindestens 10 cm Platz für eine ausreichende Belüftung ist.
- Der Stromfluss zum Gerät wird erst unterbrochen, wenn der Netzstecker gezogen wird.
- Gehörschäden vermeiden. Das Gehör kann permanent geschädigt werden, wenn es über längere Zeit einer hohen Lautstärke ausgesetzt wird.
- Reparaturen sind nur von qualifizierten Servicetechnikern und mit Originalzubehör durchzuführen.
- Das Gerät nicht demontieren oder in anderer Weise verändern.
- Das Gerät nicht in der Nähe medizinischer Ausrüstung auf der Intensivstation usw. verwenden. Das Gerät nicht in der Nähe von Personen mit Herzschrittmacher etc. betreiben.

1.1 Sicherheitssymbole

Folgende Sicherheitssymbole sind zu beachten:



Warnung: Niemals das Gehäuse öffnen. Im Inneren des Produktes befinden sich nicht isolierte Komponenten mit gefährlicher Stromspannung. Kontakt mit diesen Komponenten kann zu Bränden oder Stromschlägen führen.



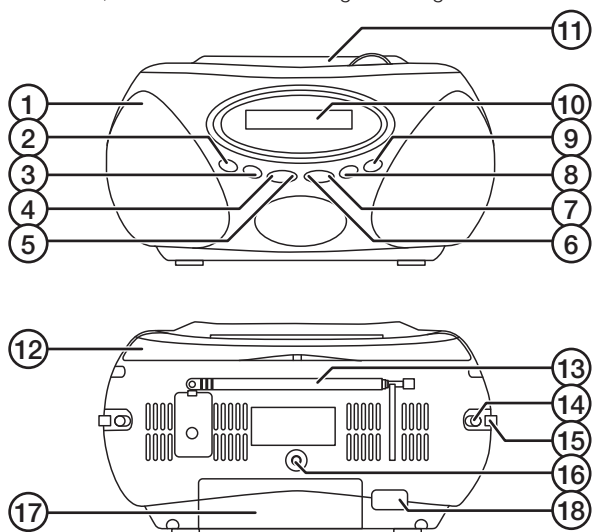
LASERGERÄT DER KLASSE 1

Warnung! Niemals das Gehäuse öffnen. Unsichtbare Laserstrahlen können zu Augenschäden führen. Niemals direkt in den Laserstrahl blicken. Der Laserstrahl darf auch nicht direkt mit optischen Instrumenten betrachtet werden.

2. Beschreibung

Verpackungsinhalt:

CD-Player mit DAB-Radio, Netzkabel und Bedienungsanleitung.



1. Lautsprecher
2. [MODE, DAB+/FM] Auswahl bestimmter Funktionen für CD, DAB- oder UKW-Radio.
3. [PRESET/PROG] Gefundene Sender abspeichern
4. [MENU] Die Taste an der linken Seite drücken um das Menü anzuzeigen.
5. [MENU] Die Taste an der rechten Seite drücken um zu bestätigen.
6. [SKIP/TUNE<] Den Schalter an der linken Seite drücken um in der Frequenz oder im Untermenü nach unten zu navigieren.
7. [SKIP/TUNE38-6607] Den Schalter an der rechten Seite drücken um in der Frequenz oder im Untermenü nach oben zu navigieren.
8. [STOP/INFO] Die CD-Wiedergabe stoppen oder Information über den Radiosender anzeigen.
9. [PLAY/PAUSE FULL SCAN] Wiedergabe starten/anhalten oder den Sendersuchlauf im DAB-Modus starten (Full Scan).
10. LCD-Display.
11. CD-Fach.
12. Griff.
13. Teleskopantenne für UKW.
14. [OFF/AUX/CD/DAB+/FM] Funktionswahlschalter.
 - OFF Ausgeschaltet
 - AUX Wiedergabe einer angeschlossenen externen Audioquelle, z. B. Telefon oder MP3-Player.
 - CD anhören
 - DAB+/FM Radio (DAB+ oder UKW) anhören
15. [VOLUME]: Lautstärkereglер.
16. AUX IN Low-Level-Eingang für externe Audioquelle (3,5-mm-Anschluss).
17. Batteriefach.
18. AC-Anschluss für Netzkabel.

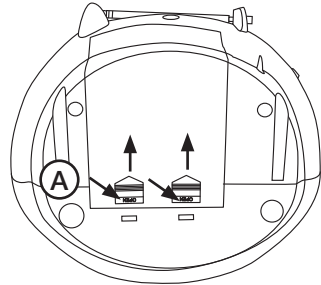
3. Betriebsspannung 230 V, 50 Hz

Das Netzkabel an den AC-Anschluss (18) und eine Steckdose anschließen.

- Das Netzkabel nicht mit feuchten Händen anfassen.
- Bei längerer Nichtbenutzung des CD-Players den Stecker ziehen.
- Nicht am Kabel ziehen, sondern am Stecker anfassen.

4. Batteriebetrieb

1. Um das Batteriefach (17) zu öffnen, an den Pfeilen herunterdrücken (siehe „OPEN“), sodass die Sperre (A) sich öffnet. Die Batterieabdeckung in Pfeilrichtung herauschieben.
2. 6 × C/LR14-Batterien (separat erhältlich) entsprechend der Markierung im Batteriefach einlegen.



5. Gebrauch

5.1 Aufstellung

Das Gerät auf einer ebenen Fläche im Innenbereich aufstellen, ohne direkte Sonneneinstrahlung, nicht zu nahe an heißen Gegenständen und nicht in feuchten Räumen wie z. B. Badezimmer.

5.2 Das Gerät zum ersten Mal einschalten

1. Sicherstellen, dass sich der Funktionswahlschalter in Position **OFF** befindet.
2. Die Teleskopantenne ausziehen und senkrecht ausrichten. Dies ist wichtig um beim ersten Start den besten Empfang zu erhalten und eine automatische Suche nach DAB- und UKW-Sendern durchzuführen.
3. Das Netzkabel am AC-Anschluss (18) anschließen.
4. Den Netzstecker in eine Steckdose stecken.
5. Zum Einschalten des Gerätes den Funktionswahlschalter (14) auf **DAB+/UKW** stellen. Auf dem Display wird „Welcome to Digital Radio“ angezeigt.
6. Das Gerät startet automatisch die Suche nach DAB-Radiosendern. Auf dem Display wird „Autotune Full Scan“ angezeigt und eine Verlaufsanzeige informiert über die laufende Suche und die Anzahl der gefundenen Sender. Nach abgeschlossener Suche spielt das Radio den ersten der gefundenen Sender ab. Wurden keine DAB-Sender gefunden, wird „No DAB Station“ angezeigt.
7. Alle gefundenen DAB-Sender werden gespeichert, sodass beim erneuten Einschalten des Gerätes keine neue Suche gestartet wird. Um manuell nach Sendern zu suchen, im DAB-Modus auf [PLAY/PAUSE FULL SCAN] (9) drücken.

5.3 Einschalten/Ausschalten des Radios und Funktionswahl

Der Funktionswahlschalter [OFF/AUX/CD/DAB+/FM] (14) wird zum Ein- und Ausschalten des Radios verwendet. Der Funktionswahlschalter hat vier versch. Positionen:

- **OFF** Ausgeschaltet
- **AUX** Versch. Audioquellen, die über AUX IN angeschlossen sind anhören, z. B. MP3-Player oder Mobiltelefon.
- **CD** CD anhören
- **DAB+/FM** Radio anhören. DAB startet zuerst (auf [MODE, DAB+/FM] (2) drücken um zu UKW zu wechseln, oder von UKW zurück zu DAB).

6. DAB+-Radio

DAB – Digital Audio Broadcasting

Digitalradio unterscheidet sich vom analogen Radio. Bei der DAB-Übertragung werden die Signale verschiedener Sender gebündelt und auf einer Frequenz gesendet. Diese Gruppen werden als Multiplexes and Ensembles bezeichnet. Sobald eine Gruppe gefunden ist wird der Name im unteren Teil des Displays angezeigt.

Weitere Dienste im DAB-Modus

In manchen Fällen kann nach dem Sendernamen das Symbol „>“ angezeigt werden. Dies bedeutet, dass weitere Dienste verfügbar sind. Dies kann z.B. bei Sportübertragungen ein extra Kommentar oder zusätzliche Information sein.

Automatisches Standby (bei Display ohne Beleuchtung)

Das Gerät geht automatisch in den Standby-Modus über, sobald der CD-Player längere Zeit im Stopp-Modus ist oder wenn das DAB-Radio keinen Empfang hat.

Den Funktionswahlschalter auf **OFF** setzen und danach die gewünschte Funktion wie z. B. **CD** auswählen, um das Gerät erneut zu starten.

6.1 DAB-Radio hören

DAB-Modus aktivieren

1. Den Funktionswähler in Position **DAB+/UKW** bringen. Auf dem Display wird „Welcome to Digital Radio“ angezeigt.
2. Nach dem ersten Einschalten befindet sich das Radio automatisch im DAB-Modus und führt einen Sendersuchlauf durch. Während des Sendersuchlaufs wird „Full Scanning“ und die Anzahl der gefundenen Sender auf dem Display angezeigt.
3. Nach dem Sendersuchlauf wird der Sender mit der niedrigsten Frequenz abgespielt.
4. Wurden keine DAB-Sender gefunden, wird „No DAB Station“ angezeigt.

6.2 „Full Scanning“ manuell aktivieren um automatisch nach DAB-Sendern zu suchen.

1. Den Funktionswähler in Position **DAB+/UKW** bringen. Auf dem Display wird „Welcome to Digital Radio“ angezeigt.
2. Auf [PLAY/PAUSE FULL SCAN] (9) (im DAB-Modus) drücken um den Sendersuchlauf zu starten („Full Scan“).
3. Auf dem Display wird während der Suche „Searching“ angezeigt. **Hinweis:** Die Suche kann 1 bis 2 Minuten dauern.
4. Gefundene Sender werden automatisch gespeichert. Um einen gespeicherten Sender anzuhören, auf [SKIP/TUNE<] oder [SKIP/TUNE>] drücken, um den gewünschten Sender auszuwählen. Mit [SELECT] bestätigen.

6.3 Manuelle Suche nach DAB-Sendern

1. Auf [MENU] (4) drücken, um das Menü anzuzeigen.
2. Auf [SKIP/TUNE<] (6) oder [SKIP/TUNE>] (7) drücken und **Manual Tune** auswählen. Mit [SELECT] bestätigen.
3. Auf [SKIP/TUNE<] oder [SKIP/TUNE>] um zwischen den DAB-Sendern zu wechseln (5A bis 13F).
4. Zum Bestätigen des gewünschten Senders auf [SELECT] drücken. Der ausgewählte Multiplex wird auf dem Display angezeigt.

6.4 Gefundene DAB-Sender abspeichern

Das Gerät kann bis zu 10 versch. DAB-Sender abspeichern. Gespeicherte DAB-Sender überschreiben keine gespeicherten UKW-Sender. DAB-Sender folgendermaßen abspeichern (Im DAB-Modus):

1. Den gewünschten Sender am Radio einstellen.
2. [PRESET/PROG] (2) 2 Sekunden lang gedrückt halten. Eingestellter Sender und „P#“ (# ist die Programmnummer) werden auf dem Display angezeigt.
3. Auf [SKIP/TUNE<] oder [SKIP/TUNE>] drücken um die gewünschte Nummer (1–10) auszuwählen, unter der der Sender gespeichert werden soll.
4. Mit [SELECT] bestätigen.

Hinweis: Befindet sich bereits ein Sender an dieser Stelle, wird dieser von dem neuen Sender überschrieben.

6.5 Navigation zwischen den gefundenen DAB-Sendern (im DAB-Modus)

1. Auf [PRESET/PROG] (3) drücken um den eingestellten Sender sowie dessen Schnellwahlnummer (P#) anzuzeigen.
2. Auf [SKIP/TUNE<] oder [SKIP/TUNE>] drücken um den gewünschten Sender auszuwählen.
3. Mit [SELECT] bestätigen.

Hinweis: Wenn das Radio den Sender wechselt, kann es kurzzeitig stumm werden.

6.6 Unerwünschte DAB-Sender (PRUNE) im DAB-Modus entfernen

1. Im DAB-Modus auf [MENU] (4) drücken.
2. Auf [SKIP/TUNE<] oder [SKIP/TUNE>] drücken um **PRUNE** auszuwählen.
3. Mit [SELECT] bestätigen.
4. „PRUNE“ wird auf dem Display angezeigt. Auf [SKIP/TUNE<] oder [SKIP/TUNE>] drücken und **NO** zum Abbrechen auswählen oder **YES** zum Löschen des aktuellen Senders.
5. Auf [MODE] (4) drücken, um zur normalen DAB-Funktion zurückzukehren.

6.7 DAB–Displayinformation

Wiederholt auf [STOP/INFO] (8) drücken um die folgende Information auf dem Display anzuzeigen:

- Frequency – Anzeige der Frequenz, z. B. „11C 220.352MHz“.
- Audio Bit Rate: Auf dem Display wird Radiomodus (DAB) und die empfangene digitale Audio-Bit-Rate angezeigt.
- Scrolling Text: Text, den der eingestellte Digitalradio-Sender aussendet. Die Information kann Fakten über aktuell gespielte Lieder etc. enthalten.
- Programme Type: Zeigt die Programmart der aktuellen Sendung an, z.B. „Rock“, „Pop“, „News“ etc. Ist keine Information vorhanden, wird „Programme Type“ angezeigt.
- Ensemble: Dies ist eine Sammlung von Sendern, die auf der gleichen Frequenz gesendet werden. Es gibt nationale und regionale Multiplexe. Regionale Multiplexe sind für eine Region angepasst.
- Signal Strength: Die Signalstärke wird grafisch angezeigt. Je stärker das Signal ist, desto länger ist der Indikator.
- Date: Zeigt das aktuelle Datum an.
- Time: Zeigt die aktuelle Uhrzeit an.

7. UKW-Radio

Die Teleskopantenne ausziehen und senkrecht ausrichten. Dies ist wichtig um bei der Suche nach UKW-Sendern den besten Empfang zu garantieren.

Wird das Radio angeschaltet startet es das vor dem Ausschalten zuletzt aktive Programm.

7.1 Aktivierung des UKW-Modus

1. Den Funktionswähler in Position **DAB+/UKW** bringen. Auf dem Display wird „Welcome to Digital Radio“ angezeigt (das Gerät startet immer im DAB-Modus).
2. Auf [MODE DAB+/FM] (2) drücken um **UKW** auszuwählen.
3. Die gewünschte Lautstärke mit [VOLUME] (15) einstellen.

7.2 Automatische Suche nach dem nächsten UKW-Senders (im UKW-Modus)

1. Auf [PLAY/PAUSE FULL SCAN] (9) drücken oder [SKIP/TUNE<] bzw. [SKIP/TUNE>] ca. 1 Sekunde gedrückt halten um eine automatische Suche nach dem nächsten Sender in der gewählten Suchrichtung zu starten.
2. Die Suche stoppt, sobald ein Sender mit gutem Empfang gefunden wurde.
Hinweis: Sender mit schwachem Empfang müssen manuell eingestellt werden.

7.3 Manuelle Suche nach UKW-Sendern (im UKW-Modus)

Auf [SKIP/TUNE<] (6) oder [SKIP/TUNE>] (7) drücken um die gewünschte Frequenz auszuwählen.

7.4 Gefundene UKW-Sender abspeichern

Das Gerät kann bis zu 10 versch. UKW-Sender abspeichern. Gespeicherte UKW-Sender überschreiben keine gespeicherten DAB-Sender.

UKW-Sender folgendermaßen abspeichern:

1. Den gewünschten Sender am Radio einstellen.
2. [PRESET/PROG] (3) 2 Sekunden lang gedrückt halten. Eingestellter Sender und „P#“ (Schnellwahlnummer) werden auf dem Display angezeigt.
3. Auf [SKIP/TUNE<] (6) oder [SKIP/TUNE>] (7) drücken um die gewünschte Nummer (1–10) auszuwählen, unter der der Sender gespeichert werden soll. Befindet sich bereits ein Sender auf Speicherplatz 1 wird dessen Name und Frequenz angezeigt, befindet sich dort kein Sender, wird auf dem Display „Empty“ angezeigt.
4. Mit [SELECT] bestätigen.
5. „Preset # stored“ wird angezeigt wenn der Sender gespeichert wurde.

Hinweis: Befindet sich bereits ein Sender an dieser Stelle, wird dieser von dem neuen Sender überschrieben.

7.5 Navigation zwischen den gefundenen UKW-Sendern (im UKW-Modus)

1. Auf [PRESET/PROG] (3) drücken um den aktuellen Sender und dessen Schnellwahlnummer (#) anzuzeigen.
2. Auf [SKIP/TUNE<] (6) oder [SKIP/TUNE>] (7) drücken um einen der gespeicherten Sender (Schnellwahl 1–10) auszuwählen.
3. Auf [SELECT] drücken um den ausgewählten Sender zu bestätigen.

7.6 UKW-Displayinformation

Wiederholt auf [STOP/INFO] (8) drücken um die folgende Information auf dem Display anzuzeigen:

1. Audio Type: das Display zeigt an, ob der Empfang mono oder stereo ist.
2. Scrolling Text: Text, den der eingestellte UKW-Sender aussendet. Die Information kann Fakten über aktuell gespielte Lieder etc. enthalten.
3. Programme Type: Zeigt die Programmart der aktuellen Sendung an, z.B. „Rock“, „Pop“, „News“ etc. Ist keine Information vorhanden, wird „Programme Type“ angezeigt.
4. Signal Strength: Die Signalstärke wird grafisch angezeigt. Je stärker das Signal ist, desto länger ist der Indikator.
5. Date: Zeigt das aktuelle Datum an.
6. Time: Zeigt die aktuelle Uhrzeit an.
7. Frequency: Zeigt die Frequenz an.

8. CD-Player

8.1 Eine CD abspielen

1. Den Funktionswahlschalter [OFF/AUX/CD/DAB+/FM] (14) auf **CD** setzen.
2. Die CD-Klappe durch vorsichtiges Anheben öffnen.
3. Eine CD auf die CD-Aufnahme in der Mitte des CD-Fachs festdrücken.
4. Die Klappe durch vorsichtiges Herunterdrücken schließen.
5. Der CD-Player liest die CD-Scheibe ab. Wenn er damit fertig ist, wird die Anzahl gefundener Titel angezeigt.
6. Auf [PLAY/PAUSE FULL SCAN] drücken um die CD-Wiedergabe zu starten.
7. Erneut auf [PLAY/PAUSE FULL SCAN] drücken um die CD-Wiedergabe kurzzeitig zu stoppen (PAUSE). Um die Wiedergabe fortzusetzen, erneut drücken.
8. Um die Wiedergabe zu beenden auf [STOP/INFO] (8) drücken oder den Funktionswahlschalter [OFF/AUX/CD/DAB+/FM] (14) in einen anderen Modus versetzen.

8.2 An den Anfang eines Titels oder zum nächsten Titel gehen

1. Einmal auf [SKIP/TUNE>] (7) drücken um zum nächsten Titel zu gehen.
2. Einmal auf [SKIP/TUNE<] (6) drücken um zum Beginn des aktuell gespielten Titels zu gelangen.
3. Mehrfach auf [SKIP/TUNE<] drücken um zum vorherigen Titel zu gehen.

8.3 Programmiertes Abspielen einer CD

Insgesamt können 20 Titel für die Wiedergabe programmiert werden.

1. Auf [STOP/INFO] (8) drücken. Auf [PRESET/PROG] drücken. „PROG“ blinkt auf dem Display.
2. Auf [SKIP/TUNE<] (6) oder [SKIP/TUNE>] (7) drücken um den Titel auszuwählen, der gespeichert werden soll.
3. Auf [PRESET/PROG] drücken, um den gewählten Titel im Speicher abzuspeichern. Auf dem Display wird „PROG2“ angezeigt.
4. Um weitere Titel im Speicher abzuspeichern, die Schritte 2-3 wiederholen.
5. Wenn alle gewünschten Titel gespeichert wurden, den Programmiervorgang mit [PLAY/PAUSE FULL SCAN] beenden. Die CD wird nun in der programmierten Titelreihenfolge abgespielt.
6. Zum Beenden der Wiedergabe auf [STOP/INFO] (8) drücken.
7. Um die Programmierung zu löschen, entweder zweimal auf [STOP/INFO] (8) drücken, das CD-Fach öffnen, den Funktionswahlschalter in einen anderen Modus versetzen oder das Gerät komplett ausschalten.

8.4 Einen Titel wiederholen

1. Während des Abspielens einer CD einmal auf [MODE, DAB+/FM] (2) drücken, um den aktuellen Titel zu wiederholen. „REP 1“ blinkt auf dem Display.
2. Ein zweites Mal auf [MODE, DAB+/FM] drücken, um alle Titel zu wiederholen. Auf dem Display wird „REP ALL“ angezeigt.
3. Ein drittes Mal auf [MODE, DAB+/FM] drücken um die Zufallswiedergabe zu starten. „RAND“ wird auf dem Display angezeigt.
4. Ein viertes Mal auf [MODE, DAB+/FM] drücken um die Zufallswiedergabe zu beenden. Wenn die Funktion ausgeschaltet ist, zeigt das Display keinen Text mehr an.

9. AUX-Modus benutzen (externe Audioquelle)

1. Den Funktionswahlschalter [OFF/AUX/CD/DAB+/FM] (14) auf **AUX** setzen.
2. Eine externe Audioquelle mit einem geeigneten Kabel an AUX IN (14) anschließen (Buchse für 3,5 mm Klinkestecker).
3. Die Wiedergabe wird von der externen Audioquelle aus gesteuert. Für optimale Audioqualität die Lautstärke am externen Gerät sowie am Radio einstellen.
4. Den Funktionswahlschalter [OFF/AUX/CD/DAB+/FM] (14) in einen anderen Modus versetzen um die Wiedergabe von einer externen Audioquelle zu stoppen.

10. Einstellung von Zeit und Datum

1. Im DAB- oder UKW-Modus: Auf [MENU] (4) drücken, um das Menü auf dem Display anzuzeigen.
2. Auf [SKIP/TUNE<] (6) oder [SKIP/TUNE>] (7) drücken und **Set Time/Date** auswählen. Mit [SELECT] bestätigen.
3. Auf dem Display wird „Set 12/24 hour“ angezeigt. Auf [SELECT] drücken.
4. 12- oder 24-Stundenanzeige („Set 12 hour“ oder „Set 24 hour“) mit [SKIP/TUNE<] oder [SKIP/TUNE>] auswählen. Mit [SELECT] bestätigen.
5. Auf [SKIP/TUNE<] oder [SKIP/TUNE>] drücken, **Set Time/Date** auswählen und auf [SELECT] drücken.
6. „Set time 00:00“ wird angezeigt (die Stunden blinken), mit [SKIP/TUNE<] oder [SKIP/TUNE>] die korrekte Stunde einstellen. Mit [SELECT] bestätigen. Die Minuten blinken, die korrekte Minutenanzeige auf dieselbe Weise einstellen. Mit [SELECT] bestätigen.
7. „Set Date“ blinkt, jetzt das Datum auf dieselbe Weise wie die Uhrzeit einstellen. Mit [SELECT] bestätigen. „Time saved“ wird angezeigt, wenn Uhrzeit und Datum abgespeichert wurden. Hinweis: Alle Einstellungen für Uhrzeit und Datum müssen durchgeführt werden, bevor diese automatisch gespeichert werden.
8. Um die gewünschte Kalenderanzeige auszuwählen, auf [SKIP/TUNE<] (6) oder [SKIP/TUNE>] (7) drücken, dann <Set Time/Date> auswählen und anschließend **Set date format**. Mit [SELECT] bestätigen. Die Anzeige von entweder **DD-MM-YYYY** (TT-MM-JJJJ) oder **MM-DD-YYYY** (MM-TT-JJJJ) wählen, dazu auf [SKIP/TUNE<] oder [SKIP/TUNE>] drücken. Mit [SELECT] bestätigen.

11. Reset – Zurücksetzen auf die Werkseinstellung

1. Im DAB+/UKW-Modus [MODE DAB+/FM] gedrückt halten bis „Press ENTER key to reset“ auf dem Display angezeigt wird.
2. Kurz auf [SELECT] (5) drücken um das Zurücksetzen zu starten. „Press ENTER key OK“ wird auf dem Display angezeigt.
3. Nach dem Zurücksetzen startet das Radio im DAB-Modus und führt einen „Auto Scan“ durch.

Hinweis: Beim Zurücksetzen wird die Favoritenliste geleert.

12. Pflege und Wartung

Das Produkt mit einem trockenen Tuch reinigen. Niemals Lösungsmittel oder scheuernde Reinigungsmittel benutzen.

13. Fehlersuche

Schlechter Radioempfang

- Die Antenne vollständig herausziehen.
- Den Platz wechseln. Daran denken, nach dem Umstellen einen neuen Sendersuchlauf durchzuführen.
- Sicherstellen, dass keine elektrischen Produkte wie Mikrowelle, Leuchtstoffröhren usw. den Radioempfang stören.

Kein Ton

- Die Lautstärkeeinstellung überprüfen.
- Sicherstellen, dass der Ein-/Ausschalter nicht auf Position **OFF** steht und das Netzteil korrekt angeschlossen ist.
- Probeweise einen anderen Sender auswählen.

Die Funktionstasten funktionieren nicht

- Sicherstellen, dass der Ein-/Ausschalter nicht auf Position **OFF** steht und das Netzteil korrekt angeschlossen ist.
- Das Radio ausschalten, den Netzstecker ziehen und ca. 1 Minute warten. Dann das Netzkabel wieder an die Steckdose anschließen.
- Das Radio auf die Werkseinstellung zurücksetzen, siehe *Reset – Zurücksetzen auf die Werkseinstellung*.

14. Hinweise zur Entsorgung

Bitte das Produkt entsprechend den lokalen Bestimmungen entsorgen. Weitere Informationen sind von der Gemeinde oder den kommunalen Entsorgungsbetrieben erhältlich.

15. Technische Daten

Betriebsspannung	AC 230 V, 50 Hz
Frequenzbereich	DAB+/DAB, 174–240 Mhz UKW 87,5–108 MHz
AUX-Anschluss	3,5 mm
Batterieart	6 × C/LR14 (separat erhältlich)
Maße	25 × 13,5 × 21,5 cm

Sverige

Kundtjänst tel: 0247/445 00
fax: 0247/445 09
e-post: kundservice@clasohlson.se

Internet www.clasohlson.se

Post Clas Ohlson AB, 793 85 INSJÖN

Norge

Kundesenter tlf.: 23 21 40 00
faks: 23 21 40 80
e-post: kundesenter@clasohlson.no

Internett www.clasohlson.no

Post Clas Ohlson AS, Postboks 485 Sentrum, 0105 OSLO

Suomi

Asiakaspalvelu puh.: 020 111 2222
sähköposti: asiakaspalvelu@clasohlson.fi

Internet www.clasohlson.fi

Osoite Clas Ohlson Oy, Maistraatinportti 4 A, 00240 HELSINKI

Great Britain

Customer Service contact number: 0845 300 9799
e-mail: customerservice@clasohlson.co.uk

Internet www.clasohlson.com/uk

Postal 10 – 13 Market Place
Kingston Upon Thames
Surrey
KT1 1JZ

Deutschland

Kundenservice Unsere Homepage www.clasohlson.de besuchen und auf Kundenservice klicken.

clas ohlson