

# EXIBEL®

## Stereo with CD and USB

Musikanläggning med CD och USB • Musikkannlegg med CD og USB  
Ministereot, CD-soitin ja USB-liitäntä



Art.no.	Model	English	3
18-8007	KW-102MP3US-UK	Svenska	17
38-2367	KW-102MP3US	Norsk	31
		Suomi	45



# Stereo with CD and USB

Art.no: 18-8007

Model: KW-102MP3US-UK

Art.no: 38-2367

Model: KW-102MP3US

Please read the entire instruction manual before using and save it for future use. We apologise for any text or photo errors and any changes of technical data. If you have any questions concerning technical problems please contact our Customer Service Department (see address on reverse).

## Safety

- The product should only be repaired by qualified service personnel.
- The product should not be taken apart or modified.
- Do not place the product where it could fall into water or another type of liquid. Do not place any objects which contain liquid on the product, e.g. flower vase or soft drink.
- Shut off the standby function during night time or when you travel away.
- Do not cover the product. Adequate ventilation with a distance of at least 15 cm between ventilation holes and surrounding area is necessary to prevent the device from becoming too warm.
- Do not place the stereo in a damp, dusty environment or where there are strong vibrations.

## Note the following safety symbols



**Warning!** Do not open the casing! Dangerous current exists in unprotected components within the product's casing. Contact with these can lead to fire or give electric shocks.



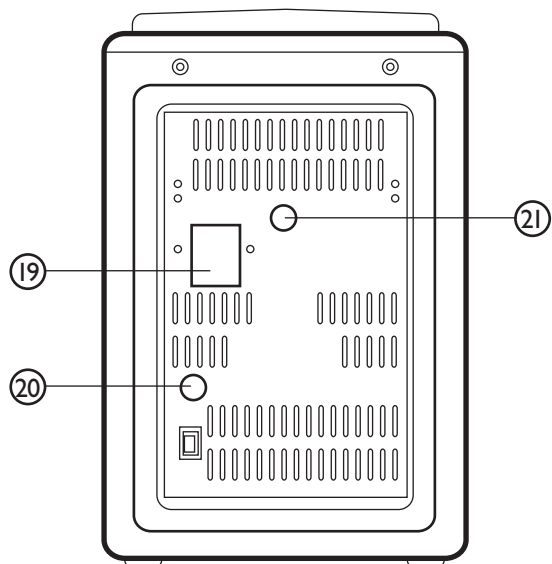
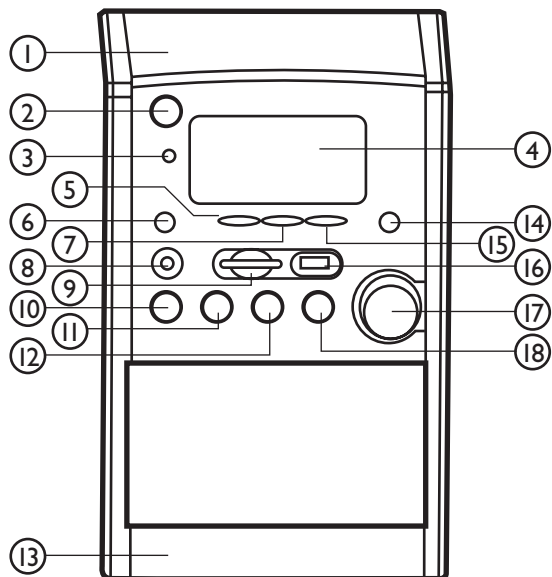
### CLASS 1 LASER DEVICE

**Warning!** Do not open the casing! This product contains invisible laser radiation which can cause eye damage. Do not look directly into the laser beam or look directly at it through an optical instrument.

## Product Description

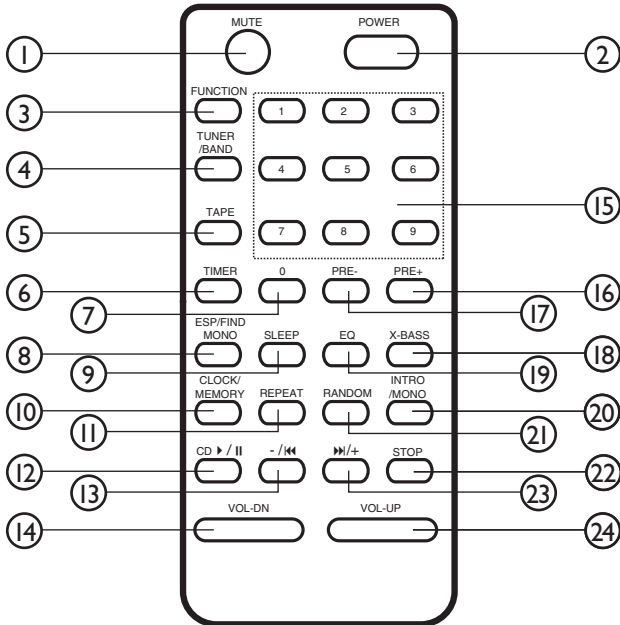
- Stereo with CD/MP3 player
- Cassette player
- AM/FM radio
- Connection for USB memory and MMC/SD card
- Reads the MP3 files' ID3 tag
- Outlet for headphones
- Operates on 230 V
- Comes with remote control which operates on 2x R03 batteries (not included)

# Main device



1. **CD slot**
2. **STAND BY** Switch – press to turn on/off the device
3. **Receiver for the remote control's signal**
4. **LCD-display**
5. **TUNER/BAND** Band switch
6. **FUNCTION** Function switch
7. **CLOCK/MEMORY** Set /display/programme the time CD playing
8. **AUX IN** Line in/out
9. **SD/MMC** Memory card reader for SD/MMC
10. **STOP** Press to stop playing of CD or MP3
11. **[⏮]** In CD mode, press once to return to the beginning of the track.  
Press several times to go back to previous tracks  
In radio mode, press once or several times to switch radio channel.
12. **[⏭]** In CD mode, press once to go to next track.  
In radio mode, press once or several times to switch radio channel.
13. **Function buttons for cassette player (under the cassette door)**
14. **ESP/FIND** In MP3 mode, press once to display available albums. Hold the button pressed in to display the MP3 file's ID3 tag.  
In radio mode, press to switch between stereo and mono.
15. **REPEAT** Repeat playing
16. **USB-port**
17. **VOLUME** Volume control
18. **PLAY/PAUSE** In CD- or MP3 mode, press once to start playing.
19. **SPEAKERS** Speaker connection
20. **Mains lead**
21. **Headphone socket (3.5 mm stereo)**

# Remote control



1. **[MUTE]** Press to temporarily shut off the sound.
2. **[POWER]** Press to turn on/off the device.
3. **[FUNCTION]** Press to choose between CD, radio, cassette, or MP3 via USB memory card.
4. **[TUNER/BAND]** Direct button for switching radio/frequency.
5. **[TAPE]** Direct button for the cassette player.
6. **[TIMER]** Activates or shuts off the timer function.
7. **[0]** Button for selecting tracks/saved radio channels.
8. **[ESP/FIND/MONO]** In the MP3 mode, press once to show available albums. Hold the button to display the MP3 file's ID3 tag. In radio mode, press to switch between stereo and mono.
9. **[SLEEP]** Activates or shuts off the timer function. Shuts off the radio or CD player after 10-90 minutes.
10. **[CLOCK/MEMORY]** Sets/displays/programmes the CD playing.
11. **[REPEAT]** Repeats a whole track or album.
12. **[▶/||]** In CD or MP3 mode, press once to start playing. Press once to stop.
13. **[←/⏮]** In CD mode, press once to return to the beginning of the track. Press several times to go back to previous tracks. In radio mode, press once or several times to switch radio channel.
14. **[VOL-DN]** Press to lower the volume.
15. **[1 – 9]** Numerical buttons for selecting tracks/saved radio channels.
16. **[PRE+]** In MP3 mode, press to switch to next album. In radio mode, press to switch to next saved radio channel.
17. **[PRE]** In MP3 mode, press to switch to previous album. In radio mode, press to switch to previous saved radio channel.
18. **[DBBS]** (Dynamic Bass Boost) Press to activate or shut off amplified base sound.
19. **[EQ]** Press once or several times to change sound settings.
20. **[INTRO]** In CD mode, press to play the first 10 seconds of each track.
21. **[RANDOM]** Press to activate random playing of CD or MP3.
22. **[STOP]** Press to stop playing of CD or MP3.
23. **[▶▶/+]** In CD mode, press once or several times to go to next track. In radio mode, press once or several times to switch radio channel.
24. **[VOL-UP]** Press to increase the volume.

# Installation

## Speakers

Connect the speakers to the outlet **SPEAKERS** on the back of the device.

Connect the right speaker to the outlet marked **R** and the left speaker to the outlet marked **L**.

## Mains connection

Connect the mains cord to a wall socket. Check that the voltage (V) which is shown in the marking table on the back of the device is the same as in your local electrical network (230 V AC, 50 Hz). Get advice from the retailer or at a place of service if it is not the same.

To completely shut off the power: Pull out the plug from the wall socket. Also pull out the plug from the wall socket during strong thunder storms to protect the device.

## Setting the clock

The clock can only be set when the stereo is in Stand-By mode.

1. Press [STAND BY] (2) on the main device (not on the remote control) to return to Stand-By mode.
2. Press and hold [CLOCK/MEMORY] (7) on the main device for 3 seconds, --:-- blinks in the display.
3. Press [▶▶] or [◀◀] to choose between 12 or 24 hour display. Confirm by pushing [CLOCK/MEMORY].
4. Press repeatedly [▶▶] or [◀◀] to set hours. Confirm with [CLOCK/MEMORY].
5. Press repeatedly [▶▶] or [◀◀] to set minutes. Push [CLOCK/MEMORY] to save settings.
6. Press [STAND BY] (2) on the main device to exit Stand-By mode.



## Use

### Shut off the power, save energy!

To avoid unnecessary electrical consumption, always shut off the stereo when not in use.

### Listening to the radio

#### Manual setting of radio channel

1. Place the antenna for best possible reception.
2. Press [FUNCTION] (6) once or [TUNER/BAND] (5) to activate the radio.
3. Choose frequency (AM or FM) with [TUNER/BAND] (5).
4. Set the desired frequency with [▶▶] (12) or [◀◀] (13).
5. Choose stereo or mono reception with the button [ESP/FIND/MONO] (8 on the remote control).
6. Adjust the volume with the volume control (17) (or with 14/24 on the remote control).

#### Automatic search for radio station

1. Place the antenna for best possible reception.
2. Press [FUNCTION] (6) once or [TUNER/BAND] (5) to activate the radio.
3. Choose frequency with [TUNER/BAND] (5)
4. Press and hold [▶▶] (12) or [◀◀] (13) for approx. 1 to 2 seconds until the search starts, release the button.
5. The search stops when a radio station is found.
6. Repeat step 3 and 4 until you have found desired radio station.
7. Adjust the volume with the volume control (17) (or with 14/24 on the remote control).

#### Store radio channels (via the remote control)

You can store up to 20 radio channels in the memory (10x FM and 10x AM).

1. Search for radio channel according to the instructions above.
2. Press (AM or FM) with [TUNER/BAND] (5) once to activate the programming mode. The channel indicator is blinking in the display
3. Use PRE+ and PRE- to choose the memory spot as the channel shall be saved at.
4. Press CLOCK/MEMORY again to confirm and save the settings.
5. Repeat step 1 to 4 to store more radio channels.

#### Advice for best reception!

**AM:** The stereo has a built-in ferri antenna for AM reception. If the reception is weak, the stereo can be moved or turned for better reception.

**FM:** Fold out the antenna and place it vertically. Experiment until you find the best position.

## Playing a CD

1. Open the CD compartment by pushing the CD door down at the marking **OPEN/CLOSE**. A click will sound when the CD door opens.
2. Place a CD (Audio or CD-R/CD-RW containing MP3 files) with the text up in the CD compartment.
3. Close the CD compartment by pushing the CD door down at the marking **OPEN/CLOSE**. A click will sound when the CD door shuts.
4. Choose CD mode with [FUNCTION] (6).
5. After a little while the total amount of tracks are shown in the display.
6. Press [PLAY/PAUSE] (18) to start playing. The first track is played.
7. Press [PLAY/PAUSE] (18) to temporarily stop the playing. Current track number blinks in the display. Press [PLAY/PAUSE] (18) to continue playing.
8. To stop playing, press [STOP] (10) once.

### Choosing a different track

1. During the playing or in pause mode you can use [▶▶] (12) or [◀◀] (13) to choose another track.
2. Press shortly once [▶▶] to get to the next track, or press repeatedly until the desired track number is shown in the display.
3. Press [◀◀] (13) shortly to return to the track that is being played. Press shortly more than once to return to previous tracks.

### Finding a specific sequence in a track

(only for CDs and CDs containing MP3 files)

1. Press and hold [▶▶] (12) or [◀◀] (13) to search for a sequence in a track.  
The CD is now being played with high speed and low volume.
2. Release the button when you hear the section you are seeking.  
Normal playback resumes.

### Playing a CD containing MP3 files

1. Place a CD containing MP3 files in the CD compartment.
2. Choose CD mode with [FUNCTION] (6).
3. The display shows the amount of tracks and album/catalogues.
4. Use [PRE+] (16) or [PRE-] (17) (on the remote) to choose album/catalogue.
5. Use [▶▶] (12) or [◀◀] (13) to select track.
6. Press [PLAY/PAUSE] (18) to start playing.
7. Repeat step 3 and 4 to choose a different track or album/catalogue.
8. To stop playing, press [STOP] (10) once.

## Playing MP3 files from a USB memory or memory card

1. Choose CARD-USB with [FUNCTION] (6). The display will show "CARD-USB".
2. Insert a USB memory and a memory card of type SD or MMC.
3. The display will show the total amount of tracks and album/catalogues that are stored.
4. Use [PRE+] (16) or [PRE-] (17) (on the remote) to choose album/catalogue.
5. Use [▶▶] (12) or [◀◀] (13) to select track.
6. Press [PLAY/PAUSE] (18) to start playing.
7. Repeat step 4 and 5 to choose a different track or album/catalogue.
8. To stop playing, press [STOP] (10) once.

### Searching for a track (MP3)

1. Press [ESP/FIND] (14) once to activate the search function.
2. Use [▶▶] (12) or [◀◀] (13) to search through all the tracks in alphabetical order.
3. When the desired track is shown in the display, press [PLAY/PAUSE] (18) to start playing.

### Searching for an album (MP3)

1. Press [ESP/FIND] (14) once to activate the search function.
2. Use [▶▶] (12) or [◀◀] (13) to search through all the albums in alphabetical order.
3. When the desired track is shown in the display, press [PLAY/PAUSE] (18) to start playing of the first track.

## Advanced functions (CD/MP3)

### Repeated playing

Press once or several times on [REPEAT] (15) to repeat a track, album/catalogue (only MP3) or a full CD. The display indicates which repetition mode that has been chosen.

### Random playing

Press [RANDOM] (21) (on the remote) to activate random playing. "RANDOM" is indicated on the display when the function is activated.

Press [RANDOM] (21) or [STOP] (10) again to shut off random playing.

### ESP (Anti-shake function)

ESP is automatically activated when a CD with MP3 files is being played.

Press [ESP/FIND] (14) to shut off the function.

### Programmed playing (CD/MP3 disc/USB-memory/memory card)

Up to 64 tracks can be programmed in optional order.

1. Push [CLOCK/MEMORY] (7) once. "MEMORY", program number and track number is shown in the display.
2. Set the desired track with [▶▶] (12) or [◀◀] (13)
3. Confirm by pressing [CLOCK/MEMORY] (7) once.
4. Repeat step 2 and 3 to programme more tracks.
5. Press [PLAY/PAUSE] (18) to start playing your list.
6. Press [STOP] (10) to stop your playing and clear the program.

### MUTE function

To temporarily shut off the sound, press [MUTE] (1) (on the remote).

Push [MUTE] (1) again to reset the volume.

### Preinstalled equalizer

Press [EQ] (19) repeatedly to select sound setting. The display indicates set sound.

## Playing a cassette tape

1. Choose TAPE as source with [FUNCTION] (6) or by pressing [TAPE] (5) on the remote.
2. Open the cassette door (13) above the buttons.
3. Press [■▲] [STOP/EJECT] to open the cassette door.  
(The buttons are hidden behind the door)
4. Insert a tape and shut the cassette door.
5. Press [▶] [PLAY] to start playing.
6. Press [⏸] [PAUSE] if you want to stop the playing temporarily.  
Press [⏸] [PAUSE] again to resume the playing.
7. By pressing [◀◀] or [▶▶] you can fast forward or rewind the tape in both directions.
8. Press [■▲] [STOP/EJECT] to stop the tape. The buttons are released automatically when the tape comes to an end, unless the [⏸] PAUSE button is pushed in.

## Recording

### Common information regarding recording

Recording is allowed as long as it does not break the copy right law or other rights owned by a third party.

The cassette recorder is not suitable for recording on cassettes of type CHROME (IEC II) or METAL (IEC IV). Use cassettes of type NORMAL (IEC I) where the flaps have not been removed.

The best level for recording is automatically set. It is impossible to affect an ongoing recording with the VOLUME and DBBS functions.

During 7 seconds in the beginning and end of the tape no recording is done. In order to prevent a tape is deleted by mistake you can break one or both of the flaps on the bottom. It is now not possible to record on the side on which the flap was removed.

If the holes that were covered by the flaps are taped over it is once again possible to record on the tape.

### Recording from radio, CD or MP3

1. Choose CD or MP3 with [FUNCTION] (6).
2. Press [■▲] [STOP/EJECT] to open the cassette door.
3. Insert a cassette and shut the cassette door.
4. At the same time press [●] [RECORD] and [▶] to start the recording.
5. Press [⏸] [PAUSE] if you temporarily want to stop the recording.
6. Press [⏸] [PAUSE] again to resume the playing.
7. Press [■▲] [STOP/EJECT] to end the recording.

# Care and Maintenance

## General Care

Use a soft, dry cloth to clean the device. Do not use detergent which contains alcohol, ammonia, petrol or abrasives as it can damage the casing.

## Handling of CD player and CD discs



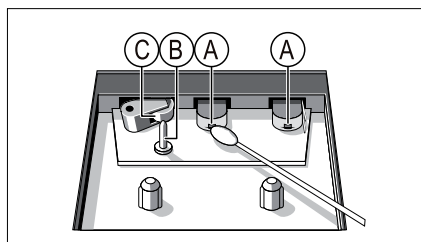
- The CD player's lens must not be touched!
- Sudden changes in the surrounding temperature can cause condensation and the lens can be covered by vapour. In this case, it is not possible to play a CD.
- Do not try to dry off the lens. Instead let the device stand in a warm room until the moisture has evaporated.
- Always close the CD door to keep the CD pocket free from dust. Use a soft, dry cloth to take away the dust from the pocket if it is needed.
- If the CD needs to be cleaned it can be cleaned with a soft, lintfree cloth from the middle out towards the edge in a straight line. Do not use detergent as it can damage the CD.
- Never attach stickers to the CD.

## Maintenance of the cassette player

To receive good quality at recording and playing part A, B, and C on the fig. be cleaned after approx. 50 hours of playing or once a month on average. Use a top dipped in alcohol or other cleaning solution for audio head.

1. Open the cassette door by pressing [ ■ ▲ ] [STOP/EJECT].
2. Tryck på [ ▶ ] [PLAY] and clean the rolls made of rubber (C).
3. Press [ || ] [PAUSE] and clean the magnet heads (A) and (B).
4. ■ Press [ ■ ▲ ] [STOP/EJECT] after the cleaning.

**NOTE:** A cleaning cassette tape can also clean the heads.



# Troubleshooting Guide

In case of errors, check the following things before the device is sent in for repair. Do not open the device due to electrical shock hazards. Contact customer services or a store if you cannot solve the problem by following the advice below.

## WARNING!

Do not under any circumstances try and repair the device on your own because it will terminate your warranty.

Problem	Cause	Solution
No sound/ No voltage	Volume control is installed at "0".	Adjust the volume.
	Power cord not connected.	Check the cord and plug it in.
The display does not work. The display does not react at all when pushing buttons.	Static electricity.	Shut off and pull out the plug. Put the plug back in again after a couple of seconds.
Bad sound from the cassette.	Dust or dirt on heads etc.	Clean the cassette player's parts. See instructions.
	Wrong type of cassette (METAL or CROME)	Only use cassettes of type NORMAL (IEC I) when recording.
Recording to cassette does not work.	The cassette's flaps may be broken.	Use another cassette tape or cover the hole where the flap was sitting.
No disc indication.	No CD is inserted.	Insert a CD, CD-R or CD-RW.
	The CD disc is scratched or dirty.	Change or clean the disc. See instructions.
	The laser lens is misty.	Wait until mist is gone.
	The CD-R disc is empty or the copying has not finished.	Use a finalized CD-R.
Playing of the CD does not work.	The CD disc is scratched or dirty.	Change or clean the disc. See instructions.
	The laser lens is misty.	Wait until mist is gone.
The CD player hops over tracks.	The CD disc is scratched or dirty.	Change or clean the disc. See instructions.
	A program is activated.	Deactivate the programme. See programmed playing.
MP3 files from the USB or memory card cannot be played.	The memory is not connected properly.	Remove and insert the memory again.
	The memory does not contain valid MP3 files.	Connect a memory containing MP3 or WMA files.

## Disposal

Follow local ordinances when disposing of this product. If you are unsure about how to dispose of this product contact your municipality.

## Specifications

Mains supply:	230 V AC, 50 Hz
Power use:	25 W
Battery type (remote control):	1 AAA/LR03 battery
Frequency area radio:	FM 87.5 – 108 MHz AM: 522 – 1,620 kHz
Size:	170 x 258 x 277 mm

### MP3 player

Format:	ISO9660
Bit rate:	8 – 320 kBit/s



# Musikanläggning med CD och USB

Art.no: 18-8007

Model: KW-102MP3US-UK

Art.no: 38-2367

Model: KW-102MP3US

Läs igenom hela bruksanvisningen före användning och spara den sedan för framtida bruk. Vi reserverar oss för ev. text- och bildfel samt ändringar av tekniska data. Vid tekniska problem eller andra frågor, kontakta vår kundtjänst (se adressuppgifter på baksidan).

## Säkerhet

- Produkten får endast repareras av kvalificerad servicepersonal.
- Produkten får inte demonteras eller ändras.
- Placera inte produkten så att den kan falla ner i vatten eller annan vätska. Ställ inte några föremål som innehåller vätska på produkten, t.ex. blomvas eller läskedryck.
- Stäng av eventuell stand-by funktion om natten eller när du reser bort.
- Täck inte över anläggningen. Tillräcklig ventilation, med ett minsta avstånd på 15 cm mellan ventilationsöppningarna och omgivande ytor, är nödvändig för att förhindra att anläggningen blir för varm.
- Placera inte anläggningen i en fuktig, dammig miljö eller där det förekommer starka vibrationer.

## Lägg märke till dessa säkerhetssymboler



**Varning!** Öppna inte höljet! Farlig spänning finns oskyddat på komponenter inuti produktens hölje, kontakt med dessa kan leda till brand eller ge elektriska stötar.



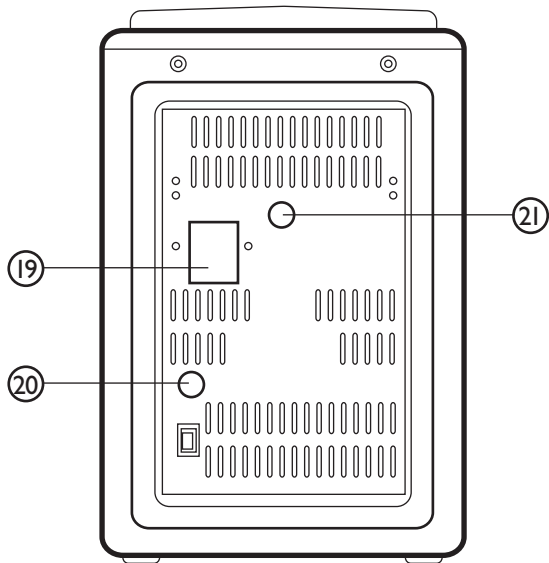
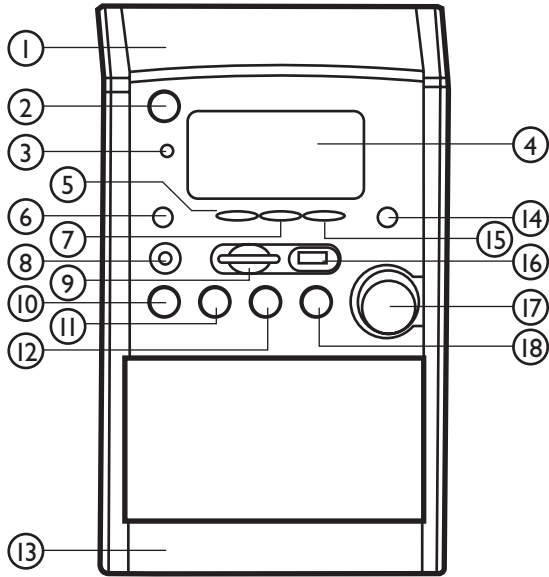
### KLASS 1 LASERAPPARAT

**Varning!** Öppna inte höljet! Osynlig laserstrålning som kan orsaka ögonskador. Rikta inte blicken in mot strålen och titta inte direkt på den genom optiska instrument.

## Produktbeskrivning

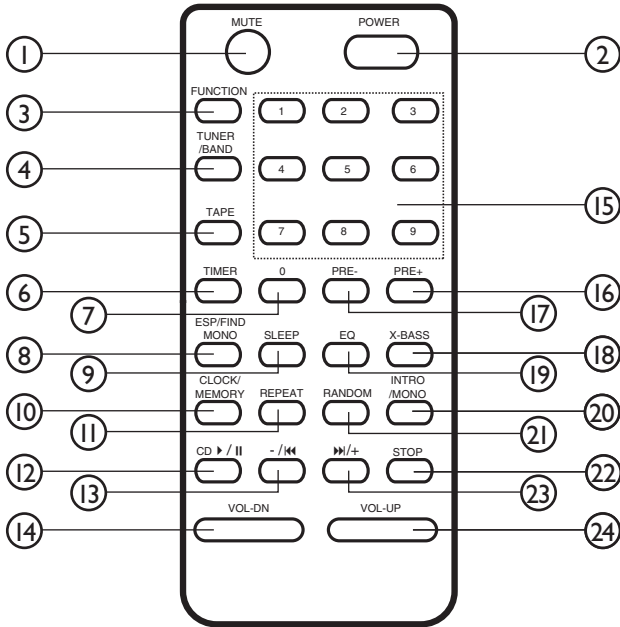
- Musikanläggning med CD/MP3-spelare
- Kassettbandspelare
- AM/FM –radio
- Anslutning för USB-minne och MMC/SD-kort
- Läser MP3 filernas ID3-tag
- Uttag för stereohörlurar
- Drivs med 230 V
- Levereras med fjärrkontroll som drivs med 2 st. R03-batterier (batterier medföljer ej)

# Huvudenhet



1. **CD-lucka**
2. **STAND BY** Strömbrytare – tryck för att slå på/av enheten
3. **Mottagare för fjärrkontrollens signal**
4. **LCD-display**
5. **TUNER/BAND** Bandomkopplare
6. **FUNCTION** Funktionsomkopplare
7. **CLOCK/MEMORY** Ställ in/visa tiden/programmera CD-avspelnigen
8. **AUX IN** Line in/out
9. **SD/MMC** Minneskortläsare för SD/MMC
10. **[STOP]** Tryck för att stoppa avspelnigen av CD eller MP3
11. **[⏮]** I CD-läget, tryck en gång för att komma till början på spåret. Tryck flera gånger för att komma till föregående spår.  
I radioläget, tryck en eller flera gånger för att byta radiokanal.
12. **[⏭]** I CD-läget, tryck en eller flera gånger för att komma till nästa spår.  
I radioläget, tryck en eller flera gånger för att byta radiokanal.
13. **Funktionsknappar för kassettdäck (under luckan)**
14. **ESP/FIND** I MP3-läget, tryck en gång för att visa tillgängliga album. Håll in knappen för att visa MP3-filens ID3-tag.  
I radioläget, tryck för att växla mellan stereo eller mono.
15. **REPEAT** Repetera avspelnigen
16. **USB-port**
17. **VOLUME** Volymkontroll
18. **PLAY/PAUSE** I CD- eller MP3-läget, tryck en gång för att starta avspelnigen.
19. **SPEAKERS** Högtalaranslutning
20. **Nätsladd**
21. **Hörlursuttag (3,5 mm)**

# Fjärrkontroll



1. **MUTE** Tryck för att tillfälligt stänga av ljudet helt.
2. **POWER** Tryck för att slå på/av enheten.
3. **FUNCTION** Tryck för att välja mellan CD, radio, kassett eller MP3 via USB/minneskort.
4. **TUNER/BAND** Direktnapp för radio/byt frekvensband.
5. **TAPE** Direktnapp för kassettspelaren.
6. **TIMER** Aktiverar eller stänger av timerfunktionen.
7. **[0]** Knapp för val av spår/lagrade radiokanaler.
8. **ESP/FIND/MONO** I MP3-läget, tryck en gång för att visa tillgängliga album. Håll in knappen för att visa MP3-filens ID3-tag. I radioläget, tryck för att växla mellan stereo eller mono.
9. **SLEEP** Aktiverar eller stänger av insomningstimern. Stänger av radion eller CD-spelaren efter 10 till 90 minuter.
10. **CLOCK/MEMORY** Ställ/visa tiden/programmerar CD-avspelnigen.
11. **REPEAT** Repeterar ett spår eller ett helt album.
12. **[▶/II]** I CD- eller MP3-läget, tryck en gång för att starta avspelnigen. Tryck en gång till för att stoppa avspelnigen.
13. **[-/◀]** I CD-läget, tryck en gång för att komma till början på spåret. Tryck flera gånger för att komma till föregående spår. I radioläget, tryck en eller flera gånger för att byta radiokanal.
14. **VOL-DN** Tryck för att sänka volymen.
15. **1 – 9** Numeriska knappar för val av spår/lagrade radiokanaler.
16. **[PRE+]** I MP3-läget, tryck för att byta till nästa album. I radioläget, tryck för att byta till nästa lagrade radiokanal.
17. **[PRE]** I MP3-läget, tryck för att byta till föregående album. I radioläget, tryck för att byta till föregående lagrade radiokanal.
18. **DBBS** (Dynamic Bass Boost) Tryck för att aktivera eller stänga av förstärkt basljud.
19. **EQ** Tryck en eller flera gånger för att ändra ljudinställning.
20. **INTRO** I CD-läget, tryck för att spela de första 10 sekunderna av varje spår.
21. **RANDOM** Tryck för att aktivera slumpmässig uppspelning av CD eller MP3.
22. **STOP** Tryck för att stoppa avspelnigen av CD eller MP3.
23. **[▶/+]** I CD-läget, tryck en eller flera gånger för att komma till nästa spår. I radioläget, tryck en eller flera gånger för att byta radiokanal.
24. **VOL-UP** Tryck för att höja volymen.

# Installation

## Högtalare

Anslut högtalarna till uttagen SPEAKERS på anläggningens baksida. Anslut höger högtalare i uttaget märkt **R**, och vänster högtalare i uttaget märkt **L**.

## Nätanslutning

Anslut nätsladden till ett vägguttag. Kontrollera att spänningen (V), som finns angiven på märkskylten på baksidan av anläggningen är densamma som i ditt lokala elnät (230 V AC, 50 Hz). Rådfråga handlaren eller ett serviceställe om så inte är fallet.

För att helt stänga av strömmen: Dra ur stickproppen ur vägguttaget. Dra även ur stickproppen ur vägguttaget vid kraftiga åskväder för att skydda anläggningen.

## Ställ in klockan

Klockan går endast att ställa in när anläggningen är i Stand-By läge.

1. Tryck på [STAND BY] (2) på huvudenheten (ej på fjärrkontrollen) för att gå till Stand-By läget.
2. Tryck och håll in [CLOCK/MEMORY] (7) på huvudenheten i 3 sekunder, --:-- blinkar i displayen.
3. Tryck på [▶▶] eller [◀◀] för att välja mellan 12- eller 24-timmarsvisning. Bekräfta med ett tryck på [CLOCK/MEMORY].
4. Tryck upprepade gånger på [▶▶] eller [◀◀] för att ställa in timmar. Bekräfta med [CLOCK/MEMORY].
5. Tryck upprepade gånger på [▶▶] eller [◀◀] för att ställa in minuter. Tryck på [CLOCK/MEMORY] för att spara inställningarna.
6. Tryck på [STAND BY] (2) på huvudenheten för att gå ur Stand By-läget.

# Användning

## Stäng av strömmen, spara energi!

För att undvika onödig elförbrukning, stäng alltid av anläggningen när den inte används.

## Lyssna på radion

### Manuell inställning av radiokanal

1. Placera trådontennen för bästa möjliga mottagning.
2. Tryck en gång på [FUNCTION] (6) eller [TUNER/BAND] (5) för att aktivera radion.
3. Välj frekvensband (AM eller FM) med [TUNER/BAND] (5).
4. Ställ in önskad frekvens med [▶▶] (12) eller [◀◀] (13).
5. Välj stereo- eller monomottagning med knappen [ESP/FIND/MONO] (8 på fjärrkontrollen).
6. Justera volymen med volymkontrollen (17) (eller med 14/24 på fjärrkontrollen).

### Automatisk sökning av radiokanal

1. Placera trådontennen för bästa möjliga mottagning.
2. Tryck på [FUNCTION] (6) eller [TUNER/BAND] (5) för att aktivera radion.
3. Välj frekvensband med [TUNER/BAND] (5).
4. Tryck och håll in [▶▶] (12) eller [◀◀] (13) i ca 1 till 2 sekunder till sökningen startar, släpp knappen.
5. Sökningen stannar när en tillräckligt stark radiostation hittas.
6. Upprepa steg 3 och 4 tills du funnit önskad radiostation.
7. Justera volymen med volymkontrollen (17) (eller med 14/24 på fjärrkontrollen).

### Lagra radiokanaler (via fjärrkontrollen)

Du kan lagra upp till 20 radiokanaler i minnet (10 st. FM och 10 st. AM).

1. Sök radiokanal enligt instruktionerna ovan.
2. Tryck en gång på [CLOCK/MEMORY] (7) för att aktivera programmeringsläget. Kanalindikeringen blinkar i displayen.
3. Använd PRE+ och PRE- för att välja den minnesplats som radiokanalen ska sparas på.
4. Tryck åter på [CLOCK/MEMORY] för att bekräfta och spara inställningarna.
5. Upprepa steg 1 till 4 för lagra fler radiokanaler.

### Tips för bästa mottagning!

**AM:** Anläggningen har en inbyggd ferritantenn för AM-mottagning. Är mottagningen svag, kan anläggningen flyttas eller vridas för ev. bättre mottagning.

**FM:** Veckla ut trådontennen helt och placera utsträckt, helst vertikalt. Prova dig fram till bästa mottagning.

## Spela en CD-skiva

1. Öppna CD-facket genom att trycka CD-luckan nedåt vid markeringen **OPEN/CLOSE**. Ett klick hörs när luckan öppnas.
2. Placera en CD-skiva (ljudskaiva eller CD-R/CD-RW innehållande MP3-filer) med etiketten vänd uppåt i CD-facket.
3. Stäng CD-facket genom att trycka nedåt vid markeringen **OPEN/CLOSE**. Ett klick hörs när luckan stängs.
4. Välj CD-läget med [FUNCTION] (6).
5. Efter en kort stund visar displayen det totala antalet låtar på skivan.
6. Tryck på [PLAY/PAUSE] (18) för att starta avspelnningen. Det första spåret spelas upp.
7. För att tillfälligt stoppa avspelnningen, tryck på [PLAY/PAUSE] (18). Aktuellt spårnummer blinkar i displayen. Tryck åter på [PLAY/PAUSE] (18) för att fortsätta avspelnningen.
8. För att stoppa avspelnningen, tryck en gång på [STOP] (10).

### Välj ett annat spår

1. Under avspelnningen eller i pausläget kan du använda [▶▶] (12) eller [◀◀] (13) för att välja ett annat spår.
2. Tryck en gång kort på [▶▶] (12) för att komma till nästa spår, eller tryck upprepade gånger tills det önskade spårnumret visar i displayen.
3. Tryck en gång kort på [◀◀] (13) för att återgå till början på det spår som just spelas. Tryck kort mer än en gång för att komma till tidigare spår.

### Finn ett önskat avsnitt i ett spår

(gäller endast CD-skivor samt CD-skivor innehållande MP3-filer)

1. Tryck och håll in [▶▶] (12) eller [◀◀] (13) för att söka ett avsnitt i ett spår. Skivan spelas nu med hög hastighet och låg volym.
2. Släpp knappen när du hör det avsnitt du söker. Den normala avspelnningen fortsätter.

### Spela en CD-skiva innehållande MP3-filer

1. Placera en CD-skiva innehållande MP3-filer i CD-facket.
2. Välj CD-läget med [FUNCTION] (6).
3. Displayen visar efter en kort stund antalet låtar och album/kataloger.
4. Använd [PRE+] (16) eller [PRE-] (17) (på fjärrkontrollen) för att välja album/katalog.
5. Använd [▶▶] (12) eller [◀◀] (13) för att välja spår.
6. Tryck på [PLAY/PAUSE] (18) för att starta avspelnningen av önskat spår.
7. Upprepa steg 3 och 4 för att välja ett annat spår eller album/katalog.
8. För att stoppa avspelnningen, tryck en gång på [STOP] (10).



## Spela MP3-filer från ett USB-minne eller minneskort

1. Välj CARD-USB med [FUNCTION] (6). Displayen visar "CARD-USB".
2. Sätt i ett USB-minne eller ett minneskort av typen SD eller MMC.
3. Displayen visar det totala antalet låtar och album/kataloger på som finns lagrat på minnet.
4. Använd [PRE+] (16) eller [PRE-] (17) (på fjärrkontrollen) för att välja album/katalog.
5. Använd [▶▶] (12) eller [◀◀] (13) för att välja spår.
6. Tryck på [PLAY/PAUSE] (18) för att starta avspelningen av önskat spår.
7. Upprepa steg 4 och 5 för att välja ett annat spår eller album/katalog.
8. För att stoppa avspelningen, tryck en gång på [STOP] (10).

### Sök efter ett spår (MP3)

1. Tryck en gång på [ESP/FIND] (14) för att aktivera sökfunktionen.
2. Använd [▶▶] (12) eller [◀◀] (13) för att bläddra igenom samtliga spår i alfabetisk ordning.
3. När önskat spår visas i displayen, tryck på [PLAY/PAUSE] (18) för att starta avspelningen.

### Sök efter ett album (MP3)

1. Tryck en gång på [ESP/FIND] (14) för att aktivera sökfunktionen.
2. Använd [▶▶] (12) eller [◀◀] (13) för att bläddra igenom albumen i alfabetisk ordning.
3. När önskat album visas, tryck på [PLAY/PAUSE] (18) för att starta avspelning av albumets första spår.

## Avancerade funktioner (CD/MP3)

### Repeterad avspelning

Tryck en gång eller upprepade gånger på [REPEAT] (15) för att repetera ett spår, album/katalog (endast MP3) eller en hel skiva. Displayen visar vilket repetitionssätt som valts.

### Slumpmässig avspelning

Tryck på [RANDOM] (21) (på fjärrkontrollen) för att aktivera slumpmässig avspelning. "RANDOM" visas i displayen när funktionen är aktiverad.

Tryck åter på [RANDOM] (21) eller på [STOP] (10) för att stänga av slumpmässig avspelning.

### ESP (Anti-skakfunktion)

ESP aktiveras automatiskt när en CD-skiva med MP3-filer spelas.

Tryck på [ESP/FIND] (14) för att stänga av funktionen.

### Programmerad avspelning (CD/MP3-skiva/USB-minne/minneskort)

Upp till 64 spår kan programmeras i valfri ordning.

1. Tryck en gång på [CLOCK/MEMORY] (7). "MEMORY", programnummer samt spårnummer visas i displayen.
2. Välj önskat spår med [▶▶] (12) eller [◀◀] (13).
3. Bekräfta genom att trycka en gång [CLOCK/MEMORY] (7).
4. Repetera steg 2 och 3 för att programmera fler spår.
5. Tryck på [PLAY/PAUSE] (18) för att starta avspelningen i den ordning du nyss programmerat.
6. Tryck på [STOP] (10) för att stoppa avspelningen och rensa programminnet.

### MUTE-funktion

För att tillfälligt stänga av ljudet, tryck kort på [MUTE] (1) (på fjärrkontrollen).

Tryck igen på [MUTE] (1) för att återställa ljudvolymen.

### Förinställd equalizer

Tryck upprepade gånger på [EQ] (19) för att välja ljudinställning. Displayen visar vald ljudinställning.

## Spela kassettband

1. Välj TAPE som källa med [FUNCTION] (6) eller genom ett tryck på [TAPE] (5) på fjärrkontrollen.
2. Öppna luckan (13) över knapparna.
3. Tryck på [■▲] [STOP/EJECT] för att öppna kassettluckan.  
(Knapparna finns dolda bakom skyddsluckan)
4. Lägg i ett inspelat band och stäng kassettluckan.
5. Tryck på [▶] [PLAY] för att starta avspelingen.
6. Tryck på [⏸] [PAUSE] om du vill avbryta spelningen tillfälligt.  
Tryck på [⏸] [PAUSE] igen för att fortsätta.
7. Genom att trycka på [◀◀] eller [▶▶] på apparaten kan du snabbspola bandet i båda riktningarna.
8. Tryck på [■▲] [STOP/EJECT] för att stanna bandet. Knapparna frigörs automatiskt när bandet är slut, om inte [⏸] [PAUSE]-knappen är intryckt.

## Inspelning

### Allmän information om inspelning

Inspelning är tillåten så länge den inte bryter mot upphovsrätten eller andra rättigheter som innehåses av tredje part.

Kassettbandsspelaren lämpar sig inte för inspelning på kassetter av typ CHROME (IEC II) eller METAL (IEC IV). Använd kassetter av typ NORMAL (IEC I) där flikarna inte har brutits av.

Den bästa nivån för inspelning ställs in automatiskt. Det går inte att påverka en pågående inspelning med VOLYM- och DBBS-kontrollerna.

Under 7 sekunder alldeles i början och slutet av bandet, när ledarbandet passerar inspelningshuvudena sker ingen inspelning.

För att skydda ett band från att raderas av misstag kan du bryta av en eller båda plastflikarna på undersidan av bandet. Det går nu inte att spela in på den sida där fliken är avlägsnad. Om hålen som täcktes av flikarna tejpas över går det åter att spela in på bandet.

### Inspelning från radio, CD eller MP3

1. Välj radio, CD eller MP3 med [FUNCTION] (6).
2. Tryck på [■▲] [STOP/EJECT] för att öppna kassettluckan.
3. Lägg i en lämplig kassett och stäng kassettluckan.
4. Tryck samtidigt in [●] [RECORD] och [▶] för att starta inspelningen.
5. Tryck på [⏸] [PAUSE] om du vill göra ett tillfälligt avbrott i inspelningen.
6. Tryck på [⏸] [PAUSE] igen för att fortsätta inspelningen.
7. Tryck på [■▲] [STOP/EJECT] för att avsluta inspelningen.

# Skötsel och underhåll

## Allmän skötsel

Använd en mjuk, torr trasa för att rengöra anläggningen. Använd inte rengöringsmedel som innehåller alkohol, ammoniak, bensen eller slipmedel, eftersom det kan skada höljet.

## Hantering av CD-spelare och CD-skivor



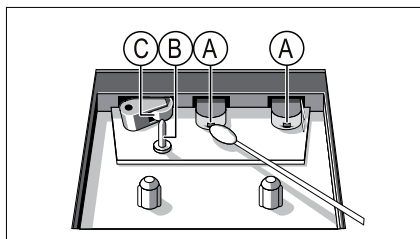
- CD-spelarens lins får inte vidröras!
- Plötsliga förändringar i den omgivande temperaturen kan orsaka kondens och göra att linsen i din täcks av imma. Det är då inte möjligt att spela CD-skivor.
- Försök inte torka av linsen, utan låt anläggningen stå i ett varmt rumt tills fukten har avdunstat.
- Stäng alltid CD-luckan för att hålla CD-facket dammfritt. Använd en mjuk, torr trasa för att torka bort damm från facket om det behövs.
- Om CD-skivan behöver rengöras kan den torkas med en mjuk, luddfri trasa från mitten ut mot kanten i rak linje. Använd inte rengöringsmedel, eftersom det kan skada skivan.
- Fäst aldrig några klisterlappar på CD-skivan.

## Skötsel av kassettbandspelaren

För att god kvalitet vid inspelning och avspelning ska bibehållas bör del A, B och C på bilden rengöras efter ungefär 50 timmars spelning, eller i genomsnitt en gång i månaden. Använd en bomullstopp lätt fuktad med alkohol eller speciell rengöringsvätska för tonhuvuden.

1. Öppna kassettluckan genom att trycka på [■▲] [STOP/EJECT].
2. Tryck på [▶] [PLAY] och rengör tryckrullarna av gummi (C).
3. Tryck på [||] [PAUSE] och rengör magnethuvudena (A) och kapstan (B).
4. Tryck på [■▲] [STOP/EJECT] efter rengöringen.

**OBS:** Man kan också rengöra huvudena genom att spela igenom ett rengöringsband.



## Felsökningsschema

Om ett fel uppstår, kontrollera först följande punkter innan anläggningen lämnas in för reparation. Öppna inte anläggningen eftersom det finns risk för elektriska stötar. Kontakta din handlare eller en servicestation om du inte kan åtgärda felet genom att följa nedanstående råd.

### WARNING!

Du ska under inga förhållanden försöka reparera anläggningen själv, eftersom det kommer att medföra att din garanti blir ogiltig.

Problem	Orsak	Förslag till lösning
Inget ljud/ Ingen ström.	Volymen är nedställd på "0".	Ställ in volymen.
	Nätsladden är inte isatt.	Kontrollera och sätt i nätsladden ordentligt.
Displayen fungerar ej. Displayen reagerar inte alls vid knapptryckningar.	Statisk elektricitet.	Stäng av och dra ur stickkontakten. Sätt i kontakten igen efter några sekunder.
Dålig ljudkvalitet från kassetten.	Damm eller smuts på tonhuvudena etc.	Rengör kassettdäckets delar. Se skötselinstruktionen.
	Fel sorts kasset används (METAL eller CROME).	Använd endast NORMAL (IEC I) vid inspelning.
Inspelning till kassett fungerar ej.	Kassetten flikar (inspelningsskydd) kan vara avbrutna.	Använd ett annat kassetband eller sätt en bit tejp över hålet där fliken har suttit.
Ingen skivindikation.	Ingen CD-skiva är ilagd.	Lägg i en CD, CD-R eller CD-RW.
	CD-skivan är repig eller smutsig.	Byt eller rengör skivan. Se skötselinstruktioner.
	Laserlinsen är immig.	Vänta tills imman försvunnit.
	CD-R –skivan är tom eller också har kopieringen inte avslutats korrekt.	Använd en färdigkopierad CD-R.
Avspelning av CD-skivor fungerar ej.	CD-skivan är repig eller smutsig.	Byt eller rengör skivan. Se skötselinstruktioner.
	Laserlinsen är immig.	Vänta tills imman försvunnit.
CD-spelaren hoppar över spår.	CD-skivan är repig eller smutsig.	Byt eller rengör skivan. Se skötselinstruktioner.
	Ett program är aktiverat.	Gå ur programmet. (Se programmerad avspelning.)
Det går ej att spela MP3-filer från USB- eller minneskortet.	Minnet inte korrekt anslutet.	Ta ur och sätt i minnet igen.
	Minnet innehåller inte giltiga MP3-filer.	Anslut ett minne innehållande MP3 eller WMA-filer.

# Avfallshantering

När du ska göra dig av med produkten ska detta ske enligt lokala föreskrifter. Är du osäker på hur du ska gå tillväga, kontakta din kommun.

## Specifikationer

Nätspänning:	230 V AC, 50 Hz
Effektförbrukning:	25 W
Batterityp (fjärrkontroll):	1 st. AAA/LR03-batteri
Frekvensområde radio:	FM: 87.5 – 108 MHz AM: 522 – 1620 kHz
Storlek:	170 x 258 x 277 mm

### MP3-spelare

Format:	ISO9660
Bitrate:	8 – 320 kBit/s

# Musikkanlegg med CD og USB

Art.no: 18-8007

Model: KW-102MP3US-UK

Art.no: 38-2367

Model: KW-102MP3US

Les nøye igjennom hele bruksanvisningen og ta vare på den til senere bruk. Vi reserverer oss mot ev. tekst- og bildefeil, samt forandringer av tekniske data. Ved tekniske problemer eller andre spørsmål, ta kontakt med vårt kundesenter (se opplysninger på baksiden).

## Sikkerhet

- Produktet må kun repareres av kvalifisert servicepersonell.
- Produktet må ikke demonteres eller endres.
- Plasser ikke produktet slik at det kan falle ned i vann eller annen væske. Still aldri produktet i nærheten av gjenstander, som kan forårsake at vann eller annen væske skylles over produktet. Dette gjelder f.eks. blomstervase eller leskedrikk.
- Skru av en eventuell stand-by funksjon om natten, og når du reiser bort.
- Dekk ikke over anlegget. Tilstrekkelig ventilasjon, med en minsteavstand på 15 cm mellom ventilasjonsåpningene og omliggende flater er nødvendig, for å forhindre at anlegget blir for varmt.
- Plasser ikke anlegget i et fuktig, støvete miljø, eller der det forekommer sterke vibrasjoner.

## Legg merke til disse sikkerhetssymbolene



**Advarsel!** Åpne ikke dekselet. Farlig spenning ligger ubeskyttet på komponenter inne i produktets deksel, kontakt med disse kan føre til brann eller gi elektriske støt.



### KLASSE 1 LASERAPPARAT

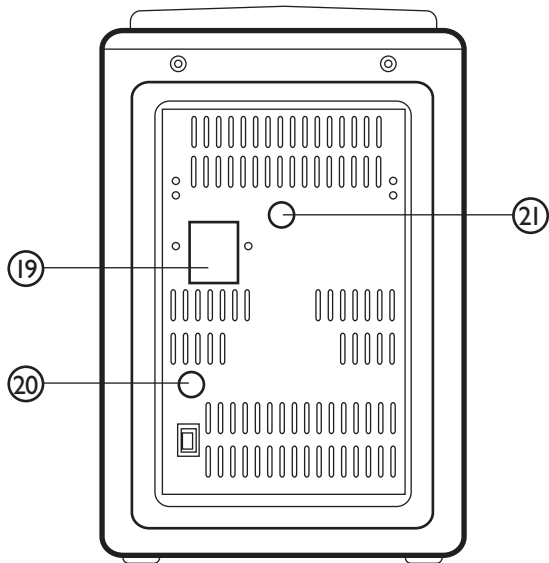
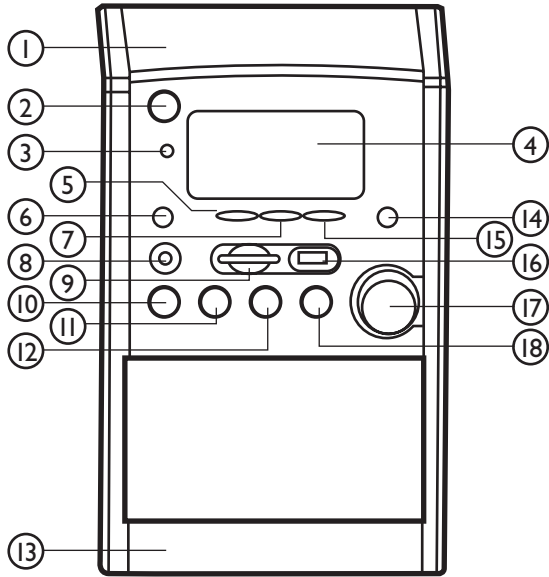
**Advarsel!** Åpne ikke dekselet. Usynlig laserstråling som kan forårsake øyeskader. Rett ikke blikket mot strålen, og se ikke rett på den gjennom optiske instrumenter.

## Produktbeskrivelse

- Musikkanlegg med CD/MP3-spiller
- Kassettspiller
- AM/FM-radio
- Tilkobling for USB-minne og MMC/SD-kort
- Leser MP3-filenes ID3-tag
- Uttak for stereohodetelefoner
- Drives med 230 V
- Leveres med fjernkontroll som drives med 2 stk. R03-batterier (batterier medfølger ikke)

# Hovedenhet

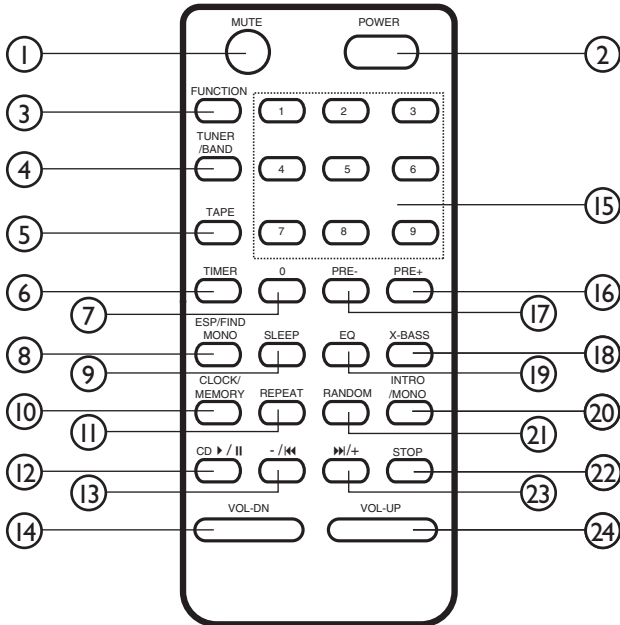
NORSK





1. **CD-luke**
2. **STAND BY** Strømbryter – trykk for å slå på/av enheten
3. **Mottaker for fjernkontrollens signal**
4. **LCD-display**
5. **TUNER/BAND** Båndomkobler
6. **FUNCTION** Funksjonsvelger
7. **CLOCK/MEMORY** Still inn/vise tiden/programmer CD-avspillingen
8. **AUX IN** Line in/out
9. **SD/MMC** Minnekortleser for SD/MMC
10. **STOP** Trykk for å stoppe avspilling av CD eller MP3
11. **[◀◀]** I CD-modus, trykk en gang for å komme til begynnelsen av sporet. Trykk flere ganger for å komme til foregående spor.  
I radiomodus, trykk en eller flere ganger for å bytte radiokanal.
12. **[▶▶]** I CD-modus, trykk en eller flere ganger for å komme til neste spor.  
I radiomodus, trykk en eller flere ganger for å bytte radiokanal.
13. **Funksjonsknapper for kassettspiller (under luken)**
14. **ESP/FIND** I MP3-modus, trykk en gang for å vise tilgjengelige album. Hold inne knappen for å vise MP3-filens ID3-tag.  
I radiomodus, trykk for å skifte mellom stereo og mono.
15. **REPEAT** Repeter avspilling
16. **USB-port**
17. **VOLUME** Volumkontroll
18. **PLAY/PAUSE** I CD- eller MP3-modus, trykk en gang for å starte avspillingen.
19. **SPEAKERS** Høyttalertilkobling
20. **Strømledning**
21. **Hodetelefonuttak (3,5 mm)**

# Fjernkontroll



1. **MUTE** Trykk for å midlertidig skru lyden helt av.
2. **POWER** Trykk for å slå på/av enheten.
3. **FUNCTION** Trykk for å velge mellom CD, radio, kassett eller MP3 via USB/minnekort.
4. **TUNER/BAND** Direkteknapp for radio/bytt frekvensbånd.
5. **TAPE** Direkteknapp for kassettspilleren.
6. **TIMER** Aktiverer eller skrur av timerfunksjonen.
7. **[0]** Knapp for valg av spor/lagrede radiokanaler.
8. **ESP/FIND** I MP3-modus, trykk en gang for å vise tilgjengelige album. Hold knappen inne for å vise MP3-filens ID3-tag. I radiomodus, trykk for å skifte mellom stereo og mono.
9. **SLEEP** Aktiverer eller skrur av timerfunksjonen. Skrur av radioen eller CD-spilleren etter 10 til 90 minutter.
10. **CLOCK/MEMORY** Still inn/vise tiden/programmer CD-avspillingen.
11. **REPEAT** Repeterer et spor eller et helt album.
12. **[▶/||]** I CD- eller MP3-modus, trykk en gang for å starte avspillingen. Trykk en gang til for å stoppe avspillingen.
13. **[-/◀]** I CD-modus, trykk en gang for å komme til begynnelsen av sporet. Trykk flere ganger for å komme til foregående spor. I radiomodus, trykk en eller flere ganger for å bytte radiokanal.
14. **VOL-DN** Trykk for å senke volumet.
15. **1 - 9** Numeriske knapper for valg av spor/lagrede radiokanaler.
16. **PRE+** I MP3-modus, trykk for å bytte til neste album. I radiomodus, trykk for å bytte til neste lagrede radiokanal.
17. **PRE** I MP3-modus, trykk for å bytte til foregående album. I radiomodus, trykk for å bytte til foregående lagrede radiokanal.
18. **DBBS** (Dynamic Bass Boost) – trykk for å aktivere eller skru av forsterket basslyd.
19. **EQ** Trykk en eller flere ganger for å endre lydinnstilling.
20. **INTRO** I CD-modus, trykk for å spille de første 10 sekundene av hvert spor.
21. **RANDOM** Trykk for å aktivere tilfeldig avspilling av CD eller MP3.
22. **STOP** Trykk for å stoppe avspilling av CD eller MP3.
23. **[▶/+]** I CD-modus, trykk en eller flere ganger for å komme til neste spor. I radiomodus, trykk en eller flere ganger for å bytte radiokanal.
24. **VOL-UP** Trykk for å heve volumet.

# Installasjon

## Høytalere

Koble høytalerne til uttaket SPEAKERS på anleggets bakside. Koble høyre høytaler i uttaket merket **R**, og venstre høytaler i uttaket merket **L**.

## Strømtilkobling

Koble strømledningen til et vegguttak. Kontroller om spenningen (V), som er angitt på merkeskiltet på baksiden av anlegget, er den samme som i ditt lokale strømnnett (230 V AC, 50 Hz). Spør forhandleren eller ett serviceverksted hvis dette ikke er tilfelle.

For å skru helt av strømmen: Trekk ut støpselet fra uttaket. Dra også ut støpselet fra vegguttaket ved kraftig tordenvær for å beskytte anlegget.

## Still klokken

Klokken kan kun stilles inn når anlegget er i Stand-By modus.

1. Trykk på [STAND BY] (2) på hovedenheten (ikke på fjernkontrollen) for å gå til Stand-By modus.
2. Trykk og hold inne [CLOCK/MEMORY] (7) på hovedenheten i 3 sekunder, --:-- blinker i displayet.
3. Trykk på [▶▶] eller [◀◀] for å velge mellom 12- eller 24-timersvisning. Bekreft med et trykk på [CLOCK/MEMORY].
4. Trykk gjentatte ganger på [▶▶] eller [◀◀] for å stille inn timer. Bekreft med [CLOCK/MEMORY].
5. Trykk gjentatte ganger på [▶▶] eller [◀◀] for å stille inn minutter. Trykk på [CLOCK/MEMORY] for å lagre innstillingene.
6. Trykk på [STAND BY] (2) på hovedenheten for å gå ut av Stand-By modus.

# Bruk

## Skru av strømmen, spar energi!

For å unngå unødig strømbruk, skru alltid av anlegget når det ikke brukes.

## Hør på radio

### Manuell innstilling av radiokanal

1. Plasser trådtanten for best mulig mottak.
2. Trykk en gang på [FUNCTION] (6) eller [TUNER/BAND] (5) for å aktivere radioen.
3. Velg frekvensbånd (AM eller FM) med [TUNER/BAND] (5) .
4. Still inn ønsket frekvens med [▶▶] (12) eller [◀◀] (13).
5. Velg stereo- eller monomottak med knappen [ESP/FIND/MONO] (8 på fjernkontrollen).
6. Juster volumet med volumkontrollen (17) (eller med 14/24 på fjernkontrollen).

### Automatisk søking av radiokanal

1. Plasser trådtanten for best mulig mottak.
2. Trykk på [FUNCTION] (6) eller [TUNER/BAND] (5) for å aktivere radioen.
3. Velg frekvensbånd med [TUNER/BAND] (5).
4. Trykk og hold inne [▶▶] (12) eller [◀◀] (13) i ca. 1 til 2 sekunder, til søkingen starter. Slipp knappen.
5. Søkingen stopper når en tilstrekkelig sterk radiostasjon finnes.
6. Gjenta trinn 3 og 4 til du har funnet ønsket radiostasjon.
7. Juster volumet med volumkontrollen (17) (eller med 14/24 på fjernkontrollen).

### Lagre radiokanaler (via fjernkontrollen)

Du kan lagre opp til 20 radiokanaler i minnet (10 stk. FM og 10 stk. AM).

1. Søk radiokanal ifølge instruksjonene ovenfor.
2. Trykk en gang på [CLOCK/MEMORY] (7) for å aktivere programmeringsmodus. Kanalindikeringen blinker i displayet.
3. Bruk PRE+ og PRE- for å velge den minneplassen radiokanalen skal lagres på.
4. Trykk igjen på [CLOCK/MEMORY] for å bekrefte og lagre innstillingene.
5. Gjenta trinn 1 til 4 for å lagre flere radiokanaler.

### Tips for beste mulige mottak!

**AM:** Anlegget har en innebygd ferritantenne for AM-mottaking. Er mottakingen svak, kan anlegget flyttes eller vris for ev. bedre mottaking.

**FM:** Dra ut trådtanten helt, og plasser den utstrekkt, helst vertikal. Prøv deg fram til beste mottakelse.

## Spill en CD-plate

1. Åpne CD-luken ved å trykke CD-luken nedover ved markeringen **OPEN/CLOSE**. Et klikk høres når luken åpnes.
2. Plasser en CD-plate (lydplate eller CD-R/CD-RW som inneholder MP3-filer) med etiketten vendt oppover i CD-luken.
3. Lukk CD-luken ved å trykke nedover ved markeringen **OPEN/CLOSE**. Et klikk høres når luken lukkes.
4. Velg CD-modus med [FUNCTION] (6).
5. Etter en kort stund viser displayet det totale antallet låter på platen.
6. Trykk på [PLAY/PAUSE] (18) for å starte avspillingen. Det første sporet spilles av.
7. For å midlertidig stoppe avspillingen, trykk på [PLAY/PAUSE] (18). Aktuelt spornummer blinker i displayet. Trykk en gang til på [PLAY/PAUSE] (18) for å fortsette avspillingen.
8. For å stoppe avspillingen helt, trykk en gang på [STOP] (10).

### Velg et annet spor

1. Under avspillingen eller i pausemodus, kan du bruke [▶▶] (12) eller [◀◀] (13) for å velge et annet spor.
2. Trykk kort en gang på [▶▶] (12) for å komme til neste spor, eller trykk gjentatte ganger til det ønskede spornummeret vises i displayet.
3. Trykk kort en gang på [◀◀] (13) for å gå tilbake til begynnelsen av det sporet du nettopp har spilt. Trykk kort mer enn en gang for å komme til tidligere spor.

### Finn et ønsket avsnitt i et spor

(gjelder kun CD-plater samt CD-plater som inneholder MP3-filer).

1. Trykk og hold inne [▶▶] (12) eller [◀◀] (13) for å søke et avsnitt i et spor. Platen spilles nå med høy hastighet og lavt volum.
2. Slipp knappen når du hører det avsnittet du søker. Den normale avspillingen fortsetter.

### Spill en CD-plate som inneholder MP3-filer

1. Plasser en CD-plate som inneholder MP3-filer i CD-spilleren.
2. Velg CD-modus med [FUNCTION] (6).
3. Displayet viser etter en kort stund antallet låter og album/kataloger.
4. Bruk [PRE+] (16) eller [PRE-] (17) (på fjernkontrollen) for å velge album/katalog.
5. Bruk [▶▶] (12) eller [◀◀] (13) for å velge spor.
6. Trykk på [PLAY/PAUSE] (18) for å starte avspillingen av ønsket spor.
7. Gjenta trinn 3 og 4 for å velge et annet spor eller album/katalog.
8. For å stoppe avspillingen, trykk en gang på [STOP] (10).

## Spill MP3-filer fra et USB-minne eller minnekort

1. Velg CARD-USB med [FUNCTION] (6). Displayet viser "CARD-USB".
2. Sett i et USB-minne eller et minnekort av typen SD eller MMC.
3. Displayet viser det totale antallet låter og album/kataloger som finns lagret på minnet.
4. Bruk [PRE+] (16) eller [PRE-] (17) (på fjernkontrollen) for å velge album/katalog.
5. Bruk [▶▶] (12) eller [◀◀] (13) for å velge spor.
6. Trykk på [PLAY/PAUSE] (18) for å starte avspillingen av ønsket spor.
7. Gjenta trinn 4 og 5 for å velge et annet spor eller album/katalog.
8. For å stoppe avspillingen, trykk en gang på [STOP] (10).

### Søk etter et spor (MP3)

1. Trykk en gang på [ESP/FIND] (14) for å aktivere søkefunksjonen.
2. Bruk [▶▶] (12) eller [◀◀] (13) for å bla igjennom samtlige spor i alfabetisk rekkefølge.
3. Når ønsket spor vises i displayet, trykk på [PLAY/PAUSE] (18) for å starte avspillingen.

### Søk etter et album (MP3)

1. Trykk en gang på [ESP/FIND] (14) for å aktivere søkefunksjonen.
2. Bruk [▶▶] (12) eller [◀◀] (13) for å bla igjennom albumet i alfabetisk rekkefølge.
3. Når ønsket album vises i displayet, trykk på [PLAY/PAUSE] (18) for å starte avspillingen av albumets første spor.

## Avanserte funksjoner (CD/MP3)

### Repetert avspilling

Trykk en gang eller gjentatte ganger på [REPEAT] (15) for å repetere et spor, album/katalog (kun MP3) eller en hel plate. Displayet viser hvilket repetisjonssett som er valgt.

### Avspilling i tilfeldig rekkefølge

Trykk på [RANDOM] (21) (på fjernkontrollen) for å aktivere tilfeldig avspilling. "RANDOM" vises i displayet når funksjonen er aktiv.

Trykk en gang til på [RANDOM] (21) eller på [STOP] (10) for å skru av tilfeldig avspilling.

### ESP (Anti-ristefunksjon)

ESP aktiveres automatisk når en CD-plate med MP3-filer spilles.

Trykk på [ESP/FIND] (14) for å skru av funksjonen.

### Programmert avspilling (CD/MP3-plate/USB-minne/minnekort)

Opp til 64 spor kan programmeres i valgfri rekkefølge.

1. Trykk en gang på [CLOCK/MEMORY] (7). "MEMORY", programnummer samt spornummer vises i displayet.
2. Velg ønsket spor med [▶▶] (12) eller [◀◀] (13)
3. Bekreft ved å trykke en gang på [CLOCK/MEMORY] (7).
4. Repeter trinn 2 og 3 for å programmere flere spor.
5. Trykk på [PLAY/PAUSE] (18) for å starte avspillingen i den rekkefølgen du nettopp har programmert.
6. Trykk på [STOP] (10) for å stoppe avspillingen og rense programminnet.

### MUTE-funksjon

For å midlertidig skru av lyden, trykk kort på [MUTE] (1) (på fjernkontrollen).

Trykk en gang til på [MUTE] (1) for å tilbakestille volumet.

### Forhåndsinnstilt equalizer

Trykk gjentatte ganger på [EQ] (19) for å velge ønsket lydinnstilling: Displayet viser valgt lydinnstilling.



## Spill kassett

1. Velg TAPE som kilde med [FUNCTION] (6) eller ved et trykk på [TAPE] (5) på fjernkontrollen.
2. Åpne luken (13) over knappene.
3. Trykk på [■▲] [STOP/EJECT] for å åpne kassetlluken.  
(Knappene ligger skjult bak beskyttelsesluken)
4. Sett inn en innspilt kassett og lukk kassetlluken.
5. Trykk på [▶] [PLAY] for å starte avspillingen.
6. Trykk på [⏸] [PAUSE] hvis du ønsker å avbryte spillingen midlertidig.  
Trykk på [⏸] [PAUSE] igjen for å fortsette.
7. Ved å trykke på [◀◀] eller [▶▶] på anlegget, kan du hurtigspole båndet i begge retningene.
8. Trykk på [■▲] [STOP/EJECT] for å stoppe båndet. Knappene frigjøres automatisk når båndet er slutt, hvis ikke [⏸] [PAUSE]-knappen er inntrykt.

## Innspilling

### Allmenn informasjon om innspilling

Innspilling er tillatt så lenge den ikke bryter med opphavsretten eller andre rettigheter som innehas av tredje part.

Kassettspilleren passer ikke for innspilling på kassetter av type CHROME (IEC II) eller METAL (IEC IV). Bruk kassetter av type NORMAL (IEC I) der flikene ikke er fjernet.

Det beste nivået for innspilling stilles inn automatisk. Du kan ikke påvirke en pågående innspilling med VOLUM- og DBBS-kontrollene.

I 7 sekunder helt i begynnelsen og slutten av båndet, når lederbåndet passerer innspillingshodene skjer ingen innspilling.

For å beskytte et bånd fra å slettes ved en feiltakelse, kan du bryte av en eller begge plastflikene på undersiden av båndet. Det er nå umulig å spille inn på den siden der fliken er fjernet. Dersom hullene som ble dekket av flikene teipes igjen, kan du igjen spille inn på båndet.

### Innspilling fra radio, CD eller MP3

1. Velg radio, CD eller MP3 med [FUNCTION] (6).
2. Trykk på [■▲] [STOP/EJECT] for å åpne kassetlluken.
3. Legg i en passende kassett og steng kassetlluken.
4. Trykk samtidig inn [●] [RECORD] og [▶] for å starte innspillingen.
5. Trykk på [⏸] [PAUSE] hvis du ønsker å stoppe innspillingen midlertidig.
6. Trykk på [⏸] [PAUSE] en gang til for å fortsette innspillingen.
7. Trykk på [■▲] [STOP/EJECT] for å avslutte innspillingen.

# Vedlikehold

## Allment vedlikehold

Bruk en myk, tørr klut for å rengjøre anlegget. Bruk ikke rengjøringsmiddel som inneholder alkohol, ammoniakk, benzen eller slipemiddel, da dette kan skade dekslet.

## Håndtering av CD-spiller og CD-plater



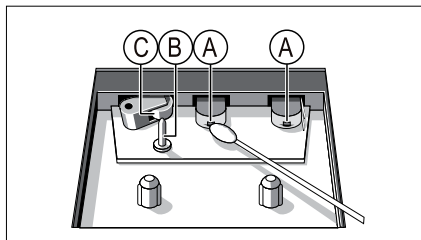
- CD-spillerens linse må ikke berøres!
- Plutselige forandringer i omgivelsenes temperatur kan forårsake kondens og forårsake dugg på linsen. Det er da ikke mulig å spille CD-plater.
- Forsøk ikke å tørke av linsen, men la anlegget stå i et varmt rom til fukten har fordampet.
- Steng alltid CD-luken for å holde CD-spilleren støvfri. Bruk en myk, tørr klut for å tørke bort støv fra lokket dersom det er behov.
- Dersom CD-platen må rengjøres kan den tørkes med en myk, dunfri klut fra midten og ut mot kanten i rett linje. Bruk ikke rengjøringsmiddel, da dette kan skade platen.
- Fest aldri klistremerker på CD-platen.

## Vedlikehold av kassettpilleren

For å beholde god kvalitet ved innspilling og avspilling, bør del A, B og C på bildet rengjøres etter ca. 50 timers spilling, eller i gjennomsnitt en gang i måneden. Bruk en lett fuktet bomullstopp med alkohol eller spesiell rengjøringsvæske for lydholder.

1. Åpne kassetluken ved å trykke på [■▲] [STOP/EJECT].
2. Trykk på [▶] [PLAY] og rengjør trykkrullene av gummi (C).
3. Trykk på [||] [PAUSE] og rengjør magnethodene (A) og kapstan (B).
4. Trykk på [■▲] [STOP/EJECT] etter rengjøringen.

**OBS!** Man kan også rengjøre hodene ved å spille av en rensekassett.



# Feilsøkingsskjema

Hvis det oppstår en feil, kontroller først følgende punkter før anlegget leveres inn til reparasjon. Åpne ikke anlegget da det er risiko for elektriske støt. Kontakt din forhandler eller en reparatør hvis du ikke kan ordne feilen ved å følge rådene under.

## Advarsel!

Du skal ikke under noen omstendigheter forsøke å reparere anlegget selv, da dette fører til at garantien blir ugyldig.

Problem	Årsak	Forslag til løsning
Ingen lyd / Ingen strøm.	Volumet er stilt på "0".	Still inn volumet.
	Strømkabelen er ikke satt i.	Kontroller og sett i strømkabelen ordentlig.
Displayet fungerer ikke/Displayet reagerer ikke i det hele tatt ved tastetrykk.	Statisk elektrisitet.	Skru av og trekk ut støpselet. Sett kontakten inn igjen etter noen sekunder.
Dårlig lyd kvalitet fra kassetten.	Støv eller smuss på lydhodene etc.	Rengjør kassettspillerens deler. Se vedlikeholdsinstruksjonen.
	Feil type kassett brukes. (METAL eller CROME)	Bruk kun NORMAL (IEC I) ved innspilling.
Innspilling til kassett fungerer ikke.	Kassettsens fliker (innspillingsbeskyttelse) kan være fjernet.	Bruk en annet kassett eller sett en teipbit over hullet der fliken satt.
Ingen plate-indikasjon.	Ingen CD-plate er lagt i.	Legg i en CD, CD-R eller CD-RW.
	CD-platen er ripet eller skitten.	Bytt eller rengjør platen. Se vedlikeholdsinstruksjonen.
	Laserlinsen er tåket.	Vent til tåken er borte.
	CD-R-platen er tom eller kopieringen er ikke avsluttet.	Bruk en ferdigkopiert CD-R.
Avspilling av CD-plater fungerer ikke.	CD-platen er ripet eller skitten.	Bytt eller rengjør platen. Se vedlikeholdsinstruksjonen.
	Laserlinsen er tåket.	Vent til tåken er borte.
CD-spilleren hopper over spor.	CD-platen er ripet eller skitten.	Bytt eller rengjør platen. Se vedlikeholdsinstruksjonen.
	Et program er aktivert.	Gå ut av programmet. (Se programmert avspilling.)
Det går ikke å spille MP3-filer fra USB- eller minnekortet.	Minnet ikke korrekt tilkoblet.	Ta ut og sett inn minnet igjen.
	Minnet inneholder ikke gyldige MP3-filer.	Koble til ett minne som inneholder MP3 eller WMA –filer.

# Avfallshåndtering

Når du skal kvitte deg med produktet, skal dette skje i henhold til lokale forskrifter. Er du usikker på hvordan du går fram, ta kontakt med lokale myndigheter.

## Spesifikasjoner

Nettspenning:	230 V AC, 50 Hz
Effektforbruk:	25W
Batteritype, fjernkontroll:	1 stk. AAA/LR03-batterier
Frekvensområde radio:	FM: 87,5-108 MHz AM: 522 – 1620 kHz
Størrelse:	170 x 258 x 277 mm

### MP3 spiller

Format:	ISO9660
Bitrate:	8 – 320 kBit/s

# Ministereot, CD-soitin ja USB-liitäntä

Art.no: 18-8007

Model: KW-102MP3US-UK

Art.no: 38-2367

Model: KW-102MP3US

Lue käyttöohjeet ennen tuotteen käyttöönottoa. Säilytä käyttöohjeet tulevaa tarvetta varten. Pidätämme oikeuden teknisten tietojen muutoksiin. Emme vastaa mahdollisista teksti- tai kuvavirheistä. Jos laitteeseen tulee teknisiä ongelmia, ota yhteys myymälään tai asiakaspalveluun (yhteystiedot käyttöohjeen lopussa).

## Turvallisuus

- Tuotteen saa korjata vain valtuutettu huoltoliike.
- Älä pura tai muuta tuotetta.
- Älä sijoita tuotetta sellaiseen paikkaan, josta se voi tippua veteen tai muuhun nesteeseen. Älä pane laitteen päälle nesteitä sisältäviä esineitä, kuten maljakoita tai limsapulloja.
- Sammuta stand-by-toiminto yön ajaksi ja poistuessasi kotoa.
- Älä peitä laitetta. Riittävä ilmastointi (vähintään 15 cm ilmastointiaukon ja ympäröivän pinnan välillä) on välttämätön, jotta laitteen ylikuumentuminen estetään.
- Älä käytä laitetta kosteissa tai pölyisissä tiloissa tai paikoissa, joissa siihen kohdistuu voimakasta värähtelyä.

## Huomioi seuraavat turvallisuussymbolit



**Varoitus!** Älä avaa laitteen koteloa! Kotelon sisällä on vaarallista jännitettä sisältäviä suojaamattomia komponentteja, jotka voivat aiheuttaa sähköiskun.



### LUOKAN 1 LASERLAITE

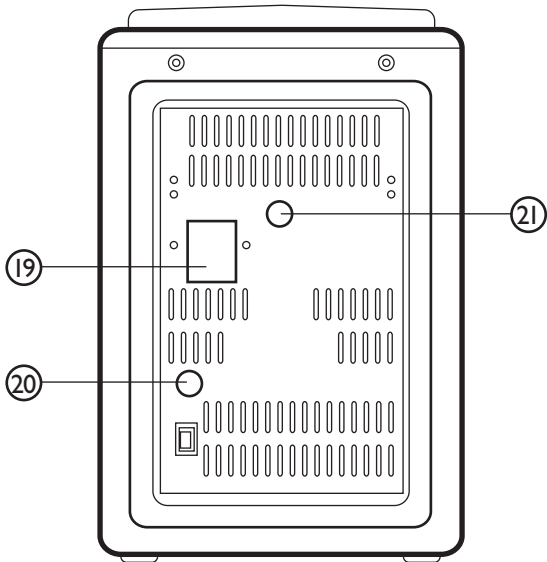
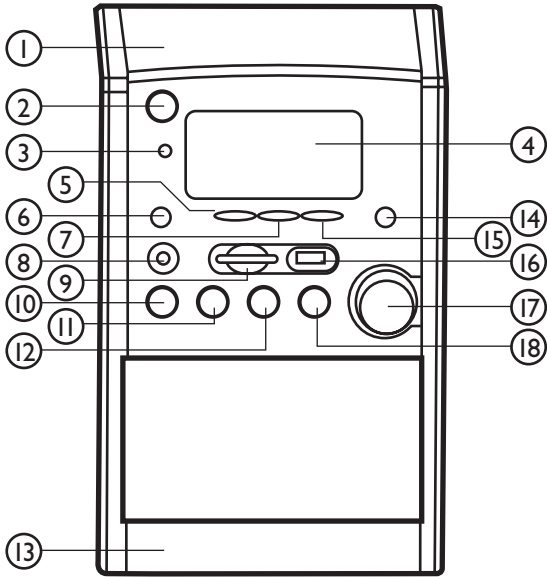
**Varoitus!** Älä avaa laitteen koteloa! Näkymätön lasersäde voi aiheuttaa silmävaurioita. Älä katso säteeseen edes optisten instrumenttien läpi.

## Tuotekuvas

- Ministereot, joissa CD-/MP3-soitin
- Kasettinauhuri
- AM-/FM-radio
- Liitäntä USB- ja MMC-/SD-muisteille
- Tunnistaa MP3-kappaleiden ID3-tagin
- Kuulokeliitäntä
- 230 V
- Kaukosäädin toimii kahdella R03-paristolla. Paristot eivät sisälly.

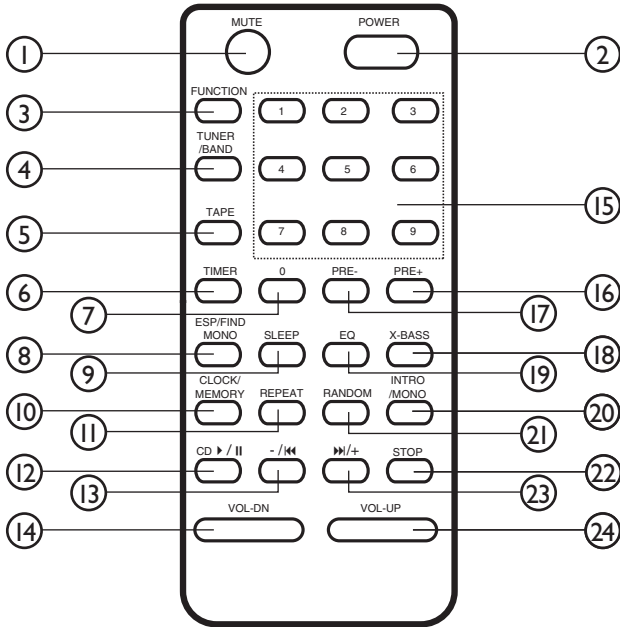
# Laitteen painikkeet ja toiminnot

SUOMI



1. **Cd-lokero**
2. **STAND BY** Virtakytkin – laitteen käynnistys ja sammutus
3. **Kaukosäätimen signaalin vastaanotto**
4. **LCD-näyttö**
5. **TUNER/BAND** Nauhanvalitsin
6. **FUNCTION** Toiminnonvalitsin
7. **CLOCK/MEMORY** Kellonajan asetus/näyttäminen ja CD-toiston ohjelmointi.
8. **AUX IN** Line in/out
9. **SD/MMC** Muistikortinlukija SD-/MMC-muisteille
10. **STOP** CD- tai MP3-toiston pysäytys
11. **[⏮]** Siirry raidan alkuun CD-tilassa. Siirry edelliseen raitaan painamalla useita kertoja.  
Vaihtaa radiotilassa radiokanavaa.
12. **[⏭]** Siirry seuraavaan raitaan painamalla painiketta CD-tilassa useita kertoja.  
Vaihtaa radiotilassa radiokanavaa.
13. **Kasettisoittimen toimintopainikkeet (luukun alla)**
14. **ESP/FIND** Paina kerran MP3-tilassa kun haluat nähdä MP3-levyt. Pidä painiketta pohjassa katsellaksesi MP3-tiedoston ID3-tageja.  
Vaihda stereo- ja monotilan välillä radiotilassa.
15. **REPEAT** Toista
16. **USB-väylä**
17. **VOLUME** Äänenvoimakkuuden säätö
18. **PLAY/PAUSE** Aloita toisto CD- tai MP3-tilassa.
19. **SPEAKERS** Kaiutinliitäntä
20. **Virtajohto**
21. **Kuulokeliitäntä (3,5 mm)**

# Kaukosäätimen painikkeet ja toiminnot





1. **MUTE** Äänen tilapäinen mykistys.
2. **POWER** Laitteen käynnistys ja sammutus
3. **FUNCTION** Vaihda CD-, radio-, kasetti- ja MP3- (USB/muistikortti) tilan välillä.
4. **TUNER/BAND** Radion suoravalinta/taajuuden vaihtaminen.
5. **TAPE** Kasettisoittimen suoravalinta.
6. **AJASTIN** Aktivoi ja sammuttaa ajastintoiminnon.
7. **[0]** Raitojen/tallennettujen radiokanavien valinta.
8. **ESP/FIND/MONO** Paina kerran MP3-tilassa, kun haluat nähdä MP3-levyt. Pidä painiketta pohjassa, kun haluat katsoa MP3-tiedoston ID3-tageja. Vaihda stereo- ja monotilan välillä radiotilassa.
9. **SLEEP** Aktivoi ja sammuttaa uniajastintoiminnon. Sammuttaa radion tai CD-soittimen 10–90 minuutin kuluttua.
10. **CLOCK/MEMORY** Kellonajan asetus/näyttämisen ja CD-toiston ohjelmointi.
11. **REPEAT** Yhden raidan tai koko albumin toisto.
12. **[▶/II]** Aloita toisto CD- tai MP3-tilassa painamalla painiketta kerran. Keskeytä toisto painamalla painiketta uudelleen.
13. **[-/◀]** Siirry raidan alkuun CD-tilassa. Siirry edelliseen raitaan painamalla useita kertoja. Vaihda radiotilassa radiokanavaa.
14. **VOL-DN** Äänenvoimakkuuden pienentäminen.
15. **1 – 9** Raitojen/tallennettujen radiokanavien valinta.
16. **PRE+** Siirry seuraavaan albumiin MP3-tilassa. Siirry seuraavaan radiokanavaan radiotilassa.
17. **PRE-** Siirry edelliseen albumiin MP3-tilassa. Siirry edelliseen tallennettuun radiokanavaan radiotilassa.
18. **DBBS** (Dynamic Bass Boost) – Aktivoi tai sammuta lisäbasso.
19. **EQ** Ääniasetusten muuttaminen.
20. **INTRO** Kaikkien raitojen ensimmäisten 10 sekunnin toisto CD-tilassa.
21. **RANDOM** Aktivoi CD:n tai MP3:n satunnainen toisto.
22. **STOP** Lopeta toisto CD- ja MP3-tilassa.
23. **[▶▶/+]** Siirry seuraavaan raitaan painamalla painiketta CD-tilassa useita kertoja. Vaihda radiotilassa radiokanavaa painamalla painiketta useita kertoja.
24. **VOL-UP** Äänenvoimakkuuden lisääminen.

# Asennus

## Kaiuttimet

Liitä kaiuttimet laitteen takana oleviin SPEAKERS-liitäntöihin. Liitä oikea kaiutin **R**-liitäntään ja vasen kaiutin **L**-liitäntään.

## Verkkoliitäntä

Liitä virtajohdon pistoke verkkopistorasiaan. Varmista, että laitteen takaosan arvokilpeen merkitty jännite (V) on sama, kuin sähköverkkosi jännite (230 V AC 50 Hz). Jos jännite on eri, kysy neuvoa myyjältä tai alan ammattilaiselta.

Katkaise laitteesta virta kokonaan irrottamalla pistoke pistorasiasta. Suojaa laitetta irrottamalla pistoke pistorasiasta myös voimakkaalla ukonilmalla.

## Kellonajan asetus

Kellonaika voidaan asettaa ainoastaan laitteen ollessa valmiustilassa.

1. Siirry valmiustilaan painamalla laitteen [STAND BY]-painiketta (2) (huom. älä paina kaukosäätimen painiketta).
2. Paina laitteen [CLOCK/MEMORY]-painiketta (7) kolmen sekunnin ajan, kunnes --:-- vilkkuu näytöllä.
3. Valitse 12 tai 24 tunnin näyttötapa painamalla [▶▶] tai [◀◀]. Vahvista valinta painamalla [CLOCK/MEMORY].
4. Aseta tunnit painamalla [▶▶] tai [◀◀]. Vahvista painamalla [CLOCK/MEMORY].
5. Aseta minuutit painamalla [▶▶] tai [◀◀]. Tallenna asetukset painamalla [CLOCK/MEMORY].
6. Poistu valmiustilasta painamalla laitteen [STAND BY]-painiketta (2).

# Käyttö

## Sammuta virta ja säästä sähköä!

Vältä turhaa sähkönkulutusta sammuttamalla laite aina kun sitä ei käytetä.

## Radion kuuntelu

### Radiokanavan manuaalinen valinta

1. Käännä antennia, kunnes saavutat parhaan kuuluvuuden.
2. Aktivoi radio painamalla kerran [FUNCTION] (6) tai [TUNER/BAND] (5).
3. Valitse taajuusalueeksi AM tai FM painamalla [TUNER/BAND] (5).
4. Aseta taajuus painamalla [▶▶] (12) tai [◀◀] (13).
5. Valitse stereo- tai monovastaanotto painamalla kaukosäätimestä [ESP/FIND/MONO] tai kaukosäätimen 8-painikkeesta.
6. Säädä äänenvoimakkuutta laitteesta (17) tai kaukosäätimen 12/24-painikkeesta.

### Radiokanavien automaattinen haku

1. Käännä antennia, kunnes saavutat parhaan kuuluvuuden.
2. Aktivoi radio painamalla [FUNCTION] (6) tai [TUNER/BAND] (5).
3. Valitse aallonpituus painamalla [TUNER/BAND] (5).
4. Aloita kanavahaku painamalla muutaman sekunnin ajan [▶▶] (12) tai [◀◀] (13). Päästä painike, kun haku alkaa.
5. Haku pysähtyy ensimmäisen kanavan kohdalle, jolla on riittävän voimakas signaali.
6. Toista kohtia 3 ja 4, kunnes löydät haluamasi kanavan.
7. Säädä äänenvoimakkuutta laitteesta (17) tai kaukosäätimen 12/24-painikkeesta.

### Radiokanavien tallentaminen (kaukosäätimen avulla)

Soittimeen voi tallentaa yhteensä 20 radiokanavaa (10 FM-kanavaa ja 10 AM-kanavaa).

1. Hae radiokanavia yllä olevien ohjeiden mukaan.
2. Aktivoi ohjelmointitila painamalla kerran [CLOCK/MEMORY] (7). Kanavamerkintä vilkkuu näytöllä.
3. Valitse muistipaikka kanavalle painamalla PRE+ tai PRE-.
4. Tallenna ja vahvista asetukset painamalla uudelleen CLOCK/MEMORY.
5. Tallenna lisää kanavia toistamalla kohdat 1-4.

### Vinkkejä hyvään vastaanottoon

**AM:** Laitteessa on sisäinen ferriittiantenni AM-vastaanottoon. Mikäli vastaanotto on heikko, voit yrittää siirtää tai kääntää soitinta.

**FM:** Vedä antenni täysin ulos ja pidä sitä mielellään pystyasennossa. Hae paras kuuluvuus kokeilemalla.

## Cd-levyn kuuntelu

1. Avaa CD-lokero painamalla sitä alaspäin **OPEN/CLOSE**-merkinnän kohdalta. Luukusta kuuluu klik-ääni, kun se avautuu.
2. Aseta CD-levy (audiolevy tai MP3-tiedostoja sisältävä CD-R/CD-RW-levy) CD-lokeroon kuvapuoli ylöspäin.
3. Sulje CD-lokero painamalla sitä alaspäin **OPEN/CLOSE**-merkinnän kohdalta. Luukusta kuuluu klik-ääni, kun se sulkeutuu.
4. Valitse CD-tila painamalla [FUNCTION] (6).
5. Näytölle ilmestyy pian levyn raitojen kokonaismäärä.
6. Aloita toisto painamalla [PLAY/PAUSE] (18). Soitin aloittaa toiston ensimmäisestä raidasta.
7. Keskeytä toisto tilapäisesti painamalla [PLAY/PAUSE] (18). Pysäytetyn raidan numero vilkkuu näytöllä. Jatka toistoa painamalla uudestaan [PLAY/PAUSE] (18).
8. Lopeta toisto painamalla kerran [STOP] (10).

### Toisen raidan valitseminen

1. Voit toiston tai tauon aikana valita toisen raidan painamalla [▶▶] (12) tai [◀◀] (13).
2. Siirry seuraavaan raitaa painamalla nopeasti [▶▶] (12), tai paina painiketta niin monta kertaa, että löydät haluamasi raidan.
3. Siirry toistettavan raidan alkuun painamalla nopeasti [◀◀] (13). Siirry edellisiin raitoihin painamalla painiketta nopeasti useita kertoja.

### Raidan tietyn kohdan löytäminen

(koskee ainoastaan CD-levyjä ja CD-levyjä, joilla on MP3-tiedostoja).

1. Aloita haluamasi kohdan etsintä pitämällä painettuna [▶▶] (12) tai [◀◀] (13). CD-levyä toistetaan nopeasti ja äänenvoimakkuus on pieni.
2. Päästä painike, kun olet päässyt haluamaasi kohtaan. Normaali toisto jatkuu.

### MP3-tiedostoja sisältävän levyn toistaminen

1. Aseta MP3-tiedostoja sisältävä levy lokeroon.
2. Valitse CD-tila painamalla [FUNCTION] (6).
3. Näytölle ilmestyy raitojen ja kansioiden määrä.
4. Valitse albumi/katalogi painamalla kaukosäätimestä [PRE-] tai [PRE+].
5. Valitse raita painamalla [▶▶] (12) tai [◀◀] (13).
6. Aloita toisto painamalla [PLAY/PAUSE] (18).
7. Valitse toinen raita tai albumi/katalogi toistamalla kohdat 3 ja 4.
8. Lopeta toisto painamalla kerran [STOP] (10).

## **MP3-tiedostojen toistaminen USB-muistista tai muistikortilta**

1. Valitse CARD-USB painamalla [FUNCTION] (6). Näytöllä lukee "CARD-USB".
2. Laita soittimeen USB-muisti tai SD- tai MMC-muistikortti.
3. Näytöllä näkyy muistilla olevien raitojen sekä albumien/katalogien kokonaismäärä.
4. Valitse albumi/katalogi painamalla kaukosäätimestä [PRE+] (16) tai [PRE-] (17).
5. Valitse raita painamalla [▶▶] (12) tai [◀◀] (13).
6. Aloita toisto painamalla [PLAY/PAUSE] (18).
7. Valitse toinen raita tai albumi/katalogi toistamalla kohdat 4 ja 5.
8. Lopeta toisto painamalla kerran [STOP] (10).

### **MP3-raitojen haku**

1. Aktivoi hakutila painamalla kerran [ESP/FIND] (14).
2. Selaa kaikki raidat aakkosjärjestyksessä painamalla [▶▶] (12) tai [◀◀] (13).
3. Kun haluttu raita näkyy näytöllä, aloita toisto painamalla [PLAY/PAUSE] (18).

### **MP3-albumien haku**

1. Aktivoi hakutila painamalla kerran [ESP/FIND] (14).
2. Selaa kaikki albumit aakkosjärjestyksessä painamalla [▶▶] (12) tai [◀◀] (13).
3. Kun haluttu albumi näkyy näytöllä, aloita toisto albumin ensimmäisestä raidasta painamalla [PLAY/PAUSE] (18).

## Muut toiminnot (CD/MP3)

### Jatkuva toisto

Paina [REPEAT] (15) kerran tai useasti, kun haluat uudelleentoistaa raidan, albumin/katalogin (vain MP3) tai koko levyn. Valittu uudelleentoistotapa näkyy näytöllä.

### Satunnainen toisto

Aktivoi satunnainen toisto painamalla kaukosäätimestä [RANDOM] (21).

Satunnaistoiston ollessa aktivoituna näytöllä lukee "RANDOM".

Lopeta satunnainen toisto painamalla uudestaan [RANDOM] (21) tai [STOP] (10).

### ESP (Puskurimuisti)

ESP aktivoituu automaattisesti MP3-tiedostoja sisältävää CD-levyä toistettaessa.

Sammuta toiminto painamalla [ESP/FIND] (14).

### Ohjelmoitu toisto (CD-/MP3-levy/USB-muisti/muistikortti)

Soitin voidaan ohjelmoida toistamaan jopa 64 raitaa halutussa järjestyksessä.

1. Paina kerran [CLOCK/MEMORY] (7). Näytöllä näkyy "MEMORY", ohjelmanumero ja raidan numero.
2. Valitse raita painamalla [▶▶] (12) tai [◀◀] (13).
3. Vahvista valinta painamalla kerran [CLOCK/MEMORY] (7).
4. Toista kohdat 2 ja 3 muiden raitojen ohjelmoimiseksi.
5. Aloita ohjelmoitu toisto painamalla [PLAY/PAUSE] (18).
6. Lopeta ohjelmoitu toisto ja poista ohjelmointi painamalla [STOP] (10).

### MUTE-toiminto (mykistys)

Sammuta ääni tilapäisesti painamalla kaukosäätimestä [MUTE] (1).

Palauta ääni painamalla uudelleen [MUTE] (1).

### Esisäädetty taajuuskorjain

Valitse haluamasi ääniasetus painamalla [EQ] (19). Valittu ääniasetus näkyy näytöllä.

## Kasettien soittaminen

1. Valitse äänilähteeksi TAPE painamalla [FUNCTION] (6) tai painamalla [TAPE] (5) kaukosäätimellä.
2. Avaa painikkeiden päällä oleva kansi (13).
3. Avaa kasettilokero painamalla [■▲] [STOP/EJECT].  
(Painikkeet ovat piilossa suojaluukun alla.)
4. Aseta lokeroon kasetti ja sulje lokero.
5. Aloita toisto painamalla [▶] [PLAY].
6. Paina [||] [PAUSE], jos haluat keskeyttää toiston tilapäisesti. Jatka toistoa painamalla uudelleen [||] [PAUSE].
7. Pikakelaa nauhaa eteen- tai taaksepäin painamalla [◀◀] tai [▶▶].
8. Pysäytä nauha painamalla [■▲] [STOP/EJECT]. Painikkeet vapautuvat automaattisesti nauhan loputtua, mikäli [||] [PAUSE] ei ole painettuna.

## Tallennus

### Yleistä tietoa tallennuksesta

Tallentaminen on sallittua, ellei se riko tekijänoikeuksia tai muita kolmannen osapuolen oikeuksia.

Kasettinauhurilla ei voi tallentaa seuraaville kasettityypeille: CHROME (IEC II) ja METAL (IEC IV). Käytä NORMAL (IEC I)-kasetteja, joiden kielekkäitä ei ole poistettu.

Äänenvoimakkuus on automaattisesti oikea tallennettaessa. Ääneen ei voi vaikuttaa nauhoituksen aikana VOLYM- ja DBBS-näppäimillä.

Nauhan alussa ja lopussa on 7 sekunnin pätkä, jonka päälle ei voi nauhoittaa.

Voit varmistaa, ettei nauhan päälle tallenneta vahingossa murtamalla toisen tai molemmat muovikielekkeet kasetin alaosaan. Poistetun kielekkeen puolelle ei voi tallentaa. Jos peität reiän teipillä, voit taas nauhoittaa kasetille.

### Tallennus radiosta, CD:ltä tai MP3:ltä

1. Valitse radio, CD tai MP3 painamalla [FUNCTION] (6).
2. Avaa kasettilokero painamalla [■▲] [STOP/EJECT].
3. Aseta lokeroon kasetti ja sulje lokero.
4. Aloita nauhoitus painamalla yhtäaikaan [●] [RECORD] ja [▶].
5. Keskeytä tallennus hetkeksi painamalla [||] [PAUSE].
6. Jatka tallennusta painamalla uudelleen [||] [PAUSE].
7. Lopeta nauhoitus painamalla [■▲] [STOP/EJECT].

# Huolto ja ylläpito

## Yleinen huolto

Käytä puhdistamiseen pehmeää ja kuivaa liinaa. Älä käytä puhdistusaineita, jotka sisältävät alkoholia, ammoniakkaa, bensiiniä tai hiovia aineita. Ne voivat vahingoittaa kuorta.

## CD-soittimen ja CD-levyjen käsittely



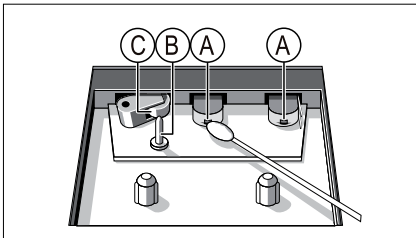
- CD-soittimen lukupäähän ei saa koskea!
- Ympäristön äkilliset lämpötilanmuutokset voivat aiheuttaa kosteuden tiivistymisen CD-soittimen lukupäähän. Tällöin CD-levyjä ei voi soittaa.
- Älä yritä kuivata lukupäätä, vaan anna laitteen olla lämpimässä huoneessa, kunnes kosteus on hävinnyt.
- Sulje aina CD-kansi, jotta lokero pysyy pölyttömänä. Käytä tarvittaessa pölyn poistamiseen pehmeää ja kuivaa liinaa.
- Puhdista CD-levy tarvittaessa pehmeällä, nukkaamattomalla liinalla keskeltä suoraan reunaa kohti. Älä käytä puhdistusaineita, ne voivat vahingoittaa levyä.
- Älä kiinnitä CD-levyihin tarroja.

## Kasettinauhurin huolto

Jotta tallennus ja toisto säilyisivät hyvänlaatuisina, tulee kuvan osat A, B ja C puhdistaa noin 50 käyttötunnin jälkeen tai keskimäärin kerran kuukaudessa. Käytä puhdistamiseen kevyesti alkoholilla tai äänipäille tarkoitetulla puhdistusnesteellä kostutettua vanupuikkoa.

1. Avaa kasettilokero painamalla [■▲] [STOP/EJECT].
2. Paina [▶] [PLAY] ja puhdista kumiset painotelat (C).
3. Paina [||] [PAUSE] ja puhdista magneettipäät (A) ja vetoakseli (B).
4. Paina [■▲] [STOP/EJECT] puhdistuksen jälkeen.

**Huom.!** Äänipäät voi myös puhdistaa käyttämällä puhdistusnauhaa.





# Vianhakutaulukko

Jos laitteessa ilmenee vika, tarkasta seuraavat kohdat ennen kuin viet laitteen huoltoon. Älä avaa laitetta – sähköiskuvaara. Jos vika ei tule kuntoon seuraavien ohjeiden avulla, ota yhteys myymälään tai asiakaspalveluun.

## VAROITUS!

Älä yritä korjata laitetta itse, sillä se johtaa takuun raukeamiseen.

Ongelma	Syy	Ratkaisuehdotus
Ei ääntä/ ei virtaa	Onko äänenvoimakkuus säädetty nolnaan ("0")?	Säädä äänenvoimakkuus.
	Virtajohtoa ei ole liitetty.	Tarkasta/liitä virtajohto.
Näyttö ei toimi. Näyttö ei reagoi painalluksiin.	Staatista sähköä.	Sammuta laite ja irrota pistoke pistorasiasta. Liitä pistoke muuttaman sekunnin kuluttua.
Kasetin huono äänenlaatu.	Pölyä tai likaa äänipäissä.	Puhdista kasettisoittimen osat. Katso huolto-ohjeita.
	Vääränlainen kasetti (METAL tai CROME).	Käytä nauhoitukseen vain NORMAL (IEC I)-kasetteja.
Nauhoitus kasetille ei onnistu.	Kasetin kielekkeet (nauhoitussuoja) voivat olla murrettu.	Vaihda kasettia tai laita teipit kielekkeiden paikoille.
Ei ilmoitusta levystä.	Laitteessa ei ole CD-levyä.	Aseta laitteeseen CD, CD-R tai CD-RW.
	Levy on naarmuuntunut tai likainen.	Puhdista tai vaihda levy. Katso huolto-ohjeita.
	Laserlukupää on kostea.	Anna lukupään kuivua.
	CD-R levy on tyhjä tai kopiointia ei ole päätetty oikein.	Käytä valmiiksi kopioitua CD-R-levyä.
CD-levyn toisto ei onnistu.	Levy on naarmuuntunut tai likainen.	Puhdista tai vaihda levy. Katso huolto-ohjeita.
	Laserlukupää on kostea.	Anna lukupään kuivua.
CD-levy hyppii raitojen yli.	Levy on naarmuuntunut tai likainen.	Puhdista tai vaihda levy. Katso huolto-ohjeita.
	Ohjelmointi on päällä.	Poistu ohjelmointitilasta. (Katso kohta ohjelmoitu toisto.)
Mp3-tiedostojen soittaminen USB-muistista tai muistikortilta ei onnistu.	Muistia ei ole liitetty oikein.	Irrota muisti ja liitä se uudelleen.
	Muistissa ei ole kunnollisia MP3-tiedostoja.	Liitä muisti, jolla on MP3- tai WMA-tiedostoja.

# Kierrätys

Kierrätä tuote asianmukaisesti, kun poistat sen käytöstä. Ota yhteys kuntasi jäteneuvontaan, mikäli olet epävarma.

## Tekniset tiedot

Verkkojännite:	230 V AC, 50 Hz
Tehonkulutus:	25 W
Kaukosäätimen paristot:	1 kpl AAA/LR03-paristoa
Radion taajuusalue:	FM: 87,5–108 MHz AM: 522–1620 KHz
Mitat:	170 x 258 x 277 mm

### MP3-soitin

Formaatti:	ISO9660
Bitrate:	8–320 kBit/s



