

DVD/MPEG4 Player



Article no. 18-8008
38-2445

Model M841-UK
M841

Ver. 200802

CLAS OHLSON

www.clasohlson.com



WARNING: TO REDUCE THE RISK OF FIRE OR ELECTRIC SHOCK, DO NOT EXPOSE THIS APPLIANCE TO RAIN OR MOISTURE.



CAUTION: TO REDUCE THE RISK OF ELECTRIC SHOCK, DO NOT REMOVE COVER (OR BACK). NO USER SERVICEABLE PARTS INSIDE. REFER SERVICING TO QUALIFIED SERVICE PERSONNEL.



The lightning flash with arrowhead symbol, within an equilateral triangle, is intended to alert the user to the presence of uninsulated dangerous voltage within the product's enclosure that may be of sufficient magnitude to constitute a risk of electric shock to persons.



The exclamation point within an equilateral triangle is intended to alert user to the presence of important operating and maintenance (servicing) instructions in the literature accompanying the appliance.



Laser product symbol: located on the rear panel of the unit, indicate this player is a class laser product, only use weak laser and no hazardous radiation outside of the unit.

1. Read through this instruction manual before installation and use.
2. Do not touch the power plug with wet hand.
3. Switch off the main power when the unit is not in use. (Disconnect the power plug from the power outlet when you do not intend to use the unit for a prolonged period of time.)
Before moving the unit, remove the disc from the unit/ tray first.
4. Do not open the cover or touch any of the components exposed out of the unit, only for qualified technicians.
5. Do not expose the unit under direct sunlight or nearby objects that radiate heat to avoid damage the unit.
6. Do not place the unit in moist and humid conditions, which effect the pick-up of the unit lead to out of work.
7. Place the unit on a flat surface and ventilative condition. Please ensure the ventilation holes are not covered to avoid overheating and malfunction.

8. Clear the panel and case with soft dry cloth only, do not apply any kind of thinner, alcohol or sprays.

9. The apparatus shall not be exposed to dripping or splashing and that no objects filled with liquids, such as vases, shall be placed on the apparatus

10. unplug the apparatus when not using for a long time oriented to disconnect from the Mains power

Macrovision:

This product incorporates copyright protection technology that is protected by method claims of certain U.S patents and other intellectual property rights owned by Macrovision Corporation, and is intended for home and other limited viewing uses only unless otherwise authorized by Macrovision Corporation. Reverse engineering or disassembly is prohibited.

DOLBY PROLOGIC:

Manufactured under license from Dolby Laboratories.

"Dolby", "Pro Logic", and the double-D symbol are trademarks of Dolby Laboratories.

Contents

1.	Precautions-----	4
2.	Front Panel and Rear Panel Illustration -----	5
3.	Remote Control-----	6
4.	Connections-----	8
5.	Function Operation-----	11
6.	MP3/MPEG4 Playing -----	15
7.	Picture CD Playback -----	17
8.	USB/CARD READER Operation-----	17
8.	System Setup-----	18
9.	Troubleshooting-----	24
10.	Technical Specification-----	26
11 .	Recycling-----	27

1. PRECAUTIONS

Before using this unit, be sure to read the applicable items of the operating instructions and these safety suggestions carefully.

Afterwards keep them handy for future reference.

Take special care to follow the warnings indicated on the unit itself as well as in the operating instructions.

Safety

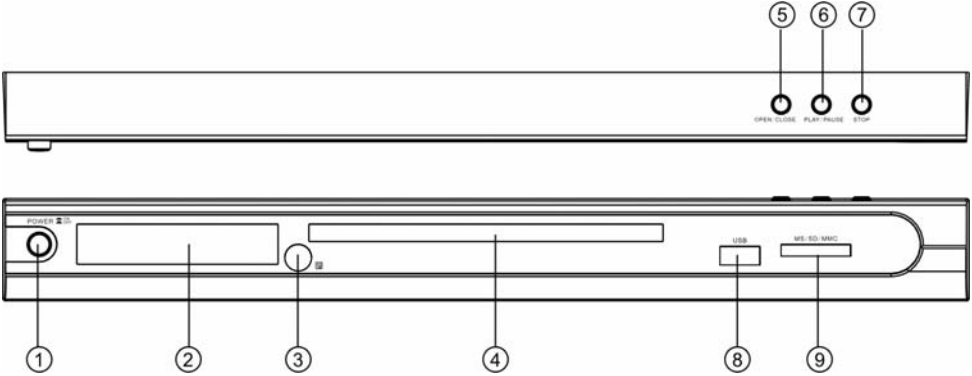
Power Source-The unit should be connected to power supply only of the type described in the operating instructions or as marked on the unit.

Environment

1. Water and moisture do not use this unit near water.
For example, near a bathtub, wash bowl, swimming pool, or the like, Damp basements should also be avoided.
2. Condensation-moisture may form on the lens in the following conditions.
Immediately after a heater has been turned on.
In a steamy or very humid room.
When the unit is suddenly moved from a cold environment to a warm one, if moisture forms inside this unit, it may not operate properly, to correct this problem wait about one hour for the moisture to evaporate.
3. Heat never use or place this unit near a heat source.
Do not leave it in an automobile exposed to direct sun light for a long time with the doors and windows closed as this may deform the cabinet.

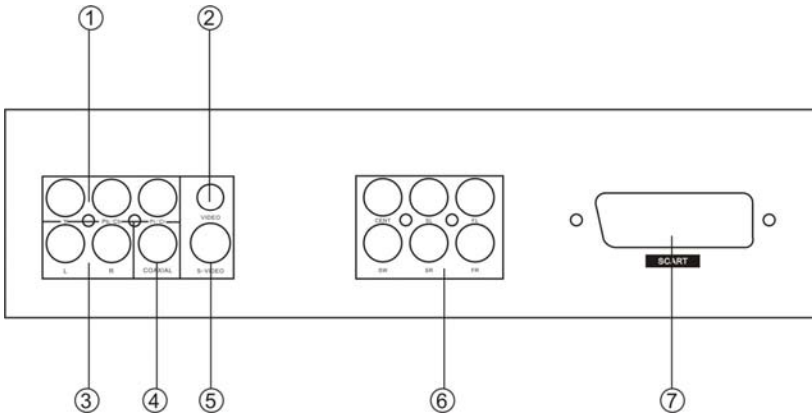
2. FRONT PANEL AND REAR PANEL ILLUSTRATION

Front panel



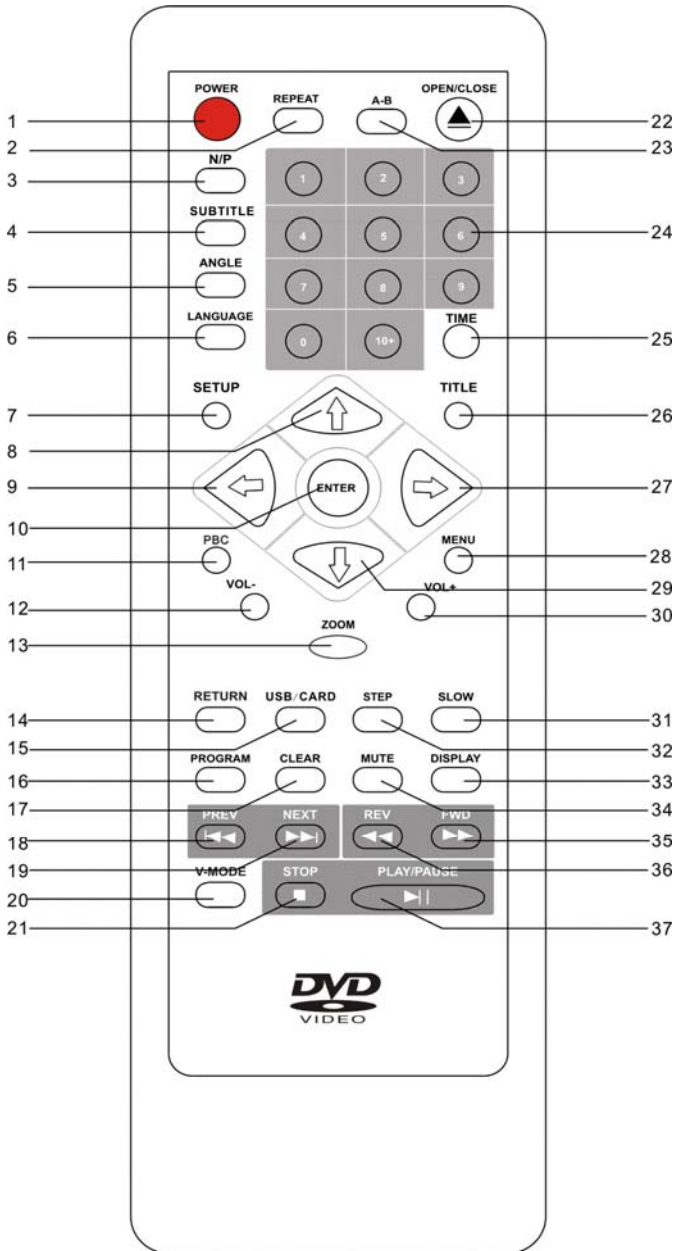
- ① Power ② Display Screen ③ Sensor ④ Disc Tray
 ⑤ Open/Close ⑥ Play /Pause ⑦ STOP ⑧ USB ⑨ 3 in 1 Card Reader

Rear panel



- ① Component Video Output ② Composite Video Output ③ Downmix Left/Right
 ④ Coaxial Output ⑤ S-video Output ⑥ 5.1 Channel Audio Output
 ⑦ SCART Output

3. REMOTE CONTROL



1. Power
2. Repeat
3. N/P
4. Subtitle
5. Angle
6. Language
7. Setup
8. Up button
9. Left button
10. Enter button
11. PBC
12. Volume -
13. Zoom
14. Return
14. USB/CARD
16. Program
17. Clear
18. PREV
19. Next
20. V-Mode
21. Stop
22. Open/Close
23. A-B
24. Numeric Button
25. Time
26. Title
27. Right Button
28. Menu
29. Down Button
30. Volume +
31. Slow
32. Step
33. Display
34. Mute
35. FWD
36. REV
37. Play/Pause

Using the Remote Control

Unless stated otherwise, the remote control can operate all the features of the DVD Player, Always point the remote control directly at the remote sensor on the front of the DVD Player, not the TV.

Battery Installation

Remove the battery compartment lid on the rear of the remote control by sliding the lid down, then off.

Place two AAA batteries inside the battery compartment with their + and ends aligned as indicated.

Do not mix old and new batteries or different types of batteries

Replace the battery compartment lid. Slide the lid until you hear it click into place.

Important:

When replacing batteries, please take care to waste them in accordance with current regulation. For this matter please put them in the right assigned place, in order to ensure they are surely recycled while respecting environment.

Do not burn them or bury them.

4.CONNECTIONS

- Turn off the power before connection.
- Turn on the power after finishing connection.

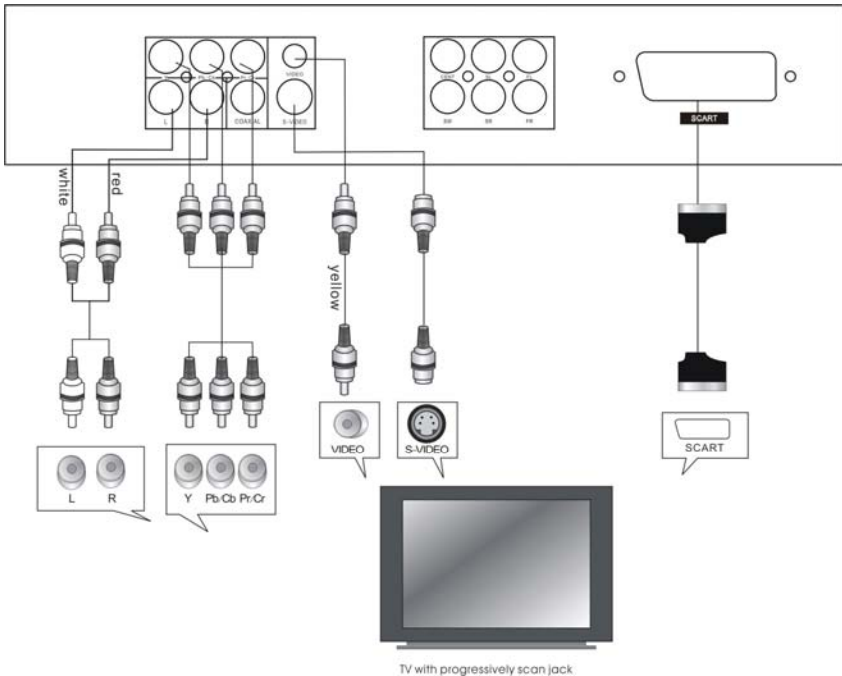
Wires must be firmly connected; especially the plug shall be fully inserted.

DVD+TV

Notes :

There are the following ways of connecting the player AV output to the TV set:

- S-video cable and left/right audio cable (set the video type to **S-VIDEO**)
- Composite video cable and left/right audio cable
- Component video cable and left/right audio cable (set the video type to **component**, if you connecting a progressive scan TV set, please set the video type to **P-Scan**)
- Scart cable (press V-MODE button to switch the video mode to and set the video type to **RGB**)

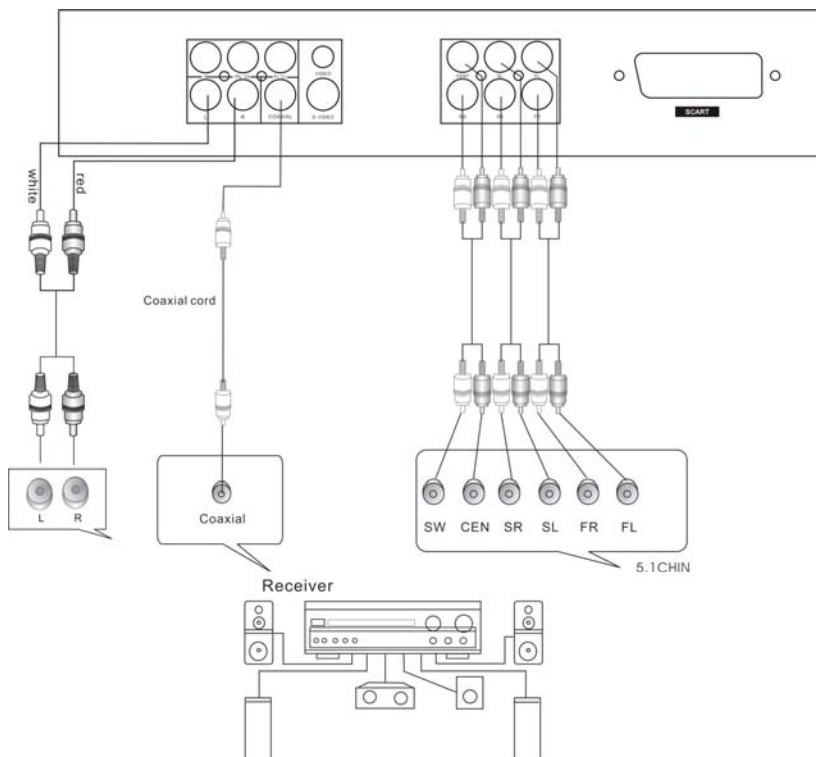


DVD+ AV Amplifier:

Notes :

There are the following ways of connecting the player with amplifier:

- left/right audio output
- 5.1 channel audio output
- coaxial audio output



Warning:

Do not connect any amplifier with coaxial connector that does not contain Dolby digital decoder. Any attempt to do so and play of DVD will result in damaging your speakers and causing possible hearing injury. Other than DVDs and CDs can be operated normally without conforming to the above restriction.

Setting of TV system

If you find the image like non-fully zoomed picture, brim picture covered or black & white picture etc, please select PAL or NTSC by systems setting or press **N/P** button to switch the TV system on the remote control. This DVD disc is capable of supporting different scales picture, as a result, non-full zoomed picture could appear or picture be partially covered on user's TV set.

5. FUNCTION OPERATION

5.1 Function Buttons On the Front Panel

These button's function is the same as the corresponding buttons on the remote control. For the detail information, please see the following texts.

5.2 Function Buttons On the Remote Control

POWER

Press the button to switch the power between ON and OFF.

OPEN/CLOSE

To open the disc tray, press **OPEN/CLOSE**; To close the disc tray, press **OPEN/CLOSE** again.

SUBTITLE

Press the button to display different captions(*Requires support from disc*)

LANGUAGE

Press the button to choose different dubbing languages(*Requires support from disc*)

TIME

For DVDs, press the button to choose the desired title and chapter and search the desired title time and chapter time.

For CDs, press this button to search the desired disc time and track time and choose the desired track.

0-10+ keys

These keys are used to input the time, as well as title, chapter and track numbers.

When a numeric item is displayed on the screen, press the 0-10+ keys to select the desired entry, and press **ENTER** to confirm.

CLEAR

Press **CLEAR** to delete numbers you have entered.

MENU

During DVD playback, press **MENU** to display the disc menu of the current title.

Note: *This function is subject to the disc*

SETUP

Press the button to enter the system setting menu. press the button again to exit the menu.

DISPLAY

Press the button to show the information of the current playing disc.

TITLE

Press the button to enter the appointed title. *(Requires disc support)*

Direction key(UP/DOWN/RIGHT/LEFT)

Press the keys to move the highlighted bar or cursor on any menu to your selection.

ENTER

Press the button to confirm your choice on screen.

REV:

During DVD or CD playback, press **REV** to scan in reverse.

The player will review the disc at different times speed. Press **PLAY/PAUSE** to resume normal playback.

FWD

During DVD or CD playback, press **FWD** to scan forward.

The player will cue the disc at different speed. Press **PLAY/PAUSE** to resume normal playback.

PREV

During DVD or CD playback, press **PREV** to play the previous chapter, title or track.

NEXT

During DVD or CD playback, press **NEXT** to play the next chapter, title or track.

STEP

Press the key, You can play the disc step by step, in this way, you can catch any picture on the disc (not for mp3, CD). Press **PLAY/PAUSE** button to play normally.

STOP

Press the button once and the player will be in memory stop state. Continuously press this button twice and the player will be in complete stop state.

Play/Pause

In play state, press the button for the first time and the player will be in pause state. To resume normal playback press the button again, In pause state or stop state, press the button, the player will be in playing state.

VOLUME +/-

Press **VOL+** to increase volume and press **VOL-** to decrease volume.

REPEAT

Each press of the **REPEAT** button will change the repeat mode.

During CD playback, there are three modes: repeat Single, repeat All and Off.

During DVD playback, there are three modes: Repeat Chapter, Repeat Title and Off.

A-B

During playback, press **A-B** to select point A, press it again to select point B. The player will repeat the section from A to B automatically. Press **A-B** a third time to cancel A-B repeat and clear points A and B.

Note: During CD playback, points A and B must be within the same track.

During DVD playback, points A and B can be selected from different chapters.

ANGLE

Press the button to view scenes shot from **ANGLE** difference angles. (*Disc support is required*)

MUTE

Press **MUTE** to turn off the audio, press **MUTE** again to resume normal sound.

USB/CARD

Press the button, you can switch between the USB and Card.

N/P

In the **STOP/OPEN TRAY/NO DISC** state, Press the button on the remote control and choose **AUTO NTSC PAL** for the TV system.

SLOW

During DVD playback, press **SLOW** for slow motion playback.

Once you press **SLOW**, the disc will play at different speed. Press **PLAY/PAUSE** to resume normal playback.

V-MODE

In the **STOP/OPEN TRAY/NO DISC** state, Press **V-MODE** key, you can select different video output mode.

PROGRAM

The Program Playback option allows entering the order in which the chapters or tracks will be played, up a maximum to 16.

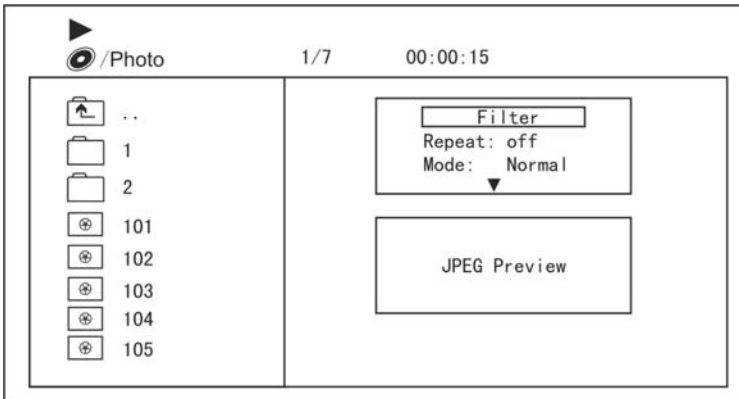
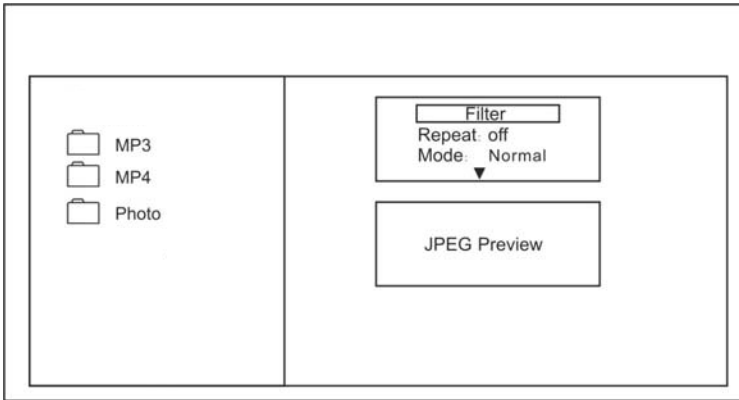
Press Program button to display the Program Menu. According to the highlight, move the cursor to the chapters / tracks you want to play, then press ENTER to confirm . Then press Play or use arrow buttons to highlight the “PLAY” item and press Enter. The chapters / tracks will play in the programmed order. During Program Playback, if Program button pressed, the programmed order and the contents will be displayed on the screen, and the Program Playback will be stopped. Also Stop and Play can be pressed to resume normal playback. To clear the programmed order, use arrow buttons to highlight the “CLEAR” item, then press Enter to modify the programmed order, use arrow buttons to highlight the modifying item and enter the new chapter / track you want to program directly.

ZOOM


As you press the button you view the different **ZOOM** magnifications of the picture.

Note: This function may differ for different types of discs

6. MP3/WMA/MPEG4 PLAYING



The MP3/MPEG4 disc has such a directory structure as shown in the right picture.

Press **Direction key** to choose the root directory and then press ENTER button to enter into the sub directory. Press **Direction key** to choose the desired track and then press **ENTER** or **PLAY** to enjoy the music or movie. If you want to return to the upper menu, press **Direction key** to choose  the icon and press **ENTER** button.

Filter: Allows selecting the categories of files displayed in the browser list.

This selection is done among the 3 categories: Audio, Photo and Video.

Repeat: To switch different repeat playing mode.

Mode: Select different playing mode.

Normal: Shuffle mode is cancelled

Shuffle: Shuffle mode enabled. When playback reaches the end of the current chapter/track, playback jumps to a random chapter/track.

As the end of each chapter/track is reached, another random chapter/track will be played until all tracks/chapters have been played or the Shuffle mode is cancelled by toggling to a different "Mode" option.

Music Intro: In this mode, the media will play 10 seconds then skip to next media

Edit Mode: *To enable programmed playback mode. When you select the mode , press **LEFT Direction key** to directory and press ENTER to choose the desired track and press **Add to program** to start program playback.*

Program view: Display program track

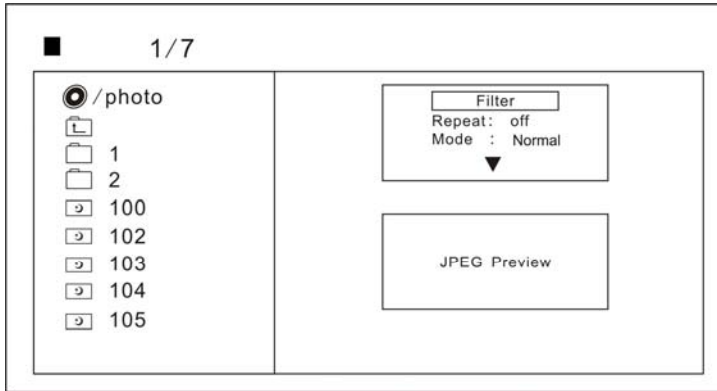
Brower view: Display track directory

Add to program: Choice the track press **Add to program** to add the track of the program play directory.

Clear program : In the complete stop state(press the **STOP** button twice), Choose the track press **Clear program** to delete the track of the program play directory

7. PICTURE CD PLAYBACK

The KODAK PICTURE CD disc has such a directory structure as shown in the right picture.




Press **Direction key** to choose the root directory and then press ENTER button to enter into the sub directory. Press **Direction key** to choose the desired picture and then press **ENTER** or **PLAY** to enjoy the picture. If you want to return to the upper menu, press **Direction key** to choose  the icon and press **ENTER** button.

Image rotation

In picture play state, press **Direction key** to rotation the picture, press ANGLE button to change the picture scan mode.

8. USB/CARD READER OPERATION

Power on your DVD player.

Insert your USB disk or card memory, press USB/CARD button to choose the USB disk or Card memory source device input, Press **Direction key** to move ,Press **ENTER** button to confirm your choice. When you choice the file from the USB disk or Card memory device ,the DVD player will automatically play the media file.

Note: The button is valid in complete stop or NO DISC status.

9. SYTSTEM SETUP

DVD menu setup

Press the **SETUP** button on the remote control, the SETUP MENU (main) will be displayed. After accessing the setup menu, press the direction buttons for up and down movement to select an item desired, then press the **ENTER** button to confirm .Press **LEFT** direction button return to the menu of upper level.

To exit the setup, press the **SETUP** button again. In the SETUP MENU, you may choose any of the following options as you like.

9.1 LANGUAGE SETUP

Select **Language** in the setup menu, and display the **Language** submenu:

Language	OSD Language : English
Video	Subtitle : English
Audio	Audio : English
Rating	DVD Menu : English
Misc	

9.1.1 OSD Language

Use this item to select the language of the setup menu and screen display.

9.1.2 Subtitle

This option provides the preset subtitle language.

Follow the operating instructions stated in "DVDMENU SETUP" in combination with the desired option.

9.1.3 Audio

Follow the operating instructions stated in "DVDMENU SETUP" in combination with the desired option.

This option provides the built-in disc dubbing language options.

9.1.4 DVD Menu

This option provides the film's menu language options.

Follow the operating instructions stated in "DVDMENU SETUP" in combination with the desired option.

9.2 VIDEO SETUP

Select **Video** in the setup menu, and display the **Video** submenu:

Language	Aspect Ratio : 4:3
Video	View Mode : Auto Fit
Audio	TV System : PAL
Rating	Video Out : Component
Misc	

9.2.1 Aspect Ratio

4:3 : Choosing this setting if your DVD player is connected to a normal ratio TV. You can fill the movie to the entire screen of your TV. This might mean that parts of the picture (the left and right edges) won't be seen.

16:9 : Choose this setting if your DVD player is connected to a wide screen TV. If you choose this setting and you don't have a wide screen TV, the images on the screen may appear distorted due to vertical compression.

Notes:

The image display ratio is related to the recorded disc format. Some disc can not display images in the aspect ratio you choose. If you play a disc recorded in 4:3 format on a wide screen TV, black bars will appear on the left and right side of the screen. You must adjust the screen setting depending on the type of the television you have.

9.2.2 View Mode

With this option you can select the different video vision mode on the screen.

9.2.3 TV System

This product supports output of various system, including **AUTO**, **NTSC**, **PAL**.

If your TV set has only **NTSC** or **PAL** system, the screen will blink and become colorless when a wrong system is selected. In this case, press the **N/P** button on the Remote Control to switch the **TV TYPE**.

Note: For more information of output format, refer to the instructions or your TV set.

9.2.4 Video Output

Selecting the Video Output setting to switch between different video outputs

S-VIDEO :Set the video output to interlacing output.

COMPONENT: Set the video output to YUV output.

P-SCAN: If your TV is progressive TV, please select the option. You can get better picture quality.

RGB: Set the video output to SCART output. If you select SCART connection, you should set up the play mode as **RGB** state, then it will output normally.

9.3 Audio setup

Select **Audio** in the setup menu, and display the **Audio** submenu.

Language	Bass Management : Off
Video	Front Speakers : Large
Audio	Center Speaker : None
Rating	Surround Speakers: None
Misc	Subwoofer : None
	Test Tones : Off
	Center Delay : No Delay
	Surr. Delay : No Delay
	Digital Output : PCM
	▼

9.3.1 Bass Management

To enable or disable the Bass Management during operation of the player.

On = Enable the Bass Management.

Off = Disable the Bass Management.

9.3.2 Front Speaker

To adjust the front speakers output to work in harmony with the audio equipment (e.g. receiver, speakers) connected to the player.

When Bass Management is On, the following options are available:

Large : Support signal frequency lower than 200Hz

Small : Support signal frequency higher than 200Hz

If the connected speaker supports signal lower than 200Hz, it is best to select

Large. If not, you shall select **Small**.

9.3.3 Center Speaker

Selection of **Large** or **Small** is same with that of front speaker. The speaker will have no signal output if set to **None**.

Notes:

*If the Subwoofer is **On**, Center is set to **None** or **Small**, and bass from the center channel is redirected to the subwoofer. If the content contains a discrete subwoofer channel, it is also sent to the subwoofer. If the Subwoofer is **Off**, Center is set to **None** or **Small**, and*

bass from the center channel is redirected to the left and right channels. If the content contains a discrete subwoofer channel, it is discarded.

9.3.4 Surround Speaker

Selection of **Large** or **Small** is same with that of front speaker. The speaker will have no signal output if set to **None**.

Notes:

*If the Subwoofer is on, Surround is set to **None** or **Small**, and bass from the surround channels is redirected to the subwoofer. If the content contains a discrete subwoofer channel, it is also sent to the subwoofer.*

*If the Subwoofer is **Off**, Surround is set to **None** or **Small**, and bass from the surround channels is redirected to the left and right channels. If the content contains a discrete subwoofer channel, it is discarded.*

9.3.5 Subwoofer

Selecting to enable/disable the subwoofer output when 6 Channel analog output is used.

The following options are available:

None Subwoofer is off. Bass from center and surround channels is redirected to the left and right channels. If the content contains a discrete subwoofer channel, it is discarded.

Present Subwoofer is on. Bass from center and surround channels is redirected to subwoofer. If the content contains a discrete subwoofer channel , it is also sent to the subwoofer.

Note:

Bass Management is not available for MP3 bitstream ; therefore, it will be disabled during the playback of those streams.

9.3.6 Test Tones

Selecting the **Test Tone** setting allows the user to test the player's audio output on each speaker. When you select channel, a short burst of pink noise will be sent to corresponding channel

9.3.7 Center Delay

Selecting the Center Delay setting allows the user to enable/disable the center output delay.

9.3.8 Surr. Delay

Selecting the **Surr. Delay** setting allows the user to enable/disable the center output delay.

9.3.9 Digital output

Selecting the **Digital Output** setting allows the user to adjust the audio output on S/PDIF ports to work in harmony with the audio equipment (e.g. receiver, speakers) connected to the player.

Off Digital audio output is disabled.

PCM Select this option when you are going to use stereo signals (2 channels). You should combine this option with the option "Lower sampling rate," which we explain further on.

All If you select this option the player will use the DVD's original audio track. Use this option when you want to use the Dolby Digital signals through the optical or coaxial audio output.

9.3.10 Down Sampling

Use the **down sampling** option when you have selected the "PCM" option in the type of digital audio output:

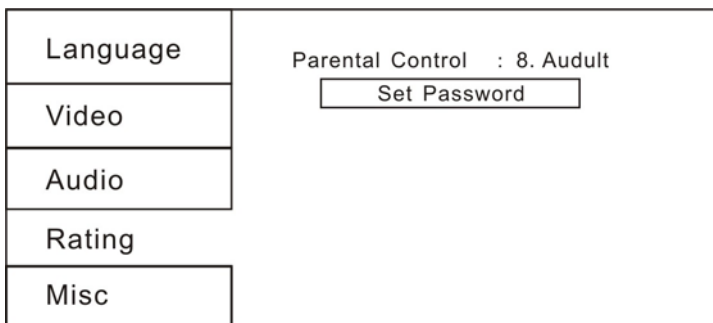
- **ON:** Use this option to lower the audio sampling rate.
- **OFF:** Use this option to deactivate the lowering of the audio sampling rate.

Note: A certain sampling rate is used to record disks (measured in kHz); the higher this sampling rate, the better the sound quality. If you turn it off, make sure that the amplifier that you are using is compatible with 96kHz digital signals.

9.4 RATING SETUP

Select **Rating** in the setup menu, and display the Rating submenu:

Note: Not all DVDs support ratings.



9.4.1 Parental Control

Selecting a Rating allows the user to set the parental control feature of the player. Select **Parental Control**, and press **ENTER** to change the different mode.

Note: Unlock the password before setting **Parental Control**

9.4.2 Set Password

Use the 0-9 keys to input four digits (password), then press **ENTER** to confirm.

Note: If you forget your password, please use the universal password **8888** to unlock.

9.5 MISC SETUP

Select **MISC** in the setup menu, and display the submenu:

Language	<input type="button" value="Use Default Settings"/>
Video	
Audio	
Rating	
Misc	

* Use Default Settings

Reset setup data to factory default and re-load disc

10. Troubleshooting

Please read the user's manual carefully before using the DVD player. If you have any troubles in using this player, try to solve the problems by the suggestions mentioned below. If you can not remove the trouble after using all the suggestions, please contact the company or the technical service center authorized by us. For the sake of your safety, please do not open the cover and repair the player by yourself, if that, it may cause electric shock.

NO PICTURE, SOUND AND INDICATION

- Ensure that the power switch is on.
- Ensure that the wall inlet is ok.
- Ensure that the power cord is not damaged.
- Ensure that the power plug is connected to the inlet tightly.

NO SOUND BUT HAVE PICTURE

- Ensure that the player's audio output has a good connection with TV's audio input.
- Check whether the audio connector is damaged.
- Check whether you have turned down the volume.
- Ensure that you have set the right AUDIO setup of the player.
- Ensure that you have turned your TV to the AV input channel connecting to your player.
- Ensure that the audio is not under mute.

NO PICTURE BUT HAVE SOUND

- Ensure that the player's video output has a good connection with TV's video input.
- Ensure that you have turned your TV to the AV input channel connecting to your player.
- Check whether the video connector is damaged.
- Ensure that you have set the right VIDEO settings of the player.

BLACK AND WHITE PICTURE OR SCREEN ROLLING

- Ensure that you have set the right TV SYSTEM (e.g. PAL, NTSC) setting.

FLAWS OF PICTURE OR SOUND

- Check whether the setting of AUDIO is right.
- Check whether the disc is scratched or stained.
- Check whether the AV connector and the output terminal is stained.

DISPLAY NO DISC

- Ensure that you have put the disc on the tray.
- Check whether the disc is put in the reverse side.
- Check whether the disc is distorted.
- Check whether the disc is stained or scratched badly.

DISPLAY BAD DISC

- Check whether the disc has had bad quality.
- Ensure that the disc is not stained or damaged badly.
- Ensure that the disc format is compatible to the player.
- Ensure that the disc is not deformed.

REMOTE CONTROL IS INSENSITIVE OR DOES NOT WORK

- Check the batteries of remote control and make sure that they are to be powerful and good conductivity.
- Direct the remote control to the IR sensor of the player.
- Check whether there are some obstacles between the remote control and IR sensor.

ABNORMAL FUNCTION OPERATION

- Turn off the power, and then turn on again.

DISC IS LOCKED IN THE TRAY

- The disc can not be taken out of the tray when the player is reading, so you have to turn off the power and turn on again, and press OPEN/CLOSE key immediately to open the tray.

11. Technical specifications

Signal system	PAL/AUTO/NTSC
Frequency Response	20Hz-20KHz (at 1KHz 0 dB)
Signal-to-Noise Ratio(Audio)	≥90 dB (at 1KHz 0 dB)
Audio Distortion + Noise	≤-60dB (at 1KHz0dB)
Audio Output (Analog audio)	2.0 ⁺⁰ -1.0Vrms
Video Output	Composite: 1.0±0.2Vp-p Load impedance: 75Ω, imbalance, negative polarity
Power Supply	~110-242V 50/60Hz
Dimensions	360 (mm) X 260 (mm) X38 (mm)
Supported Disc	DVD/CD/MP3/Picture/Photo CD /MPEG4
Accessories	RCA Audio/Video cables (composite video and L-R audio) Remote Control unit User Manual

REFERENCE:

To protect your DVD player, the interval between two consecutive Power button operations must be above 30 seconds.

No using for a period of time, please pull out the plug from the electronic outlet.

The player should be operated only on condition that the type of power supply corresponds to the marking label. Otherwise, it doesn't work or even be damaged.

The player may not be compatible with some encrypted discs.

If the player stops playback by accident, please power it on again.

Appearance and function is subject to change without notice.

12 . Recycling

This product bears the selective sorting symbol for waste electrical and electronic equipment (WEEE).

This means that this product must be handled pursuant to European Directive 2002/96/EC in order to be recycled or dismantled to minimize its impact on the environment.

For further information, please contact your local or regional authorities.

Electronic products not included in the selective sorting process are potentially dangerous for the environment and human health due to the presence of hazardous substances.



SVERIGE

KUNDTJÄNST Tel: 0247/445 00
Fax: 0247/445 09
E-post: kundtjanst@clasohlson.se

INTERNET www.clasohlson.se

BREV Clas Ohlson AB, 793 85 INSJÖN

NORGE

KUNDESENTER Tlf.: 23 21 40 00
Faks: 23 21 40 80
E-post: kundesenter@clasohlson.no

INTERNETT www.clasohlson.no

POST Clas Ohlson AS, Postboks 485 Sentrum, 0105 OSLO

SUOMI

ASIAKASPALVELU Puh: 020 111 2222
Faksi: 020 111 2221
Sähköposti: info@clasohlson.fi

INTERNET www.clasohlson.fi

OSOITE Clas Ohlson Oy, Yrjönkatu 23 A, 00100 HELSINKI

GREAT BRITAIN

For consumer contact, please visit
www.clasohlson.co.uk and click on
customer service.

INTERNET www.clasohlson.co.uk

CLAS OHLSON

www.clasohlson.com