

38-2522

STEREO CASSETTE RADIO WITH CD/MP3 PLAYER

Stereokassettradio med CD/MP3

Radio med CD/MP3 og kassettpiller, stereo
Cd-/mp3-radionauhuri



Modell/Malli: MC-9814USB

ENGLISH

SVENSKA

NORSK

SUOMI

Ver. 2007-07

CLAS OHLSON

www.clasohlson.com

STEREO CASSETTE RADIO WITH CD/MP3 PLAYER

Article number: 38-2522

Model: MC-9814USB

Please read the entire instruction manual before using and save it for future use. We apologise for any text or photo errors and any changes of technical data. If you have any questions concerning technical problems please contact our Customer Service Department (see address on reverse.)

Important information: Read the instruction manual carefully and make sure that you understand everything before you use the product, save it for future use.

Warnings



Warning! Do not open the casing! Certain components within the product's casing contain dangerous currents. Contact with these may give you an electric shock.

On CD player



CLASS 1 LASER PRODUCT

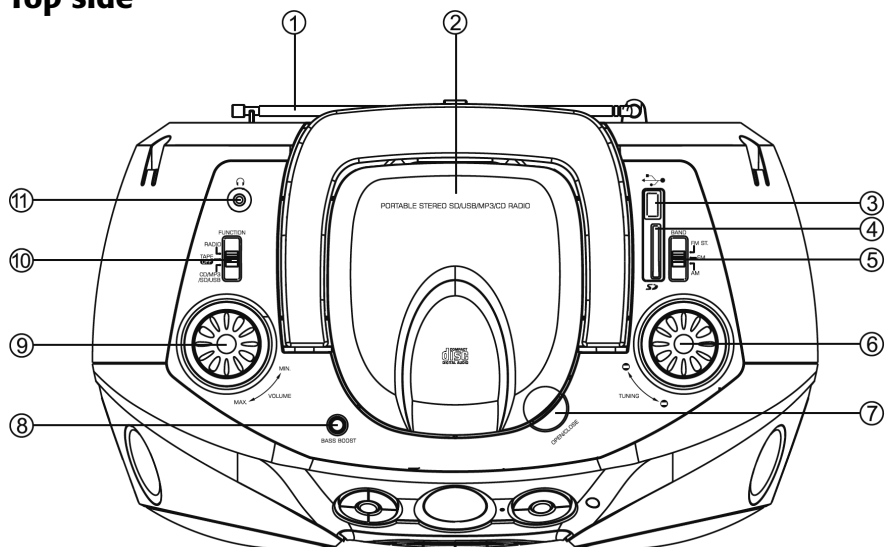
Warning! Do not open the casing! Invisible laser beam can cause eye damage. Avoid exposure to the laser beam. Do not look into the laser beam even with optical instruments.

- The product should only be repaired by qualified service personnel.
- The product should not be taken apart or changed.
- Do not place the product where it could fall into water or another type of liquid.
- Do not place the stereo cassette radio in a damp, dusty environment or where there are strong vibrations.

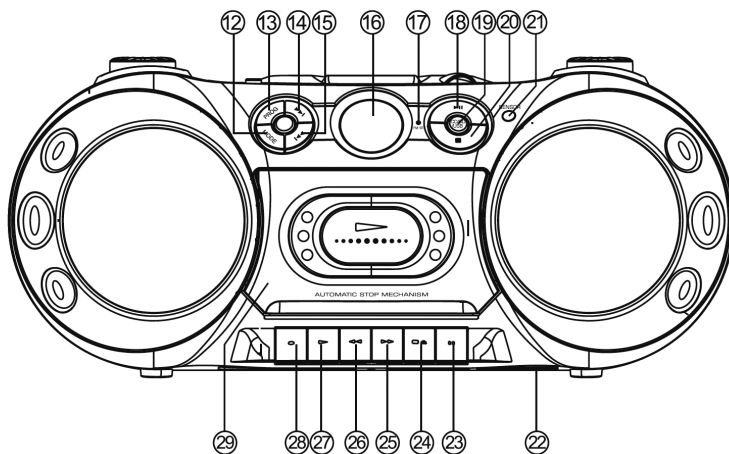
1. Description

- Stereo cassette radio with CD/MP3 player.
- Remote control included.
- Connection for SD memory card or USB memory.
- Operated on 230 V or 8x R14 batteries (not included).

Top side

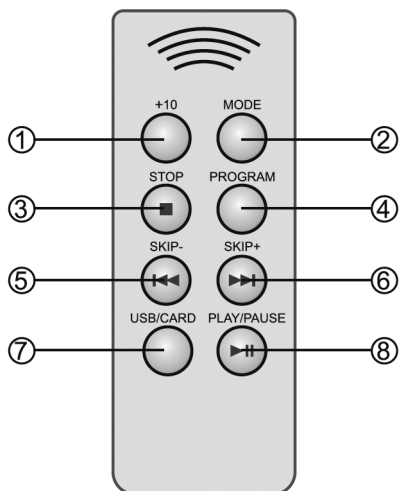


Front



1. Telescopic antenna (for FM reception)
2. CD door
3. Connection for USB memory
4. Connection for SD/MMC memory card
5. FMST/FM/AM wavelength switch: FM Stereo, FM and AM
6. TUNING Station setting
7. OPEN/CLOSE Open/Close the CD door
8. [BASS BOOST] bass amplification
9. [VOLUME] volume control
10. RADIO/TAPE-OFF/CD/MP3/SD/USB Function switch
11. Headset outlet
12. MODE CD functions
13. PROG CD programming
14. [▶▶] Forward to the next CD track, quick search forward.
15. [◀◀] Back to previous CD track, quick search backwards.
16. LCD display
17. FM ST. (FM Stereo indicator)
18. [▶ ||] (Play CD or Pause)
19. CD/SD/USB Select sound source
20. [■] Stop playing the CD
21. SENSOR Sensor for the remote control
22. Battery compartment
23. [||] Pause when playing cassette
24. [■] Stop playing the cassette and open the cassette tape door
25. [▶▶] Fast forwarding
26. [◀◀] Fast rewinding
27. [▶] Start playing a cassette
28. [●] Record button
29. Cassette tape door

1.1 Remote control



1. [+10] Continue to 10
2. MODE Functions
3. [■] Stop
4. PROGRAM Programming
5. [◀◀] Go back to previous track, quick search backwards
6. [▶▶] Forward to the next CD track, quick search forward.
7. USB/CARD Select USB or memory card
8. [▶ ||] Play/Pause

2. Power Supply

Mains connection

Place the network cable plug in the outlet on the backside and connect the plug to a wall socket.

Using with batteries

Insert batteries:

1. Remove the battery cover by pressing in the direction of the arrows.
2. Insert 8x R14 batteries according to the marking on the backside.
3. Put back the battery cover.

Note:

- The network cable should be unplugged from the stereo cassette radio when changing batteries.
- When the network cable is connected the player is not running on batteries.
- Remove bad batteries to avoid damage from leakage.
- Remove the batteries from the player if it is not to be used for a long time.

3. Listen to the radio

1. Set the function control to RADIO position when you want to listen to the radio. The display lights up.
2. Select the frequency with the control (MW, FM, FM ST).
3. Set the desired station with the control TUNING.
4. Both the built-in antenna and the telescopic antenna receive signals, stronger/weaker depending on direction.
FM reception: Extend the telescopic antenna completely and angle it if needed.
AM (Medium wave): Turn the player until the best reception.
5. Adjust the volume with the VOLUME knob.
6. Shut the radio off when you are done listening by setting the control on TAPE/OFF.

Helpful suggestions

- If you listen to FM stereo (FM ST) at a certain station and it is weak or have background sound try to turn the control to FM (mono). It normally gives better reception.
- If the control is on FM ST and you turn it to set a station the indicator lamp FM ST lights up if a station is found and it is in stereo with good reception.

4. Play music

Play music from CD/MP3, SD memory card or USB memory

Select what device to listen from by pressing CD/SD/USB. Selected device is shown on the display (CD-SD-USB). When you have opened desired file the functions for all types of devices are the same. If you only have one type of device the first file will start automatically.

4.1 Insert a CD/MP3

1. Turn the function control to CD/MP3/SD/USB
2. Open the CD door
3. Insert a CD with the label facing up. If you insert the CD with the wrong side up NO DISC is shown in display. CD-single (8 cm) can be played without adaptor.
4. Close the CD door carefully with one hand.

4.2 Remove the CD

1. Make sure that the CD does not play, if it does press [■] (20) to end playing.
2. Open the CD door.
3. Carefully remove the CD and put it in its case.
4. Close the CD door carefully.

Helpful suggestions:

- Never touch the laser line in the CD compartment with your hands. Only clean with a special CD meant for laser line cleaning.

4.3 Listen to the CD

Normal playing

1. Insert a CD to the player. The CD will start spinning and CD is displayed while the CD is being read.
2. Turn the function control to CD/MP3/SD/USB.
3. The playing automatically starts with track 1 after a few seconds when the CD is read. 001 is shown in the display.
4. Adjust volume with [VOLUME] (9).
5. Press PLAY/PAUSE to temporarily stop the playing. Press PLAY/PAUSE to start the playing again.
6. Press [■] (20) to stop the playing.
7. Set the function control to TAPE/OFF to turn the player off.

Note!

- Never push the CD door down during playing. That may cause damage to the CD or CD player.
- Always press STOP before removing the CD from the player.
- If you move or bump into the player during playing it might quieten for a short while and then start up again. That is normal for CD players.

4.4 Skip tracks

1. This function gives you the possibility to find the beginning of a track on the CD during playing. Press [▶▶] (14) once or several times to skip to the next track. Current track will show in the display.
2. Press [◀◀] (15) once or several times to skip to the previous track. Current track will be shown in the display. Press once to return to the beginning of current track.
3. Press and hold [▶▶] or [◀◀] to quick search through the tracks. Let go of the button when you have found the right track.

4.5 BASS BOOST

Press [BASS BOOST] to increase the bass.

4.6 Electronic anti-shake memory (ESP)

The electronic anti-shake memory prevents the sound from disappearing or “skipping” if the player is exposed to small bumps or vibrations.

When the CD starts to play the buffer memory is automatically switched on. The music’s digital data is stored in the forward storage buffer memory before it is decoded and starts to play.

When the player encounters an impact during playing the memory continues to decode and play. This allows time for the pickup to stabilize and continue collecting new data later on.

Note! When the ESP function is activated or shut off the sound quiets down for about 1-2 seconds.

5. Alternative play

Functions the same way for all storage media.

5.1 Repeat a track from CD

1. Press MODE (12) once in stop or play mode. "REP" is shown on the display.
2. Press [▶▶] (14) or [◀◀] (15) to select track for repetition.
3. The selected track will continue to play until you press [■] (20) or press [MODE] (12) several times.

5.2 Repeat all tracks from the CD

1. Press MODE (12) twice in stop or play mode. "REP ALL" is shown on the display.
2. Press [▶▶] (14) or [◀◀] (15) to select a track for repeat play.
3. The selected track will continue to play until you press [■] (20) or press [MODE] (12) several times.

5.3 INTRO (listen to the 10 first seconds of each track)

1. Press MODE (12) three times in stop or play mode.
2. INTRO is shown on display, press [▶ II] (18) to start play with track 1.
3. The selected tracks will continue to play until you press [■] (20) or press [MODE] (12) several times.

5.4 Random (random play)

All tracks will play in random order.

1. Press MODE (12) four times in stop or play mode.
2. RAND is shown on display, press [▶ II] (18) to start play of all tracks in random order.
3. Play will continue until you press [■] (20) or press [MODE] (12) several times.

5.5 Programmed playback

Up to 20 tracks can be programmed for playback in selected order. Programming can only be done when the player is in stop mode.

1. Press [■] (20) to go to stop mode.
2. Press [PROG] (13), the display will show PROG and program number P01
3. Press [▶▶] (14) or [◀◀] (15) to select the first track.
4. Press PROG to save the first track, program number P02 will show on display and the player awaits your next selection of track.
5. Repeat step 3 and 4 until all selected tracks (max 20) are saved in the memory.
6. Press [▶ ||] (18) when the programming is done.
7. First selected track will start playing
8. All tracks will play in programmed order.
9. Press [■] (20) twice to stop playing and to erase the programming.

NOTE! The memory for programmed tracks will be erased:

- If you open the CD door.
- If you switch function control from TAPE or RADIO mode.
- If the power to the player is shut off.

6. The Stereo Cassette Player's function

[||] (23) Pause

Press [||] to pause the cassette playing.

[■] (24) Stop

Press [■] to stop the play back or other on-going function. Or to open the cassette door in stop mode.

[▶▶] (25) Fast forward

Press down to fast forward the tape, press [■] to stop the fast forwarding.

[◀◀] (26) Quick rewind

Press down to quickly rewind the tape, press [■] to stop rewinding.

[▶] (27) Play back,

Press down the button to start play back from the cassette.

[●] (28) Recording

Press down both [●] and [▶] to record from CD, radio, memory card or USB memory.

Note! If the cassette is protected against recording the buttons will not be able to press down. See the Erase protection of recording.

Automatic tape stop: The cassette player has a built-in tape stop and shuts off automatically when the tape ends.

7. How to use the cassette tape player

1. Open the cassette door by pressing [■].
2. Place the cassette inside the cassette holder.
3. Close the cassette door.
4. Set the function control on TAPE/OFF.
5. Press [▶] to start playing.
6. Adjusting the volume.
7. Press [■] to stop play. Press once more to open the cassette door.

NOTE! When the tape ends while playing the [▶] button goes up and the playing stops.

If you want to play the other side of the tape: Remove the cassette and turn it, place it and close the cassette door and press [▶].

8. Take care of your cassette tapes

- The tape might tangle up or get deformed if it is not stretched between the tape spools. If the tape is loose it needs to be tightened before use. Use a pencil or similar to wind up the tape according to the picture.
- If the tape is heavy or makes strange noises it can be fixed by fast forwarding the tape.
- Avoid using C120 tapes in the player since they have a thinner tape strip which may tangle.

8.1 Protect recording against erasing

The tapes are equipped with erase protection. With small tags on the backside that you remove with a screwdriver or similar. If you want to erase earlier recording and the tag is missing you can put a piece of tape over the hole.

8.2 Erase cassette tape

1. Set the function control to TAPE.
2. Press RECORD until it locks in pressed down position (play is affected at the same time) to start the recording. The new recording starts and the old recording will be erased at the same time. Note that the surrounding should be quiet. Possible sounds will be recorded via the built-in microphone.

9. Recording

9.1 Record from the built-in radio

1. Set the function control (10) to RADIO and set the desired channel.
2. Place a cassette tape in the cassette door.
3. Press [●] (28) and [▶] (27) until they lock in pressed down position to start the recording. Press PAUSE [⏏] (23) if you do not want to start the recording at once. Press [⏏] again when you want to start the recording.
4. Press [■] (24) to stop the recording otherwise the recording will end when the tape ends.
5. Press [◀] (26) to rewind to the beginning of the recording. Press [■] (24) and then [▶] (27) to listen to the recording, adjust the volume.

NOTE! The beginning and end of the tape is equipped with start tape that is not recordable. If you want to make sure that the recording starts without interruption you should forward the tape for a few seconds before starting the recording.

9.2 Record from CD

1. Place a cassette tape in the cassette door.
2. Set the function control (10) to [CD/MP3/SD/USB] and press [CD/SD/USB] (19), select and start playing.
3. Press [●] (28) and [▶] (27) until they lock in pressed down position to start the recording. Press PAUSE [⏏] (23) if you do not want to start the recording at once. Press [⏏] again when you want to start the recording.
4. Press [■] (24) to stop the recording otherwise the recording will end when the tape ends.
5. Press [◀] (26) to rewind to the beginning of the recording. Press [■] (24) and then [▶] (27) to listen to the recording, adjust the volume.

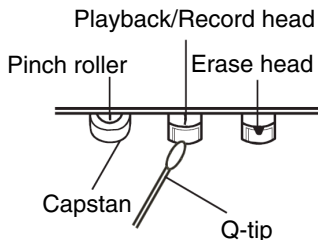
9.3 Record from USB memory (USB or memory card (SD))

1. Place a cassette tape in the cassette door.
2. Set the function control (10) to [CD/MP3/SD/USB] and press [CD/SD/USB] (19), select USB or SD and start playing.
3. Press [●] (28) and [▶] (27) until they lock in pressed down position to start the recording. Press PAUSE [⏏] (23) if you do not want to start the recording at once. Press [⏏] again when you want to start the recording.
4. Press [■] (24) to stop the recording otherwise the recording will end when the tape ends.
5. Press [◀] (26) to rewind to the beginning of the recording. Press [■] (24) and then [▶] (27) to listen to the recording, adjust the volume.

10. Care and maintenance of player

Clean the Open the cassette door and use a cleaning cotton swab with rubbing alcohol or special cleaning solution for the audio head.

NOTE! Do not use metal tools when cleaning. Do not put in a tape before the details are completely dry.

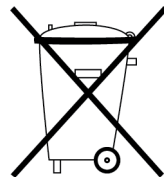


11. Headphones

Connect headphones (not included) to the outlet (11). The speakers will mute automatically when you connect the headphones.

12. Protect the environment

Sort your waste and recycle products instead of throwing them away. All home electronics and packing material should be sorted and handled according to local environmental ordinances.



13. Technical data

Size: 390 x 230 x 165 mm

Power: 230 VAC, 50 Hz

Battery type: 8x R14 batteries

Radio:

Frequency range: AM: 522 – 1,710 KHz

FM 87.5 – 108 MHz

CD player: Semiconductor laser

Decoding: 16 bites linear

Connection for SD memory card or USB memory

Headphone outlet: Ø 3.5 mm stereo plug, 8 – 32 Ohm

STEREOKASSETTRADIO MED CD/MP3

Artikelnummer: 38-2522

Modell: MC-9814USB

Läs igenom hela bruksanvisningen före användning och spara den sedan för framtida bruk.

Vi reserverar oss för ev. text- och bildfel samt ändringar av tekniska data.

Vid tekniska problem eller andra frågor, kontakta vår kundtjänst (se adressuppgifter på baksidan).

Viktig information: Läs bruksanvisningen noggrant och försäkra dig om att du förstår den innan du använder utrustningen och spara den för framtida bruk.

Säkerhet

Lägg märke till dessa säkerhetssymboler



Varning! Öppna inte höljet! Farlig spänning finns oskyddat på komponenter inuti produktens hölje, kontakt med dessa kan leda till brand eller ge elektriska stötar.

Vid CD-spelare



KLASS 1 LASERAPPARAT

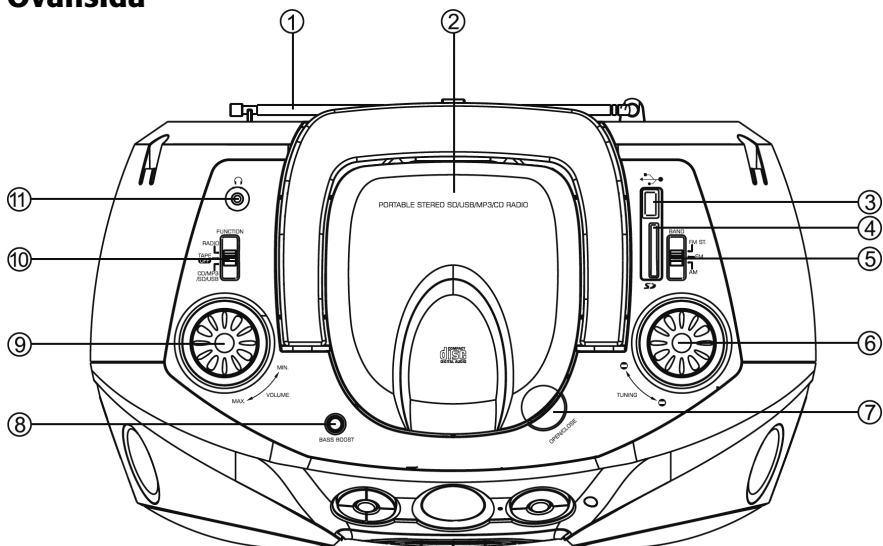
Varning! Öppna inte höljet! Osynlig laserstrålning som kan orsaka ögonskador. Rikta inte blicken in mot strålen och titta inte direkt på den genom optiska instrument.

- Produkten får endast repareras av kvalificerad servicepersonal.
- Produkten får inte demonteras eller ändras.
- Placera inte produkten så att den kan falla ner i vatten eller annan vätska. Ställ inte några föremål som innehåller vätska på produkten t.ex. en blomvas eller läskedryck.
- Placera inte stereokassettradien i fuktig, dammig miljö eller på platser där det förekommer starka vibrationer.

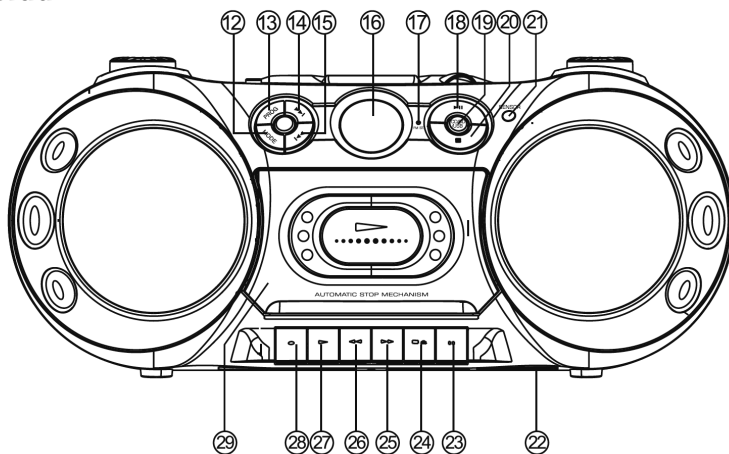
1. Beskrivning

- Stereokassettradio med CD/MP3-spelare.
- Fjärrkontroll ingår.
- Anslutning för SD-minneskort och USB-minne.
- Drivs med 230 V. eller 8 st. R14-batterier (medföljer ej).

Ovansida

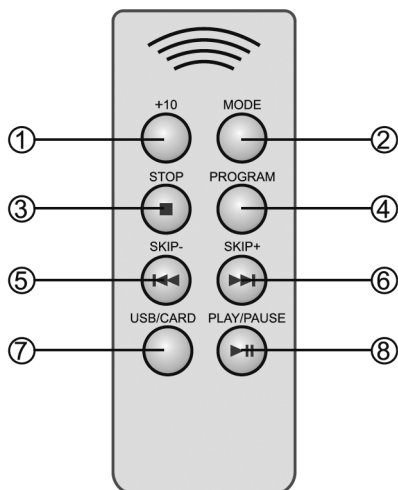


Framsida



1. Teleskopantenn (för FM mottagning)
2. CD-lucka
3. Anslutning för USB-minne
4. Anslutning för SD/MMC minneskort
5. [FMST/FM/AM] Våglängdsomkopplare: FM Stereo, FM och AM
6. [TUNING] Stationsinställning
7. [OPEN/CLOSE] Öppna/stäng CD-luckan
8. [BASS BOOST] Bashöjning
9. [VOLUME] Volymkontroll
10. [RADIO/TAPE-OFF/CD/MP3/SD/USB] Funktionsreglage
11. Hörlursjack
12. [MODE] CD-funktioner
13. [PROG] CD-programmering
14. [▶▶] Stega till nästa CD-spår, snabbsökning framåt.
15. [◀◀] Stega till föregående CD-spår, snabbsökning bakåt.
16. LCD Display
17. FM ST. (Indikator för FM-stereo)
18. [▶ II] (CD-avspelning eller paus)
19. [CD/SD/USB] Välj ljudkälla
20. [■] Stoppa cd-avspelning
21. SENSOR Sensor till fjärrkontroll
22. Batterifack
23. [II] Paus vid kassettaavspelning
24. [■] Stoppa kassettaavspelning och öppna kassettluckan
25. [▶▶] Snabbspolning framåt
26. [◀◀] Snabbspolning bakåt
27. [▶] börja uppspelning av kassett
28. [●] Inspelningsknapp
29. Kassettlucka

1.1 Fjärrkontroll



1. [+10] Stega fram 10
2. [MODE] Funktioner
3. [■] Stopp
4. [PROGRAM] Programering
5. [◀◀] Stega till föregående spår, snabb-sökning bakåt
6. [▶▶] Stega till nästa Cd-spår, snabbsökning framåt.
7. [USB/CARD] Välj USB eller minneskort
8. [▶ ||] Play/Paus

2. Strömförsörjning

Nätanslutning

Sätt in nätkabelns anslutningspropp i uttaget på baksidan och anslut stickproppen till ett eluttag.

Användning med batterier

Sätt i batterier:

1. Ta bort batteriluckan genom att trycka i pilens riktning.
2. Sätt i 8 st R14 batterier enligt märkning på baksidan.
3. Sätt tillbaka batteriluckan.

Tänk på att:

- Nätkabeln ska vara urdragen ur stereokassetradion vid batteridrift.
- När nätkabeln är ansluten går inte spelaren på batteridrift.
- Ta ur dåliga batterier för att undvika skador av läckande batterier.
- Ta ur batterierna om inte spelaren ska användas på en tid.

3. Lyssna på radio

1. Ställ funktionsreglaget (10) i läge RADIO när du vill lyssna på radion, displayen (16) lyser.
2. Välj frekvensband med reglaget (MW, FM, FM ST).
3. Ställ in önskad station med ratten TUNING.
4. Både den inbyggda mellanvågsantennen och teleskopantennen tar emot signaler starkare/svagare beroende på riktning.
FM-mottagning: Dra ut hela teleskopantennen och vinkla den vid behov.
AM (Mellanvåg): Vrid spelaren till bästa mottagning hörs.
5. Justera volymen med ratten VOLUME.
6. Stäng av radion när du lyssnat färdigt genom att ställa funktionsreglaget (10) på TAPE/OFF.

Tänk på detta:

- Om du lyssnar på FM stereo (FM ST) på en speciell station och den är svag eller har mycket bakgrundsljud, försök då att föra funktionsreglaget till "FM" (mono), det brukar ge bättre mottagning.
- Om du har funktionsreglaget på FM ST och vrider på ratten för att ställa in en station, börjar indikatorlampan "FM ST" att lysa om en station hittas som sänder i stereo och du har bra mottagning.

4. Avspelning

Spela upp musik från CD/MP3-skiva, SD minneskort eller USB-minne.

Välj vilket lagringsmedium som du vill lyssna på genom att trycka på [CD/SD/USB] (19), valt medium visas på displayen (Cd – Sd –Usb), när du har öppnat önskad fil är funktionen lika för alla typer av lagringsmedium. Har du bara en typ av lagringsmedium startar den första filen automatiskt.

4.1 Lägg i en CD/MP3-skiva

1. För funktionsreglaget (10) till CD/MP3/SD/USB.
2. Öppna CD-luckan.
3. Sätt i en CD-skiva med etikettsidan uppåt (om du vänder skivan åt fel håll visas "NO DISC" på displayen.) CD-singel (8 cm) går bra att använda utan adapter.
4. Stäng CD-luckan försiktigt med en hand.

4.2 Ta ur CD-skivan

1. Se till att inte CD-skivan spelas, om den gör det tryck på [■] (20) för att avsluta avspelningen.
2. Öppna CD-luckan.
3. Ta försiktigt ur CD-skivan och lägg in den i fodralet.
4. Stäng CD-luckan försiktigt.

Tänk på detta:

- Vidrör aldrig laserlinsen i CD-facket med händerna, rengör den endast med en speciell CD-skiva som är avsedd för att rengöra laserlinsen.

4.3 Lyssna på CD-skiva

Normal avspelning

1. Lägg i en CD-skiva i spelaren. Skivan börjar snurra och "Cd" visas på displayen under tiden som skivan läses in.
2. Ställ funktionsreglaget (10) på läge CD/MP3/SD/USB.
3. Avspelningen startar automatiskt med spår 1 efter några sekunder när skivan är inläst, 001 visas på displayen.
4. Justera volymen med [VOLUME] (9).
5. Tryck på [PLAY/PAUSE] (18) för att tillfälligt stoppa avspelningen. Tryck på [PLAY/PAUSE] för att starta avspelningen igen.
6. Tryck på [■] (20) för att avbryta avspelningen.
7. Ställ funktionsreglaget (10) på läge TAPE/OFF för att stänga av spelaren.

Tänk på detta!

- Tryck aldrig ner cd-luckan under avspelning, det kan skada cd-skivan eller cd-spelaren.
- Tryck alltid på "STOP" innan CD-skivan tas ur spelaren.
- Om du flyttar eller stöter till spelaren under uppspelning kan den tystna under en kort stund och sedan starta igen. Det är normalt för CD-spelare.

4.4 Hoppa över spår

1. Den här funktionen ger dig möjlighet att hitta början på ett spår på cd-skivan under avspelning: Tryck på [▶▶] (14) en eller flera gånger för att stega till nästa spår, aktuellt CD-spår visas på displayen.
2. Tryck på [◀◀] (15) två eller flera gånger i snabb takt för att stega till föregående spår, aktuellt cd-spår visas på displayen. Tryck på en gång för att gå till början på aktuellt spår.
3. Tryck och håll in knappen [▶▶] eller [◀◀] för att snabbsoka genom spåren, släpp knappen när du har hittat rätt ställe.

4.5 BASS BOOST

Tryck på [BASS BOOST] för att öka basåtergivningen.

4.6 Elektroniskt antiskakminne (ESP)

Det elektroniska antiskakminnet förhindrar att ljudet försvinner eller "hoppas" om spelaren utsätts för mindre stötar eller vibrationer.

När CD-skivan börjar spela kopplas buffertminnet in automatiskt. Musikens digitala data lagras i en framåtlagrad minnesbuffert innan den är avkodad och börjar spelas.

När spelaren råkar ut för en skakning av något slag under spelningen så fortsätter minnesinnehållet att avkodas och spelas. På så sätt får pickupen tid på sig att stabiliseras och fortsätta med att läsa in nya data senare.

Obs! När ESP-funktionen aktiveras eller stängs av tystnar ljudet i 1 – 2 sekunder.

5. Alternativ avspelning

Fungerar på samma sätt för alla lagringsmedium.

5.1 Repetera ett spår på CD

1. Tryck en gång på [MODE] (12) i stopp- eller uppspelningsläge. "REP 1" visas på displayen.
2. Tryck på [▶] (14) eller [◀] (15) för att välja det spår som ska repeteras.
3. Det valda spåret fortsätter att spelas till du trycker på [■] (20) eller trycker flera gånger på [MODE] (12).

5.2 Repetera alla spår på CD

1. Tryck två gånger på [MODE] (12) i stopp- eller uppspelningsläge. "REP ALL" visas på displayen
2. Tryck på [▶] (14) eller [◀] (15) för att välja det spår som ska repeteras.
3. Det valda spåret fortsätter att spelas till du trycker på [■] (20) eller trycker flera gånger på [MODE] (12).

5.3 INTRO (lyssna till de 10 första sekunderna på varje spår)

1. Tryck tre gånger på [MODE] (12) i stopp- eller uppspelningsläge, vid avspelning av CD-skiva.
2. "INTRO" visas på displayen, tryck på [▶ II] (18) för att starta uppspelningen med spår 1.
3. De valda spåren fortsätter att spelas till du trycker på [■] (20) eller trycker flera gånger på [MODE] (12).

5.4 Random (slumpvis avspelning)

Alla spår spelas i slumpvis ordning

1. Tryck fyra gånger på [MODE] (12) i stopp- eller uppspelningsläge, vid avspelning.
2. "RAND" visas på displayen, tryck på [▶ II] (18) för att starta uppspelningen av alla spår i slumpvis ordning.
3. Uppspelningen fortsätter att spelas till du trycker på [■] (20) eller trycker flera gånger på [MODE] (12).

5.5 Programmerad avspelning

Upp till 20 spår kan programmeras för avspelning i vald ordning. Programmering kan endast göras när spelaren är i stoppläge.

1. Tryck på [■] (20) för att gå till stoppläge.
2. Tryck på [PROG] (13), displayen kommer att visa "PROG" och programnummer "P01".
3. Tryck på [▶▶] (14) eller [◀◀] (15) för att välja första spåret
4. Tryck på [PROG] för att spara det första spåret, programnummer "P02" visas och spelaren väntar ditt val av nästa spår.
5. Repetera steg 3 och 4 till alla önskade spår (max 20) är lagrade i minnet.
6. Tryck på [▶ ||] (18) när programmeringen är klar.
7. Uppspelningen av det först valda spåret börjar
8. Alla spåren kommer att avspelas i den ordning som du har programmerat.
9. Tryck på [■] (20) två gånger för att avsluta uppspelningen och radera programmeringen.

OBS! Minnet för de programmerade spåren kommer att raderas:

- Om du öppnar CD-luckan.
- Om du för funktionsreglaget till "TAPE" eller "RADIO" läge.
- Om strömmen till spelaren stängs av.

6. Kassettbandspelarens funktion

[||] (23) Paus

Tryck på [||] för att göra paus vid kassettavspelning.

[■] (24) Stopp

Tryck på [■] för att avsluta avspelning eller annan pågående funktion och för att öppna kassettluckan i stoppläge.

[▶▶] (25) Snabbspola framåt

Tryck ner för att snabbspola bandet framåt, tryck på [■] för att avsluta snabbspolningen.

[◀◀] (26) Snabbspola bakåt

Tryck ner för att snabbspola bandet bakåt, tryck på [■] för att avsluta snabbspolningen.

[▶] (27) Avspelning

Tryck ner knappen för att starta avspelning från kassett.

[●] (28) Inspelning

Tryck ner både [●] och [▶] för att spela in från cd-skiva, radio, minneskort eller USB-minne.

OBS! Om kassetten inspelningsskyddad går det inte att trycka ner knapparna; se "Skydda inspelning från att raderas".

Automatiskt bandstopp: Kassettbandspelaren har inbyggt bandstopp och stängs automatiskt av vid bandslutet.

7. Så här använder du kassettbandspelaren

1. Öppna kassettluckan genom att trycka på [■].
2. Sätt in kassetten i kassettluckans styrningar.
3. Stäng kassettluckan.
4. Ställ funktionsreglaget på "TAPE/OFF".
5. Tryck på [▶] för att starta avspelningen.
6. Justera volymen.
7. Tryck på [■] för att stoppa avspelningen, tryck en gång till för att öppna kassettluckan.

OBS! När bandet tar slut vid avspelning åker [▶] -knappen upp och avspelningen stoppas.

Om du vill spela andra sidan av bandet: Ta ur kassetten och vänd den, sätt i den, stäng kassettluckan och tryck på [▶].

8. Vårda dina kassettband

- Bandet kan trassla eller bli deformerat om det inte är sträckt mellan kassetternas spolar. Om bandet ligger i lös slinga bör det sträckas innan användning, ta en penna eller liknande till hjälp och spola upp bandet enligt bilden.
- Om bandet går tungt eller låter konstigt kan det avhjälpas genom att snabbspola bandet åt båda hållen.
- Undvik att använda C120 kassetter i bandspelaren, dessa har tunnare bandremsa och det finns risk att de kan trassla.

8.1 Skydda inspelning mot radering

Kassetterna är försedda med raderingsskydd i form av små flikar på baksidan, peta bort en flik med en mejsel eller liknande. Om bandet hålls lika som vid avspelning styr den högra fliken inspelningen för den sidan som spelas.

Om du vill radera tidigare inspelning och fliken är borta kan du sätta en tejpbitt över hålet.

8.2 Radera kassettband

1. För funktionsreglaget till "TAPE".
2. Tryck på "RECORD" tills den låser i nedtryckt läge (play påverkas samtidigt) för att starta inspelningen, ny inspelning börjar och därmed raderas den tidigare inspelningen (tänk på att omgivningen ska vara tyst, eventuella ljud spelas in via den inbyggda mikrofonen).

9. Inspelning

9.1 Spela in från den inbyggda radion

1. Ställ funktionsknappen (10) på RADIO och ställ in önskad kanal.
2. Sätt in en kassett i kassettluckan.
3. Tryck på [●] (28) och [▶] (27) tills de låser i nedtryckt läge för att starta inspelningen. Tryck på Paus [||] (23) om du inte vill starta inspelningen direkt, tryck igen på [||] när du vill starta inspelningen.
4. Tryck på [■] (24) för att avbryta inspelningen, annars avbryts inspelningen när bandet tar slut.
5. Tryck på [◀◀] (26) för att snabbspola bakåt till inspelningens startpunkt, tryck där på [■] (24) och sedan [▶] (27) för att lyssna till inspelningen, justera volymer.

OBS! Början och slut på bandet är försett med starttejp som inte är inspelningsbar, om du vill vara säker på att inspelningen börjar direkt utan uppehåll bör du spola fram några sekunder av bandet innan du påbörjar inspelningen.

9.2 Spela in från CD-skiva

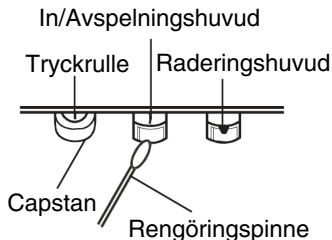
1. Sätt in en kassett i kassettluckan.
2. Ställ funktionsknappen (10) på [CD/MP3/SD/USB] tryck på [CD/SD/USB] (19), välj CD och starta uppspelningen.
3. Tryck på [●] (28) och [▶] (27) tills de låser i nedtryckt läge för att starta inspelningen. Tryck på Paus [||] (23) om du inte vill starta inspelningen direkt, tryck igen på [||] när du vill starta inspelningen.
4. Tryck på [■] (24) för att avbryta inspelningen, annars avbryts inspelningen när bandet tar slut.
5. Tryck på [◀◀] (26) för att snabbspola bakåt till inspelningens startpunkt, tryck där på [■] (24) och sedan [▶] (27) för att lyssna till inspelningen, justera volymer.

9.3 Spela in från USB-minne (Usb) eller minneskort (Sd)

1. Sätt in en kassett i kassettluckan.
2. Ställ funktionsknappen (10) på [CD/MP3/SD/USB] tryck på [CD/SD/USB] (19), välj "USB" eller "Sd" och starta uppspelningen.
3. Tryck på [●] (28) och [▶] (27) tills de låser i nedtryckt läge för att starta inspelningen. Tryck på Paus [||] (23) om du inte vill starta inspelningen direkt, tryck igen på [||] när du vill starta inspelningen.
4. Tryck på [■] (24) för att avbryta inspelningen, annars avbryts inspelningen när bandet tar slut.
5. Tryck på [◀◀] (26) för att snabbspola bakåt till inspelningens startpunkt, tryck där på [■] (24) och sedan [▶] (27) för att lyssna till inspelningen, justera volymer.

10. Vård och skötsel av spelaren

Rengör tryckrullen, capstanaxel, raderingshuvud och in/avspelningshuvud om ljudet har blivit dåligt eller om bandet trasslar sig när du använder kassettband. Öppna kassettluckan och använd en rengöringspinne med bomullstoppar doppad i alkohol eller speciell rengöringsvätska för tonhuvud.



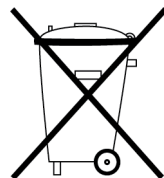
OBS! Använd inte metallverktyg vid rengöringen. Sätt inte in en kassett innan detaljerna är helt torra.

11. Hörlurar

Anslut hörlurar (medföljer ej) till uttaget (11). Högtalarna tystnar automatiskt när du ansluter hörlurarna.

12. Skydda miljön

Sortera ditt avfall och låt det gå till återvinning istället för att kasta det. All hemelektronik och förpackningsmaterial ska sorteras och hanteras enligt lokala miljöförfordningar.



13. Tekniska data

Storlek: 390 x 230 x 165 mm
 Drivspänning: 230 VAC, 50 Hz
 Batteridrift: 8 x R14 batterier

Radio:
 Frekvensområde: AM: 522 – 1710 KHz
 FM: 87,5 – 108 MHz

CD-spelare: Halvledarlasar
 Avkodning: 16 bitars linjär

Anslutning för SD minneskort och USB-minne

Anslutning för hörlurar: Ø 3,5 mm stereoplugg, 8 – 32 Ohm

RADIO MED CD/MP3 OG KASSETTSPILLER, STEREO

Artikkelnummer: 38-2522

Modell: MC-9814USB

Les nøye igjennom hele bruksanvisningen og ta vare på den til senere bruk. Vi reserverer oss mot ev. tekst- og bildefeil, samt forandringer av tekniske data. Ved tekniske problemer eller andre spørsmål, ta kontakt med vårt kundesenter (se opplysninger på baksiden).

Viktig informasjon: Les bruksanvisningen nøye, og forsikre deg om at du forstår den før du bruker utstyret. Spar den til senere bruk.

Sikkerhet

Legg merke til disse sikkerhetssymbolene



Advarsel! Åpne ikke dekselet. Farlig spenning ligger ubeskyttet på komponenter inne i produktets deksel, kontakt med disse kan føre til brann eller gi elektriske støt.

Ved DVD-spiller



KLASSE 1 LASERAPPARAT

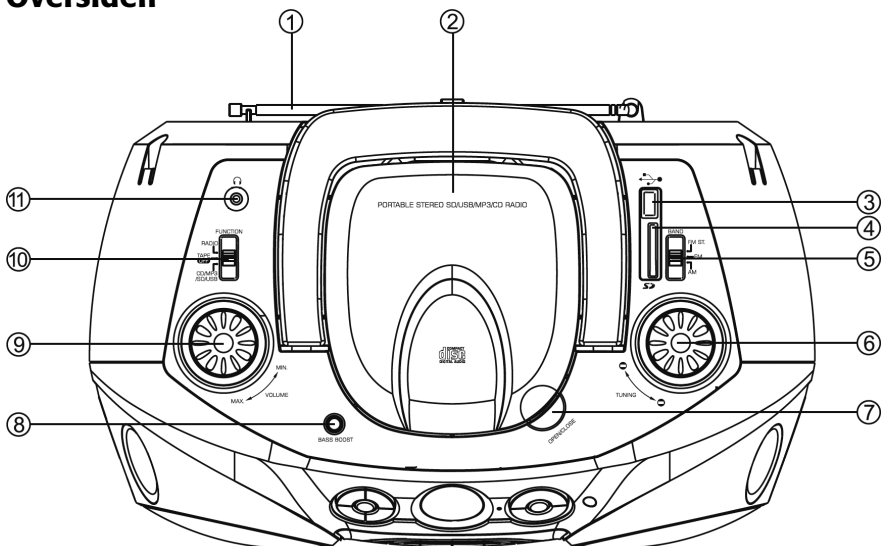
Advarsel! Åpne ikke dekselet. Usynlig laserstråling som kan forårsake øyeskader. Rett ikke blikket mot strålen, og se ikke rett på den gjennom optiske instrumenter.

- Produktet må kun repareres av kvalifisert servicepersonell.
- Produktet må ikke demonteres eller endres.
- Plasser ikke produktet slik at det kan falle ned i vann eller annen væske. Still aldri produktet i nærheten av gjenstander som kan forårsake at vann eller annen væske skylles over produktet.
- Plasser ikke radioen i et fuktig, støvete miljø, eller der det forekommer sterke vibrasjoner.

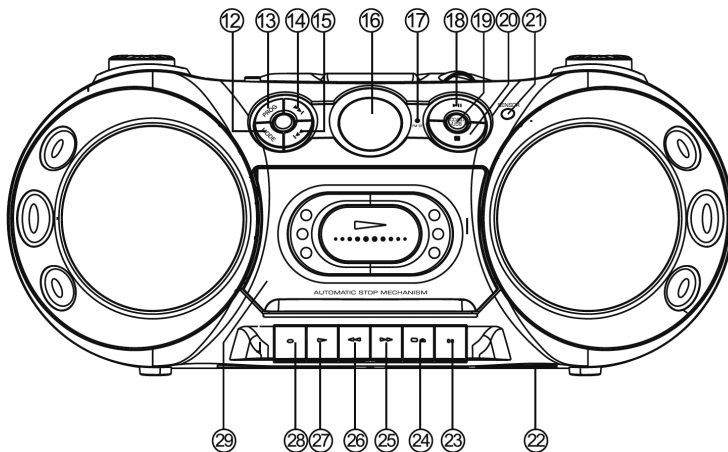
1. Beskrivelse

- Musikkannlegg med CD/MP3-spiller
- Fjernkontroll følger med.
- Tilkoblingskontakt for SD-minnekort og USB-minne.
- Drives med 230 V eller 8 stk. R14-batterier (medfølger ikke).

Oversiden

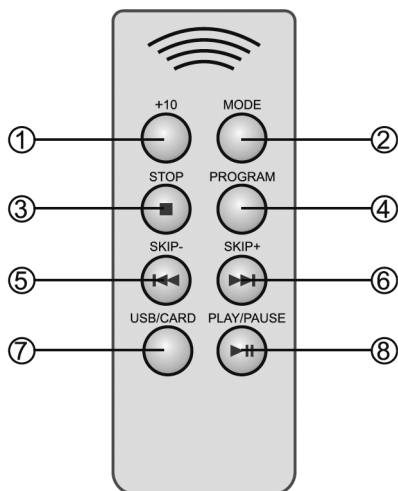


Forsiden



1. Teleskopantenne (for FM-mottaking)
2. CD-luke
3. Tilkoblingspunkt for USB-minne
4. Tilkoblingspunkt for minnekort (SD/MMC).
5. [FM ST/FM/AM] Bølgelengdeomkobler: FM Stereo, FM og AM
6. [TUNING] Radiostasjonsinnstilling
7. [OPEN/CLOSE] Åpne/stenge CD-luken
8. [BASS BOOST] Bassforsterkning
9. [VOLUME] Volumkontroll
10. [RADIO/TAPE-OFF/CD/MP3/SD/USB] Funksjonsbryter
11. Hodetelefonuttak
12. [MODE] CD-funksjoner
13. [PROG] CD-programmering
14. [▶▶] Gå til neste CD-spor, hurtigsøking framover.
15. [◀◀] Gå til foregående CD-spor, hurtigsøking bakover.
16. LCD-display
17. FM ST. (Indikator for FM-stereo)
18. [▶ II] (CD-avspilling eller pause)
19. [CD/SD/USB] Velg lydkilde
20. [■] Stoppe spilling av CD
21. SENSOR Sensor til fjernkontroll
22. Batteriholder
23. [II] Pause i spilling av kassett
24. [■] Stopp spilling av kassett og åpne kassettløkket
25. [▶▶] Hurtigspoling framover
26. [◀◀] Hurtigspoling bakover
27. [▶] Starte spilling av kassett
28. [●] Innspillingsknapp
29. Kassettløkk

1.1 Fjernkontroll



1. [+10] Gå 10 framover
2. [MODE] Funksjoner
3. [■] Stopp
4. [PROGRAM] Programmering
5. [◀◀] Gå til foregående spor, hurtigsøking bakover.
6. [▶▶] Gå til neste CD-spor, hurtigsøking framover.
7. [USB/CARD] Velg USB eller minnekort
8. [▶ ||] Play/Pause

2. Strømforsyning

Strømtilkobling

Plugg strømkabelen i uttaket på baksiden og plasser stikkontakten i et strømuttak.

Ved bruk med batterier som strømkilde

Sett i batteriene:

1. Fjern batterilokket ved å trykke i pilens retning.
2. Sett i 8 stk. R14 batterier. Plasseres som merkingen viser.
3. Sett på batterilokket igjen.

Husk:

- Strømtilkoblinger skal være koblet fra ved skifte av batterier.
- Når strømkabelen er koblet til går ikke spilleren på batteridrift.
- Ta ut dårlige batterier for å unngå skader p.g.a. lekkasje fra batteriene.
- Ta ut batteriene dersom spilleren ikke skal brukes på en stund.

3. Høre på radio

1. Still inn funksjonsvelgeren på RADIO når du vil høre på radioen, displayet lyser.
2. Velg bølgelengde med velgeren (AM, FM, FM ST).
3. Still inn ønsket stasjon med rattet TUNING.
4. Både den innebygde mellombølgeantennen og den uttrekkbare teleskopantennen tar imot signaler sterkere/svakere avhengig av retning.
FM mottaking: Dra ut hele antennen og vinkle den etter behov.
AM (Mellombølge): Vri spilleren til du finner den beste mottakingen.
5. Juster volumet med VOLUME.
6. Skru av radioen når du ikke vil høre mer ved å stille funksjonsvelgeren på TAPE/OFF.

Tenk på dette:

- Dersom du hører på FM stereo (FM ST) på en spesiell stasjon og den er svak, eller har mye bakgrunnslyd, prøv da å føre funksjonsvelgeren til "FM" (mono), det gir vanligvis bedre mottaksforhold.
- Dersom du har funksjonsvelgeren på FM ST og vrir på rattet for å stille inn en stasjon, begynner indikatorlampen FM ST å lyse dersom en stasjon finnes som sender i stereo og du har bra mottaksforhold.

4. Spille musikk

Spille musikk fra CD/MP3-plate, SD minnekort eller USB-minne

Velg hvilket lagringsmedium som du vil høre på ved å trykke på [CD/SD/USB]. Valgt medium vil da komme opp på displayet (CD, SD eller USB). Når du har åpnet ønsket fil er funksjonene like for alle typer av lagringsmedium. Hvis du kun har en type lagringsmedium, kan du starte den første filen automatisk.

4.1 Legg i en MP3/CD-plate

1. Før funksjonsvelgeren (10) til MP3/CD/SD/USB.
2. Åpne CD-luken.
3. Legg en CD-plate med etikettsiden opp (hvis du legger platen feil vei, vises "NO DISC" i displayet) CD-singel (8 cm) kan brukes uten adapter.
4. Lukk CD-luken forsiktig med en hånd.

4.2 Ta ut CD-platen

1. Påse at ikke CD-platen spilles. Hvis den gjør det trykk på [■] for å avslutte spillingen.
2. Åpne CD-luken.
3. Ta forsiktig ut CD-platen og legg den i futteralet.
4. Lukk CD-luken forsiktig.

Tenk på dette:

- Berør aldri laserlinsen i CD-spillere med hendene, rengjør kun med en spesiell CD-plate som er beregnet for å rengjøre laserlinsen.

4.3 Høre på CD-plate

Normal avspilling

1. Sett i en CD-plate. Platen begynner å snurre og "CD" vises på displayet mens platen leses inn.
2. Før funksjonsvelgeren til MP3/CD/SD/USB.
3. Spillingen starter automatisk med spor 1 etter noen sekunder når platen er innlest. 001 viser i displayet.
4. Juster volumet med [VOLUME].
5. Trykk på [PLAY/PAUSE] for å midlertidig stoppe avspillingen. Trykk på [PLAY/PAUSE] for å starte avspillingen igjen.
6. Trykk på [■] for å avbryte spillingen.
7. Før funksjonsvelgeren (10) til "Tape/OFF" for å skru av spilleren helt.

Husk at:

- Trykk aldri ned CD-luken under avspilling. Det kan skade CD-platen eller -spilleren.
- Trykk alltid på "STOP" før CD-platen tas ut av spilleren.
- Dersom du flytter eller støter borti spilleren under avspilling, kan den bli stille et lite øyeblikk og deretter starte opp igjen. Det er normalt for en CD-spiller.

4.4 Hoppe over spor

1. Denne funksjonen gir deg mulighet til å finne begynnelsen på et spor på CD-platen under avspilling: Trykk på [▶▶] en eller flere ganger for å gå til ønsket neste spor, aktuelt CD-spor vises i displayet.
2. Trykk på [◀◀] to eller flere ganger for hurtig å gå til ønsket foregående spor, aktuelt CD-spor vises i displayet. Trykk en gang for å gå til begynnelsen på aktuelt spor.
3. Trykk og hold inne knappen [◀◀] eller [▶▶] for å hurtigsøke gjennom sporene, slipp knappen når du har funnet ønsket spor.

4.5 BASS BOOST

Trykk på [BASS BOOST] for å øke bassgjengivelsen.

4.6 Elektronisk antiristeminne (ESP)

Det elektroniske antiristeminnet forhindrer at lyden forsvinner eller "hopper" hvis spilleren utsettes for mindre støt eller vibrasjoner.

Når CD-platen starter å spille kobles buffertminne inn automatisk. Musikkens digitale data lagres i en minnebuffert før den avkodes og begynner å spille.

Når spilleren blir utsatt for sterke rystelser ved avspilling, vil minneinnholdet fortsette å avkodes og musikken spilles. På denne måten får pick-upen tid på seg til å stabilisere seg og fortsette med å lese inn nye data senere.

Obs! Når ESP-funksjonen aktiveres eller skrur av blir lyden borte i 1 – 2 sekunder.

5. Alternativ spilling

Fungerer på samme måte for alle lagringsmedia.

5.1 Repetere et spor på CD

1. Trykk en gang på [MODE] i stopp- eller avspillingsmodus. "REPT 1" kommer opp på displayet.
2. Trykk på [▶▶] (14) eller [◀◀] (15) for å velge det sporet som skal repeteres.
3. Det valgte sporet fortsetter å spilles til du trykker på [■] (20) eller trykker flere ganger på [MODE] (12).

5.2 Repetere alle spor på CD-platen

1. Trykk to ganger på [MODE] i stopp- eller avspillingsmodus. "REPT ALL" kommer opp på displayet.
2. Trykk på [▶▶] (14) eller [◀◀] (15) for å velge det sporet som skal repeteres.
3. Det valgte sporet fortsetter å spilles til du trykker på [■] (20) eller trykker flere ganger på [MODE] (12).

5.3 INTRO (lytt til de 10 første sekundene på hvert spor)

1. Trykk tre ganger på [MODE] i stopp- eller avspillingsposisjonen, ved avspilling av CD-plate.
2. "INTRO" vises på displayet, trykk på [▶ II] for å starte spillingen av spor 1.
3. Det valgte sporet fortsetter å spilles til du trykker på [■] (20) eller trykker flere ganger på [MODE] (12).

5.4 Random (tilfeldig avspelningsrekkefølge)

Alle spor spilles i tilfeldig rekkefølge.

1. Trykk fire ganger på [MODE] i stopp- eller avspillingsmodus, mens platen spilles.
2. "RAND" vises på displayet, trykk på [▶ II] (18) for å starte spillingen av alle spor i tilfeldig rekkefølge.
3. Det valgte sporet fortsetter å spilles til du trykker på [■] (20) eller trykker flere ganger på [MODE] (12).

5.5 Programmert spilling

Opp til 20 spor kan programmeres for avspilling i ønsket rekkefølge. Programmering kan kun gjøres når spilleren er i stoppmodus.

1. Trykk på [■] (20) for å gå til stopposisjonen.
2. Trykk på [PROG] (13). Displayet viser da "PROG" og programnummer "P01 "
3. Trykk på [▶▶] (14) eller [◀◀] (15) for å velge det første sporet
4. Trykk på [PROG] for å lagre det første sporet, programnummer "P02" vises og spilleren venter på ditt neste valg av spor.
5. Repeter trinn 3 og 4 til alle ønskede spor (maks. 20)er lagret i minnet.
6. Trykk på [▶ ||] [18] når programmeringen er ferdig.
7. Avspillingen av det først valgte sporet begynner.
8. Alle sporene vil spilles av i den rekkefølgen du har programmert.
9. Trykk på [■] (20) to ganger for å avslutte avspillingen og slette programmeringen.

OB! Minnet for de programmerte sporene vil slettes:

- Dersom du åpner CD-lokket.
- Dersom du flytter funksjonsvelgeren til "Tape" eller "Radio" - modus.
- Dersom strømmen til spilleren kobles fra.

6. Kassettpillerens funksjon

[||] (23) Pause

Trykk på [||] for å ta pause ved spilling av kassett.

[■] (24) Stopp

Trykk på [■] for å avslutte spillingen eller annen pågående funksjon og for å åpne kassettilokket i stopposisjon.

[▶▶] (25) Hurtigspole framover

Trykk ned for å spole båndet raskt framover. Trykk på [■] for å avslutte hurtigspillingen.

[◀◀] (26) Hurtigspole bakover

Trykk ned for å spole båndet raskt framover. Trykk på [■] for å avslutte hurtigspillingen.

[▶] (27) Avspilling

Trykk ned knappen for å starte spillingen av kassett.

[●] (28) Innspilling

Trykk ned både [●] og [▶] for å spille inn fra CD-plate, radio, minnekort eller USB-minne.

Obs! Hvis kassetten er innspillingsbeskyttet, går det ikke å trykke ned knappen. Se da "beskytt innspilling fra å raderes".

Automatisk båndstopp: Kassettpilleren har innebygd båndstopp og stopper automatisk når kassetten er slutt.

7. Slik bruker du kassettpilleren

1. Åpne kassettluken ved å trykke på [■].
2. Sett inn kassetten.
3. Lukk kassettluken.
4. Still inn funksjonsvelgeren på "TAPE/OFF".
5. Trykk på [▶] for å starte spillingen.
6. Juster volumet.
7. Trykk på [■] for å stoppe spillingen, og trykk en gang til for å åpne kassettluken.

OBS! Når båndet er ferdig, spretter [▶] -knappen opp og avspillingen stoppes. Dersom du vil spille den andre siden av kassetten: Ta ut kassetten og snu den, sett den inn igjen, steng kassettluken og trykk på [▶].

8. Ta vare på dine kassetter

- Båndet kan henge seg opp eller bli deformert dersom det ikke er strekt mellom kassettenes spoler. Dersom båndet ligger i en løs slynge, bør det strekkes før bruk, ta en penn eller lignende til hjelp og spol opp båndet som på bildet.
- Dersom båndet går tungt eller låter merkelig kan det hjelpe å hurtigspole båndet i begge retninger.
- Unngå å bruke C120 kassetter i kassettpilleren, disse har tynnere bånd og det er stor risiko for at de krølles.

8.1 Beskytt innspillingen mot sletting

Kassetten er utstyrt med slettebeskyttelse i form av små fliker på baksiden. Pirk bort en flik med en skrutrekker eller lignende. Dersom båndet holdes som ved avspilling styrer den høyre fliken innspillingen for den siden som spilles. Dersom du vil slette tidligere innspilling og fliken er borte, kan du sette en teipbit over hullet.

8.2 Slette innspilling fra kassettbånd

1. Før funksjonsvelgeren til "TAPE"
2. Trykk på "RECORD" til den låser i nedtrykt posisjon (play påvirkes samtidig) for å starte innspillingen, ny innspilling begynner og dermed slettes den tidligere innspillingen (husk at omgivelsene må være stille, eventuell lyd spilles inn via den innebygde mikrofonen).

9. Innspilling

9.1 Spill inn fra den innebygde radioen

1. Still funksjonsknappen på "RADIO" og still inn ønsket stasjon.
2. Sett en kassett i kassettluken.
3. Trykk på [●] (28) og [▶] (27) til de låser i nedtrykt posisjon for å starte innspillingen. Trykk på Pause [||] (23) dersom du ikke vil starte innspillingen direkte. Trykk igjen på [||] når du vil starte innspillingen.
4. Trykk på [■] for å avbryte innspillingen, ellers avbrytes innspillingen når båndet er slutt.
5. Trykk på [◀◀] (26) for å hurtigspole bakover til innspillingens startpunkt, trykk deretter på [■] (24) og [▶] (27) for å lytte til innspillingen. Juster volumet.

OBS! Begynnelsen og slutten på båndet er utstyrt med startteip som ikke er innspillbar, hvis du vill være sikker på at innspillingen begynner med en gang uten opphold bør du spole fram noen sekunder av båndet før du begynner innspillingen.

9.2 Spill inn fra CD-plate

1. Plasser en kassett i kassettluken.
2. Still funksjonsvelgeren (10) på [CD/MP3/SD/USB] trykk på [CD/SD/USB] (19), velg CD og start innspillingen.
3. Trykk på [●] (28) og [▶] (27) til de låser i nedtrykt posisjon for å starte innspillingen. Trykk på Pause [||] (23) dersom du ikke vil starte innspillingen direkte. Trykk igjen på [||] når du vil starte innspillingen.
4. Trykk på [■] for å avbryte innspillingen, ellers avbrytes innspillingen når båndet er slutt.
5. Trykk på [◀◀] (26) for å hurtigspole bakover til innspillingens startpunkt, trykk deretter på [■] (24) og [▶] (27) for å lytte til innspillingen. Juster volumet.

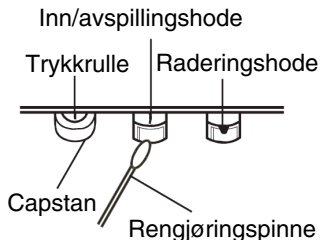
9.3 Spille inn fra USB-minne (Usb) eller minnekort (Sd)

1. Plasser en kassett i kassettluken.
2. Still funksjonsvelgeren (10) på [CD/MP3/SD/USB] trykk på [CD/SD/USB] (19), velg "USB" eller "SD" og start innspillingen.
3. Trykk på [●] (28) og [▶] (27) til de låser i nedtrykt posisjon for å starte innspillingen. Trykk på Pause [||] (23) dersom du ikke vil starte innspillingen direkte. Trykk igjen på [||] når du vil starte innspillingen.
4. Trykk på [■] for å avbryte innspillingen, ellers avbrytes innspillingen når båndet er slutt.
5. Trykk på [◀◀] (26) for å hurtigspole bakover til innspillingens startpunkt, trykk deretter på [■] (24) og [▶] (27) for å lytte til innspillingen. Juster volumet.

10. Vedlikehold av spilleren

Rengjør trykkrolle, capstan, slettehode og inn/avspillingshode dersom lyden har blitt dårlig eller båndet floker seg når du bruker kassett. Åpne kassettluken og bruk en Q-tip som er dyppet i alkohol eller spesiell rengjøringsvæske for tonehoder.

OBS! Bruk ikke metallverktøy ved rengjøring. Sett ikke inn en kassett før delene er helt tørre.

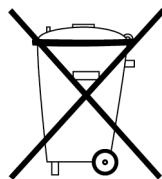


11. Hodetelefoner

Plugg hodetelefonene (følger ikke med) i uttaket (11). Det kommer ingen lyd fra høyttalerne når hodetelefonene er koblet til.

12. Beskytt miljøet

Sorter avfallet og la det gå til gjenvinning istedenfor å kaste det. All elektronikk og all emballasje skal sorteres og håndteres i henhold til lokale miljøforskrifter.



13. Tekniske data

Størrelse: 390 x 230 x 165 mm
 Drivspenning: 230 V AC, 50 Hz
 Batteridrift: 8 stk. R14 batterier

Radio:
 Frekvensområde: AM: 522 – 1 710 KHz
 FM: 87,5 – 108 MHz

CD-spiller: Halvlederlaser
 Avkoding: 16 bites linjer

Tilkoblingskontakt for SD-minnekort og USB-minne.

Tilkobling for høretelefoner: 3,5 mm stereoplugg, 8 - 32 Ohm

CD-/MP3-RADIONAUHURI

Tuotenumero: 38-2522

Malli: MC-9814USB

Lue käyttöohjeet ennen tuotteen käyttöönottoa. Säilytä käyttöohjeet tulevaa tarvetta varten. Pidätämme oikeuden teknisten tietojen muutoksiin. Emme vastaa mahdollisista teksti- tai kuvavirheistä.

Jos laitteeseen tulee teknisiä ongelmia, ota yhteys myymälään tai asiakaspalveluun (yhteystiedot käyttöohjeen lopussa).

Tärkeää: Lue käyttöohje huolella ja varmista, että olet ymmärtänyt käyttöohjeen ennen tuotteen käyttöönottoa. Säilytä käyttöohje.

Turvallisuus

Huomioi seuraavat turvallisuussymbolit



Varoitus! Älä avaa laitteen kotelo! Kotelon sisällä on vaarallista jännitettä sisältäviä suojaamattomia komponentteja, jotka voivat aiheuttaa sähköiskun.

CD-soittimessa



LUOKAN 1 LASERLAITE

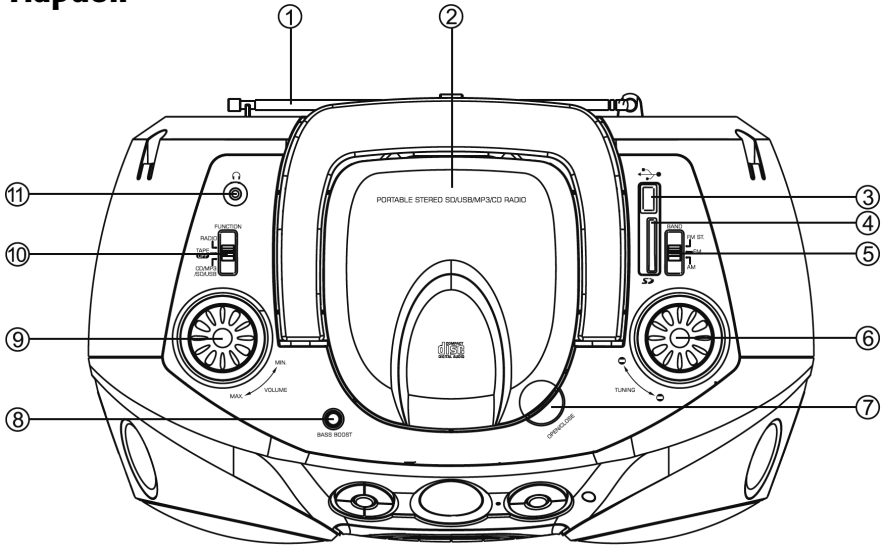
Varoitus! Älä avaa laitteen kotelo! Näkymätön lasersäde voi aiheuttaa silmävaurioita. Älä katso säteeseen edes optisten instrumenttien läpi.

- Tuotteen saa korjata vain valtuutettu huoltoliike.
- Älä pura tai muuta tuotetta.
- Älä sijoita tuotetta sellaiseen paikkaan, josta se voi tippua veteen tai muuhun nesteeseen. Älä laita laitteen päälle nesteitä sisältäviä esineitä, kuten maljakoita tai limsapulloja.
- Älä käytä stereoradionauhuria kosteissa tai pölyisissä tiloissa tai paikoissa, joissa siihen kohdistuu voimakasta värähtelyä.

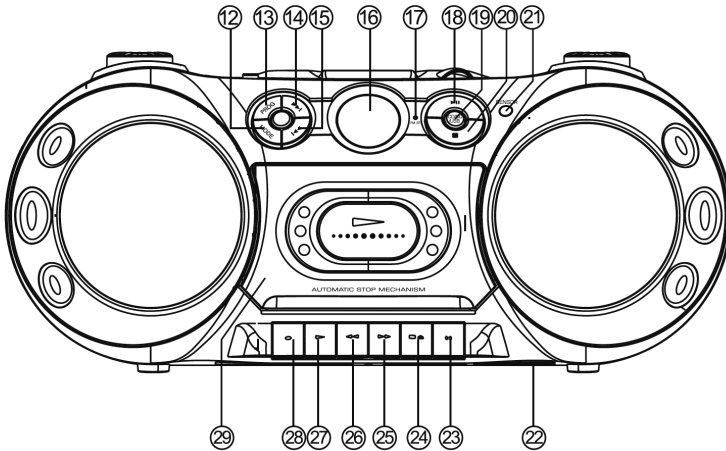
1. Kuvaus

- Stereokasettiradio, jossa cd-/mp3-soitin.
- Pakkaus sisältää kaukosäätimen.
- Liitäntä SD-muistikortille ja USB-muistille.
- Sähkö- (230 V) ja paristokäyttöinen (8 kpl R14) eivät sisälly.

Yläpuoli

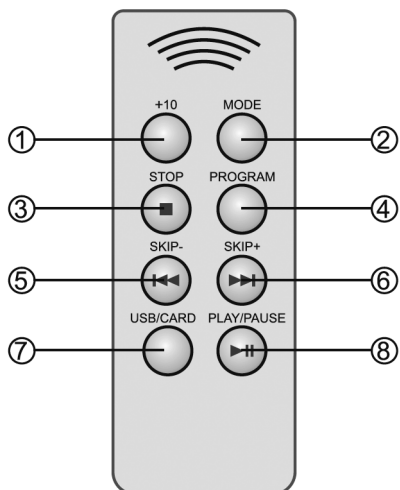


Etupuoli



1. Teleskoopiantenni (FM-vastaanotto)
2. Cd-lokero
3. Liitäntä USB-muistille
4. Liitäntä SD/MMC-muistikortille
5. [FMST/FM/AM] Aallonpituuden valitsin: FM stereo, FM ja AM
6. [TUNING] Kanavahaku
7. [OPEN/CLOSE] Avaa/sulje cd-kansi
8. [BASS BOOST] Bassonvahvistus
9. [VOLUME] Äänenvoimakkuuden säätö
10. [RADIO/TAPE-OFF/CD/MP3/SD/USB] Toiminnonvalitsin
11. Kuulokeliitäntä
12. [MODE] Cd-toiminnot
13. [PROG] Cd-ohjelmointi
14. [▶▶] Siirry seuraavaan cd-raitaan, pikakelaus eteenpäin
15. [◀◀] Siirry edelliseen cd-raitaan, pikakelaus taaksepäin
16. Nestekidenäyttö
17. FM ST. (FM stereo -merkkivalo)
18. [▶ II] Cd-levyn toisto tai tauko
19. [CD/SD/USB] Äänilähteen valinta
20. [■] Cd-levyn toiston pysäyttäminen
21. SENSOR Kaukosäätimen anturi
22. Paristolokero
23. [II] Tauko kasetin toistossa
24. [■] Kasetin toiston pysäytys ja kasettilokeron avaaminen
25. [▶▶] Pikakelaus eteenpäin
26. [◀◀] Pikakelaus taaksepäin
27. [▶] Kasetin toiston aloittaminen
28. [●] Nauhoituspainike
29. Kasettilokero

1.1 Kaukosäädin



1. [+10] Siirry 10 eteenpäin
2. [MODE] Toiminnot
3. [■] Pysäytys
4. [PROGRAM] Ohjelmointi
5. [⏮] Siirry edelliseen cd-raitaan, pikakelaus eteenpäin
6. [⏭] Siirry seuraavaan cd-raitaan, pikakelaus taaksepäin
7. [USB/CARD] Valitse USB tai muistikortti
8. [▶ ||] Toisto/Tauko

2. Virtalähde

Verkkoliitäntä

Liitä verkkojohdon toinen pää laitteen takana olevaan liitäntään ja pistoke pistorasiaan.

Kun käytät nauhuria paristoilla

Paristojen asennus:

1. Irrota paristolokeron kansi painamalla sitä nuolen suuntaan.
2. Aseta lokeroon 8 kpl R14-paristoa takapuolen merkintöjen mukaisesti.
3. Pane paristolokeron kansi takaisin paikalleen.

Muista:

- Verkkojohto ei saa olla liitettyä stereoradionauhuriin paristoja käytettäessä.
- Kun verkkojohto on liitetty, laite ei toimi paristoilla.
- Poista vanhat ja vialliset paristot, jotteivät ne ala vuotaa.
- Poista paristot, mikäli laitetta ei käytetä vähään aikaan.

3. Radion kuuntelu

1. Säädä toiminnonvalitsin (10) asentoon RADIO kun haluat kuunnella radiota. Näyttö (16) loistaa.
2. Valitse aallonpituus valitsimella (MW, FM, FM ST).
3. Valitse radioasema TUNING-säätönupilla.
4. Sisäinen keskiaaltoantenni ja teleskooppiantenni vastaanottavat signaaleja, jotka ovat vahvempia tai heikompia suuntauksesta riippuen.
FM-vastaanotto: Vedä koko teleskooppiantenni ulos ja käännä sitä tarvittaessa.
AM (keskiaalto): Käännä laitetta, kunnes kuuluvuus on hyvä.
5. Säädä äänenvoimakkuus VOLUME-nupilla.
6. Sulje radio kääntämällä toiminnonvalitsin (10) asentoon TAPE/OFF.

Huom.:

- Jos kuuntelet kanavaa FM stereo -taajuudella ja kanava kuuluu huonosti, käännä aallonpituuden valitsin asentoon "FM" (mono), joka vastaanottaa yleensä paremmin.
- Jos aallonpituuden valitsin on asennossa FM ST ja etsit kanavaa kanavanhakunupilla, "FM ST" -merkkivalo syttyy, kun löytyy stereona lähetävä kanava ja vastaanotto on hyvänlaatuinen.

4. Musiikin kuuntelu

Musiikin kuuntelu cd/mp3-levyltä, SD-muistikortilta tai USB-muistista.

Valitse, mitä tallennusmediaa haluat kuunnella, painamalla [CD/SD/USB] (19). Va-
littu media näkyy näytöllä (Cd – Sd – Usb). Kun olet avannut haluamasi kansion,
ovat toiminnot samat kaikille tallennusmedioille. Jos sinulla on vain yhdenlainen
tallennusmedia, alkaa ensimmäinen kansio automaattisesti.

4.1 Cd/mp3-levyn asettaminen

1. Käännä toiminnonvalitsin (10) asentoon CD/MP3/SD/USB.
2. Avaa cd-kansi.
3. Aseta lokeroon cd-levy etikettipuoli ylöspäin (jos levy on väärinpäin, näytöllä on merkintä "NO DISC"). Cd-singleä (8 cm) voi käyttää ilman sovitinta.
4. Sulje cd-kansi varovasti.

4.2 Cd-levyn poistaminen

1. Jos cd-levyn toisto on päällä, pysäytä toisto painamalla [■] (20).
2. Avaa cd-kansi.
3. Irrota levy varovasti levylautaselta ja aseta se takaisin koteloonsa.
4. Sulje cd-kansi varovasti.

Huom.:

- Älä koske cd-lokeron laserlukupäähän käsin, vaan puhdista se ainoastaan erityisellä laserlukupään puhdistukseen tarkoitettulla cd-levyllä.

4.3 Cd-levyn kuuntelu

Normaali toisto

1. Aseta lokeroon cd-levy. Levy alkaa pyöriä ja näytöllä lukee "Cd" levyn tunnistamisen ajan.
2. Käännä toiminnonvalitsin (10) asentoon CD/MP3/SD/USB.
3. Kun levy on tunnistettu, alkaa toisto automaattisesti raidasta 1. Näytöllä näkyy 001.
4. Säädä äänenvoimakkuus [VOLUME]-säätimellä (9).
5. Keskeytä toisto tilapäisesti painamalla [PLAY/PAUSE] (18). Paina [PLAY/PAUSE], kun haluat jatkaa toistoa.
6. Lopeta toisto painamalla pysäytyspainiketta [■] (20).
7. Sulje laite kääntämällä toiminnonvalitsin (10) asentoon TAPE/OFF.

Ota huomioon:

- Älä paina cd-kantta toiston aikana. Se voi vahingoittaa cd-levyä tai soitinta.
- Paina aina "STOP"-painiketta ennen kuin otat cd-levyn soittimesta.
- Jos siirrä tai töytäiset soitinta toiston aikana, se voi mykistyä hetkeksi, mutta jatkaa toistoa pian. Tämä on tavallista cd-soittimissa.

4.4 Raidan yli hyppääminen

1. Tämä toiminto mahdollistaa siirtymisen eri raitojen alkuun toiston aikana: Siirry seuraaviin raitoihin painamalla [▶▶] (14) kerran tai useita kertoja. Toistettava raita näkyy näytöllä.
2. Siirry edellisiin raitoihin painamalla [◀◀] (15) nopeasti kahdesti tai useita kertoja. Toistettava raita näkyy näytöllä. Siirry toistettavan raidan alkuun painamalla kerran.
3. Pikakelaa eteen- tai taaksepäin pitämällä pohjassa painiketta [▶▶] tai [◀◀]. Päästä painike, kun olet löytänyt halutun kohdan.

4.5 BASS BOOST

Lisää bassontoistoa painamalla [BASS BOOST].

4.6 Elektroninen puskurimuisti (ESP)

Elektroninen puskurimuisti estää äänen häviämisen tai hyppimisen, kun soittimeen kohdistuu iskuja tai tärinää.

Kun cd-levyn toisto alkaa, kytkeytyy puskurimuisti automaattisesti päälle. Musiikin digitaaliset tiedot varastoidaan puskurimuistiin ennen soiton aloittamista.

Kun soitin altistuu kuuntelun aikana tärinälle, laite lukee muistia ja jatkaa levyn toistoa. Näin lukupää ehtii tasoittua ja jatkaa uuden tiedon lukemista.

Huom.! Kun ESP-toiminto aktivoidaan tai sammutetaan, ääni hiljenee 1 – 2 sekunniksi.

5. Vaihtoehtoinen toisto

Toimii samalla tavalla kaikkien tallennusmedioiden kanssa.

5.1 Yhden raidan uudelleentoisto

1. Paina kerran [MODE]-painiketta (12) toisto- tai valmiustilassa. Näytöllä lukee ”REP 1”.
2. Valitse toistettava raita painikkeella [▶▶] (14) tai [◀◀] (15).
3. Soitin toistaa valittua raitaa, kunnes painat [■] (20) tai kunnes painat monta kertaa [MODE] (12).

5.2 Cd:n kaikkien raitojen uudelleentoisto

1. Paina kahdesti [MODE]-painiketta (12) toisto- tai valmiustilassa. Näytöllä lukee ”REP ALL”.
2. Valitse toistettava raita painikkeella [▶▶] (14) tai [◀◀] (15).
3. Soitin toistaa valittuja raitoja, kunnes painat [■] (20) tai kunnes painat monta kertaa [MODE] (12).

5.3 INTRO (jokaisen raidan 10 ensimmäisen sekunnin kuuntelu)

1. Paina kolmesti [MODE]-painiketta (12) cd-levyn toisto- tai valmiustilassa.
2. Näytöllä on merkintä ”INTRO”. Aloita pikakuuntelu raidasta 1 painikkeella [▶ II] (18).
3. Soitin toistaa valittuja raitoja, kunnes painat [■] (20) tai kunnes painat monta kertaa [MODE] (12).

5.4 Random (satunnaistoisto)

Kaikki raidat toistetaan sattumanvaraisessa järjestyksessä.

1. Paina neljästi [MODE]-painiketta (12) toisto- tai valmiustilassa.
2. Näytöllä on merkintä ”RAND”. Aloita satunnaistoisto painikkeella [▶ II] (18).
3. Toisto jatkuu, kunnes painat [■] (20) tai kunnes painat monta kertaa [MODE] (12).

5.5 Ohjelmoitu toisto

Voit ohjelmoida 20 raitaa toistettavaksi halutussa järjestyksessä. Ohjelmoinnin voi tehdä ainoastaan soittimen ollessa valmiustilassa.

1. Siirry valmiustilaan painamalla [■] (20).
2. Paina [PROG] (13). Näytöllä lukee "PROG" ja ohjelmointinumero "P01".
3. Valitse ensimmäinen raita painamalla [▶▶] (14) tai [◀◀] (15).
4. Tallenna ensimmäinen valitsemasi raita painamalla [PROG].
Ohjelmointinumero "P02" näkyy näytöllä ja soitin odottaa seuraavaa valintaasi.
5. Toista kohtia 3 ja 4, kunnes kaikki haluamasi raidat (maks. 20) on tallennettu.
6. Paina [▶ ||] (18), kun ohjelmointi on valmis.
7. Ensimmäisen valitsemasi raidan toisto alkaa.
8. Raidat toistetaan ohjelmoimassasi järjestyksessä.
9. Paina pysäytyspainiketta [■] (20) kaksi kertaa lopettaaksesi toiston ja poistaaksesi ohjelmoinnin.

HUOM.! Raitojen ohjelmointi katoaa:

- jos avaat cd-kannen.
- kun käännät toiminnonvalitsimen asentoon "TAPE" tai "RADIO".
- kun soittimesta katkaistaan virta.

6. Kasettinauhurin toiminnot

[||] (23) Tauko

Keskeytä kasetin toisto hetkeksi painamalla [||]-painiketta.

[■] (24) Pysäytys

Paina [■]-painiketta pysäyttääksesi toiston tai muun toiminnon, tai avataksesi kasettilokeron luukun pysäytystilassa.

[▶▶] (25) Pikakelaa eteenpäin

Paina painiketta kelataksesi kasettia eteenpäin. Pysäytä kelaus painamalla [■].

[◀◀] (26) Pikakelaa taaksepäin

Paina painiketta kelataksesi kasettia taaksepäin. Pysäytä kelaus painamalla [■].

[▶] (27) Toisto

Aloita kasetin toisto painamalla toistopainiketta.

[●] (28) Nauhoitus

Paina pohjaan sekä [●] että [▶] äänittääksesi cd-levyiltä, radiosta, muistikortilta tai USB-muistista.

Huom.! Jos kasetti on tallennussuojattu, et voi painaa painikkeita pohjaan. Ks. "Nauhoituksen suojaaminen".

Automaattinen nauhanpysäytys: Kasettinauhuri sammuu automaattisesti, kun kasetti on lopussa.

7. Näin käytät kasettinauhuria

1. Avaa kasettilokero painamalla [■].
2. Aseta kasetti lokeroon.
3. Sulje kasettilokero.
4. Säädä toiminnonvalitsin asentoon ”TAPE/OFF”.
5. Aloita toisto painamalla [▶].
6. Säädä äänenvoimakkuus.
7. Lopeta toisto [■]-painikkeella. Paina painiketta uudestaan, niin kasettilokero avautuu.

HUOM.! Kun nauha loppuu, [▶]-painike nousee ylös ja toisto loppuu. Jos haluat kuunnella kasetin toisen puolen, ota kasetti ulos lokerosta ja aseta se takaisin lokeroon ja paina [▶].

8. Kasettien huolto

- Kasetin nauha voi sotkeutua tai rikkoutua, jos se ei ole kireällä kasettien kelojen välissä. Jos nauha on löysällä, se tulee kiristää ennen kasetin kuuntelua. Käytä apuna esimerkiksi kynää ja kiristä nauha kuvan mukaisesti.
- Jos nauha kulkee huonosti tai kuulostaa oudolta, pikakelaa kasettia molempiin suuntiin. Se yleensä auttaa.
- Älä käytä C120-kasetteja nauhurissa, sillä niissä on ohuempi nauha ja ne voivat sotkeutua helposti.

8.1 Nauhoituksen suojaaminen

Jotkin kasetit ovat nauhoitussuojattuja ja niiden alaosassa on pienet kielekkeet. Kieleke voidaan irrottaa taltalla tai vastaavalla. Oikea kieleke ohjaa toistettavan puolen nauhoitusta.

Jos haluat nauhoittaa kasetin päälle, eikä kasetissa ole kielekkeitä, peitä kolo teipillä.

8.2 Kasetin tyhjentäminen

1. Käännä toiminnonvalitsin asentoon ”TAPE”.
2. Paina ”RECORD” kunnes se lukittuu (play liikkuu samanaikaisesti) käynnistääksesi nauhoituksen, uusi nauhoitus alkaa ja poistaa edellisen nauhoituksen (ota huomioon, että ympäristön on oltava hiljainen, sillä mahdolliset äänet nauhoittuvat kasetille mikrofonin kautta).

9. Tallennus

9.1 Nauhoittaminen radiosta

1. Aseta toimintopainike (10) asentoon RADIO ja hae haluamasi radiokanava.
2. Aseta kasetti lokeroon.
3. Paina painikkeita [●] (28) ja [▶] (27) kunnes ne lukittuvat. Nauhoitus alkaa. Paina taukopainiketta [||] (23), jos et halua aloittaa nauhoittamista heti. Paina taukopainiketta uudestaan, kun haluat aloittaa nauhoittamisen.
4. Lopeta nauhoitus [■]-painikkeella (24). Muuten nauhoitus loppuu, kun kasetti on lopussa.
5. Pikakelaa takaisin kohtaan, josta aloitit nauhoituksen painamalla [◀◀] (26). Pysäytä pikakelaus [■]-painikkeella (24). Aloita nauhoituksen kuuntelu [▶]-painikkeella (27). Säädä äänenvoimakkuus.

HUOM.! Nauhan alussa ja lopussa on aloitusteippi, johon ei voi nauhoittaa. Jos haluat nauhoituksen alkavan oikeasta kohdasta, kelaa kasettia muutama sekunti eteenpäin ennen nauhoituksen aloittamista.

9.2 Cd-levyn tallennus

1. Aseta kasetti lokeroon.
2. Aseta toiminnonvalitsin (10) kohtaan [CD/MP3/SD/USB] ja paina [CD/SD/USB]-painiketta (19). Valitse cd ja aloita toisto.
3. Paina painikkeita [●] (28) ja [▶] (27) kunnes ne lukittuvat. Nauhoitus alkaa. Paina taukopainiketta [||] (23), jos et halua aloittaa nauhoittamista heti. Paina taukopainiketta uudestaan, kun haluat aloittaa nauhoittamisen.
4. Lopeta nauhoitus [■]-painikkeella (24). Muuten nauhoitus loppuu, kun kasetti on lopussa.
5. Pikakelaa takaisin kohtaan, josta aloitit nauhoituksen painamalla [◀◀] (26). Pysäytä pikakelaus [■]-painikkeella (24). Aloita nauhoituksen kuuntelu [▶]-painikkeella (27). Säädä äänenvoimakkuus.

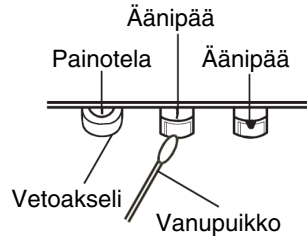
9.3 Tallentaminen USB-kortilta (Usb) tai muistikortilta (Sd)

1. Aseta kasetti lokeroon.
2. Aseta toiminnonvalitsin (10) kohtaan [CD/MP3/SD/USB] ja paina [CD/SD/USB]-painiketta (19). Valitse joko "Usb" tai "Sd" ja aloita toisto.
3. Paina painikkeita [●] (28) ja [▶] (27) kunnes ne lukittuvat. Nauhoitus alkaa. Paina taukopainiketta [||] (23), jos et halua aloittaa nauhoittamista heti. Paina taukopainiketta uudestaan, kun haluat aloittaa nauhoittamisen.
4. Lopeta nauhoitus [■]-painikkeella (24). Muuten nauhoitus loppuu, kun kasetti on lopussa.
5. Pikakelaa takaisin kohtaan, josta aloitit nauhoituksen painamalla [◀◀] (26). Pysäytä pikakelaus [■]-painikkeella (24). Aloita nauhoituksen kuuntelu [▶]-painikkeella (27). Säädä äänenvoimakkuus.

10. Nauhurin huolto ja puhdistus

Puhdista painotela, vetoakseli ja äänipää, jos äänenlaatu on heikko tai jos nauha sotkeutuu. Käytä puhdistamiseen vanupuikkoa, joka on kastettu alkoholiin tai äänipäille tarkoitettuun puhdistusnesteeseen.

HUOM.! Älä käytä puhdistamiseen metalliesineitä. Älä aseta lokeroon kasettia, ennen kuin osat ovat täysin kuivat.



11. Kuulokkeet

Kuulokkeet (eivät sisälly) voit liittää kuulokeliitäntään (11). Kaiuttimet mykistyvät, kun kuulokkeet liitetään.

12. Pidä huolta ympäristöstä

Lajittele ja kierrätä jätteet. Älä heitä niitä sekajätteisiin. Kaikki kodinelektroniikka ja pakkausmateriaalit on lajiteltava paikallisten ympäristösääntöjen mukaisesti.



13. Tekniset tiedot

Mitat: 390 x 230 x 165 mm
Käyttöjännite: 230 VAC, 50 Hz
Paristot: 8 x R14

Radio:
Taajuusalue: AM: 522–1710 KHz
FM: 87,5–108 MHz

Cd-soitin: Puolijohdelaser
Koodin purku: 16 bitin lineaari

Liitäntä SD-muistikortille ja USB-muistille

Kuulokeliitäntä: Ø 3,5 mm:n stereopistoke, 8–32 Ohmia

SVERIGE

KUNDTJÄNST Tel: 0247/445 00
Fax: 0247/445 09
E-post: kundtjanst@clasohlson.se

INTERNET www.clasohlson.se

BREV Clas Ohlson AB, 793 85 INSJÖN

NORGE

KUNDESETER Tlf.: 23 21 40 00
Faks: 23 21 40 80
E-post: kundesenter@clasohlson.no

INTERNETT www.clasohlson.no

POST Clas Ohlson AS, Postboks 485 Sentrum, 0105 OSLO

SUOMI

ASIAKASPALVELU Puh: 020 111 2222
Faksi: 020 111 2221
Sähköposti: info@clasohlson.fi

INTERNET www.clasohlson.fi

OSOITE Clas Ohlson Oy, Yrjönkatu 23 A, 00100 HELSINKI

GREAT BRITAIN

For consumer contact, please visit
www.clasohlson.co.uk and click on
customer service.

INTERNET www.clasohlson.co.uk

CLAS OHLSON

www.clasohlson.com