

Record Player

Skivspelare
Platespiller
Levysoitin



Art.no.
38-2767

Model
TCD-982WE

Ver. 200908

CLAS OHLSON

www.clasohlson.com

ENGLISH

SVENSKA

NORSK

SUOMI

Record Player with Radio, CD/MP3 & USB/SD

Art.no.: 38-2767 Model: TCD-982WE

Please read the entire instruction manual before using the product and save it for future reference. We apologise for any text or photographic errors and any changes of technical data. If you have any questions concerning technical problems please contact our Customer Services (see address on reverse).

Safety

- The product should only be repaired by qualified service personnel.
- The product should not be dismantled or changed.
- Do not place the product where it could fall into water or other type of liquid. Do not place any objects which contain liquid on the product, e.g. flower vase or soft drink.
- Shut off the standby function during night time or when you travel away.
- Do not cover the product. Adequate ventilation with a distance of at least 15 cm between ventilation holes and surrounding area is necessary to prevent the device from becoming warm.
- Do not place the stereo in a damp, dusty environment or where there are strong vibrations.
- Long exposure of high volume from headphones can damage your ears.

Warning: Do not open the casing! Dangerous current exists in unprotected components within the product's casing. Contact with these can lead to fire or give electric shocks.



On the CD player

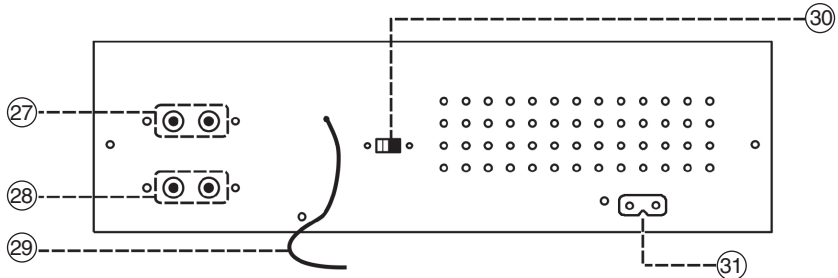
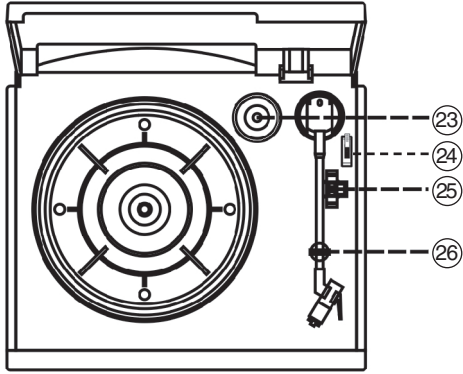
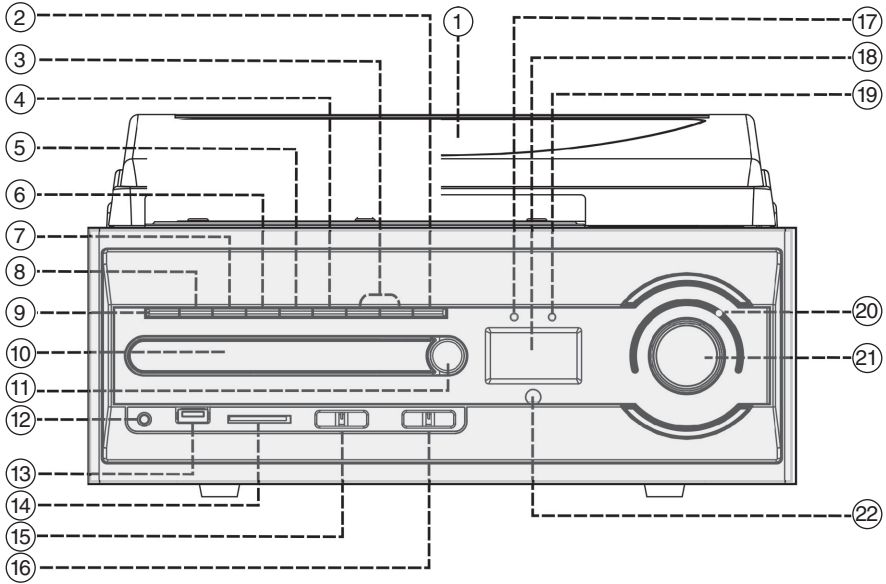
CLASS 1 LASER DEVICE

Warning: Do not open the casing! Invisible laser beams can cause eye damage. Do not look directly into the laser beam or look directly at it through an optical instrument.



Buttons and Functions

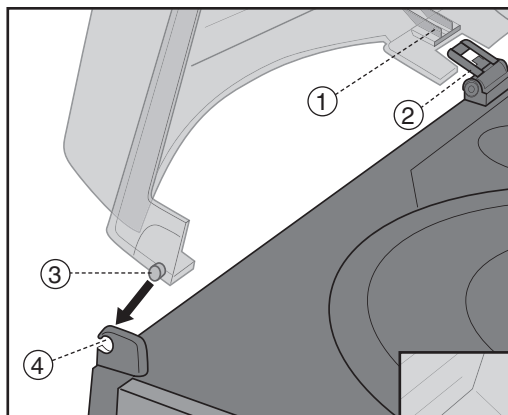
1. Lid
2. ►|| / ■ (PLAY/PAUSE/STOP) – Play/Pause or stop the CD playing
3. I◀◀ / ▶▶I – Selects the next or previous track at CD playing
4. FOLDER UP – Switch folder (at mp3 playing)
5. REP/INTRO/RAN – Repeated/Intro/Random playing
6. SOURCE – Choose source
7. Volume up (+)
8. Volume down (-)
9. RECORD – Recording to USB memory/memory card
10. CD compartment
11. OPEN/CLOSE – Button for opening of the CD compartment
12. Headphone socket 3.5 mm
13. Connection for USB memory
14. Connection for SD/MMC memory card
15. POWER/FUNCTION – Function switch
16. BAND – Switch (radio)
17. Indicator for functions
18. LCD-display
19. FM Stereo indicator
20. Frequency indicator
21. TUNING – Frequency knob
22. IR receiver for remote control
23. Clamp
24. Tonearm lifting lever
25. Speed control 33/45 rpm
26. Pickup needle holder
27. Low-level output
28. Connection for speakers (right/left)
29. FM antenna
30. Switch for “Auto stop”
31. Outlet for mains lead



Mounting & Installation

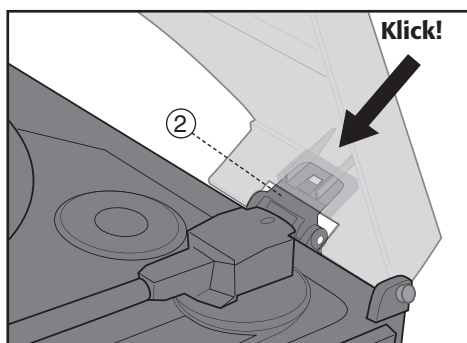
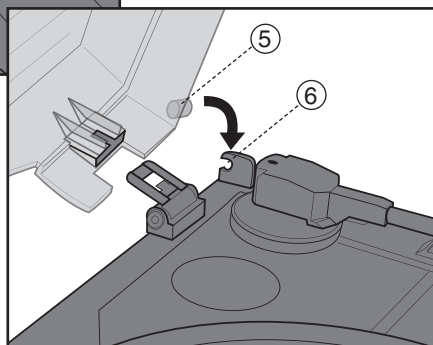
Mounting of the cover

1. Make sure the hinge fitting (2) is completely folded backwards.



2. Fit the cover (1) on the hinge fitting (2) but not all the way down.

3. First set the cover's left pin (3) in the record player's left fixing (4) and then push the cover's right pin (5) carefully in the record player's right fixing (6).



4. At the same time press down the cover on the hinge fitting (2) until it is locked and a click sound is heard.

Note:

Carefully attach the cover on the record player's side fixing. Incorrect mounting can damage the record player's side fixing.

Connection of speakers

- Connect the right and the left speaker to the right (R) and left (L) speaker outlet (28) on the back of the device.

Connecting to the power point

1. Connect the mains cord to a wall socket. Check that the voltage (V) which is shown in the marking table on the back of the device is the same as in your local electrical network (230 V AC, 50 Hz). Get advice from the retailer or at a place of service if that is not the case.
2. To shut the power off completely pull out the plug from the wall socket. Also pull out the plug from the wall socket during strong thunder storms to protect the device.

Use the record player

1. Remove the pickup needle protection from the tonearm.
2. Set the function switch (15) in position **PHONO** to turn on the record player.
3. Place a record on the turntable. Some 45 rpm records have a large hole in the centre and then the clamp (23) is needed for the record to be played.
4. Choose the right speed for the record with the speed control (25).
5. Lift and hold the tonearm over the record. The turntable now starts spinning.
6. Carefully lower the tonearm at the beginning of the wanted track.
7. The playing of the record now begins. Adjust the volume to the desired level with the volume control (7 & 8).
8. Lift the tonearm back to the pickup needle holder when the playing is done. The turntable stops spinning.

Note:

Some records have the end indication outside of the record player's "auto-stop" – range. This means that some records stop playing even before the last track of the record. This can be helped by setting the switch [Auto stop] (30) in position **OFF**.

Note:

The record will keep spinning even when the last track has been played. To stop the record set the switch [Auto stop] (30) in position **ON** or set the function switch (15) in position **OFF**.

Listen to the radio

FM

1. Set the function switch (16) in position **FM** (mono) or **FM-ST** (stereo).
2. Set desired frequency with the knob (21).
3. Place the antenna (29) in a suitable spot until the best reception has been received.
4. Adjust the volume to the desired level with the volume control (7 & 8).

AM

1. Turn function switch (16) to position **AM**.
2. Set desired frequency with the knob (21).
3. Adjust the volume to the desired level with the volume control (7 & 8).

Advice for best reception

AM: The stereo has a built-in antenna for AM reception.

The reception can be affected by turning or moving the device.

FM: Place the antenna (29) in a suitable spot until the best reception has been received. The antenna should be completely unfolded for the best reception.

Playing a CD

1. Open the CD compartment by pressing [OPEN/CLOSE] (11).
2. Place a CD (Audio or CD-R/CD-RW containing MP3 files) with the text up in the CD compartment.
3. Close the CD compartment by pressing [OPEN/CLOSE] (11).
4. Set the function switch (15) in position **CD/USB/SD**.
5. After a little while the total amount of tracks are shown in the display.
6. Press [PLAY/PAUSE/STOP] (2) to start playing. The first track is played.
7. Press [PLAY/PAUSE/STOP] (2) to temporarily stop the playing. Current track number blinks in the display. Press [PLAY/PAUSE/STOP] (2) to continue playing.
8. Press and hold [PLAY/PAUSE/STOP] (2) to stop the playing.

Choose a different track

During playing or in the pause mode you can use **I◀◀** or **▶▶I** (3) to choose another track.

1. Press shortly once **▶▶I** to get to the next track, or press repeatedly until the desired track number is shown in the display.
2. Press shortly **I◀◀** to return to the track that was previously played. Press shortly more than once to return to previous tracks.

Find a section in a track

1. Press and hold **I◀◀** or **▶▶I** to search a segment/chapter in a track. The CD is now being played with high speed and low volume.
2. Release the button when you hear the section you are seeking. The normal playing resumes.

Play a CD containing MP3 or WMA files

1. Open the CD compartment by pressing [OPEN/CLOSE] (11).
2. Place a CD (Audio or CD-R/CD-RW containing MP3 files) with the text up in the CD compartment.
3. Close the CD compartment by pressing [OPEN/CLOSE] (11).
4. Set the function switch (15) in position **CD/USB/SD**.
5. After a little while the total amount of tracks are shown in the display.
6. Press once or multiple times on [FOLDER] (4) to choose the [FOLDER] you want to play. The [FOLDER] name is shown on the display.
7. Use **I◀◀** and **▶▶I** to select a desired track in the chosen [FOLDER].
8. Press [PLAY/PAUSE/STOP] (2) to start playing.
9. Press [PLAY/PAUSE/STOP] (2) to temporarily stop the playing. Current track number blinks in the display. Press [PLAY/PAUSE/STOP] (2) to continue playing.
10. Press and hold [PLAY/PAUSE/STOP] (2) to stop the playing.

Remarks

- The sound quality on MP3 files can vary depending on the CD or the quality of the recording.
- The time for the device to load an MP3 disc is usually longer than for a regular CD.

Display titles (via the remote control)

- During playing of MP3 files, press once on the [INFO] button on the remote to show or hide the ID3 information of the current track.
- If no information is available for the track the text “NONE” or “UNKNOWN” is shown on the display.

Search track after title (via the remote)

You can search for a track giving its title/name.

1. At stopped playing press the button [FIND] once on the remote.
2. Use **I◀◀** and **▶▶I** to browse among the tracks in alphabetical order.
3. Press [PLAY/PAUSE/STOP] (2) to start playing.

Search folder (via the remote)

You can search for a folder giving the title/name.

1. At stopped playing press the button [FIND] twice on the remote.
2. Use **I◀◀** and **▶▶I** to browse among the folders in alphabetical order.
3. Press [PLAY/PAUSE/STOP] (2) twice to start playing the tracks of the selected folder.

Remarks.The display can only show symbols from the English alphabet.

Advanced functions (CD/MP3)

Repeated playing

Press once or multiple times on [REP/INTRO/RAN] (5) to repeat a track, album/catalogue (only MP3) or a full CD.

A symbol for repeated playing  indicates which kind of playing that is activated.

Random playing

Press once or multiple times on [REP/INTRO/RAN] to activate random playing. "RANDOM" is indicated on the display when the function is activated.

Press again on [REP/INTRO/RAN] or [STOP] to deactivate random playing.

Intro (play the beginning of a track)

To save time when you search for a track the first 10 seconds are played.

- Press once or multiple times on [REP/INTRO/RAN] (5) to start the playing with the intro function activated. "INTRO" is indicated on the display when the function is activated.

Programmed playing (via the remote)

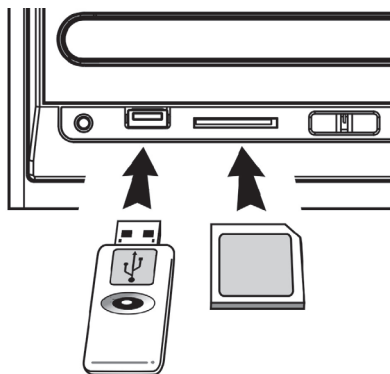
Up to 32 tracks can be programmed in optional order.

1. Stop the playing by pressing [STOP].
2. Press [PROGRAM] on the remote. "PROG", program number and track number is shown in the display.
3. Use **I◀◀** or **▶▶I** to choose the track that should be programmed.
4. Confirm by pressing [PROGRAM] once. The track number now blinks on the display.
5. Repeat step 3 and 4 to programme more tracks.
6. Press [PLAY/PAUSE/STOP] to start playing your list.
7. Press [STOP] to stop your playing and press [STOP] twice to clear the program.

Play MP3 or WMA files from a USB memory or memory card

The device can play MP3 and WMA files from a USB memory or memory card of the type SD or MMC.

1. Insert a USB memory/memory card according to the figure. Make sure to turn the USB memory/memory card right to make sure the connector is not damaged. Always push the USB memory/memory card straight in without twisting it.
2. Set the function switch (15) in position **CD/USB/SD** and then push [SOURCE] (6) to choose **USB** (USB memory) or **CARD** (memory card). The display indicated selected source, type of sound format and the total number of tracks.



3. After a little while the total amount of tracks are shown in the display.
4. Press once or multiple times on [FOLDER] (4) to choose the folder you want to play. The folder name is shown on the display.
5. Use **I◀◀** and **▶▶I** to select a desired track in the chosen folder.
6. Press [PLAY/PAUSE/STOP] (2) to start playing.
7. Press [PLAY/PAUSE/STOP] (2) to temporarily stop the playing. Current track number blinks in the display. Press [PLAY/PAUSE/STOP] (2) to continue playing.
8. Press and hold [PLAY/PAUSE/STOP] (2) to stop the playing.

Record from CD to MP3 on USB memory or memory card

Preparations

- Insert a USB memory in the USB connector or a memory card in the memory card connector.
- Set the function switch (15) in a position **CD/USB/SD** and insert the CD you want to record from.

Record a track

1. Start the playing of the CD track you want to record from.
2. Press [RECORD] (9) to start the recording.
3. The recording automatically stops when the track is over.

Record an entire CD

1. Press [RECORD] (9) to start the recording.
2. The recording stops when the entire CD has been played. The device automatically separates the tracks on the USB card/memory card.

Record from the record player to MP3**Preparations**

- Insert a USB memory in the USB connector or a memory card in the memory card connector.
- Set the function switch (15) in position **PHONO** and put on the record you want to record from (see the chapter *Using the record player*).

Record a track or an entire record

1. Start the playing of the track or tracks on the LP record you want to record on the USB memory/memory card.
2. Then press [RECORD] (9) to start the recording (all the tracks are saved as a complete MP3 file until the recording is shut off manually).
3. To divide the recording into several files, do the following: Press [TS] (on the remote) once to insert a pause and create a new file where the next track should begin recording. Use the same procedure for all tracks you wish to have as a separately recorded file. Every time a new file is created the "PHONO" symbol will flash on the display.
N.B. This must be done during the recording process.
4. When you have recorded the desired tracks, press and hold [RECORD] (9) to stop recording.

Set the recording quality (via the remote)

The quality of the recording to MP3 can be set between 32 and 256 kbps. The highest quality also means a larger file.

1. Turn function switch (15) to position **PHONO**.
2. Press the button [INFO] on the remote. The display shows set recording quality.
3. Use |◀◀ and ▶▶| to select the desired recording quality. Confirm by pushing [INFO].

Connect an external amplifier

When the record player is delivered with speakers it can be used alone without amplifier. It can also be connected to an external amplifier via the built-in low-level output (27) since it has a built-in RIAA amplifier.

Connection is made with an RCA cable to the low-level output (27) on the back of the device and to the AUX input on the amplifier.

If the record player is connected to a stereo amplifier, consider the following:

- Since the record player has a built-in RIAA amplifier it should not be connected to the amplifier's PHONO outlet, but to an AUX or LINE IN output. If connected to a PHONO output the signal (primarily the bass) is overdriven with bad sound as a result.
- When the record player has been connected to an external amplifier the sound will also come out of the connected speakers.

The record player can also be connected directly to LINE IN on the computer's sound card with an adaptor cable from 2x RCA to 3.5 mm stereo plug.

Headphone outlet

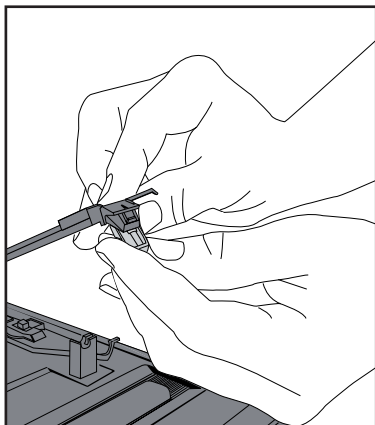
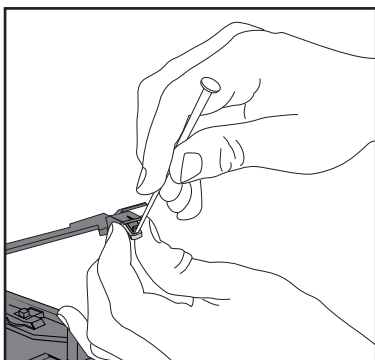
To the headphone outlet on the front of the device a pair of headphones with 3.5 mm stereo plug be connected. The device's built-in speakers and the low-level output are automatically lowered when the headphones are connected.

Care and Maintenance

- Clean dusty records with a record brush.
- Always fold down the cover when the record player is not in use. This is to prevent that dust is collected on the turntable and pickup needle.
- The record player can be wiped with a lightly moistened cloth.

Changing of pickup needle

1. Hold the pickup needle with one hand and push down a little screw driver in the front edge between the pickup and the needle. Carefully bend the screw driver backwards according to the figure which will remove the needle.
2. Attach a new needle by attaching it to the rear edge first. Thereafter attach it to the front edge.



Disposal

Follow local ordinances when disposing of this product. If you are unsure about how to dispose of this product contact your municipality.

Specifications

Mains Supply	230 V AC, 50 Hz
Record player speed	33/45 RPM (adjustable)
Frequency area radio	87.5 – 108 MHz (FM) 540 – 1600 kHz (AM)
Bitrate, MP3	32 – 256 kbps
Bitrate, WMA	32 – 320 kbps
Size	320 x 270 x 165 mm (W x H x D)

Skivspelare med radio, CD/MP3 & USB/SD

Art.nr: 38-2767 Modell: TCD-982WE

Läs igenom hela bruksanvisningen före användning och spara den sedan för framtida bruk. Vi reserverar oss för ev. text- och bildfel samt ändringar av tekniska data. Vid tekniska problem eller andra frågor, kontakta vår kundtjänst (se adressuppgifter på baksidan).

Säkerhet

- Produkten får endast repareras av kvalificerad servicepersonal.
- Produkten får inte demonteras eller ändras.
- Placera inte produkten så att den kan falla ner i vatten eller annan vätska. Ställ inte några föremål som innehåller vätska på produkten, t.ex. blomvas eller läskedryck.
- Stäng av eventuell stand-by funktion om natten eller när du reser bort.
- Täck inte över anläggningen. Tillräcklig ventilation, med ett minsta avstånd på 15 cm mellan ventilationshålen och omgivande ytor, är nödvändig för att förhindra att anläggningen blir för varm.
- Placera inte anläggningen i en fuktig, dammig miljö eller där det förekommer starka vibrationer.
- Långvarig exponering av hög ljudvolym från hörlurar kan orsaka skador på din hörsel.

Varning! Öppna inte höljet!
Farlig spänning finns oskyddat på komponenter inuti produktens hölje, kontakt med dessa kan leda till brand eller ge elektriska stötar.



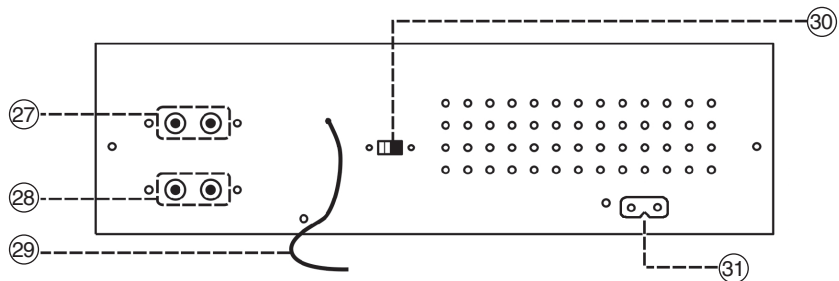
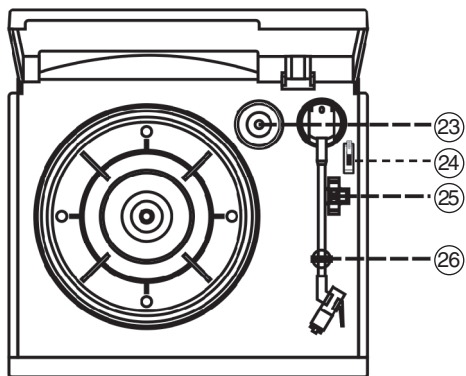
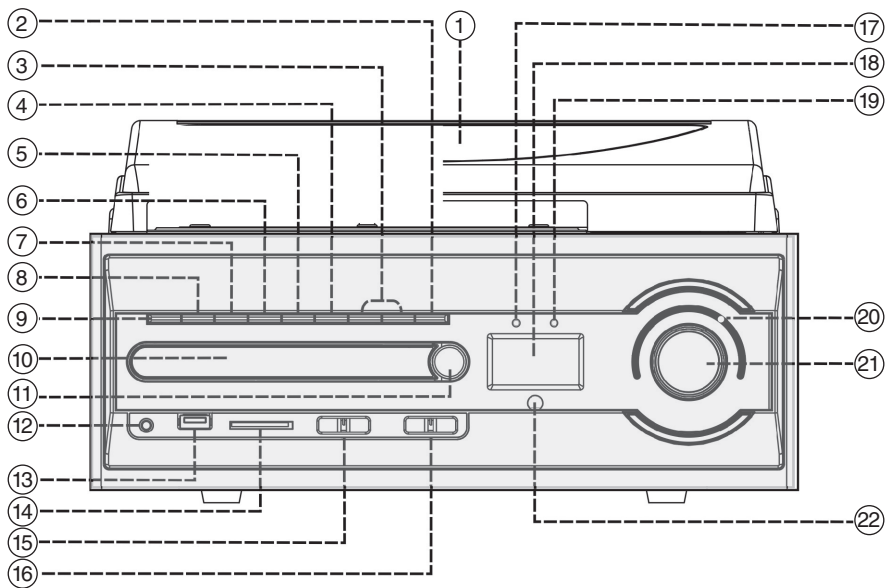
Vid CD-spelare KLASS 1 LASERAPPARAT

Varning! Öppna inte höljet! Osynlig laserstrålning som kan orsaka ögonskador. Rikta inte blicken in mot strålen och titta inte direkt på den genom optiska instrument.



Knappar och funktioner

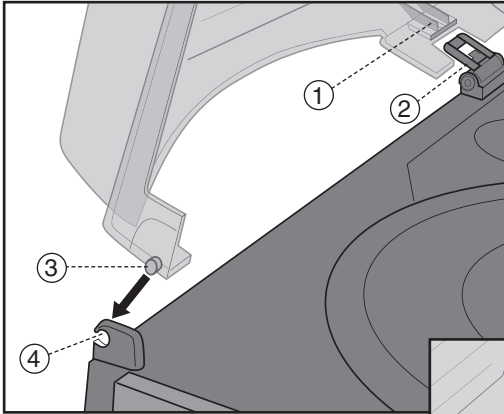
1. Lock
2. ►||/■ (PLAY/PAUSE/STOP) – Spela upp/Pausar eller stoppar cd-uppspelningen
3. I◀◀/▶▶I – Väljer nästa eller föregående spår vid cd-uppspelning
4. FOLDER UP – Byt katalog/mapp (vid mp3-uppspelning)
5. REP/INTRO/RAN – Repetition/Intro/Slumpmässig uppspelning
6. SOURCE – Välj källa
7. Volym upp (+)
8. Volym ner (-)
9. RECORD – Inspelning till USB-minne/minneskort
10. Cd-fack
11. OPEN/CLOSE – Knapp för öppning av cd-facket
12. Hörlursuttag 3,5 mm
13. Anslutning för USB-minne
14. Anslutning för minneskort SD/MMC
15. POWER/FUNCTION – Funktionsomkopplare
16. BAND – Bandomkopplare (radio)
17. Funktionsindikator
18. LCD-display
19. Indikator vid FM-stereomottagning
20. Frekvensindikator
21. TUNING – Frekvensväljare
22. IR-mottagare för fjärrkontroll
23. Skivpuck
24. Lyftspak för tonarm
25. Varvtalsomkopplare 33/45 v/min
26. Pickup-hållare
27. Lågnivåutgång
28. Anslutning för högtalare (höger/vänster)
29. FM-antenn
30. Omkopplare för "Auto stop"
31. Uttag för nätsladd



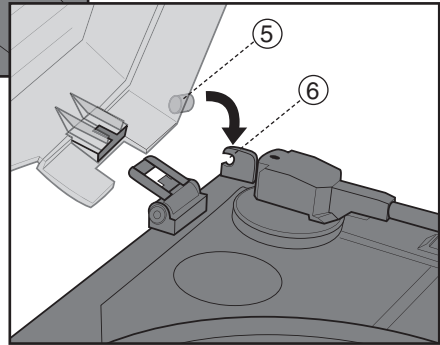
Montering & installation

Montering av locket

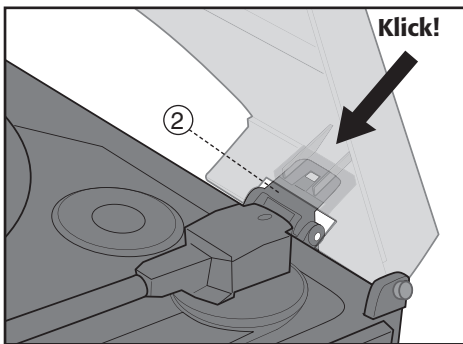
1. Se till att gångjärnet (2) är vikt helt bakåt.



2. Passa in spåret i locket (1) på gångjärnet (2), men inte hela vägen ner.



3. Sätt först locket vänstra pigg (3) i skivspelarens vänstra fäste (4) och tryck sedan fast locket högra pigg (5) försiktigt i skivspelarens högra fäste (6).



4. Tryck samtidigt ner locket på gångjärnet (2) tills gångjärnet låst fast och ett klick hörs.

Obs!

Tryck försiktigt fast locket på skivspelarens sidofästen. Felaktig montering kan skada skivspelarens sidofästen.

Anslutning av högtalare

- Anslut höger och vänster högtalare till höger (R) och vänster (L) högtalarutgång (28) på apparatens baksida.

Anslutning till elnätet

1. Anslut nätsladden till ett vägguttag. Kontrollera att spänningen (V), som finns angiven på märkskylten på baksidan av anläggningen är densamma som i ditt lokala elnät (230 V AC, 50 Hz). Rådfråga återförsäljaren eller ett serviceställe om så inte är fallet.
2. För att helt stänga av strömmen, dra ur stickproppen ur vägguttaget. Dra även ur stickproppen ur vägguttaget vid kraftiga åskväder för att skydda anläggningen.

Använda skivspelaren

1. Avlägsna nålskyddet från tonarmen.
2. Sätt funktionsomkopplaren (15) i läge **PHONO** för att slå på skivspelaren.
3. Placera en skiva på skivtallriken. Vissa 45-varvsskivor har stort centrumhål och behöver då skivpucken (23) för att kunna spelas.
4. Välj rätt hastighet för skivan med varvtalsomkopplaren (25).
5. Lyft och för tonarmen över skivan. Nu ska skivtallriken börja snurra.
6. Sänk försiktigt ner tonarmen vid början på önskat spår.
7. Avspelningsen av skivan har nu börjat. Justera volymen till önskad nivå med volymkontrollerna (7 & 8).
8. Lyft tonarmen tillbaka till pickuphållaren när avspelningsen är avslutad. Tallriken slutar att snurra.

Notera:

Vissa skivor har slutindikeringen utanför skivspelarens "auto-stop" -område. Detta medför att vissa skivor slutar spela redan innan skivans sista spår. Detta kan avhjälpas genom att sätta omkopplaren [Auto stop] (30) i läge **OFF**.

Obs! Skivan kommer att fortsätta snurra även när sista spåret har spelats. För att stoppa skivan, sätt omkopplaren [Auto stop] (30) i läge **ON** eller ställ funktionsomkopplaren (15) i läge **OFF**.

Lyssna på radion

FM

1. Sätt funktionsomkopplaren (16) i läge **FM** (mono) eller **FM-ST** (stereo).
2. Ställ in önskad frekvens med frekvensväljaren (21).
3. Placera trådanterren (29) på lämpligt sätt tills bästa mottagning erhålls.
4. Justera volymen till önskad nivå med volymknapparna (7 & 8).

AM

1. Sätt funktionsomkopplaren (16) i läge **AM**.
2. Ställ in önskad frekvens med frekvensväljaren (21).
3. Justera volymen till önskad nivå med volymknapparna (7 & 8).

Tips för bättre mottagning

AM: Apparaten har en inbyggd antenn för AM-mottagning. Mottagningen kan påverkas genom att vrida eller flytta på apparaten.

FM: Placera trådanterren (29) på lämpligt sätt tills bästa möjliga mottagningen erhålls. Antennen bör vara fullt utrullat och utsträckt för bäst mottagning.

Spela en cd-skiva

1. Öppna cd-facket genom att trycka på [OPEN/CLOSE] (11).
2. Placera en cd-skiva (ljudskiva eller CD-R/CD-RW innehållande MP3-filer) med etiketten vänd uppåt i cd-facket.
3. Stäng cd-facket genom att trycka på [OPEN/CLOSE] (11)
4. Sätt funktionsomkopplaren (15) i läge **CD/USB/SD**.
5. Efter en kort stund visar displayen det totala antalet spår på skivan.
6. Tryck på [PLAY/PAUSE/STOP] (2) för att starta uppspelningen. Det första spåret spelas upp.
7. För att tillfälligt stoppa uppspelningen, tryck igen på [PLAY/PAUSE/STOP] (2). Aktuellt spårnummer blinkar i displayen. Tryck åter på [PLAY/PAUSE/STOP] (2) för att fortsätta uppspelningen.
8. För att stoppa avspelingen, tryck och håll in [PLAY/PAUSE/STOP] (2).

Välja ett annat spår

Under uppspelningen eller i pausläget kan du använda **⏮** eller **⏭** (3) för att välja ett annat spår.

1. Tryck en gång kort på **⏭** för att komma till nästa spår, eller tryck upprepade gånger tills det önskade spårnumret visar i displayen.
2. Tryck en gång kort på **⏮** för att återgå till början på det spår som just spelas. Tryck kort mer än en gång för att komma till tidigare spår.

Finna ett avsnitt i ett spår

1. Tryck och håll in **I◀◀** eller **▶▶I** för att söka ett avsnitt i ett spår. Spåret spelas nu med hög hastighet och låg volym.
2. Släpp knappen när du hör det avsnitt du söker. Den normala avspelingen fortsätter.

Spela en cd-skiva innehållande MP3- eller WMA-filer

1. Öppna cd-facket genom att trycka på [OPEN/CLOSE] (11).
2. Placera en cd-skiva (ljudskiva eller CD-R/CD-RW innehållande MP3-filer) med etiketten vänd uppåt i cd-facket.
3. Stäng cd-facket genom att trycka på [OPEN/CLOSE] (11).
4. Sätt funktionsomkopplaren (15) i läge **CD/USB/SD**.
5. Efter en kort stund visar displayen det totala antalet spår på skivan.
6. Tryck en eller flera gånger på [FOLDER] (4) för att välja den katalog du vill spela upp. Katalognamnet visas i displayen.
7. Använd **I◀◀** och **▶▶I** för att välja önskat spår i den valda katalogen.
8. Tryck på [PLAY/PAUSE/STOP] (2) för att starta uppspelningen.
9. För att tillfälligt stoppa uppspelningen, tryck igen på [PLAY/PAUSE/STOP] (2). Aktuellt spårnummer blinkar i displayen. Tryck åter på [PLAY/PAUSE/STOP] (2) för att fortsätta uppspelningen.
10. För att stoppa avspelingen, tryck och håll in [PLAY/PAUSE/STOP] (2).

Anm.

- Ljudkvaliteten på MP3-filer kan variera beroende på skivans eller inspelningens kvalitet.
- Tiden för apparaten att läsa in en MP3-skiva tar vanligtvis längre tid än en vanlig skiva.

Visa låtnamn (via fjärrkontrollen)

- Under uppspelning av MP3-filer, tryck en gång på knappen [INFO] på fjärrkontrollen för att visa eller dölja ID3-informationen om det aktuella spåret.
- Finns ingen information tillgänglig för det aktuella spåret visas istället texten "NONE" eller "UNKNOWN" i displayen.

Sök låt efter titel (via fjärrkontrollen)

Du kan söka en låt efter dess titel/namn.

1. Vid stoppad uppspelning, tryck en gång på knappen [FIND] på fjärrkontrollen.
2. Använd |◀◀ och ▶▶| för att bläddra bland låtarna i alfabetisk ordning.
3. Tryck på [PLAY/PAUSE/STOP] (2) två gånger för att starta uppspelningen av den valda låten.

Sök katalog (via fjärrkontrollen)

Du kan söka en katalog efter dess titel/namn.

1. Vid stoppad uppspelning, tryck två gånger på knappen [FIND] på fjärrkontrollen.
2. Använd |◀◀ och ▶▶| för att bläddra bland katalogerna i alfabetisk ordning.
3. Tryck på [PLAY/PAUSE/STOP] (2) för att starta uppspelningen av låtarna i den valda katalogen.

Anm. Displayen kan endast visa tecken ur det engelska alfabetet.

Avancerade funktioner (CD/MP3)

Repeterad avspelning

Tryck en eller upprepade gånger på [REP/INTRO/RAN] (5) för att repetera ett spår, album/katalog (endast MP3) eller en hel skiva.

En symbol för repeterad uppspelning  visar vilken typ av uppspelning som är aktiverad.

Sluppmässig avspelning

Tryck en eller upprepade gånger på [REP/INTRO/RAN] för att aktivera sluppmässig avspelning. "RANDOM" visas i displayen när funktionen är aktiverad.

Tryck åter på [REP/INTRO/RAN] eller på [STOP] för att avaktivera sluppmässig avspelning.

Intro (spela upp början på spår)

För att spara tid när du söker en viss låt spelas de 10 första sekunderna upp i en följd.

- Tryck en eller upprepade gånger på [REP/INTRO/RAN]**D** (5) för att starta uppspelningen med introfunktionen aktiverad. "INTRO" visas i displayen när funktionen är aktiverad.

Programmerad uppspelning (via fjärrkontrollen)

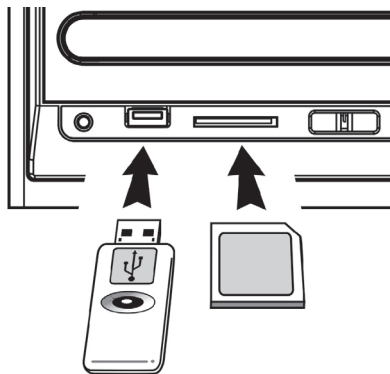
Upp till 32 spår kan programmeras i valfri ordning.

1. Stoppa uppspelningen genom att trycka på [STOP].
2. Tryck en gång på [PROGRAM] på fjärrkontrollen. "PROG", programnummer samt spårnummer visas i displayen.
3. Använd **◀◀** och **▶▶** för att välja det spår som ska programmeras.
4. Bekräfta genom att trycka en gång på [PROGRAM]. Spårnumret blinkar nu i displayen.
5. Repetera steg 3 och 4 för att programmera fler spår.
6. Tryck på [PLAY/PAUSE/STOP] för att starta avspelningen i den ordning du nyss programmerat.
7. Tryck på [STOP] för att stoppa avspelningen och tryck på [STOP] två gånger för att rensa programminnet.

Spela upp MP3- eller WMA-filer från ett minneskort eller USB-minne

Apparaten kan spela upp MP3- och WMA-filer från ett USB-minne eller ett minneskort av typen SD eller MMC.

1. Sätt i ett USB-minne/minneskort i enligt bilden. Se till att vända USB-minnet/minneskortet rätt för att inte skada kontakten. Skjut alltid USB-minnet/minneskortet rakt in utan att böja det.
2. Sätt funktionsomkopplaren (15) i läge **CD/USB/SD** och tryck sedan på [SOURCE] (6) för att välja källa, **USB** (USB-minne) eller **CARD** (minneskort). Displayen indikerar vald källa, typ av ljudformat samt totala antalet spår.



3. Efter en kort stund visar displayen det totala antalet låtar på skivan.
4. Tryck en eller flera gånger på [FOLDER] (4) för att välja den katalog du vill spela upp. Katalognamnet visas i displayen.
5. Använd **◀◀** och **▶▶** för att välja önskat spår i den valda katalogen.
6. Tryck på [PLAY/PAUSE/STOP] (2) för att starta uppspelningen.
7. För att tillfälligt stoppa uppspelningen, tryck igen på [PLAY/PAUSE/STOP] (2). Aktuellt spårnummer blinkar i displayen. Tryck åter på [PLAY/PAUSE/STOP] (2) för att fortsätta uppspelningen.
8. För att stoppa avspelningen, tryck och håll in [PLAY/PAUSE/STOP] (2).

Spela in från cd till MP3 (USB-minne eller minneskort)

Förberedelser

- Sätt i ett USB-minne i USB-anslutningen eller ett minneskort i minneskort-anslutningen.
- Sätt funktionsomkopplaren (15) i läge **CD/USB/SD** och lägg i den cd-skiva du vill spela in från.

Spela in ett spår

1. Starta uppspelningen av det spår på cd-skivan som du vill spela in.
2. Tryck därefter på [RECORD] (9) för att starta inspelningen.
3. Inspelningen stannar automatiskt när spåret är slut.

Spela in en hel skiva

1. Tryck på [RECORD] (9) för att starta inspelningen.
2. Inspelningen stannar när hela skivan spelats. Apparaten delar automatiskt upp spåren på USB-minnet/minneskortet

Spela in från skivspelaren till MP3 (USB-minne eller minneskort)

Förberedelser

- Sätt i ett USB-minne i USB-anslutningen eller ett minneskort i minneskort-anslutningen.
- Sätt funktionsomkopplaren (15) i läge **PHONO** och lägg på den skiva du vill spela in från (se avsnitt *Använda skivspelaren*).

Spela in ett spår eller en hel skiva

1. Starta uppspelningen av det eller de spår på LP-skivan som du vill spela in på USB-minnet/minneskortet.
2. Tryck därefter på [RECORD] (9) för att starta inspelningen (samtliga spår sparas som en hel MP3-fil tills inspelningen avbryts manuellt).
3. För att dela upp en inspelning i flera filer, gör enligt följande: Tryck en gång på [TS] (på fjärrkontrollen) för att infoga en paus och skapa en ny fil där den nästa spår kommer att spelas in, gör lika på alla ställen där du vill dela upp inspelningen. Varje gång som en ny fil skapas blinkar "PHONO" en gång på displayen.
Obs! Detta måste göras under inspelningen.
4. När du spelat in önskade spår, tryck och håll in [RECORD] (9) för att stoppa inspelningen.

Ställ inspelningskvalitet (via fjärrkontrollen)

Kvaliteten på inspelningen till MP3 kan ställas in mellan 32 och 256 kbps. Högre inspelningskvalitet innebär även större filstorlek.

1. Sätt funktionsomkopplaren (15) i läge **PHONO**.
2. Tryck knappen på [INFO] på fjärrkontrollen. Displayen visar inställd inspelningskvalitet.
3. Använd |◀◀ och ▶▶| för att välja inspelningskvalitet. Bekräfta med ett tryck på [INFO].

Ansluta en extern förstärkare

Då skivspelaren levereras med egna högtalare kan den användas ensam utan förstärkare. Den kan även anslutas till en extern förstärkare via den inbyggda lågnivåutgången (27) då den har inbyggd RIAA-förstärkare.

Anslutning sker med en RCA-kabel till lågnivåutgången (27) på apparatens baksida och till AUX-ingången på förstärkaren.

Om skivspelaren ansluts till en stereoförstärkare, tänk på följande:

- Eftersom skivspelaren har inbyggd RIAA-förstärkare så skall den ej anslutas till förstärkarens PHONO-uttag, utan till ett AUX- eller LINE IN-uttag. Ansluts den till ett PHONO-uttag blir signalen (främst basen) överstyrd, med resultat att det blir dåligt ljud.
- När skivspelaren anslutits till extern förstärkare kommer ljudet även ur de anslutna högtalarna.

Skivspelaren kan även anslutas direkt till LINE IN på en dators ljudkort med en adapterkabel från 2 x RCA till 3,5 mm stereopropp.

Hörlursuttag

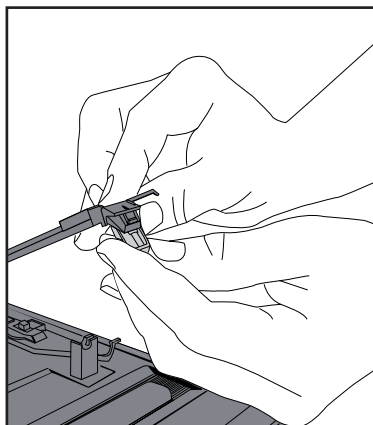
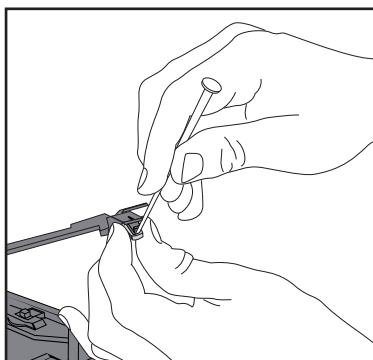
Till hörlursuttaget på fronten av apparaten kan ett par hörlurar med 3,5 mm stereopropp anslutas. Apparaten inbyggda högtalare, samt lågnivåutgången, dämpas automatiskt när hörlurarna ansluts.

Skötsel och underhåll

- Gör ren dammiga skivor med en skivborste.
- Fäll alltid ned locket när skivspelaren inte används. Detta för att förhindra att damm samlas på skivtallrik och nål.
- Skivspelaren kan torkas med en lätt fuktad trasa.

Byte av nål

1. Håll i pickupen med ena handen och tryck ner en liten spårmejsel i framkanten mellan pickupen och nålen. Bänd mejseln försiktigt bakåt enligt bilden så att nålen lossnar.
2. Sätt i en ny nål genom att trycka fast nålen i bakkanten först. Tryck därefter fast den i framkanten.



Avfallshantering

När du ska göra dig av med produkten ska detta ske enligt lokala föreskrifter. Är du osäker på hur du ska gå tillväga, kontakta din kommun.

Specifikationer

Nätspänning	230 V AC, 50 Hz
Hastighet skivspelare	33/45 v/min (valbart)
Frekvensområde radio	87,5 – 108 MHz (FM) 540 – 1600 kHz (AM)
Bitrate, MP3	32 – 256 kbps
Bitrate, WMA	32 – 320 kbps
Storlek	320 x 270 x 165 mm (BxDxH)

Platespiller med radio, CD/MP3 og USB/SD

Art.nr.: 38-2767 Modell: TCD-982WE

Les igjennom hele bruksanvisning før bruk, og ta vare på den for framtidig bruk. Vi reserverer oss mot ev. tekst- og bildefeil, samt forandringer av tekniske data. Ved tekniske problemer eller andre spørsmål, ta kontakt med vårt kundesenter. (se opplysninger om kundesenteret her i denne bruksanvisningen).

Sikkerhet

- Produktet må kun repareres av kvalifisert servicepersonell.
- Produktet må ikke demonteres eller forandres på.
- Plasser ikke produktet slik at det kan falle ned i vann eller annen væske. Plasser aldri produktet i nærheten av gjenstander, som kan forårsake at vann eller annen væske skylles over produktet. Dette gjelder f.eks. blomstervase eller leskedrikk.
- Skru av en eventuell stand-by funksjon om natten, og når du reiser bort.
- Anlegget må ikke tildekkes. Tilstrekkelig ventilasjon, med en minsteavstand på 15 cm mellom ventilasjonshullene og omliggende flater er nødvendig, for å forhindre at anlegget blir for varm.
- Plasser ikke anlegget i et fuktig, støvete miljø, eller der det forekommer sterke vibrasjoner.
- Langvarig eksponering av høyt lydnivå fra headset kan forårsake skader på din hørsel.

Advarsel! Åpne ikke dekselet! Farlig spenning ligger ubeskyttet på komponenter under produktets deksel, og kontakt med disse kan føre til brann eller gi elektrisk støt.



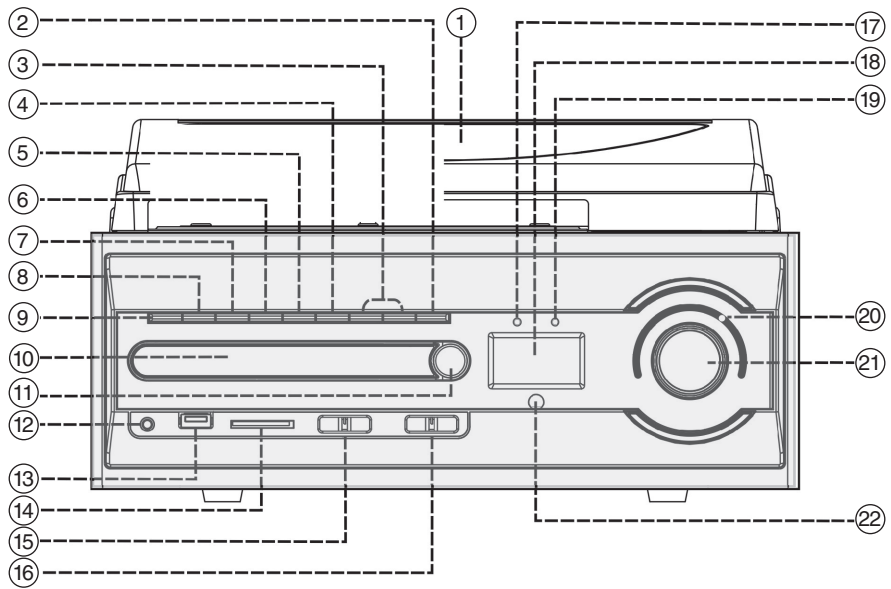
Ved CD-spiller KLASSE 1 LASERAPPARAT

Advarsel! Åpne ikke dekselet! Usynlig laserstråling som kan forårsake øyeskader. Rett ikke blikket mot strålen, og se ikke rett på den gjennom optiske instrumenter.

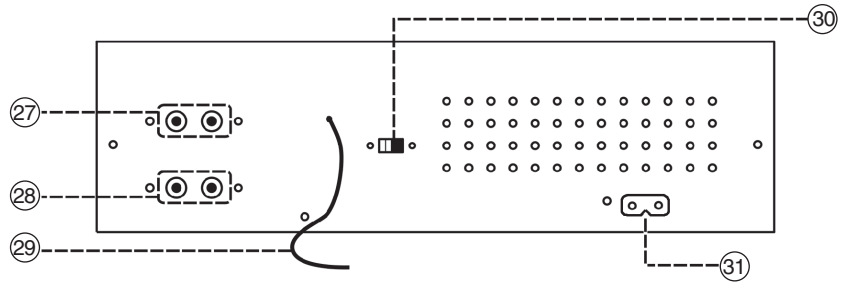
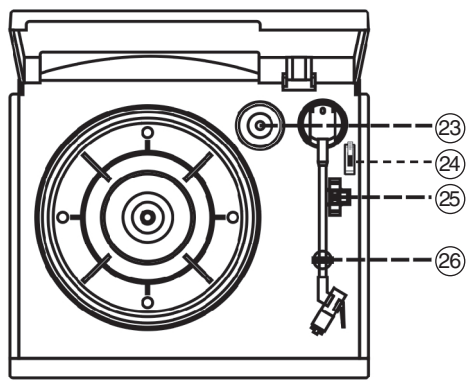


Knapper og funksjoner

1. Lokk
2. ►|| / ■ (PLAY/PAUSE/STOP) – Spille av/Pauser eller stoppe CD-spilling
3. I◀◀ / ▶▶I – Velger neste eller forrige spor av CD-platen, når denne er i bruk
4. FOLDER UP – Skift katalog/mappe (ved MP3-spilling)
5. REP/INTRO/RAN – Repetisjon/Intro/Tilfeldig spilling av spor
6. SOURCE – Velg kilde
7. Volum opp (+)
8. Volum ned (-)
9. RECORD – Innspilling til USB-minne/minnekort
10. CD-skuff
11. OPEN/CLOSE – Knapp for åpning av CD-skuffen
12. Hodetelefonuttak (3,5 mm)
13. Tilkoblingspunkt for USB-minne
14. Tilkoblingspunkt for minnekort (SD/MMC)
15. POWER/FUNCTION – Funksjonsomkobler
16. BAND – Bandomkobler (radio)
17. Funksjonsindikator
18. LCD-display
19. Indikator ved FM-stereomottak
20. Frekvensindikator
21. TUNING – Frekvensvelger
22. IR-mottaker for fjernkontroll
23. Singleadapter
24. Løftespak for tonearm
25. Omdreiningssomkobler 33/45-o/min
26. Pickupholder
27. Lavnivåutgang
28. Tilkobling for høyttaler (høyre/venstre)
29. FM-antenne
30. Omkobler for "Auto stop"
31. Uttak for strømledning



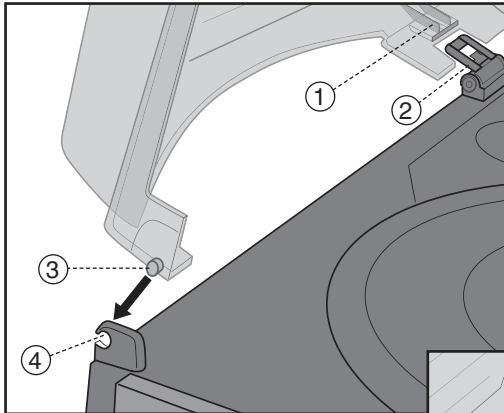
NORSK



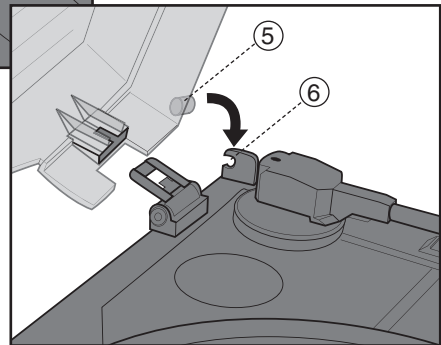
Montering og installasjon

Montering av dekselet

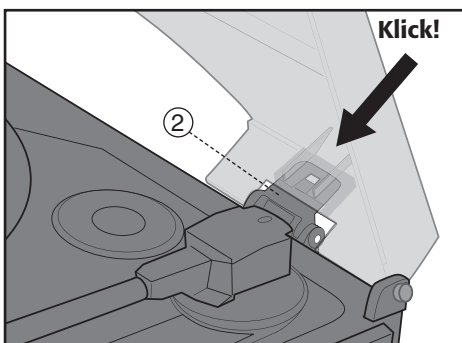
1. Påse at hengslet (2) er bøyd helt bakover.



2. Tilpass sporet på lokket (1) til hengslet (2), men ikke hele veien ned.



3. Sett først lokkets venstre pigg (3) i platespillerens venstre feste (4) og trykk deretter forsiktig fast lokkets høyre pigg (5) på platespillerens høyre feste (6).



4. Trykk lokket ned på hengslet til hengslet festes og du hører ett lite klikk.

Obs!

Trykk lokket forsiktig fast på platespillerens sidefester. Gal montering kan skade platespillerens sidefester.

Tilkobling av høyttalere

- Koble høyre og venstre høyttaler til høyre (R) og venstre (L) høyttalerutgang (28) på apparatets bakside.

Tilkobling til strømmettet

1. Koble strømledningen til et vegguttak. Kontroller at spenningen (V), som er angitt på merkeskiltet på baksiden av anlegget, er den samme som i ditt lokale strømmett (230 V AC, 50 Hz). Spør forhandleren eller ett serviceverksted hvis dette ikke er tilfelle.
2. For å skru strømmen helt av, dra kontakten ut av vegguttaket. Dra også ut støpselet fra vegguttaket ved kraftig tordenvær, for å beskytte anlegget.

Bruk av platespiller

1. Ta av stiftbeskyttelsen fra pickupen.
2. Sett funksjonsvelgeren (15) på **PHONO** for å slå på platespilleren.
3. Plasser en plate på platetallerkenen. Noen singler har stort senterhull. De trenger singleadapteren (23) for å kunne spilles.
4. Velg riktig hastighet for platen med omdreiningsomkobleren (25).
5. Løft og før pickupen over platen. Nå skal platetallerkenen begynne å snurre rundt.
6. Senk pickupen forsiktig ned på begynnelsen av ønsket spor.
7. Avspillingen har nå begynt. Juster volumet til ønsket nivå med volumkontrollene (7 & 8).
8. Løft armen tilbake til pickupholderen når avspillingen er avsluttet. Tallerken slutter å snurre rundt.

NB!

Noen plater har sluttindikasjonen utenfor platespillerens "auto stop" – område. Dette medfører at noen plater slutter å spille allerede før platens siste spor. Dette kan hindres ved at du setter omkobleren [Auto stop] (30) i **OFF**-posisjon.

Obs! Platen vil fortsette å snurre selv når det siste sporet er ferdig. For å stoppe platen, sett omkobleren [Auto stop] (30) på **ON** eller still funksjonsvelgeren (15) på **OFF**.

Høre på radioen

FM

1. Sett funksjonsvelgeren (16) på **FM** (mono) eller **FM-ST** (stereo).
2. Still inn ønsket frekvens med frekvensvelgeren (21).
3. Plasser trådtantennen (29) på passende sted, slik at best mulige forhold mottas.
4. Juster volumet til ønsket nivå med volumkontrollene (7 & 8).

AM

1. Sett funksjonsvelgeren (16) på **AM**.
2. Still inn ønsket frekvens med frekvensvelgeren (21).
3. Juster volumet til ønsket nivå med volumkontrollene (7 & 8).

Tips for beste mulige mottak

AM: Anlegget har en innebygd antenne for AM-mottaking. Mottak kan påvirkes ved å flytte på apparatet.

FM: Plasser trådtantennen (29) på passende sted, slik at best mulige forhold mottas. Antennen bør være helt utrullet og utstrekkt for best mottak.

Spill en CD-plate

1. CD-lokket åpnes ved å trykke på [OPEN/CLOSE] (11).
2. Plasser en CD-plate (lydplate eller CD-R/CD-RW som inneholder MP3-filer), med etiketten vendt oppover, i CD-luken.
3. CD-lokket stenges ved å trykke på [OPEN/CLOSE] (11).
4. Sett funksjonsvelgeren (15) på **CD/USB/SD**.
5. Etter en kort stund viser displayet det totale antallet spor på platen.
6. Trykk på [PLAY/PAUSE/STOP] (2) for å starte avspillingen. Det første sporet spilles av.
7. For å stoppe avspillingen midlertidig, trykk på [PLAY/PAUSE/STOP] (2) igjen. Aktuelt spornummer blinker i displayet. Trykk på [PLAY/PAUSE/STOP] (2) for å fortsette avspillingen.
8. For å stoppe avspillingen, trykk på [PLAY/PAUSE/STOP] (2) og hold den inne.

Velg et annet spor

Under spilling eller i pauseposisjon kan du bruke **◀◀** eller **▶▶** (3) for å velge et annet spor.

1. Trykk kort en gang på **▶▶** for å komme til neste spor, eller trykk gjentatte ganger til det ønskede spornummeret vises i displayet.
2. Trykk kort en gang på **◀◀** for å gå tilbake til begynnelsen av det sporet du nettopp har spilt. Trykk kort mer enn en gang for å komme til tidligere spor.

Finn et avsnitt i et spor

1. Trykk og hold inne **I◀◀** eller **▶▶I** for å søke et avsnitt i et spor. Sporet spilles nå med høy hastighet og lavt volum.
2. Slipp knappen når du hører det avsnittet du søker. Den normale avspillingen fortsetter.

Spill en CD-plate som inneholder MP3- eller WMA-filer

1. CD-lokket åpnes ved å trykke på [OPEN/CLOSE] (11).
2. Plasser en CD-plate (lydplate eller CD-R/CD-RW som inneholder MP3-filer), med etiketten vendt oppover, i CD-luken.
3. CD-lokket stenges ved å trykke på [OPEN/CLOSE] (11).
4. Sett funksjonsvelgeren (15) på **CD/USB/SD**.
5. Etter en kort stund viser displayet det totale antallet spor på platen.
6. Trykk en eller flere ganger på [FOLDER] (4) for å velge den katalog du vil spille fra. Katalognavnet vises i displayet.
7. Bruk **I◀◀** og **▶▶I** for å velge ønsket spor i den valgte katalogen.
8. Trykk på [PLAY/PAUSE/STOP] (2) for å starte avspillingen.
9. For å midlertidig stoppe avspillingen, trykk på [PLAY/PAUSE/STOP] (2) igjen. Aktuelt spornummer blinker i displayet. Trykk på [PLAY/PAUSE/STOP] (2) for å fortsette avspillingen.
10. For å stoppe avspillingen, trykk på [PLAY/PAUSE/STOP] (2) og hold den inne.

Anm.

- Lydkvaliteten på MP3-filer kan variere avhengig av platens og innspillingens kvalitet.
- Vanligvis tar det litt lenger tid å lese av en MP3-plate for spilling enn det det tar å lese en vanlig CD-plate.

Vise navn på låter via fjernkontrollen

- Under spilling av en MP3-fil kan du trykke en gang på knappen [INFO] på fjernkontrollen for å vise eller skjule ID3-informasjonen om det aktuelle sporet.
- Dersom det ikke finnes informasjon tilgjengelig for det aktuelle sporet, vil i stedet teksten "NONE" eller "UNKNOWN" komme opp på displayet.

Å søke låt etter tittel via fjernkontrollen

Du kan søke en låt etter dens tittel/navn.

1. Når spillingen er stoppet, trykk en gang på knappen [FIND] på fjernkontrollen.
2. Bruk **I◀◀** og **▶▶I** for å bla blant låtene i alfabetisk rekkefølge.
3. Trykk på [PLAY/PAUSE/STOP] (2) for å starte avspillingen av den valgte låten.

Søk katalog via fjernkontrollen

Du kan søke en katalog etter dens tittel/navn.

1. Når spillingen er stoppet, trykk to ganger på knappen [FIND] på fjernkontrollen.
2. Bruk **I◀◀** og **▶▶I** for å bla blant katalogene i alfabetisk rekkefølge.
3. Trykk på [PLAY/PAUSE/STOP] (2) to ganger for å starte avspillingen av låtene i den valgte katalogen.

Anm. Displayet kan kun vise tegn/bokstaver fra det engelske alfabetet.

Avanserte funksjoner (CD/MP3)

Repetert avspilling

Trykk en eller gjentatte ganger på [REP/INTRO/RAN] (5) for å repetere et spor, album/katalog (kun MP3) eller en hel plate.

Et symbol for repetert avspilling  viser hvilken type avspilling som er aktivert.

Avspilling i tilfeldig rekkefølge

Trykk en eller gjentatte ganger på [REP/INTRO/RAN] for å aktivere tilfeldig avspilling. "RANDOM" vises i displayet når denne funksjonen er aktiv.

Trykk på [REP/INTRO/RAN] igjen eller på [STOP] for å deaktivere funksjonen for tilfeldig avspilling.

Intro (spille starten på spor)

For å spare tid når du søker etter en spesiell låt, spilles de 10 første sekundene av låtene av.

- Trykk en eller gjentatte ganger på [REP/INTRO/RAN] (5) for å starte avspillingen med introfunksjonen aktivert. "INTRO" vises i displayet når funksjonen er aktivert.

Programmert avspilling via fjernkontrollen

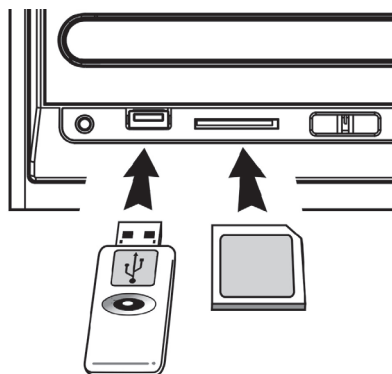
Opp til 32 spor kan programmeres i valgfri rekkefølge.

1. Stopp avspillingen ved å trykke på [STOP].
2. Trykk en gang på [PROGRAM] på fjernkontrollen. "PROG", programnummer samt spornummer vises i displayet.
3. Bruk **I◀◀** og **▶▶I** for å velge det sporet som skal programmeres.
4. Bekreft med ett trykk på [PROGRAM]. Spornummeret blinker nå i displayet.
5. Repeter trinn 3 og 4 for å programmere flere spor.
6. Trykk på [PLAY/PAUSE/STOP] for å starte avspillingen i den rekkefølgen du nettopp har programmert.
7. Trykk på [STOP] for å stoppe avspillingen og trykk på [STOP] to ganger for å rense programmet.

Spill MP3- eller WMA-filer fra et USB-minne eller minnekort

Apparatet kan spille av MP3- og WMA-filer fra et USB-minne eller et minnekort av typen SD eller MMC.

1. Sett i et USB-minne/minnekort som vist på bildet. Påse at du setter USB-minnet/minnekortet riktig vei, så du ikke skader kontakten. Sett alltid USB-minnet/minnekortet rett inn uten å bøye på det.
2. Sett funksjonsomkobleren (15) i posisjon **CD/USB/SD** og trykk deretter på [SOURCE] (6) for å velge kilde, **USB** (USB-minne) eller **CARD** (minnekort). Displayet vil nå indikere valgt kilde, type lydformat og det totale antall spor.



3. Etter en kort stund viser displayet det totale antallet låter på platen.
4. Trykk en eller flere ganger på [FOLDER] (4) for å velge den katalogen du vil spille fra. Katalognavnet vises i displayet.
5. Bruk **I◀◀** og **▶▶I** for å velge ønsket spor i den valgte katalogen.
6. Trykk på [PLAY/PAUSE/STOP] (2) for å starte avspillingen.
7. For å midlertidig stoppe avspillingen, trykk på [PLAY/PAUSE/STOP] (2) igjen. Aktuelt spornummer blinker i displayet. Trykk på [PLAY/PAUSE/STOP] (2) for å fortsette avspillingen.
8. For å stoppe avspillingen, trykk på [PLAY/PAUSE/STOP] (2) og hold den inne.

Spille inn fra CD til MP3 (USB-minne eller minnekort)

Forberedelser

- Plasser et USB-minne i USB-tilkoblingspunktet eller et minnekort i minnekort-tilkoblingen.
- Sett funksjonsomkobleren (15) i posisjon **CD/USB/SD** og legg i den CD-platen du vil spille.

Spille inn et spor

1. Start avspillingen av det sporet på CD-platen, som du vil spille inn.
2. Trykk deretter på [RECORD] (9) for å starte innspillingen.
3. Innspillingen stopper automatisk når sporet er ferdig.

Spille inn en hel plate

1. Trykk på [RECORD] (9) for å starte innspillingen.
2. Innspillingen stopper når hele platen er ferdig spilt. Apparatet deler automatisk opp sporene på USB-minnet/minnekortet.

Spille inn fra platespilleren til MP3 (USB-minne eller minnekort)

Forberedelser

- Plasser et USB-minne i USB-tilkoblingspunktet eller et minnekort i minnekort-tilkoblingen.
- Sett funksjonsomkobleren (15) i posisjon **PHONO** og legg på den platen du vil spille inn fra (se avsnitt *Bruk av platespiller*).

Spille inn et spor eller en hel plate

1. Start avspillingen av det eller de spor på LP-platen som du vil spille inn på USB-minnet/minnekortet.
2. Trykk deretter på [RECORD] (9) for å starte innspillingen (samtlige spor lagres som en hel MP3-fil helt til innspillingen avbrytes manuelt).
3. For å dele opp en innspilling i flere filer, gjør som følger: Trykk en gang på [TS] (på fjernkontrollen) for å legge inn en pause og lag deretter en ny fil der det neste sporet spilles inn. Gjør på samme måte på alle steder der du ønsker å dele opp innspillingen. For hver gang en ny fil lages vil "PHONO" blinke en gang på skjermen. **Obs!** Dette må gjøres under innspillingen.
4. Når du har spilt inn ønsket spor, trykk og hold inne [RECORD] (9) for å stoppe innspillingen.

Still innspillingskvaliteten via fjernkontrollen

Kvaliteten på innspillingen til MP3 kan stilles inn på mellom 32 og 256 kbps. Høyere innspillingskvalitet innebærer også større filstørrelse.

1. Sett funksjonsvelgeren (15) på **PHONO**.
2. Trykk knappen på [INFO] på fjernkontrollen. Displayet viser innstilt innspillingskvalitet.
3. Bruk **I◀◀** og **▶▶I** for å velge innspillingskvalitet. Bekreft med ett trykk på [INFO].

Tilslutt en ekstern forsterker

Siden platespilleren har innebygde høyttalere kan den brukes uten forsterker. Den kan også kobles til en ekstern forsterker via den innebygde lavnivåutgangen (27), da den har innebygd RIAA-forsterker.

Tilkobling foregår med en RCA-kabel til lavnivåutgangen (27) på platespillerens bakside og til AUX-inngangen på forsterkeren.

Hvis platespilleren skal kobles til en stereoforsterker må du huske følgende:

- Fordi platespilleren har innebygd RIAA-forskerker skal den ikke kobles til forsterkerens PHONO-uttak, men til et AUX- eller LINE IN-uttak. Hvis den kobles til et PHONO-uttak blir signalene (især bassen) overstyrt, og lyden blir svært dårlig.
- Når platespilleren kobles til ekstern forsterker, kommer lyden også ut gjennom de tilkoblede høyttalerne.

Platespilleren kan også kobles direkte på LINE IN på lydkortet på en PC, med en adapterkabel fra 2 x RCA til 3,5 mm stereoplugg.

Hodetelefonuttak

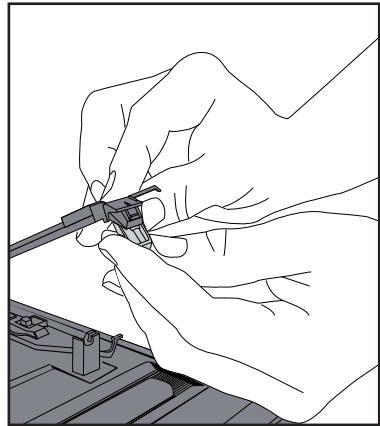
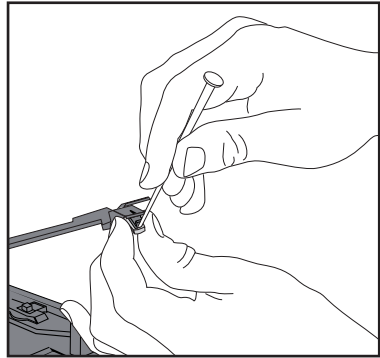
I hodetelefonuttaket, på fronten av platespilleren, kan et par hodetelefoner med 3,5 mm stereoplugg kobles. Platespillerens innebygde høyttalere, samt lavnivåutgangen kobles automatisk ut når hodetelefonene kobles til.

Vedlikehold

- Rengjør støvete plater med en platebørste.
- Lukk alltid dekselet når platespilleren ikke er i bruk. Dette for å forhindre at støv samler seg på platetallerkenen og stifen.
- Platespilleren kan tørkes med en lett fuktet klut.

Bytte av stift

1. Hold i pickupen med den ene hånden og trykk ned en liten skrutrekker i framkanten mellom pickupen og stiften. Bøy skrutrekkeren forsiktig bakover som vist på bildet så stiften løsner.
2. Sett inn en ny stift ved å trykke den ned i bakkant først. Trykk den deretter ned i forkant.



Avfallshåndtering

Når du skal kvitte deg med produktet, skal dette skje i henhold til lokale forskrifter. Er du usikker på hvordan du går fram, ta kontakt med lokale myndigheter.

Spesifikasjoner

Nettspenning:	230 V AC, 50 Hz
Hastighet platespiller:	33/45 o/min (valgfritt)
Frekvensområde radio:	87,5 – 108 MHz (FM) 540 – 1600 kHz (AM)
Bitrate, MP3:	32 – 256 kbps
Bitrate, WMA:	32 – 320 kbps
Størrelse:	320 x 270 x 165 mm (b x d x h)

Levysoitin, jossa radio, cd/mp3 & USB/SD

Tuotenro: 38-2767 Malli: TCD-982WE

Lue käyttöohjeet ennen tuotteen käyttöönottoa. Säilytä käyttöohjeet tulevaa tarvetta varten. Pidätämme oikeuden teknisten tietojen muutoksiin. Emme vastaa mahdollisista teksti- tai kuvavirheistä. Jos laitteeseen tulee teknisiä ongelmia, ota yhteys myymälään tai asiakaspalveluun (yhteystiedot käyttöohjeen lopussa).

Turvallisuus

- Laitteen saa korjata vain valtuutettu huoltoliike.
- Laitetta ei saa purkaa eikä muuttaa.
- Älä sijoita laitetta sellaiseen paikkaan, josta se voi tippua veteen tai muuhun nesteeseen. Älä pane laitteen päälle nesteitä sisältäviä esineitä, kuten maljakoita tai limsapulloja.
- Sammuta mahdollinen valmiustila yön ajaksi ja poistuessasi kotoa.
- Älä peitä laitetta. Riittävä ilmastointi (vähintään 15 cm ilmastointiaukon ja ympäröivän pinnan välillä) on välttämätön, jotta laitteen ylikuumeneminen estetään.
- Älä käytä laitetta kosteissa tai pölyisissä tiloissa tai paikoissa, joissa siihen kohdistuu voimakasta värähtelyä.
- Älä kuuntele kuulokkeista kovaäänistä musiikkia pitkään, se voi vahingoittaa kuuloasi.

Varoitus! Älä avaa laitteen kotelo!
Kotelon sisällä on vaarallista jännitettä sisältäviä suojaamattomia komponentteja, jotka voivat aiheuttaa sähköiskun.



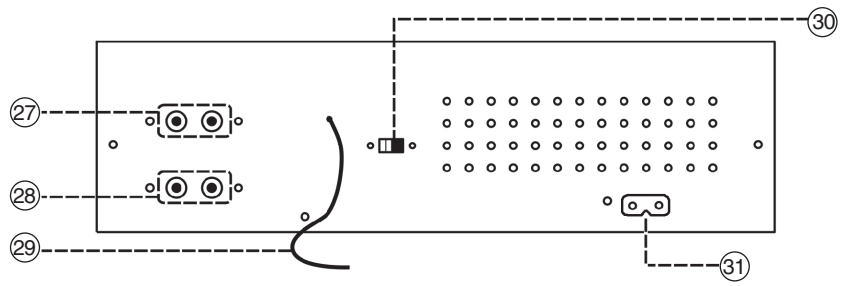
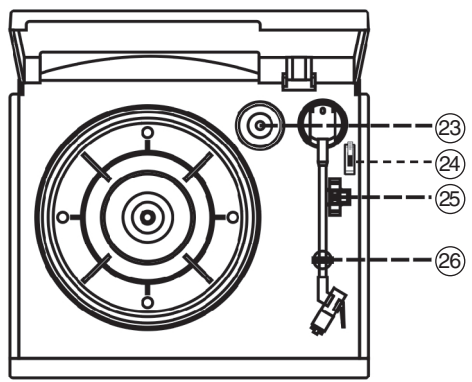
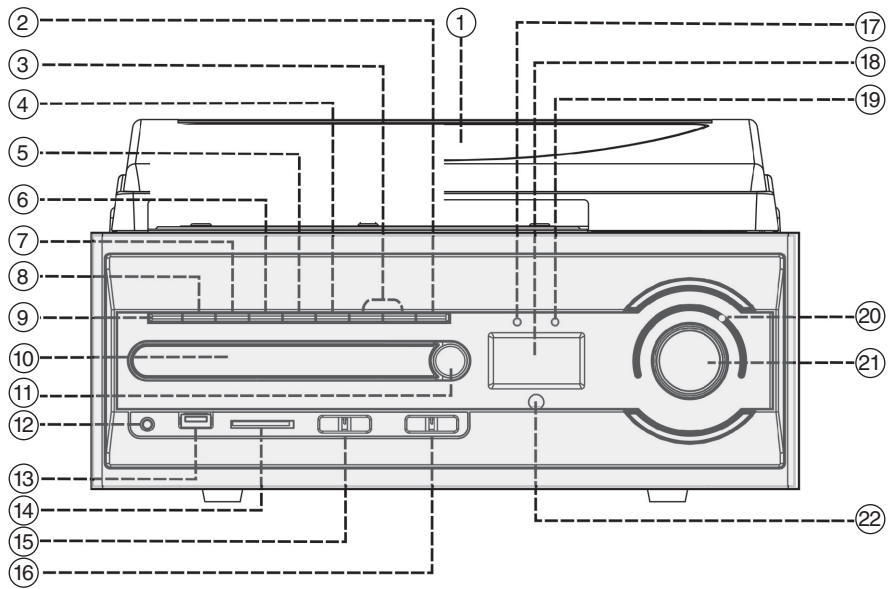
Cd-soitin LUOKAN 1 LASERLAITE

Varoitus! Älä avaa laitteen kotelo! Näkymätön lasersäde voi aiheuttaa silmävaurioita. Älä katso säteeseen edes optisten instrumenttien läpi.



Painikkeet ja toiminnot

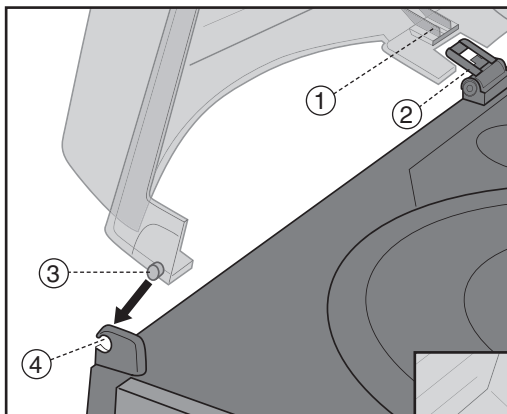
1. Kansi
2. ►|| / ■ (PLAY/PAUSE/STOP) – Cd-levyn toisto, toiston tauko tai lopetus
3. I◀◀ / ▶▶I – Siirry cd-levyllä seuraavaan tai edelliseen raitaan
4. FOLDER UP – Siirry toiseen kansioon (mp3-soittimella)
5. REP/INTRO/RAN – Uudelleentoisto/Intro/Satunnaistoisto
6. SOURCE – Valitse lähde
7. Äänenvoimakkuuden lisäys (+)
8. Äänenvoimakkuuden vähennys (-)
9. RECORD – Tallennus USB-muistiin/muistikortille
10. Cd-luukku
11. OPEN/CLOSE – Cd-lokeron avauspainike
12. Kuulokeliitäntä (3,5 mm)
13. Liitäntä USB-muistille
14. Liitäntä SD/MMC-muistikortille
15. POWER/FUNCTION – Toimintovalitsin
16. BAND – Taajusaluevalitsin (radio)
17. Toiminnon näyttö
18. LCD-näyttö
19. FM-stereovastaanoton merkkivalo
20. Taajuusnäyttö
21. TUNING – Taajuuden valitsin
22. Infrapunavastaanotin kaukosäädintä varten
23. Levysovitin
24. Äänivarrren nostovipu
25. Nopeusvalitsin 33/45 k./min
26. Äänivarrenpidike
27. Matalatasoliitäntä
28. Kaiutinliitännät (oikea/vasen)
29. FM-antenni
30. ”Auto stop” -kytkin
31. Verkkojohdon liitäntä



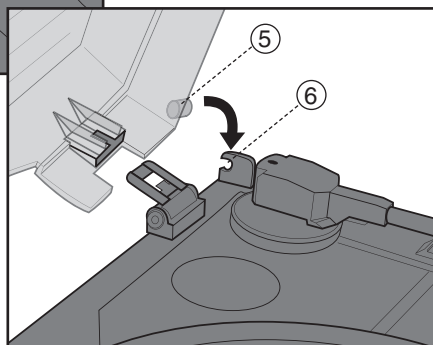
Asennus

Kannen asennus

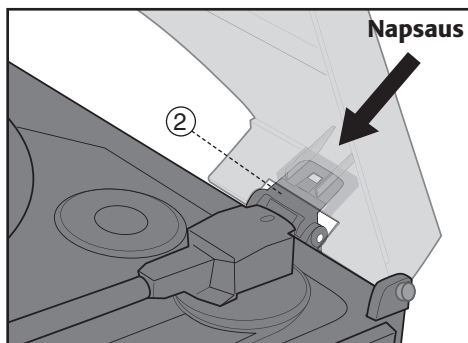
1. Taita sarana (2) täysin taakse.



2. Sovita kannessa oleva ura (1) saranaan (2), mutta älä paina alas asti.



3. Aseta ensin kannen vasen piikki (3) levysoittimen vasempaan kiinnikkeeseen (4) ja paina sen jälkeen kannen oikea piikki (5) varoen oikeaan kiinnikkeeseen (6).



4. Paina samanaikaisesti kanta saranaan (2), kunnes sarana lukittuu ja siitä kuuluu napsaus.

Huom.!

Paina kansi varoen kiinni levysoittimen sivukiinnikkeisiin. Virheellinen asennus saattaa vahingoittaa levysoittimen sivukiinnikkeitä.

Kaiuttimien asennus

- Liitä oikea ja vasen kaiutin oikeaan (R) ja vasempaan (L) ääniliitäntään (28) laitteen takaosassa.

Sähköverkkoon liittäminen

1. Liitä virtajohdon pistoke verkkopistorasiaan. Varmista, että laitteen takaosan arvokilpeen merkitty jännite (V) on sama, kuin sähköverkkosi jännite (230 V AC 50 Hz). Jos jännite on eri, kysy neuvoa myyjältä tai alan ammattilaiselta.
2. Katkaise laitteesta virta kokonaan irrottamalla pistoke pistorasiasta. Irrota pistoke pistorasiasta myös voimakkaalla ukonilmalla.

Levysoitin

1. Poista neulasuoja äänivarresta.
2. Valitse levysoitin asettamalla toimintovalitsin (15) asentoon **PHONO**.
3. Aseta levy levylautaselle. Joissakin 45-kierroksen levyissä on suuri keskireikä, johon sopii levysovitin (23).
4. Valitse oikea soitonopeus valitsimella (25) levyn mukaan.
5. Nosta ja siirrä äänivarsi levyn päälle. Levylautanen alkaa pyöriä.
6. Laske äänivarsi varovasti halutun raidan alkuun.
7. Levyn toisto on alkanut. Säädä äänenvoimakkuus valitsimilla (7 & 8).
8. Sijoita äänivarsi telineeseen, kun haluat lopettaa toiston. Levylautanen lopettaa pyörimisen.

Huom.!

Joissakin levyissä on lopetusmerkki ennen ”auto stop”-aluetta. Tämä tarkoittaa, että jotkin levyt lopettavat soittamisen ennen viimeistä kappaletta. Tämä voidaan estää kytkemällä [Auto stop]-valitsin (30) asentoon **OFF**.

Huom.!

Levysoitin jatkaa pyörimistä viimeisen kappaleen loppumisen jälkeenkin. Kytke tällöin [Auto stop]-valitsin (30) asentoon **ON** tai aseta toimintovalitsin (15) asentoon **OFF**.

Radion kuuntelu

FM

1. Aseta toimintovalitsin (16) asentoon **FM** (mono) tai **FM-ST** (stereo).
2. Valitse taajuus taajuusvalitsimella (21).
3. Sijoita lanka-antenni (29) siten, että saavutat parhaan kuuluvuuden.
4. Säädä äänenvoimakkuus äänenvoimakkuuspainikkeilla (7 & 8).

AM

1. Aseta toimintovalitsin (16) asentoon **AM**.
2. Valitse taajuus taajuusvalitsimella (21).
3. Säädä äänenvoimakkuus äänenvoimakkuuspainikkeilla (7 & 8).

Vinkkejä hyvään vastaanottoon

AM: Laitteessa on sisäinen antenni AM-vastaanottoon. Vastaanottoa voidaan parantaa laitetta siirtämällä.

FM: Sijoita lanka-antenni (29) siten, että saavutat parhaan kuuluvuuden. Antenni on oiottava kokonaan, jotta kuuluvuus olisi paras mahdollinen.

Cd-levyn kuuntelu

1. Avaa cd-lokero painamalla [OPEN/CLOSE] (11).
2. Aseta cd-levy (audiolevy tai MP3-tiedostoja sisältävä CD-R/CD-RW-levy) cd-lokeroon kuvapuoli ylöspäin.
3. Sulje cd-lokero painamalla [OPEN/CLOSE] (11).
4. Aseta toimintovalitsin (15) asentoon **CD/USB/SD**.
5. Näytölle ilmestyy pian levyn raitojen kokonaismäärä.
6. Aloita toisto painamalla [PLAY/PAUSE/STOP] (2). Soitin aloittaa toiston ensimmäisestä raidasta.
7. Keskeytä toisto väliaikaisesti painamalla uudelleen [PLAY/PAUSE/STOP] (2). Pysäytetyn raidan numero vilkkuu näytöllä. Jatka toistoa painamalla [PLAY/PAUSE/STOP] (2).
8. Keskeytä toisto painamalla pohjaan [PLAY/PAUSE/STOP] (2).

Raidan valitseminen

Toiston tai tauon aikana voit valita toisen raidan painamalla **I◀◀** eller **▶▶I** (3).

1. Siirry seuraaviin raitoihin painamalla nopeasti **▶▶I** kerran tai useammin, kunnes haluamasi raidan numero näkyy näytöllä.
2. Siirry toistettavan raidan alkuun painamalla nopeasti **I◀◀**. Siirry edellisiin raitoihin painamalla painiketta nopeasti useita kertoja.

Raidan tietyn kohdan hakeminen

1. Etsi raidan kohta painamalla **I◀◀** tai **▶▶I**. Cd-levyä toistetaan nopeasti ja äänenvoimakkuus on pieni.
2. Päästä painike, kun olet päässyt haluamaasi kohtaan. Normaali toisto jatkuu.

Mp3-/WMA-tiedostoja sisältävän levyn toistaminen

1. Avaa cd-lokero painamalla [OPEN/CLOSE] (11).
2. Aseta cd-levy (audiolevy tai MP3-tiedostoja sisältävä CD-R/CD-RW-levy) cd-lokeroon kuvapuoli ylöspäin.
3. Sulje cd-lokero painamalla [OPEN/CLOSE] (11).
4. Aseta toimintovalitsin (15) asentoon **CD/USB/SD**.
5. Näytölle ilmestyy pian levyn raitojen kokonaismäärä.
6. Valitse haluamasi kansio painamalla [FOLDER] (4) kerran tai useasti. Näytöllä näkyy kansion nimi.
7. Valitse toistettava raita painikkeilla **I◀◀** tai **▶▶I**.
8. Aloita toisto painamalla [PLAY/PAUSE/STOP] (2).
9. Keskeytä toisto väliaikaisesti painamalla uudelleen [PLAY/PAUSE/STOP] (2). Pysäytetyn raidan numero vilkkuu näytöllä. Jatka toistoa painamalla [PLAY/PAUSE/STOP] (2).
10. Keskeytä toisto painamalla pohjaan [PLAY/PAUSE/STOP] (2).

Huom.

- Mp3-tiedostojen äänen laatu saattaa vaihdella tallennuksen tai levyn laadusta riippuen.
- Tavallisimmin laite tunnistaa mp3-tiedostoja sisältävän levyn hitaammin kuin tavallisen cd-levyn.

Kappaleen nimen näyttö (kaukosäätimellä)

- Näytä tai piilota mp3-raidan ID3-tiedot painamalla [INFO]-painiketta toiston aikana.
- Jos raidan tietoja ei ole, lukee näytöllä "NONE" tai "UNKNOWN".

Haku raidan nimellä (kaukosäätimellä)

Voit hakea tiedostoja nimen mukaan.

1. Paina kaukosäätimen [FIND]-painiketta kerran stop-asennossa.
2. Selaa raitoja aakkosjärjestyksessä näppäimillä **I◀◀** ja **▶▶I**.
3. Aloita valitun raidan toisto painamalla [PLAY/PAUSE/STOP] (2).

Haku kansion nimellä (kaukosäätimellä)

Voit hakea kansioita nimen mukaan.

1. Paina kaukosäätimen [FIND]-painiketta kaksi kertaa stop-asennossa.
2. Selaa kansioita aakkosjärjestyksessä näppäimillä **I◀◀** ja **▶▶I**.
3. Aloita valitun kansion raitojen toisto painamalla [PLAY/PAUSE/STOP] (2) kaksi kertaa.

Huom. Näytöllä näkyvät vain englanninkieliset kirjainmerkit.

Muut toiminnot (cd/mp3)

Jatkuva toisto

Paina [REP/INTRO/RAN] (5) kerran tai useasti, kun haluat uudelleentoistaa raidan, albumin/katalogin (mp3) tai koko levyn.

Uudelleentoiston symboli  näyttää toistotavan.

Satunnainen toisto

Aloita satunnaistoisto painamalla [REP/INTRO/RAN] kerran tai useasti.

Satunnaistoiston ollessa aktivoituna näytöllä lukee "RANDOM".

Lopeta satunnaistoisto painamalla [REP/INTRO/RAN] tai [STOP].

Intro (jokaisen raidan alun toisto)

Säästä aikaa ja kuuntele jokaisen raidan 10 ensimmäisen sekunnin toisto.

- Paina [REP/INTRO/RAN] (5) kerran tai useasti, kun haluat aktivoida introiston. Introiston ollessa aktivoituna näytöllä lukee "INTRO".

Ohjelmoitu toisto (kaukosäätimellä)

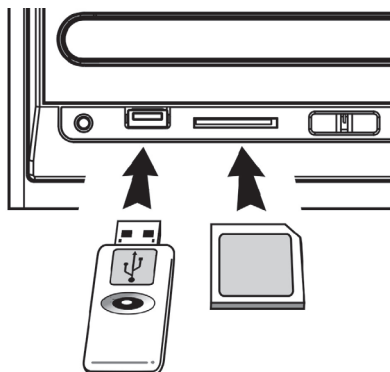
Soitin voidaan ohjelmoida toistamaan jopa 32 raitaa halutussa järjestyksessä.

1. Lopeta toisto painamalla [STOP].
2. Paina kerran kaukosäätimen [PROGRAM]-painiketta. Näytöllä näkyy "PROG", ohjelmanumero ja raidan numero.
3. Valitse ohjelmoitava raita painikkeilla **I◀◀** ja **▶▶I**.
4. Vahvista painamalla kerran [PROGRAM]. Raidan numero vilkkuu näytöllä.
5. Toista kohdat 3 ja 4 muiden raitojen ohjelmoimiseksi.
6. Aloita ohjelmoitu toisto painamalla [PLAY/PAUSE/STOP].
7. Lopeta ohjelmoitu toisto ja poista ohjelmointi painamalla [STOP] ja paina [STOP] kaksi kertaa ohjelman puhdistamiseksi.

Mp3-/WMA-tiedostojen toistaminen USB-muistista tai muistikortilta

Laite toistaa mp3- ja WMA-tiedostoja USB-muistilta tai SD-/MMC-muistikortilta.

1. Aseta USB-muisti/muistikortti laitteeseen kuvan mukaisesti. Varmista, että USB-muisti/muistikortti on oikein päin, jotta kontakti ei vahingoitu. Työnnä USB-muisti/muistikortti suoraan ja taivuttamatta.
2. Säädä toimintovalitsin (15) **CD/USB/SD**-tilaan ja paina [SOURCE] (6). Valitse **USB** (USB-muisti) tai **CARD** (muistikortti). Näytöllä näkyy valittu lähde, äänisuhde ja raitojen kokonaismäärä.



3. Näytölle ilmestyy pian levyn raitojen kokonaismäärä.
4. Valitse haluamasi kansio painamalla [FOLDER] (4) kerran tai useasti. Näytöllä näkyy kansion nimi.
5. Valitse toistettava raita painikkeilla **◀◀** tai **▶▶**.
6. Aloita toisto painamalla [PLAY/PAUSE/STOP] (2).
7. Keskeytä toisto väliaikaisesti painamalla uudelleen [PLAY/PAUSE/STOP] (2). Pysäytetyn raidan numero vilkkuu näytöllä. Jatka toistoa painamalla [PLAY/PAUSE/STOP] (2).
8. Keskeytä toisto painamalla pohjaan [PLAY/PAUSE/STOP] (2).

Mp3:n tallennus cd-levyltä USB-muistille tai muistikortille

Esivalmistelut

- Asenna USB-muisti USB-liitäntään tai muistikortti muistikorttiliitäntään.
- Aseta toimintovalitsin (15) asentoon **CD/USB/SD** ja aseta cd-lokeroon cd-levy, jolta haluat tallentaa.

Raidan tallennus

1. Aloita tallennettavan raidan toisto.
2. Aloita tallennus painamalla [RECORD] (9).
3. Tallennus lakkaa automaattisesti raidan lopussa.

Koko levyn tallennus

1. Aloita tallennus painamalla [RECORD] (9).
2. Tallennus päättyy levyn lopussa. Laite muuttaa USB-muistiin/muistilevylle tallennetut kappaleet automaattisesti erillisiksi tiedostoiksi.

Tallennus levysoittimelta mp3-muotoon

Esivalmistelut

- Asenna USB-muisti USB-liitäntään tai muistikortti muistikorttiliitäntään.
- Aseta toimintovalitsin (15) **PHONO**-asentoon ja aseta levylautaselle levy, jolta haluat tallentaa.

Yhden raidan tai koko levyn tallennus

1. Aloita USB-muistiin/muistikortille tallennettavien LP-levyn raitojen toisto.
2. Aloita tallennus painamalla [RECORD] (9). (Kaikki raidat tallentuvat yhdeksi mp3-tiedostoksi, kunnes keskeytät tallennuksen.)
3. Jos haluat jakaa tallennetut raidat useammiksi tiedostoiksi, toimi seuraavasti: Syötä tauko ja luo uusi tiedosto, johon seuraava raita tallentuu painamalla kerran [TS] (kaukosäätimessä). Tee samalla tavalla kaikissa niissä kohdissa, joissa haluat luoda uuden tiedoston. Joka kerta kun luot uuden tiedoston, vilkkuu teksti "PHONO" kerran näytöllä.
Huom.! Raidat voi jakaa erillisiksi tiedostoiksi ainoastaan tallennuksen aikana.
4. Keskeytä tallennus painamalla [RECORD] (9), kun olet tallentanut haluamasi raidan tai raidat.

Äänityksen laadun valinta (kaukosäätimellä)

Mp3-tiedostojen äänityksen laatu voidaan säätää 32 ja 256 kbps:n välille. Korkealaatuinen äänitys merkitsee suurempia tiedostoja.

1. Aseta toimintovalitsin (15) asentoon **PHONO**.
2. Paina kaukosäätimen [INFO]-painiketta. Näytöllä näkyy valittu äänityksen laatu.
3. Valitse äänityksen laatu näppäimillä **I◀◀** ja **▶▶I**.
Vahvasta valinta painamalla [INFO].

Ulkoisen vahvistimen kytkentä

Levysoittimeen kuuluvat kaiuttimet, eikä se tarvitse erillistä vahvistinta. Laitteessa on sisäinen RIAA-vahvistin. Matalalautuloliitintään (27) voidaan myös liittää ulkoinen vahvistin.

Kytkentä tapahtuu RCA-johdolla matalatasoliitintään (27) levysoittimen takaosaan ja vahvistimen AUX-liitintään.

Ajattele seuraavaa, jos liität levysoittimen vahvistimeen:

- Levysoittimessa on sisäinen RIAA-vahvistin. Siksi sitä ei liitetä vahvistimen PHONO-liitintään, vaan AUX- tai LINE IN -liitintään. Äänentoistosignaali ylioijautuu (pääasiassa basso) ja äänentoiston laatu kärsii, jos liität levysoittimen PHONO-liitintään.
- Kun levysoitin kytketään ulkoiseen vahvistimeen, kuuluu ääni edelleen myös soittimen omista kaiuttimista.

Levysoitin voidaan kytkeä myös suoraan LINE IN -liitintään tietokoneen äänikorttiin 2xRCA-3,5 mm sovitusjohdolla.

Kuulokeliitintä

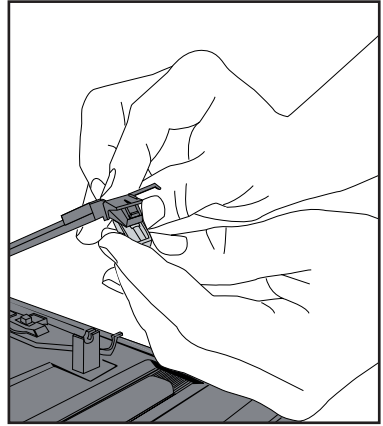
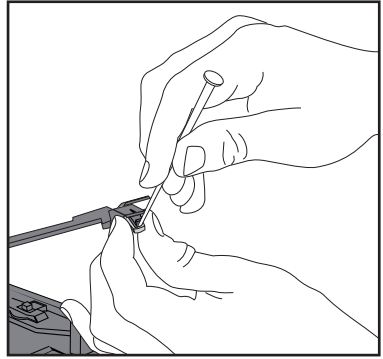
Levysoittimen etuosassa on 3,5 mm:n liitintä stereokuulokkeille. Soittimen sisäinen vahvistin ja matalatasoulostuloliitintä vaimenevat, kun kuulokkeet liitetään soittimeen.

Huolto ja ylläpito

- Puhdista pölyiset levyt levyharjalla.
- Pidä kansi alhaalla, kun levysoitinta ei käytetä. Tämä estää pölyn kertymisen levylautaselle ja neulaan.
- Kuivaa ainoastaan kevyesti kostutetulla liinalla.

Neulan vaihto

1. Pidä äänirasiasta toisella kädellä ja paina pieni ruuvitaltta etureunasta äänirasian ja neulan väliin. Väännä talttaa varovaisesti taaksepäin kuvan osoittamalla tavalla, jotta neula irtoaisi.
2. Aseta uusi neula painamalla se ensin kiinni takaosaan. Paina sitten kiinni myös etuosaan.



Kierrätys

Kierrätä tuote asianmukaisesti, kun poistat sen käytöstä. Ota yhteys kuntasi jäteneuvontaan, mikäli olet epävarma.

Tekniset tiedot

Verkköjännite	230 V AC, 50 Hz
Levysoittimen kierrosnopeudet	33/45 kierr./min (valinnainen)
Radion taajuusalue	87,5–108 MHz (FM) 540–1600 kHz (AM)
Bitrate, mp3	32–256 kbps
Bitrate, WMA	32–256 kbps
Koko	320 x 270 x 165 mm (L, S, K)

SVERIGE

KUNDTJÄNST Tel: 0247/445 00
Fax: 0247/445 09
E-post: kundtjanst@clasohlson.se

INTERNET www.clasohlson.se

BREV Clas Ohlson AB, 793 85 INSJÖN

NORGE

KUNDESENER Tlf.: 23 21 40 00
Faks: 23 21 40 80
E-post: kundesenter@clasohlson.no

INTERNETT www.clasohlson.no

POST Clas Ohlson AS, Postboks 485 Sentrum, 0105 OSLO

SUOMI

ASIAKASPALVELU Puh: 020 111 2222
Faksi: 020 111 2221
Sähköposti: info@clasohlson.fi

INTERNET www.clasohlson.fi

OSOITE Clas Ohlson Oy, Yrjönkatu 23 A, 00100 HELSINKI

GREAT BRITAIN

For consumer contact, please visit
www.clasohlson.co.uk and click on
customer service.

INTERNET www.clasohlson.co.uk

CLAS OHLSON

www.clasohlson.com