

Record Player

Skivspelare
Platespiller
Levysoitin



Article number 38-2999
Model TT-989E

CLAS OHLSON

www.clasohlson.com

ENGLISH

SVENSKA

NORSK

SUOMI

Ver. 200911

Record Player with Outlet for USB

Art. No 38-2999 • Model TT-989E

Please read the entire instruction manual before using the product and save it for future reference. We apologise for any text or photographic errors and any changes of technical data. If you have any questions concerning technical problems please contact our Customer Service Department (see address on reverse).

Table of Contents

- 1. Safety**
- 2. Buttons and Functions**
 - 2.1 The record player
 - 2.2 The remote control
- 3. Getting Started**
 - 3.1 Installation of balance weight – adjustment of pickup pressure
 - 3.2 Adjustment of anti-skating compensation
 - 3.3 Inserting the remote control's batteries
 - 3.4 Connection to amplifier
 - 3.5 Connecting to the power point
 - 3.6 External sound input (AUX-IN)
- 4. Using the record player**
 - 4.1 Play a record
 - 4.2 Fine tuning of rpm
- 5. Playing MP3 files**
 - 5.1 Preparations
 - 5.2 Play/Pause/Stop - ►||/■
 - 5.3 Previous/Next - |◀◀ / ▶▶|
 - 5.4 Switch folder(Folder up)
 - 5.5 Track information(ID3)
 - 5.6 Repeat/Intro/Random
 - 5.7 Programmed playback
 - 5.8 Track separation
- 6. Recording from the record player/equipment connected to the AUX-IN input**
 - 6.1 Record from record player
 - 6.2 Record via the AUX input
 - 6.3 Choose recording quality
- 7. Advanced use**
 - 7.1 Copy between USB memory and the memory card
 - 7.2 Erase files
- 8. Care and Maintenance**
 - 8.1 Cleaning
 - 8.2 Changing of pickup needle
 - 8.3 Aligning the tonearm stopping position
- 9. Disposal**
- 10. Specifications**

1. Safety

- The product should only be repaired by qualified service personnel.
- The product should not be taken apart or modified.
- Do not place the product where it could fall into water or other type of liquid. Do not place any objects containing liquid on the product, e.g. flower vases or soft drinks.
- Shut off the standby function at night or when traveling.
- The standby switch on the front of the device does not disconnect the device from the electric network. To completely disconnect the device`s from the electric network the plug has to be removed from the socket.
- Make sure that the outlet where the device`s lead plug sits is easily accessible since it is used to disconnect from the mains.
- Check that the voltage (V) which on shown in the rating plate on back of the device corresponds to your local electrical network.
- Do not cover the product. Adequate ventilation with a distance of at least 15 cm between ventilation holes and the surrounding area is necessary to prevent the device from becoming too warm.
- Do not place the stereo in a damp, dusty environment or where there are strong vibrations.
- Prolonged exposure to high volume can damage your hearing.



Warning: Do not open the casing! Dangerous current exists in unprotected components within the product's casing. Contact with these can lead to fire or give electric shocks.



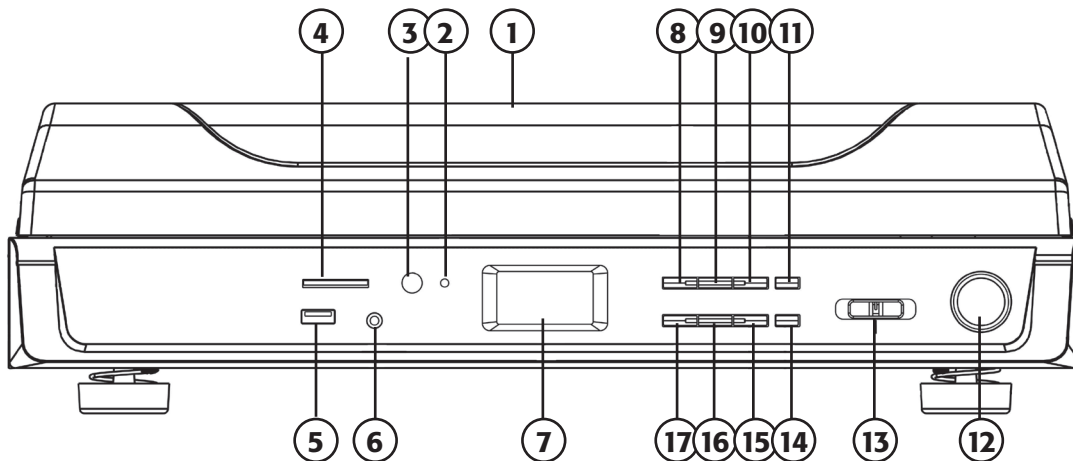
On the CD player

CLASS 1 LASER PRODUCT

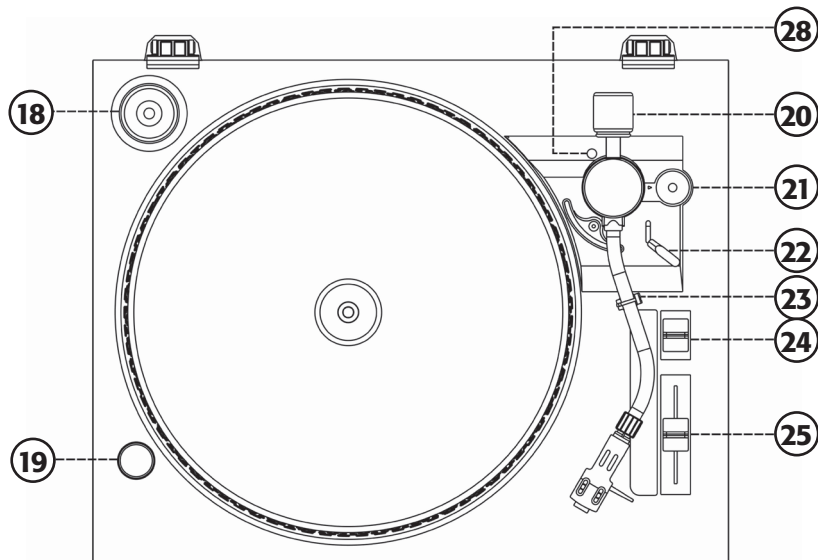
Warning: Do not open the casing! Invisible laser beams can cause eye damage. Do not look directly into the laser beam or look directly at it through an optical instrument.

2. Buttons and Functions

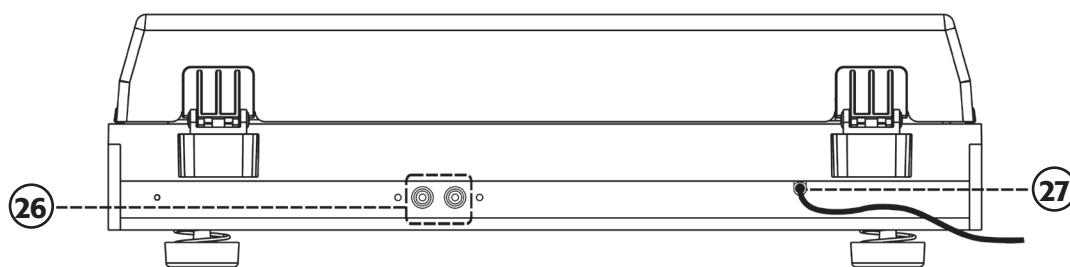
2.1 The record player



- | | |
|--|---|
| <ul style="list-style-type: none"> 1. Lid/dust cover 2. Functions indicator 3. IR sensor for remote control 4. SD card connection 5. USB connection 6. AUX-IN – Input for external audio source (3.5 mm stereo) 7. Display 8. ● REC – Records to USB memory/memory card 9. I◀◀ – Previous track | <ul style="list-style-type: none"> 10. ▶▶I – Next track 11. ▶II / ■ – Play/Pause/Stop 12. EJECT – Returns tone arm 13. Function switch (STANDBY/PHONO/USB/SD/AUX-IN) 14. SOURCE – Selects USB memory or SD card 15. FOLDER UP – Switches folder (during MP3 playing) 16. REPEAT/INTRO/RAN – Repeated/Intro/Random playback 17. PROG – Programmed playback (during MP3 playback) |
|--|---|



- | | |
|--|---|
| <ul style="list-style-type: none"> 18. Adaptor 19. Light 20. Balance weight – for adjusting pickup pressure 21. ANTI-SKATING – Skating compensator | <ul style="list-style-type: none"> 22. Tonearm lever 23. Tonearm lock 24. Speed control 33/45 rpm 25. Pitch control – Fine tune speed control setting |
|--|---|



26. LINE OUT – Low level amplifier output (2 x RCA)

27. Lead with plug

28. Alignment screw with rubber cover

2.2 The remote control

FIND – Searches file name (during MP3 playback)

INFO – Chooses recording quality (Encoding Bitrate)

REC – Starts recording or copying

REPEAT/INTRO/RAN – Repeated/Intro/Random playback (during MP3 playback)

PROGRAM – Programmed playback (during MP3 playback)

▶|| – Play/Pause

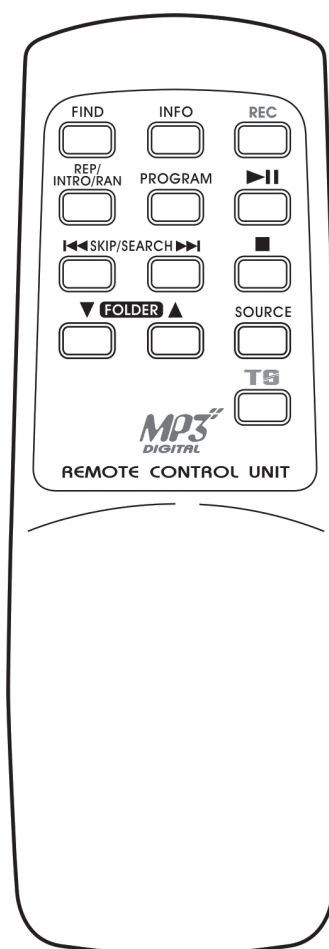
|◀◀ - ▶▶| - Previous/Next track

■ – Stops MP3 playback/removes saved programme

FOLDER ▼▲ – Switches catalogues/folders (during mp3 playback)

SOURCE – Selects USB memory or SD card

TS (Track separation) – Divides a recording into several files

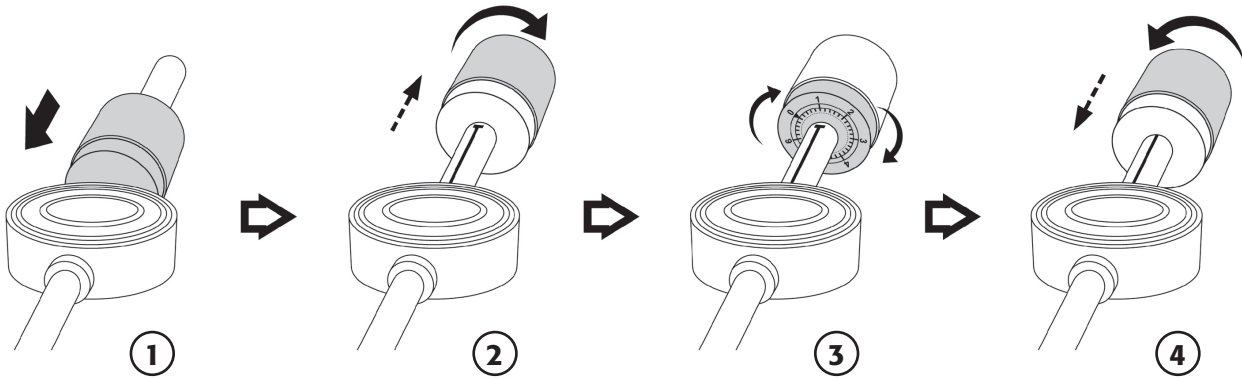


3. Getting Started

N.B. Do not connect the record player to the power supply before the other connections and preparations have been made.

3.1 Installing the balance weight – adjusting the pickup pressure.

The balance weight is not mounted upon delivery and is packaged separately.



1. Slide the weight to the end and rotate it anticlockwise until it clicks into place.
2. Rotate the metal ring clockwise so that the white line is seen on the arm.
3. Turn the black ring so that 0 is facing upwards.
4. Set the desired balance weight by rotating the metal ring anticlockwise. The recommended weight is from 2 to 4 grams.

3.2 Adjusting the anti-skating compensator

- Adjust the anti-skating knob (21) for to the same value as the balance weight setting.

3.3 Inserting the remote control's batteries.

1. Open the battery cover on the back of the remote control by sliding it straight down.
2. Insert 2 x LR03/AAA batteries (not included). Make sure to insert the batteries according to the markings in the battery compartment.
3. Replace the battery cover.

3.4 Connecting to an amplifier

In order for the record player to be used it must first be connected to an amplifier.

Since the record player has a built-in RIAA amplifier it should not be connected to the amplifier's PHONO input, but to an AUX or LINE IN input. If connected to a PHONO outlet the signal becomes overdriven with bad sound as a result.

- Connect a low level cable (included) from the low level output (26) on the back of the record player to the AUX or LINE IN input on an external amplifier (red contact = right, white = left).

3.5 Connecting to the mains

1. Connect the mains lead to the connection on the back of the record player and then connect the plug to a wall socket.
2. To shut the power off completely pull out the plug from the wall socket. Also pull out the plug from the wall socket during strong thunder storms to protect the device.

3.6 External sound input (AUX-IN)

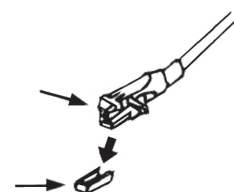
An external sound source can be connected to the AUX-IN input on the front of the record player using a 3.5"mm stereo plug for recording in MP3 format onto a USB memory/memory card.

1. Connect the external sound source via a cable with 3.5 mm stereo plug (included).
2. Set the function switch to the **AUX-IN** position.
3. To record to a USB memory/memory card, follow the instructions in section **6.2 Recording via the AUX input**.

4. Using the record player

4.1 Playing a record

1. Carefully remove the needle cover from the pickup.
2. Move the function switch (13) to the **PHONO** position to turn the record player on.
3. Place a record on the turntable. Some 45 rpm records have a large hole in the centre and then the adaptor (18) is needed for the record to be played.
4. Choose the right speed for the record with the speed control (24).
5. Fold back the tonearm lock (23), lift the tonearm lever (22) and then place the tonearm over the record on the desired track. The turntable will begin spinning.
6. Carefully place the tonearm lever at the start of the desired track; playback starts.
7. Change track, by lifting the tonearm lever and then placing the tonearm on the desired track. Place the tonearm lever on the desired track.
8. Push **EJECT** (12) when you want to stop playback, the tonearm lifts up automatically and returns to the stand. Reposition the tonearm lock and then replace the pickup needle protection when you are finished.



N.B.

Since the record's length varies the tonearm does not always go back automatically when finishing playback. In such cases push **EJECT** to automatically lift and replace the tonearm.

4.2 Fine tuning the speed

The pitch control allows you to fine tune the speed.

Fine tune the speed during playback by adjusting the pitch control (25) whilst simultaneously observing the markings (19) lit up by the strobe lamp on the other side of the turntable.

The markings on the turntable are divided to 3 lines:

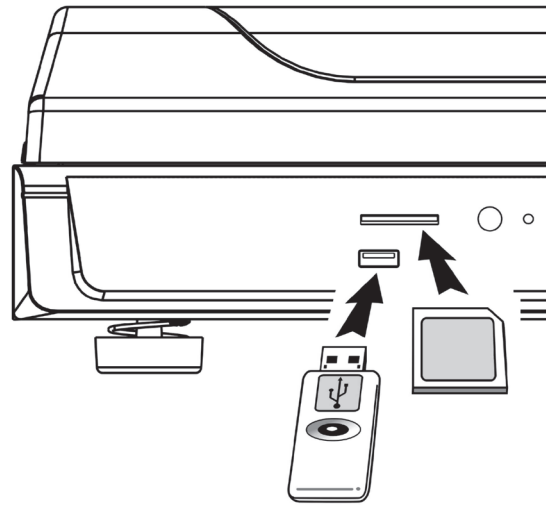
- The top row is used for calibrating 33 rpm records.
- The middle row is used for calibrating 45 rpm records.
- Carefully adjust the pitch control while simultaneously observing the markings` movements:
 - o If the markings move to the right the turntable is spinning slower than the set rpm. Increase the speed with the pitch control (+).
 - o If the markings are moving to the left the turntable is spinning faster than the set rpm. Decrease the speed with the pitch control (-).
 - o When the markings appear to be motionless the rpms are correctly set.

5. Playing MP3 files

The record player can play MP3 files that are stored on a USB memory or memory card.

5.1 Preparations

1. Set the function switch (13) to the **USB/SD** position and then push **SOURCE** (14) to choose either, USB or memory card.
2. Insert a USB memory in the connection marked USB or insert a memory card (type SD/MMC) in the connection marked SD/MMC.
3. The system reads the music files and the display shows the total tracks and catalogues that are stored in the USB memory/memory card.



Removing the USB memory/memory card

Always turn off the device before you remove the USB memory/memory card.

- **USB memory:** Pull out the USB memory by hand.
- **Memory card:** Gently push the memory card in, the card will spring out and can then be removed by hand.

5.2 Play/Pause/Stop - ►||/■

Play – Push once to start the playback.

Play – Push once to pause the playback. Press again to continue playback.

Stop – Push and hold for 2 seconds to stop playback.

5.3 Previous/Next - I◀◀ / ▶▶I

I◀◀ – Push once to go to the start of current track, push again to go to the previous track.
Push and hold to fast rewind.

▶▶I – Push to jump next track. Push and hold to fast forward.

N.B. During fast forward/rewind the volume decreases and resumes then the button is released.

5.4 Switch folder(Folder up)

1. Push repeatedly on **FOLDER UP** (15) to choose folder, the folder's number is displayed.
2. Push **I◀◀** or **▶▶I** to choose a desired track in the chosen folder. Push **►||/■** to play the desired track.

5.5 Track information(ID3)

- Push **INFO** on the remote control to display the artist and title. The folder name is shown on the display.
- Push again to quit showing track information.




N.B. Information regarding artist and track can only be shown if the actual MP3 file contains ID3 information.

5.6 Repeat/Intro/Random

Push repeatedly on **REPEAT/INTRO/RAN** (16) to order activate repeat, intro, or random playback.

(1) **Repeat a track** → (2) **Repeat all** → (3) **Repeat folder** → (4) **Intro** → (5) **Random playback** → (6) **Normal playback**

The display indicates the set function.

	Repeat a track
 ALL	Repeat all tracks
 FOLDER	Repeat of a folder
INTRO	Plays 10 seconds of each track.
RANDOM	Random playback

5.7 Programmed playback

Up to 32 tracks can be programmed in any order.

1. Stop playback by pushing **▶II/■**.
2. Press **PROG** once. "PROG", program number and track number are shown in the display simultaneously while the program number flashes, e.g. "P-01-001".
3. Use **I◀◀** or **▶▶I** to choose the track that should be programmed.
4. Confirm by pushing **PROG** once. The track is added in the first program memory.
5. Repeat step 3 and 4 to programme more tracks.
6. Press **▶II/■** to start playback your list.
7. Push and hold **▶II/■** to stop playback and erase the program memory.

5.8 Track separation

To divide the recording into several files, do the following: Press [TS] (on the remote control) once to insert a pause and create a new file where the next track should begin recording. Use the same procedure for all tracks you wish to have as separately recorded file. Every time a new file is created, the "PHONO" symbol will flash on the display.

N.B. This must be done during the recording process.

6. Recording from the record player/equipment connected to the AUX-IN input

- The record player can play your old records or audio from other equipment which is connected to the AUX input and save the music as MP3 files on a USB memory or memory card.
- The MP3 files are saved in the AUDIO folder which is created automatically on your USB memory/ memory card.

6.1 Recording from the record player

1. Insert a USB memory or memory card into the connections on the record player's front.
2. Set the function switch [13] to the **PHONO** position.
3. Put on and prepare the record you want to record from (see the chapter **Use the record player**).
4. Push **• REC** (8) once.
"USB" flashes on the display to indicate that the recording will be made to the USB memory.
If, instead, you want to record on a memory card, use **I◀◀** or **▶▶I** to choose "SD" as the target.
5. Push on **• REC** again to start playback (if **• REC** is not pushed in within 10 seconds playback starts automatically).
6. Start the playback of desired record track. When recording is in progress **REC** flashes on the display.
7. When finished recording, push **• REC** again.

N.B.

- The recorded files will be saved on the on the connected memory AUDIO folder.
- The recording quality is preset to 128 Kbps/44.1 KHz.
- No track name etc. is saved during recording, these have to be entered manually via a computer.
- Dividing the recording in to different MP3 files this has to be done manually, follow the instructions above for each track you want to record.
- Push **• REC** to abort the recording.

6.2 Recording via the AUX input

1. Insert a USB memory or memory card to the connections on the record player's front.
2. Set the switch (13) to the **AUX-IN** position.
3. Prepare and connect the equipment that you want to record from.
4. Push **• REC** (8) once.
"USB" flashes on the display to indicate that the recording will be made to the USB memory.
If you instead want to record on a memory card, use **I◀◀** or **▶▶I** to choose "SD" as target.
5. Push **• REC** again to start playback (if **• REC** is not pushed within 10 seconds playback starts automatically).
6. Start playback on the connected equipment. When recording is in process **REC** flashes on the display.
7. When finished recording, push **• REC** again.

N.B.

- The recorded files will be saved in the AUDIO folder on the connected memory.
- The recording quality is preset to 128 kbps/44.1 kHz.
- No song name etc. is saved during recording, these have to be entered manually via a computer.
- Dividing the recording to different MP3 files this has to be done manually, follow the instructions above for each track you want to record.
- Push **• REC** to abort the recording.

6.3 Choosing the recording quality


Choose recording quality for your MP3 recordings.

1. Set the switch in position **PHONO** or **AUX-IN**.
2. Push **INFO** on the remote. The current recording quality will be shown on the display.
3. Push **I◀◀** or **▶▶I** to select the desired recording quality. 32/64/96/128/192 or 256 kbps.
4. Push **INFO** again to confirm your choice.


7. Advanced Use

7.1 Copying to/from the USB memory and the memory card

Copying a file:

1. Insert a USB memory and a memory card. Set the function switch to the **USB/SD** position.
2. Push **SOURCE** to choose the memory source of the file you wish to copy.
3. Choose the desired track and start playback.
4. Push **• REC** to start copying the current track, the **REC** symbol and  will flash on the display simultaneously as the indicator counts up.
5. When the indicator has reached “100” the copying is done.

Copying all files:

1. Insert a USB memory and a memory card. Set the function switch to the **USB/SD** position.
2. Push **SOURCE** to choose the memory source of the file you wish to copy.
3. Push **• REC** to start copying, the **REC** symbol and  flashes on the display simultaneously while the indicator counts up.
4. When the indicator has reached “100” the copying of one track is done and the copying continues with the next track.

N.B.

- The copied files will be saved in the folder FCOPY on the connected memory.
- To abort the copying, push and hold **▶II/■**.

7.2 Erasing files

Erasing a file:

1. Insert a USB memory and a memory card. Set the function switch to the **USB/SD** position.
2. Push **SOURCE** to choose the memory that the file you wish to copy is stored on.
3. Push and hold **INFO** on the remote for 3 seconds. The display shows “DEL -001”.
4. Select the desired file using **I◀◀** and **▶▶I**.
5. Push **• REC**, “NO” flashes.
6. Select **YES** with **I◀◀** or **▶▶I**.
7. Push **ZONE** again to confirm. The files are erased and the display shows “DELETE” and thereafter “DEL – 001”.
8. Repeat steps 4 to 7 to remove more files or push **▶II/■** to resume.

Erasing all files:

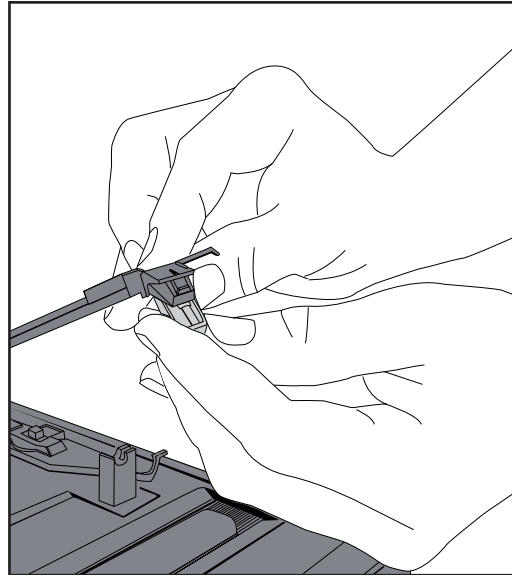
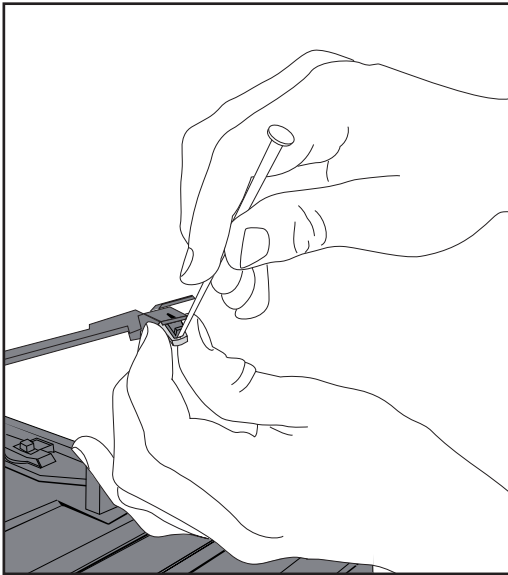
1. Insert a USB memory and a memory card. Set the function switch in position **USB/SD**.
2. Push **SOURCE** to choose the memory that the file you wish to copy is stored on.
3. Push and hold **INFO** on the remote for 3 seconds. The display shows “DEL -001”.
4. Push and hold **INFO** again, “FORMAT / N” will be shown in the display.
5. Select **FORMAT/Y** with **I◀◀** or **▶▶I**.
6. Push **• REC** to confirm.
7. All files on the connected memory are erased when you select **FORMAT/Y**. The display quickly shows “FORMAT” and then “NO FILE” when the files are erased.

8. Care and Maintenance

8.1 Cleaning

- Clean dusty records with a record brush.
- Always fold down the cover when the record player is not in use. This is to prevent dust from collecting on the turntable and pickup needle.
- The record player can be cleaned with a lightly moistened cloth.

8.2 Changing the pickup needle



1. Hold the pickup needle with one hand and push down a fine screwdriver on the front edge between the pickup and the needle. Carefully tilt the screwdriver backwards according to the figure which removes the needle.
2. Attach a new needle by attaching it to the rear edge first. Thereafter attach it to the front edge.

8.3 Aligning the tonearm stopping position

First remove the rubber cover from the alignment screw (28).

The tonearm returns to the tonearm rest before the entire record has been played:

Using a cross headed screwdriver; turn the alignment screw (28) clockwise to adjust the tonearm stop position closer to the centre of the record.

The tonearm does not return to the tonearm rest after the record has finished playing:

Using a cross headed screwdriver; turn the alignment screw (28) anticlockwise to adjust the tonearm stop position further away from the centre of the record.

Remark:

The stop position may need to be adjusted to suit your record selection. The factory-set stop position is based on the most common template.

9. Disposal

When it is time to dispose of the product, dispose of it according to your local ordinances. If you are unsure please contact your municipality.

10. Specifications

Rated Voltage	220-240 V AC, 50 Hz
Record player speed	33/45 rpm (adjustable)
Bitrate, MP3	32-256 kbps

Skivspelare med uttag för usb

Art.nr 38-2999 • Modell TT-989E

Läs igenom hela bruksanvisningen före användning och spara den sedan för framtida bruk.
Vi reserverar oss för ev. text- och bildfel samt ändringar av tekniska data.
Vid tekniska problem eller andra frågor, kontakta vår kundtjänst (se adressuppgifter på baksidan).

Innehållsförteckning

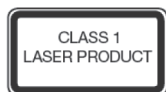
1. **Säkerhet**
2. **Knappar och funktioner**
 - 2.1 Skivspelaren
 - 2.2 Fjärrkontrollen
3. **Att komma igång**
 - 3.1 Installation av motvikt – justering av nåltryck
 - 3.2 Justering av skatingkompensering
 - 3.3 Sätta i fjärrkontrollens batterier
 - 3.4 Anslutning till förstärkare
 - 3.5 Anslutning till elnätet
 - 3.6 Extern ljudingång (AUX-IN)
4. **Använda skivspelaren**
 - 4.1 Spela en skiva
 - 4.2 Fininställning av varvtal
5. **Spela mp3-filer**
 - 5.1 Förberedelser
 - 5.2 Play/Pause/Stopp - ►||■
 - 5.3 Föregående/Nästa - |◀◀ / ▶▶|
 - 5.4 Byt mapp (Folder up)
 - 5.5 Spårinformation (ID3)
 - 5.6 Repeat/Intro/Random
 - 5.7 Programmerad uppspelning
 - 5.8 Track separation
6. **Spela in från skivspelaren/utrustning ansluten till AUX-IN -ingången**
 - 6.1 Spela in från skivspelare
 - 6.2 Spela in via AUX-ingången
 - 6.3 Välja inspelningskvalitet
7. **Avancerad användning**
 - 7.1 Kopiera mellan usb-minne och minneskortet
 - 7.2 Radera filer
8. **Skötsel och underhåll**
 - 8.1 Rengöring
 - 8.2 Byte av nål
 - 8.3 Tonarmens stoppläge kan justeras med justerskruven (28) på följande sätt
9. **Avfallshantering**
10. **Specifikationer**

1. Säkerhet

- Produkten får endast repareras av kvalificerad servicepersonal.
- Produkten får inte demonteras eller ändras.
- Placera inte produkten så att den kan falla ner i vatten eller annan vätska. Ställ inte några föremål som innehåller vätska på produkten, t.ex. blomvas eller dryck.
- Stäng av eventuell standby-funktion om natten eller när du reser bort.
- Omkopplaren på apparatens framsida skiljer inte apparaten från elnätet. För att fullständigt skilja apparaten från elnätet måste apparatens stickpropp tas ur vägguttaget.
- Se till att uttaget där stickproppen sitter är lätt tillgängligt då stickproppen på apparatens nätsladd används som frånkopplingsanordning från nätet.
- Kontrollera att spänningen som finns angiven på märkskylten på skivspelarens baksida är densamma som i ditt lokala elnät.
- Täck inte över anläggningen. Tillräcklig ventilation, med ett minsta avstånd på 15 cm mellan ventilationshålen och omgivande ytor, är nödvändig för att förhindra att anläggningen blir för varm.
- Placera inte anläggningen i en fuktig, dammig miljö eller där det förekommer starka vibrationer.
- Långvarig exponering av hög ljudvolym från hörlurar kan orsaka skador på din hörsel.



Varning! Öppna inte höljet! Farlig spänning finns oskyddat på komponenter inuti produktens hölje, kontakt med dessa kan leda till brand eller ge elektriska stötar.



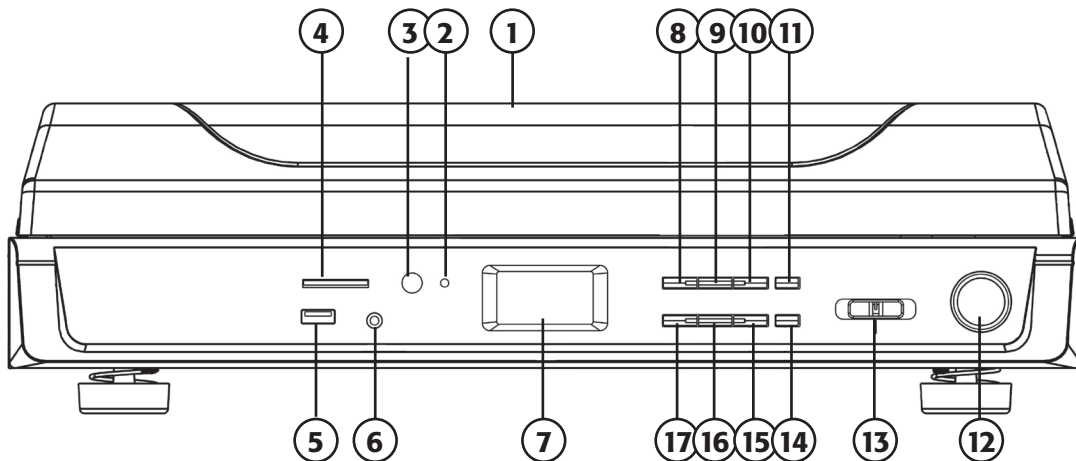
Vid CD-spelare

KLASS 1 LASERAPPARAT

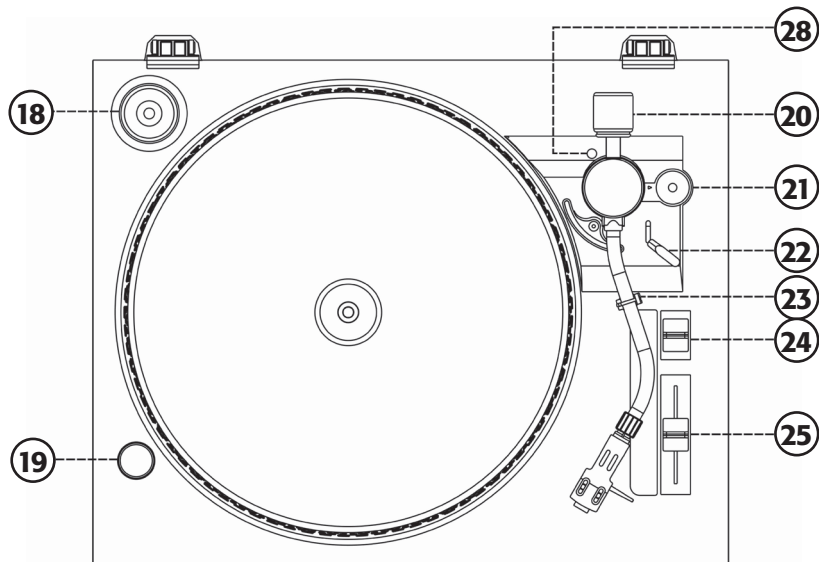
Varning! Öppna inte höljet! Osynlig laserstrålning som kan orsaka ögonskador. Rikta inte blicken in mot strålen och titta inte direkt på den genom optiska instrument.

2. Knappar och funktioner

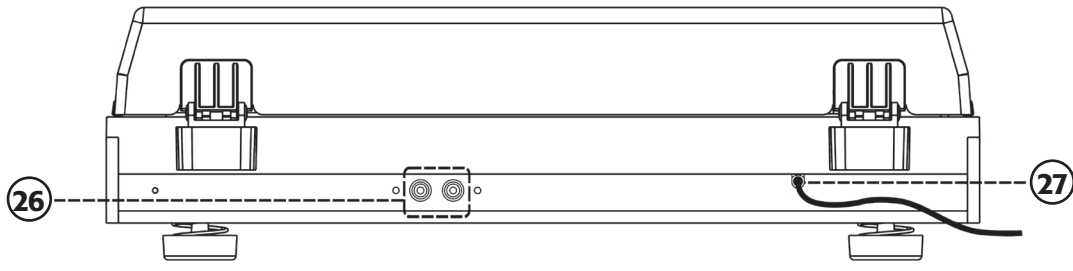
2.1 Skivspelaren



- | | |
|--|---|
| <ul style="list-style-type: none"> 1. Lock/Dammskydd 2. Funktionsindikator 3. IR-sensor för fjärrkontroll 4. Anslutning för SD-kort 5. Usb-anlutning 6. AUX IN – Ingång för extern ljudkälla (3,5 mm) 7. Display 8. ● REC – Inspelning till usb-minne/minneskort 9. ◀◀ - Föregående spår 10. ▶▶ - Nästa spår | <ul style="list-style-type: none"> 11. ▶ / ■ – Play/Pause/Stop 12. EJECT – Återgång av tonarm 13. Funktionsomkopplare (STANDBY/PHONO/USB/SD/AUX-IN) 14. SOURCE – Väljer usb-minne eller sd-minneskort 15. FOLDER UP – Byt katalog/mapp (vid mp3-uppspelning) 16. REPEAT/INTRO/RAN – Repetition/Intro/Slumpmässig uppspelning (vid mp3-uppspelning) 17. PROG – Programmerad uppspelning (vid mp3-uppspelning) |
|--|---|



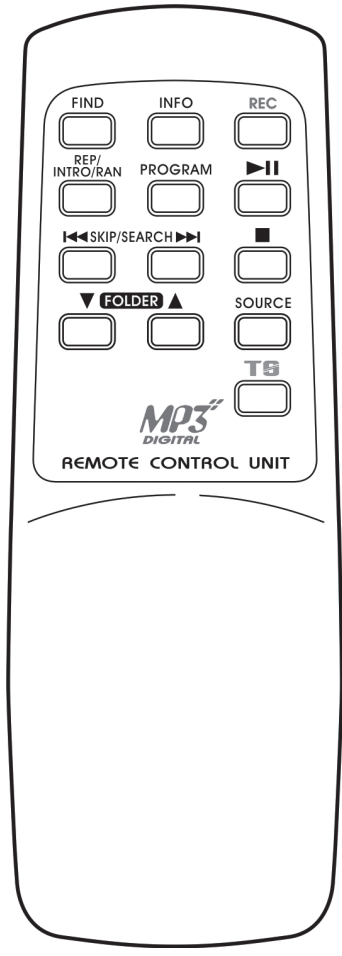
- | | |
|--|--|
| <ul style="list-style-type: none"> 18. Skivpuck 19. Stroboskoplampa 20. Motvikt – För justering av nåltrycket 21. ANTI-SKATING – Skatingkompensering | <ul style="list-style-type: none"> 22. Spak för tonarm 23. Tonarmslåsning 24. Varvtalsomkopplare 33/45 v/min 25. Pitchkontroll - hastighetsinställning |
|--|--|



- 26. LINE OUT – Lågnivåutgång för förstärkare (2 x RCA)
- 27. Nätsladd med stickpropp
- 28. Justerskruv med gummiskydd

2.2 Fjärrkontrollen

- FIND** – Sök filnamn (vid mp3-uppspelning)
- INFO** – Väljer inspelningskvalitet (Encoding Bitrate)
- REC** – Tryck för att starta inspelning eller kopiering
- REP/INTRO/RAN** – Repetition/Intro/Slumpmässig uppspelning (vid mp3-uppspelning)
- PROGRAM** – Programmerad uppspelning (vid mp3-uppspelning)
- ▶||** – Play/Pause
- I◀◀ - ▶▶I** - Föregående/Nästa spår
- – Stoppas mp3-uppspelning/Tar bort sparad program
- FOLDER ▼▲** – Byt katalog/mapp (vid mp3-uppspelning)
- SOURCE** – Väljer usb-minne eller sd-minneskort
- TS (Track separation)** – Delar upp en inspelning i flera filer

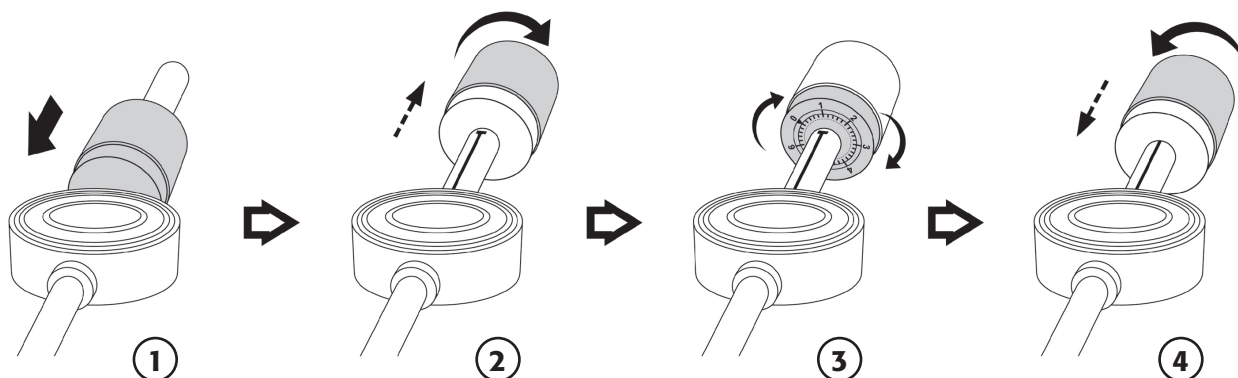


3. Att komma igång

Obs! Anslut inte skivspelaren till elnätet förrän övriga anslutningar och förberedelser gjorts.

3.1 Installation av motvikt – justering av nåltryck

Motvikten är inte monterad vid leverans och ligger förvarad separat i emballaget.



1. Skjut in vikten mot ändläget och vrid den moturs tills det klickar.
2. Vrid metallringen medurs så att du kommer till det vita strecket på armen.
3. Vrid den svarta ringen så att "0" är rakt upp.
4. Ställ sedan in önskad vikt genom att vrida metallringen moturs. Rekommenderad vikt är mellan 2 till 4 gram.

3.2 Justering av skatingkompensering

- Justera vredet (21) för antiskating till samma värde som motvikten ställts in på.

3.3 Sätta i fjärrkontrollens batterier

1. Öppna batteriluckan på fjärrkontrollens baksida genom skjuta den rakt nedåt.
2. Sätt i två st. LR03/AAA-batterier (medföljer ej). Se till att vända batterierna rätt enligt polaritetsmärkningen i batterifacket.
3. Sätt tillbaka batteriluckan.

3.4 Anslutning till förstärkare

För att kunna använda skivspelaren måste den först anslutas till en förstärkare. Eftersom skivspelaren har inbyggd RIAA-förstärkare så ska den inte anslutas till förstärkarens phono-ingång, utan till AUX- eller LINE IN-ingången. Ansluts den till ett phono-uttag blir signalen överstyrd, med resultatet att det blir dåligt ljud.

- Anslut en lågnivåkabel (medföljer) från lågnivåutgången (26) på skivspelarens baksida till AUX- eller LINE IN-ingången på en extern förstärkare (röd kontakt = höger, vit = vänster).

3.5 Anslutning till elnätet

1. Anslut nätsladden till anslutningen på skivspelarens baksida och anslut sedan stickproppen till ett vägguttag.
2. För att helt stänga av strömmen till skivspelaren, dra stickproppen ur vägguttaget. Dra även ur stickproppen ur vägguttaget vid kraftiga åskväder för att skydda anläggningen.

3.6 Extern ljudingång (AUX-IN)

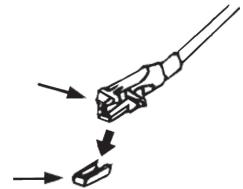
Till ingången AUX-IN på skivspelarens framsida kan du ansluta en extern ljudkälla med en 3,5 mm stereokontakt för att spela in den externa ljudkällan till mp3 på usb-minne/minneskort.

1. Anslut den externa ljudkällan via en kabel med 3,5 mm stereokontakt (medföljer).
2. Sätt funktionsomkopplaren i läge **AUX-IN**.
3. För att spela in till usb-minne/minneskort, följ instruktionen i avsnitt **6.2 Spela in via AUX-ingången**.

4. Använda skivspelaren

4.1 Spela en skiva

1. Avlägsna försiktigt nålskyddet från pickupen.
2. Sätt funktionsomkopplaren (13) i läge **PHONO** för att slå på skivspelaren.
3. Placera en skiva på skivtallriken. De flesta 45-varvsskivor har stort centrumhål och behöver då skivpucken (18) för att kunna spelas.
4. Välj rätt hastighet för skivan med varvtalsomkopplaren (24).
5. Vik tillbaka tonarmslåsningen (23), lyft tonarmsspaken (22) och för sedan tonarmen över skivan till önskat spår på skivan. Nu ska skivtallriken börja snurra.
6. Fäll försiktigt ner tonarmsspaken vid början på det önskade spår, avspelningsen startar.
7. Byt spår genom att lyfta tonarmsspaken och sedan föra tonarmen till önskat spår. Fäll ned tonarmsspaken vid det önskade spåret.
8. Tryck på **EJECT** (12) när du vill avsluta avspelningsen, tonarmen lyfts automatiskt upp och återgår till vilostödet. Fäll tillbaka tonarmslåsningen och sätt tillbaka nålskyddet när du lyssnat färdigt.



Notera:

Då skivornas längd varierar går tonarmen inte alltid tillbaka automatiskt vid avslutad avspelningsen, tryck då på **EJECT** för att automatiskt lyfta och föra tillbaka tonarmen.

4.2 Fininställning av varvtal

Pitchkontrollen låter dig fininställa varvtalet.

Fininställ varvtalet genom att under avspelningsen ändra pitchkontrollen (25) och samtidigt titta på markeringarna som lysas upp av stroboskoplampen (19) på sidan av skivtallriken.

Markeringarna på skivtallriken är indelad i 3 rader:

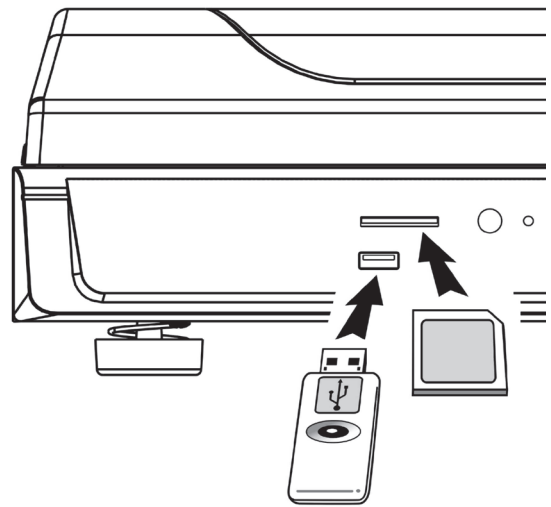
- Den översta raden används för kalibrering vid avspelningsen av 33-varvsskivor.
- Den mellersta raden används för kalibrering vid avspelningsen av 45-varvsskivor.
- Ändra försiktigt pitchkontrollen samtidigt som du tittar på hur markeringarna vid stroboskoplampen rör sig:
 - o Rör sig markeringarna till höger snurrar skivtallriken saktare än inställt varvtal. Öka hastigheten med pitchkontrollen (+).
 - o Rör sig markeringarna till vänster snurrar skivtallriken fortare än inställt varvtal. Minska hastigheten med pitchkontrollen (-).
 - o När markeringarna upplevs som stillastående är varvtalet rätt inställt.

5. Spela mp3-filer

Skivspelaren kan spela upp mp3-filer som finns lagrade på ett usb-minne eller ett minneskort.

5.1 Förberedelser

1. Sätt funktionsomkopplaren (13) i läge **USB/SD** och tryck sedan på **SOURCE** (14) för att välja källa (usb eller minneskort).
2. Sätt i ett usb-minne i anslutningen märkt USB eller sätt i ett minneskort (typ SD/MMC) i anslutningen märkt SD/MMC.
3. Systemet läser in musikfilerna och displayen visar det totala antalet låtar och kataloger som finns på usb-minnet/minneskortet.



Ta ur usb-minnet/minneskortet

Stäng alltid av enheten innan du tar bort ur usb-minnet/minneskortet.

- **Usb-minne:** Dra usb-minnet rakt ut för hand.
- **Minneskort:** Tryck lätt minneskortet inåt, kortet fjädrar utåt och kan sedan dras ut för hand.

5.2 Play/Pause/Stopp - ►II/■

Play - Tryck kort för att starta uppspelningen

Paus - Tryck kort för att pausa uppspelningen. Tryck igen för att fortsätta uppspelningen.

Stopp - Tryck och håll in i ca 2 sekunder för att stoppa uppspelningen.

5.3 Föregående/Nästa - I◀◀ / ▶▶I

I◀◀ - Tryck kort för att gå till början på aktuellt spår, tryck igen för att gå till föregående spår. Tryck och håll in för att snabbspola bakåt.

▶▶I - Tryck kort för att välja nästa spår. Tryck och håll in för att snabbspola framåt.

Notera: Vid snabbspolning tystnar ljudet och återkommer när knappen för snabbspolning släpps.

5.4 Byt mapp (Folder up)

1. Tryck upprepade gånger på **FOLDER UP** (15) för att välja mapp, mappens nummer visas.
2. Tryck på **I◀◀** eller **▶▶I** för att välja önskat spår i den valda mappen. Tryck **►II/■** för att spela upp det valda spåret.

5.5 Spårinformation (ID3)

- Tryck på **INFO** på fjärrkontrollen för att visa artist och låttitel. Informationen visas i displayen.
- Tryck igen för att sluta visa spårinformation.




Notera: Information om artist och låt kan endast visas om den aktuella mp3-filen innehåller ID3-information.

5.6 Repeat/Intro/Random

Tryck upprepade gånger på **REPEAT/INTRO/RAN** (16) för att i följande ordning aktivera repetition, intro eller slumpmässig uppspelning:

(1) **Repetera ett spår** → (2) **Repetera alla** → (3) **Repetera mapp** → (4) **Intro** → (5) **Slumpmässig uppspelning** → (6) **Normal uppspelning**

Displayen visar vald funktion:

	Repetera ett spår
	Repetera alla spår
	Repetition av en mapp
INTRO	Spelar upp 10 sekunder i början på varje spår.
RANDOM	Slumpmässig uppspelning

5.7 Programmerad uppspelning

Upp till 32 spår kan programmeras i valfri ordning.

1. Stoppa uppspelningen genom att trycka på **▶||■**.
2. Tryck en gång på **PROG**. "PROG", programnummer samt spårnummer visas i displayen samtidigt som programnumret blinkar, t.ex. "P-01-001".
3. Använd **◀◀** och **▶▶** för att välja det spår som ska programmeras i det första programminnet.
4. Bekräfta genom att trycka en gång på **PROG**. Spåret läggs till i det första programminnet.
5. Repetera steg 3 och 4 för att programmera fler spår.
6. Tryck på **▶||■** för att starta uppspelningen i den ordning du nyss programmerat.
7. Tryck och håll in **▶||■** för att stoppa uppspelningen och rensa programminnet.

5.8 Track separation

För att dela upp en inspelning i flera filer, gör enligt följande: Tryck en gång på [TS] (på fjärrkontrollen) för att infoga en paus och skapa en ny fil där nästa spår kommer att spelas in. Gör lika på alla ställen där du vill dela upp inspelningen. Varje gång en ny spår skapas blinkar "PHONO"-symbolen en gång på displayen.

Obs! Detta måste göras under inspelningen.

6. Spela in från skivspelaren/utrustning ansluten till AUX-IN-ingången

- Skivspelaren kan spela in från dina gamla vinylskivor eller ljud från utrustning som är ansluten till AUX-ingången och spara musiken som mp3-filer på ett usb-minne eller minneskort.
- Mp3-filerna sparas i mappen AUDIO som skapas automatiskt på ditt usb-minne/minneskort.

6.1 Spela in från skivspelaren

1. Sätt i ett usb-minne eller minneskort i anslutningarna på skivspelaren framsida.
2. Sätt omkopplaren (13) i läge **PHONO**.
3. Lagg på och förbered den skiva du vill spela in från (se avsnitt **Använda skivspelaren**).
4. Tryck en gång på **• REC** (8).
"USB" blinkar i displayen för att indikera att inspelningen kommer att ske till usb-minnet.
Om du istället vill spela in på ett minneskort, använd **I◀◀** eller **▶▶I** för att välja "SD" som målenhet.
5. Tryck igen på **• REC** för att starta inspelningen (om **• REC** inte trycks in inom 10 sekunder startar inspelningen automatiskt).
6. Starta avspelningen av önskat spår på skivan. När inspelningen pågår blinkar **REC** i displayen.
7. Vid avslutad inspelning, tryck igen på **• REC**.

Notera:

- De inspelade filerna sparas i mappen AUDIO på det anslutna minnet.
- Inspelningskvaliteten är förinställd på 128 Kbps/44,1 KHz.
- Inga låtnamn osv. sparas vid inspelningen, dessa måste läggas in manuellt via en dator.
- För att dela upp inspelningen i olika mp3-filer måste detta göras manuellt, dvs. följa instruktionen ovan för varje låt du vill spela in.
- För att avbryta inspelningen, tryck **• REC**.

6.2 Spela in via AUX-ingången

1. Sätt i ett usb-minne eller minneskort i anslutningarna på skivspelaren framsida.
2. Sätt omkopplaren (13) i läge **AUX-IN**.
3. Förbered och anslut den utrustning som du vill spela in från.
4. Tryck en gång på **• REC** (8).
"USB" blinkar i displayen för att indikera att inspelningen kommer att ske till usb-minnet. Om du istället vill spela in på ett minneskort, använd **I◀◀** eller **▶▶I** för att välja "SD" som målenhet.
5. Tryck igen på **• REC** för att starta inspelningen (om **• REC** inte trycks in inom 10 sekunder startar inspelningen automatiskt).
6. Starta avspelningen på den anslutna utrustningen. När inspelningen pågår blinkar **REC** i displayen.
7. Vid avslutad inspelning, tryck igen på **• REC**.

Notera:

- De inspelade filerna sparas i mappen AUDIO på det anslutna minnet.
- Inspelningskvaliteten är förinställd på 128 Kbps/44,1 KHz.
- Inga låtnamn osv. sparas vid inspelningen, dessa måste läggas in manuellt via en dator.
- För att dela upp inspelningen i olika mp3-filer måste detta göras manuellt, dvs. följa instruktionen ovan för varje låt du vill spela in.
- För att avbryta inspelningen, tryck **• REC**.

6.3 Välja inspelningskvalitet

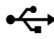
Välj inspelningskvalitet för inspelade filer från skiva till mp3.

1. Sätt funktionsomkopplaren i läge **PHONO** eller **AUX-IN**.
2. Tryck **INFO** på fjärrkontrollen, aktuell inspelningskvalitet visas i displayen.
3. Tryck **I◀◀** eller **▶▶I** för att välja inspelningskvalitet: 32/64/96/128/192 eller 256 Kbps.
4. Tryck igen på **INFO** för att bekräfta ditt val.

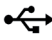
7. Avancerad användning

7.1 Kopiera mellan usb-minne och minneskortet

Kopiera en fil:

1. Sätt i ett usb-minne och ett minneskort. Sätt sedan funktionsomkopplaren i läge **USB/SD**.
2. Tryck **SOURCE** för att välja det minne som filen du vill kopiera finns på.
3. Välj det spår du vill spela upp och starta uppspelningen.
4. Tryck på **• REC** för att starta kopieringen av det aktuella spåret, symbolen **REC** och  blinkar i displayen samtidigt som förloppsindikatorn räknar uppåt.
5. När förloppsindikatorn nått "100" är kopieringen klar.

Kopiera alla filer:

1. Sätt i ett usb-minne och ett minneskort. Sätt sedan funktionsomkopplaren i läge **USB/SD**.
2. Tryck **SOURCE** för att välja det minne du vill kopiera filerna från.
3. Tryck på **• REC** för att starta kopieringen, symbolen **REC** och  blinkar i displayen samtidigt som förloppsindikatorn räknar uppåt.
4. När förloppsindikatorn nått "100" är kopieringen av ett spår klar och kopieringen fortsätter med nästa spår.

Notera:

- Kopierade filer sparas i mappen FCOPY på det anslutna minnet.
- För att avbryta kopieringen, tryck och håll in **▶II/■**.

7.2 Radera filer

Radera en fil:

1. Sätt i ett usb-minne och ett minneskort. Sätt sedan funktionsomkopplaren i läge **USB/SD**.
2. Tryck **SOURCE** för att välja det minne som innehåller filen du vill ta bort.
3. Tryck och håll in **INFO** på fjärrkontrollen i ca 3 sekunder. Displayen visar "DEL -001".
4. Välj önskad fil med **I◀◀** och **▶▶I**.
5. Tryck på **• REC**, "NO" blinkar.
6. Välj "YES" med **I◀◀** eller **▶▶I**.
7. Tryck igen på **• REC** för att bekräfta. Filen raderas och displayen visar "DELETE" och därefter "DEL -001".
8. Gör om steg 4 till 7 för att ta bort fler filer eller tryck **▶II/■** för att återgå.

Radera alla filer:

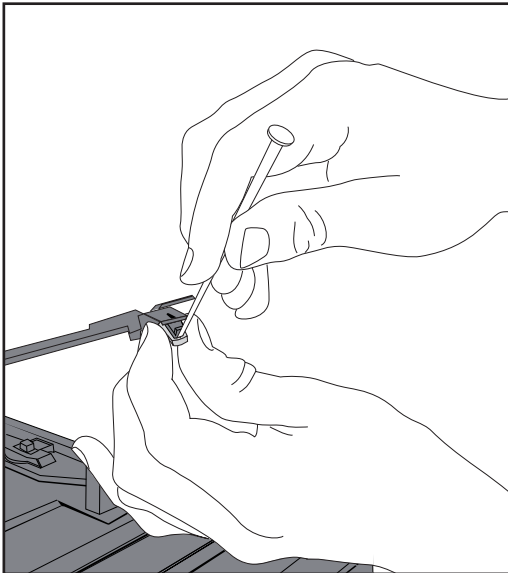
1. Sätt i ett usb-minne och ett minneskort. Sätt sedan funktionsomkopplaren i läge **USB/SD**.
2. Tryck **SOURCE** för att välja det minne som innehåller filen du vill ta bort.
3. Tryck och håll in **INFO** på fjärrkontrollen i ca 3 sekunder. Displayen visar "DEL -001".
4. Tryck och håll in **INFO** igen, "FORMAT / N" visas i displayen..
5. Välj "FORMAT/Y" med **I◀◀** eller **▶▶I**.
6. Tryck på **• REC** för att bekräfta.
7. Alla filer på det anslutna minnet raderas när du väljer "FORMAT/Y". Displayen visar snabbt "FORMAT" och sedan "NO FILE" när filerna raderats.

8. Skötsel och underhåll

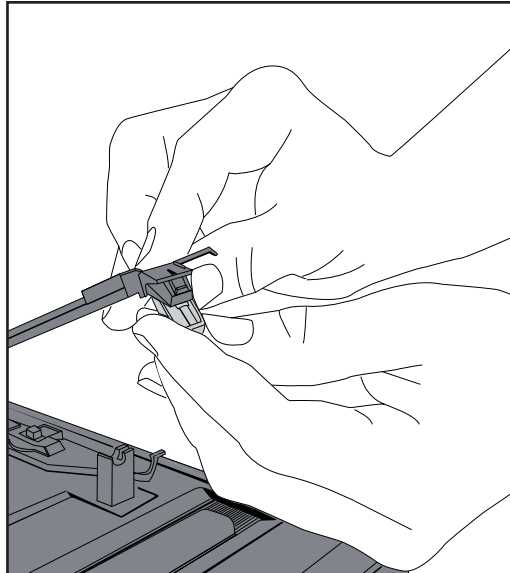
8.1 Rengöring

- Gör ren dammiga skivor med en skivborste.
- Fäll alltid ned locket när skivspelaren inte används. Detta för att förhindra att damm samlas på skivtallrik och nål.
- Skivspelaren kan torkas med en lätt fuktad trasa.

8.2 Byte av nål



1. Håll i pickupen med ena handen och tryck ner en liten spårmejsel i framkanten mellan pickupen och nålen. Bänd mejseln försiktigt bakåt enligt bilden så att nålen lossnar.



2. Sätt i en ny nål genom att trycka fast nålen i bakkanten först. Tryck därefter fast den i framkanten.

8.3 Tonarmens stoppläge kan justeras med justerskruven (28) på följande sätt:

Avlägsna gummiskyddet innan du justerar tonarmens stoppläge!

Tonarmen går tillbaka till ursprungsläget innan skivan spelats färdigt:

Använd en kryssmejsel och vrid justerskruven (28) medurs för att justera tonarmens stoppläge mot skivans centrum.

Tonarmen går inte tillbaka trots att skivan är avspeland:

Använd en kryssmejsel och vrid justerskruven (28) moturs för att justera tonarmens stoppläge från skivans centrum.

Anmärkning:

Stoppläget kan variera mellan olika skivor. Det fabriksinställda stoppläget är dock baserat på de mest förekommande skivpressningarna.

9. Avfallshantering

När du ska göra dig av med produkten ska detta ske enligt lokala föreskrifter. Är du osäker på hur du ska gå tillväga, kontakta din kommun.

10. Specifikationer

Märkspänning	220-240 V AC, 50 Hz
Hastighet skivspelare	33/45 v/min (valbart)
Bitrate, MP3	32-256 Kbps

Platespiller med USB-uttak

Art.nr 38-2999 • Modell TT-989E

Les igjennom hele bruksanvisningen før bruk, og ta vare på den for framtidig bruk. Vi reserverer oss mot ev. tekst- og bildefeil, samt forandringer av tekniske data. Ved tekniske problemer eller andre spørsmål, ta kontakt med vårt kundesenter. (Se opplysninger om kundesenteret her i denne bruksanvisningen).

Innholdsfortegnelse

1. **Sikkerhet**
2. **Knapper og funksjoner**
 - 2.1 Platespilleren
 - 2.2 Fjernkontrollen
3. **Kom i gang**
 - 3.1 Installasjon av motvekt – justering av trykk på stift
 - 3.2 Justering av skatingkompensering
 - 3.3 Sett batterier i fjernkontrollen
 - 3.4 Kobling til forsterkere
 - 3.5 Tilkobling til strømmettet
 - 3.6 Ekstern lydinnang (AUX-IN)
4. **Bruk av platespiller**
 - 4.1 Spill en plate
 - 4.2 Fininnstilling av omdreininger
5. **Spill av MP3-filer**
 - 5.1 Forberedelser
 - 5.2 Play/Pause/Stopp - ►||■
 - 5.3 Foregående/Neste - |◀◀ / ▶▶|
 - 5.4 Bytt mappe (Folder up)
 - 5.5 Sporinformasjon (ID3)
 - 5.6 Repeat/Intro/Random
 - 5.7 Programmert avspilling
 - 5.8 Track separation
6. **Spill inn fra platespilleren/utstyr koblet til AUX-IN -inngangen**
 - 6.1 Spill inn fra platespiller
 - 6.2 Spill inn via AUX-inngangen
 - 6.3 Velg innspillingskvalitet
7. **Avansert bruk**
 - 7.1 Kopier mellom USB-minne og minnekortet
 - 7.2 Slett filer
8. **Stell og vedlikehold**
 - 8.1 Rengjøring
 - 8.2 Bytte av stift
 - 8.3 Tonearmens stopposisjon kan justeres med justeringsskruen (28) på følgende måte
9. **Avfallshåndtering**
10. **Spesifikasjoner**

1. Sikkerhet

- Produktet må kun repareres av kvalifisert servicepersonell.
- Produktet må ikke demonteres eller endres.
- Plasser ikke produktet slik at det kan falle ned i vann eller annen væske. Plasser aldri produktet i nærheten av gjenstander, som kan forårsake at vann eller annen væske skylles over produktet. Dette gjelder f.eks. blomstervase eller leskedrikk.
- Skru av en eventuell standby funksjon om natten og når du reiser bort.
- Omkobleren på anleggets framside skiller ikke anlegget fra strømmettet. For å koble anlegget helt fra strømmettet, må produktets nettadapter tas ut fra vegguttaket.
- Påse at uttaket der stikkontakten sitter er tilgjengelig, da stikkontakten på anleggets ledning brukes som frakoblingsanordning fra strømmettet.
- Kontroller at spenningen, som er angitt på merkeskiltet på baksiden av platespilleren, er den samme som i ditt lokale strømmett.
- Anlegget må ikke tildekkes. Tilstrekkelig ventilasjon, med en minsteavstand på 15 cm mellom ventilasjonshullene og omliggende flater er nødvendig, for å forhindre at anlegget blir for varm.
- Plasser ikke anlegget i et fuktig, støvete miljø, eller der det forekommer sterke vibrasjoner.
- Langvarig eksponering av høyt lydnivå fra headset kan forårsake skader på din hørsel.



Advarsel! Åpne ikke dekselet! Farlig spenning ligger ubeskyttet på komponenter under produktets deksel, og kontakt med disse kan føre til brann eller gi elektrisk støt.



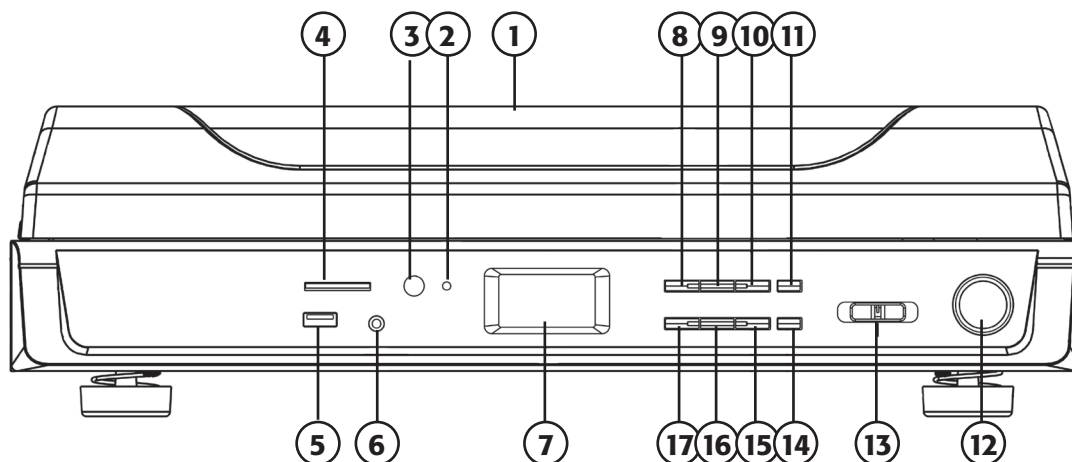
Ved CD-spiller

KLASSE 1 LASERAPPARAT

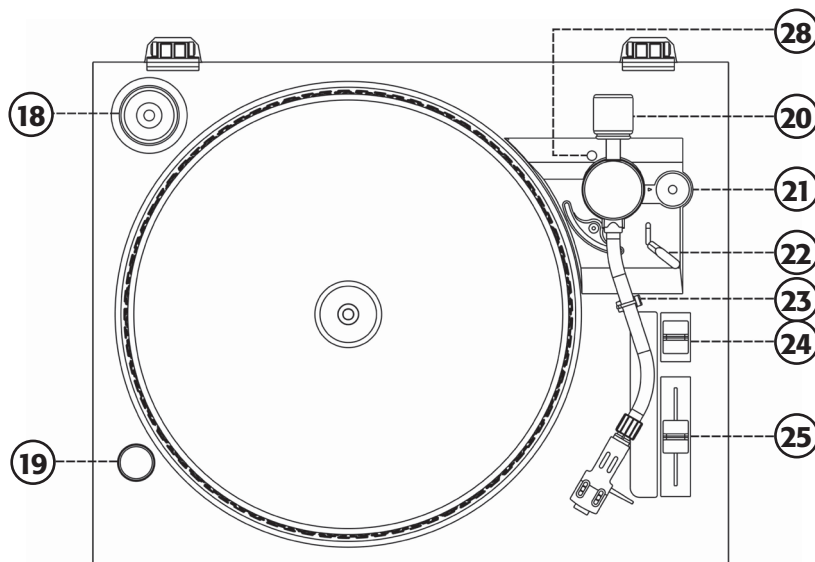
Advarsel! Åpne ikke dekselet! Usynlig laserstråling som kan forårsake øyeskader. Rett ikke blikket mot strålen, og se ikke rett på den gjennom optiske instrumenter.

2. Knapper og funksjoner

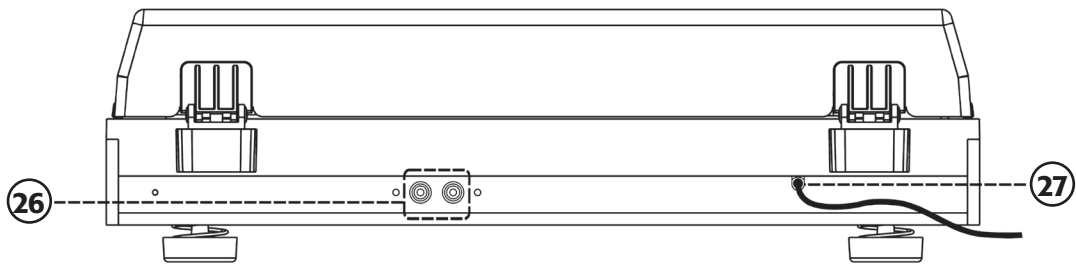
2.1 Platespilleren



- | | |
|---|--|
| 1. Lukk/Støvdeksel | 11. ► / ■ – Play/Pause/Stop |
| 2. Funksjonsindikator | 12. EJECT – Tilbakegang av tonearm |
| 3. IR-sensor for fjernkontroll | 13. Funksjonsomkobler
(STANDBY/PHONO/USB/SD/AUX-IN) |
| 4. Tilkobling for SD-kort | 14. SOURCE – Velger USB-minne eller SD-minnekort |
| 5. USB-tilkobling | 15. FOLDER UP
– Skift katalog/mappe (ved MP3-spilling) |
| 6. AUX-IN – Inngang for ekstern lydkilde (3,5 mm) | 16. REPEAT/INTRO/RAN – Repetisjon/Intro/Tilfeldig
avspilling (ved MP3-avspilling) |
| 7. Display | 17. PROG
– Programmert avspilling (ved MP3-avspilling) |
| 8. ● REC – Innspilling til USB-minne/minnekort | |
| 9. I◀◀ - Foregående spor | |
| 10. ▶▶I - Neste spor | |



- | | |
|--|---|
| 18. Singeladapter | 22. Spak for tonearm |
| 19. Stroboskoplampe | 23. Tonearmslåsning |
| 20. Motvekt – For justering av stiftrykket | 24. Omdreiningssomkobler 33/45-o/min |
| 21. ANTI-SKATING – Skatingkompensering | 25. Pitchkontroll - hastighetsinnstilling |



26. LINE OUT – Lavnivåutgang for forsterker (2 x RCA)

27. Strømledning med støpsel

28. Justeringskrue med gummibeskyttelse

2.2 Fjernkontroll

FIND – Søk filnavn (ved MP3-avspilling)

INFO – Velger innspillingskvalitet (Encoding Bitrate)

REC – Trykk for å starte innspilling eller kopiering

REP/INTRO/RAN – Repetisjon/Intro/Tilfeldig avspilling (ved MP3-avspilling)

PROGRAM – Programmert avspilling (ved MP3-avspilling)

▶|| – Play/Pause

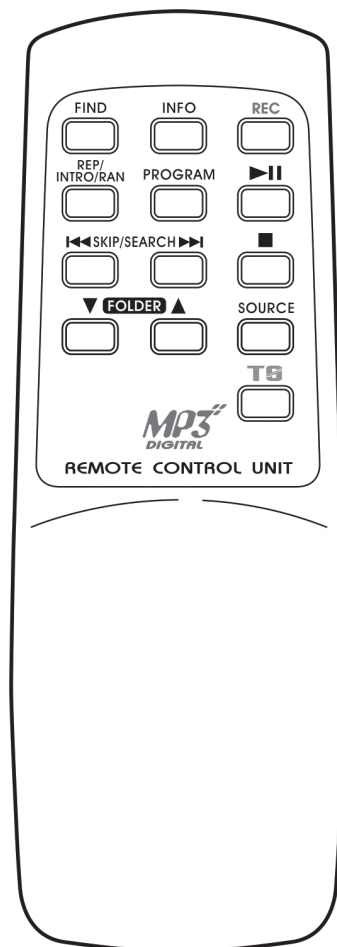
I◀◀ - ▶▶I - Foregående/Neste spor

■ – Stopper MP3-avspilling/Sletter lagret program

FOLDER ▼▲ – Skift katalog/mappe (ved MP3-avspilling)

SOURCE – Velger USB-minne eller SD-minnekort

TS (Track separation) – Deler opp en inspelning i flere filer

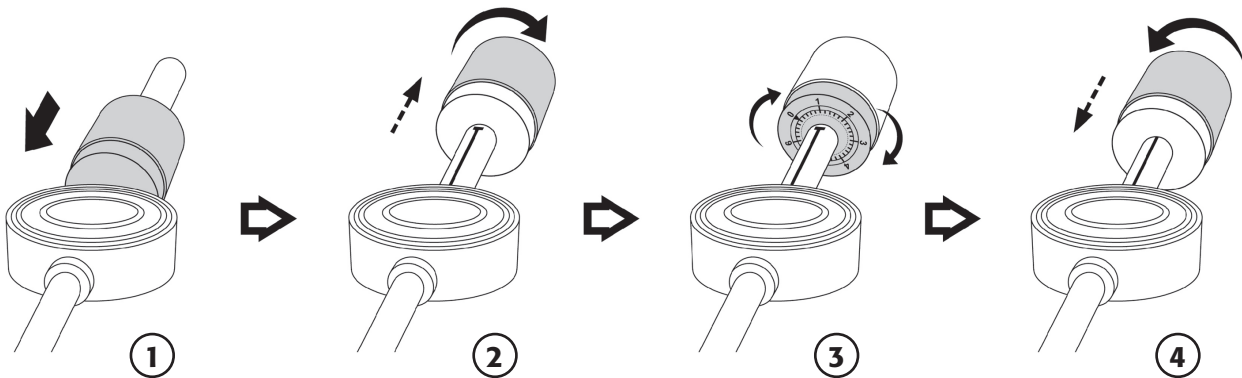


3. Kom i gang

Obs! Koble ikke platespilleren til strømmettet før øvrige tilkoblinger og forberedelser er gjort.

3.1 Installasjon av motvekt – justering av trykk på stift

Motvekten er ikke montert ved levering og den ligger oppbevart separat i emballasjen.



1. Skyv vekten innover og vri den moturs til det klikker.
2. Vri metallringen medurs så du kommer til den hvite streken på armen.
3. Vri den svarte ringen så "0" er rett opp.
4. Still deretter inn ønsket vekt ved å vri metallringen moturs. Anbefalt vekt er mellom 2 og 4 gram.

3.2 Justering av skatingkompensering

- Juster bryteren for antiskating til samme verdi som motvekten er stilt inn på.

3.3 Sette batterier i fjernkontrollen

1. Åpne batteriluken på fjernkontrollens bakside ved å skyve den rett ned.
2. Sett i to stk. LR03/AAA-batterier (medfølger ikke). Påse at batteriene ligger riktig vei. Følg merkingen i batteriluken.
3. Sett på batterilokket igjen.

3.4 Kobling til forsterkere

For å kunne bruke platespilleren må den først kobles til en forsterker.

Fordi platespilleren har innebygd RIAA-forskerker skal den ikke kobles til forsterkerens PHONO-inngang, men til et AUX- eller LINE IN-inngang. Hvis den kobles til et PHONO-uttak blir signalene overstyrt, og lyden blir svært dårlig.

- Koble en lavnivåkabel (medfølger) fra lavnivåutgangen (26) på platespillerens bakside til AUX- eller LINE IN-inngangen på en ekstern forsterker (rød kontakt = høyre, hvit = venstre).

3.5 Tilkobling til strømnettet

1. Koble strømledningen til tilkoblingen på platespillerens bakside og koble deretter støpselet til et vegguttak.
2. For å skru strømmen på platespilleren helt av, dra kontakten ut av vegguttaket. Dra også ut støpselet fra vegguttaket ved kraftig tordenvær, for å beskytte anlegget.

3.6 Ekstern lydinnang (AUX-IN)

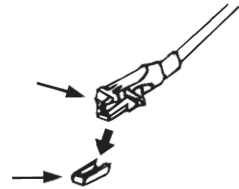
Til inngangen AUX-IN på platespillerens framside kan du koble en ekstern lydkilde med en 3,5 mm stereokontakt for å spille inn den eksterne lydkilden til MP3 på USB-minne/minnekort.

1. Koble den eksterne lydkilden via en kabel med 3,5 mm stereokontakt (medfølger).
2. Sett funksjonsomkobleren på **AUX-IN**.
3. For å spille inn til USB-minne/minnekort, følg instruksjonen i avsnitt **6.2 Spill inn via AUX-inngangen**.

4. Bruk av platespiller

4.1 Spill en plate

1. Fjern forsiktig stiftbeskyttelsen fra pickupen.
2. Sett funksjonsvelgeren (13) på **"PHONO"** for å slå på platespilleren.
3. Plasser en plate på platetallerkenen. Noen singler har stort senterhull. De trenger singleadapteren (18) for å kunne spilles.
4. Velg riktig hastighet for platen med omdreiningssvebelen (24).
5. Løft tonearmen (23) tilbake, løft tonearmspaken (22) og før deretter tonearmen over platen til ønsket spor på platen. Nå skal platetallerkenen begynne å dreie rundt.
6. Fell tonearmen forsiktig ned ved begynnelsen av ønskede sporet. Avspillingen starter.
7. Bytt spor ved å løfte tonearmspaken og deretter føre tonearmen til ønsket spor. Fell ned tonearmspaken ved det ønskede sporet.
8. Trykk på **EJECT** (12) når du vil avslutte avspillingen. Tonearmen løftes automatisk opp og går tilbake til pickupstøtten. Fell tonearmslåsen tilbake og sett stiftbeskyttelsen på igjen når du har lyttet ferdig.



NB!

Da platenes lengde varierer går ikke alltid tonearmen tilbake automatisk ved avsluttet avspilling. Trykk da på **EJECT** for å automatisk løfte og føre tilbake tonearmen.

4.2 Fininnstilling av omdreininger

Pitchkontrollen lar deg fininnstille turtallet.

Fininnstill turtallet ved å endre pitchkontrollen (25) under avspilling, og samtidig se på markeringene som lyses opp av stroboskoplampen (19) på siden av platetallerkenen.

Markeringene på platetallerkenen er inndelt i 3 rader:

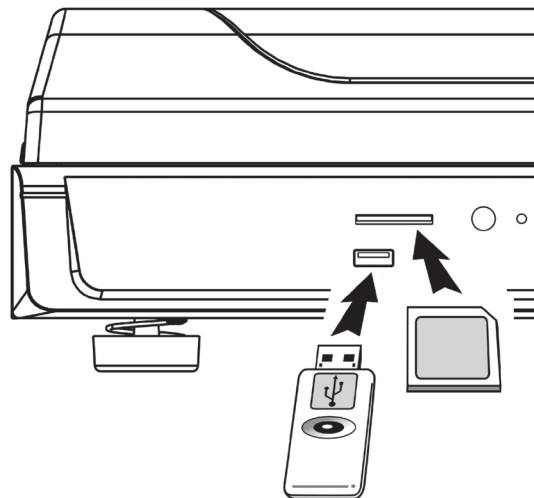
- Den øverste raden brukes for kalibrering ved avspilling av LP-plater.
- Den midtre raden brukes for kalibrering ved avspilling av singler.
- Endre forsiktig pitchkontrollen samtidig som du ser på hvordan markeringene ved stroboskoplampen beveger seg.
 - o Beveger markeringene seg til høyre, går platetallerkenen saktere rundt enn innstilt turtall. Øk hastigheten med pitchkontrollen (+).
 - o Beveger markeringene seg til venstre, dreier platetallerkenen fortere enn innstilt turtall. Minsk hastigheten med pitchkontrollen (-).
 - o Når markeringene oppleves som stillestående er turtallet riktig innstilt.

5. Spill av MP3-filer

Platespilleren kan spille av MP3-filer som er lagret på et USB-minne eller et minnekort.

5.1 Forberedelser

1. Sett funksjonsomkobleren [13] i posisjon **USB/SD** og trykk deretter på **SOURCE** [14] for å velge kilde, USB (USB-minne) eller CARD (minnekort).
2. Sett i et USB-minne i tilkoblingen merket USB eller sett i et minnekort (type SD/MMC) i tilkoblingen merket SD/MMC.
3. Systemet låser inn musikkfilene og displayet viser det totale antallet låter og kataloger som finnes på USB-minnet/minnekortet.



Ta ut USB-minne/minnekortet

Skru alltid av enheten før du fjerner USB-minnet/minnekortet.

- **USB-minne:** Dra USB-minnet rett ut for hånd.
- **Minnekort:** Trykk minnekortet lett innover. Kortet fjæres utover og kan deretter dras ut for hånd.

5.2 Play/Pause/Stopp - ►II/■

Play - Trykk kort for å starte avspillingen.

Paus - Trykk kort for å sette avspillingen på pause. Trykk igjen for å fortsette avspillingen.

Stopp - Trykk og hold inne i ca. 2 sekunder for å stoppe avspillingen.

5.3 Foregående/Neste - I◀◀ / ▶▶I

I◀◀ - Trykk kort for å gå til begynnelsen på aktuelt spor, trykk igjen for å gå til foregående spor. Trykk og hold inne for å hurtigspole bakover.

▶▶I - Trykk for å velge neste spor. Trykk og hold inne for å hurtigspole framover.

NB! Ved hurtigspoling blir lyden stille, og den kommer tilbake når knappen for hurtigspoling slippes.

5.4 Bytt mappe (Folder up)

1. Trykk gjentatte ganger på **FOLDER UP** (15) for å velge mappe, mappens nummer vises ikke.

2. Trykk på **I◀◀** eller **▶▶I** for å velge ønsket spor i den valgte mappen. Trykk **►II/■** for å spille av det valgte sporet.

5.5 Sporinformasjon (ID3)

- Trykk på **INFO** på fjernkontrollen for å vise artist og låttittel. Informasjonen vises i displayet.
- Trykk en gang til for å slutte å vise sporinformasjon.




NB! Informasjon om artist og låt kan kun vises hvis den aktuelle MP3-filen inneholder ID3-informasjon.

5.6 Repeat/Intro/Random

Trykk gjentatte ganger på **REPEAT/INTRO/RAN** (16) for å i aktivere repetisjon i følgende rekkefølge, intro eller avspilling i tilfeldig rekkefølge:

(1) **Repeter et spor** → (2) **Repetera alle** → (3) **Repeter mappe** → (4) **Intro** → (5) **Tilfeldig avspilling** → (6) **Normal avspilling**

Displayet viser valgt funksjon:

	Repeter et spor
	Repetera alle spor
	Repetisjon av en mappe
INTRO	Spiller av 10 sekunder fra begynnelsen på hvert spor
RANDOM	Tilfeldig avspilling

5.7 Programmert avspilling

Opp til 32 spor kan programmeres i valgfri rekkefølge.

1. Stopp avspillingen ved å trykke på **▶II/■**.
2. Trykk en gang på **PROG.** "PROG", programnummer samt spornummer vises i displayet samtidig som programnummeret blinker, f.eks. "P-01-001".
3. Bruk **◀◀** og **▶▶** for å velge det sporet som skal programmeres i det første programminnet.
4. Bekreft med ett trykk på **PROG.** Sporet legges til i det første programminnet.
5. Repeter trinn 3 og 4 for å programmere flere spor.
6. Trykk på **▶II/■** for å starte avspillingen i den rekkefølgen du nettopp har programmert.
7. Trykk og hold inne **▶II/■** for å stoppe avspillingen og tømme programminnet.

5.8 Track separation

For å dele opp en innspilling i flere filer, gjør som følger: Trykk en gang på [TS] (på fjernkontrollen) for å legge inn en pause og lag deretter en ny fil der det neste sporet spilles inn. Gjør på samme måte på alle steder der du ønsker å dele opp innspillingen. For hver gang en ny fil lages vil "PHONO" blinke en gang på skermen.

Obs! Dette må gjøres under innspillingen.

6. Spill inn fra platespilleren/utstyr koblet til AUX-IN -inngangen

Platespilleren kan spille inn fra dine gamle vinylplater eller lyd fra utstyr som er koblet til AUX-inngangen og lagre musikken som MP3-filer på et USB-minne eller minnekort.

MP3-filene lagres i mappen AUDIO som opprettes automatisk på USB-minne/minnekort.

6.1 Spill inn fra platespiller

1. Sett inn et USB-minne eller minnekort i tilkoblingene på platespillerens framside.
2. Sett funksjonsvelgeren (13) på "PHONO".
3. Legg på og forbered den platen du vil spille inn fra (se avsnitt **Bruk platespilleren**).
4. Trykk en gang på **• REC** (8).
"USB" blinker i displayet for å indikere at innspillingen vil skje til USB-minnet. Dersom du istedet vil spille inn på et minnekort, bruk **◀◀** eller **▶▶** for å velge "SD" som målenhet.
5. Trykk en gang til på **• REC** for å starte innspillingen (dersom **• REC** ikke trykkes inn innen 10 sekunder starter innspillingen automatisk).
6. Start avspillingen av ønsket spor på platen. Når innspillingen pågår blinker **REC** i displayet.
7. Ved avsluttet innspilling, trykk en gang til på **• REC**.

NB!

- De innspilte filene lagres i mappen AUDIO på det tilkoblede minnet.
- Innspillingskvaliteten er forhåndsinnstilt på 128 Kbps/44,1 KHz.
- Ingen låtnavn osv. lagres ved innspillingen, disse må legges inn manuelt via en datamaskin.
- For å dele opp innspillingen i forskjellige MP3-filer må dette gjøres manuelt, dvs. følge instruksjonen ovenfor for hver låt du vil spille inn.
- For å avbryte innspillingen, trykk **• REC**.

6.2 Spill inn via AUX-inngangen

1. Sett inn et USB-minne eller minnekort i tilkoblingene på platespillerens framside.
2. Sett funksjonsvelgeren (13) på **AUX-IN**.
3. Forbered og koble til det utstyr som du vil spille inn fra.
4. Trykk en gang på **• REC** (8).
"USB" blinker i displayet for å indikere at innspillingen vil skje til USB-minnet. Dersom du istedet vil spille inn på et minnekort, bruk **◀◀** eller **▶▶** for å velge "SD" som målenhet.
5. Trykk en gang til på **• REC** for å starte innspillingen (dersom **• REC** ikke trykkes inn innen 10 sekunder starter innspillingen automatisk).
6. Start avspillingen på det tilkoblede utstyret. Når innspillingen pågår blinker **REC** i displayet.
7. Ved avsluttet innspilling, trykk en gang til på **• REC**.

NB!

- De innspilte filene lagres i mappen AUDIO på det tilkoblede minnet.
- Innspillingskvaliteten er forhåndsinnstilt på 128 Kbps/44,1 KHz.
- Ingen låtnavn osv. lagres ved innspillingen, disse må legges inn manuelt via en datamaskin.
- For å dele opp innspillingen i forskjellige MP3-filer må dette gjøres manuelt, dvs. følge instruksjonen ovenfor for hver låt du vil spille inn.
- For å avbryte innspillingen, trykk **• REC**.

6.3 Velg innspillingskvalitet


Velg innspillingskvalitet for innspilte filer fra plate til MP3.

1. Sett funksjonsomkobleren på **PHONO** eller **AUX-IN**.
2. Trykk **INFO** på fjernkontrollen, aktuell innspillingskvalitet vises i displayet.
3. Trykk **◀◀** og **▶▶** for å velge innspillingskvalitet. 32/64/96/128/192 eller 256 Kbps.
4. Trykken gang til på **INFO** for å bekrefte ditt valg.


7. Avansert bruk

7.1 Kopier mellom USB-minne og minnekortet

Kopier en fil:

1. Sett inn et USB-minne og et minnekort. Sett deretter funksjonsvelgeren på **USB/SD**.
2. Trykk **SOURCE** for å velge det minne som filen du vill kopiere ligger på.
3. Velg det sporet du vil spille av og start avspillingen.
4. Trykk på **• REC** for å starte kopieringen av det aktuelle sporet, symbolet **REC** og  blinker i displayet samtidig som forløpsindikatoren teller oppover.
5. Når forløpsindikatoren har nådd "100" er kopieringen klar.

Kopier alle filer:

1. Sett inn et USB-minne og et minnekort. Sett deretter funksjonsvelgeren på **USB/SD**.
2. Trykk **SOURCE** for å velge det minne du vil kopiere filene fra.
3. Trykk på **• REC** for å starte kopieringen, symbolet **REC** og  blinker i displayet samtidig som forløpsindikatoren teller oppover.
4. Når forløpsindikatoren har nådd "100" er kopieringen av et spor klar og kopieringen fortsetter med neste spor.

NB!

- De kopierte filene lagres i mappen FCOPY på det tilkoblede minnet.
- For å avbryte kopieringen, trykk og hold inne **▶ II/■**.

7.2 Slett filer

Slett en fil:

1. Sett inn et USB-minne og et minnekort. Sett deretter funksjonsvelgeren på **USB/SD**.
2. Trykk **SOURCE** for å velge det minne som filen du vil slette ligger på.
3. Trykk og hold inne **INFO** på fjernkontrollen i ca. 3 sekunder. Displayet viser "DEL - 001".
4. Velg ønsket fil med **I◀◀** och **▶▶I**.
5. Trykk på **• REC**, "NO" blinker.
6. Velg "YES" med **I◀◀** eller **▶▶I**.
7. Trykk en gang til på **• REC** for å bekrefte. Filen slettes og displayet viser "DELETE" og deretter "DEL -001".
8. Foreta trinn 4 til 7 en gang til for å fjerne flere filer eller trykk **▶ II/■** for å gå tilbake.

Slett alle filer:

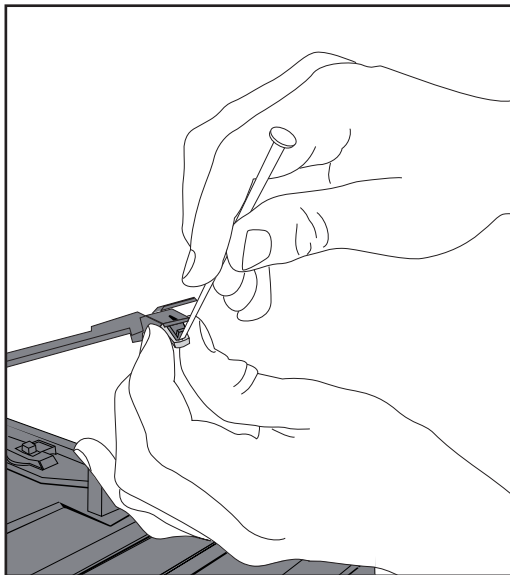
1. Sett inn et USB-minne og et minnekort. Sett deretter funksjonsvelgeren på **USB/SD**.
2. Trykk **SOURCE** for å velge det minne som filen du vil slette ligger på.
3. Trykk og hold inne **INFO** på fjernkontrollen i ca. 3 sekunder. Displayet viser "DEL - 001".
4. Trykk og hold inne **INFO** en gang til, "FORMAT / N" vises i displayet..
5. Velg "FORMAT/Y" med **I◀◀** eller **▶▶I**.
6. Trykk på **• REC** for å bekrefte.
7. Alle filer på det tilkoblede minnet slettes når du velger "FORMAT/Y". Displayet viser "FORMAT" i kort tid og deretter "NO FILE" når filene er slettet.

8. Stell og vedlikehold

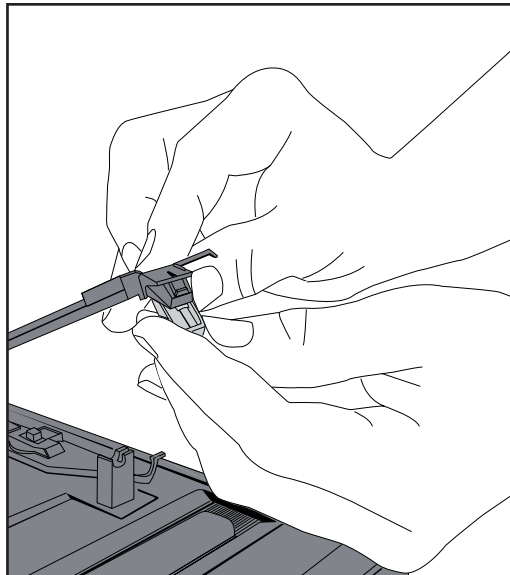
8.1 Rengjøring

- Rengjør støvete plater med en platebørste.
- Lukk alltid dekselet når platespilleren ikke er i bruk. Dette for å forhindre at støv samler seg på platetallerkenen og stiften.
- Platespilleren kan tørkes med en lett fuktet klut.

8.2 Bytte av stift



1. Hold i pickupen med den ene hånden og trykk ned en liten skrutrekker i framkanten mellom pickupen og stiften. Bøy skrutrekkeren forsiktig bakover som vist på bildet så stiften løsner.



2. Sett inn en ny stift ved å trykke den ned i bakkant først. Trykk den deretter ned i forkant.

8.3 Tonearmens stopposisjon kan justeres med justeringsskruen (28) på følgende måte:

Fjern gummibeskyttelsen før du justerer tonearmens stopposisjon.

Tonearmen går tilbake til utgangsposisjonen før platen er ferdigspilt:

Bruk en stjernetrekker og vri justeringsskruen (28) medurs for å justere tonearmens stopposisjon mot platens sentrum.

Tonearmen går ikke tilbake til tross for at platen er avspilt:

Bruk en stjernetrekker og vri justeringsskruen (28) moturs for å justere tonearmens stopposisjon fra platens sentrum.

Anmerking:

Stopposisjonen kan variere mellom forskjellige plater. Den fabrikkinnstilte stopposisjonen er basert på de oftest forekommende platepressingene.

9. Avfallshåndtering

Når du skal kvitte deg med produktet, skal dette skje i henhold til lokale forskrifter. Er du usikker på hvordan du går fram, ta kontakt med lokale myndigheter.

10. Spesifikasjoner

Spenning: 220-240 V AC, 50 Hz

Hastighet platespiller: 33/45 o/min (valgfritt)

Bitrate, MP3: 32-256 Kbps

Levysoitin, jossa USB-liitäntä

Tuotenumero 38-2999 • Malli TT-989E

Lue käyttöohjeet ennen tuotteen käyttöönottoa. Säilytä käyttöohjeet tulevaa tarvetta varten. Pidätämme oikeuden teknisten tietojen muutoksiin. Emme vastaa mahdollisista teksti- tai kuvavirheistä. Jos laitteeseen tulee teknisiä ongelmia, ota yhteys myymälään tai asiakaspalveluun (yhteystiedot käyttöohjeen lopussa).

Sisällysluettelo

1. **Turvallisuus**
2. **Painikkeet ja toiminnot**
 - 2.1 Levysoitin
 - 2.2 Kaukosäädin
3. **Käytön aloittaminen**
 - 3.1 Vastapainon asentaminen – neulapainon säätäminen
 - 3.2 Sivuttaisvedon korjauksen säätäminen
 - 3.3 Kaukosäätimen paristojen asettaminen
 - 3.4 Liittäminen vahvistimeen
 - 3.5 Liittäminen sähköverkkoon
 - 3.6 Ulkoinen ääniliitäntä (AUX-IN)
4. **Levysoitin**
 - 4.1 Levyn toisto
 - 4.2 Kierrosluvun hienosäätö
5. **Mp3-tiedostojen toistaminen**
 - 5.1 Esivalmistelut
 - 5.2 Play/Pause/Stop - ►||■
 - 5.3 Edellinen/Seuraava - I◀◀ / ▶▶I
 - 5.4 Vaihda kansiota (Folder up)
 - 5.5 Raitojen tiedot (ID3)
 - 5.6 Repeat/Intro/Random
 - 5.7 Ohjelmoitu toisto
 - 5.8 Track separation
6. **Levysoittimesta/AUX-IN -liitäntään liitetystä laitteesta tallentaminen**
 - 6.1 Tallentaminen levysoittimesta
 - 6.2 Tallentaminen AUX IN -liitäntään kautta
 - 6.3 Tallennuslaadun valitseminen
7. **Muut ominaisuudet**
 - 7.1 USB-muistin ja muistikortin välillä kopioiminen
 - 7.2 Tiedostojen poistaminen
8. **Huolto ja ylläpito**
 - 8.1 Puhdistaminen
 - 8.2 Neulan vaihto
 - 8.3 Äänivarren pysäytysasentoa voidaan säätää säätöruuvilla (28) seuraavalla tavalla
9. **Kierrätys**
10. **Tekniset tiedot**

1. Turvallisuus

- Laitteen saa korjata vain valtuutettu huoltoliike.
- Älä pura tai muuta laitetta.
- Älä sijoita laitetta sellaiseen paikkaan, josta se voi tippua veteen tai muuhun nesteeseen. Älä pane laitteen päälle nesteitä sisältäviä esineitä, kuten maljakoita tai limsapulloja.
- Sammuta mahdollinen valmiustila yön ajaksi ja poistuessasi kotoa.
- Valintakytkimellä ei voi erottaa laitetta verkkovirrasta. Irrota laite kokonaan sähköverkosta irrottamalla laitteen verkkojohto pistorasiasta.
- Varmista, että se pistorasia, mihin laite on liitetty, on helposti ulottuvilla, koska laitteen pistoketta käytetään liittämään ja irrottamaan laite verkkovirrasta.
- Varmista, että laitteen takaosan arvokilpeen merkitty jännite on sama, kuin sähköverkkosi jännite.
- Älä peitä laitetta. Riittävä ilmastointi (vähintään 15 cm ilmastointiaukon ja ympäröivän pinnan välillä) on välttämätön, jotta laitteen ylikuumeneminen estetään.
- Älä käytä laitetta kosteissa tai pölyisissä tiloissa tai paikoissa, joissa siihen kohdistuu voimakasta värähtelyä.
- Älä kuuntele kuulokkeista kovaäänistä musiikkia pitkäkestoisesti, se voi vahingoittaa kuuloasi.



Varoitus! Älä avaa laitteen kotelo! Kotelon sisällä on vaarallista jännitettä sisältäviä suojaamattomia komponentteja, jotka voivat aiheuttaa sähköiskun.



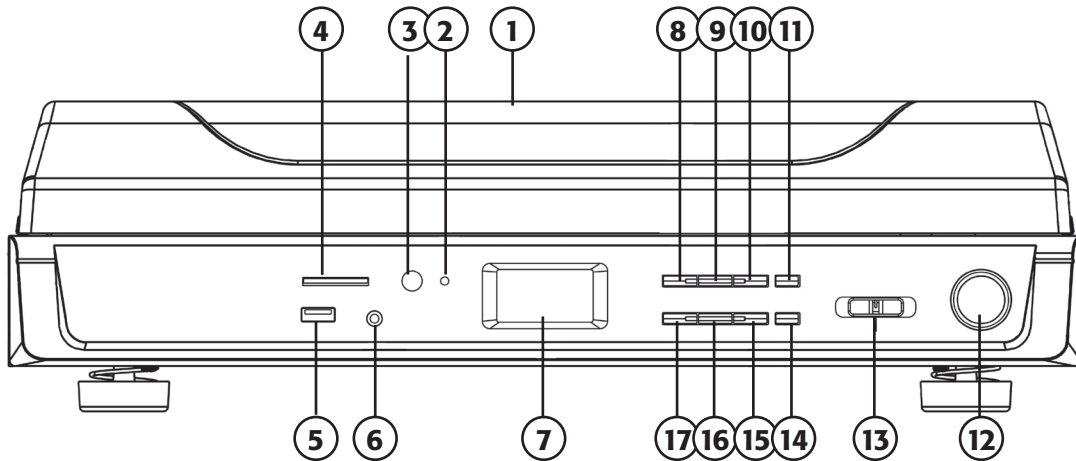
Cd-soittimessa

LUOKAN 1 LASERLAITE

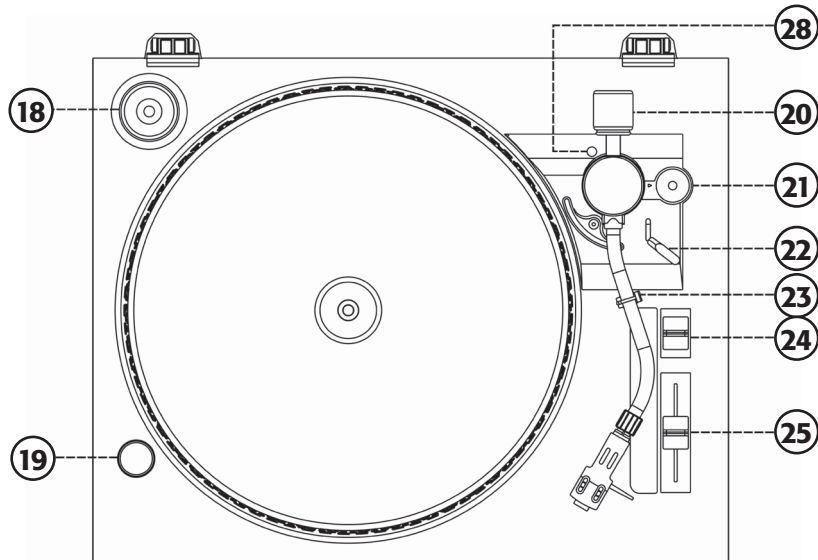
Varoitus! Älä avaa laitteen kotelo! Näkymätön lasersäde voi aiheuttaa silmävaurioita. Älä katso säteeseen edes optisten instrumenttien läpi.

2. Painikkeet ja toiminnot

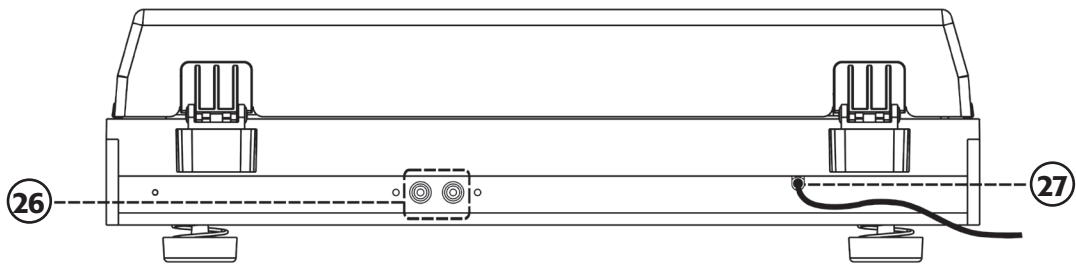
2.1 Levysoitin



1. Kansi/Pölysuoja
2. Toiminnon näyttö
3. Infrapunatunnistin kaukosäädintä varten
4. Liitäntä SD-kortille
5. USB-liitäntä
6. AUX IN – Ulkoisen äänilähteen liitäntä (3,5 mm)
7. Näyttö
8. ● REC – Tallennus USB-muistiin/muistikortille
9. I◀◀ – Edellinen raita
10. ▶▶I – Seuraava raita
11. ▶II / ■ – Play/Pause/Stop
12. EJECT – Äänivarren palautus
13. Toiminnonvalitsin (STANDBY/PHONO/USB/SD/AUX-IN)
14. SOURCE – Valitse USB-muisti tai SD-muistikortti
15. FOLDER UP – Siirry toiseen kansioon (mp3-soittimella)
16. REPEAT/INTRO/RAN – Uudelleentoisto/Intro/Satunnaistoisto (mp3-soittimella)
17. PROG – Ohjelmoitu toisto (mp3-soittimella)



18. Levysovitin
19. Stroboskooppilamppu
20. Vastapaino – Neulapainon säätämiseen
21. ANTI-SKATING – Sivuttaisvedon korjaus
22. Äänivarren vipu
23. Äänivarren lukitus
24. Kierroslukivalitsin 33/45 k./min
25. Pitch-säädin – Nopeuden säätö



26. LINE OUT – Matalatasoliitintä vahvistimelle (2 x RCA)

27. Verkkojohto ja pistoke

28. Säätöruuvi ja kumisuoja

2.2 Kaukosäädin

FIND – Tiedoston nimen haku (mp3-soittimella)

INFO – Valitse tallennuksen laatu (Encoding Bitrate)

REC – Paina ja aloita tallentaminen tai kopiointi

REP/INTRO/RAN – Uudelleentoisto/Intro/Satunnaistoisto (mp3-soittimella)

PROGRAM – Ohjelmoitu toisto (mp3-soittimella)

▶|| – Play/Pause

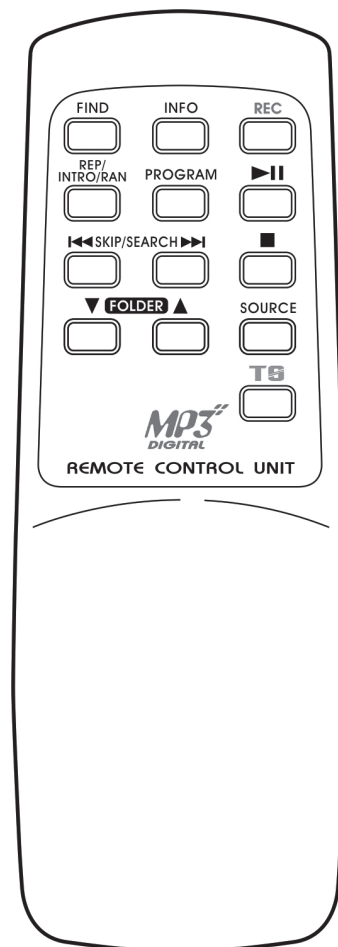
◀◀ - ▶▶ – Edellinen/Seuraava raita

■ – Keskeytä mp3-toisto/Poista tallennettu ohjelma

FOLDER ▼▲ – Siirry toiseen kansioon (mp3-soittimella)

SOURCE – Valitse USB-muisti tai SD-muistikortti

TS (Track separation) – Tallennuksen jakaminen useaan tiedostoon

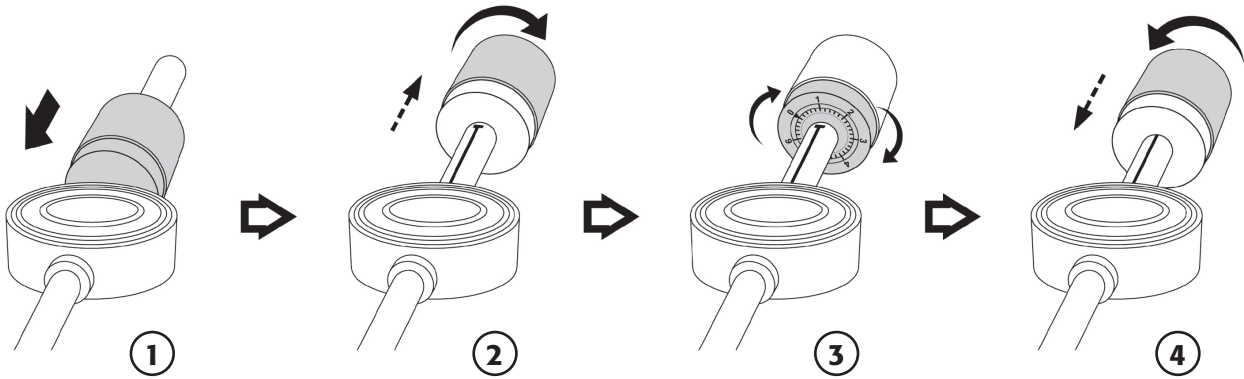


3. Käytön aloittaminen

Huom.! Älä liitä levysoitinta verkkovirtaan ennen kuin kaikki liitännät ja valmistelut on suoritettu.

3.1 Vastapainon asentaminen – neulapainon säätäminen

Vastapainoa ei ole asennettu valmiiksi toimitusvaiheessa ja se on pakattuna erikseen.



1. Työnnä paino päätyasentoon ja käännä sitä vastapäivään kunnes se naksahtaa kohdalleen.
2. Käännä metallirengasta myötäpäivään valkoiseen viivaan asti.
3. Käännä mustaa rengasta siten, että "0" osoittaa suoraan ylöspäin.
4. Aseta sitten haluamasi paino kääntämällä metallirengasta vastapäivään. Suositeltu paino on 2–4 grammaa.

3.2 Sivuttaisvedon korjauksen säätäminen

- Säädä Anti-Skating -kahva (21) samansuuruiseksi, kuin vastapaino on asetettu.

3.3 Kaukosäätimen paristojen asettaminen

1. Avaa kaukosäätimen takapuolella olevan paristolokeron kansi työntämällä sitä suoraan alaspäin.
2. Laita koteloon kaksi LR03/AAA-paristoa (eivät sisälly). Varmista, että paristot tulevat oikein päin.
3. Pane paristolokeron kansi takaisin paikalleen.

3.4 Liittäminen vahvistimeen

Jotta levysoitinta voitaisiin käyttää, tulee se ensin liittää vahvistimeen.

Levysoittimessa on sisäinen RIAA-vahvistin. Siksi sitä ei liitetä vahvistimen PHONO-liitäntään, vaan AUX- tai LINE IN -liitäntään. Äänentoistosignaali ylioheutuu ja äänentoiston laatu kärsii, jos liität levysoittimen PHONO-liitäntään.

- Liitä matalatasojohto (sisältyy pakkaukseen) levysoittimen takaosan matalatasoliitännästä (26) ulkoisen vahvistimen AUX- tai LINE IN -liitäntään (punainen liitin = oikea, valkoinen = vasen).

3.5 Liittäminen sähköverkkoon

1. Liitä sähköjohto levysoittimen takaosan liitäntään ja pistoke seinäpistorasiaan.
2. Katkaise laitteesta virta kokonaan irrottamalla pistoke pistorasiasta. Irrota pistoke pistorasiasta myös voimakkaalla ukonilmalla.

3.6 Ulkoinen ääniliitäntä (AUX-IN)

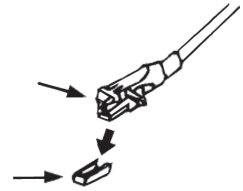
Levysoittimen etupuolella olevaan AUX IN -liitäntään voit liittää ulkoisen äänilähteen, jossa on 3,5 mm:n stereoliitäntä. Näin voit tallentaa ulkoisesta äänilähteestä mp3-muotoon USB-muistiin/muistikortille.

1. Liitä ulkoinen äänilähde kaapelilla, jossa on 3,5 mm:n stereopistoke (sisältyy).
2. Aseta toiminnonvalitsin asentoon **AUX-IN**.
3. Tallentaaksesi USB-muistiin tai muistikortille, noudata luvussa 6.2 Tallentaminen AUX IN -liitännän kautta olevia ohjeita.

4. Levysoitin

4.1 Levyn toisto

1. Poista neulasuoja varovasti äänirasiasta.
2. Laita levysoitin päälle asettamalla toiminnonvalitsin (13) asentoon **PHONO**.
3. Aseta levy levylautaselle. Joissakin 45 kierroksen levyissä on suuri keskireikä, joiden soittamiseen tarvitaan levysovitinta (18).
4. Valitse oikea soitt nopeus kierroslukuvalitsimella (24) levyn mukaan.
5. Taita äänivarren lukitus (23) takaisin, nosta äänivarren vipu (22) ja ohjaa äänivarsi levyn yli halutun raidan kohdalle. Levylautanen alkaa pyöriä.
6. Paina äänivarren vipu varovasti alas haluamasi raidan alkuun. Toisto alkaa.
7. Vaihda raitaa nostamalla äänivarren vipu ja siirtämällä se seuraavalle haluamallesi raidalle. Taita vipu alas raidan kohdalla.
8. Paina **EJECT** (12) kun haluat lopettaa toiston. Äänivarsi nousee automaattisesti ja palautuu tuen päälle. Laske äänivarren lukitus takaisin ja aseta neulasuoja takaisin lopetettuasi musiikin kuuntelun



Huom.!

Levyjen pituus voi vaihdella ja siksi äänivarsi ei aina palaudu takaisin automaattisesti toiston päätyttyä. Äänivarsi palautuu automaattisesti paikoilleen, kun painat **EJECT**-painiketta.

4.2 Kierrosluvun hienosäätö

Pitch-säätimellä voi hienosäätää kierroslukua.

Hienosäädä kierroslukua toiston aikana muuttamalla pitch-säätimellä (25) samalla kuin katsot merkintöjä, jotka stroboskoopilamppu (19) valaisee levylautasen vieressä.

Levylautasen merkinnät on jaettu kolmelle riville:

- Ylintä riviä käytetään kalibrointiin 33 kierroksen levyjä toistettaessa.
- Keskimmäistä riviä käytetään kalibrointiin 45 kierroksen levyjä toistettaessa.
- Muuta pitch-säätimellä varovasti samalla kun seuraat, miten stroboskoopilampun vieressä olevat merkinnät liikkuvat:
 - o Jos merkinnät liikkuvat oikealle, levylautanen pyörii hitaammin kuin mitä kierrosluvuksi on asetettu. Lisää nopeutta pitch-säätimellä (+).
 - o Jos merkinnät liikkuvat vasemmalle, levylautanen pyörii nopeammin kuin mitä kierrosluvuksi on asetettu. Lisää nopeutta pitch-säätimellä (-).
 - o Kun merkinnät näyttävät olevan paikoillaan, on kierrosluku asetettu oikein.

5. Mp3-tiedostojen toistaminen

Levysoitin toistaa mp3-tiedostoja, jotka on tallennettu USB-muistiin tai muistikortille.

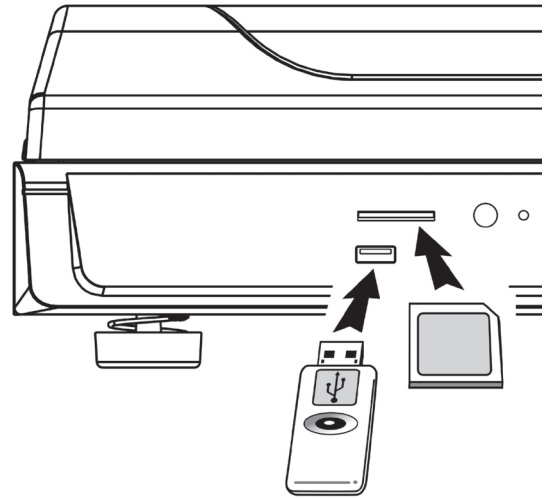
5.1 Esivalmistelut

1. Säädä toimintovalitsin (13) **USB/SD**-tilaan ja paina valitse musiikin lähde (USB-muisti tai muistikortti) painamalla **SOURCE** (14).
2. Liitä USB-muisti USB-merkittyyn liitäntään tai aseta muistikortti (SD/MMC) SD/MMC-merkittyyn liitäntään.
3. Laite lukee musiikkitiedostot ja näytöllä näkyy USB-muistissa/muistikortilla olevien kappaleiden ja kansioiden kokonaismäärä.

Poista USB-muisti/muistikortti

Katkaise laitteesta aina virta, ennen kuin poistat USB-muistin/muistikortin.

- **USB-muisti:** Vedä muistia suoraan ulospäin.
- **Muistikortti:** Paina muistikorttia kevyesti sisään, kortti ponnahtaa ulospäin ja on sitten helppo vetää ulos.



5.2 Play/Pause/Stop - ►/■

Play – Paina ja aloita toisto.

Pause – Paina nopeasti ja keskeytä toisto. Paina uudelleen jatkaaksesi toistoa.

Stop – Paina ja pidä pohjassa noin 2 sekuntia lopettaaksesi toiston.

5.3 Edellinen/Seuraava - ◀◀ / ▶▶

◀◀ – Paina palataksesi toistettavan raidan alkuun, paina uudestaan siirtyäksesi edelliseen raitaan. Pidä painiketta pohjassa ja pikakelaa taaksepäin.

▶▶ – Paina ja valitse seuraava raita. Pidä painiketta pohjassa ja pikakelaa eteenpäin.

Huom.! Pikakelatessa laitteesta ei kuulu ääntä. Ääni jatkuu, kun pikakelauspainike päästetään.

5.4 Vaihda kansiota (Folder up)

1. Paina useita kertoja **FOLDER UP** -painiketta (15) valitaksesi haluamasi kansion. Kansion numero näkyy näytöllä.
2. Paina **◀◀** tai **▶▶** ja valitse haluamasi raita valitusta kansiota. Toista valittu raita painamalla **►/■**.

5.5 Raitojen tiedot (ID3)

- Paina kaukosäätimen **INFO**-painiketta ja näet toistettavan kappaleen nimen ja esittäjän. Tiedot näkyvät näytöllä.
- Painaa painiketta toistamiseen ja tiedot katoavat.




Huom.! Tiedot esittäjästä ja kappaleesta näkyvät vain, jos toistettava mp3-tiedosto sisältää ID3-informaatiota.

5.6 Repeat/Intro/Random

Paina useita kertoja **REPEAT/INTRO/RAN** -painiketta (16) aktivoitaksesi uudelleentoiston, intron tai satunnaistoiston seuraavassa järjestyksessä:

(1) **Uudelleentoista yksi raita** → (2) **Uudelleentoista kaikki** → (3) **Uudelleentoista kansio** → (4) **Intro** → (5) **Satunnaistoisto** → (6) **Normaali toisto**

Valittu toiminto näkyy näytöllä:

	Raidan uudelleentoisto
	Uudelleentoistaa kaikki raidat
	Yhden kansion uudelleentoisto
INTRO	Toistaa jokaisen raidan ensimmäiset 10 sekuntia.
RANDOM	Satunnaistoisto

5.7 Ohjelmoitu toisto

Soitin voidaan ohjelmoida toistamaan jopa 32 raitaa halutussa järjestyksessä.

1. Lopeta toisto painamalla **▶||■**.
2. Paina kerran **PROG**. "PROG", ohjelmointinumero ja raidan numero näkyvät näytöllä samalla kun ohjelmointinumero vilkkuu, esim. "P-01-001".
3. Valitse ensimmäiseen muistiin ohjelmoitava raita painikkeilla **◀◀** ja **▶▶**.
4. Vahvista painamalla kerran **PROG**. Raita lisätään ensimmäiseen muistiin.
5. Toista kohdat 3 ja 4 muiden raitojen ohjelmoimiseksi.
6. Aloita ohjelmoitu toisto painamalla **▶||■**.
7. Lopeta toisto ja tyhjennä muisti painamalla ja pitämällä pohjassa **▶||■**-painiketta.

5.8 Track separation

Jos haluat jakaa tallennetut raidat useammaksi tiedostoksi, toimi seuraavasti: Syöta tauko ja luo uusi tiedosto, johon seuraava raita tallentuu painamalla kerran [TS] (kaukosäätimestä). Tee samalla tavalla kaikissa niissä kohdissa, joissa haluat luoda uuden tiedoston. Joka kerta kun luot uuden tiedoston, vilkkuu "PHONO"-symboli kerran näytöllä.

Huom.! Raidat voi jakaa erillisiksi tiedostoiksi ainoastaan tallennuksen aikana.

6. Levysoittimesta/AUX-IN -liitäntään liitetystä laitteesta tallentaminen

Levysoitin voi tallentaa musiikkia vanhoilta vinylilevyiltäsi tai AUX-IN -liitäntään liitetystä laitteesta mp3-muodossa USB-muistiin tai muistikorttiin. Mp3-tiedostot tallennetaan automaattisesti kansioon AUDIO, joka luodaan automaattisesti USB-muistiisi/muistikortillesi.

6.1 Tallentaminen levysoittimesta

1. Liitä USB-muisti tai muistikortti soittimen etupuolen liitäntöihin.
2. Aseta toimintovalitsin (13) asentoon **PHONO**.
3. Aseta levylautaselle soittovalmiiksi se levy, jolta haluat tallentaa (katso kohdasta **Levysoitin**).
4. Paina kerran • **REC** (8).
Näytöllä vilkkuu teksti "USB", joka osoittaa, että musiikki tallentuu USB-musiitiin. Jos haluat tallentaa muistikortille, valitse kohdeyksiköksi "SD" painikkeilla **I◀◀** ja **▶▶I**.
5. Aloita tallennus painamalla uudestaan • **REC** (jos • **REC** -painiketta ei paineta 10 sekuntiin, alkaa tallennus automaattisesti).
6. Aloita haluamasi raidan toisto. Toiston aikana näytöllä vilkkuu **REC**.
7. Kun tallennus on päättynyt, paina uudestaan • **REC**.

Huom.!

- Tallennetut tiedostot tallentuvat liitetyn muistin kansioon AUDIO.
- Esiasetettu tallennuslaatu on 128 Kbps/44,1 KHz.
- Kappaleiden nimet ja muut niitä koskevat tiedot eivät tallennu nauhoituksen aikana. Ne pitää lisätä manuaalisesti tietokoneen kautta.
- Tallennetun musiikin jakaminen eri mp3-tiedostoihin täytyy tehdä manuaalisesti. Noudata yllä olevia ohjeita jokaisen raidan kohdalla, jonka haluat tallentaa.
- Keskeytä tallennus painamalla • **REC**.

6.2 Tallentaminen AUX IN -liitännän kautta

1. Liitä USB-muisti tai muistikortti soittimen etupuolen liitäntöihin.
2. Aseta toimintovalitsin (13) asentoon **AUX-IN**.
3. Liitä liitäntään se laite, josta haluat tallentaa.
4. Paina kerran • **REC** (8).
Näytöllä vilkkuu teksti "USB", joka osoittaa, että musiikki tallentuu USB-musiitiin. Jos haluat tallentaa muistikortille, valitse kohdeyksiköksi "SD" painikkeilla **I◀◀** ja **▶▶I**.
5. Aloita tallennus painamalla uudestaan • **REC** (jos • **REC** -painiketta ei paineta 10 sekuntiin, alkaa tallennus automaattisesti).
6. Aloita toisto liitetyssä laitteessa. Toiston aikana näytöllä vilkkuu **REC**.
7. Kun tallennus on päättynyt, paina uudestaan • **REC**.

Huom.!

- Tallennetut tiedostot tallentuvat liitetyn muistin kansioon AUDIO.
- Esiasetettu tallennuslaatu on 128 Kbps/44,1 KHz.
- Kappaleiden nimet ja muut niitä koskevat tiedot eivät tallennu nauhoituksen aikana. Ne pitää lisätä manuaalisesti tietokoneen kautta.
- Tallennetun musiikin jakaminen eri mp3-tiedostoihin täytyy tehdä manuaalisesti. Noudata yllä olevia ohjeita jokaisen raidan kohdalla, jonka haluat tallentaa.
- Keskeytä tallennus painamalla • **REC**.

6.3 Tallennuslaadun valitseminen



Valitse levyltä mp3-tiedostoon tallentuvien tiedostojen tallennuslaatu.

1. Aseta toiminnonvalitsin asentoon **PHONO** tai **AUX-IN**.
2. Paina kaukosäätimen **INFO**-painiketta ja sen hetkinen tallennuslaatu näkyy näytöllä.
3. Valitse tallennuksen laatu näppäimillä **I◀◀** ja **▶▶I**: 32/64/96/128/192 tai 256 Kbps.
4. Hyväksy valinta painamalla uudestaan **INFO**.



7. Muut ominaisuudet

7.1 USB-muistin ja muistikortin välillä kopioiminen

Tiedoston kopioiminen:

1. Liitä USB-muisti ja muistikortti. Aseta toiminnonvalitsin sen jälkeen **USB/SD**-asentoon.
2. Valitse muisti, jossa kopioitava tiedosto sijaitsee painamalla **SOURCE**.
3. Valitse se raita, jonka haluat toistaa ja aloita toisto.
4. Aloita raidan kopiointi painamalla **• REC**, kuvakkeet  ja  vilkkuvat näytöllä samanaikaisesti kun etenemispalkki laskee ylöspäin.
5. Kun etenemispalkki on laskenut sataan ("100"), on kopiointi valmis.

Kaikkien tiedostojen kopiointi:

1. Liitä USB-muisti ja muistikortti. Aseta toiminnonvalitsin sen jälkeen **USB/SD**-asentoon.
2. Valitse muisti, jossa kopioitavat tiedostot sijaitsevat painamalla **SOURCE**.
3. Aloita kopiointi painamalla **• REC**, kuvakkeet  ja  vilkkuvat näytöllä samanaikaisesti kun etenemispalkki laskee ylöspäin.
4. Kun etenemispalkki on laskenut sataan, on yhden raidan kopiointi valmis ja seuraavan raidan kopiointi alkaa.

Huom.!

- Kopioidut tiedostot tallentuvat liitetyn muistin kansioon FCOPY.
- Keskeytä kopiointi painamalla ja pitämällä pohjassa **▶ II/■**.

7.2 Tiedostojen poistaminen

Tiedoston poisto:

1. Liitä USB-muisti ja muistikortti. Aseta toiminnonvalitsin sen jälkeen **USB/SD**-asentoon.
2. Valitse muisti, jossa poistettava tiedosto sijaitsee painamalla **SOURCE**.
3. Pidä kaukosäätimen **INFO**-painiketta painettuna noin kolmen sekunnin ajan. Näytöllä lukee "DEL -001".
4. Valitse haluamasi tiedosto **◀◀** ja **▶▶**-painikkeilla.
5. Paina **• REC**, "NO" vilkkuu.
6. Valitse "YES" painamalla **◀◀** tai **▶▶**.
7. Vahvasta painamalla uudestaan **• REC**. Tiedosto poistetaan ja näytöllä lukee "DELETE" ja sen jälkeen "DEL -001".
8. Toista kohdat 4–7 poistaaksesi lisää tiedostoja tai palaa painamalla **▶ II/■**.

Kaikkien tiedostojen poisto:

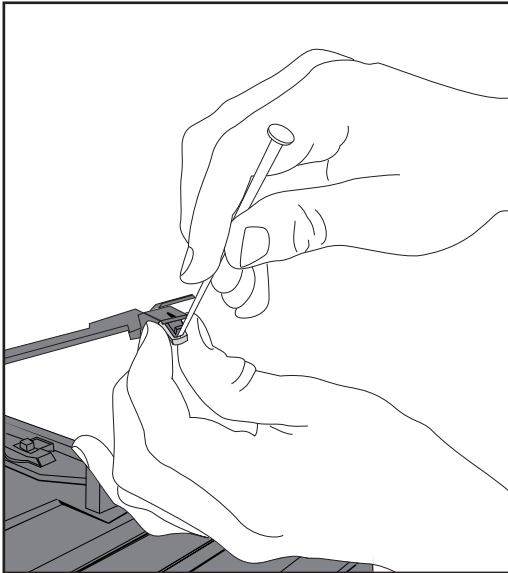
1. Liitä USB-muisti ja muistikortti. Aseta toiminnonvalitsin sen jälkeen **USB/SD**-asentoon.
2. Valitse muisti, jossa poistettava tiedosto sijaitsee painamalla **SOURCE**.
3. Pidä kaukosäätimen **INFO**-painiketta painettuna noin kolmen sekunnin ajan. Näytöllä lukee "DEL -001".
4. Paina ja pidä **INFO**-painiketta pohjassa, näytöllä lukee "FORMAT / N".
5. Valitse "FORMAT/Y" painikkeella **◀◀** tai **▶▶**.
6. Vahvasta painamalla **• REC**.
7. Kaikki liitetyn muistin tiedostot poistetaan, kun valitset vaihtoehdon "FORMAT/Y". Näytöllä lukee ensin hetken "FORMAT" ja sitten "NO FILE", kun tiedostot on poistettu.

8. Huolto ja ylläpito

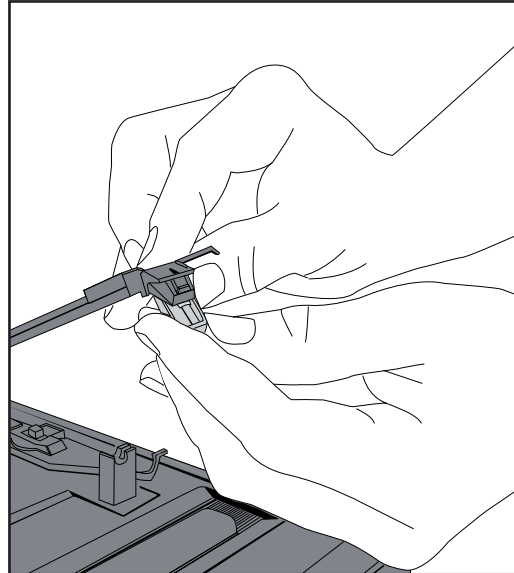
8.1 Puhdistaminen

- Puhdista pölyiset levyt levyharjalla.
- Pidä kansi alhaalla, kun levysoitinta ei käytetä. Tämä estää pölyn kertymisen levylautaselle ja neulaan.
- Kuivaa ainoastaan kevyesti kostutetulla liinalla.

8.2 Neulan vaihto



1. Pidä äänirasiasta toisella kädellä ja paina pieni ruuvitaltta etureunasta äänirasian ja neulan väliin. Väännä talttaa varovaisesti taaksepäin kuvan osoittamalla tavalla, jotta neula irtoaisi.



2. Aseta uusi neula painamalla se ensin kiinni takaosaan. Paina se sitten kiinni myös etuosaan.

8.3 Äänivarren pysäytysasentoa voidaan säätää säätöruuvilla (28) seuraavalla tavalla:

Poista kumisuoja ennen äänivarren pysäytysasennon säätämistä!

Äänivarsi palaa alkuasentoon ennen kuin levy on soinut loppuun:

Kierrä säätöruuvia (28) myötäpäivään säätääksesi äänivarren pysäytysasentoa kohti levyn keskiosaa.

Äänivarsi ei palaa alkuun, vaikka levy on soinut loppuun:

Kierrä säätöruuvia (28) vastapäivään säätääksesi äänivarren pysäytysasentoa pois levyn keskiosasta.

Huomautus:

Pysäytysasento saattaa vaihdella eri levyissä. Tehdasasetuksena oleva pysäytysasento on säädetty tavallisimpien LP-levyjen mukaan.

9. Kierrätys

Kierrätä tuote asianmukaisesti, kun poistat sen käytöstä. Ota yhteys kuntasi jäteneuvontaan, mikäli olet epävarma.

10. Tekniset tiedot

Nimellisjännite	220-240 V AC, 50 Hz
Levysoittimen kierrosnopeudet	33/45 kierr./min (valinnainen)
Bitrate, mp3	32–256 Kbps

SVERIGE

KUNDTJÄNST Tel: 0247/445 00
Fax: 0247/445 09
E-post: kundtjanst@clasohlson.se

INTERNET www.clasohlson.se

BREV Clas Ohlson AB, 793 85 INSJÖN

NORGE

KUNDESENTER Tlf.: 23 21 40 00
Faks: 23 21 40 80
E-post: kundesenter@clasohlson.no

INTERNETT www.clasohlson.no

POST Clas Ohlson AS, Postboks 485 Sentrum, 0105 OSLO

SUOMI

ASIAKASPALVELU Puh: 020 111 2222
Faksi: 020 111 2221
Sähköposti: info@clasohlson.fi

INTERNET www.clasohlson.fi

OSOITE Clas Ohlson Oy, Yrjönkatu 23 A, 00100 HELSINKI

GREAT BRITAIN

For consumer contact, please visit
www.clasohlson.co.uk and click on
customer service.

INTERNET www.clasohlson.co.uk

CLAS OHLSON