

# DVD/MPEG4 Player

DVD/MPEG4-spelare

Dvd/mpeg4-spiller

Dvd-/MPEG4-soitin



<b>Art.no.</b>	<b>Model</b>
<b>18-8108</b>	<b>M251-UK</b>
<b>38-3301</b>	<b>M251</b>

Ver. 200906

**CLAS OHLSON**

[www.clasohlson.com](http://www.clasohlson.com)

ENGLISH

SVENSKA

NORSK

SUOMI



# DVD/MPEG4 Player

Art.no. 18-8108    Model M251-UK  
38-3301                    M251

Please read the entire instruction manual before using the product and save it for future reference. We reserve the right for any errors in text or images and any necessary changes made to technical data. If you have any questions regarding technical problems please contact Customer Services.

## Safety



### Caution

Do not open the casing! Certain components within the product's casing contain dangerous currents. Contact with these may give you an electric shock.

- The product should only be repaired by qualified service personnel.
- The product should not be taken apart or modified.
- The product is designed only for indoor use.
- Never expose the device to high temperatures, blows, dampness or moisture.
- Do not place the product where there is a risk of it falling into water or other types of liquid. Do not place containers with liquid on the product e.g. flower vases, coffee cups, fizzy drink bottles, etc.
- Do not place the device in damp, dusty environments or where there are heavy vibrations.
- Shut off the standby function at night or when travelling.

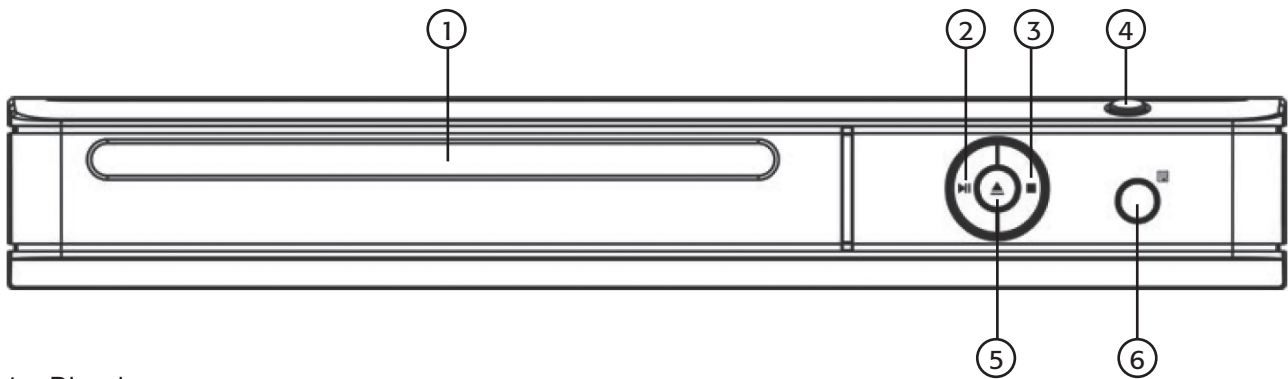


### CLASS 1 LASER PRODUCT

**Caution: Do not open the casing! Invisible laser beams that can cause eye damage. Do not look directly into the laser beam or look directly at it using an optical instrument.**

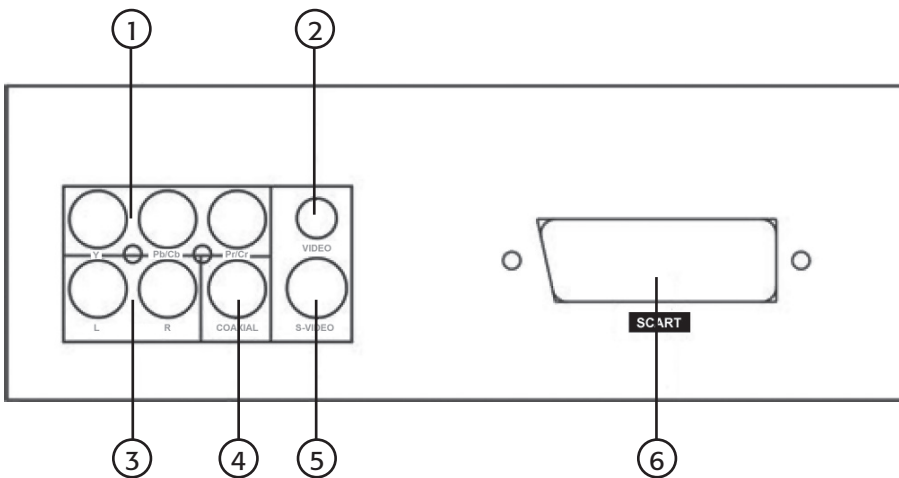
# 1. Buttons and functions

## 1.1 Front panel



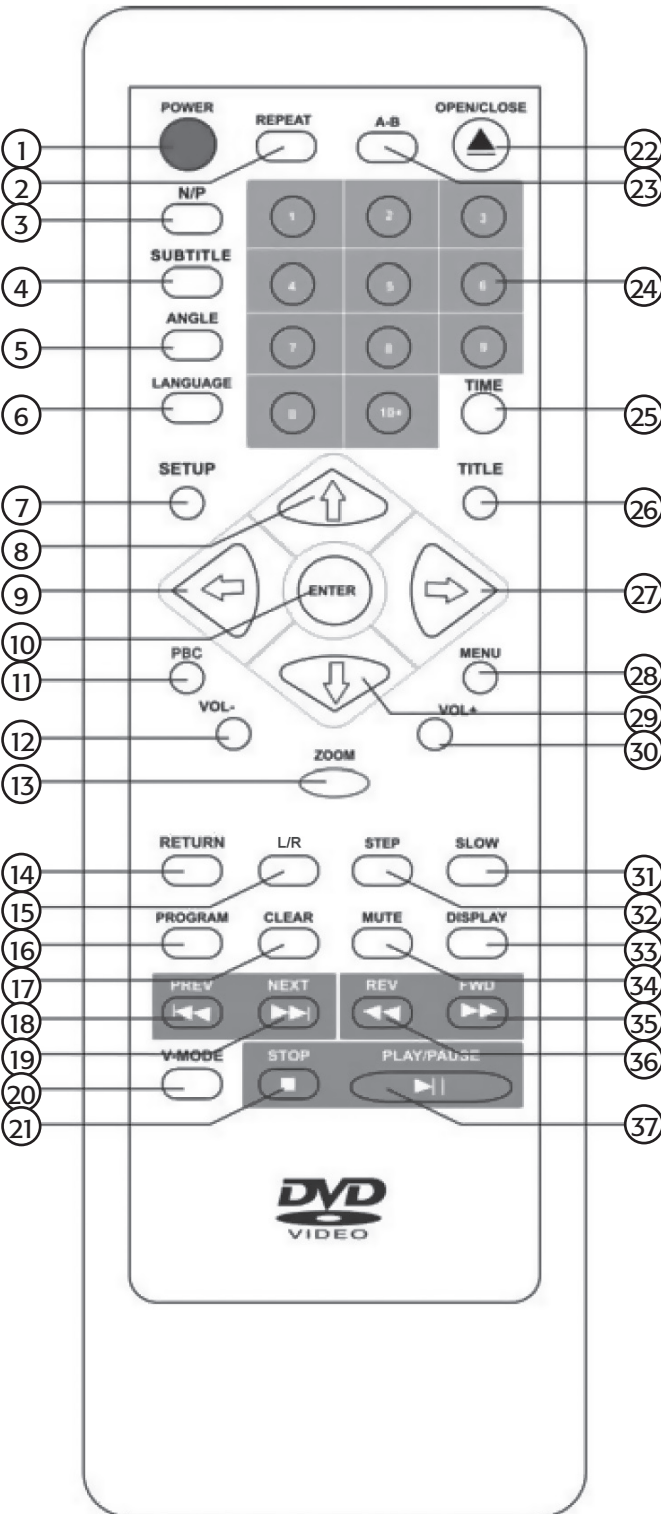
1. Disc drawer
2. PLAY/PAUSE
3. STOP
4. POWER (ON/OFF)
5. OPEN/CLOSE
6. IR sensor

## 1.2 Back panel



1. **Y / Pb/Cb / Pr/Cr** – Component video output (3 x RCA)
2. **VIDEO** – Composite video output. CVBS via RCA connection.
3. **L-R** – Analogue audio output. 2-channel stereo via RCA connection.
4. **COAXIAL** – Digital audio output. SPDIF via RCA coaxial connection
5. **S-VIDEO** – S-VIDEO output via 4-pin mini-DIN.
6. **SCART outlet**

## 1.3 Remote control



**Note:** Always point the remote towards the DVD player and not the TV.

1. [ POWER ] – Turns the system on/off
2. [ REPEAT ] – Activates repeated playback
3. [ N/P ]
4. [ SUBTITLE ] – Selects subtitles
5. [ ANGLE ] – Selects picture angle
6. [ LANGUAGE ] – Selects audio track/language
7. [ SETUP ] – Opens settings menu
8. [ ▲ ] – Up
9. [ ◀ ] – Left
10. [ ENTER ] – Confirms settings
11. [ PBC ]
12. [ VOL - ] – Reduces volume
13. [ ZOOM ] – Increases picture size
14. [ RETURN ]
15. [ L/R ]
16. [ PROGRAM ] – Programmed playback
17. [ CLEAR ] – Clears entry
18. [ |◀◀ ] – Previous track/chapter
19. [ ▶▶| ] – Next track/chapter
20. [ V-MODE ]
21. [ ■ ] – Stops playback
22. [ ▲ ] – Opens/closes disc drawer
23. [ A-B ] – Plays a section
24. [ 0-9 ] – Numerical buttons
25. [ TIME ] – Jumps to section
26. [ TITLE ]
27. [ ▶ ] – Right
28. [ MENU ] – Selects the DVD disc menus
29. [ ▼ ] – Down
30. [ VOL + ] – Increases volume
31. [ SLOW ] – Slow motion playback
32. [ STEP ]
33. [ DISPLAY ]
34. [ MUTE ] – Turns off volume
35. [ ▶▶ ] – Fast forward
36. [ ◀◀ ] – Rewind
37. [ ▶|| ] – Starts/pauses playback

## 1.4 Compatible media types

- DVD Single/double sided with one or two layers:  
DVD+R/DVD+RW  
DVD-R/DVD-RW
- CD-DA (CD-Digital Audio)
- MP3
- MPEG4
- CD-R / CD-RW
- Photo CD (JPEG)

## 2. Care

### 2.1 Cleaning

- Always unplug from the wall socket before cleaning.
- Make sure that no liquids penetrate the player.
- Use only a damp cloth when cleaning the exterior.
- Never use strong solvents or detergents.

### 2.2 Caring for discs

- Hold the disk by the hole and edge when handling in order to avoid fingerprints and dirt from contaminating the disk.
- Do not bend the disc or expose it to direct sunlight or heat.
- Store the discs upright in their cases.
- Clean the disks with a soft dry cloth starting from the centre and working outwards.  
Never use solvents or strong detergents.

## 3. Preparations

### 3.1 Unpacking the product

#### *Contents*

- DVD player
- Remote control
- Instruction manual

#### *Inserting batteries into the remote control*

1. Remove the battery cover.
2. Insert two AAA/LR03 into the battery compartment.
3. Ensure the batteries are inserted correctly according to the markings in the battery compartment.
4. Replace the battery cover.

#### **N.B.**

- Always change both batteries simultaneously.
- Always remove batteries from the remote if it is not to be used for an extended period, to avoid possible battery leakage.

## 4. Connections

When transferring images using a cable there are several types of signal and connectors to choose from.

### N.B.

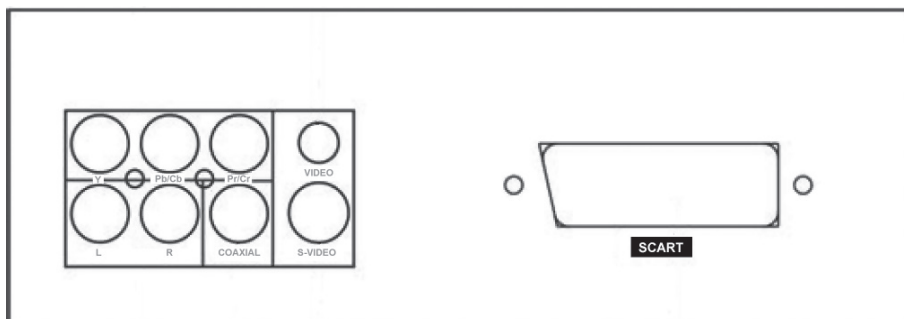
- Turn off the DVD player and TV before making any connections.
- Read your TV or amplifier manual before making any connections.

### Warning:

Do not connect the coaxial output to an amplifier that does not have Dolby digital AC 3 or a DTS-decoder. This can possibly damage your speakers and the hearing of everyone in the surrounding area.

### 4.1 Connecting to the TV

The DVD player can be connected to the TV in several ways depending on the connection possibilities of your TV.



*The most common and simplest connection is with a SCART lead*

- **SCART (6)** – Both audio and video signals are sent to the TV.  
Connect a SCART lead (not included) between the SCART output on the DVD player and the TV's SCART input.
  - o The lead carries both audio and video signals.
  - o Select the TV's AV channel.
  - o Press the V-MODE button on the remote to select the DVD player's outgoing signal for the best possible picture for your particular TV.
  - o For most users this type of installation will suffice.

### Other connections

Besides the SCART lead the DVD player can be connected in several other different ways. Below is a short description of the different signals the DVD player is able to use.

**Important!** In the example below, we use a TV for connecting to the DVD player to but it works just as well to connect the player to a projector, plasma TV or other video display equipment with similar connections. Refer to your TV's instruction manual about which signals and connections are possible for you to use. The text below refers to different categories of picture quality. These references are theoretical and may function totally differently in reality, since the combination of different products may produce unexpected results.

PAL and NTSC are two different TV systems. NTSC is used mostly in the USA. PAL is normally used in Western Europe. Image quality can differ depending on whether the DVD is recorded in PAL or NTSC and if the DVD player is set to PAL or NTSC.

Most TVs and DVDs in the Nordic countries are designed for PAL. This is preferable because this gives a higher resolution than NTSC.

- **Composite video (2) and L-R (3)** (analogue audio output).  
The composite video output must be activated in the menu.
  - o Composite video signals (CVBS) can be handled by all TVs. The easiest solution is to use a SCART lead since SCART is capable of transferring both video (composite video) and audio. Composite video can even be sent by a separate lead from the DVD player's composite video output on the back panel.
  - o The lead is connected to the equivalent input on the TV (normally Video In).
  - o Press the V-MODE button on the remote to select the DVD player's outgoing signal for the best possible picture for your particular TV.
  
- **S-VIDEO (5) and L-R (3)** (analogue audio output).  
S-video (Y/C) gives a higher image quality than composite video and is preferable if your TV supports this type of signal. (Refer to your TV manual.)
  - o S-VIDEO is connected via a 4-pin mini-DIN (normally called an s-video contact). The DVD player's settings may possibly need to be changed in the menu in order to send an S-video signal.
  - o Press the V-MODE button on the remote in order to change the DVD player's outgoing signal to S-VIDEO.
  - o **N.B.** If your TV does not support S-VIDEO the picture will be black and white.
  
- **Composite video (1) and L-R (3)** (analogue audio output).  
Component video (YPbPr) is the highest image quality that the DVD player can give and is preferred if your TV has support for component video. The DVD player can send a component signal as interlace or as progressive scan. Refer to your TV manual to see if interlace or progressive scan is supported.
  - o Component video signals uses the three RCA sockets on the DVD player's back panel and is connected to the equivalent input on the TV.
  - o Press the V-MODE button on the remote in order to change the DVD player's outgoing signal between interlace and progressive scan.

**Caution:**

Never connect an amplifier to the digital audio output if it does not have Dolby Digital AC3 or a DTS decoder. This can damage the amplifier, speakers, or cause hearing damage during DVD playback.



## 5. DVD player functions

The buttons described are valid for both the DVD player and the remote control.

### POWER

Turns the player on/off.

### OPEN/CLOSE

Opens/closes the disc drawer.

### SUBTITLE

Changes the subtitle language (only DVDs with subtitles).

### LANGUAGE

Change the track/language (only DVDs which have different tracks/languages).

### TIME

- **DVDs:** Jumps to a given section or playback time. Use ▲ or ▼ to select and enter the playback time/section with the numerical keypad. Confirm using ENTER.
- **SVCDs, VCDs and CDs:** Jumps to a specific playback time. Use ▲ or ▼ to select and enter the playback time with the numerical keypad. Confirm using ENTER.

### 0-10+ (numerical keypad)

Used to enter the time, chapter/section and track number for searches.

### CLEAR

Deletes the numerical keypad entry.

### MENU

Jumps to the DVD disc menu when pressed during playback (only for DVDs which have this feature).

### SETUP

Select the DVD player's setup menu.

### DISPLAY

Displays information on the current DVD.

### TITLE

Jumps to the current DVD's title menu (only for DVDs).

### ▲▼◀▶

Used to navigate the DVD player's menus.

### ENTER

Confirms your menu selections.

### REV - ◀◀

Rewinds within a track/chapter. Pressing PLAY/PAUSE restarts normal playback. 2x, 4x, 8x, 16x and normal playback.

### FWD - ▶▶

Fast-forwards within a track/chapter. Pressing PLAY/PAUSE restarts normal playback. 2x, 4x, 8x, 16x and normal playback.

### PREV- |◀◀

Jumps to the previous track.

### NEXT - ▶▶ |

Jumps to the next track.

### STEP

Pauses the picture. Advances the picture frame by frame (does not function for CD or MP3 playback). Pressing PLAY/PAUSE restarts normal playback.

### STOP

Temporarily stops playback and resumes playback from the same point. Pressing STOP again discontinues playback completely and returns to the beginning of the disc.

**PLAY/PAUSE**

Pauses/starts the disc during playback.

**VOL- / VOL+**

VOL+ increases volume. VOL- decreases volume.

**REPEAT**

- Repeats a chapter/section or the entire DVD (title) by pressing repeatedly.
- Repeats a track (single) or entire (all) VCDs or CDs by pressing repeatedly .

**A-B**

(Repeating a section)

- Pressing A-B during playback marks the beginning of a section (A). Pressing again marks the end of the section (B) to be repeated. Playback of the marked section should now occur automatically. Pressing A-B again cancels repetition of the section and erases the marked points.
- **N.B.** For CD/VCD/SVCD playback, the marking points **A** and **B** must lie within the same track. For DVD playback, the marking points can be in different chapters/sections.

**ANGLE**

Changes the picture angle (if the DVD supports this).

**MUTE**

Turns off the volume completely. Resumes previously set volume when pressed again.

**L/R**

Selects audio channel during CD/VCD/SVCD playback (left/right/mix/stereo).

**N/P**

Selects the picture standard in stop mode, AUTO, NTSC or PAL.

**PBC**

Turns on/off PBC (Playback Control) during VCD/SVCD playback.

**SLOW**

Reduces playback speed during DVD/VCD/SVCD playback. Pressing PLAY/PAUSE restarts normal playback.

**V-MODE**

Selects the outgoing video signal S-VIDEO, COMPONENT, RGB or P-SCAN in stop mode.

**RETURN**

Returns to the main menu during VCD/SVCD playback with PBC activated.

**PROGRAM**

No available functions for this model.

**ZOOM**

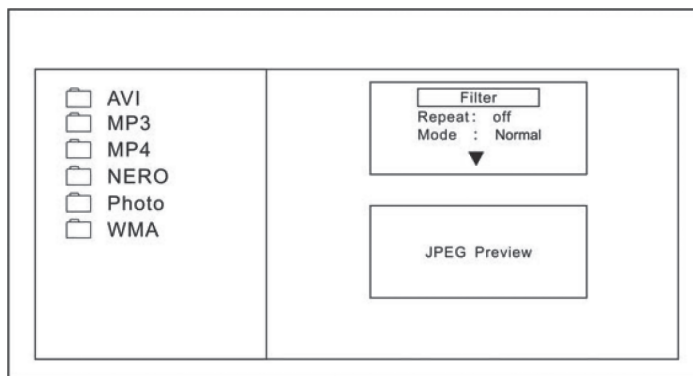
Enlarges the image for every press of the button (works only if supported on the DVD).

## 6. Playback


### 6.1 DVD playback

1. Insert a DVD with the label facing up and close the drawer.
2. The disc's main menu will automatically be loaded.
3. Use the arrow keys on the remote to make your selections on the DVD's main menu, or press PLAY/PAUSE to start immediate playback.

### 6.2 MP3/WMA/MPEG4/JPEG and Kodak Picture CD playback



Whenever a disc containing MP3/WMA/MPEG4/JPEG files or a Picture CD is inserted into the drawer, the contents of that disc will be displayed.

- Use the arrow keys to choose a folder or track to be played. Press ENTER to confirm.
- To move up a level in a folder, mark  and press ENTER to confirm.
- Right menu description (using the arrow keys to navigate):
  - **Filter**  
Selects the file type to be shown on the left. Audio, photo and video.
  - **Repeat**  
Selects repeated playback.
  - **Mode**  
Selects random playback (Shuffle). Previews each track playing the first 10 seconds of each track (Intro) or normal playback (Normal).
  - **Edit Mode**  
Allows the selecting of tracks for the playlist using the arrow keys for track selection and ENTER to confirm the selected track. Marking **Add To Program** and pressing ENTER adds the marked track to the playlist.
  - **Program View**  
Shows the tracks on the playlist. Marking the first track on the playlist and pressing PLAY/PAUSE starts playback.
  - **Add To Program**  
Adds marked tracks to the playlist in "Edit Mode" on the playback list.
  - **Browser View**  
Displays the file list.
  - **Clear Program**  
Deletes the playlist.

## 7. System settings

To reach this menu press **SETUP** on the remote. Use the arrow keys to navigate through the menus. Press **ENTER** to confirm your settings.

To quit and exit the menu press **SETUP** again.

### 7.1 LANGUAGE

Language	OSD Language: English
Video	Subtitle : English
Audio	Audio : English
Rating	DVD Menu : English
Misc	

Selects the language for the menus, subtitles, and audio tracks.

- **OSD** language (Menu language)
- **Subtitle** (Subtitle language)
- **Audio** (Select audio track for DVD playback)
- **DVD Menu** (Selects the DVD menu language)

### 7.2 Video

Language	Aspect Ratio : 4:3
Video	View Mode : Auto Fit
Audio	TV System : PAL
Rating	Video Out : Component
Misc	

Selects video settings.

- **Aspect Ratio** (Picture format)  
4:3 and 16:9 depending on your TV.
- **View Mode** (Determines how the picture is displayed)
- **TV System** (Selects the picture standard, AUTO, NTSC or PAL)
- **Video Out** (Selects the video output signal, S-VIDEO, COMPONENT, RGB or P-SCAN)
  - **S-VIDEO:** Sets the video output to the interlace output.
  - **COMPONENT:** Sets the video output to the YUV output.
  - **P-SCAN:** If your TV supports the progressive setting, choose this setting for optimum picture quality.
  - **RGB:** Sets the video output to the SCART output. If you select the SCART connection you should also set playback to RGB.

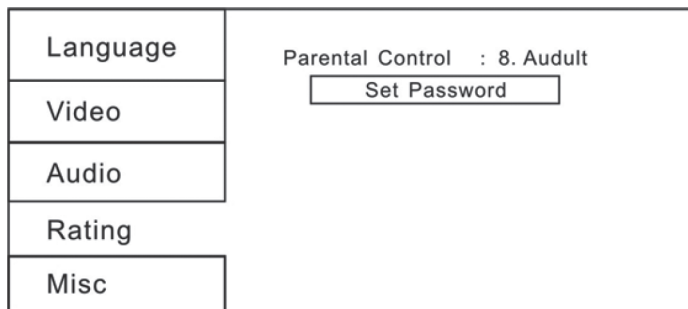
## 7.3 Audio

Language	Digital Output : PCM Night Mode : Off Down Sampling : Off
Video	
Audio	
Rating	
Misc	

Audio settings.

- **Digital output**  
 Selecting digital output allows the S/PDIF ports on the player to be adjusted so that the player works with other audio equipment such as receivers, speakers, etc.
  - o **Off:** Disconnected setting.
  - o **PCM:** Setting for 2-channel stereo. Use this in combination with the "lower sampling rate" explained later.
  - o **All:** Setting using the DVD's original audio track. Use this setting for Dolby Digital AC3 signals passing through the optical or coaxial audio output.
  
- **Night Mode**  
 The **ON** setting allows for regular adjustments for better sound. The **OFF** setting is used when you wish to prevent disturbing those around you i.e. in the evening when people are sleeping.
  
- **Down Sampling**  
 Select the **ON** setting if "PCM" is selected as described in the Digital Output step described above.
  - o **ON:** "Lower sampling rate" activated.
  - o **OFF:** "Lower sampling rate" deactivated.

## 7.4 Child lock settings



Sets access restrictions for children and prevents any inappropriate material from being shown.

### *Changing access restrictions*

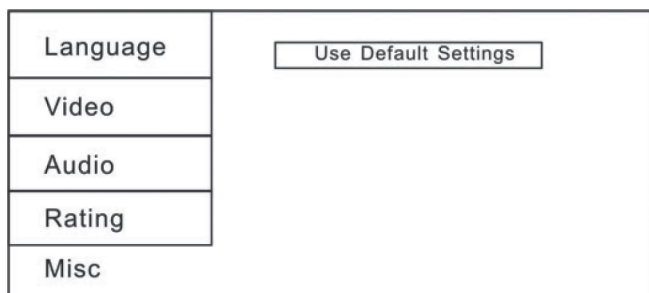
- Highlight **Parental Control** and press ENTER to select the desired degree of access restriction. In order to do this a password must be entered. The preset password is set to "8888". Press the right arrow key and select with the **up/down** arrow keys. Press ENTER to confirm.
- **N.B.** Only DVDs support "Parental Control".

### *Setting the password*

1. Highlight **Set Password** and press ENTER.
2. Enter the preset password "8888" and confirm with ENTER.
3. Press ENTER again.
4. Enter your desired password and press ENTER to confirm.

**N.B.** If you have forgotten your password you can always reset back to the preset password "8888" to unlock the player.

## 7.5 MISC (Resetting default settings)



1. Go to **Misc**.
2. Press ► to open a submenu and select **Use Default Settings**.
3. Press ENTER, then highlight **Yes** in the window "Do you want to use the default setting?"
4. Press ENTER.
5. The DVD player will reset to the original factory settings.

## 8. Troubleshooting guide

Problem	Possible causes/solutions
No picture or sound.	<ol style="list-style-type: none"> <li>1. Are all device's power cables connected correctly?</li> <li>2. Are all devices turned on?</li> <li>3. Is video and audio turned off in the TV menu?</li> <li>4. Is the TV correctly connected to the DVD player?</li> </ol>
Playback does not start.	<ol style="list-style-type: none"> <li>1. Is the disc correctly inserted?</li> <li>2. Make sure that the disc is not dirty or smudged with fingerprints.</li> <li>3. The disc has the wrong region code.</li> <li>4. The disc's contents have the wrong format.</li> <li>5. Change the settings for parental control.</li> <li>6. Turn off the player. Pull out the plug. Plug it in again and restart.</li> <li>7. There is moisture on the laser. Leave the player turned off for a couple of hours before turning it on again.</li> </ol>
No picture.	<ol style="list-style-type: none"> <li>1. Is the TV turned on?</li> <li>2. Check the connections.</li> <li>3. Press V-MODE to change outgoing signals.</li> </ol>
Picture flickers or is grainy.	<ol style="list-style-type: none"> <li>1. Connect the DVD player directly to the TV and not through other devices. Interference can depend on the DVD player's integrated copy protection (a requirement on all DVD players).</li> <li>2. Purchase an RF adaptor if the TV does not have a video input.</li> <li>3. Check the DVD player's and TV's colour settings.</li> <li>4. Bad quality or scratched disc.</li> </ol>
The picture is black and white or flickers.	<ul style="list-style-type: none"> <li>• Make sure the correct TV system is selected (PAL eller NTSC). Use the N/P button on the remote to select.</li> </ul>
The picture is smaller than the screen.	<ol style="list-style-type: none"> <li>1. Choose the correct aspect ratio: (SETUP MENU &gt; VIDEO &gt; ASPECT RATIO).</li> <li>2. Select the aspect ratio from the menu on the DVD itself.</li> </ol>
It is not possible to search either forwards or backwards.	<ol style="list-style-type: none"> <li>1. Certain discs are programmed to prevent searching.</li> <li>2. The disc only has one track.</li> </ol>
No sound or minimal sound.	<ol style="list-style-type: none"> <li>1. Make sure that the TV and amplifier are turned on and correctly set.</li> <li>2. Make sure that the TV and amplifier are correctly connected and that the plugs are pushed in securely.</li> <li>3. Press LANGUAGE to select another audio track.</li> <li>4. Make sure that the Mute function is not activated on the DVD player, TV or amplifier.</li> <li>5. There is no sound during searching, pausing, stop and slow motion mode.</li> </ol>

Disc containing MP3's produce either no sound or noise.	<ol style="list-style-type: none"> <li>1. If the MP3 disc contains files MP3 files mixed with data files there will be no sound when the data files are being read.</li> <li>2. Make sure that the CD contains MP3 files.</li> <li>3. Try playing the next MP3 file/track.</li> </ol>
The remote control doesn't work.	<ol style="list-style-type: none"> <li>1. The batteries are bad or incorrectly inserted.</li> <li>2. The remote is too far away from the DVD player or there are obstructions in the way.</li> <li>3. The DVD player is in standby mode.</li> </ol>
No Dolby Digital or DTS Audio via the digital audio outputs.	<ol style="list-style-type: none"> <li>1. Make sure the amplifier supports Dolby Digital or DTS.</li> <li>2. Make sure that a coaxial audio cable is used between the DVD player's digital audio output and the amplifier's digital audio output.</li> <li>3. Make sure that the disc supports Dolby Digital or DTS and that this has been chosen on the disc's menu.</li> </ol>

## 9. Disposal

Follow local ordinances when disposing of this product.

If you are unsure of how to dispose of this product, please contact your municipality.

## 10. Specifications

Complies with the following disc formats:	DVD SVCD VCD CD MP3 Kodak Picture CD Photo CD MPEG4
Signal output	TV colour-encoding system: PAL/AUTO/NTSC Audio system: Stereo R/L, coaxial/digital output Video output: 1Vpp (vid 75 Ohm)
Frequency response	20 Hz – 20 kHz
SNR	≥ 90 dB
Connections	SCART, S-video, component video, coaxial digital and analogue audio output
Power supply	230 V AC, 50 Hz (Max. 25 W)
Size	255 x 38 x 190 mm

**Note:** The time interval between presses of the POWER button must be more than 30 seconds.



# DVD/MPEG4-spelare

Art.nr 18-8108      Modell M251-UK  
38-3301                      M251

Läs igenom hela bruksanvisningen före användning och spara den sedan för framtida bruk. Vi reserverar oss för ev. text- och bildfel samt ändringar av tekniska data. Vid tekniska problem eller andra frågor, kontakta vår kundtjänst (se adressuppgifter på baksidan).

## Säkerhet



### Varning!

Öppna inte höljet! Farlig spänning finns oskyddat på vissa komponenter inuti produktens hölje, kontakt med dessa kan ge elektrisk chock.

- Produkten får endast repareras av kvalificerad servicepersonal.
- Produkten får inte demonteras eller ändras.
- Produkten är avsedd endast för inomhusbruk.
- Utsätt aldrig apparaten för höga temperaturer, stötar, fukt eller väta.
- Placera inte produkten så att den kan falla ner i vatten eller annan vätska. Ställ inte heller några föremål som innehåller vätska på produkten, t.ex. en blomvas eller läskedryck.
- Placera inte apparaten i en fuktig, dammig miljö eller där det förekommer starka vibrationer.
- Stäng av eventuell standby-funktion om natten eller när du reser bort.

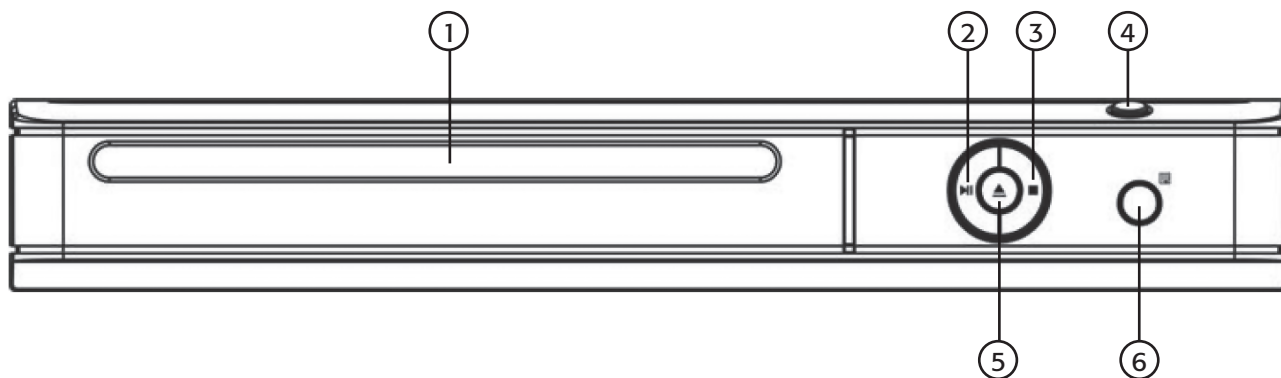


### KLASS 1 LASERAPPARAT

Varning! Öppna inte höljet! Osynlig laserstrålning som kan orsaka ögonskador. Rikta inte blicken in mot strålen och titta inte direkt på den genom optiska instrument.

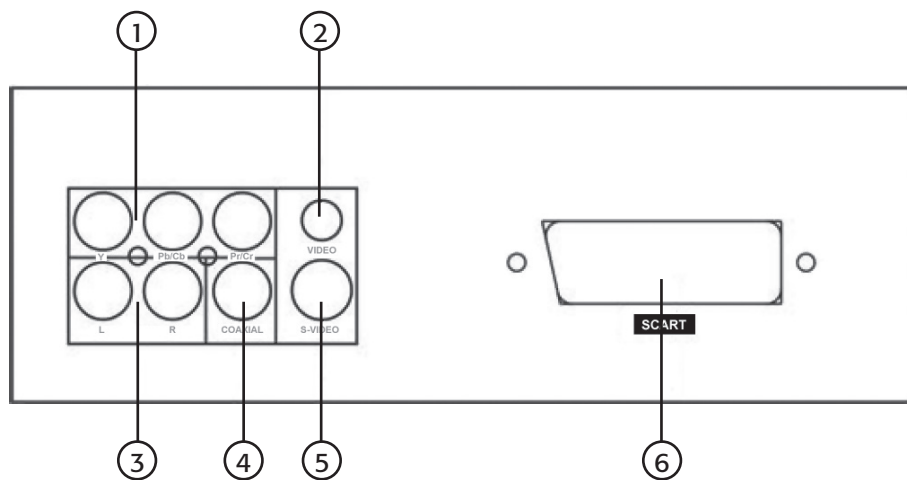
# 1. Knappar och funktioner

## 1.1 Apparats framsida



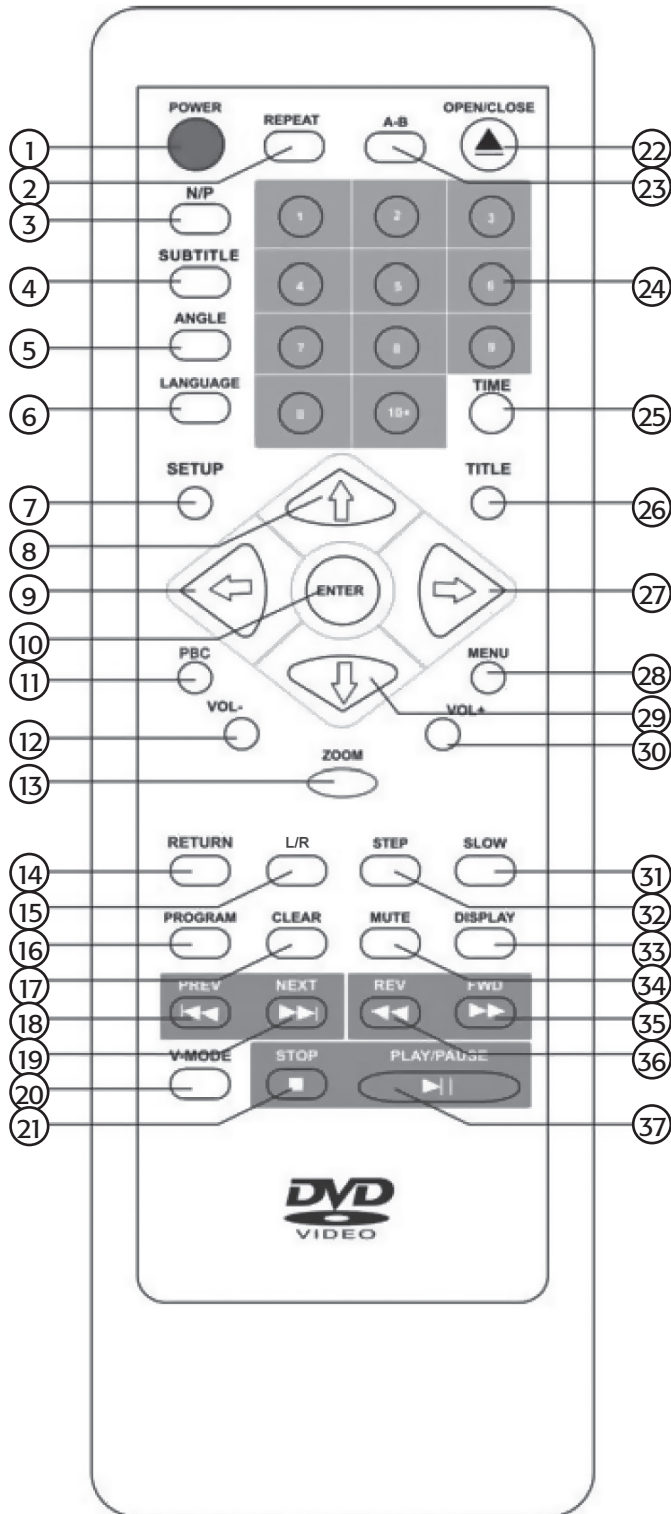
1. Skivsläde
2. PLAY/PAUSE
3. STOP (stopp)
4. POWER (av/på)
5. OPEN/CLOSE (öppna/stäng)
6. IR-sensor

## 1.2 Apparats baksida



1. **Y / Pb/Cb / Pr/Cr** – Komponentvideoutgång (3 x RCA)
2. **VIDEO** – Kompositvideoutgång. CVBS via RCA-anlutning.
3. **L-R** – Analog ljudutgång. 2-kanals stereo via RCA-anlutning.
4. **KOAXIAL** – Digital ljudutgång. SPDIF via RCA-anlutning för koaxial.
5. **S-VIDEO** – Utgång för S-VIDEO via 4-polig mini-DIN.
6. **SCART-utgång**

## 1.3 Fjärrkontrollen



**Observera!** Rikta alltid fjärrkontrollen mot dvd-spelaren och inte mot tv-apparaten.

- [ POWER ] – Slår på och av apparaten
- [ REPEAT ] – Aktiverar repeterad uppspelning
- [ N/P ]
- [ SUBTITLE ] – Väljer undertexter
- [ ANGLE ] – Väljer bildvinkel
- [ LANGUAGE ] – Väljer ljudspår/språk
- [ SETUP ] – Väljer inställningsmenyn
- [ ▲ ] – Upp
- [ ◀ ] – Vänster
- [ ENTER ] – Bekräftar inställningar
- [ PBC ]
- [ VOL - ] – Volym ned
- [ ZOOM ] – Förstorar i bilden
- [ RETURN ]
- [ L/R ]
- [ PROGRAM ] – Programmerad uppspelning
- [ CLEAR ] – Raderar inmatning
- [ |◀◀ ] – Föregående spår/kapitel
- [ ▶▶| ] – Nästa spår/kapitel
- [ V-MODE ]
- [ ■ ] – Stoppas uppspelning
- [ ▲ ] – Öppnar/stänger skivfacket
- [ A-B ] – Uppspelning av ett avsnitt
- [ 0-9 ] – Sifferknappar
- [ TIME ] – Gå till avsnitt
- [ TITLE ] – Titel
- [ ▶ ] – Höger
- [ MENU ] – Väljer DVD-skivans menyer
- [ ▼ ] – Ned
- [ VOL + ] – Volym upp
- [ SLOW ] – Uppspelning med reducerad hastighet
- [ STEP ]
- [ DISPLAY ]
- [ MUTE ] – Stänger av ljudet
- [ ▶▶ ] – Snabbspola framåt
- [ ◀◀ ] – Snabbspolning bakåt
- [ ▶|| ] – Startar/pausar uppspelningen

## 1.4 Följande typer av skivor kan spelas på spelaren

- DVD Enkel-/dubbelsidiga med ett eller två lager:  
DVD+R/DVD+RW  
DVD-R/DVD-RW
- CD-DA (CD-Digital Audio)
- MP3
- MPEG4
- CD-R / CD-RW
- Photo CD (JPEG)

## 2. Skötsel

### 2.1 Rengöring

- Dra alltid ur nätsladdens stickpropp före rengöring.
- Se till att ingen vätska kommer in i DVD-spelaren.
- Använd endast en lätt fuktad trasa vid rengöring av höljet.
- Använd aldrig rengöringsmedel eller starka lösningsmedel.

### 2.2 Vårda skivorna

- Håll skivan i hålet och kanten när den hanteras för att undvika fingeravtryck och smuts på skivan.
- Böj inte skivan och utsätt den inte för direkt solljus eller annan värmekälla.
- Förvara skivorna stående i sina fodral.
- Rengör endast skivorna med en torr mjuk tvättduk från centrum och utåt, använd aldrig starka rengöringsmedel eller lösningsmedel.

## 3. Förberedelser

### 3.1 Packa upp produkten

*Förpackningen innehåller*

- DVD-spelare
- Fjärrkontroll
- Bruksanvisning

*Sätt i batterierna i fjärrkontrollen*

1. Ta bort batteriluckan.
2. Placera 2 st. AAA/LR03-batterier i batterifacket.
3. Försäkra dig om att batterierna är rätt isatta enligt märkningen i batterifacket.
4. Sätt tillbaka batteriluckan.

**Anm.**

- Byt alltid båda batterierna samtidigt.
- Ta alltid ur batterierna om inte fjärrkontrollen kommer att användas under en längre period, för att inte riskera att batterierna börjar läcka.

## 4. Anslutningar

När man ska överföra bild via kabel så finns det några olika signaler och kontakter att välja mellan.

### Obs!

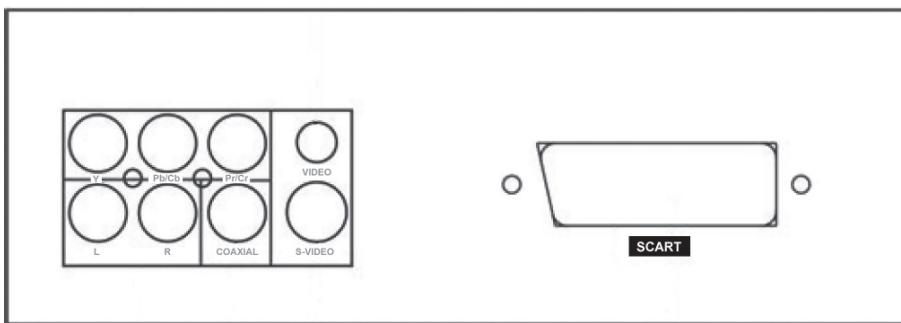
- Stäng av DVD-spelaren och tv-apparaten innan du gör några anslutningar.
- Läs tv-apparatens eller förstärkarens manual innan anslutning.

### Varning:

Anslut inte koaxialutgången till en förstärkare som inte har Dolby digital AC 3 eller DTS-dekoder. Det resulterar i skada på högtalarna och eventuellt din eller andras hörsel.

### 4.1 Anslutning till tv

DVD-spelaren kan anslutas till din tv på flera sätt beroende på vilka ingångar din tv har.



*Den vanligaste och enklaste anslutningen är med en SCART-kabel*

- **SCART (6)** – Både bild och ljud överförs till teven. Anslut en SCART-kabel (medföljer ej) mellan SCART-utgången på DVD-spelaren och tv:ns SCART-ingång.
  - o Kabeln överför både ljud och bild.
  - o Välj tv:ns AV-kanal.
  - o Tryck på knappen V-MODE på fjärrkontrollen för att ändra DVD-spelarens utsignal för bästa möjliga bild för just din tv.
  - o För de flesta användare räcker denna installation.

### Andra anslutningar

Utöver SCART-kabeln kan DVD-spelaren anslutas på flera olika sätt. Nedan följer en kort förklaring på vilka olika signaler DVD-spelaren kan lämna.

**Viktigt.** I nedanstående exempel hänvisar vi till anslutningar av DVD-spelaren till en tv men anslutningar till projektor, plasma-tv eller annan bildvisande utrustning med motsvarande anslutningar fungerar på samma sätt. Kontrollera bruksanvisningen för er tv vilka signaler och kontakter som är möjliga att använda. I texten hänvisas till olika bildkvalitetsnivåer. Detta är teoretiskt och kan skilja sig mot praktiken eftersom kombinationen av olika produkter kan fungera på annat sätt.

PAL och NTSC är olika tv-system. NTSC används främst i USA. PAL används vanligtvis i hela Västeuropa. Bildens kvalitet kan skilja beroende på om DVD-filmen är inspelad i PAL eller NTSC och om DVD-spelaren är inställd på PAL eller NTSC.

De flesta TV-apparater och DVD-filmer i Norden är anpassade för just PAL. Detta är att föredra eftersom det ger en högre upplösning än NTSC.

- **Kompositvideo (2)** samt **L-R (3)** (analog ljudutgång).  
Kompositvideoutgången måste aktiveras i menyn.
  - o Kompositvideo (CVBS) klarar alla normala tv-apparater av att hantera. Enklast är att använda SCART-kabeln eftersom SCART klarar att överföra både bild (kompositvideo) och ljud. Kompositvideo kan även skickas i separat kabel från DVD-spelarens kompositvideouttag på baksidan.
  - o Kabeln ansluts i motsvarande ingång på tv:n (vanligtvis Video In).
  - o Tryck på knappen V-MODE på fjärrkontrollen för att ändra DVD-spelarens utsignal för bästa möjliga bild för just din tv.
- **S-VIDEO (5)** samt **L-R (3)** (analog ljudutgång).  
S-video (Y/C) är en högre bildkvalitet än kompositvideo och är att föredra om teven har stöd för denna signal. (Se manualen för er tv.)
  - o S-VIDEO kopplas in via en 4-polig mini-DIN (vanligtvis kallad s-videokontakt). DVD-spelaren kan behöva ställas om i menyn för att kunna skicka ut s-video.
  - o Tryck på knappen V-MODE på fjärrkontrollen för att ändra DVD-spelarens utsignal till S-VIDEO.
  - o **OBS!** Om tv:n inte klarar S-VIDEO blir bilden svart/vit.
- **Komponentvideo (1)** samt **L-R (3)** (analog ljudutgång).  
Komponentvideo (YPbPr) är den högsta bildkvaliteten som DVD-spelaren klarar att lämna och är att föredra om teven har stöd för komponentvideo. DVD-spelaren kan antingen skicka komponentsignalen som interlace eller progressiv scan. Se manualen för din tv om interlace eller progressiv-scan stöds.
  - o Komponentvideosignalen ansluts via de tre RCA-kontakterna på DVD-spelarens baksida och kopplas in i motsvarande ingång på tv:n.
  - o Tryck på knappen V-MODE på fjärrkontrollen för att ändra DVD-spelarens utsignal mellan interlace och progressiv-scan.

### Varning!

Anslut aldrig en förstärkare till den digitala ljudutgången om den inte har en Dolby digital AC3- eller DTS-dekoder. Vid uppspelning av en DVD-skiva kan detta skada förstärkare och högtalare eller orsaka hörselskador.

## 5. Förklaring över DVD-spelarens funktioner

Knapparnas beskrivning gäller för både DVD-spelaren och fjärrkontrollen.

### POWER

Tryck för att slå på och av apparaten.

### OPEN/CLOSE

Tryck för att öppna eller stänga skivsläden.

### SUBTITLE

Tryck för att ändra undertexternas språk (endast DVD-skivor som stöder undertexter).

### LANGUAGE

Tryck för att ändra ljudspår/språk (endast DVD-skivor som stöder detta).

### TIME

- **För DVD-skivor:** Tryck för att gå till ett angivet avsnitt eller en viss tid. Välj med knapparna ▲ eller ▼ och skriv in tid/avsnitt med sifvertangenterna. Bekräfta med ENTER.
- **För SVCD, VCD och CD:** Tryck för att gå till en angiven tid. Välj med knapparna ▲ eller ▼ och skriv in tiden med sifvertangenterna. Bekräfta med ENTER.

### 0-10+ (sifvertangenter)

Används för att ange tid, kapitel/avsnitt samt spårnummer vid sökning.

### CLEAR

Tryck för att ta bort siffror du angett med sifvertangenterna.

### MENU

Under uppspelning, tryck på MENU för att gå till DVD-skivans meny (endast skivor med denna funktion).

### SETUP

Tryck för att välja DVD-spelarens inställningsmeny.

### DISPLAY

Tryck för att visa information om DVD-skivan som spelas upp.

### TITLE

Tryck för att gå till DVD-skivans titelmeny (endast DVD-skivor).

### ▲▼◀▶

Används för att navigera i DVD-spelarens menyer.

### ENTER

Tryck för att bekräfta dina val i menyer.

### REV - ◀◀

Tryck för att söka/snabbspola bakåt i ett spår/kapitel. Tryck på PLAY/PAUSE för att återuppta uppspelning i normal hastighet. 2, 4, 8, 16 och normal (play).

### FWD - ▶▶

Tryck för att söka/snabbspola framåt i ett spår/kapitel. Tryck på PLAY/PAUSE för att återuppta uppspelning i normal hastighet. 2, 4, 8, 16 och normal (play).

### PREV- |◀◀

Tryck för att välja föregående spår/kapitel.

### NEXT - ▶▶|

Tryck för att välja nästa spår/kapitel.

### STEP

Tryck för att stanna bilden. Tryck upprepade gånger för gå framåt bildruta för bildruta (ej vid uppspelning av cd eller MP3). Tryck på PLAY/PAUSE för att återuppta uppspelningen.

### STOP

Tryck en gång för att tillfälligt stoppa uppspelningen för att senare kunna återuppta uppspelningen från samma tid på skivan. Tryck igen för att stoppa uppspelningen helt och återgå till början på skivan.

## **PLAY/PAUSE**

Används för att starta eller pausa uppspelningen.

## **VOL- / VOL+**

Tryck på VOL+ för att höja volymen, och VOL- för att sänka volymen.

## **REPEAT**

- Vid DVD-uppspelning, tryck upprepade gånger för att repetera kapitel/avsnitt (chapter) eller hela filmen (title).
- Vid uppspelning av VCD eller CD, tryck upprepade gånger för att repetera spår (single) eller alla spår (all).

## **A-B**

(Repetition av ett avsnitt)

- Under uppspelning, tryck på A-B för markera början på avsnittet (A), tryck igen för att markera slutet på avsnittet (B) som ska repeteras. Uppspelningen sker nu mellan de två avsnitten och repeteras automatiskt. Tryck igen på A-B för att avbryta repetitionen mellan avsnitten och ta bort markeringarna.
- **Anm.** Vid uppspelning av CD/VCD/SVCD måste markeringarna **A** och **B** vara inom samma spår. Vid DVD-uppspelning kan markeringarna vara i olika kapitel/avsnitt.

## **ANGLE**

Tryck för att välja bildvinkel (om DVD-filmen stödjer detta).

## **MUTE**

Tryck på MUTE för att stänga av ljudvolymen helt. Tryck igen för att återgå till senast inställda ljudvolym.

## **L/R**

Vid uppspelning av CD/VCD/SVCD, tryck på L/R för att välja ljudkanal (vänster/höger/mix/stereo).

## **N/P**

I stoppläget, tryck på N/P för att välja bildstandard, AUTO, NTSC eller PAL.

## **PBC**

Vid uppspelning av VCD/SVCD, tryck för att slå på eller av PBC (Playback Control).

## **SLOW**

Vid uppspelning av DVD/VCD/SVCD, tryck på SLOW för att spela upp med reducerad hastighet. Tryck på PLAY/PAUSE för att återgå till normal uppspelning.

## **V-MODE**

I stoppläget, tryck på V-MODE för att välja olika typer av utsignal för bilden, S-VIDEO, COMPONENT, RGB eller P-SCAN.

## **RETURN**

Vid uppspelning av VCD/SVCD med PBC aktiverat, tryck på RETURN för att återgå till huvudmenyn.

## **PROGRAM**

Ingen funktion på denna modell.

## **ZOOM**

Tryck upprepade gånger för att förstora bilden (fungerar endast på vissa filmer).

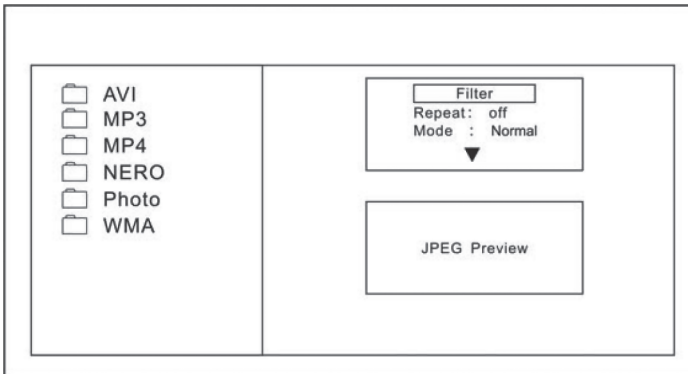


## 6. Uppspelning


### 6.1 Spela upp en DVD-skiva

1. Lägg i en DVD-skiva med etiketten vänd uppåt i skivfacket och stäng skivsläden.
2. Skivans huvudmeny laddas automatiskt.
3. Använd piltangenterna på fjärrkontrollen för att göra dina val i skivans huvudmeny, eller tryck på PLAY/PAUSE för att starta uppspelningen direkt.

### 6.2 Uppspelning av MP3/WMA/MPEG4/JPEG och Kodak Picture CD



När en skiva innehållandes MP3/WMA/MPEG4/JPEG-filer eller Picture CD läggs i visas innehållet på skivan på skärmen.

- Använd piltangenterna för att välja katalog eller det spår som ska spelas upp. Tryck på ENTER för att bekräfta.
- För att gå uppåt i katalogerna, markera  och tryck på ENTER för att bekräfta.
- Förklaring av den högra menyn (använd piltangenterna för att bläddra i listan):
  - **Filter**  
Väljer vilka filtyper som ska visas i fillistan till vänster. Audio, photo och video.
  - **Repeat**  
Väljer repeterad uppspelning.
  - **Mode**  
Väljer blandad uppspelning (Shuffle), endast uppspelning av 10 sekunder på varje spår (Intro) eller normal uppspelning (Normal).
  - **Edit Mode**  
Välj **Edit Mode** och använd sedan piltangenterna och ENTER för att markera vilka spår du vill ha med i uppspelningslistan. Markera **Add To Program** och tryck sedan på ENTER för att lägga till markerade spår i uppspelningslistan.
  - **Program View**  
Visar programmerade spår i uppspelningslistan. Markera första spåret i listan och tryck på PLAY/PAUSE för att starta uppspelningen.
  - **Add To Program**  
Lägger till spår som markerats i "Edit Mode" i uppspelningslistan.
  - **Browser View**  
Visar fillistan.
  - **Clear Program**  
Tömmer uppspelningslistan.

## 7. Systeminställningar

För att gå in i menyn, tryck på SETUP på fjärrkontrollen. Använd sedan piltangenterna för att navigera i menyerna. Tryck på ENTER för att bekräfta dina val.

För att avsluta och gå ur menyn, tryck igen på SETUP.

### 7.1 LANGUAGE (Språk)

Language	OSD Language : English
Video	Subtitle : English
Audio	Audio : English
Rating	DVD Menu : English
Misc	

Väljer språk för menyer, undertexter och ljudspår.

- **OSD-language** (Språk för menyer)
- **Subtitle** (Språk för undertexter)
- **Audio** (Önskat ljudspår vid uppspelning av DVD)
- **DVD Menu** (Önskat språk för DVD-skivans meny)

### 7.2 Video

Language	Aspect Ratio : 4:3
Video	View Mode : Auto Fit
Audio	TV System : PAL
Rating	Video Out : Component
Misc	

Väljer bildformat.

- **Aspect Ratio** (Bildförhållande, bildens proportioner)  
Välj mellan 4:3 och 16:9 beroende på din tv.
- **View Mode** (Anger hur bilden visas på skärmen)
- **TV System** (Välj bildstandard, AUTO, NTSC eller PAL)
- **Video Out** (Välj utsignal för bilden, S-VIDEO, COMPONENT, RGB eller P-SCAN)
  - **S-VIDEO**: Sätt videoutgången till interlaceutgången.
  - **COMPONENT**: Sätt videoutgången till YUV-utgången
  - **P-SCAN**: Om din tv är progressiv, välj denna inställning då bilden kan bli bättre.
  - **RGB**: Sätt videoutgången till SCART-utgången. Om du väljer SCART-anslutning bör du sätta uppspelningsläget till RGB.

## 7.3 Audio

Language	Digital Output : PCM Night Mode : Off Down Sampling : Off
Video	
Audio	
Rating	
Misc	

Ändrar ljudegenskaperna.

- **Digital output (digital utgång)**  
 Val av digital utgång gör att man kan justera ljudutgången på S/PDIF-portar så att den fungerar i harmoni med ljudutrustningen (t.ex. mottagare, högtalare) som är kopplad till DVD-spelaren.
  - o **Off:** Digitala ljudutgången är frånkopplad.
  - o **PCM:** Välj detta läge när du ska använda stereosignaler (2 kanaler). Du bör kombinera denna möjlighet med "lower sampling rate" som förklaras i texten som följer.
  - o **All:** Detta läge använder DVD-skivans ursprungliga ljud. Använd detta läge när du vill använda Dolby Digital AC3-signaler genom den optiska eller koaxiala ljudutgången.
- **Night Mode**  
 För att justera ljudet välj **ON** när du spelar upp en skiva under dagen för bättre ljud, medan man på kvällen kan välja **OFF** om man inte vill störa omgivningen.
- **Down Sampling**  
 Välj läge ON om du har valt "PCM" som Digital Output i steget ovan.
  - o ON: "Lower sampling rate" aktiverat.
  - o OFF: "Lower sampling rate" avaktiverat.

## 7.4 Inställning för barnlås

Language	Parental Control : 8. Adult <input type="button" value="Set Password"/>
Video	
Audio	
Rating	
Misc	

Denna inställning ger möjlighet att ställa in önskade restriktioner åt barnen för att förhindra att olämpliga filmer visas.

### Ändra restriktioner

- Markera **Parental Control** och tryck på ENTER för att välja önskad grad av lås. För att göra detta krävs att lösenordet anges. Det förinställda lösenordet är "8888". Tryck höger och välj med **upp/ned**, tryck ENTER för att välja.
- **Obs!** Endast vissa DVD-filmer stöder "föräldrakontroll".

### Ställa in ett personligt lösenord

1. Markera **Set Password** och tryck på ENTER.
2. Ange det förinställda lösenordet "8888" och bekräfta med ENTER.
3. Tryck igen på ENTER.
4. Ange önskat lösenord och tryck på ENTER för att bekräfta.

**Anm.** Om du glömt ditt personliga lösenord kan du alltid använda det förinställda lösenordet "8888" för att låsa upp.

## 7.5 MISC (återgå till fabriksinställningarna)

Language	<input type="button" value="Use Default Settings"/>
Video	
Audio	
Rating	
Misc	

1. Stega till **Misc**.
2. Tryck på ► för att öppna undermenyn och välj **Use Default Settings**.
3. Tryck ENTER, markera sedan **Yes** i fönstret "Do you want to use the default setting?".
4. Tryck ENTER.
5. DVD-spelaren startar om med de ursprungliga inställningarna.

## 8. Felsökningsschema

Problem	Tänkbar orsak/lösning
Ingen bild/ inget ljud.	<ol style="list-style-type: none"> <li>1. Är alla enheters nätsladdar anslutna ordentligt?</li> <li>2. Är alla enheter påslagna?</li> <li>3. Är bild och ljud avstängt på tv-menyn?</li> <li>4. Är tv-apparaten rätt ansluten till DVD-spelaren?</li> </ol>
Uppspelningen startar inte.	<ol style="list-style-type: none"> <li>1. Är skivan rätt isatt?</li> <li>2. Se till att skivan inte är smutsig eller har fingeravtryck.</li> <li>3. Skivan har fel regionskod.</li> <li>4. Skivans innehåll är av fel format.</li> <li>5. Ändra inställningarna för föräldrakontrollen.</li> <li>6. Stäng av spelaren, dra ur stickproppen, sätt i den igen och starta om.</li> <li>7. Imma på linsen, låt spelaren vila ett par timmar innan du slår på den igen.</li> </ol>
Ingen bild.	<ol style="list-style-type: none"> <li>1. Är tv-apparaten påslagen?</li> <li>2. Kontrollera anslutningarna.</li> <li>3. Tryck på V-MODE för att växla utsignalen.</li> </ol>
Bilden flimrar/ grymig bild.	<ol style="list-style-type: none"> <li>1. Anslut DVD-spelaren direkt till tv-apparaten och gå inte via andra enheter, störningarna kan bero på DVD-spelarens inbyggda kopieringskydd (ett krav på alla DVD-spelare).</li> <li>2. Skaffa en RF-adapter om tv-apparaten inte har videoingång.</li> <li>3. Kontrollera färginställningarna i DVD-spelaren och på tv-apparaten.</li> <li>4. Dålig kvalitet på skivan eller repig skiva.</li> </ol>
Bilden är svart/ vit eller rullar.	<ul style="list-style-type: none"> <li>• Kontrollera att rätt tv-system är valt (PAL eller NTSC). Välj läge med knappen N/P på fjärrkontrollen.</li> </ul>
Bilden är mindre än skärmen.	<ol style="list-style-type: none"> <li>1. Välj skärmformat: (SETUP MENU &gt; VIDEO &gt; ASPECT RATIO).</li> <li>2. Välj skärmformat från DVD-skivans meny.</li> </ol>
Det går inte att söka eller stega framåt/bakåt.	<ol style="list-style-type: none"> <li>1. Vissa skivor är programmerade att inte tillåta att söka eller stega framåt/bakåt.</li> <li>2. Skivan har bara ett spår.</li> </ol>
Inget ljud eller ofullständigt ljud.	<ol style="list-style-type: none"> <li>1. Kontrollera att tv och förstärkare är påslagna och rätt inställda.</li> <li>2. Kontrollera att tv och förstärkare är rätt anslutna och att kontakterna är helt inskjutna.</li> <li>3. Tryck på LANGUAGE för att välja annat ljudspår.</li> <li>4. Kontrollera att inte "Mute"-funktionen är aktiverad på DVD-spelaren, teven eller förstärkaren.</li> <li>5. Det är inget ljud under sökning bakåt, framåt samt paus, step och slow.</li> </ol>

MP3-skivan ger oljud eller inget ljud.	<ol style="list-style-type: none"> <li>1. Om en MP3-skiva består av MP3-filer blandat med programfiler blir det tyst eller oljud vid programfilerna.</li> <li>2. Kontrollera att skivan bara innehåller MP3-filer.</li> <li>3. Prova nästa MP3-spår.</li> </ol>
Fjärrkontrollen fungerar inte.	<ol style="list-style-type: none"> <li>1. Batterierna är dåliga eller felaktigt isatta.</li> <li>2. Fjärrkontrollen används för långt ifrån DVD-spelaren eller så är något i vägen mellan enheterna.</li> <li>3. DVD-spelaren är i standbyläget.</li> </ol>
Inget Dolby Digital- eller DTS-ljud via de digitala ljudutgångarna.	<ol style="list-style-type: none"> <li>1. Kontrollera att förstärkaren stöder Dolby Digital eller DTS.</li> <li>2. Kontrollera att en koaxial ljudkabel används mellan DVD-spelarens digitala ljudutgång och förstärkarens digitala ljudingång.</li> <li>3. Kontrollera att skivan har stöd för Dolby Digital eller DTS och att det har valts i skivans meny.</li> </ol>

## 9. Avfallshantering

När du ska göra dig av med produkten ska detta ske enligt lokala föreskrifter. Är du osäker på hur du ska tillväga, kontakta din kommun.

## 10. Specifikationer

Kompatibel med följande skivformat	DVD SVCD VCD CD MP3 Kodak Picture CD Photo CD MPEG4
Signalutgång	Färgsystem: PAL/AUTO/NTSC Ljudsystem: Stereo R/L, koaxial/digital utgång Videoutgång: 1Vpp (vid 75 Ohm)
Frekvensomfång	20 Hz – 20 KHz
S/N-nivå	≥ 90 dB
Anslutningar	SCART, S-video, komponentvideo, koaxial digital samt analog ljudutgång
Strömförsörjning	230 V AC, 50 Hz, 25 W
Storlek	255 x 38 x 190 mm

**Observera:** Tidsintervallet mellan två tryckningar på POWER-knappen måste vara mer än 30 sekunder.

# Dvd/mpeg4-spiller

Art.nr. 18-8108      Modell M251-UK  
38-3301                      M251

Les bruksanvisningen nøye før bruk av produktet, og ta vare på den for ev. framtidig bruk.

Vi reserverer oss mot ev. tekst- og bildefeil, samt forandringer av tekniske data.

Ved tekniske problemer eller andre spørsmål, ta kontakt med vårt kundesenter. (Se opplysninger om kundesenteret i denne bruksanvisningen).

## Sikkerhet



### Advarsel!

Åpne ikke dekselet. Farlig spenning finnes ubeskyttet på visse komponenter inne i produktet. Kontakt med disse kan gi elektrisk støt.

- Produktet må kun repareres av kyndig servicepersonell.
- Produktet må ikke demonteres eller endres.
- Produktet er kun beregnet for innendørs bruk.
- Utsett aldri produktet for høye temperaturer eller fuktighet.
- Plasser ikke produktet slik at det kan komme i kontakt med vann eller annen væske. Plasser aldri produktet nær gjenstander som kan forårsake at vann eller annen væske skylles over produktet.
- Plasser ikke apparatet i et fuktig eller støvete miljø, eller der det forekommer sterke vibrasjoner.
- Skru av en eventuell standby-modus om natten, eller når du reiser bort.

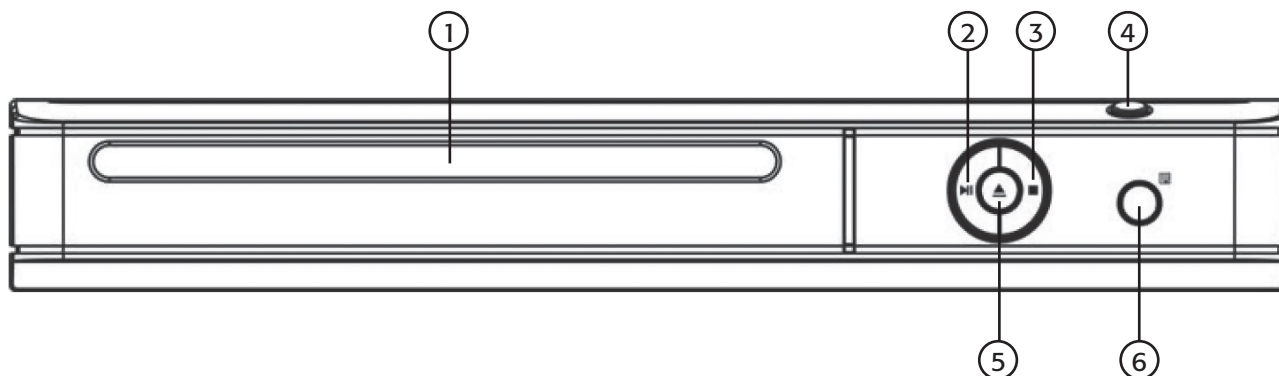


### KLASSE 1 LASERAPPARAT

Advarsel! Åpne ikke dekselet. Usynlig laserstråling som kan forårsake øyeskader. Rett ikke blikket mot strålen, og se ikke direkte på den gjennom optiske instrumenter.

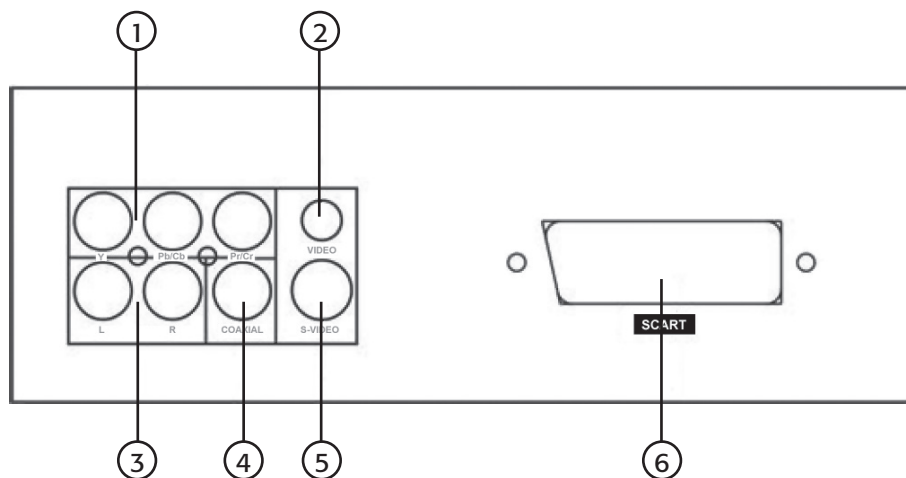
# 1. Knapper og funksjoner

## 1.1 Apparatets framside



1. Plateslisse
2. PLAY/PAUSE
3. STOP (stopp)
4. POWER (av/på)
5. OPEN/CLOSE (åpne/lukke)
6. IR-sensor

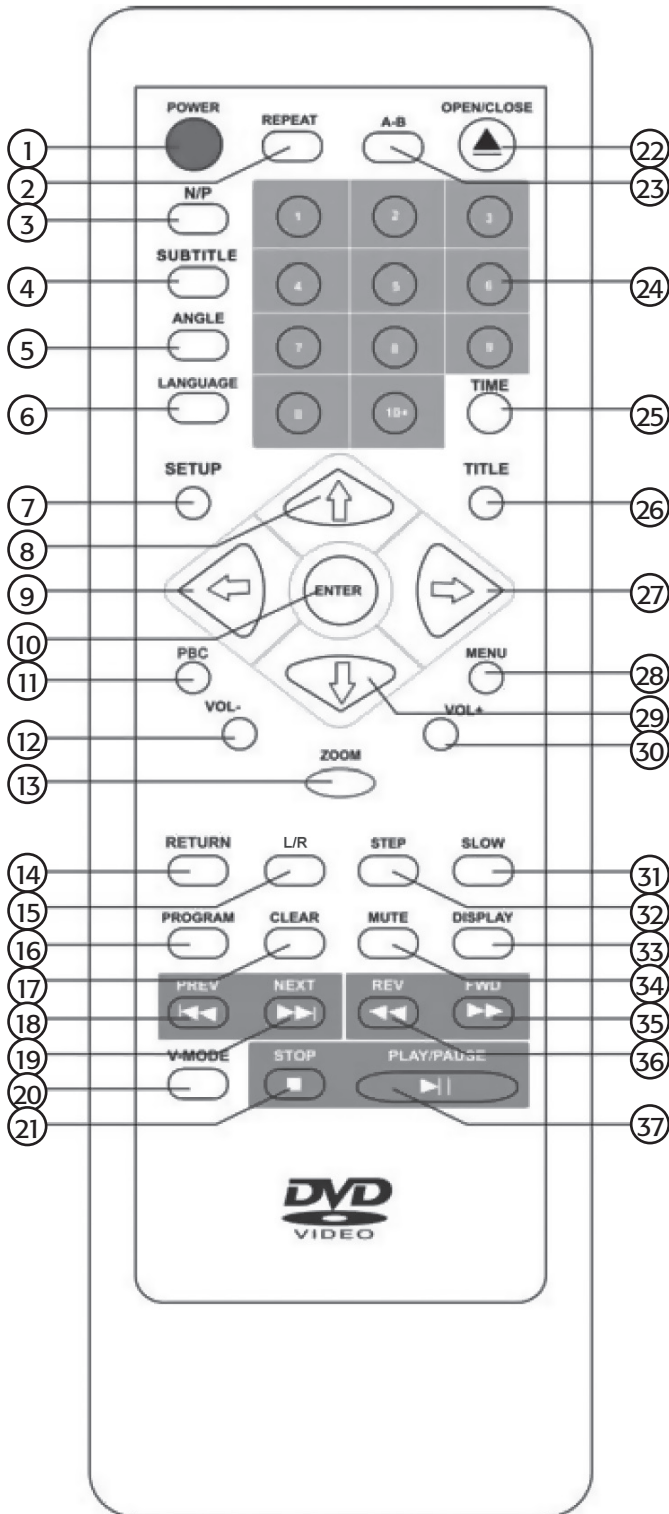
## 1.2 Apparatets bakside



1. **Y / Pb/Cb / Pr/Cr** – Komponentvideoutgang (3 x RCA)
2. **VIDEO** – Komposittvideoutgang. CVBS via RCA-tilkobling.
3. **L-R** – Analog lydutgang. 2-kanals stereo via RCA-tilkobling.
4. **KOAKSIAL** – Digital lydutgang. SPDIF via RCA-tilkobling for koaksial.
5. **S-VIDEO** – Utgang for S-VIDEO via 4-polet mini-DIN.
6. **SCART-utgang**



## 1.3 Fjernkontroll



**Obs!** Sikt alltid med fjernkontrollen direkte mot dvd-spilleren og ikke mot tv-apparatet.

1. [ POWER ] – Slår på og av apparatet
2. [ REPEAT ] – Aktiverer repetert avspilling
3. [ N/P ]
4. [ SUBTITLE ] – Velger undertittel
5. [ ANGLE ] – Velger bildevinkel
6. [ LANGUAGE ] – Velger lydspor/språk
7. [ SETUP ] – Velger innstillingsmenyen
8. [ ▲ ] – Opp
9. [ ◀ ] – Venstre
10. [ ENTER ] – Bekrefter innstillinger
11. [ PBC ]
12. [ VOL - ] – Senk volumet
13. [ ZOOM ] – Forstørrer bildet
14. [ RETURN ]
15. [ L/R ]
16. [ PROGRAM ] – Programmert avspilling
17. [ CLEAR ] – Sletter innmatingen
18. [ |◀◀ ] – Foregående spor/kapittel
19. [ ▶▶| ] – Neste spor/kapittel
20. [ V-MODE ]
21. [ ■ ] – Stopp avspilling
22. [ ▲ ] – Åpner/Lukker plateskuffen
23. [ A-B ] – Spilling av et avsnitt
24. [ 0-9 ] – Talltaster
25. [ TIME ] – Gå til avsnitt
26. [ TITLE ] – Tittel
27. [ ▶ ] – Høyre
28. [ MENU ] – Velger dvd-platens menyer
29. [ ▼ ] – Ned
30. [ VOL + ] – Volum opp
31. [ SLOW ] – Spilling med redusert hastighet
32. [ STEP ]
33. [ DISPLAY ]
34. [ MUTE ] – Skruv av lyden
35. [ ▶▶ ] – Hurtigspole framover
36. [ ◀◀ ] – Hurtigspole bakover
37. [ ▶|| ] – Starte spillingen/pause i spillingen

## 1.4 Følgende typer plater kan spilles på spilleren

- DVD            Enkelt-/ dobbeltsidige med ett eller to lag:  
                  DVD+R/DVD+RW  
                  DVD-R/DVD-RW
- CD-DA (CD-Digital Audio)
- MP3
- MPEG4
- CD-R / CD-RW
- Photo CD (JPEG)

## 2. Vedlikehold

### 2.1 Rengjøring

- Trekk alltid støpselet ut av strømuttaket før rengjøring.
- Påse at det ikke kommer væske inn i dvd-spilleren.
- Bruk kun en lett fuktet klut ved rengjøring av dekkelet.
- Bruk aldri rengjøringsmiddel eller sterke løsemidler.

### 2.2 Vedlikehold av platene

- Hold platen i hullet og på kanten når du håndterer den, så det ikke kommer fingeravtrykk på selve platen.
- Platen må ikke bøyes eller utsettes for direkte sollys eller sterk varme.
- Oppbevar platene stående i sine futteraler.
- Platene skal kun rengjøres med en tørr myk klut. Stryk fra sentrum av platen og utover. Bruk aldri rengjøringsmiddel eller sterke løsemidler.

## 3. Forberedelser

### 3.1 Pakk ut produktet

*Forpakningen inneholder*

- Dvd-spiller
- Fjernkontroll
- Bruksanvisning

*Sett batteriet i fjernkontrollen*

1. Fjern batterilokket.
2. Plasser 2 stk. AAA/LR03-batterier i batteriluken.
3. Påse at de blir satt riktig i. Følg markering i batteriluken.
4. Sett på batterilokket igjen.

**Anm.**

- Skift alltid begge batteriene samtidig.
- Hvis ikke fjernkontrollen skal brukes på en stund bør batteriene tas ut, for å unngå at de skal begynne å lekke.

## 4. Tilkoblinger

Når bilder skal overføres via kabel finnes det noen forskjellige signaler og kontakter å velge mellom.

### Obs!

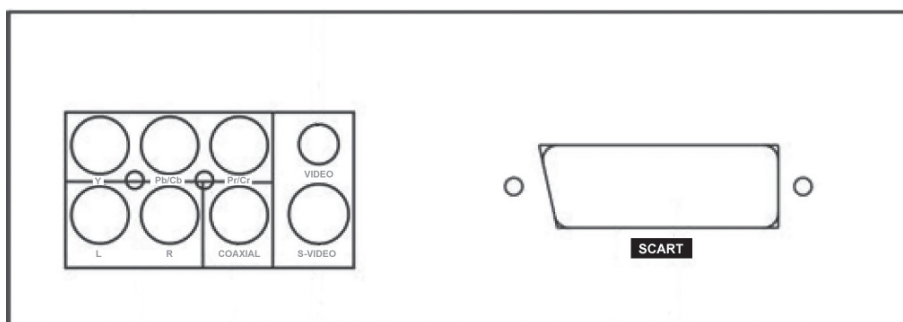
- Før du starter oppkobling må dvd-spiller og tv-apparat skrus av.
- Les tv-apparatets eller forsterkerens manual før sammenkobling.

### Advarsel:

Foreta aldri kobling mellom koaksialutgangen og en forsterker som ikke har Dolby digital AC 3 eller DTS-dekoder. Det kan føre til skader både på høyttalerne og hørselen.

### 4.1 Tilkobling til tv

Dvd-spilleren kan kobles til din tv på flere måter avhengig av hvilke innganger tv-apparatet har.



#### *Den vanligste og enkleste måten er med en SCART-kabel*

- **SCART (6)** – Både bilde og lyd overføres til tv-apparatet. Koble en SCART-kabel (følger ikke med) mellom SCART-utgangen på dvd-spilleren og tv-apparatets SCART inngang.
  - o Kabelen overfører både lyd og bilde.
  - o Velg tv-apparatets AV-kanal.
  - o Trykk på knappen V-MODE på fjernkontrollen for å forandre dvd-spillerens utsignal for best mulig bilde for akkurat ditt tv-apparat.
  - o For de fleste brukere er denne installasjonen nok.

#### *Andre koblingsmuligheter*

Foruten kobling via SCART-kabel kan dvd-spilleren også kobles på flere forskjellige måter. Nedenfor følger en kort forklaring på hvilke forskjellige signaler som dvd-spilleren kan gi.

Viktig! i eksempelet nedenfor henviser vi til tilkoblinger av dvd-spiller til tv. (Tilkobling til projektor, plasma tv og andre "bildeviseende" media med tilsvarende tilkoblingskontakt fungerer på samme måte). Kontroller bruksanvisningen for ditt tv-apparat vedrørende hvilke signaler og kontakter som det er mulig å bruke. I teksten henvises det til forskjellige bildekvalitetsnivåer. Dette er teoretisk og kan skille seg fra praksis, fordi kombinasjonen av forskjellige produkter kan fungere annerledes i praksis.

PAL og NTSC er forskjellige tv-systemer. NTSC bruker først og fremst i USA. PAL brukes vanligvis i hele Vest-Europa. Bildenes kvalitet kan skille seg ut avhengig av om dvd-filmen er innspilt i PAL eller NTSC og om dvd-spilleren er innstilt på PAL eller NTSC.

De fleste tv-apparater og dvd-filmer i Norden er tilpasset for nettopp PAL. Dette er å foretrekke, fordi det gir en høyere oppløsning enn NTSC.

- **Komposittvideo (2) samt L-R (3)** (analog lydutgang).  
Komposittvideoutgangen må aktiveres i menyen.
  - o Komposittvideo (CVBS) kan alle normale tv-apparater håndtere. Enklest er det å bruke SCART-kabelen, fordi SCART kan overføre både bilde (komposittvideo) og lyd. Komposittvideo kan også sendes i separat kabel fra dvd-spillerens komposittvideoutgang på baksiden.
  - o Kabelen kobles til tilsvarende inngang på tv-apparatet (vanligvis "Video In").
  - o Trykk på knappen V-MODE på fjernkontrollen for å forandre dvd-spillerens utsignal for best mulig bilde for akkurat ditt tv-apparat.
  
- **S-VIDEO (5) samt L-R (3)** (analog lydutgang).  
S-video (Y/C) er en høyere bildekvalitet enn komposittvideo og er å foretrekke dersom tv-apparatet har støtte for disse signalene. (Se manualen for tv-en.)
  - o S-VIDEO kobles inn via en 4-polet mini-DIN (vanligvis kalt s-videokontakt). Dvd-spilleren kan trenge å bli stilt om i menyen for å kunne sende ut s-video.
  - o Trykk på knappen V-MODE på fjernkontrollen for å forandre dvd-spillerens utsignal til S-Video.
  - o **OBS!** Hvis tv-apparatet ikke håndterer S-VIDEO, vil bildet bli svart/hvit.
  
- **Komponentvideo (1) samt L-R (3)** (analog lydutgang).  
Komponentvideo (YPbPr) er den høyeste bildekvaliteten som dvd-spilleren klarer å gi og er å foretrekke hvis tv-apparater har støtte for komponentvideo. Dvd-spilleren kan enten sende komponentsignaler som interlace eller progressiv scan. Se manualen for din tv om hvilke av disse som kan brukes.
  - o Komponentvideosignaler kobles via de tre RCA-kontaktene på dvd-spillerens bakside og kobles inn i tilsvarende inngang på tv-apparatet.
  - o Trykk på knappen V-MODE på fjernkontrollen for å forandre dvd-spillerens utsignal mellom interlace og progressiv-scan.

#### Advarsel!

Koble aldri en forsterker til den digitale lydutgangen hvis den ikke har en Dolby digital AC3- eller DTS-dekoder. Ved spilling av en dvd-plate kan dette skade forsterker og høyttalere eller forårsake hørselsskader.

# 5. Forklaring av dvd-spillerens funksjoner

Knappenes beskrivelse gjelder for både dvd-spilleren og fjernkontrollen.

## POWER

Trykk for å slå på og av apparatet.

## OPEN/CLOSE

Trykk for å åpne eller lukke plateskuffen.

## SUBTITLE

Trykk for å forandre undertekstenes språk (gjelder kun for dvd-plater som støtter undertekster).

## LANGUAGE

Trykk for å forandre lydspor/språk (gjelder kun for dvd-plater som støtter dette).

## TIME

- **For dvd-plater:** Trykk for å gå til et ønsket avsnitt eller en bestemt tid. Velg med knappene ▲ eller ▼ og skriv inn tid/avsnitt med talltastene. Bekrefte med ENTER.
- **For SVCD, VCD og CD:** Trykk for å gå til en ønsket tid. Velg med knappene ▲ eller ▼ og skriv inn tiden med talltastene. Bekrefte med ENTER.

## 0-10+ (talltaster)

Brukes for å angi tid, kapittel/avsnitt og spornummer ved søking.

## CLEAR

Trykk for å fjerne tall du har tastet inn med talltastene.

## MENY

Under spilling, trykk på **MENU** for å gå til dvd-platens meny (kun plater som har denne funksjonen).

## SETUP

Trykk for å velge dvd-spillerens innstillingsmeny.

## DISPLAY

Trykk for å vise informasjon om dvd-platen som spilles.

## TITLE

Trykk for å gå til dvd-platens tittelmeny (kun dvd-plater).

## ▲▼◀▶

Brukes til å navigere i dvd-spillerens menyer.

## ENTER

Trykk for å bekrefte dine valg i menyen.

## REV - ◀◀

Trykk for å søke/hurtigspole bakover i et spor/kapittel. Trykk på "PLAY/PAUSE" for å gjenoppta avspillingen i normal hastighet. 2, 4, 8, 16 og normal (play).

## FWD - ▶▶

Trykk for å søke/hurtigspole framover i et spor/kapittel. Trykk på "PLAY/PAUSE" for å gjenoppta avspillingen i normal hastighet. 2, 4, 8, 16 og normal (play).

## PREV- |◀◀

Trykk for å velge foregående spor/kapittel.

## NEXT - ▶▶|

Trykk for å velge neste spor/kapittel.

## STEP

Trykk for å stoppe bildet. Trykk gjentatte ganger for å gå framover bilderute for bilderute (ikke ved spilling av musikk-cd eller mp3). Trykk på "PLAY/PAUSE" for å gjenoppta avspillingen.

## STOP

Trykk en gang for å stoppe spillingen midlertidig for seinere å kunne gjenoppta spillingen fra samme sted på platen. Trykk igjen for å stoppe spillingen helt og å gå tilbake til starten på platen.

## **PLAY/PAUSE**

Brukes for å ta pause i spillingen og for å starte opp igjen etter en pause.

## **VOL- / VOL+**

Trykk på VOL+ for å heve volumet, og VOL- for å senke volumet.

## **REPEAT**

- Ved dvd-spilling, trykk gjentatte ganger for å repetere kapittel/avsnitt (chapter) eller hele filmen (tittel).
- Ved spilling av VCD eller cd, trykk gjentatte ganger for å repetere spor (single) eller alle spor (all).

## **A-B**

(Repetisjon av et avsnitt)

- Under spilling, trykk på **A-B** for å markere starten på avsnittet (A), trykk igjen for å markere slutten på avsnittet (B) som skal repeteres. Spillingen skjer nå mellom de to markeringene og repeteres automatisk. Trykk igjen på **A-B** for å avbryte repetisjonen mellom markeringene og for å fjerne dem.
- **Anm.** Ved spilling av CD/VCD/SVCD må markeringene **A** og **B** være innenfor samme spor. Ved dvd-spilling kan markeringene være i forskjellige kapittel/avsnitt.

## **ANGLE**

Trykk for å velge bildevinkel (hvis dvd-filmen støtter dette).

## **MUTE**

Trykk på MUTE for å stenge av lyden helt. Trykk en gang til og lyden stilles tilbake til lydvolument du hadde før avstenging.

## **L/R**

Ved spilling av CD/VCD/SVCD, trykk på L/R for å velge lydkanal (venstre/høyre/miks/stereo).

## **N/P**

I stopposisjon, trykk på N/P for å velge bildestandard, AUTO, NTSC eller PAL.

## **PBC**

Ved spilling av VCD/SVCD, trykk for å slå på eller av PBC (Playback Control).

## **SLOW**

Ved spilling av DVD/VCD/SVCD, trykk på SLOW for å spille av med redusert hastighet. Trykk på "PLAY/PAUSE" for å gå tilbake til normal avspilling.

## **V-MODE**

I stoppeposisjon, trykk på V-MODE for å velge forskjellige typer med utsignal for bildet: S-VIDEO, COMPONENT, RGB eller P-SCAN.

## **RETURN**

Ved spilling av VCD/SVCD med PBC aktivert, trykk på RETURN for å gå tilbake til hovedmenyen.

## **PROGRAM**

Ingen funksjon på denne modellen.

## **ZOOM**

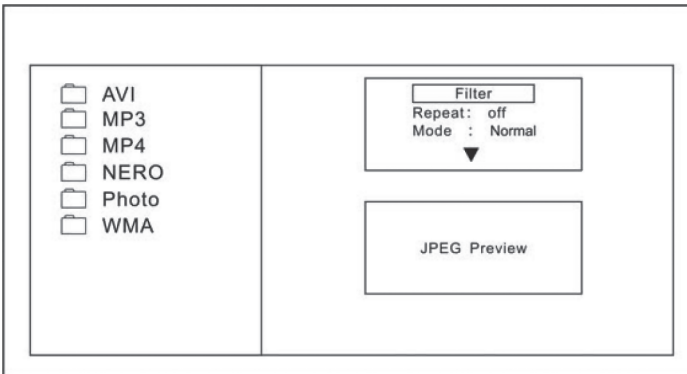
Trykk gjentatte ganger for å forstørre bildet (fungerer kun på visse filmer).

# 6. Avspilling


## 6.1 Spille av en dvd-plate

1. Legg i en dvd-plate, med etiketten vendt oppover, i plateskuffen og lukk den.
2. Platens hovedmeny lades automatisk.
3. Bruk piltastene på fjernkontrollen for å foreta dine valg i platens hovedmeny, eller trykk på PLAY/PAUSE for å starte avspillingen direkte.

## 6.2 Avspilling av mp3/WMA/MPEG4/JPEG og Kodak Picture cd



Når en plate som inneholder MP3-/WMA/ MPEG4/JPEC-filer eller Picture CD legges i, vises platens innhold på skjermen.

- Bruk piltastene for å velge katalog eller det spor som skal spilles av. Trykk på ENTER for å bekrefte.
- For å gå oppover i katalogene, marker  og trykk på ENTER for å bekrefte.
- Forklaring av den høyre menyen (bruk piltastene for å bla i listen):
  - o **Filter**  
Velger hvilke filtyper som skal vises i fillisten til venstre. Audio, Photo eller Video
  - o **Repeat**  
Velger repetert spilling.
  - o **Mode**  
Velger blandet spilling (Shuffle), kun spilling av 10 sekunder på hvert spor (Intro) eller normal spilling (Normal).
  - o **Edit Mode**  
Velg **Edit Mode** og bruk deretter piltastene og ENTER for å markere hvilke spor du vil ha med i spillelisten. Marker **Add To Program** og trykk deretter på ENTER for å legge til markerte spor i spillelisten.
  - o **Program View**  
Viser programmerte spor i spillelisten. Marker første sporet på listen og trykk på PLAY/PAUSE for å starte spillingen.
  - o **Add To Program**  
Legger til markerte spor i "Edit Mode" i spillelisten.
  - o **Browser View**  
Viser fillisten.
  - o **Clear Program**  
Tømmer spillelisten.

## 7. Systeminnstillinger

For å gå inn i menyen, trykk på SETUP på fjernkontrollen. Bruk deretter piltastene for å navigere deg rundt i menyene. Trykk på ENTER for å bekrefte dine valg.

For å avslutte og å gå ut av menyen, trykk igjen på SETUP.

### 7.1 Language (Språk)

Language	OSD Language: English
Video	Subtitle : English
Audio	Audio : English
Rating	DVD Menu : English
Misc	

Velger språk for menyer, undertekster og lydspor.

- **OSD-language** (Språk for menyer)
- **Subtitle** (Språk for undertekster)
- **Audio** (Ønsket lydspor ved spilling av dvd)
- **DVD Menu** (Ønsket språk for dvd-platens meny)

### 7.2 Video

Language	Aspect Ratio : 4:3
Video	View Mode : Auto Fit
Audio	TV System : PAL
Rating	Video Out : Component
Misc	

Velger bildeformat.

- **Aspect Ratio** (Bildeforhold, bildenes proporsjoner)  
Velg mellom 4:3 og 16:9 avhengig av ditt tv-apparat.
- **View Mode** (Angir hvordan bildene vises på skjermen)
- **TV System** (Velg bildestandard, AUTO, NTSC eller PAL)
- **Video Out** (Velg utsignal for bildene, S-VIDEO, COMPONENT, RGB eller P-SCAN)
  - o **S-VIDEO:** Still videoutgangen til interlaceutgangen.
  - o **COMPONENT:** Still videoutgangen til YUV-utgangen.
  - o **P-SCAN:** Dersom tv-apparatet ditt er progressivt oppnås best bilde her.
  - o **RGB:** Still videoutgangen til SCART-utgangen. Hvis du velger SCART-tilkobling, bør du sette spillemodus til RGB.



## 7.3 Audio

Language	Digital Output : PCM Night Mode : Off Down Sampling : Off
Video	
Audio	
Rating	
Misc	

Forandrer lydegenskapene.

- **Digital output (digital utgang)**

Valg av digital utgang gjør at man kan justere lydutgangen på S/PDIF-porter, slik at den fungerer sammen med lydutstyret (f.eks. mottaker og høyttaler) som er koblet til dvd-spillere.

- o **Off:** Digital lydutgang er frakoblet.
- o **PCM:** Velg dette når du skal bruke stereosignaler (2 kanaler). Du bør kombinere denne muligheten med "lower sampling rate" som forklares i teksten nedenfor.
- o **All:** Denne modusen benytter dvd-platens opprinnelige lyd. Benytt denne modusen når du bruker Dolby Digital AC3-signaler gjennom den optiske eller koaksiale lydutgangen.

- **Night Mode**

For å justere lyden, velg **ON** når du spiller inn en plate i løpet av dagen, for bedre lyd, mens man om natten kan velge **OFF** hvis man ikke vil forstyrre omgivelsen.

- **Down Sampling**

Velg posisjon **ON** dersom du har valgt "PCM" som Digital Output i trinnet ovenfor.

- o **ON:** "Lower sampling rate" er aktivert.
- o **OFF:** "Lower sampling rate" er deaktivert.

## 7.4 Innstilling av barnelås (foreldrekontroll)

Language	Parental Control : 8. Adult <input type="button" value="Set Password"/>
Video	
Audio	
Rating	
Misc	

Denne innstilling gir mulighet til å stille inn ønskede restriksjoner til barna for å hindre at uønskede filmer sees.

### Forandre restriksjoner

- Marker **Parental Control** og trykk på ENTER for å velge ønsket grad av lås. For å utføre dette må passordet oppgis. Det forhåndsinnstilte passordet er "8888". Trykk høyre og velg med opp/ned, trykk ENTER for å velge.
- **Obs!** Det er kun spesielle dvd-filmer som støtter "foreldrekontroll".

### Lag et eget personlig passord

1. Marker **Set Password** og trykk på ENTER.
2. Angi det forhåndsinnstilte passordet "8888" og bekreft med ENTER.
3. Trykk igjen på ENTER.
4. Angi ønsket passord og trykk på ENTER for å bekrefte.

**Anm.** Hvis du har glemt ditt personlige passord kan du alltid bruke det forhåndsinnstilte passordet "8888" for å låse opp.

## 7.5 MISC (gå tilbake til fabrikkinnstillingene)

Language	<input type="button" value="Use Default Settings"/>
Video	
Audio	
Rating	
Misc	

1. Gå til **Misc**.
2. Trykk på ► for å åpne undermenyen og velg **Use Default Settings**.
3. Trykk ENTER, marker deretter **Yes** i vinduet: Do you want to use the default setting?
4. Trykk ENTER.
5. Dvd-spilleren restarter med de opprinnelige innstillingene.

## 8. Feilsøkingsskjema

Problem	Mulig årsak/løsning
Ikke noe bilde eller lyd.	<ol style="list-style-type: none"> <li>1. Er alle enhetenes kabler plugget ordentlig?</li> <li>2. Er alle enhetene skrudd på?</li> <li>3. Er bilde og lyd avstengt på TV-menyen?</li> <li>4. Er tv-apparatet riktig koblet til dvd-spilleren?</li> </ol>
Avspillingen starter ikke.	<ol style="list-style-type: none"> <li>1. Er platen satt riktig inn?</li> <li>2. Pass på at platen ikke er skitten eller har fingertrykk.</li> <li>3. Platen har feil regionskode.</li> <li>4. Platens innhold er av feil format.</li> <li>5. Forandre på innstillingene for foreldrekontrollen.</li> <li>6. Skru av spilleren, dra ut stikkontakten, sett den inn igjen og start spilleren igjen.</li> <li>7. Dugg på linsen, la spilleren hvile et par timer før du slår den på igjen.</li> </ol>
Ikke noe bilde.	<ol style="list-style-type: none"> <li>1. Er tv-apparatet skrudd på?</li> <li>2. Kontroller koblingspunktene.</li> <li>3. Trykk på V-MODE for å skifte utsignal.</li> </ol>
Bildet flimrer/kornete bilde.	<ol style="list-style-type: none"> <li>1. Koble dvd-spilleren direkte til tv-apparatet og ikke gå via andre enheter. Forstyrrelsene kan komme av dvd-spillerens innbygde kopieringsbeskyttelse (et krav til alle dvd-spillere).</li> <li>2. Skaff en RF-adapter dersom tv-apparatet ikke har videoinngang.</li> <li>3. Kontroller fargeinnstillingene på dvd-spilleren og på tv-apparatet.</li> <li>4. Dårlig kvalitet på platen eller oppskrapt plate.</li> </ol>
Bildet er sort/hvitt eller det ruller.	<ul style="list-style-type: none"> <li>• Kontroller at du har valgt riktig tv-system (PAL eller NTSC). Velg posisjon med knappene N/P på fjernkontrollen.</li> </ul>
Bildet er mindre enn skjermen.	<ol style="list-style-type: none"> <li>1. Velg skjermformat: (SETUP MENU &gt; VIDEO &gt; ASPECT RATIO).</li> <li>2. Velg skjermformat fra dvd-platens meny.</li> </ol>
Det går ikke å søke eller å bla framover/bakover.	<ol style="list-style-type: none"> <li>1. Visse plater er programmert til å ikke tillate å søke eller å bla framover/bakover.</li> <li>2. Platen har bare ett spor.</li> </ol>
Ingen lyd eller forvrengt lyd.	<ol style="list-style-type: none"> <li>1. Kontroller at tv og forsterkeren er slått på og har riktige innstillinger.</li> <li>2. Kontroller at tv og forsterker er riktig tilkoblet og at kontaktene er plugget inn.</li> <li>3. Trykk på LANGUAGE for å velge et annet lydspor.</li> <li>4. Kontroller at ikke "Mute"-funksjonen er aktivert på dvd-spilleren, tv-apparatet eller forsterkeren.</li> <li>5. Det er ingen lyd ved søking bakover, framover, ved pause, step og slow.</li> </ol>

Ingen lyd overhode fra mp3-platen.	<ol style="list-style-type: none"> <li>1. Hvis en mp3-plate består av mp3-filer blandet med programfiler, blir det stille eller ulyd der hvor programfilene er.</li> <li>2. Sjekk at platen kun inneholder mp3-filer.</li> <li>3. Prøv neste mp3-spor.</li> </ol>
Fjernkontrollen fungerer ikke.	<ol style="list-style-type: none"> <li>1. Batteriene er dårlige eller galt satt inn.</li> <li>2. Fjernkontrollen brukes for langt fra dvd-spilleren eller så er det noe i veien mellom enhetene.</li> <li>3. Dvd-spilleren er i standby-modus.</li> </ol>
Ingen Dolby Digital- eller DTS- lyd via de digitale lydutgangen.	<ol style="list-style-type: none"> <li>1. Kontroller at forsterkeren støtter Dolby Digital eller DTS.</li> <li>2. Kontroller at en koaksial lydkabel brukes mellom dvd-spillerens digitale lydutgang og forsterkerens digitale lydinnang.</li> <li>3. Kontroller at platen har støtte for Dolby Digital eller DTS og at det har blitt valgt riktig i platens meny.</li> </ol>

## 9. Avfallshåndtering

Når produktet skal kasseres, må det skje i henhold til lokale forskrifter. Er du usikker på hvordan du går fram, ta kontakt med lokale myndigheter.

## 10. Spesifikasjoner

Kompatibel med følgende plateformat	DVD SVCD VCD CD MP3 Kodak Picture CD Photo CD MPEG4
Signalutgang	Fargesystem: PAL/AUTO/NTSC Lydsystem: Stereo R/L, koaksial/digital utgang Videoutgang: 1 Vpp (ved 75 Ohm)
Frekvensomfang:	20 Hz – 20 KHz
S/N-nivå:	≥ 90 dB
Tilkoblinger	SCART, S-video, komponentvideo, koaksial digital og analog lydutgang
Strømforsyning	230 V AC, 50 Hz, 25 W
Størrelse	255 x 38 x 190 mm

**Obs.:** Tidsintervallet mellom to trykninger på POWER-knappen må være minst 30 sekunder.

# Dvd-/MPEG4-soitin

Tuotenro 18-8108  
38-3301

Malli M251-UK  
M251

Lue käyttöohjeet ennen tuotteen käyttöönottoa. Säilytä käyttöohjeet tulevaa tarvetta varten. Pidätämme oikeuden teknisten tietojen muutoksiin. Emme vastaa mahdollisista teksti- tai kuvavirheistä. Jos laitteeseen tulee teknisiä ongelmia, ota yhteys myymälään tai asiakaspalveluun (yhteystiedot käyttöohjeen lopussa).

## Turvallisuus



### Varoitus

Älä avaa laitteen kotelo! Kotelon sisällä on vaarallista jännitettä sisältäviä suojaamattomia komponentteja, jotka voivat aiheuttaa sähköiskun.

- Laitteen saa korjata vain valtuutettu huoltoliike.
- Älä pura tai muuta laitetta.
- Tuote on tarkoitettu vain sisäkäyttöön.
- Älä altista laitetta liian korkeille lämpötiloille, iskuille, kosteudelle tai vedelle.
- Älä sijoita laitetta sellaiseen paikkaan, josta se voi tippua veteen tai muuhun nesteeseen. Älä laita laitteen päälle nesteitä sisältäviä esineitä, kuten maljakoita tai limsapulloja.
- Älä käytä laitetta kosteissa tai pölyisissä tiloissa tai paikoissa, joissa siihen kohdistuu voimakasta värähtelyä.
- Sammuta mahdollinen valmiustila yön ajaksi ja poistuessasi kotoa.

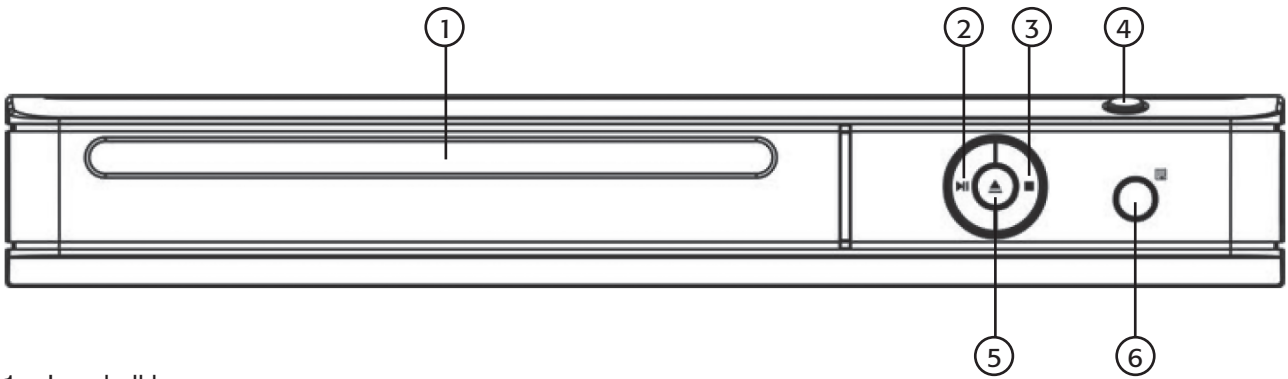


### LUOKAN 1 LASERLAITE

Varoitus! Älä avaa laitteen kotelo! Näkymätön lasersäde voi aiheuttaa silmävaurioita. Älä katso säteeseen edes optisten instrumenttien läpi.

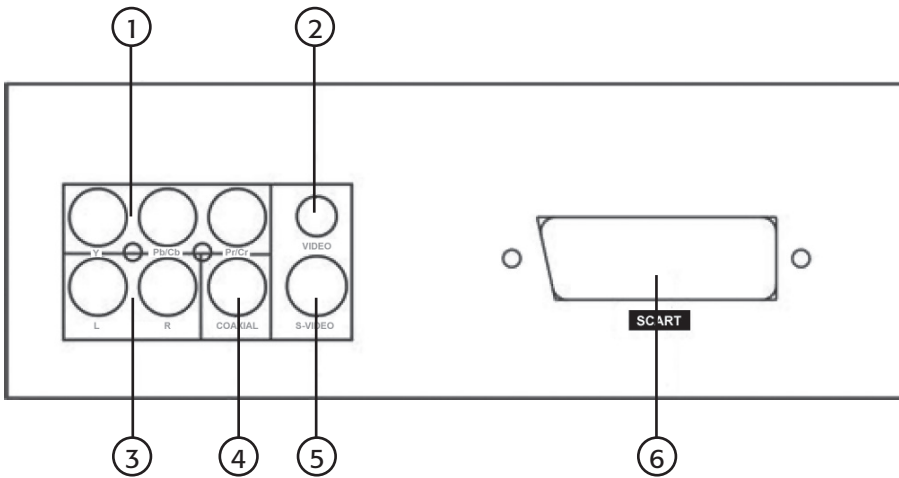
# 1. Painikkeet ja toiminnot

## 1.1 Laitteen etupuoli



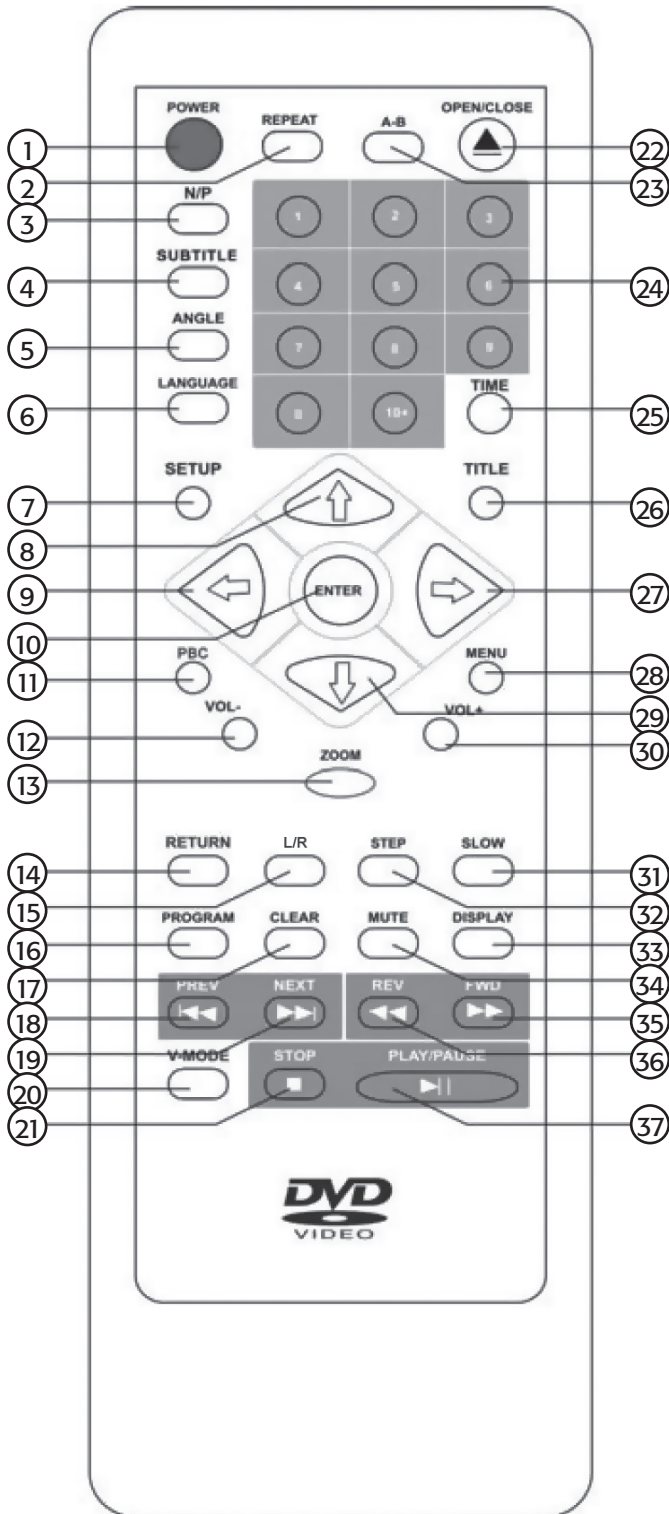
1. Levykelkka
2. PLAY/PAUSE
3. STOP (pysäytys)
4. POWER (virta päällä/poissa)
5. OPEN/CLOSE (avaa/sulje levykelkka)
6. Infrapuna-anturi

## 1.2 Laitteen takapuoli



1. **Y / Pb/Cb / Pr/Cr** – Komponenttvideoliitäntä (3 x RCA)
2. **VIDEO** – Komposiittivideoliitäntä CVBS RCA-liittimillä.
3. **L-R** – Analoginen ääniliitäntä. 2-kanavainen stereo RCA-liittimillä.
4. **KOAXIAL** – Digitaalinen ääniliitäntä. SPDIF RCA-koaksiaaliliitännällä.
5. **S-VIDEO** – S-video-liitäntä 4-napaisella mini-DIN-liittimellä.
6. **SCART-liitäntä**

## 1.3 Kaukosäädin



**Huom.!** Suuntaa kaukosäädin aina dvd-soitinta kohti, ei televisiota kohti.

1. [ POWER ] – Kytkee laitteen päälle ja sammuttaa sen
2. [ REPEAT ] – Aktivoi uudelleentoiston
3. [ N/P ]
4. [ SUBTITLE ] – Valitsee tekstityksen
5. [ ANGLE ] – Valitsee kuvakulman
6. [ LANGUAGE ] – Valitsee ääniraidan/kielen
7. [ SETUP ] – Valitsee asetusvalikon
8. [ ▲ ] – Ylös
9. [ ◀ ] – Vasemmalle
10. [ ENTER ] – Vahvistaa asetukset
11. [ PBC ]
12. [ VOL - ] – Vähentää äänenvoimakkuutta
13. [ ZOOM ] – Suurentaa kuvaa
14. [ RETURN ]
15. [ L/R ]
16. [ PROGRAM ] – Ohjelmoi toiston
17. [ CLEAR ] – Mitätöi syötetyn tekstin
18. [ |◀◀ ] – Edellinen raita/luku
19. [ ▶▶| ] – Seuraava raita/luku
20. [ V-MODE ]
21. [ ■ ] – Pysäyttää toiston
22. [ ▲ ] – Avaa/sulkee levykelkan
23. [ A-B ] – Yhden kohdan toisto
24. [ 0-9 ] – Numeropainikkeet
25. [ TIME ] – Siirry kohtaan
26. [ TITLE ] – Otsikko
27. [ ▶ ] – Oikea
28. [ MENU ] – Valitsee dvd-levyn valikot
29. [ ▼ ] – Alas
30. [ VOL + ] – Äänenvoimakkuuden lisäys
31. [ SLOW ] – Toisto hitaalla nopeudella
32. [ STEP ]
33. [ DISPLAY ]
34. [ MUTE ] – Äänen mykistys
35. [ ▶▶ ] – Pikakelaus eteenpäin
36. [ ◀◀ ] – Pikakelaus taaksepäin
37. [ ▶|| ] – Pysäyttää/keskeyttää toiston

## 1.4 Soitin toistaa seuraavat levyformaattit

- DVD Yksi- ja kaksipuoliset yksi- ja kaksikerroksiset:  
DVD+R/DVD+RW  
DVD-R/DVD-RW
- CD-DA (CD-Digital Audio)
- MP3
- MPEG4
- CD-R / CD-RW
- Photo CD (JPEG)

## 2. Hoito

### 2.1 Puhdistaminen

- Irrota aina virtajohdon pistoke verkkovirrasta ennen puhdistusta.
- Varmista, että laitteeseen ei pääse kosteutta.
- Käytä kosteaa liinaa, kun puhdistat laitteen kotelo.
- Älä käytä voimakkaita puhdistusaineita tai liuottimia.

### 2.2 Käsittele levyjä oikein

- Pitele levyä reiästä ja reunasta. Näin vältät sormenjälkien ja lian kertymisen levyn pintaan.
- Älä taivuta levyä äläkä altista sitä suoralle auringonvalolle tai muulle lämmönlähteelle.
- Säilytä levyjä koteloissaan.
- Puhdista levyt kuivalla ja pehmeällä liinalla keskeltä ulospäin. Älä käytä puhdistusaineita tai vahvoja liuottimia.

## 3. Esivalmistelut

### 3.1 Ota tuote pakkauksesta

#### *Pakkauksen sisältö*

- Dvd-soitin
- Kaukosäädin
- Käyttöohje

#### *Aseta paristot kaukosäätimeen*

1. Irrota paristolokeron kansi.
2. Aseta lokeroon kaksi AAA/LR03-paristoa.
3. Varmista, että paristot tulevat lokeroon oikein päin.
4. Pane paristolokeron kansi takaisin paikalleen.

#### **Huom.**

- Vaihda aina molemmat paristot samalla kertaa.
- Poista paristot kaukosäätimestä vuotojen estämiseksi, mikäli et aio käyttää sitä vähään aikaan.



## 4. Liitännät

Kun kuvaa siirretään johdoilla, voit valita eri signaaleja ja liittimiä.

### Huom.!

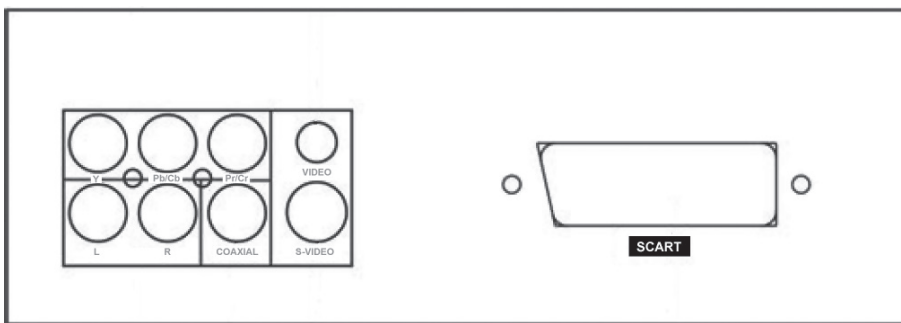
- Sammuta dvd-soitin ja televisio, ennen kuin teet liitännöjä.
- Lue television tai vahvistimen käyttöohje ennen dvd-soittimen liittämistä.

### Varoitus!

Älä liitä koaksiaaliliitännää vahvistimeen, jossa ei ole Dolby digital AC 3- tai DTS-dekooderia. Muuten kaiuttimet voivat rikkoutua ja aiheuttaa kuulovaurioita.

### 4.1. Liittäminen televisioon

Dvd-soitin voidaan liittää televisioon monella eri tavalla riippuen television liitännöistä.



#### *Yleisin ja yksinkertaisin liitäntä on SCART-johto*

- **SCART (6)** – Sekä kuva että ääni siirtyvät televisioon. Liitä SCART-johto (ei sisälly) dvd-soittimen SCART-ulostulon ja television SCART-sisäänmenon välille.
  - o Johto siirtää sekä kuvan että äänen.
  - o Valitse television videokanava (AV).
  - o Vaihda dvd-soittimen ulostulosignaalia painamalla kaukosäätimen V-MODE -painiketta saavuttaaksesi parhaan mahdollisen kuvan televisioosi.
  - o Useimmille käyttäjille tämä asennus riittää.

#### *Muut liitännät*

SCART-kaapelin lisäksi voidaan dvd-soitin kytkeä usealla eri tavalla. Seuraavat kohdat selittävät vaihtoehtoisia dvd-soittimen signaalinsiirtotapoja.

Tärkeää. Seuraavat esimerkit ovat dvd-soittimen ja television välillä olevia, mutta ne toimivat myös muiden laitteiden (plasma-tv, videoprojektori yms.) liittämisessä, kun vain tarvittavat liittimet ovat käytettävissä. Katso television käyttöohjeesta, mitä liittimiä ja signaaleja on käytettävissä. Tässä tekstissä viitataan erilaisiin kuvanlaatuihin. Ne ovat teoreettisia, ja voivat käytännössä vaihdella, sillä eri laitteiden yhdistelmät voivat toimia eri tavoin.

PAL ja NTSC ovat eri tv-järjestelmiä. NTSC:tä käytetään lähinnä USA:ssa. PAL:ää käytetään yleisesti läntisessä Euroopassa. Kuvanlaatu voi vaihdella dvd-filmin tallennusmuodon (PAL tai NTSC) mukaan ja dvd-soittimen asetuksen (PAL tai NTSC) mukaan.

Useimmat televisiot ja dvd-filmit Pohjoismaissa sopivat PAL:lle. Sitä pidetään parempana, koska sillä on parempi erottelukyky kuin NTSC:llä.

- **Komposiittivideo (2)** sekä **L-R (3)** (analoginen ääniliitäntä).  
Komposiittivideoliitäntä täytyy aktivoida valikosta.
  - o Komposiittivideo (CVBS) toimii kaikilla normaaleilla televisioilla. Yksinkertaisinta on käyttää SCART-johtoa, koska SCART siirtää sekä kuvan (komposiittivideon) että äänen. Komposiittivideo voidaan siirtää myös omalla johdollaan dvd-soittimen komposiittivideoulostulosta.
  - o Johto liitetään television vastaavaan sisäänmenoon (yleensä Video in).
  - o Vaihda dvd-soittimen ulostulosignaalia painamalla kaukosäätimen V-MODE -painiketta saavuttaaksesi parhaan mahdollisen kuvan televisioosi.
  
- **S-VIDEO (5)** sekä **L-R (3)** (analoginen ääniliitäntä).  
S-video (Y/C) mahdollistaa paremman kuvanlaadun kuin komposiittivideo ja on suositeltavampi, jos television ominaisuudet mahdollistavat sen käytön. (Katso television käyttöohjeesta.)
  - o S-video liitetään 4-napaisella mini-DIN-liittimellä (kutsutaan s-videoliittimeksi). Dvd-soitin täytyy ehkä asettaa valikosta, jotta se pystyy lähettämään s-video -signaalia.
  - o Paina kaukosäätimen V-MODE-painiketta muuttaaksesi dvd-soittimen ulostulosignaalin s-video-signaaliksi.
  - o **HUOM.!** Kuva muuttuu mustavalkoiseksi, jos televisio ei tue s-video-signaalia.
  
- **Komponenttivideo (1)** sekä **L-R (3)** (analoginen ääniliitäntä).  
Komponenttivideo (YPbPr) antaa parhaan kuvanlaadun, mitä dvd-soitin lähettää. Sitä suositellaan käytettäväksi, jos television ominaisuudet tukevat komponenttivideota. Dvd-soitin voi lähettää komponenttisignaalin joko interlace- tai progressive scan -tilassa. Katso television käyttöohjeesta kumpaa tapaa televisiosi tukee.
  - o Komponenttivideosignaali voidaan liittää kolmella RCA-liittimellä dvd-soittimen takaa ja kytkeä television vastaaviin liittimiin.
  - o Paina kaukosäätimen V-MODE -painiketta vaihtaaksesi dvd-soittimen ulostulosignaalia interlace- ja progressive scan -tilojen välillä.

### Varoitus!

Älä koskaan liitä vahvistinta digitaaliseen ääniliitäntään, jos sillä ei ole Dolby digital AC3- tai DTS-dekooderia. Dvd-levyjä toistettaessa voi tämä vahingoittaa vahvistimia ja kaiuttimia tai aiheuttaa kuulovaurioita.

# 5. Dvd-soittimen toiminnot

Painikkeiden toiminnot ovat samat sekä dvd-soittimessa että kaukosäätimessä.

## POWER

Paina soitin päälle tai pois päältä.

## OPEN/CLOSE

Avaa tai sulje levykelkka.

## SUBTITLE

Vaihda tekstitysten kieltä (ainoastaan tekstitystä tukevissa dvd-levyissä).

## LANGUAGE

Vaihda ääniraitaa/kieltä (ainoastaan tätä tukevissa dvd-levyissä).

## TIME

- **Dvd-levyt:** Paina tätä painiketta syöttääksesi tietyn kohdan tai ajan. Valitse painikkeilla ▲ ja ▼. Syötä aika/kohta numeropainikkeilla. Vahvasta painamalla ENTER.
- **SVCD, VCD ja cd:** Paina syöttääksesi tietyn ajan. Valitse painikkeilla ▲ ja ▼. Syötä aika numeropainikkeilla. Vahvasta painamalla ENTER.

## 0–10+ (numeropainikkeet)

Käytä ajan, luvun/kohdan ja raidan numeron syöttämiseen.

## CLEAR

Poista numeropainikkeilla syöttämiäsi numeroita.

## MENU

Paina MENU-painiketta toiston aikana siirtyäksesi dvd-levyn valikkoon (ainoastaan niissä levyissä, joissa on valikkotoiminto).

## SETUP

Valitse dvd-soittimen asetusvalikko.

## DISPLAY

Katsele dvd-levyn tietoja toiston aikana.

## TITLE

Mene dvd-levyn otsikkovalikkoon (ainoastaan dvd-levyissä).

## ▲▼◀▶

Siirry nuolinäppäimillä dvd-soittimen valikoissa.

## ENTER

Vahvasta valintasi valikoissa.

## REV - ◀◀

Etsi/pikakelaa taaksepäin raidassa/kappaleessa. Jatka toistoa normaalilla nopeudella painamalla PLAY/PAUSE. 2, 4, 8, 16 ja normal (play).

## FWD - ▶▶

Etsi/pikakelaa eteenpäin raidassa/kappaleessa. Jatka toistoa normaalilla nopeudella painamalla PLAY/PAUSE. 2, 4, 8, 16 ja normal (play).

## PREV- |◀◀

Valitse edellinen raita/luku.

## NEXT - ▶▶|

Valitse seuraava raita/luku.

## STEP

Pysäytä kuva. Paina useita kertoja, jos haluat edetä kuvaruutu kerrallaan (ei toimi toistettaessa cd:tä tai mp3:a). Jatka toistoa painamalla PLAY/PAUSE.

## STOP

Paina kerran, jos haluat pysäyttää toiston väliaikaisesti. Tällöin voit jatkaa toistoa myöhemmin samasta kohdasta. Paina toistamiseen, jos haluat pysäyttää toiston kokonaan ja palata levyn alkuun.

## **PLAY/PAUSE**

Aloita toisto tai keskeytä se hetkeksi.

## **VOL- / VOL+**

Lisää äänenvoimakkuutta painamalla VOL+ tai laske äänenvoimakkuutta painamalla VOL-.

## **REPEAT**

- Paina useita kertoja dvd-levyn toiston aikana, kun haluat toistaa kappaleen/kohdan (chapter) tai koko filmin (title).
- Paina useita kertoja VCD- tai cd-levyn toiston aikana kun haluat toistaa yhden raidan (single) tai kaikki raidat (all).

## **A-B**

(Yhden kohdan toisto)

- Paina A–B-painiketta tavallisen toiston aikana merkitäksesi toistettavan kohdan alun (A). Paina toistamiseen merkitäksesi toistettavan kohdan lopun (B). Soitin toistaa nyt näiden kahden kohdan välisen kohdan ja toistaa sen uudelleen automaattisesti. Paina A–B-painiketta uudelleen, kun haluat keskeyttää toiston ja poistaa merkinnät.
- **Huom.** Toistettaessa cd/VCD/SVCD-levyjä täytyy merkintöjen **A** ja **B** olla samassa raidassa. Dvd-levyä toistettaessa voivat merkinnät olla eri kappaleissa/kohdissa.

## **ANGLE**

Valitse kuvakulma (jos dvd-filmi tukee toimintoa).

## **MUTE**

Mykistä ääni. Voit palata aiemmin asetettuun äänenvoimakkuuteen painamalla painiketta uudestaan.

## **L/R**

Toistettaessa cd/VCD/SVCD-levyjä paina L/R-painiketta valitaksesi haluamasi äänikanavan (vasen/oikea/mix/stereo).

## **N/P**

Paina odotustilassa N/P-painiketta ja valitse kuvastandardi, AUTO, NTSC tai PAL.

## **PBC**

VCD/SVCD-levyjä toistettaessa paina laittaaksesi PBC:n (Playback Control) päälle tai pois päältä

## **SLOW**

Paina SLOW-painiketta tavallisen dvd/VCD/SVCD-levyn toiston aikana toistaaksesi levyä hitaalla nopeudella. Palaa normaaliin toistoon painamalla PLAY/PAUSE.

## **V-MODE**

Paina odotustilassa V-MODE -painiketta ja valitse erityyppisiä kuvan ulostulosignaaleja, S-VIDEO, COMPONENT, RGB tai P-SCAN.

## **RETURN**

Toistettaessa VCD/SVCD-levyjä ja PBC:n ollessa aktivoituna, paina RETURN-painiketta palataksesi päävalikkoon.

## **PROGRAM**

Ei toimintoja tässä mallissa.

## **ZOOM**

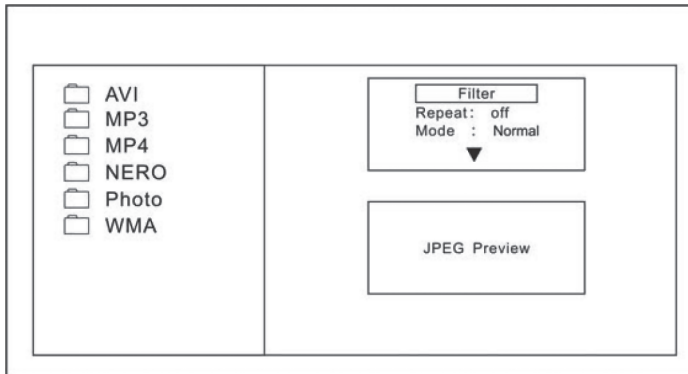
Paina useita kertoja suurentaaksesi kuvan (toimii vain joissakin filmeissä).

## 6. Toisto


### 6.1 Dvd-levyn toisto

1. Aseta levykelkkaan dvd-levy etikettipuoli ylöspäin ja sulje levykelkka.
2. Levyn päävalikko latautuu automaattisesti.
3. Käytä kaukosäätimen nuolinäppäimiä valitaksesi haluamasi vaihtoehdon päävalikosta. Voit myös painaa PLAY/PAUSE, jos haluat aloittaa toiston välittömästi.

### 6.2 MP3/WMA/MPEG4/JPEG-toisto ja Kodak Picture CD -toisto



Kun soittimeen asetetaan mp3-, WMA- tai MPEG4- tai JPEG-tiedostoja sisältävä levy tai Picture CD, ilmestyy levyn sisältö näytölle.

- Valitse soitettava luettelo tai raita nuolipainikkeiden avulla. Vahvasta painamalla ENTER.
- Siirry kansioissa ylöspäin, merkitsemällä  ja vahvasta painamalla ENTER.
- Oikeanpuoleisen valikon selitykset (käytä nuolipainikkeita selataksesi listaa):
  - o **Filter**  
Valitse minkä tyyppisiä tiedostoja näkyy vasemmalla tiedostolistassa. Audio, photo ja video.
  - o **Repeat**  
Valitse jatkuva toisto.
  - o **Mode**  
Valitse satunnaisto (Shuffle), esittelytoisto (jokaisesta raidasta soitetään vain 10 sekuntia) (Intro) tai normaalitoisto (Normal).
  - o **Edit Mode**  
Valitse Edit Mode ja käytä sitten nuolipainikkeita ja ENTER-painiketta merkitäksesi soittolistaan haluamasi raidat. Valitse Add To Program ja paina sitten ENTER lisätäksesi merkityt raidat soittolistaan.
  - o **Program View**  
Näyttää soittolistalle ohjelmoidut raidat. Valitse listan ensimmäinen raita ja paina PLAY/PAUSE aloittaaksesi toiston.
  - o **Add To Program**  
Lisää "Edit Modessa" merkityt raidat soittolistalle.
  - o **Browser View**  
Näyttää tiedostolistan.
  - o **Clear Program**  
Tyhjentää soittolistan.

## 7. Järjestelmän asetukset

Paina kaukosäätimen SETUP-painiketta avataksesi valikon. Käytä nuolipainikkeita liikkuaksesi valikoissa. Hyväksy valinta painamalla ENTER.

Kun haluat lopettaa ja poistua valikosta, paina uudestaan SETUP.

### 7.1 LANGUAGE (Kieli)

Language	OSD Language: English
Video	Subtitle : English
Audio	Audio : English
Rating	DVD Menu : English
Misc	

Valitse kieli valikoille, tekstityksille ja ääniraidoille.

- **OSD-language** (valikoiden kielet)
- **Subtitle** (tekstitysten kielet)
- **Audio** (haluttu ääniraita dvd-levyä toistettaessa)
- **DVD Menu** (dvd-levyn valikon kieli)

### 7.2 Video

Language	Aspect Ratio : 4:3
Video	View Mode : Auto Fit
Audio	TV System : PAL
Rating	Video Out : Component
Misc	

Valitse kuvasuhde.

- **Aspect Ratio** (kuvasuhde, kuvan mittasuhteet)  
Valitse joko 4:3 tai 16:9 televisiostasi riippuen.
- **View Mode** (kuinka kuva näytetään televisioruudulla)
- **TV System** (valitse kuvastandardi AUTO, NTSC tai PAL)
- **Video Out** (valitse kuvan ulostulosignaali, S-VIDEO, COMPONENT, RGB tai P-SCAN)
  - **S-VIDEO:** Valitse videoulostuloksi interlace.
  - **COMPONENT:** Valitse videoulostuloksi YUV.
  - **P-SCAN:** Jos televisiosi on progressiivinen, valitse tämä asetus, sillä se saattaa parantaa kuvanlaatua.
  - **RGB:** Valitse videoulostuloksi SCART. Jos valitset SCART-liitännän, vaihda toistotilaksi RGB.

## 7.3 Audio

Language	Digital Output : PCM Night Mode : Off Down Sampling : Off
Video	
Audio	
Rating	
Misc	

Ääniominaisuuksien muuttaminen.

- **Digital output (digitaalinen ulostulo)**

Jos valitset digitaalisen ulostulon, voit säätää S/PDIF-porttien äänen ulostuloa niin että ne toimivat sopu-  
soinnussa dvd-soittimeen liitettyjen äänilaitteiden (esim. vastaanotin, kaiutin) kanssa.

- o **Off:** Digitaalinen äänen ulostulo on pois päältä.
- o **PCM:** Valitse tämä tila, kun käytät stereosignaalia (2 kanavaa). Yhdistä tämä vaihtoehto "lower  
sampling raten" kanssa.
- o **All:** Tämä tila käyttää dvd-levyn alkuperäistä ääntä. Valitse tämä tila, kun haluat käyttää Dolby Digital  
AC3-signaaleja optisen tai koaksiaalisen ääniliitännän kautta.

- **Night Mode**

Voit säätää äänenvoimakkuutta valitsemalla **ON**, kun katsot levyä päivällä suuremmalla  
äänenvoimakkuudella tai valitsemalla **OFF**, jos et halua häiritä ympärillä olijoita.

- **Down Sampling**

Valitse ON, jos olet valinnut digitaaliseksi ulostuloksi PCM:n.

- o **ON:** "Lower sampling rate" päällä.
- o **OFF:** "Lower sampling rate" pois päältä.

## 7.4 Lapsilukko

Language	Parental Control : 8. Adult <input type="button" value="Set Password"/>
Video	
Audio	
Rating	
Misc	

Aseta rajoituksia lapsille, jotta he eivät pääse katsomaan sopimattomia elokuvia.

### *Muuta rajoituksia*

- Valitse haluamasi suojauksen taso merkitsemällä Parental Control ja painamalla ENTER. Toiminto vaatii salasanan. Esiasetettu salasana on "8888". Paina oikealle ja valitse painamalla ylös/alas. Valitse painamalla ENTER.
- **Huom.!** Vain osa dvd-filmeistä tukee sisällönsuojausta.

### *Aseta henkilökohtainen salasana*

1. Valitse **Set Password** ja paina ENTER.
2. Syötä esiasetettu salasana "8888" ja vahvista se painamalla ENTER.
3. Paina uudestaan ENTER.
4. Syötä haluamasi salasana ja vahvista se painamalla ENTER.

**Huom.** Jos unohdat henkilökohtaisen salasanasasi voit aina käyttää esiasetettua salasanaa "8888" poistaaksesi suojauksen.

## 7.5 MISC (tehdasasetusten palautus)

Language	<input type="button" value="Use Default Settings"/>
Video	
Audio	
Rating	
Misc	

1. Siirry kohtaan **Misc**.
2. Avaa alavalikko painamalla ►. Valitse **Use Default Settings**.
3. Paina ENTER, ja valitse sitten **Yes** ikkunassa "Do you want to use the default setting?".
4. Paina ENTER.
5. Dvd-soitin käynnistyy uudestaan alkuperäisillä asetuksilla.



## 8. Vianhakutaulukko

Ongelma	Mahdollinen syy
Ei kuvaa/ääntä.	<ol style="list-style-type: none"> <li>1. Onko kaikki yksiköt liitetty verkkovirtaan?</li> <li>2. Ovatko kaikki yksiköt päällä?</li> <li>3. Onko kuva ja ääni television valikossa kytketty pois päältä?</li> <li>4. Onko televisio kytketty dvd-soittimeen oikein?</li> </ol>
Toisto ei käynnisty.	<ol style="list-style-type: none"> <li>1. Onko levy asetettu oikein?</li> <li>2. Onko levy likainen tai onko siinä sormenjälkiä?</li> <li>3. Levyssä on väärä aluekoodi.</li> <li>4. Levyn formaatti on väärä.</li> <li>5. Muuta sisällönsuojauksen asetuksia.</li> <li>6. Sulje soitin, irrota pistoke hetkeksi ja aseta se takaisin. Käynnistä laite.</li> <li>7. Kosteutta lukupäässä. Anna soittimen olla käyttämättä muutaman tunnin ajan.</li> </ol>
Ei kuvaa.	<ol style="list-style-type: none"> <li>1. Onko televisio päällä?</li> <li>2. Tarkista liitännät.</li> <li>3. Paina V-MODE ja vaihda ulostulosignaalia.</li> </ol>
Kuva värähtelee tai on rakeinen.	<ol style="list-style-type: none"> <li>1. Älä liitä dvd-soitinta muiden laitteiden kautta, vaan liitä se suoraan televisioon. Häiriöt saattavat johtua dvd-soittimen sisäisestä kopiointisuojauksesta (tulee olla kaikissa dvd-soittimissa)</li> <li>2. Käytä RF-adapteria, jos televisiossa ei ole videoliitäntää.</li> <li>3. Tarkista dvd-soittimen ja television väriasetukset.</li> <li>4. Levy on heikkolaatuinen tai naarmuinen.</li> </ol>
Kuva on musta- valkoinen tai se rullaa.	<ul style="list-style-type: none"> <li>• Varmista, että valittuna on oikea tv-järjestelmä (PAL tai NTSC). Valitse tila kaukosäätimen N/P-painikkeella.</li> </ul>
Kuva on näyttöä pienempi.	<ol style="list-style-type: none"> <li>1. Muuta näytön kuvasuhdetta: (SETUP MENU &gt; VIDEO &gt; ASPECT RATIO).</li> <li>2. Valitse kuvasuhde dvd-levyn valikosta.</li> </ol>
Askeltaminen eteen- tai taaksepäin ei onnistu.	<ol style="list-style-type: none"> <li>1. Tietyt levyt on ohjelmoitu niin, ettei niissä voi siirtyä eteen- tai taaksepäin.</li> <li>2. Levyllä on vain yksi raita.</li> </ol>
Ei ääntä tai äänenlaatu on huono.	<ol style="list-style-type: none"> <li>1. Varmista, että televisio ja vahvistin ovat päällä ja oikein asennetut.</li> <li>2. Varmista, että televisio ja vahvistin on liitetty oikein ja että liittimet ovat kunnolla kiinni.</li> <li>3. Valitse toinen ääniraita painamalla LANGUAGE-painiketta.</li> <li>4. Varmista, ettei "Mute"-toiminto ole aktivoituna dvd:ssä, televisiossa tai vahvistimessa.</li> <li>5. Takaisinkelauksen, tauon, askelluksen, hitaan toiston ja eteenpäinkelauksen aikana ei kuulu ääntä.</li> </ol>

Mp3-levystä ei kuulu ääntä, tai siitä kuuluu häiriöääniä.	<ol style="list-style-type: none"> <li>1. Mikäli mp3-levyllä on mp3-tiedostoja ja ohjelmatiedostoja sekaisin, ohjelmatiedostot eivät kuulu oikein.</li> <li>2. Varmista, että levyllä on pelkästään mp3-tiedostoja.</li> <li>3. Kokeile seuraavaa mp3-raitaa.</li> </ol>
Kaukosäädin ei toimi.	<ol style="list-style-type: none"> <li>1. Paristojen varaustaso on alhainen tai paristot on asetettu väärin.</li> <li>2. Kaukosäädin on liian kaukana dvd-soittimesta tai yksiköiden välillä on esteitä.</li> <li>3. Dvd-soitin on valmiustilassa.</li> </ol>
Ei Dolby digital- tai DTS-ääntä digitaalisten ääniliitännöiden kautta.	<ol style="list-style-type: none"> <li>1. Varmista, että vahvistin tukee Dolby Digital- tai DTS-ääntä.</li> <li>2. Tarkista, että dvd-soittimen digitaalisen ääniulostulon ja vahvistimen digitaalisen sisäänmenon välillä on koaksiaaliäänikaapeli.</li> <li>3. Varmista, että levyssä on Dolby Digital- tai DTS-tuki, ja että se on valittuna levyn valikosta.</li> </ol>

## 9. Kierrätys

Kierrätä tuote asianmukaisesti, kun poistat sen käytöstä.  
Kysy tarkempia kierrätysohjeita kuntasi jäteneuvonnasta.

## 10. Tekniset tiedot

Yhteensopiva seuraavien standardien kanssa	Dvd SVCD VCD Cd Mp3 Kodak Picture cd Photo cd MPEG4
Signaaliiliitäntä	Värijärjestelmä: PAL/AUTO/NTSC Äänijärjestelmä: Stereo R/L, koaksiaali/digitaaliiliitäntä Videoliitäntä: 1 Vpp (75 ohmia)
Taajuusalue	20 Hz–20 KHz
Taajuusvaste	≥ 90 dB
Liitännät	SCART, S-video, komponenttideo, koaksiaalinen digitaalinen ja analoginen ääniliitäntä
Virtalähde	230 V AC, 50 Hz, 25 W
Mitat	255 x 38 x 190 mm

**Huom.!** Kahden POWER-painikkeen painamisen välillä tulee olla vähintään 30 sekunnin tauko.



## SVERIGE

---

KUNDTJÄNST            Tel: 0247/445 00  
                             Fax: 0247/445 09  
                             E-post: kundtjanst@clasohlson.se

INTERNET                www.clasohlson.se

BREV                      Clas Ohlson AB, 793 85 INSJÖN

## NORGE

---

KUNDESENTER          Tlf.: 23 21 40 00  
                             Faks: 23 21 40 80  
                             E-post: kundesenter@clasohlson.no

INTERNETT                www.clasohlson.no

POST                      Clas Ohlson AS, Postboks 485 Sentrum, 0105 OSLO

## SUOMI

---

ASIAKASPALVELU      Puh: 020 111 2222  
                             Faksi: 020 111 2221  
                             Sähköposti: info@clasohlson.fi

INTERNET                www.clasohlson.fi

OSOITE                    Clas Ohlson Oy, Yrjönkatu 23 A, 00100 HELSINKI

## GREAT BRITAIN

---

For consumer contact, please visit  
[www.clasohlson.co.uk](http://www.clasohlson.co.uk) and click on  
customer service.

INTERNET                [www.clasohlson.co.uk](http://www.clasohlson.co.uk)

**CLAS OHLSON**