

Portable DVD Player

Portabel dvd-spelare

Portabel dvd-spiller

Kannettava dvd-soitin

English

Svenska

Norsk

Suomi

Art.no.

18-8118

38-3474

Model

DPX3270V SSD70S-UK

DPX3270V SSD70S

Ver. 200910

clas ohlson

Portable DVD Player

Art.no. 18-8118 Model DPX3270V SSD70S-UK
38-3474 DPX3270V SSD70S

Please read the entire instruction manual before use and save it for future reference. We reserve the right for any errors in text or images and for making any necessary technical changes to this document. If you should have any questions concerning technical problems please contact our Customer Services.

Contents

Safety	4
Contents of pack	4
Buttons and functions	5
Getting started	8
Operation	11
Settings	14
Care and maintenance	16
Troubleshooting guide	17
Disposal	17
Specifications	17

Safety

- The product should only be repaired by qualified service technicians.
- The product should not be taken apart or modified.
- The product is designed for indoor use only.
- Never expose the device to high temperatures, blows, dampness or moisture.
- Do not place the product where there is a risk of it falling into water or other types of liquid. Do not place any objects which contain liquid on the product, e.g. flower vases or soft drinks.
- Do not place the device in damp, dusty environments or where there are heavy vibrations.
- Shut off the standby function and pull out the plug at night, or if you plan to be away for an extended period.
- Never expose the battery to high temperatures.
- Prolonged exposure to high volume can damage your hearing.
- Place the device on a flat surface during use.



CLASS 1 LASER PRODUCT

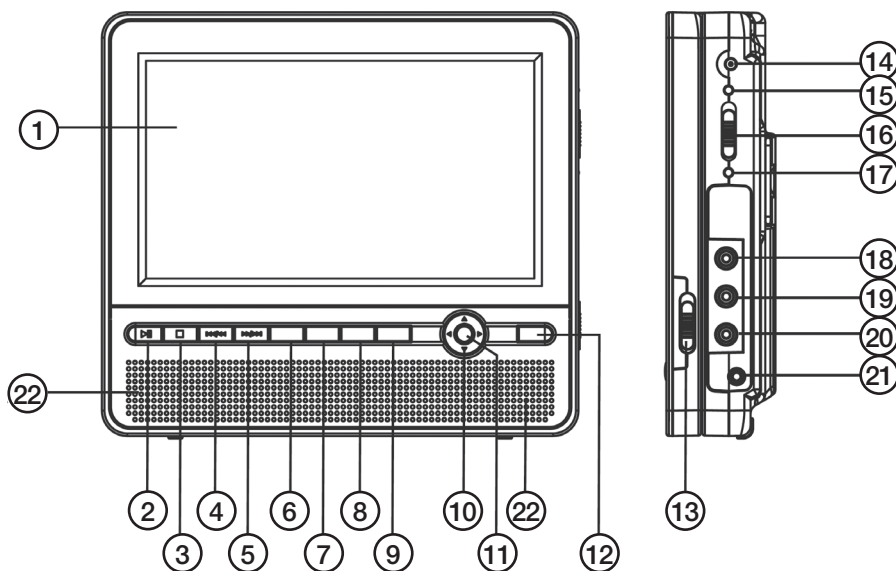
Caution: Do not open the casing! Invisible laser beams can cause eye damage. Do not look directly into the laser beam or look directly at it using an optical instrument.

Contents of pack

- DVD player with TFT screen
- Twin screen
- Remote control
- 2 pairs of earphones
- 1x AC/DC adaptor
- 1x cable for connecting to cigarette lighter socket.
- 2x straps for mounting onto headrest
- 1x carry case
- 1x AV cable
- Power lead for connecting the main unit and the twin screen

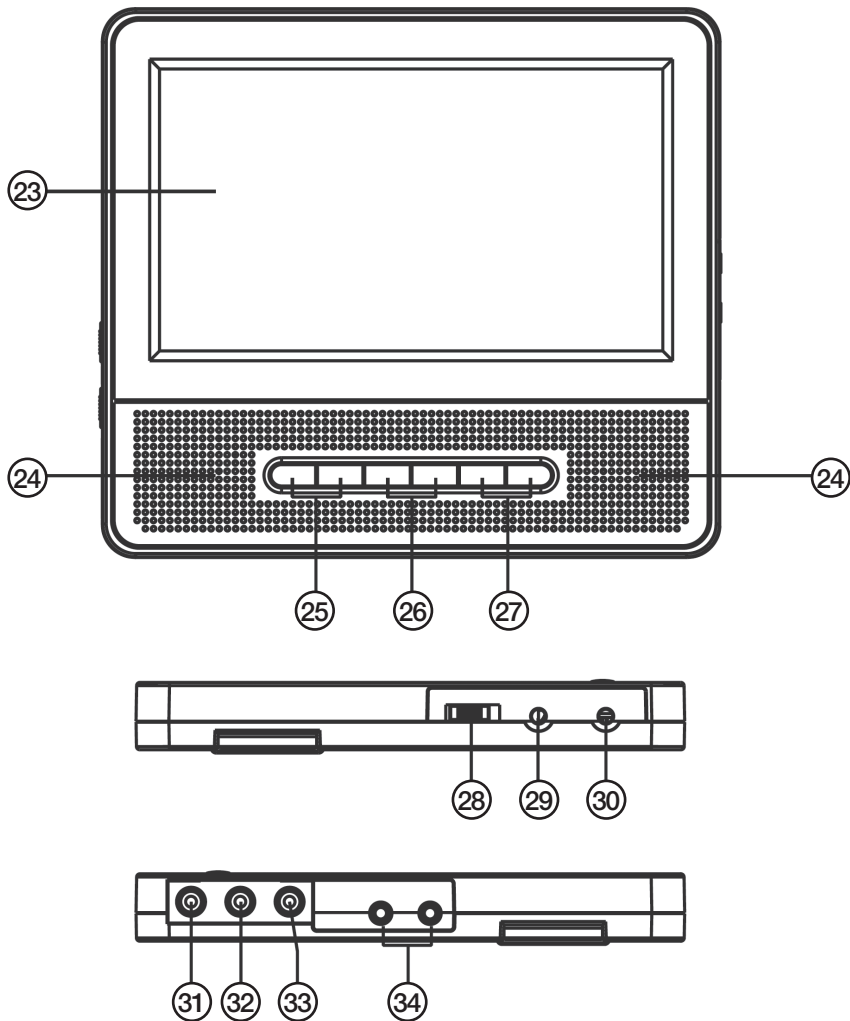
Buttons and functions

DVD player



1. TFT display
2. PLAY/PAUSE – Starts or pauses playback
3. STOP – Stops playback
4. Previous chapter/rewind
5. Next chapter/fast forward
6. VOL- – Volume control – decreases the volume
7. VOL+ – Volume control – increases the volume
8. SETUP – Settings
9. SUBTITLE – Subtitle control
10. Direction buttons
11. OK – Confirms settings
12. Remote control sensor
13. DISPLAY ON/OFF – Screen power button
14. DC IN 9-12 V – Input for external power supply/charger
15. Charging indicator lamp
16. POWER ON/OFF – Power switch, completely turns off the device
17. Power Indicator light
18. AUDIO – Right TV audio output
19. AUDIO – Left TV audio output
20. VIDEO – TV video output
21. PHONES – 3.5 mm stereo headphone connection
22. Speakers

Twin screen



23. TFT screen

24. Speakers

25. BRIGHTNESS – Adjusts the brightness of the display

26. COLOR – Adjusts the colour of the display

27. Volume controls – increases/ decreases the volume

28. POWER ON/OFF – Power switch, completely turns off the device

29. DC IN 9-12 V – Input for external power supply/charger

30. DC OUT 9-12 V – Output for powering the main unit

31. VIDEO – TV video input

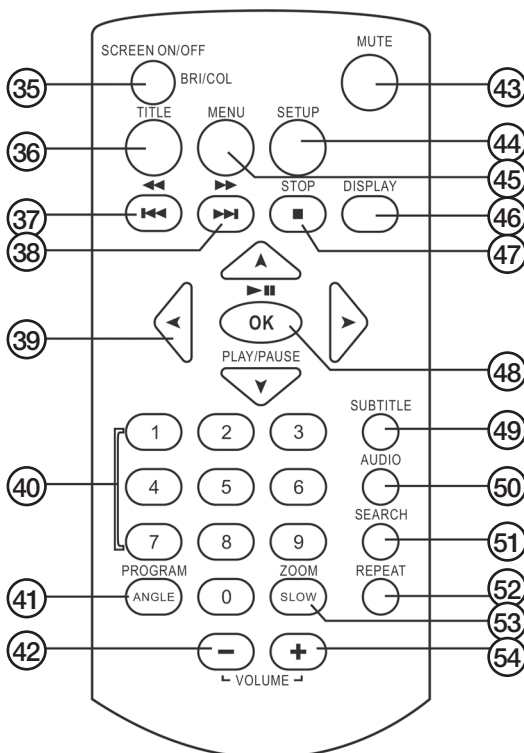
32. AUDIO – Left TV audio stereo input

33. AUDIO – Right TV audio stereo input

34. PHONES – 3.5 mm stereo headphone connection

Remote control

35. SCREEN ON/OFF – Turns the display screen on/off
- BRI/COL – Brightness/colour
36. TITLE – Press during DVD playback to go to the DVD's title menu.
37. ◀◀ – Skip to previous chapter
◀◀ – Rewind
38. ▶▶ – Skip to next chapter
▶▶ – Fast forward
39. Direction buttons
40. Numerical buttons
41. PROGRAM
- ANGLE – Changes the picture angle (if supported by the DVD)
42. VOL- – Volume control – decreases the volume
43. MUTE – Turns off the sound
44. SETUP – View detailed settings and make changes
45. MENU – Press during DVD playback to go to the DVD's main menu.
46. DISPLAY – Displays disc information
47. ■ STOP – Stops playback
48. OK – Confirm selection
▶|| – Play/Pause
49. SUBTITLE – Selects subtitle language
50. AUDIO – Selects audio track. Pressing during CD playback allows the selection of Mono left, Mono right, mix-Mono or stereo settings or press this button to change the audio language during DVD playback (if supported by the DVD).
51. SEARCH – Press during playback to find/select what is to be played.
52. REPEAT – Press during playback to choose the starting point and finishing point of a section of the film that you wish to be repeated. Press to repeat a programmed section, the entire film or the entire DVD.
53. SLOW – Plays the film in slow-motion
ZOOM – Increases picture size
54. VOL+ – Volume control – increases the volume



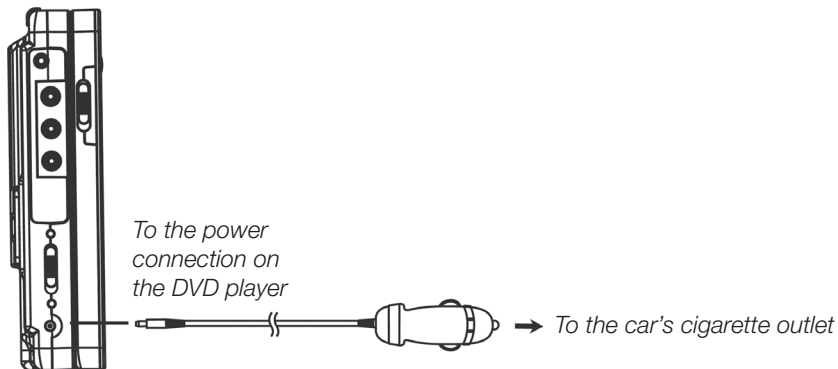
Getting started

Power supply

In-car power supply

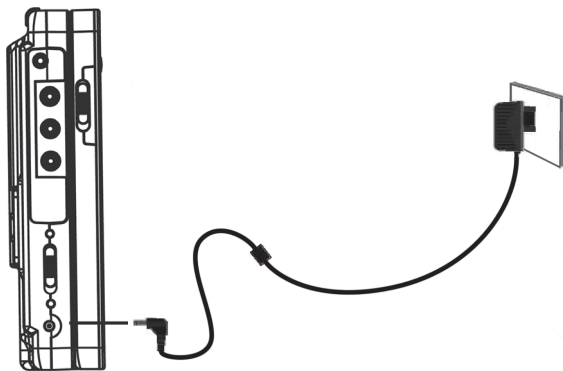
Connect the car adaptor to the DVD's power connection (14) and then to a 12 V (cigarette) outlet.

N.B. Only use the supplied car adaptor.



Connecting to the mains

Connect the included adaptor to the DVD's power connection (14) and then to an available power point.



N.B. Always unplug the car/power adaptor when the DVD player is not being used.

Using the built-in battery

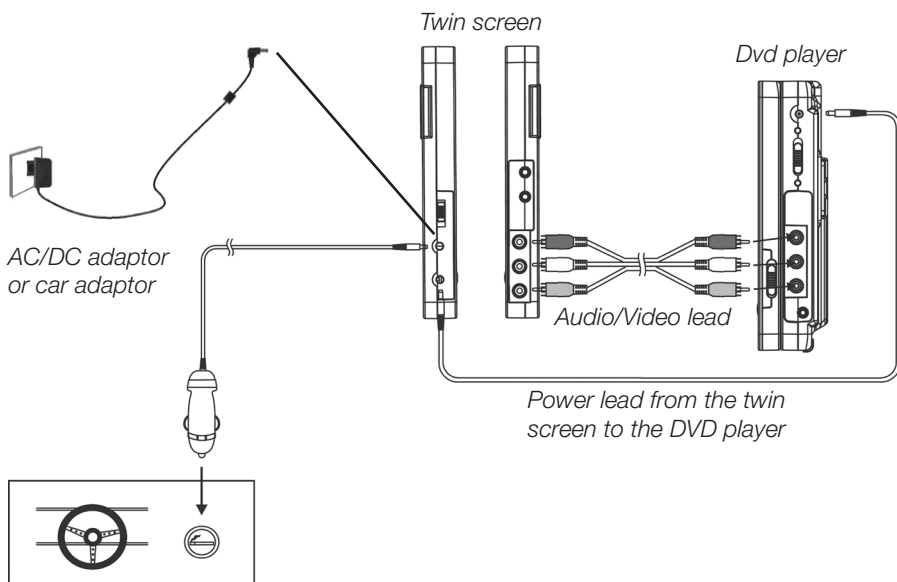
The device has a built-in rechargeable lithium polymer battery. Charge the batteries for a minimum of 4 hours before initial use.

1. Set the switch to the **OFF** position.
2. Connect the adaptor as pictured above. The red indicator lamp will flash during charging and will remain on when the battery is fully charged.
3. The battery icon will flash if the battery is weak. If the battery is completely discharged, the device will automatically shut off.

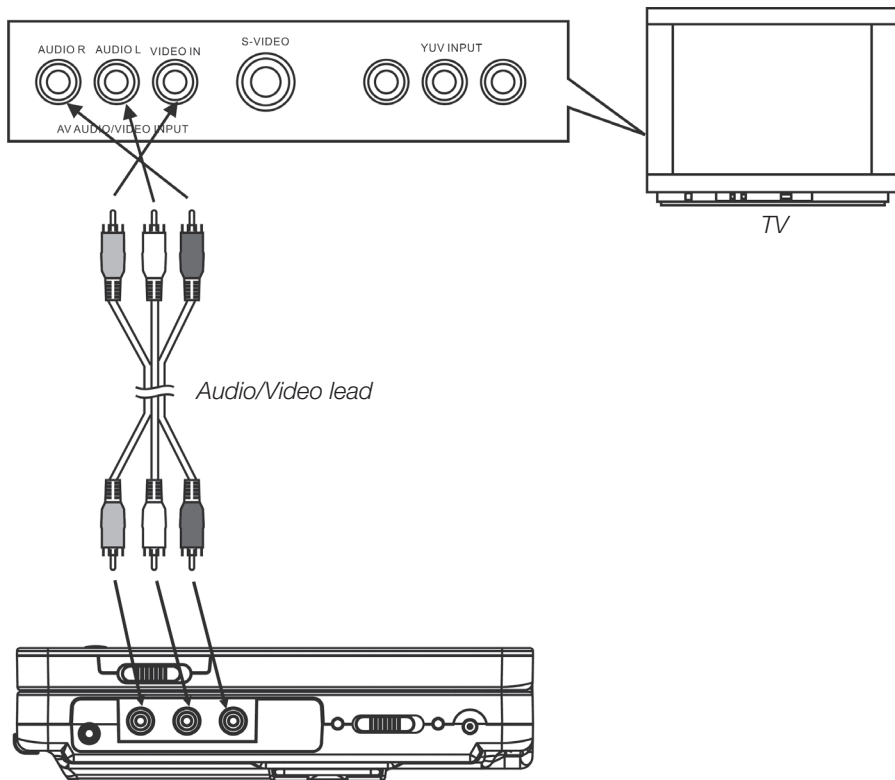
Connections

Connecting the twin screen

The DVD player can be connected to the twin (slave) screen using the included cables.



Connecting to a TV



The DVD player can be connected to an external TV using the included cables.

1. First make sure that the DVD player and TV/Home Theatre Amp. are turned off before connecting.
2. Connect the 3 RCA connectors between the player and your TV according to the diagram.
 - Red connector to "AUDIO R".
 - White connector to "AUDIO L".
 - Yellow connector to "VIDEO IN".

Operation

Starting the DVD player

Set the power switch (16) to the **ON** position to start the device.

Using the remote control

Aim the remote control at the sensor (12) on the front of the DVD player and press the relevant button for the desired function.

Playing a CD or DVD

1. Open the disc compartment.
2. Place in a CD/DVD with the label facing up and close the disc compartment.
Playback will start automatically.

Adjusting the volume

Press [VOL+] or [VOL-] to raise or lower the volume. Press [MUTE] to turn off the sound completely.

Returning to the main menu and choosing a title

During playback, press [MENU] to come to the main menu. Then press [OK] to play the chosen title.

Next/previous track/chapter

Use the |◀◀ or ▶▶| buttons in order to go to the next or previous track/chapter.

Fast forward/rewind

- Press and hold ◀◀ or ▶▶ to quickly search backwards or forwards within a chapter. The actual playback speed is shown on the display.
- Keep the button pressed in for a little longer to change the fast forward/rewind speed. You can choose between 2, 4, 8, 16 or 32 times the playback speed.
- Pressing ▶|| [Play/Pause] reverts to normal playback.

Stopping playback

During video playback

- Press [STOP] once to stop playback. Press [PLAY] to resume playback from where you stopped.
- Press [STOP] again to completely stop playback and return to the beginning of the disc.

During audio playback

- Press [STOP] to stop playback.

Enlarging or reducing picture size

- Press [ZOOM] on the remote the desired amount of times to enlarge the image (max. 4 x zoom). The display will show the current zoom setting.
- Use the direction buttons to position the enlarged area.

Slow-motion

- Hold in [SLOW] on the remote control to play the film in slow-motion (up to 16 times slower than normal).

Setting the brightness and colour

The display's brightness and colour can be set at anytime during playback.

- Press [BRI/COL] on the remote control to set the display screen properties. Switch from light intensity (BRI) to colour (COL) by pressing [BRI/COL]. Adjust the setting value using the right and left direction buttons.

Displaying playback information

During playback, press the [DISPLAY] button repeatedly in order to view playback information. The information will be shown in the upper part of the screen.

Searching for a specific chapter

Press [SEARCH] to search for a specific chapter. You will be prompted to enter a title, chapter and time. Enter the number of the desired chapter using the numerical buttons and then press [OK] to begin playback.

Programmed playback

1. Press [PROGRAM] to enter the programming mode.
2. Programme the titles and chapters using the numerical buttons. Navigate through the programming box using the direction buttons. **N.B.** If you wish to programme chapter 2 for example, enter "02".
3. To start playing the programmed section, go to "Start" in the programming menu and press [OK].
4. To change your programme, use the direction buttons and highlight the entry you wish to change. Enter the new title and chapter using the numerical buttons. **N.B.** The programme can't be changed once playback has begun.
5. To delete the programme list during playback, press the [PROGRAM] button. "Stop" will now be highlighted in the programming menu. Press [OK] to delete all entries on the programme list. "Exit" will now be highlighted. Press [OK] to exit the programming menu.

Audio track (DVD)

Works only with discs with more than one track.

- Press [AUDIO] once or repeatedly to change tracks. The current language selection will be displayed. The current audio settings will also be displayed.

Picture angle (DVD)

Only works with certain DVD's.

During playback, press and hold [ANGLE] to display and select from available picture angles.

Subtitles (DVD)

Only works with certain DVD's.

During playback, repeatedly press [SUBTITLE] in order to select the subtitle language. The current language selection will be displayed.

MP3/MPEG4

1. Insert a CD/DVD containing MP3 or MPEG files.
2. After a moment the display will show the folders on the disk.
3. Use the navigation buttons to select the folder or file that you wish to play. Press [OK] to confirm and start playback. Playback of the first file in the folder starts automatically.
4. Use |◀◀ or ▶▶| to go to the next or previous track.

Slideshow

1. Insert a CD or DVD with image files in JPEG format. After a moment the display will show the folders on the disk.
2. Use the navigation buttons to select the folder or image file to be shown. Press [OK] to confirm.
3. Use |◀◀ or ▶▶| to go to the next or previous picture.
 - During playback, press the navigation buttons to rotate or flip the images.
 - Press [ZOOM] once or repeatedly to change picture size. The display will show the current zoom setting.

Settings

You can always activate the settings menu by pressing the SETUP button on the DVD player.

- Use the direction buttons to move between menus and press [OK] to confirm your selections and settings.
- The current menu icon will be coloured yellow.
- When you are in a menu, press the left direction button
- Press [SETUP] again to finish and exit the menus.

Key to the menus

Screen settings

Description	Description	Factory presets
TV screen	Sets the TV mode. Choose from Normal/PS, Normal/LB and Wide. Set to the same as your TV.	Wide
LCD screen	Sets the desired aspect ratio 4:3 for traditional screens; 16:9 for widescreens.	16:9
Picture angle icon	Choose whether or not to have the picture angle icon visible on-screen when playing a DVD with this function.	On
OSD language	Sets the menu language for the DVD player. Choose from English, Swedish and Finnish.	English
Screensaver	Turns screensaver on/off.	On

Sound settings

Description	Description	Factory presets
Audio	Sets the type of audio. LT/RT = Mixes down from stereo to mono. STEREO = Mixes down from 5.1 stereo to stereo.	Stereo

Video settings

Description	Description	Factory presets
Video settings	Sets the image quality, e.g. colour, brightness and contrast. Adjust settings using the direction buttons and confirm using [OK].	Medium

General settings

Description	Description	Factory presets
TV system	Sets the TV system's outgoing signal from the DVD player. Selects between NTSC (USA), PAL (Europe) or AUTO (automatic).	PAL
Audio track	Sets desired language for the DVD (if available).	English
Subtitles	Sets the subtitle language for the DVD (if available).	English
Disc menu	Sets desired language for menus on the DVD (if available).	English
Child lock	Sets access restrictions for children and prevents any inappropriate material from being shown. Sets appropriate access level (1-8).	8 = adult
Reset	Restores the DVD player to factory default settings. N.B. The child lock password and level are NOT reset.	

Password

Description	Description	Factory presets
Password	Sets whether or not a password is required.	On
Change password	Change password. 1. Enter the current password using the remote control. 2. Enter the new password. 3. Enter the new password again. You can always use pasword 1389 if you have forgotten yours.	

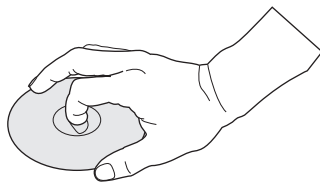
Care and maintenance

Cleaning

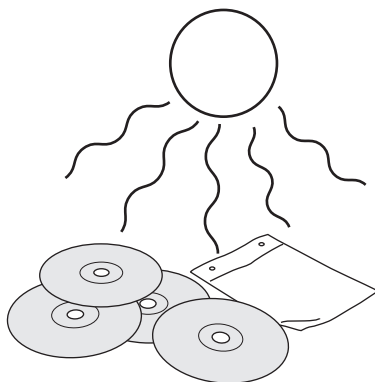
- Always unplug the adaptor from the wall socket before cleaning.
- Make sure that no liquids penetrate the player.
- Use only a damp cloth when cleaning the exterior.
- Never use solvents or strong detergents.

Disc care

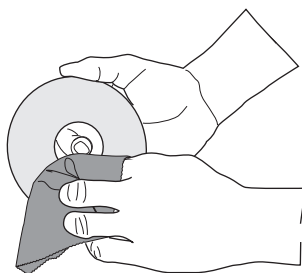
- Hold the disk by the hole and edge when handling in order to avoid fingerprints and dirt from contaminating the disk.



- Do not bend the disc or expose it to direct sunlight or heat.



- Clean the disks with a soft dry cleaning cloth starting from the centre and working outwards. Never use solvents or strong detergents.
- Store the discs in their cases.



Troubleshooting

Problem	Suggested remedy
The product does not turn on or turns off abruptly.	<ul style="list-style-type: none"> - Make sure the battery is fully charged. - Check that the adaptor is connected correctly. - Start the device by turning it on and off with the switch.
The product does not react to the remote's commands.	<ul style="list-style-type: none"> - Make sure the remote's batteries are correctly inserted. - Insert new batteries. - Make sure the remote is aimed at the sensor on the front of the player. - Make sure that no objects are blocking signals from the remote.
No picture or sound.	<ul style="list-style-type: none"> - Make sure that all sound and video leads are correctly connected. - Make sure that the disk being used is of the type; DVD, DVD-R, DVD-RW, or CD. - Make sure that the disk is whole, scratch-free and correctly in place with the label facing upwards. - Make sure the player's laser pickup is not dirty. Contact Customer Services if this is the case. - Make sure that any connected TV is correctly set to the correct channel (VIDEO, AV, etc.).
No sound	<ul style="list-style-type: none"> - Make sure that the cover is open. When the panel is closed, sound can only be activated via the audio or headphone outlet. - Check that the sound is not turned off.
Bad picture or sound quality	<ul style="list-style-type: none"> - Check the disc. Use a clean and scratch free disc.

Disposal

Follow local ordinances when disposing of this product. If you are unsure of how to dispose of this product, please contact your municipality.

Specifications

External power source	9 V DC, 2,000 mA (mains and car adaptor included)
Power	13 W
Screen size	7"
Resolution	480 x 234 pixels
DVD player battery	1800 mAh, lithium polymer
Remote control batteries	2 x AAA/LR03 (not included)
Operating time	Approx. 2 hours from the rechargeable battery

Portabel dvd-spelare

Art.nr 18-8118 Modell DPX3270V SSD70S-UK
38-3474 DPX3270V SSD70S

Läs igenom hela bruksanvisningen före användning och spara den sedan för framtida bruk. Vi reserverar oss för ev. text- och bildfel samt ändringar av tekniska data. Vid tekniska problem eller andra frågor, kontakta vår kundtjänst (se adressuppgifter på baksidan).

Innehållsförteckning

Säkerhet.....	19
Förpackningsinnehåll	19
Knappar och funktioner	20
Komma igång	23
Användning.....	26
Inställningar	29
Skötsel och underhåll.....	31
Felsökningsschema.....	32
Avfallshantering	32
Specifikationer.....	32

Säkerhet

- Produkten får endast repareras av kvalificerad servicepersonal.
- Produkten får inte demonteras eller ändras.
- Produkten är avsedd endast för inomhusbruk.
- Utsätt aldrig apparaten för höga temperaturer, stötar, fukt eller väta.
- Placera inte produkten så att den kan falla ner i vatten eller annan vätska. Ställ inte heller några föremål som innehåller vätska på produkten, t.ex. blomvas eller dryck.
- Placera inte apparaten i en fuktig, dammig miljö eller där det förekommer starka vibrationer.
- Stäng av eventuell standby-funktion och dra ur nätadaptern från vägguttaget om natten eller när du reser bort.
- Utsätt aldrig batteriet för höga temperaturer.
- Långvarig exponering av hög ljudvolym från hörlurar kan orsaka skador på din hörsel.
- Placera enheten på en horisontell yta under användning.



KLASS 1 LASERAPPARAT

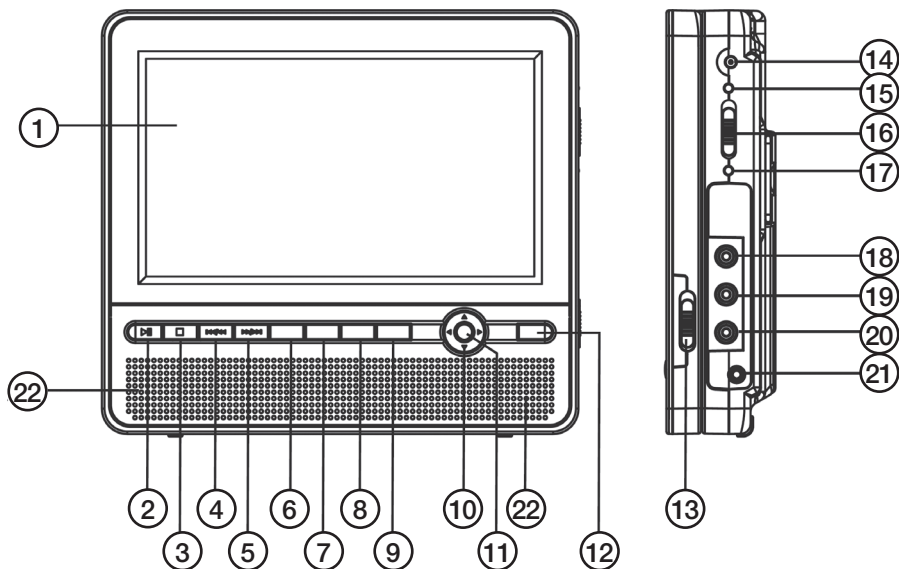
Varning! Öppna inte höljet! Osynlig laserstrålning som kan orsaka ögonskador. Rikta inte blicken in mot strålen och titta inte direkt på den genom optiska instrument.

Förpackningsinnehåll

- Dvd-spelare med TFT-skärm
- Tvillingskärm
- Fjärrkontroll
- 2 st. hörlurar
- 1 st. batterieliminatör
- 1 st. kabel för anslutning till cigarettändaruttag
- 2 st. remmar för montering på nackstöd
- 1 st. bärväska
- 1 st. AV-kabel
- 1 st. strömkabel mellan skärmarna

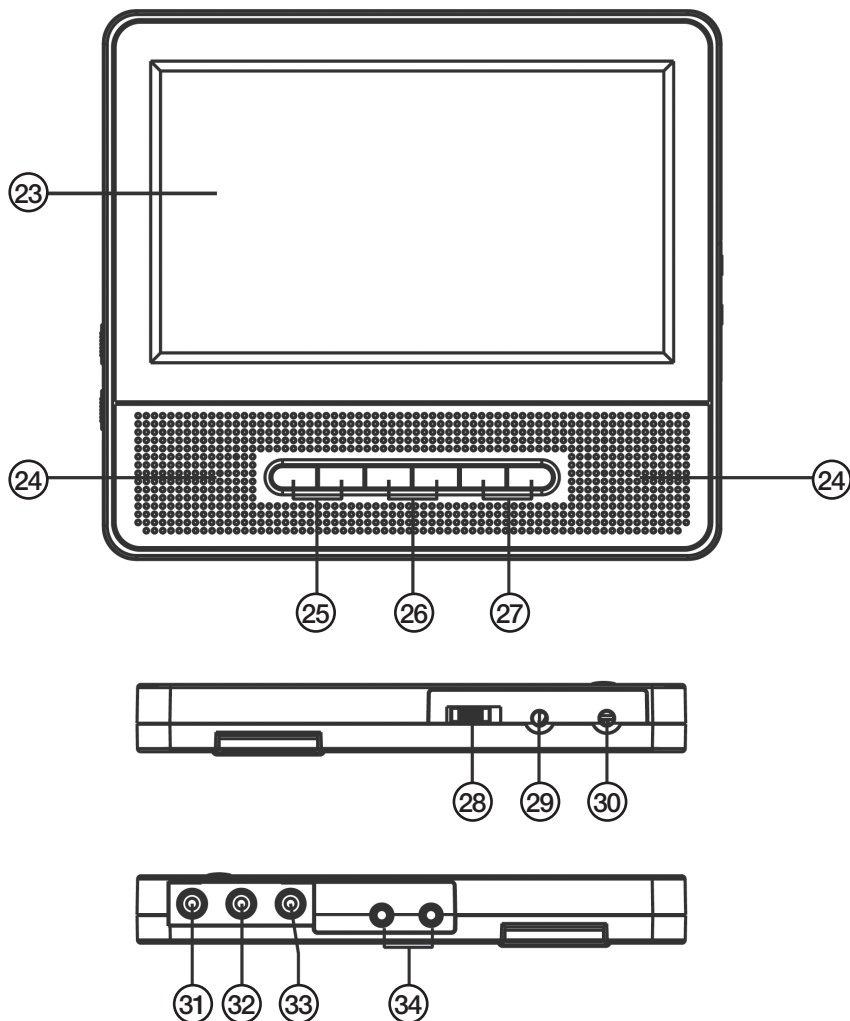
Knappar och funktioner

Dvd-spelare



1. Tft-skärm
2. PLAY/PAUSE – Startar eller pausar uppspelningen
3. STOP – Stoppar uppspelningen
4. Föregående spår/snabbspolning bakåt
5. Nästa spår/snabbspolning framåt.
6. VOL- – Volymkontroll – sänk volymen
7. VOL+ – Volymkontroll – höj volymen
8. SETUP – Inställningar
9. SUBTITLE – Textning
10. Navigationsknappar
11. OK – Bekräftar inställningar
12. Sensor för fjärrkontroll
13. DISPLAY ON/OFF - Strömbrytare för skärmen
14. DC IN 9-12 V – Ingång för extern spänningskälla/laddare
15. Indikatorlampa för laddning
16. POWER ON/OFF – Strömbrytare, stänger av enheten helt
17. Indikatorlampa för på/av
18. AUDIO – Höger utgång för ljud till tv
19. AUDIO – Vänster utgång för ljud till tv
20. VIDEO – Utgång för bild till tv
21. PHONES – Anslutning för stereohörlurar (3,5 mm anslutning)
22. Högtalare

Tvillingskärm



23. Tft-skärm

24. Högtalare

25. BRIGHTNESS – Ställer in ljusstyrka

26. COLOR – Ställer in färg

27. Volymkontroller – höjer/
sänker volymen

28. POWER ON/OFF – Strömbrytare,
stänger av enheten helt

29. DC IN 9-12 V – Ingång för extern
spänningskälla/laddare

30. DC OUT 9-12 V – Utgång för extern
spänningskälla/laddare

31. VIDEO – Ingång för bild till tv

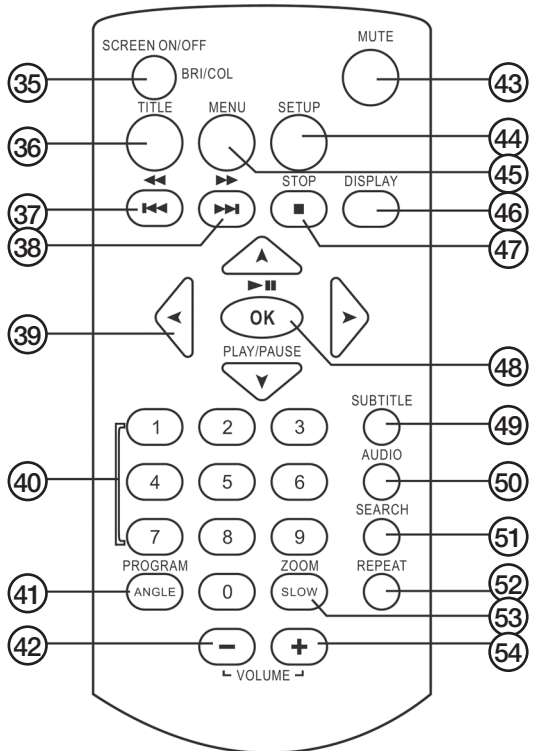
32. AUDIO – Vänster ingång för ljud till tv

33. AUDIO – Höger ingång för ljud till tv

34. PHONES – Anslutningar för
stereohörlurar (3,5 mm anslutning)

Fjärrkontroll

35. SCREEN ON/OFF - Slå på/
stäng av skärmen
BRI/COL – Justera ljusstyrka
och färg
36. TITLE - Under uppspelning av
dvd-skivan, tryck för att gå till
dvd:ns titelmeny.
37. ◀◀ – Föregående avsnitt
▶▶ – Snabbspola bakåt
38. ▶▶ | – Nästa avsnitt
▶▶ - Snabbspola framåt
39. Navigationsknappar
40. Sifferknappar
41. PROGRAM
ANGLE - Ändra bildvinkel (om
filmen stöder den funktionen)
42. VOL- – Volymkontroll –
sänk volymen
43. MUTE – Stäng av ljudet
44. SETUP – Se detaljerade
inställningar och kunna göra
ändringar.
45. MENU – Under uppspelning
av dvd-skivan, tryck för att gå
till dvd:ns huvudmeny.
46. DISPLAY - Visa skivinformation
47. ■ STOP – Stoppa
uppspelningen
48. OK – Bekräfta val
▶|| – Play/Pause
49. SUBTITLE – Välj språk på undertext
50. AUDIO – Väljer ljudspår. Vid uppspelning av musik, tryck för att växla mellan vänster, höger, mix eller stereo. Under uppspelning av dvd-skivor tryck för att välja språk (om tillgängligt på skivan).
51. SEARCH – Under uppspelning, tryck för att hitta/välja vad som ska spelas upp.
52. REPEAT – Under uppspelning, tryck för att själv välja början och slut på ett avsnitt du vill ha repeterad uppspelning på. Tryck för att repetera ett förinställt avsnitt, hela filmen eller hela DVD-skivan.
53. SLOW – Spela upp i slow-motion
ZOOM – Förstora i bilden
54. VOL+ – Volymkontroll – höj volymen



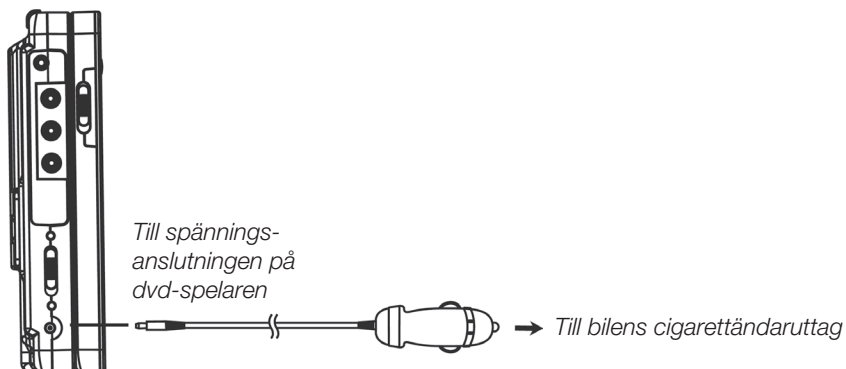
Komma igång

Strömförsörjning

Strömförsörjning i bil

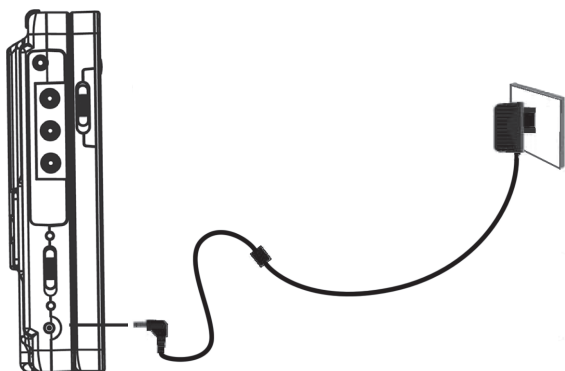
Anslut biladaptern till spänningsanslutningen (14) på dvd-spelaren och sedan till ett cigarettändaruttag med spänningen 12 Volt.

Obs! Använd endast medföljande biladapter.



Strömförsörjning inomhus

Anslut den medföljande nätadaptern till spänningsanslutningen (14) på dvd-spelaren och sedan till ett vägguttag.



Obs! Dra alltid ur bil- eller nätadaptern när dvd-spelaren inte används.

Användning av det inbyggda batteriet

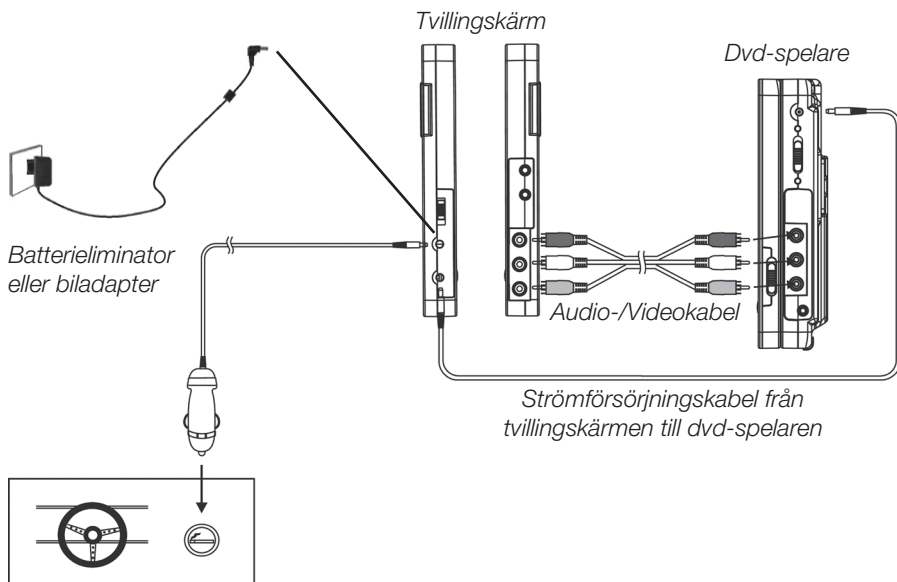
Enheten har ett inbyggt laddningsbart litiumpolymerbatteri. Ladda batteriet i minst 4 timmar före första användning.

1. Sätt strömbrytaren i läge **OFF**.
2. Anslut nätadaptern enligt ovan. Den röda indikatorlampan blinkar under laddning och lyser med fast sken när batteriet är fulladdat.
3. När batterinivån är låg blinkar en ikon på displayen. När batteriet är helt slut stänger enheten av sig själv.

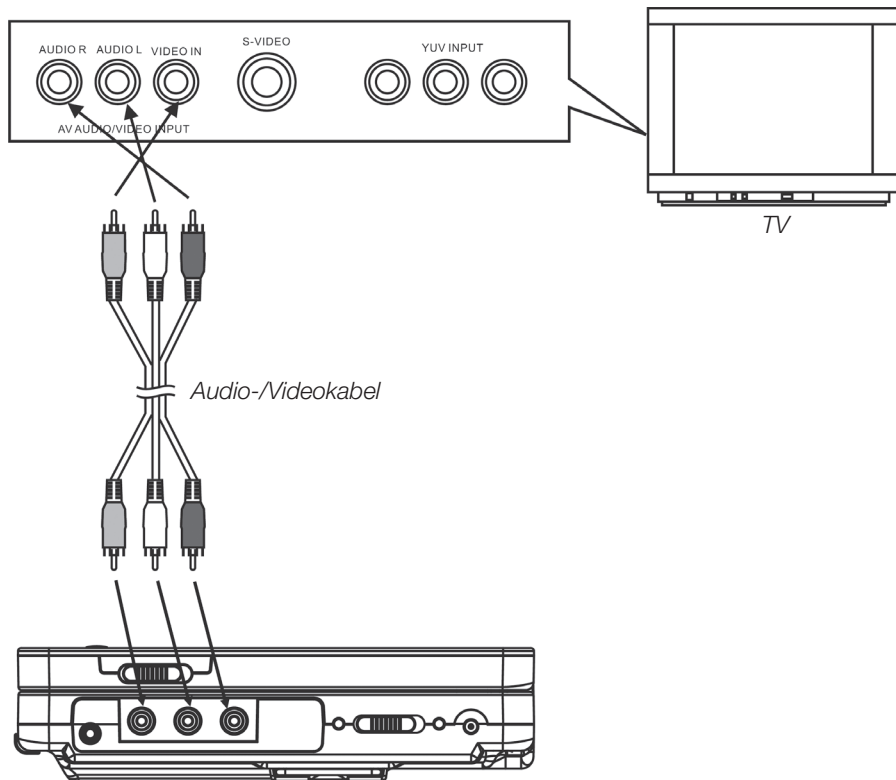
Anslutningar

Anslutning till tvillingskärm

Med det medföljande anslutningskablaget kan dvd-spelaren anslutas till tvillingskärmen.



Anslutning till extern tv



Med det medföljande anslutningskablaget kan dvd-spelaren anslutas till en extern tv.

1. Se först till att dvd-spelaren och tv:n/hemmabioförstärkaren är avstängda före inkoppling.
2. Anslut de 3 RCA-kontakterna till din tv enligt bilden.
 - Röd kontakt till "AUDIO R".
 - Vit kontakt till "AUDIO L".
 - Gul kontakt till "VIDEO IN".

Användning

Starta dvd-spelaren

Sätt strömbrytaren (16) i läge **ON** för att starta enheten.

Använda fjärrkontrollen

Rikta fjärrkontrollen mot sensorn (12) på dvd-spelarens framsida och tryck på önskad knapp för önskad funktion.

Spela upp en cd- eller dvd-skiva

1. Öppna skivluckan.
2. Lägg i en cd- eller dvd-skiva med etiketten vänd uppåt och stäng skivluckan. Uppspelningen startar nu automatiskt.

Justera volymen

Tryck på [VOL+] eller [VOL-] för att höja eller sänka volymen. Tryck på [MUTE] för att stänga av volymen helt.

Återgå till huvudmenyn och spela upp titeln

Under uppspelning, tryck på [MENU] för att komma till huvudmenyn. Tryck sedan på [OK] för att spela upp vald titel.

Nästa/föregående spår/avsnitt

Använd |◀◀ eller ▶▶| för att gå till föregående eller nästa avsnitt.

Snabbspolning

- Håll in ◀◀ eller ▶▶ för att snabbspola bakåt eller framåt i ett avsnitt. En markering i displayen visar aktuell hastighet på snabbspolningen.
- Håll in knappen ytterligare en liten stund för att ändra hastigheten på snabbspolningen. Du kan välja mellan 2, 4, 8, 16 eller 32 gånger snabbare uppspelning.
- Tryck på ▶|| [Play/Pause] för att återgå till normal uppspelning.

Stoppa uppspelningen

Vid uppspelning av film

- Tryck en gång på [STOP] för att stoppa uppspelningen. Tryck på [PLAY] för att återuppta uppspelningen där du stoppade den.
- Tryck en gång till på [STOP] för att helt stoppa uppspelningen och gå till början av skivan.

Vid uppspelning av musik

- Tryck på [STOP] för att stoppa uppspelningen.

Förstora eller förminska bilden

- Tryck en eller flera gånger på [ZOOM] på fjärrkontrollen för att förstora (upp till 4 gånger) bilden. Displayen visar aktuell förstoring.
- Använd navigationsknapparna för att flytta det förstorade området.

Slow-motion

- Håll in [SLOW] på fjärrkontrollen för att spela upp i slow-motion (upp till 16 gånger långsammare än normalt).

Ställa in ljusstyrka och färgåtergivning

Du kan när som helst under uppspelningen ställa in skärmens ljusstyrka och färgåtergivning.

- Tryck på [BRI/COL] på fjärrkontrollen för att ställa in skärmens egenskaper. Växla mellan ljusstyrka (BRI) och färg (COL) genom att trycka på [BRI/COL]. Justera sedan värdet med navigationsknapparna höger och vänster.

Visa uppspelningsinformation

Under uppspelning, tryck upprepade gånger på [DISPLAY] för att visa information om uppspelningen. Informationen visas i displayens övre del.

Sök avsnitt

Tryck på [SEARCH] för att söka önskat avsnitt. Du ombeds knappa in titel, kapitel och tidpunkt. Ange önskat avsnitt med sifferknapparna och tryck sedan på [OK] för att starta uppspelningen.

Programmerad uppspelning

1. Tryck på [PROGRAM] för att komma till programmeringsläge.
2. Programmera i tur och ordning in titlar och avsnitt med sifferknapparna. Du förflyttar dig i programmeringsrutan med navigationsknapparna.
Obs! Om du vill programmera in t.ex. avsnitt 2, ange då "02".
3. För att starta den programmerade uppspelningen, gå till "Start" på programmeringsmenyn och tryck sedan på [OK].
4. För att ändra din programmering, använd navigationsknapparna och ställ dig på den inmatning du vill ändra. Programmera in ny önskad titel och avsnitt med sifferknapparna. **Obs!** Fungerar inte om du redan har påbörjat den programmerade uppspelningen.
5. För att under uppspelning radera programmeringslistan, tryck på [PROGRAM]. I programmeringsmenyn är då "Stop" markerad. Tryck på [OK] för att radera samtliga poster. "Exit" är då markerad. Tryck på [OK] för att lämna programmeringsmenyn.

Ljudspår (dvd)

Fungerar endast med skivor innehållande flera ljudspår.

- Tryck en eller flera gånger på [AUDIO] för att ändra ljudspår. Valt språk visas i displayen. Aktuell ljudbild visas i displayen.

Bildvinkel (dvd)

Fungerar endast med vissa dvd-filmer.

Under uppspelning, tryck och håll in [ANGLE] för att visa och välja tillgängliga bildvinklar.

Undertexter (dvd)

Fungerar endast med vissa dvd-skivor.

Under uppspelning, tryck upprepade gånger på [SUBTITLE] för att välja språk för undertexter. Valt språk visas i displayen.

Mp3/Mpeg4

1. Sätt i en cd- eller dvd-skiva innehållande mp3- eller mpeg4-filer.
2. Skärmen visar efter en liten stund de mappar som finns på skivan.
3. Använd navigationsknapparna för att markera den mapp eller fil du vill spela upp. Tryck på [OK] för att bekräfta och starta uppspelningen. Uppspelningen av den första filen i mappen startar automatiskt.
4. Använd |◀◀ eller ▶▶| för att gå till nästa eller föregående spår.

Bildvisning

1. Sätt i en cd- eller dvd-skiva innehållande bilder med filformatet Jpeg. Skärmen visar efter en liten stund de mappar som finns på skivan.
2. Använd navigationsknapparna för att markera en mapp eller bildfil att visa. Tryck på [OK] för att bekräfta.
3. Använd |◀◀ eller ▶▶| för att gå till nästa eller föregående bild.
 - Under bildvisningen, tryck på navigationsknapparna för att rotera eller vända bilderna.
 - Tryck en eller flera gånger på [ZOOM] för att förstora bilden. Displayen visar aktuell förstoring.

Inställningar

Du kan när som helst aktivera inställningsmenyn genom att trycka på [SETUP] på dvd-spelaren.

- Använd navigationsknapparna för att förflytta dig i menyerna och tryck på [OK] för att bekräfta dina val och inställningar.
- Ikonen för aktuell meny har en gul markering.
- När du är inne i en meny, tryck på navigationsknapp till vänster
- Tryck igen på [SETUP] för att avsluta och gå ur menyerna.

Förklaring av menyerna

Skärminställningar

Benämning	Beskrivning	Fabriksinställning
Tv-skärm	Ställer in tv-läge. Välj mellan Normal/PS, Normal/LB och Bred. Ställ in samma som din tv-apparat är inställd på.	Bred
LCD-skärm	Ställer in önskat bildformat. 4:3 används på traditionella bildskärmar; 16:9 används på bredbildskärmar.	16:9
Bildvinkelmarkering	Ställer in om flervinkelsikonen ska visas på skärmen när du spelar en dvd som har den funktionen.	På
OSD-språk	Ställer in språket för dvd-spelarens menyer. Välj mellan engelska, svenska och finska.	Engelska
Skärmsläckare	Slår av/på skärmsläckaren.	På

Ljudinställningar

Benämning	Beskrivning	Fabriksinställning
Ljudbild	Ställer in ljudbild. LT/RT = Mixar ned från stereo till mono. STEREO = Mixar ned från 5.1-ljud till stereo.	Stereo

Bildinställningar

Benämning	Beskrivning	Fabriksinställning
Bildinställningar	Ställer in bildkvaliteten, t.ex. färg, ljusstyrka och kontrast. Ställ in värdena med navigationsknapparna och bekräfta med [OK].	Medel

Generella inställningar

Benämning	Beskrivning	Fabriksinställning
TV-system	Ställer in tv-system för utsignalen på dvd-spelarens videotgångar. Välj mellan NTSC (USA), PAL (Europa) eller AUTO.	PAL
Ljudspår	Ställer in önskat ljudspår för dvd-skivor (om tillgängligt på skivan).	Engelska
Textning	Ställer in önskat textspråk för dvd-skivor (om tillgängligt på skivan).	Engelska
Skivmeny	Ställer in önskat språk för dvd-skivornas menyer (om tillgängligt på skivan).	Engelska
Barnlås	Denna inställning ger möjlighet att ställa in önskade restriktioner åt barnen för att förhindra att olämpliga filmer visas. Välj önskad grad (1-8).	8 = adult
Återställ	Återställer dvd-spelaren till fabriksinställningarna. Observera att lösenordet och nivån för barnlåset INTE återställs.	

Lösenord

Benämning	Beskrivning	Fabriksinställning
Lösenord	Ställer in om lösenord ska användas eller inte.	På
Byt lösenord	Byt lösenord. 1. Använd sifferknapparna på fjärrkontrollen för att ange det nuvarande lösenordet. 2. Skriv in det nya lösenordet. 3. Skriv sedan in det nya lösenordet igen. Du kan alltid använda lösenordet 1389 om du har glömt ditt eget lösenord.	

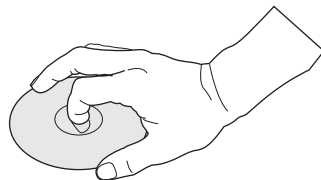
Skötsel och underhåll

Rengöring

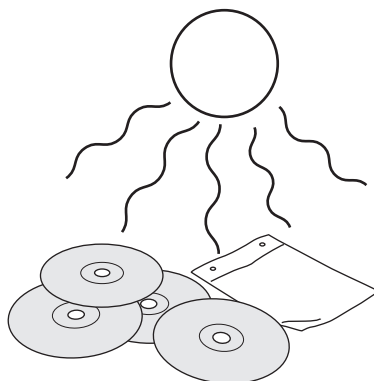
- Dra alltid ur nätadaptersns stickpropp före rengöring.
- Se till att ingen vätska kommer in i dvd-spelaren.
- Använd endast en lätt fuktad trasa vid rengöring av höljet.
- Använd aldrig lösningsmedel eller starka rengöringsmedel.

Vårda skivorna

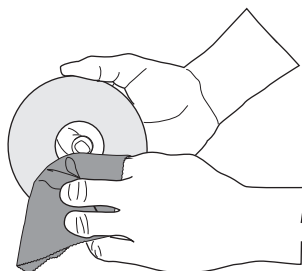
- Håll skivan i hålet och kanten när den hanteras för att undvika fingeravtryck och smuts på skivan.



- Böj inte skivan och utsätt den inte för direkt solljus eller annan värmekälla.



- Rengör endast skivorna med en torr mjuk trasa från centrum och utåt, använd aldrig rengöringsmedel eller starka lösningsmedel.
- Förvara skivorna i sina fodral.



Felsökning

Felsymptom	Förslag till åtgärd
Enheten startar ej, eller slår plötsligt av sig själv.	<ul style="list-style-type: none">- Se till att batteriet är laddat.- Kontrollera att bil- eller nätadaptorn är korrekt ansluten.- Starta om enheten genom att slå av och på strömbrytaren.
Enheten reagerar inte på fjärrkontrollens knappar.	<ul style="list-style-type: none">- Kontrollera att fjärrkontrollens batterier är korrekt isatta.- Sätt i nya batterier.- Se till att fjärrkontrollen är riktad mot sensorn på dvd-spelarens framsida.- Se till att inget föremål skymmer fjärrkontrollens signaler.
Ingen bild eller inget ljud.	<ul style="list-style-type: none">- Kontrollera att eventuella ljud- och bildkablar är korrekt anslutna.- Kontrollera att skivan som används är av typen dvd, dvd-r, dvd-rw och cd.- Se till att skivan är hel och repfri och är korrekt placerad med etiketten vänd uppåt.- Kontrollera att dvd-spelarens laserpickup inte är nedsmutsad. Kontakta kundtjänst om så är fallet.- Kontrollera att ev. ansluten tv-apparat är inställd på rätt kanal (VIDEO, AV, etc.).
Inget ljud	<ul style="list-style-type: none">- Se till att locket är öppet. När locket är stängt är ljudet endast aktiverat via någon av ljud- eller hörlursutgångarna.- Kontrollera att ljudet inte är avstängt.
Dåligt ljud/ Dålig bild	<ul style="list-style-type: none">- Kontrollera skivan. Använd en ren och repfri skiva.

Avfallshantering

När du ska göra dig av med produkten ska detta ske enligt lokala föreskrifter. Är du osäker på hur du ska gå tillväga, kontakta din kommun.

Specifikationer

Extern drivspänning	9 V DC, 2000 mA (nät- och biladapter medföljer)
Effekt	13 W
Skärmstorlek	7"
Upplösning	480 x 234 pixlar
Batterityp, dvd-spelare	1800 mAh, litiumpolymer
Batterityp, fjärrkontroll	2 x LR03/AAA (medföljer ej)
Drifttid	ca 2 timmar via det laddningsbara batteriet

Portabel dvd-spiller

Art.nr. 18-8118 Modell DPX3270V SSD70S-UK
38-3474 DPX3270V SSD70S

Les nøye igjennom hele bruksanvisningen og ta vare på den til senere bruk. Vi reserverer oss mot ev. tekst- og bildefeil, samt forandringer av tekniske data. Ved tekniske problemer eller andre spørsmål, ta kontakt med vårt kundesenter (se opplysninger på baksiden).

Innholdsfortegnelse

Sikkerhet	34
Forpakkingsinnhold	34
Knapper og funksjoner	35
Kom i gang	38
Bruk	41
Innstillinger	44
Stell og vedlikehold	46
Feilsøking	47
Avfallshåndtering	47
Spesifikasjoner	47

Sikkerhet

- Produktet må kun repareres av kyndig servicepersonell.
- Produktet må ikke demonteres eller endres på.
- Produktet er kun beregnet for innendørs bruk.
- Utsett aldri produktet for høye temperaturer, støt eller fuktighet.
- Plasser ikke produktet slik at det kan komme i kontakt med vann eller annen væske. Plasser aldri produktet i nærheten av gjenstander, som kan forårsake at vann eller annen væske skylles over produktet. Dette gjelder f.eks. blomstervase eller leskedrikk.
- Plasser ikke apparatet i et fuktig, støvete miljø eller der det forekommer sterke vibrasjoner.
- Skru av eventuell standby-funksjon om natten, og når du reiser bort.
- Utsett aldri batteriet for høye temperaturer.
- Langvarig eksponering av høy lyd fra headset/hodetelefoner, kan føre til kroniske hørselsskader.
- Ved bruk plasseres produktet på en horisontal flate.



KLASSE 1 LASERAPPARAT

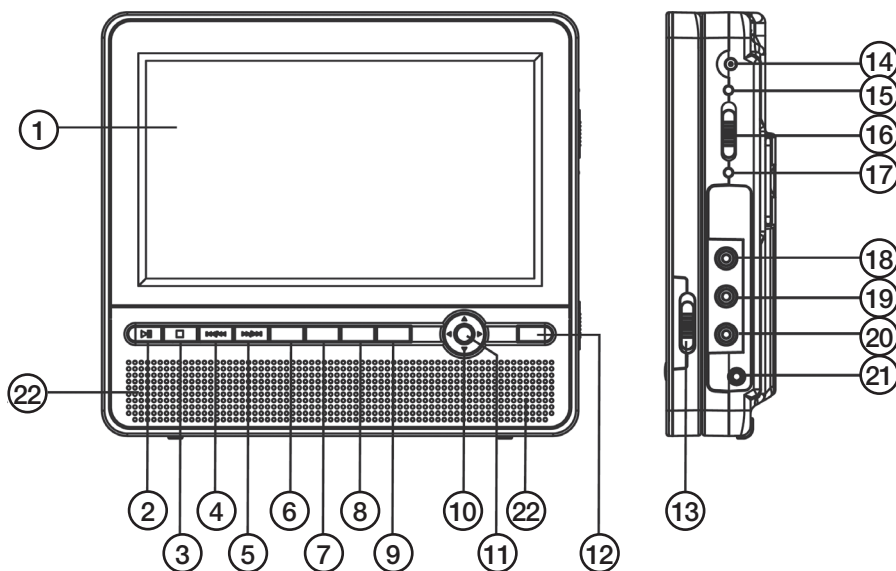
Advarsel! Dekselet må ikke åpnes. Usynlig laserstråler som kan føre til øyeskader. Rett ikke blikket mot strålen, og se ikke rett på den gjennom optiske instrumenter.

Forpakkingsinnhold

- Dvd-spiller med TFT-skjerm
- Tvillingskjerm
- Fjernkontroll
- 2 stk. hodetelefoner
- 1 stk. batterieliminatør
- 1 stk. kabel for tilkobling til sigaretteneruttak
- 2 stk. remmer for montering på nakkestøtte
- 1 stk. bæreseske
- 1 stk. AV-kabel
- 1 stk. strømkabel mellom skermen

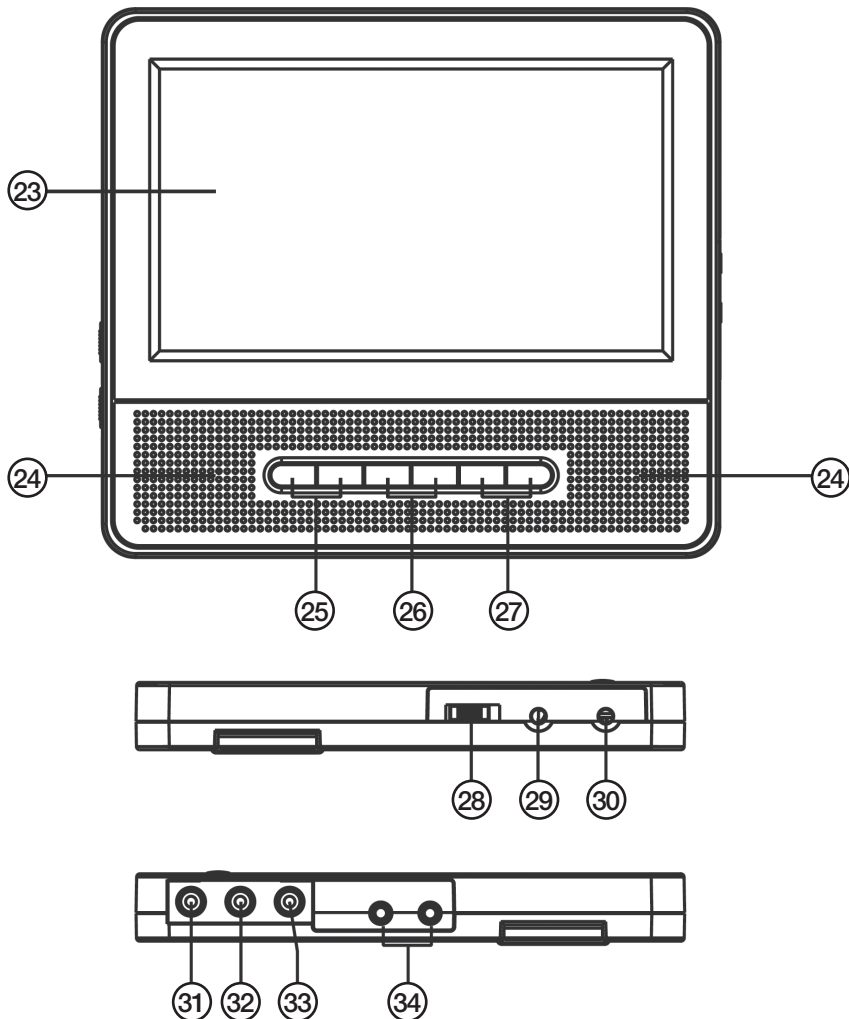
Knapper og funksjoner

Dvd-spiller



1. TFT-skjerm
2. PLAY/PAUSE – Starter avspilling eller setter den på pause
3. STOP – Stopper avspillingen
4. Foregående spor / hurtigspoling bakover
5. Neste spor / hurtigspoling framover
6. VOL - - Volumkontroll - senk volumet
7. VOL + - Volumkontroll - hev volumet
8. SETUP - Innstillinger
9. SUBTITLE – Teksting
10. Navigasjonsknapper
11. OK – Bekrefter innstillinger
12. Sensor for fjernkontroll
13. DISPLAY ON/OFF - Strømbryter for skjermen
14. DC IN 9-12 V – Inngang for ekstern spenningskilde/lader
15. Indikatorlampe for lading
16. POWER ON/OFF – Strømbryter, stenger enheten helt
17. Indikatorlampe for av/på
18. AUDIO – Utgang for lyd til tv (høyre)
19. AUDIO – Utgang for lyd til tv (venstre)
20. VIDEO – Utgang for bilde til tv
21. PHONES – Tilkobling for stereohøretelefoner (3,5 mm plugg)
22. Høytaler

Tvillingskjerm



23. TFT-skjerm

24. Høyttaler

25. BRIGHTNESS - Stiller inn skjermens lysstyrke

26. COLOR – Stiller inn farge

27. Volumkontroller – hever/senker volumet

28. POWER ON/OFF – Strømbryter, stenger enheten helt

29. DC IN 9-12 V – Inngang for ekstern spenningskilde/lader

30. DC OUT 9-12 V – Utgang for ekstern spenningskilde/lader

31. VIDEO – Inngang for bilde til tv

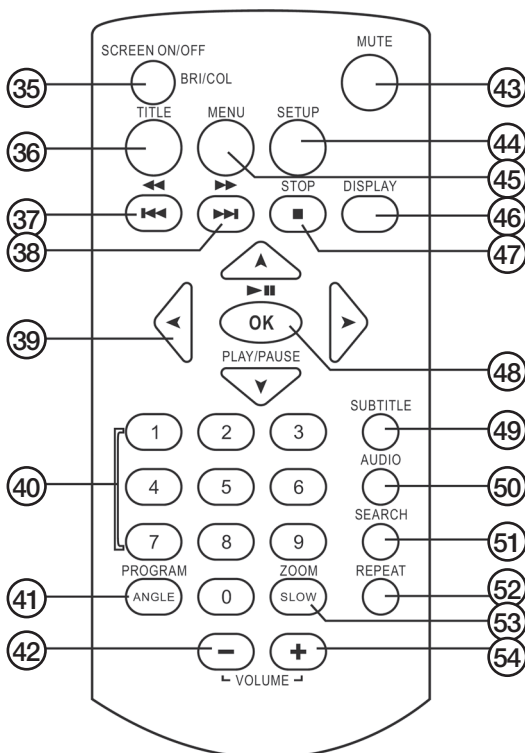
32. AUDIO – Inngang for lyd til tv (venstre)

33. AUDIO – Inngang for lyd til tv (høyre)

34. PHONES – Tilkobling for stereohøretelefoner (3,5 mm plugg)

Fjernkontroll

35. SCREEN ON/OFF - Slå på/ skru av skjermen, BRI/COL - Justere lysstyrke/farge
36. TITLE - Trykk mens dvd-platen spilles av, for å gå til dvd-ens tittelmeny.
37. ◀◀ - Foregående
◀◀ - Hurtigspole bakover
38. ▶▶ | - Neste avsnitt
▶▶ - Hurtigspole framover
39. Navigasjonsknapper
40. Talltaster
41. PROGRAM, ANGLE - Endrer bildevinkel (dersom filmen støtter den funksjonen).
42. VOL - - Volumkontroll - senk volumet
43. MUTE - Skruv av lyden
44. SETUP - Se detaljerte innstillinger og å kunne foreta endringer
45. MENU - Trykk mens dvd-platen spilles av, for å gå til dvd-ens hovedmeny.
46. DISPLAY - Viser informasjon om platen
47. ■ STOP - Stoppe avspillingen
48. OK - Bekrefte valg,
▶|| - Play/Pause
49. SUBTITLE - Velger språk på undertekst
50. AUDIO - Velger lydspor Mens musikk spilles av, trykk for å skifte mellom venstre, høyre, mix eller stereo. Under avspilling av dvd-platen, trykk for å velge språk (dersom dette er tilgjengelig på platen).
51. SEARCH - Trykk under avspilling for å finne/velge hva som skal spilles.
52. REPEAT - Trykk for å selv bestemme start- og stoppunkt i et avsnitt som skal repeteres. Trykk for å repetere et forhåndsinnstilt avsnitt, hela filmen eller hele dvd-platen.
53. SLOW - Spill av i slow-motion
ZOOM - Forstørker bildet
54. VOL + - Volumkontroll - hev volumet



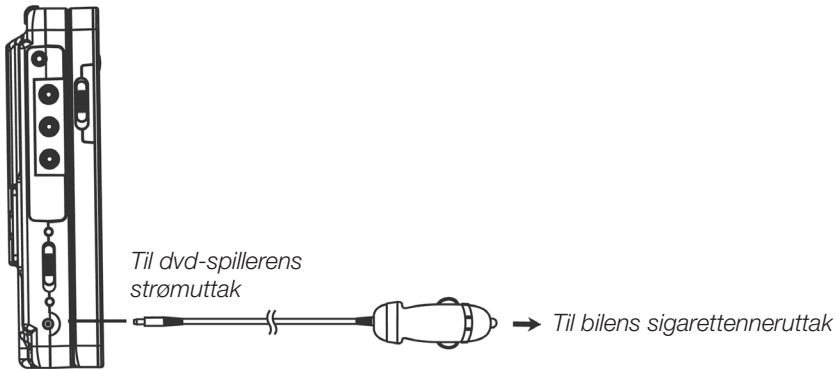
Kom i gang

Strømforsyning

Strømforsyning i bil

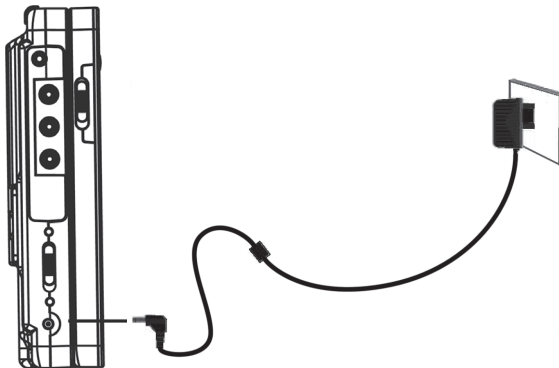
Biladapteren plugges til dvd-spilleren og deretter til ett 12 V sigaretteneruttak i bilen.

Obs! Bruk kun den medfølgende biladapteren.



Strømforsyning innendørs

Koble strømledningen som følger med til spenningstilkoblingspunktet (14) på dvd-spilleren og deretter til et strømuttak i veggen.



Obs! Trekk alltid ut bil- eller nettadapteren når dvd-spilleren ikke er i bruk.

Bruk av det innebygde batteriet

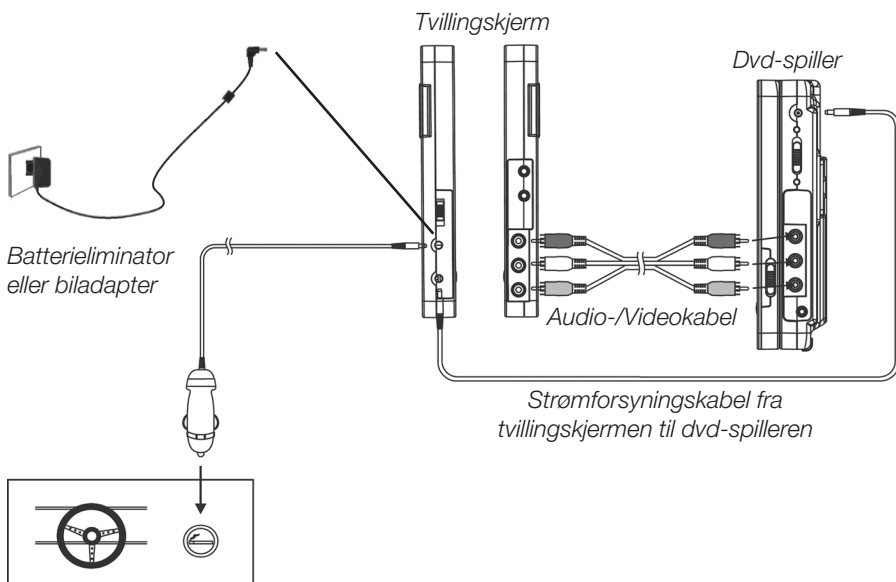
Spilleren har et innebygd ladbart litiumpolymerbatteri. Lad batteriene i minst 4 timer før første gangs bruk.

1. Still strømbryteren i posisjon **OFF**.
2. Strømadapteren kobles som beskrevet tidligere. Den røde indikatorlampen blinker ved lading og lyser med fast skinn når batteriet er fulladet.
3. Når batterinivået er lavt vil ikonet i displayet blinke. Når batteriet er helt utladet skrur enheten av automatisk.

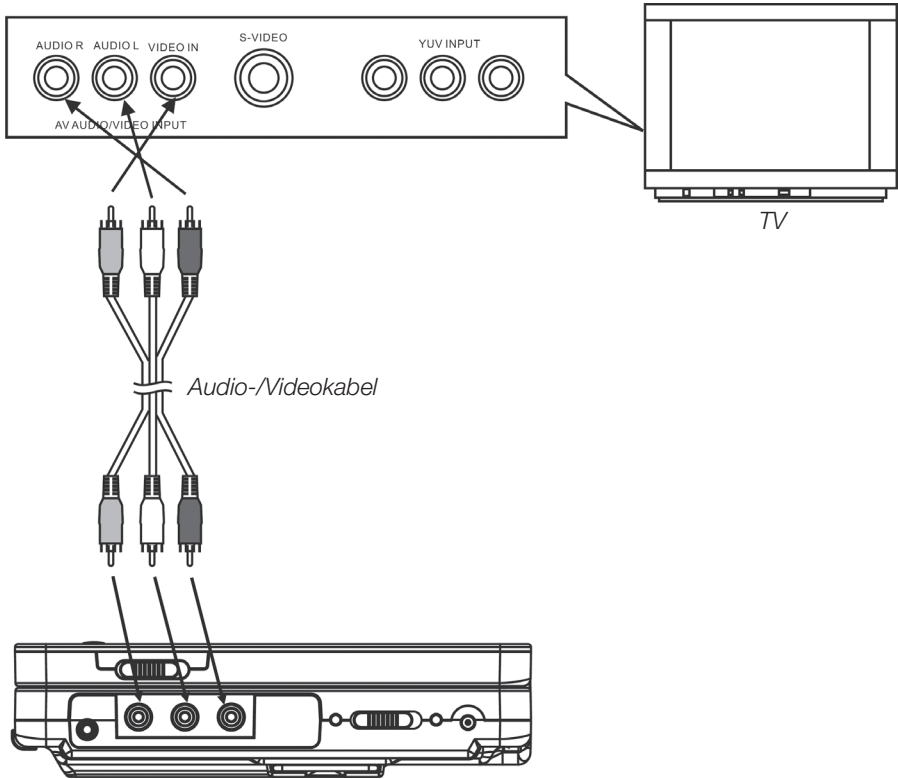
Tilkoblinger

Tilkobling til tvillingskjerm

Dvd-spilleren kan kobles til en ekstraskjerm med strømkabelen som følger med.



Kobling til en ekstern TV



Dvd-spilleren kan kobles til et eksternt tv-apparat med strømkabelen som følger med.

1. Påse da først at dvd-spilleren og tv/hjemmekinoforsterkeren er stengt før tilkobling.
2. Koble de 3 RCA-kontaktene til tv-apparatet som vist på bildet.
 - Rød kontakt til "AUDIO R".
 - Hvit kontakt til "AUDIO L".
 - Gul kontakt til "VIDEO IN".

Bruk

Starte dvd-spilleren

Sett strømbryteren (16) på **ON** for å starte enheten.

Bruk av fjernkontroll

Pek med fjernkontrollen mot sensoren (12) på dvd-spillerens framside og trykk på ønsket knapp for ønsket funksjon.

Spille cd- eller dvd-plate

1. Åpne cd-lokket.
2. Legg i en cd- eller dvd-plate, med etiketten vendt oppover og lukk lokket. Avspillingen starter automatisk.

Justere volumet

Trykk på [VOL+] eller [VOL-] for å heve eller senke volumet. Trykk på [MUTE] for å stenge av lydvolument helt.

Gå tilbake til hovedmenyen og spille av tittelen

Trykk på MENY under avspilling for å komme til hovedmenyen. Trykk deretter på [OK] for å spille den valgte tittelen.

Neste/foregående spor/avsnitt

Bruk knappene |◀◀ eller ▶▶| for å gå til foregående eller neste avsnitt.

Hurtigspoling

- Trykk på ◀◀ eller ▶▶ for å hurtigsøke bakover eller framover i et avsnitt. En markering i displayet viser aktuell hastighet på hurtigspolingen.
- Hold knappen inne ytterligere en liten stund for å endre hastigheten på hurtigspolingen. Du kan velge mellom 2, 4, 8 eller 32 ganger raskere avspilling.
- Trykk på ▶|| [Play/Pause] for å gå tilbake til normal avspilling.

Stoppe avspilling

Ved spilling av film

- Trykk en gang på [STOP] for å stoppe spillingen. Trykk på [PLAY] for å starte avspillingen igjen. Den vil starte der du stoppet den.
- Trykk en gang til på [STOP] for å stoppe spillingen helt og å gå til starten på platen.

Ved avspilling av musikk

- Trykk på [STOP] for å stoppe avspillingen.

Forstørre eller forminske bildet

- Trykk en eller flere ganger på [ZOOM] på fjernkontrollen for å forstørre (inntil 4 ganger) bildet. Displayet viser aktuelt forstørrelse.
- Bruk navigasjonsknappene for å flytte det forstørrede området.

Slow-motion

- Hold [SLOW]-knappen på fjernkontrollen inne for å spille av sakte (inntil 16 ganger langsommere enn normalt).

Stille inn lysstyrke og fargegjengivelse

Du kan nå som helst under avspillingen stille inn skjermens lysstyrke og fargegjengivelse.

- Trykk på [BRI/COL] på fjernkontrollen for å stille inn skjermens egenskaper. Skift mellom lysstyrke (BRI) og farge (COL) ved å trykke på [BRI/COL]. Juster verdiene med navigasjonstastene høyre og venstre.

Vise avspillingsinformasjonen

Under avspilling, trykk gjentatte ganger på DISPLAY for å vise informasjon om spillingen. Informasjonen vises i displayets øvre del.

Søk avsnitt

Trykk på [SEARCH] for å søke ønsket avsnitt. Du blir bedt om å taste inn tittel, kapittel og tidspunkt. Angi ønsket avsnitt med talltastene og trykk deretter på [OK] for å lagre avspillingen.

Forhåndsprogrammert avspilling

1. Trykk på [PROGRAM] for å komme til programmeringsmodus.
2. Programmerer titler og avsnitt i rekkefølge med talltastene. Forflytting i programmeringsruten foregår med navigasjonsknappene. **Obs!** Hvis for eksempel avsnitt 2 skal programmeres inn, angi "02".
3. For å starte den programmerte avspillingen, gå til START på programmeringsmenyen og trykk på [OK].
4. For å endre dine programmeringer, bruk navigasjonsknappene og still deg på den innmatingen du ønsker å endre. Programmer inn ny ønsket tittel og avsnitt med talltastene. **Obs!** Fungerer ikke dersom du allerede har startet den programmerte avspillingen.
5. For å slette programmeringslisten under avspilling, trykk på PROGRAM. I programmeringsmenyen er da STOP markert. Trykk på [OK] for å slette samtlige posten. EXIT er markert. Trykk på [OK] for å forlate programmeringsmenyen.

Lydspor (dvd)

Fungerer kun på plater som inneholder flere spor.

- Trykk en eller flere ganger på [AUDIO] for å velge andre lydspor. Aktuelt språk vises i displayet. Aktuelt lydbilde vises i displayet.

Bildevinkel (dvd)

Fungerer kun på noen dvd-filmer.

Under avspilling, trykk og hold [ANGLE] inne for å vise og å velge tilgjengelig bildevinkler.

Undertekster (dvd)

Fungerer kun med noen dvd-plater.

Under avspilling, trykk gjentatte ganger på [SUBTITLE] for å velge språk for undertekstene. Aktuelt språk vises i displayet.

Mp3/Mpeg4

1. Sett i en cd eller dvd-plate som inneholder mp3- eller mpeg4-filer.
2. Skjermen viser etter en liten stund de mapper som er på platen.
3. Bruk navigasjonsknappene for å markere den mappe eller fil som du vil spille av. Trykk på [OK] for å bekrefte og å starte avspillingen. Avspilling av den første filen i mappen starter automatisk.
4. Bruk knappene |◀◀ eller ▶▶| for å gå til neste eller foregående spor.

Bildevisning

1. Sett i en cd- eller dvd-plate som inneholder bilder i filformatet Jpeg. Skjermen viser etter en liten stund de mapper som er på platen.
2. Bruk navigasjonsknappene for å merke en mappe eller bildefil som skal vises. Trykk på [OK] for å bekrefte.
3. Bruk knappene |◀◀ eller ▶▶| for å gå til neste eller foregående spor.
 - Under bildeframvisningen, trykk på navigasjonsknappene for å rotere eller vende på bildene.
 - Trykk en eller flere ganger på knappen [ZOOM] for å forstørre eller forminske bildet. Displayet viser aktuelt forstørrelse.

Innstillinger

Du kan når som helst aktivere innstillingsmenyen ved å trykke på knappen [SETUP] på dvd-spilleren.

- Bruk navigasjonsknappene for å forflytte deg i menyene og trykk på [OK] for å bekrefte dine valg/innstillinger.
- Ikonet for aktuell meny har en gul markering.
- Når du er inne i en meny, trykk på navigasjonsknappen til venstre
- Trykk en gang til på [SETUP] for å avslutte og å gå ut av menyene.

Forklaring av menyer

Skjerminnstillinger

Benevning	Beskrivelse	Fabrikkinnstilling
Tv-skjerm	Stiller inn tv-modus. Velg mellom Normal/PS, Normal/LB og Bred. Still inn på det samme som tv-apparatet er innstilt på.	Bred
LCD-skjerm	Stiller inn ønsket bildeformat. 4:3 benyttes på tradisjonelle bildeskjermer; 16:9 benyttes på bredbildeskjermer (wide-screen).	16:9
Bildevinkelmarkering	Stiller inn hvis flerevinkelikonet skal viset på skjermen når du spiller en dvd som har den funksjonen.	På
OSD-språk	Still inn språk for dvd-spillerens menyer. Velg mellom engelsk, svensk og finsk.	Engelsk
Skjermbeskytter	Slår av/på skjermbeskytteren.	På

Lydinnstillinger

Benevning	Beskrivelse	Fabrikkinnstilling
Lydbilde	Stiller inn lydbilde. LT/RT = Mikser ned fra stereo til mono. STEREO = Mikser ned fra 5.1-lyd til stereo.	Stereo

Bildeinnstillinger

Benevning	Beskrivelse	Fabrikkinnstilling
Bildeinnstillinger	Stiller inn bildekvaliteten som f.eks. farge, lysstyrke og kontrast. Still inn verdiene med navigasjonsknappene og bekreft med [OK].	Middels

Generelle innstillinger

Benevning	Beskrivelse	Fabrikkinnstilling
TV-system	Stiller inn tv-system for utsignalet på dvd-spillerens videoutganger. Velg mellom NTSC (USA), PAL (Europa) eller AUTO.	PAL
Lydspor	Stiller inn ønsket lydspor for dvd-plater (dersom det er spor tilgjengelig på platen).	Engelsk
Teksting	Stiller inn ønsket tekstspor for dvd-plater (dersom det er spor tilgjengelig på platen).	Engelsk
Platemeny	Stiller inn ønsket språk for dvd-platenes menyer (dersom det er spor tilgjengelig på platen).	Engelsk
Barnesikring	Denne innstilling gir mulighet til å stille inn ønskede restriksjoner til barna for å forhindre at uønskede filmer vises. Velg ønsket grad (1 – 8).	8 = adult
Tilbakestille	Tilbakestiller dvd-spillere til fabrikkinnstillinger. Vær oppmerksom på at passordet og nivået for barnesikringen IKKE tilbakestilles.	

Passord

Benevning	Beskrivelse	Fabrikkinnstilling
Passord	Stiller inn om passord skal brukes eller ikke.	På
Skift passord	Skift passord. 1. Bruk taltastene på fjernkontrollen for å skrive inn det nåværende passordet. 2. Skriv deretter inn det nye passordet. 3. Skriv deretter inn det nye passordet, en gang til. Passordet 1389 kan alltid benyttes dersom du har glemt ditt eget.	

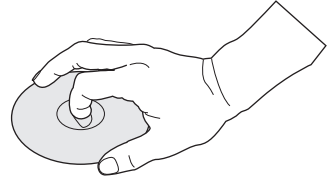
Stell og vedlikehold

Rengjøring

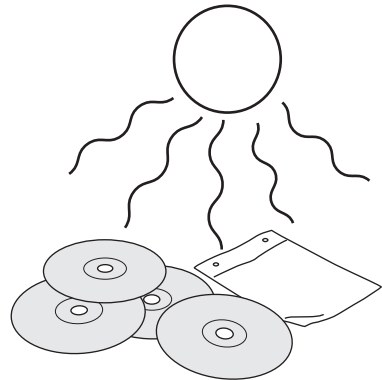
- Trekk alltid ut strømledningen før rengjøring.
- Påse at det ikke kommer væske inn i dvd-spilleren.
- Bruk kun en lett fuktet klut ved rengjøring av dekslet.
- Bruk aldri løsemidler eller sterke rengjøringsmidler.

Stell av plater

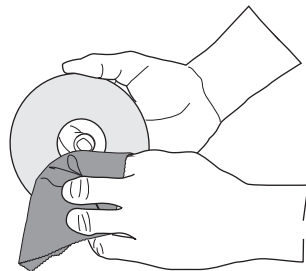
- Hold platen i hullet og på kanten når du håndterer den, så det ikke kommer fingeravtrykk på selve platen.



- Platen må ikke bøyes eller utsettes for direkte sollys eller annen varmekilde.



- Platene skal kun rengjøres med en tørr myk klut. Stryk fra sentrum av platen og utover. Bruk aldri rengjøringsmidler eller sterke løsemidler.
- Oppbevar platene i sine futteraler.



Feilsøking

Feil	Forslag til tiltak
Enheten starter ikke, eller den skrur seg plutselig av.	<ul style="list-style-type: none"> - Påse at batteriet er korrekt installert. - Påse at bil- eller nettadapteren er riktig koblet til. - Start enheten på nytt ved først å slå av for så å skru på strømbryteren igjen.
Produktet reagerer ikke på fjernkontrollens knapper.	<ul style="list-style-type: none"> - Sjekk at fjernkontrollens batterier er satt i riktig, Sett i nye batterier. - Påse at fjernkontrollen er rettet mot sensoren på DVD-spillerens framside. - Påse at ingen andre gjenstander forstyrrer fjernkontrollens signaler.
Ikke noe bilde eller lyd	<ul style="list-style-type: none"> - Kontroller at ev. lyd- og bildekabler er riktig koblet til. - Kontroller at platen som brukes er av typen dvd, dvd-r, dvd-rw og cd. - Sjekk at platen er hel og fri for riper, og at den er riktig plassert med etiketten vendt oppover. - Kontroller at spillerens laserpickup ikke er skitten. Hvis det er tilfelle, ta kontakt med kundetjenesten. - Kontroller at ev. tilkoblet TV-apparat er innstilt på riktig kanal (VIDEO, AV, etc.).
Ingen lyd	<ul style="list-style-type: none"> - Påse at lokket er åpent. Når lokket er stengt er lyden kun aktivert via lydutgangene. - Sjekk at lyden ikke er skrudd av.
Dårlig lyd/ Dårlig bilde	<ul style="list-style-type: none"> - Kontroller platen. Bruk en ren og ripefri plate.

Avfallshåndtering

Når produktet skal kasseres, må det skje i henhold til lokale forskrifter. Ved usikkerhet, ta kontakt med de lokale myndighetene.

Spesifikasjoner

Ekstern spenning	9 V DC, 2000 mA (nett- og biladapter følger med)
Effekt	13 W
Skjermstørrelse	7"
Oppløsning	480 x 234 piksler
Batteritype, DVD-spiller	1800 mAh litiumpolymer
Batteritype, fjernkontroll	2 x LR03/AAA (medfølger ikke)
Driftstid	ca. 2 timer via det ladbare batteriet

Kannettava dvd-soitin

Tuotenro 18-8118 Malli DPX3270V SSD70S-UK
38-3474 DPX3270V SSD70S

Lue käyttöohjeet ennen tuotteen käyttöönottoa. Säilytä käyttöohjeet tulevaa tarvetta varten. Pidätämme oikeuden teknisten tietojen muutoksiin. Emme vastaa mahdollisista teksti- tai kuvavirheistä. Jos laitteeseen tulee teknisiä ongelmia, ota yhteys myymälään tai asiakaspalveluun (yhteystiedot käyttöohjeen lopussa).

Sisällysluettelo

Turvallisuus	49
Pakkauksen sisältö.....	49
Painikkeet ja toiminnot.....	50
Käytön aloittaminen	53
Käyttö.....	56
Asetukset	59
Huolto ja ylläpito.....	61
Vianhakutaulukko	62
Kierrätys.....	62
Tekniset tiedot	62

Turvallisuus

- Laitteen saa korjata vain valtuutettu huoltoliike.
- Älä pura tai muuta laitetta.
- Tuote on tarkoitettu vain sisäkäyttöön.
- Älä altista laitetta liian korkeille lämpötiloille, iskuille, kosteudelle tai vedelle.
- Älä sijoita laitetta sellaiseen paikkaan, josta se voi tippua veteen tai muuhun nesteeseen.
- Älä pane laitteen päälle nesteitä sisältäviä esineitä, kuten maljakoita tai limsapulloja.
- Älä käytä laitetta kosteissa tai pölyisissä tiloissa tai paikoissa, joissa siihen kohdistuu voimakasta värähtelyä.
- Sammuta mahdollinen valmiustila ja irrota pistoke yön ajaksi ja kun poistut kotoa.
- Älä altista akkua korkeille lämpötiloille.
- Älä kuuntele kuulokkeista kovaäänistä musiikkia pitkäkestoisesti, se voi vahingoittaa kuuloasi.
- Sijoita laite vaakatasossa olevalle pinnalle käytön ajaksi.



LUOKAN 1 LASERLAITE

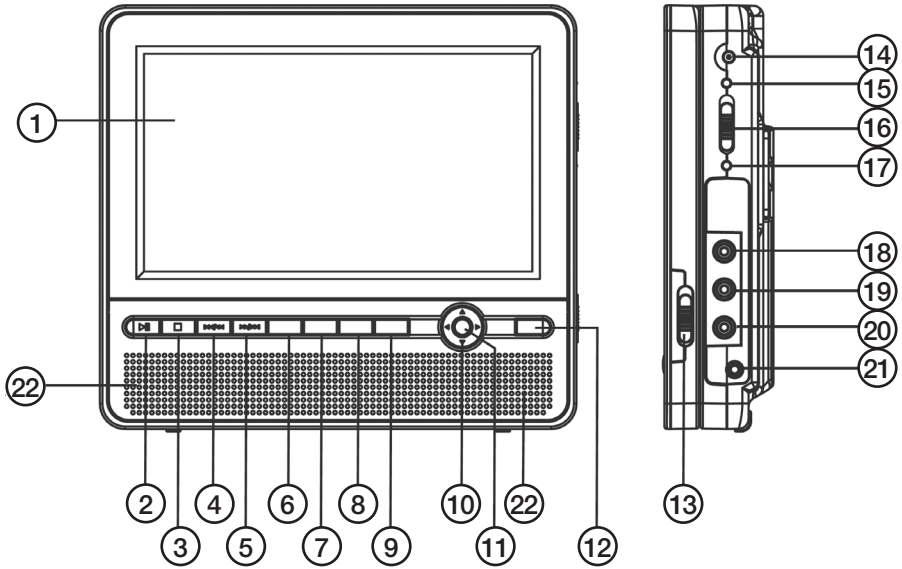
Varoitus! Älä avaa laitteen koteloa! Näkymätön lasersäde voi aiheuttaa silmävaurioita. Älä katso säteeseen edes optisten instrumenttien läpi.

Pakkauksen sisältö

- Dvd-soitin, jossa on TFT-näyttö
- Toinen näyttö
- Kaukosäädin
- 2 kuulokkeet
- Muuntaja
- 1 kaapeli liitettäväksi savukkeensytytinliitäntään
- 2 hihnaa niskatukiasennukseen
- 1 kantolaukku
- 1 AV-kaapeli
- 1 virtakaapeli näyttöjen välille

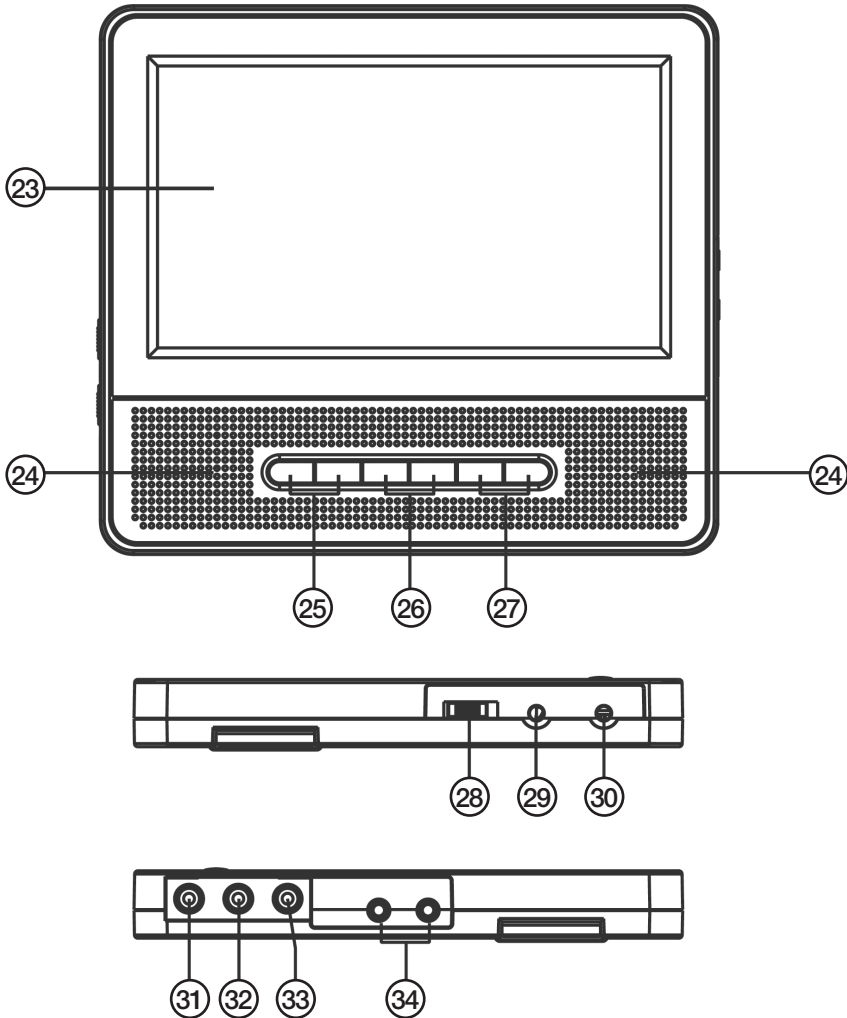
Painikkeet ja toiminnot

Dvd-soitin



1. TFT-näyttö
2. PLAY/PAUSE – Aloita tai keskeytä toisto
3. STOP – Pysäyttää toiston
4. Edellinen raita tai pikakelaus taaksepäin
5. Seuraava raita tai pikakelaus eteenpäin
6. VOL- alenna äänenvoimakkuutta
7. VOL+ Lisää äänenvoimakkuutta
8. SETUP – Asetukset
9. SUBTITLE Tekstitys
10. Navigointipainikkeet
11. OK – Asetusten vahvistaminen
12. Kaukosäätimen tunnistin
13. DISPLAY ON/OFF - Näytön virtakytkin
14. DC IN 9-12 V – Ulkoisen virtalähteen sisääntulo/Laturi
15. Latauksen merkkivalo
16. POWER ON/OFF – Sammuttaa laitteen kokonaan
17. Päällä-tilan merkkivalo
18. AUDIO – Television äänen oikea liitäntä
19. AUDIO – Television äänen vasen liitäntä
20. VIDEO – Television kuvan liitäntä
21. PHONES – Kuulokeliitäntä (3,5 mm:n liitäntä)
22. Kaiuttimet

Toinen näyttö



23. Tft-näyttö

24. Kaiuttimet

25. BRIGHTNESS – Valonvoimakkuuden säätäminen

26. COLOR – Värin asetukset

27. Ääniohjaimet – äänenvoimakkuuden laskeminen/nostaminen

28. POWER ON/OFF – Sammuttaa laitteen kokonaan

29. DC IN 9-12 V – Ulkoisen virtalähteen sisääntulo/Laturi

30. DC OUT 9-12 V – Ulkoisen virtalähteen ulostulo/Laturi

31. VIDEO – Television kuvan liitäntä

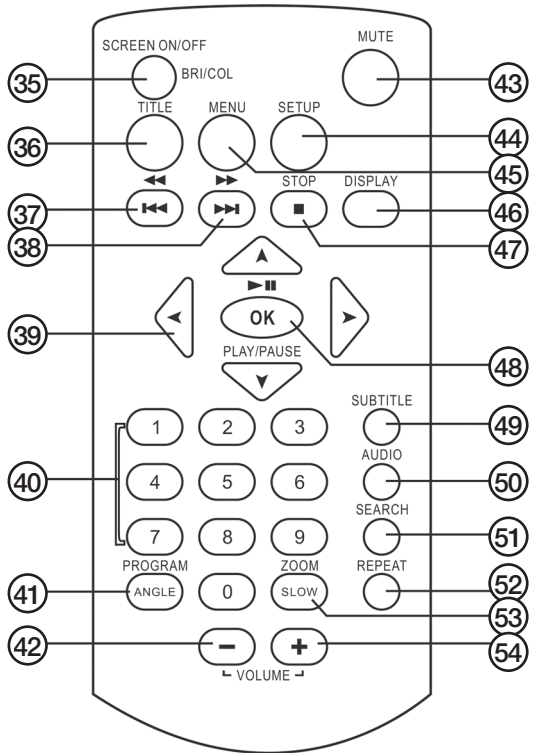
32. AUDIO – Television äänen vasen liitäntä

33. AUDIO – Television äänen oikea liitäntä

34. PHONES – Kuulokeliitäntä (3,5 mm:n liitäntä)

Kaukosäädin

35. SCREEN ON/OFF - Näyttö päälle tai pois päältä
BRI/COL – Kirkkaus/väri
36. TITLE – Siirry dvd:n nimivalikkoon dvd-levyn toiston aikana.
37. |◀◀ – Edellinen jakso
◀◀ – Pikakelaus taaksepäin
38. ▶▶| – Seuraava jakso
▶▶ – Pikakelaus eteenpäin
39. Navigointipainikkeet
40. Numeropainikkeet
41. PROGRAM
ANGLE – Muuta kuvakulmaa (jos elokuva tukee toimintoa)
42. VOL- alenna äänenvoimakkuutta
43. MUTE – Äänen mykistys
44. SETUP – Katsele asetuksia ja muuta niitä
45. MENU – Siirry dvd:n päävalikkoon dvd-levyn toiston aikana.
46. DISPLAY – Levyn tiedot
47. ■ STOP – Toiston keskeytys
48. OK – Valinnan vahvistaminen
▶|| – Play/Pause
49. SUBTITLE – Tekstityksen kielen valinta
50. AUDIO – Ääniraita. Valitse vasen, oikea, mix tai stereo cd-toiston aikana. Valitse ääniraidan kieli dvd-toiston aikana (mikäli levy tukee toimintoa).
51. SEARCH – Valitse/etsi toistettava kohta toiston aikana painamalla painiketta.
52. Repeat – Valitse uudelleentoistettavan jakson alku ja loppu toiston aikana. Toista valittu jakso, koko elokuva tai koko dvd-levy.
53. SLOW – Hidastettu toisto
ZOOM – Kuvan suurentaminen
54. VOL+ Lisää äänenvoimakkuutta



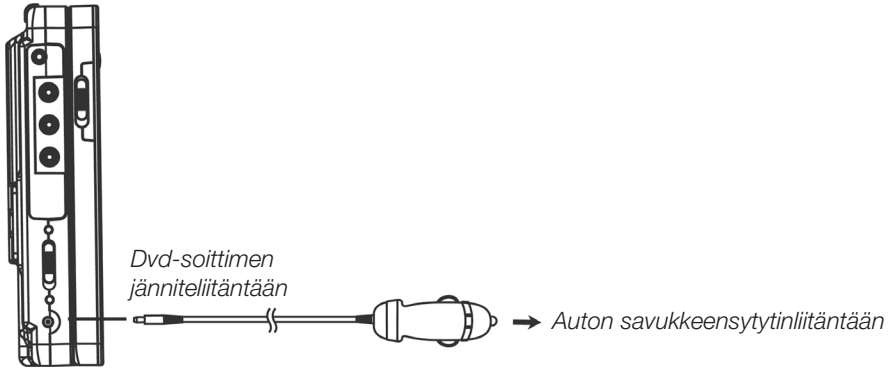
Käytön aloittaminen

Virtalähde

Virtalähde autossa

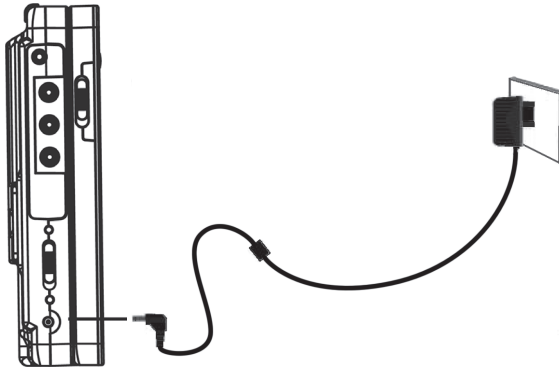
Liitä autosovitin dvd-soittimen jänniteliitäntään (14) ja 12 voltin savukkeensytytinkiitäntään.

Huom.! Käytä ainoastaan pakkauksen autosovitinta.



Virtalähde sisätiloissa

Liitä pakkauksen muuntaja dvd-soittimen jänniteliitäntään (14) ja seinäpistorasiaan.



Huom.! Irrota autosovitin tai muuntaja dvd-soittimesta, kun et käytä soitinta.

Sisäisen akun käyttäminen

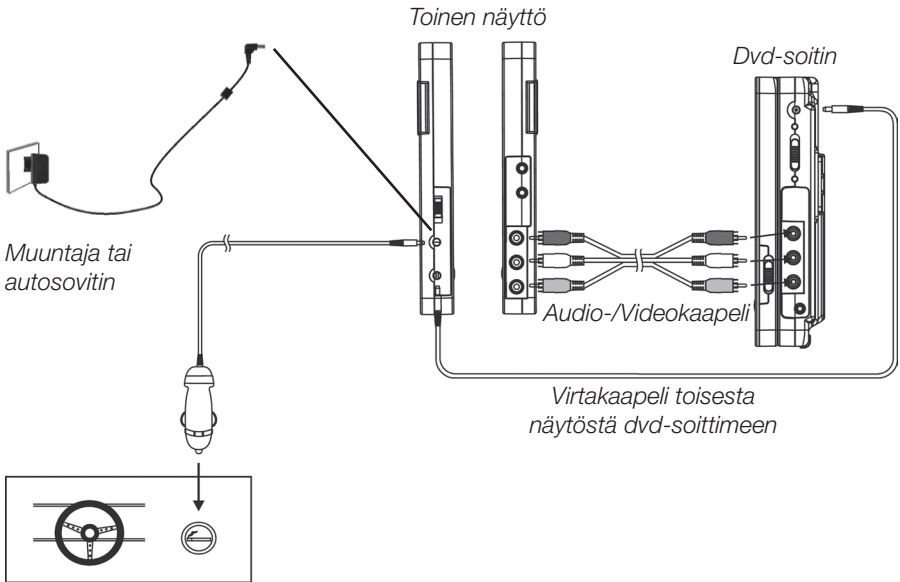
Soittimessa on sisäänrakennettu ladattava litiumpolymeeri-akku. Lataa akkua vähintään 4 tuntia ennen ensimmäistä käyttökertaa.

1. Aseta virtakytkin asentoon OFF.
2. Liitä muuntaja yllä olevien ohjeiden mukaisesti. Punainen merkkivalo vilkkuu latauksen aikana ja palaa akun latauduttua.
3. Kun akun varaustaso on heikko, näytöllä vilkkuu kuvake. Kun akku on täysin tyhjä, laite sammuu itsestään.

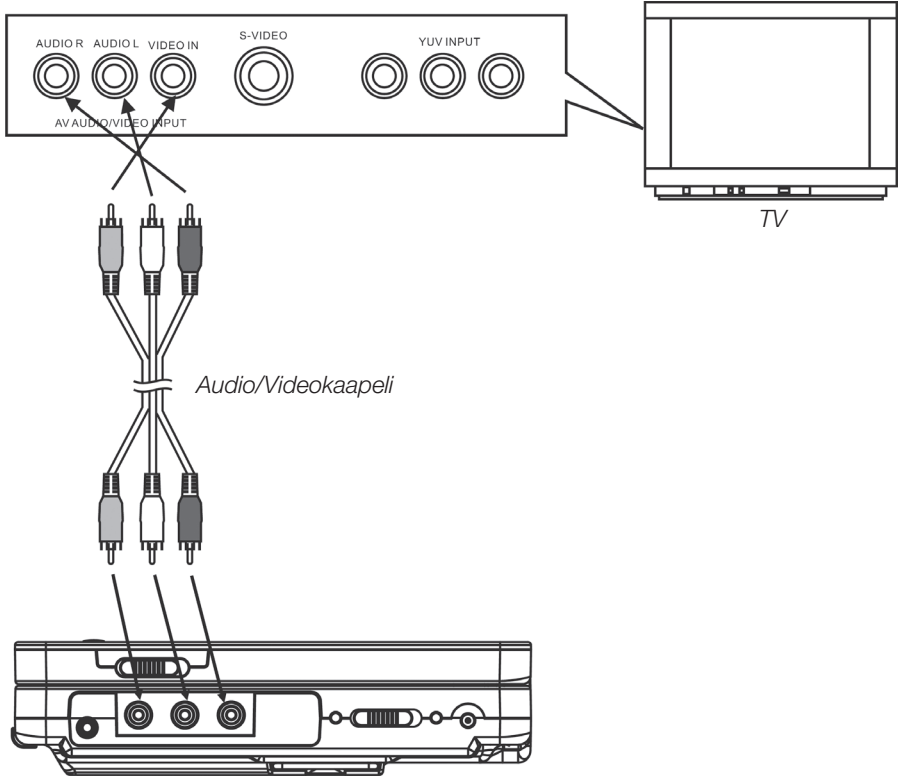
Liitännät

Toisen näytön liittäminen

Voit liittää dvd-soittimen toiseen näyttöön pakkauksen liitännäjohdolla.



Liittäminen ulkoiseen televisioon



Voit liittää dvd-soittimen televisioon pakkauksen liitântäjohdolla.

1. Varmista ensin, että dvd-soitin ja televisio/kotiteatterivahvistin ovat pois päältä ennen liittämistä.
2. Liitä 3 RCA-liitintä televisioon kuvan mukaisesti.
 - Punainen liitin: "AUDIO R".
 - Valkoinen liitin: "AUDIO L".
 - Keltainen liitin: "VIDEO IN".

Käyttö

Dvd-soittimen käynnistäminen

Aseta virtakytkin (16) **ON**-asentoon, niin laite käynnistyy.

Kaukosäätimen käyttö

Suuntaa kaukosäädin kohti dvd:n etupuolella olevaa tunnistinta (12) ja paina haluamaasi painiketta.

Cd- tai dvd-levyn toisto

1. Avaa levylokeron.
2. Aseta lokeroon cd- tai dvd-levy etikettipuoli ylöspäin. Sulje levylokeron. Toisto käynnistyy automaattisesti.

Äänenvoimakkuuden säätäminen

Säädä äänenvoimakkuutta painamalla [VOL+] tai [VOL-]. Mykistä ääni kokonaan painamalla [MUTE].

Paluu päävalikkoon ja nimikkeen toistaminen

Siirry toiston aikana päävalikkoon painamalla [MENU]-painiketta. Toista valitsemäsi nimike painamalla [OK].

Seuraava/edellinen raita tai jakso

Siirry edelliseen tai seuraavaan jaksoon tai raitaan painamalla |◀◀ tai ▶▶|.

Pikakelaus

- Pikakelaa eteen tai taakse pitämällä pohjassa |◀◀ tai ▶▶|. Näytöllä näkyy pikakelausnopeus.
- Muuta pikakelausnopeutta painamalla painiketta vielä hetken ajan. Valittavanasi on 2-, 4-, 8-, 16- tai 32-kertainen nopeus.
- Palaa normaalitoistoon painamalla ▶|| [Play/Pause].

Toiston keskeyttäminen

Elokuvaa toistettaessa

- Lopeta toisto painamalla kerran [STOP]. Jatka toistoa painamalla [PLAY].
- Lopeta toisto kokonaan ja palaa levyn alkuun painamalla uudestaan [STOP].

Musiikkia toistettaessa:

- Lopeta toisto painamalla [STOP].

Kuvan suurentaminen tai pienentäminen

- Suurena kuvaa (enintään nelinkertaiseksi) painamalla kaukosäätimen [ZOOM]-painiketta. Näytöllä näkyy valittu suurennos.
- Siirrä suurennettua kohtaa navigointipainikkeilla.

Hidastus

- Paina kaukosäätimen [SLOW]-painiketta hidastaaksesi toistoa (enintään 16 kertaa hitaammaksi).

Valonvoimakkuuden ja värintoiston säätäminen

Voit säätää näytön valonvoimakkuutta ja värintoistoa milloin tahansa toiston aikana.

- Säädä näytön ominaisuuksia painamalla kaukosäätimen [BRI/COL]-painiketta. Vaihda valonvoimakkuuden (BRI) ja värin (COL) välillä painamalla [BRI/COL]. Säädä sitten arvoa navigointipainikkeilla oikealle tai vasemmalle.

Toistotietojen katsominen

Katsele toiston tietoja painamalla [DISPLAY] toiston aikana. Tiedot näkyvät näytön yläosassa.

Jakson etsiminen

Etsi haluamasi jakso painamalla [SEARCH]. Näppäile nimike, kappale ja ajankohta. Syötä oikea kappale numeropainikkeilla ja aloita toisto painamalla [OK].

Ohjelmoitu toisto

1. Siirry ohjelmointitilaan painamalla [PROGRAM].
2. Ohjelmoi järjestyksessä nimikkeet ja kappaleet numeropainikkeilla. Siirry ohjelmointiruutuun navigointipainikkeilla. **Huom.!** Jos haluat ohjelmoida esim. kappaleen 2, syötä "02".
3. Aloita ohjelmoitu toisto siirtymällä ohjelmointivalikon kohtaan "Start" ja painamalla sitten [OK].
4. Muuta ohjelmointia navigointipainikkeilla ja siirry kohtaan, jonka haluat muuttaa. Ohjelmoi uusi nimike ja kappale numeropainikkeilla. **Huom.!** Tämä toiminto ei ole käytössä, jos olet jo käynnistänyt ohjelmoidun toiston.
5. Tyhjennä ohjelmointilista toiston aikana painamalla [PROGRAM]. Ohjelmointitilassa on Stop merkittynä. Tyhjennä kaikki muistipaikat painamalla [OK]. Merkittynä on "Exit". Poistu ohjelmointivalikosta painamalla [OK].

Ääniraita (dvd)

Toiminto toimii vain levyillä, joissa on useampia ääniraitoja.

- Vaihda ääniraitaa painamalla [AUDIO]. Valittu kieli näkyy näytöllä. Valittu ääniasetus näkyy näytöllä.

Kuvakulma (dvd)

Toimii vain tietyissä dvd-filmeissä.

Valitse sopiva kuvakulma toiston aikana painamalla pitkään [ANGLE].

Tekstitys (dvd)

Toimii vain tietyissä dvd-levyissä.

Valitse tekstityksen kieli painamalla toiston aikana [SUBTITLE] niin monta kertaa, että löydät haluamasi tekstityskielen. Valittu kieli näkyy näytöllä.

Mp3/Mpeg4

1. Aseta laitteeseen cd- tai dvd-levy, joka sisältää mp3- tai mpeg4-tiedostoja.
2. Näytöllä näkyy hetken kuluttua levyllä olevat kansiot.
3. Siirry navigointipainikkeilla haluamasi kansion kohdalle. Vahvista ohjelmointi ja aloita toisto painamalla [OK]. Toisto alkaa automaattisesti ensimmäisestä tiedostosta.
4. Siirry edelliseen tai seuraavaan raitaan painamalla |◀◀ tai ▶▶|.

Kuvanäyttö

1. Aseta levylokeroon cd- tai dvd-levy, joka sisältää jpeg-formaatin kuvia. Näytöllä näkyy hetken kuluttua levyllä olevat kansiot.
2. Valitse kansio tai kuvatiedosto navigointipainikkeilla. Vahvista valinta painamalla [OK].
3. Siirry edelliseen tai seuraavaan kuvaan painamalla |◀◀ tai ▶▶|.
 - Käännä tai pyöritä kuvaa kuvaesityksen aikana navigointipainikkeilla.
 - Paina [ZOOM]-painiketta yhden tai useamman kerran suurentaaksesi kuvaa. Näytöllä näkyy valittu suurennos.

Asetukset

Voit avata asetusvalikon milloin tahansa painamalla dvd-soittimen [SETUP]-painiketta.

- Liiku valikoissa navigointipainikkeilla. Vahvista tekemäsi valinnat ja asetukset painamalla [OK].
- Auki olevan valikon kuvake on merkitty keltaisella.
- Kun olet valikossa, paina navigointipainiketta vasemmalle.
- Poistu valikoista painamalla [SETUP].

Valikkojen selitykset

Näytön asetukset

Nimike	Kuvaus	Tehdasasetukset
Tv-näyttö	Asettaa tv-tilan. Valitse seuraavista: normaali/PS, Normaali/LB ja Laaja. Valitse sama asetus kuin tv:ssä.	Laajakuva
LCD-näyttö	Kuvasuhteen valitseminen. Perinteisten kuvaruutujen kuvasuhde on 4:3 ja laajakuvaruutujen suhde on 16:9.	16:9
Kuvakulma-merkintä	Valitse näkykö monikulmakuvake näytöllä kun toistat dvd:n jossa on tämä toiminto.	Päällä
OSD-kieli	Valitse dvd-soittimen valikoiden kieli. Kielet ovat englanti, ruotsi ja suomi.	Englanti
Näytön-säästäjä	Näytönsäästäjä päällä tai pois päältä.	Päällä

Ääniasetukset

Nimike	Kuvaus	Tehdasasetukset
Ääniasetukset	Ääniasetusten valinta. LT/RT = Miksaa stereosta mono. STEREO = Miksaa 5.1 -äänestä stereoon.	Stereo

Kuva-asetukset

Nimike	Kuvaus	Tehdasasetukset
Kuva-asetukset	Kuvan laadun valinta, esim. väri, kirkkaus ja kontrasti. Aseta arvot navigointipainikkeilla ja vahvista painalla [OK].	Keskiarvo

Yleiset asetukset

Nimike	Kuvaus	Tehdasasetukset
TV-järjestelmä	Aseta tv-järjestelmä dvd-soittimen videoliitännän signaalin mukaan. Vaihtoehtoina ovat NTSC (USA), PAL (Eurooppa) ja AUTO.	PAL
Ääniraidat	Valitse dvd-levyn ääniraita, jos valittavissasi on useita ääniraitoja.	Englanti
Tekstitys	Valitse dvd-levyn tekstityskieli, jos valittavissasi on useita kieliä.	Englanti
Levyvalikko	Valitse dvd-levyn valikoiden kieli, jos valittavissasi on useita kieliä.	Englanti
Lapsilukko	Aseta rajoituksia lapsille, jotta he eivät pääse katsomaan sopimattomia elokuvia. Valitse haluamasi aste (1–8).	8 = adult
Asetusten palautus	Dvd-soittimen tehdasasetusten palautus. Huom.! Lapsilukon salasanaa tai astetta ei palauteta.	

Salasana

Nimike	Kuvaus	Tehdasasetukset
Salasana	Valitse käytetäänkö salasanaa.	Päällä
Salasanan vaihtaminen	Salasanan vaihtaminen. 1. Syötä nykyinen salasana kaukosäätimen numeropainikkeilla. 2. Syötä sitten uusi salasana. 3. Syötä sitten uusi salasana. Voit aina käyttää salasanaa 1389 , jos olet unohtanut omasi.	

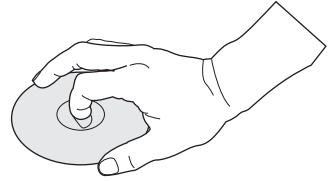
Huolto ja ylläpito

Puhdistus

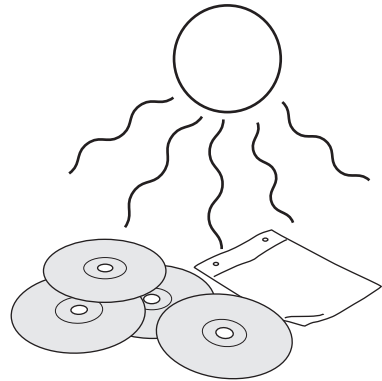
- Irrota aina pistoke verkkovirrasta ennen laitteen puhdistusta.
- Varmista, että laitteeseen ei pääse kosteutta.
- Käytä kosteaa liinaa, kun puhdistat laitteen koteloä.
- Älä käytä voimakkaita puhdistusaineita tai liuottimia.

Käsittele levyjä oikein

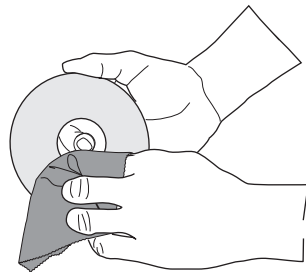
- Pitele levyä reiästä ja reunasta. Näin vältät sormenjälkien ja lian kertymisen levyn pintaan.



- Älä taivuta levyä äläkä altista sitä suoralle auringonvalolle tai muulle lämmönlähteelle.



- Puhdista levyt kuivalla ja pehmeällä liinalla keskeltä ulospäin. Älä käytä puhdistusaineita tai vahvoja liuottimia.
- Säilytä levyjä koteloiissaan.



Vianetsintä

Vika	Toimenpide
Soitin ei käynnisty tai kytketty pois päältä.	<ul style="list-style-type: none">- Varmista, että akku on ladattu.- Varmista, että autosovitin tai muuntaja on liitetty oikein.- Käynnistä laite uudelleen painamalla se pois päältä ja takaisin päälle virtakytkimestä.
Soitin ei reagoi kaukosäätimeen.	<ul style="list-style-type: none">- Varmista, että kaukosäätimen paristot on asetettu oikein.- Vaihda vanhojen paristojen tilalle uudet.- Varmista, että suuntaat kaukosäätimen dvd-soittimen etupuolen tunnistinta kohti.- Varmista, ettei kaukosäätimen signaalia estä mikään esine.
Ei kuvaa tai ei ääntä.	<ul style="list-style-type: none">- Tarkista, että ääni- ja kuvakaapelit on liitetty oikein.- Tarkista, että levy on tyyppiä dvd, dvd-r, dvd-rw, tai cd.- Tarkista, että levy on ehjä eikä siinä ole naarmuja. Tarkista myös, että se on asetettu lokeroon etikettipuoli ylöspäin.- Tarkista, ettei soittimen laserlukupää ole likainen. Jos se on likainen, ota yhteyttä asiakaspalveluun.- Varmista, että televisio on asetettu oikealle kanavalle (video, AV, tms.)
Ei ääntä	<ul style="list-style-type: none">- Varmista, että kansi on auki. Kun kansi on suljettu, ääni aktivoituu vain ääni- tai kuulokeulostulojen kautta.- Varmista, ettei ääntä ole sammutettu.
Huono ääni tai huono kuva	<ul style="list-style-type: none">- Tarkista levyn kunto. Käytä ehjää ja naarmutonta levyä.

Kierrätys

Kierrätä tuote asianmukaisesti, kun poistat sen käytöstä. Kysy tarkempia kierrätysohjeita kuntasi jäteneuvonnasta.

Tekniset tiedot

Ulkoinen käyttöjännite	9 V DC, 2 000 mA (mukana muuntaja ja autosovitin)
Teho	13 W
Näytön koko	7"
Erottelukyky	480 x 234 pikseliä
Akkutyypä, dvd-soitin	1800 mAh, litiumpolymeeri
Kaukosäätimen paristot	2 x LR03/AAA (eivät sisälly)
Toiminta-aika	noin 2 tuntia ladattavalla akulla

Sverige

Kundtjänst Tel: 0247/445 00
 Fax: 0247/445 09
 E-post: kundtjanst@clasohlson.se

Internet www.clasohlson.se

Post Clas Ohlson AB, 793 85 INSJÖN

Norge

Kundesenter Tlf.: 23 21 40 00
 Faks: 23 21 40 80
 E-post: kundesenter@clasohlson.no

Internett www.clasohlson.no

Post Clas Ohlson AS, Postboks 485 Sentrum, 0105 OSLO

Suomi

Asiakaspalvelu Puh: 020 111 2222
 Faksi: 020 111 2221
 Sähköposti: info@clasohlson.fi

Internet www.clasohlson.fi

Osoite Clas Ohlson Oy, Yrjönkatu 23 A, 00100 HELSINKI

Great Britain

 For consumer contact, please visit
 www.clasohlson.co.uk and click on
 customer service.

Internet www.clasohlson.co.uk

clas ohlson