

Stereo System with iPod Dock

Musikanläggning med iPod-docka

Musikkanlegg med iPod-dockingstasjon

Ministereo, jossa iPod-telakka

**Art.no.**

18-8155

38-3791

Model

Z-789-PM3UCiA-UK

Z-789-PM3UCiA

Ver. 201006

clas ohlson

Stereo System with iPod Dock

Art. no: 18-8155
38-3791

Model: Z-789-PM3UCiA-UK
Z-789-PM3UCiA

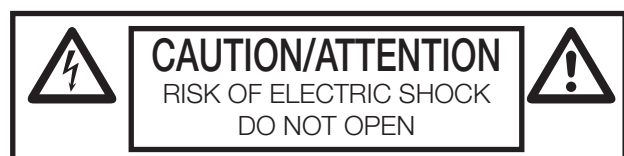
Please read the entire instruction manual before using the product and save it for future reference. We reserve the right for any errors in text or images and any necessary changes made to technical data. If you have any questions regarding technical problems please contact Customer Services.

1. Safety

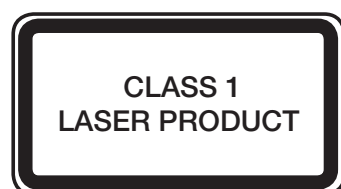
1.1 Safety instructions

- The product should only be repaired by qualified service technicians.
- The product should not be taken apart or modified.
- Do not cover the product. Adequate ventilation with a distance of at least 15 cm between ventilation openings and the surrounding area is necessary to prevent the device from overheating.
- Remove the batteries if the device is not to be used for a long time. This should prevent the batteries from leaking.
- The product should not be taken apart or modified. Certain parts inside the casing carry dangerous currents. Touching these can lead to fires or electric shocks.
- The product is designed for indoor use only.
- Never subject the product to high temperature, dust, heavy vibration, impacts, humidity or moisture.
- Do not place the product where there is a risk of it falling into water or other liquid. Do not place containers with liquid on the product e.g. flower vases, coffee cups, fizzy drink bottles.
- Disconnect the device from the power supply by unplugging it from the wall socket. The device's plug should be easily accessible.
- The mains lead should be checked regularly. Never use the device if the mains lead or plug is damaged.
- The power lead must be changed if damaged. This is to prevent the risk of electric shock or fire and should only be carried out by the manufacturer, qualified service facility or qualified technician.
- Never lay the power lead over hot surfaces or pull it round sharp edges or corners.

1.2 Pay attention to these safety symbols



Warning! Do not open the casing. Certain non-insulated components inside the casing carry dangerous currents. Touching these can lead to fire or electric shock.



CLASS 1 LASER PRODUCT

Warning! Do not open the casing. The product contains invisible laser beams that can cause eye damage. Do not look directly into the laser beam or look directly at it using an optical instrument.

2. Power supply

Mains connection

1. Check that the voltage (V) which is shown on the rating plate on the back of the device is the same as your local electrical power supply (230 V AC, 50 Hz). Contact Customer Services if this is not the case.
2. Connect the mains lead to a wall socket. The player is now ready to be used.
3. Unplug the player from the electrical socket to cut off the power completely. Unplug the device from the wall socket to protect it in case of lightning and thunderstorms.
4. The device does not turn off completely using the power switch. It will go into stand-by when turned off. To turn it off completely you must remove the plug. In standby the display will not be illuminated and only the time display will show.

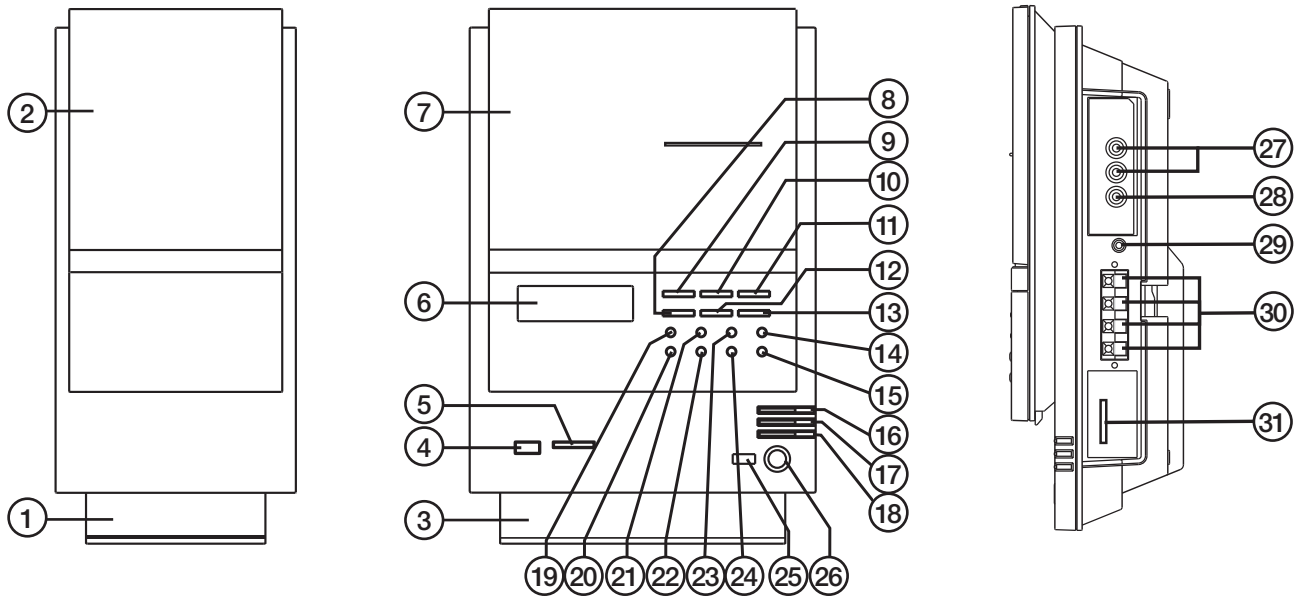
3. Product description

- Stereo System with CD/MP3 player, AM/FM radio and iPod dock
- Compatible with iPod nano/touch
- USB and SD memory card slots
- Displays MP3 file ID3 tags
- Stereo headphone socket
- Line-in socket (2 x RCA), equalizer, clock with timer
- Remote control included
- The device may be either wall mounted or used free-standing

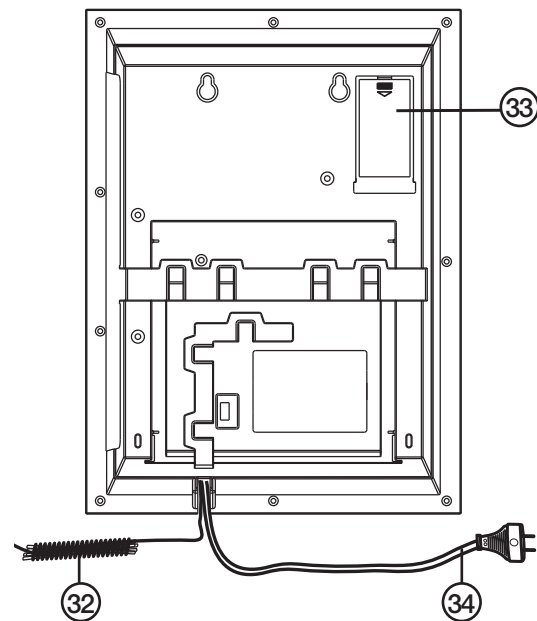
4. Package contents

- Main unit
- 2 speakers
- 3 desk stands
- Remote control
- iPod dock
- 7 iPod adaptors
- Drill-hole template for wall mounting
- Bag of screws and wall plugs
- Instruction manual

5. Buttons and functions



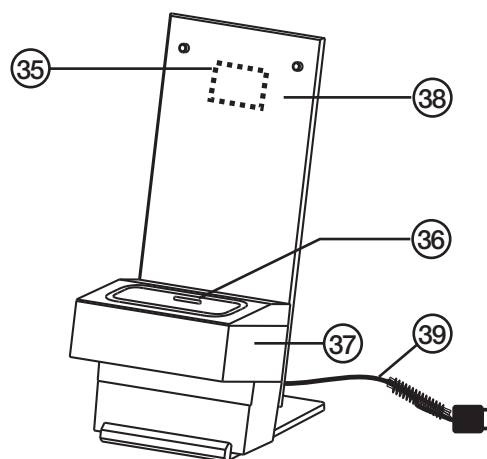
1. Desk stand (for speakers).
2. Speakers (left and right).
3. Desk stand (for main unit).
4. USB memory slot.
5. SD memory card slot.
6. Display (for CD, clock, radio).
7. CD cover.
8. [MENU/PROGRAM] Time display, programmes playlist.
9. [◀◀] BACK/TUNE – Previous, station search, backwards (radio mode).
10. [▶▶] PLAY/PAUSE – Starts or pauses playback.
11. [▶▶▶] NEXT/TUNE + – Next, station search, forwards (radio mode).
12. [■] STOP – Stops playback.
13. [MONO/ST/id3/ENTER] – Mono or stereo (radio mode), displays ID3 information (during MP3 playback).
14. [FUNCTION] Function selector: AUX (external audio source) – TUNER (radio) – iPod – CD – USB – CARD.
15. [BAND/TUNER] – Radio frequency selector: FM or MW (medium wave).
16. [VOL UP] – Increases volume.
17. [VOL DOWN] – Decreases volume.
18. [OPEN/CLOSE] – Opens/closes the CD cover.
19. [TIMER] – Displays or sets timer.
20. [SLEEP] – Activates sleep timer. Settable timer 10-90 min. or off.
21. [REPEAT/RANDOM] – Repeat, random playback.
22. [EQ] Equalizer settings: REPEAT – REPEAT ALL – REPEAT ALBUM – RANDOM.
23. [MEM +/FOLDER+ / UP] – Moves up a folder.



24. [MEM +/FOLDER+ / DOWN] – Moves down a folder.
25. IR sensor for remote control.
26. [ON/OFF] – Power switch.
27. AUX L R Line in.
28. SUB WOOFER OUTPUT – Subwoofer outlet.
29. PHONES – Headphone socket.
30. SPEAKERS – Loudspeaker connection.
31. DOCK iPod dock.
32. FM aerial.
33. Battery compartment (power backup for clock).
34. Mains lead.

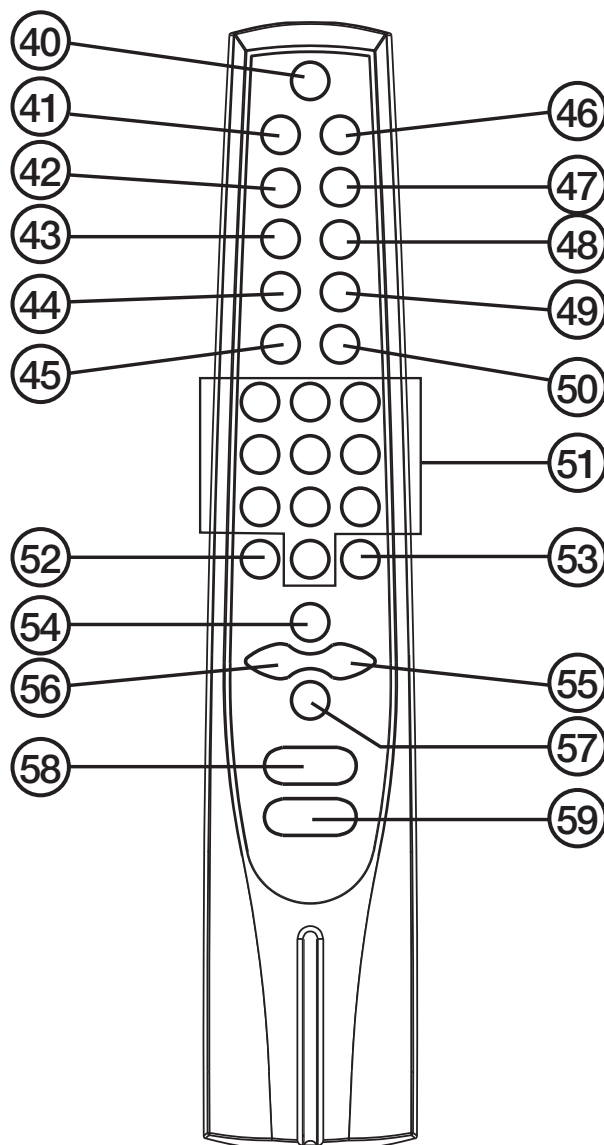
iPod Dock

- 35. iPod connection indicator
- 36. iPod adaptor
- 37. Desk stand for iPod dock
- 38. iPod adaptor stand
- 39. iPod connection cable



Remote control

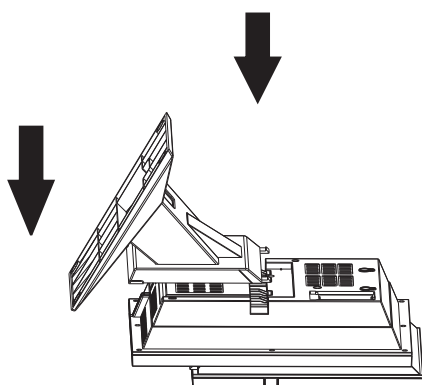
- 40. [POWER] – On/off switch.
- 41. [M/S//MENU/id3] – Mono or stereo (radio mode), displays ID3 information (during MP3 playback), displays iPod menu (iPod mode).
- 42. [TIMER] – Displays or sets timer.
- 43. [EQ] – Equalizer.
- 44. [SLEEP] – Activates sleep timer.
- 45. [MEM DOWN/DOWN] – Moves to previous folder.
- 46. [BAND/ENTER] – Radio wavelength selector: FM or MW (medium wave), confirms selection.
- 47. [INTRO] – Plays the first part of each track.
- 48. [FUNC.] – Function selector.
- 49. [RAN./REPEAT] – Repeat or random playback.
- 50. [MEM UP/UP] – Moves to the next folder.
- 51. [0 – 9] – Numerical keypad.
- 52. [MUTE] – Temporarily turns off volume.
- 53. [PROG/i-RAN] – Programme or display time.
- 54. [▶||] PLAY/PAUSE – Starts or pauses playback.
- 55. [▶▶] NEXT/TUNE UP – Next, station search, forwards (radio mode).
- 56. [◀◀] BACK/TUNE DOWN – Previous, station search, backwards (radio mode).
- 57. [■] STOP – Stops playback.
- 58. [VOLUME ▲] – Increases volume.
- 59. [VOLUME ▼] – Decreases volume.



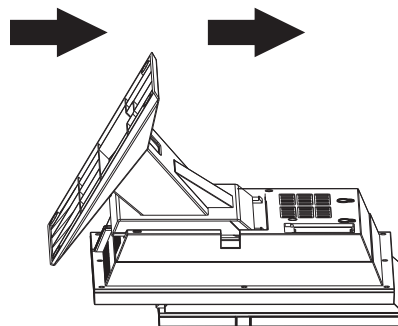
6. Getting started

Quick guide

1. Connect the speakers to SPEAKER (2), left speaker to (L) and right speaker to (R). Connect the black leads to the black connections and the transparent leads to the red connections on the stereo. Place the speakers as wide apart as possible to achieve the best stereo effect.
2. Place the speakers onto their stands or mount them on the wall. Mount speakers onto the stands (1), (3) as follows:



- A. Press the desk stands into the notches on the back of the speakers and main unit.



- B. Push the stand upwards until it clicks into place.

3. Connect the plug to a power point and unwind the FM aerial (32).
4. Insert the batteries into the remote control (batteries not included).
5. Press the power switch (26) (40) to turn on the device.
6. Select the desired function with [FUNCTION] button (14) (48).

6.1 CD player

1. Push [FUNCTION] (14) (48) until CD shows on the display.
2. Press [OPEN/CLOSE] (18) to close the CD tray.
3. Insert a CD or CD with MP3 files with the label facing upwards.
4. Press [▶||] (10)(54) to start playback.
5. Adjust the volume using [VOL+] (16) (58) and [VOL-] (17) (59).
6. Press [▶||] to pause playback, press it again to resume playback.
7. Press [■ STOP] (12) (57) to stop playback.
8. To move either to the previous track or next track use the [◀◀ BACK/TUNE -] (9) (56) and [▶▶ NEXT/TUNE +] (11) (56) buttons.
9. Press [M/S/MENU/id3] (41) or [MONO/ST/id3/ENTER] (13) during playback to display the track's ID3 info (song title, etc.)

6.2 Radio

1. Press [FUNCTION] (14) (48) until TUNER shows on the display.
2. Press [TUNER/BAND] (15) (46) to select FM or AM (medium wave).
3. Press and release [NEXT TUNE UP] (11) (55) to search for a station manually going forwards [BACK/TUNE DOWN] (9) (56) to manually search backwards.
4. Depress [NEXT TUNE UP] (2) (55) to automatically search for a station going forwards or [BACK/TUNE DOWN] (9) (56) to automatically search backwards. The search stops automatically when a station has been found.
5. Adjust the volume using [VOL+] (16) (58) and [VOL-] (17) (59).

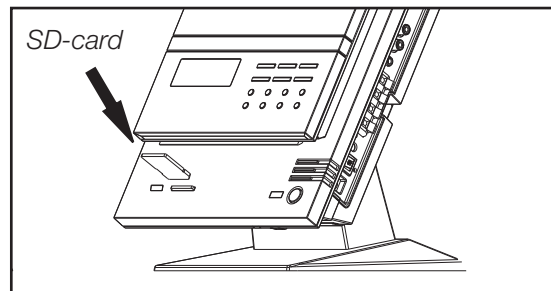
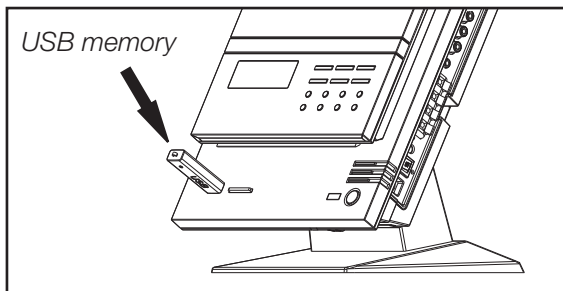
Saving the station to memory

1. Press [PROGRAM] (8)(53) once.
2. Press [MEM +/FOLDER+ / UP] (23) (50) or [MEM-/FOLDER- / DOWN] (24) (45) to select a desired preset (01 – 30).
3. Press [PROGRAM] to confirm.
4. To listen to the preset station: Press [MEM +/FOLDER+ / UP] (23) (50) or [MEM-/FOLDER- / DOWN] (24) (45) to reach the desired preset.
5. To erase an existing preset save new station using the old preset slot.

6.3 USB and SD playback

Note! Always turn off the stereo (or change to CD or TUNER mode) before removing the USB or SD card. Doing otherwise may damage the memory device.

1. Connect a USB memory or a memory card containing MP3 audio files.
2. Press [FUNCTION] (14) (48) until USB or CARD shows on the display.
3. It takes a few moments for the files to be read. The number of MP3 files will then be displayed (max 999 files).
4. Playback of the first MP3 file for the first folder will start automatically.
5. Move to the next file by pressing [▶▶I NEXT/TUNE +] (11) (56).
6. Press [MEM +/FOLDER+ / UP] [MEM UP] (23) (50) to go to the next folder or [MEM-/FOLDER- / DOWN] [MEM DOWN] to go to the previous folder (24) (45).
7. Press [PLAY/PAUSE] (10) (54) to pause playback. Press again to resume playback.
8. Switch between SD and USB memory by pressing [FUNCTION] (14) (48) and then selecting CARD or USB.



6.4 iPod or external audio source (AUX) MP3 file playback

1. Connect your iPod to the iPod dock or an external audio source to AUX IN, L and R (27) (devices must contain MP3 formatted files).
2. Press [FUNCTION] (14) (48) until “iPod” or “AUX” shows on the display.
3. It takes a few moments for the files to be read. The number of MP3 files will then be displayed (max 999 files).
4. Playback of the first MP3 file will start automatically.
5. Move to the next file by pressing [▶▶I NEXT/TUNE +] (11) (56).
6. Press [MEM +/FOLDER+ / UP] [MEM UP] (23) (50) to go to the next folder or [MEM-/FOLDER- / DOWN] [MEM DOWN] to go to the previous folder (24) (45).
7. Pause by pressing [PLAY/PAUSE] (10) (54). Resume playback by pressing again.

6.5 Preparing the iPod dock before initial use

Before using your iPod device your iPod dock must have the correct adaptor fitted. 7 adaptors are included. These are marked: 9, 10, 14, 15, 16, 17 and 18. Find out which one fits your iPod and press it securely into the dock.

Product	Adaptor
iPod classic 80 GB, 120 GB or 160 GB	9 or 10
iPod 5th generation (video) 30 GB, 60 GB or 80 GB	9 or 10
iPod nano 5th generation (video camera) 8 GB or 16 GB	18
iPod touch 1st and 2nd generations	14 or 16
iPod nano 4th generation (video) 8 GB or 16 GB	17

If no suitable adaptor fits your iPod you may also use the adaptor that was included with your iPod.

7. Use

7.1 Setting the time

Time is displayed in standby mode or if you depress [MENU/PROGRAM] (8) or [PROG/i-RAN] (53) for 2 seconds when on. Setting the time:

1. Turn off the stereo (standby mode, un-illuminated display).
2. Depress [MENU/PROGRAM] (8) (53) for about 2 seconds. 12 or 24 will begin flashing.
3. Press [NEXT] or [BACK] to select the desired display mode and press [PROGRAM] to confirm.
4. Press [NEXT] or [BACK] to set the desired time. Use the same procedure for setting the minutes.
5. The time will now be shown in the display (in standby mode).

7.2 Timer function

The stereo has an automatic timer function to turn the device on and off which can be used as a wake-up alarm.

1. Depress [TIMER] (19) (42) until "ON TIME" is shown on the display.
2. When the hour display begins flashing 00, press [I◀◀ BACK/TUNE -] (9) (55) or [▶▶I NEXT/TUNE +] (11) (56) to set the hours. Confirm by pressing [TIMER] (19) (42). Use the same procedure for setting the minutes.
3. "OFF TIME" will be shown in the display. Set the off time for the stereo in same manner.
4. TUNER will show in the display. Confirm by pressing [TIMER] if you want to use the radio as an alarm for the set time. If you wish to use another source select one of the following: TUNER, CARD, USB, CD or iPod by pressing [I◀◀ BACK/TUNE -] (9) or [▶▶I NEXT/TUNE +] (11).
5. VOL 00 will begin flashing. Set the desired volume and confirm by pressing [TIMER].
6. Your entered settings will now show in the display.
7. The display will eventually return to time display and a clock symbol will be displayed notifying you that the stereo is set on timer.
8. If you want to deactivate the timer press [TIMER] to deactivate the function.

7.3 Sleep timer

The stereo has a sleep timer used for automatic turn off after a set time.

Press [SLEEP] (20) (44) the required number of times to reach the desired shut-off time:
90 – 80 – 70 – 60 – 50 – 40 – 30 – 20 – 10 minutes or **OFF** (sleep timer deactivated).

7.4 Equalizer

Press [EQ] (22) (43) the required number of times to select your desired equalizer setting.
 Choose from: **EQ OFF – CLASSIC – ROCK – POP – JAZZ – EQ OFF**, etc.

7.5 Programmed playback

CD

1. Press in [■ STOP] (12) (57) before beginning programming.
2. Press [PROGRAM] (8) (53) to reach programme mode. Track 000 will begin flashing and "Memory" will show in the display. P-01 (playlist 01) is displayed.
3. Press [I◀◀ BACK/TUNE -] (9) (56) or [▶▶I NEXT/TUNE +] (11) (55) to select a track.
4. Press [PROGRAM] to confirm. P-02 (playlist 02) is displayed.
5. Continue with this process for all tracks you wish to save (up to 64 tracks).
6. Press [PLAY] (10) (54) to start the programmed playlist.
7. Stop programmed playback by pressing [■ STOP] twice.

MP3 CDs:

1. Press in [■ STOP] (12) (57) before beginning programming.
2. Press [PROGRAM] (8) (53) to reach programme mode. 000 (folder number on the CD).
3. Press [◀◀ BACK/TUNE -] (9) (56) or [▶▶ NEXT/TUNE +] (11) (55) to select the desired folder.
4. Press [PROGRAM] to confirm the folder.
5. P-01 (playlist 01) is displayed.
5. Press [◀◀ BACK/TUNE -] or [▶▶ NEXT/TUNE +] to select the desired track from the selected folder.
6. Press [PROGRAM] to confirm.
7. Repeat steps 3 to 6 for all tracks you wish to save (up to 64 tracks).
8. Press [▶|| PLAY] (10) (54) to start programmed playback.
9. Stop programmed playback by pressing [■ STOP] (12) (57) twice.

**7.6 Repeated playback**

Press [REPEAT/RANDOM] [RAN./REPEAT] (21) (49) to select the desired repetition pattern:

REPEAT (repeats current track) → **REPEAT ALL** (repeats all tracks) → **REPEAT ALBUM** (repeats entire CD) → **RANDOM** (random playback) → - - (no repetition).

7.7 Use with iPod dock

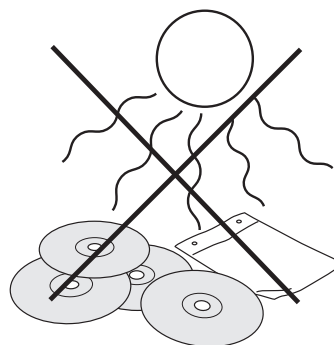
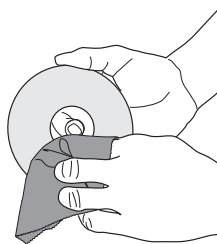
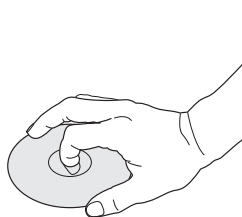
1. Connect your iPod containing MP3 files, to the iPod dock.
2. Press [FUNCTION] (14) (48) until iPod shows on the display. Blue info text will then appear in the iPod dock.
3. It takes a few moments for the files to be read. The number of MP3 files will then be displayed (max 999 files).
4. Playback of the first MP3 file will start automatically.
5. Go to the next file by pressing [▶▶ NEXT/TUNE +].
6. Press [MEM +/FOLDER+ / UP] [MEM UP] to go to the next folder or [MEM-/FOLDER- / DOWN] [MEM DOWN] to go to the previous folder.
7. Pause by pressing [PLAY/PAUSE]. Resume playback by pressing again.

8. Care and maintenance

- Always unplug the device before cleaning it.
- Use a soft, dry cloth to clean the device.
- Do not use cleaning liquids that contain alcohol, ammonia, benzene or abrasives as these can damage the casing.

9. Proper handling of the CD player and CDs

- The lens of the CD player must not be touched!
- Sudden changes in the surrounding temperature can cause condensation and the lens can be covered by a layer of moisture. In such cases it is impossible to play a CD.
- Do not try to dry off the lens. Instead let the device stand in a warm room until the moisture has evaporated.
- Always close the CD cover to keep the CD compartment dust-free. Use a soft, dry cloth to remove dust from the CD compartment if needed.
- If the CD needs to be cleaned, clean it with a soft, lint-free cloth starting from the middle and wiping outwards towards the edge in a straight line. Do not use cleaning liquid as it can damage the CD.
- Never attach stickers to the CD.



10. Disposal

Follow local ordinances when disposing of this product. If you are unsure of how to dispose of this product, please contact your local authority.

11. Specifications

Input voltage:	230 V AC, 50/60 Hz
Power consumption:	32 W
Output power:	2 x 2 W RMS
Batteries:	2 x AAA/R03 (for the remote control), 2 x AAA/R03 (not included) (clock back-up)
Speakers:	2 x 4" bass and 1x 2¼" tweeter

Radio	
Frequency range	AM 540-1600 kHz FM 88-108 MHz

Musikanläggning med iPod-docka

Art. nr 18-8155
38-3791

Modell Z-789-PM3UCiA-UK
Z-789-PM3UCiA

Läs igenom hela bruksanvisningen före användning och spara den sedan för framtida bruk.

Vi reserverar oss för ev. text- och bildfel samt ändringar av tekniska data. Vid tekniska problem eller andra frågor, kontakta vår kundtjänst (se adressuppgifter på baksidan).

Säkerhet

1.1 Säkerhetsföreskrifter

- Produkten får endast repareras av kvalificerad servicepersonal.
- Produkten får inte demonteras eller ändras.
- Täck inte över anläggningen. Tillräcklig ventilation, med ett minsta avstånd på 15 cm mellan ventilationsöppningarna och omgivande ytor, är nödvändig för att förhindra överhettning.
- Tag ur batterierna om enheten inte ska användas under en längre period. Detta för att förhindra att batterierna börjar läcka.
- Produkten får inte demonteras eller ändras. Farlig spänning finns oskyddat på komponenter inuti produktens hölje. Kontakt med dessa kan leda till brand eller ge elektriska stötar.
- Produkten är avsedd endast för inomhusbruk.
- Utsätt aldrig produkten för höga temperaturer, dammig miljö, starka vibrationer, stötar, fukt eller väta.
- Placera inte produkten så att den kan falla ner i vatten eller annan vätska. Ställ inte heller några föremål som innehåller vätska på produkten, t.ex. en blomvas eller läskedryck.
- Bryt strömmen till apparaten genom att dra apparatens stickpropp ur vägguttaget. Apparatus stickpropp måste vara lättåtkomlig.
- Nätsladden bör regelbundet kontrolleras. Använd aldrig apparaten om nätsladden eller stickproppen är skadade.
- Om nätsladden skadats får den, för att undvika risk för elektrisk chock eller brand, endast bytas av tillverkaren, dess serviceställe eller av en kvalificerad yrkesman.
- Placera aldrig nätsladden över heta ytor eller över skarpa kanter och hörn.

1.2 Lägga märke till dessa säkerhetssymboler



Varning! Öppna inte höljet. Farlig spänning finns oskyddat på komponenter inuti produktens hölje. Kontakt med dessa kan leda till brand eller ge elektriska stötar.



KLASS 1 LASERAPPARAT

Varning! Öppna inte höljet. Osynlig laserstrålning som kan orsaka ögonskador finns innanför höljet. Rikta inte blicken in mot strålen och titta inte direkt på den genom optiska instrument.

2. Strömförsörjning

Nätanslutning

1. Kontrollera om spänningen (V), som finns angiven på märkskylten på baksidan av enheten är densamma som den i ditt lokala elnät (230 V AC, 50 Hz). Kontakta vår kundtjänst om så inte är fallet.
2. Anslut nätkabeln till ett eluttag. Spelaren är nu färdig att användas.
3. Dra kontakten ur eluttaget för att helt stänga av strömmen. Dra kontakten ur vägguttaget för att skydda enheten under kraftiga åskväder.
4. Apparaten blir inte helt avstängd med strömbrytaren, den är endera tillslagen eller i standbyläge. I standbyläge är displayen mörk och endast klockan visas.

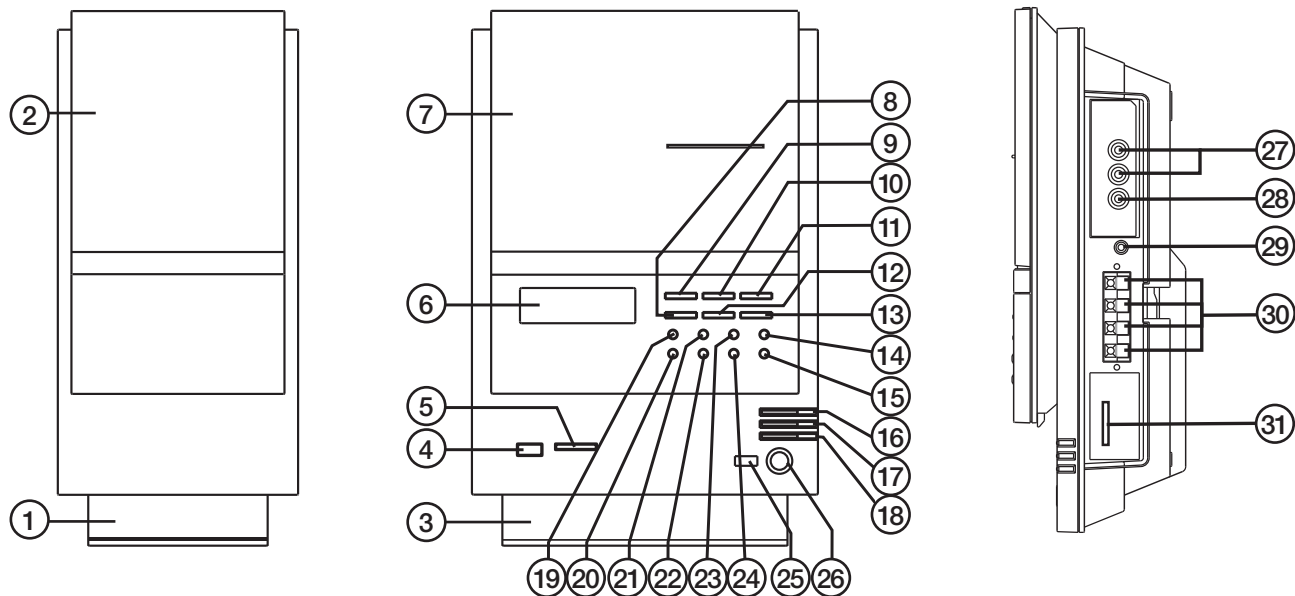
3. Produktbeskrivning

- Musikanläggning med CD/MP3-spelare, AM/FM-radio och docka för iPod.
- Passar iPod nano/touch.
- Anslutning för USB-minne och SD-kort.
- Visar MP3-filernas ID3-tag.
- Uttag för stereohörlurar,
- Lågnivåingång (2 x RCA), equalizer, klocka med timer.
- Fjärrkontroll medföljer.
- Anläggningen kan ställas eller monteras på vägg.

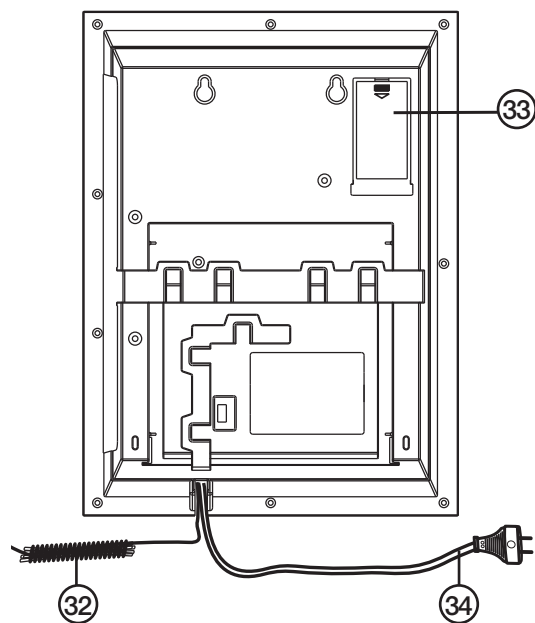
4. Förpackningen innehåller

- Huvudenhet
- 2 st. högtalare
- 3 st. bordsstöd
- Fjärrkontroll
- iPod-docka
- 7 st. adapter till iPod-enhet
- Borrmall för montering på vägg
- 1 påse med skruvar och pluggar
- Bruksanvisning

5. Knappar och funktioner



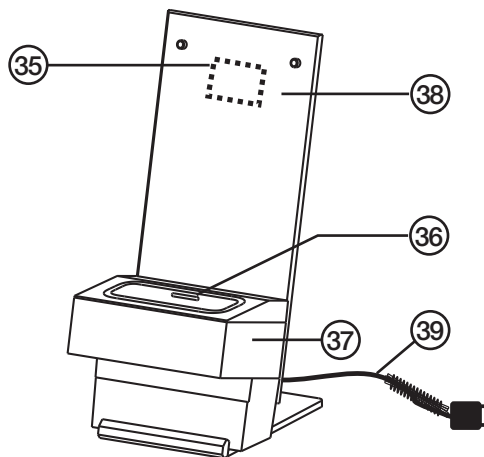
1. Bordsstöd (till högtalare).
2. Högtalare (vänster och höger).
3. Bordsstöd till huvudenheten.
4. Anslutning för USB-minne.
5. Anslutning för SD-minneskort.
6. Display (visar info om CD, klocka, radio).
7. CD-lock.
8. [MENU/PROGRAM] Visa klocka, programmering av spellista.
9. [I◀◀] BACK/TUNE -] – Gå till föregående, frekvenssökning neråt (i radioläge).
10. [▶▶] PLAY/PAUSE] – Starta uppspelning, gör paus i uppspelning.
11. [▶▶▶] NEXT/TUNE +] – Gå till nästa, frekvenssökning uppåt (i radioläge).
12. [■] STOP] – Stoppa uppspelning.
13. [MONO/ST/id3/ENTER] – Mono eller stereo (i radioläge), visa id3-information (vid mp3 uppspelning).
14. [FUNCTION] – Välj önskad funktion: AUX (extern ljudkälla) – TUNER (radio) – iPod – CD – USB - CARD.
15. [BAND/TUNER] – Välj önskad våglängd FM eller MW (mellanvåg) vid radiolyssning.
16. [VOL UP] – Öka volymen.
17. [VOL DOWN] – Minska volymen.
18. [OPEN/CLOSE] – Öppna /stäng CD-locket.
19. [TIMER] – Inställningar för timer eller visa timerinställningar.
20. [SLEEP] – Aktivera sleepläge, ställ in önskad tid till automatisk avstängning 90 till 10 minuter eller avstängd.
21. [REPEAT/RANDOM] – Repetering, slumpvis uppspelning.
22. [EQ] – Equalizer. välj mellan REPEAT – REPEAT ALL – REPEAT ALBUM – RANDOM (slumpvis uppspelning).



23. [MEM +/FOLDER+ / UP] – Gå till nästa mapp.
24. [MEM-/FOLDER- / DOWN] – Gå till föregående mapp.
25. IR Sensor till fjärrkontroll.
26. [ON/OFF] – Strömbrytare.
27. AUX L R – Line in.
28. SUB WOOFER OUTPUT – Utgång för subwoofer.
29. PHONES – Hörlursanslutning.
30. SPEAKERS – Högtalaranslutning.
31. DOCK – iPod-docka.
32. FM-antenn.
33. Batterifack (backupp för klocka).
34. Nätkabel.

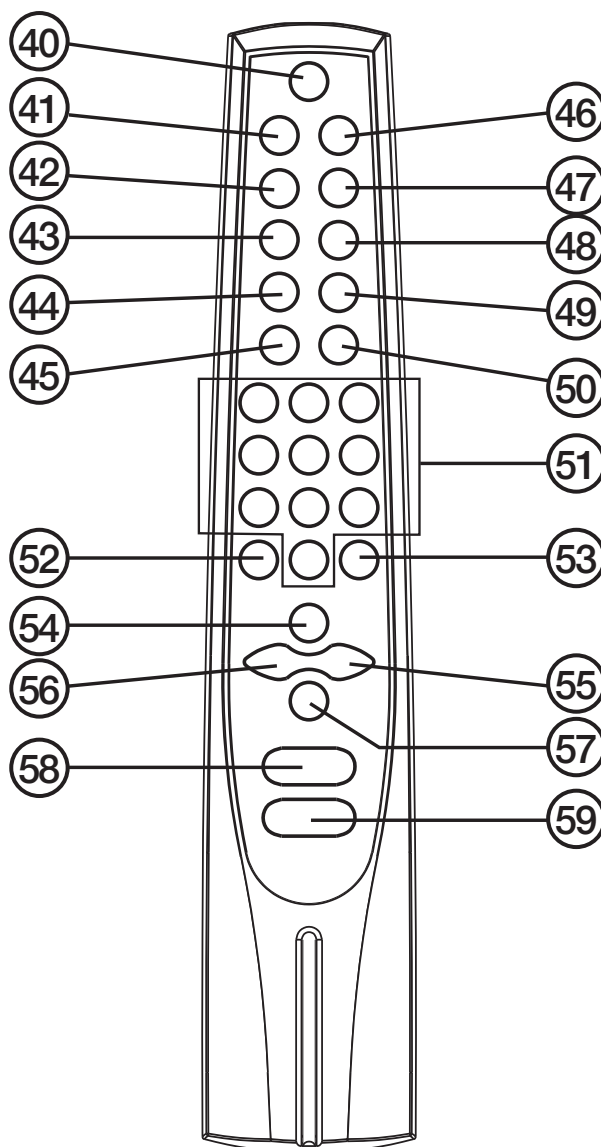
iPod-docka

- 35. Indikator för ansluten iPod.
- 36. Adapter för anpassning till iPod-enhet
- 37. Bordsstöd till iPod-docka
- 38. Fäste för adapter för anpassning till din iPod-enhet.
- 39. Anslutningskabel för iPod



Fjärrkontroll

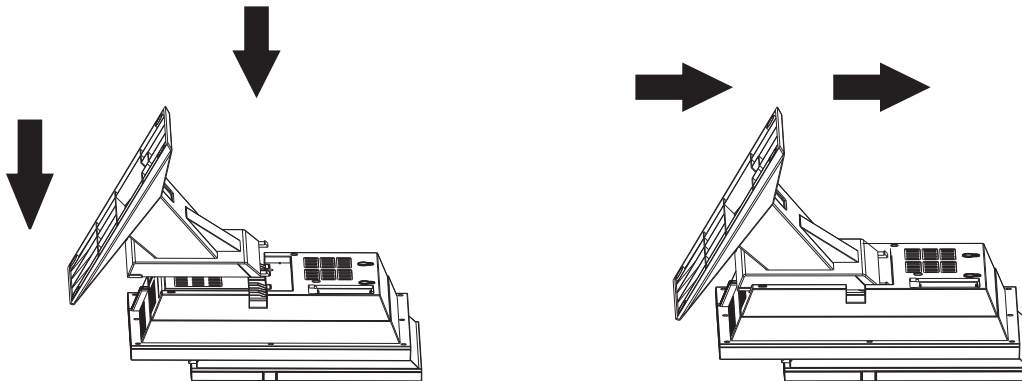
- 40. [POWER] – Strömbrytare.
- 41. [M/S/MENU/id3] – Mono eller stereo (i radioläge), visa id3-information (vid mp3-uppspelning), visa iPod-meny (iPodläge).
- 42. [TIMER] – Inställningar för timer eller visa timerinställningar.
- 43. [EQ] – Equalizer.
- 44. [SLEEP] – Aktivera sleepäge.
- 45. [MEM DOWN/DOWN] – Gå till föregående mapp.
- 46. [BAND/ENTER] – Välj önskad våglängd FM eller MW (mellanvåg) vid radiolyssning, bekräfta val.
- 47. [INTRO] – Lyssna på den första delen av alla musikspår.
- 48. [FUNC.] – Välj funktion för musikanläggningen.
- 49. [RAN./REPEAT] – Repetering och slumpvis uppspelning.
- 50. [MEM UP/UP] – Gå till nästa mapp.
- 51. [0 – 9] – Sifvertanger.
- 52. [MUTE] – Stäng av ljudet tillfälligt.
- 53. [PROG/i-RAN] – Programmering/visar klockan.
- 54. [▶|| PLAY/PAUSE] – Starta uppspelning, gör paus i uppspelning.
- 55. [▶▶| NEXT/TUNE UP] – Gå till nästa, frekvenssökning uppåt (i radioläge).
- 56. [|◀◀ BACK/TUNE DOWN] – Gå till föregående, frekvenssökning neråt (i radioläge).
- 57. [■ STOP] – Stoppa uppspelning.
- 58. [VOLUME ▲] – Öka volymen.
- 59. [VOLUME ▼] – Minska volymen.



6. Att komma igång

Snabbguide

1. Anslut högtalarna till SPEAKER (2), vänster högtalare till (L) och höger till (R). Anslut kablarnas svarta ledare till de svarta anslutningarna och de transparenta ledarna till de röda anslutningarna på musikanläggningen. Placera högtalarna med så stort inbördes avstånd som möjligt för att uppnå bästa möjliga stereoeffekt.
2. Ställ högtalarna på bordsstöden eller häng upp dem på väggen. Montera bordsstöden (1)(3) så här:



- A. Tryck ner bordsstöden i urtagen på baksidan av högtalare och huvudenhet.
- B. Tryck bordsstöden uppåt tills de snäpper fast i låst läge.

3. Anslut stickproppen till ett eluttag och linda ut FM-antennen (32).
4. Sätt i batterier i fjärrkontrollen (batterier medföljer ej).
5. Tryck på strömbrytaren (26)(40) för att starta.
6. Välj önskad funktion med [FUNCTION] (14)(48).

7.1 Uppspelning av CD-skiva

1. Tryck på [FUNCTION] (14)(48) upprepade gånger tills CD visas på displayen.
2. Tryck på [OPEN/CLOSE] (18) för att öppna skivfacket.
3. Lägg i en skiva (CD-Audio eller CD-MP3) med texten utåt.
4. Tryck på [▶||] (10)(54) för att starta uppspelning av CD-skivan.
5. Justera volymen med [VOL+] (16)(58) och [VOL-] (17)(59).
6. Tryck på [▶||] för att göra paus i uppspelningen och tryck igen för att återuppta uppspelningen.
7. Tryck på [■ STOP] (12)(57) för att stoppa uppspelningen.
8. Gå till föregående/nästa spår med [◀◀ BACK/TUNE -] (9)(56) eller [▶▶ NEXT/TUNE +] (11)(56).
9. Tryck på [M/S/MENU/id3] (41) eller [MONO/ST/id3/ENTER] (13) under uppspelning för att visa id3-information (melodinamn etc.)

7.2 Lyssna på radion

1. Tryck på [FUNCTION] (14)(48) upprepade gånger tills TUNER visas på displayen.
2. Tryck på [TUNER/BAND] (15)(46) och välj FM eller AM (mellanvåg).
3. Tryck och släpp [NEXT TUNE UP] (11)(55) för att söka stationer manuellt uppåt eller [BACK/TUNE DOWN] (9)(56) för att söka manuellt neråt.
4. Tryck och håll in [NEXT TUNE UP] i ca 2 sekunder för att starta automatisk sökning av frekvenser uppåt eller [BACK/TUNE DOWN] för att starta sökning neråt. Den automatiska sökningen stoppar automatiskt när en station hittas.
5. Justera volymen med [VOL+] (16)(58) och [VOL-] (17)(59).

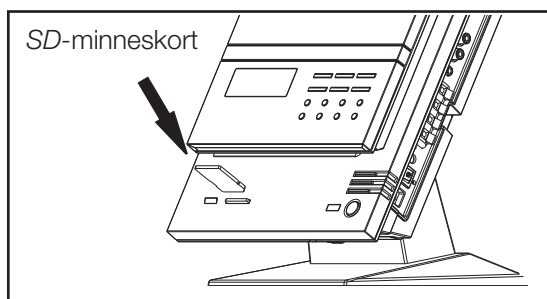
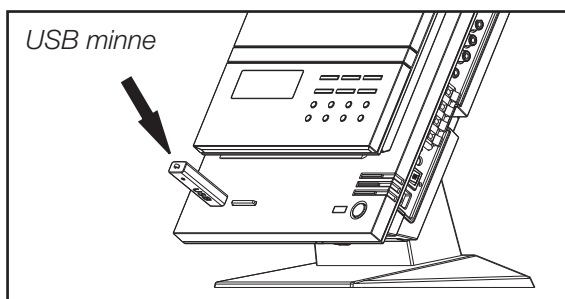
Spara en hittad radiokanal i minnet så här

1. Tryck på [PROGRAM] (8)(53) en gång.
2. Tryck på [MEM +/FOLDER+ / UP] (23)(50) eller [MEM-/FOLDER- / DOWN] (24)(45) för att välja önskad minnesplats (01 – 30) för kanalen som sparas.
3. Tryck på [PROGRAM] för att bekräfta.
4. Om du vill lyssna på den sparade kanalen: Tryck på [MEM +/FOLDER+ / UP] eller [MEM-/FOLDER- / DOWN] för att stega till den önskade kanalen.
5. Radera en sparad station genom att spara en ny på samma minnesnummer.

6.3 Uppspelning av filer från USB-minne eller SD-minneskort

Obs! Stäng alltid av musikanläggningen (eller ändra till CD- eller TUNER-funktion) innan du tar bort USB-minne eller SD-minneskort, annars kan minnet förstöras.

1. Anslut ett USB-minne eller SD-minneskort som innehåller mp3-filer till musikanläggningen.
2. Tryck på [FUNCTION] (14)(48) upprepade gånger tills USB eller CARD visas på displayen.
3. Vänta tills filerna blir inlästa och det totala antalet mp3-filer visas på displayen (max 999 filer).
4. Uppspelningen startar automatiskt med den första mp3-filen i den första mappen.
5. Stega fram till nästa fil med [▶▶I NEXT/TUNE +] (11)(56).
6. Stega till nästa mapp med [MEM +/FOLDER+ / UP] [MEM UP] (23)(50) eller till föregående med [MEM-/FOLDER- / DOWN] [MEM DOWN] (24)(45).
7. Gör paus genom att trycka på [PLAY/PAUSE] (10)(54) återuppta uppspelningen genom att trycka en gång till.
8. Växla mellan SD-minneskort och USB-minne genom att trycka på [FUNCTION] (14)(48) och välj CARD resp. USB.



6.4 Uppspelning av mp3-filer från iPod eller extern ljudkälla (AUX)

1. Anslut en iPod som innehåller mp3-filer i iPod-dockan, eller anslut en extern ljudkälla till AUX IN, L och R (27).
2. Tryck på [FUNCTION] (14)(48) upprepade gånger tills **iPod** eller **AUX** visas på displayen.
3. Vänta tills filerna blir inlästa och totala antalet mp3-filer på displayen (max 999 filer).
4. Uppspelningen startar automatiskt med den första mp3-filen.
5. Stega fram till nästa fil med [▶▶I NEXT/TUNE +] (11)(56).
6. Stega till nästa mapp med [MEM +/FOLDER+ / UP] [MEM UP] (23)(50) eller till föregående med [MEM-/FOLDER- / DOWN] [MEM DOWN] (24)(45).
7. Gör paus genom att trycka på [PLAY/PAUSE] (10)(54). Starta uppspelningen igen genom att trycka på knappen en gång till.

6.5 Förberedelser för iPod-dockan innan användning

Innan du kan använda din iPod-produkt i iPod-dockan måste rätt adapter monteras i dockan, 7 st. olika medföljer. De är märkta: 9, 10, 14, 15, 16, 17 och 18. Ta reda på vilken som passar till din iPod och tryck fast den i dockan.

Produkt	Adapter
iPod classic 80 GB, 120 GB eller 160 GB	9 eller 10
iPod 5:e generationen (video) 30 GB, 60 GB eller 80 GB	9 eller 10
iPod nano 5:e generationen (video kamera) 8 GB eller 16 GB	18
iPod touch 1:a generationen och 2:a generationen	14 eller 16
iPod nano 4:e generationen (video) 8 GB eller 16 GB	17

Om det inte finns adapter med som passar till din produkt kan du använda den adapter som följde med din iPod-produkt när du köpte den.

7. Användning

7.1 Ställ in tiden

Klockan visas i standbyläge eller om du håller in [MENU/PROGRAM] (8) eller [PROG/i-RAN] (53) i 2 sekunder under drift. Ställ in tiden så här:

1. Stäng av musikanläggningen (standbyläge, displayen mörk).
2. Tryck och håll in [[MENU/PROGRAM] (8) (53) i ca 2 sekunder. 12 eller 24 blinkar.
3. Tryck på [NEXT] eller [BACK] för att välja önskat visningsformat och tryck på [PROGRAM] för att bekräfta.
4. Tryck snabbt på [NEXT] eller [BACK] för att ställa in rätt timme. Ställ in minuterna på samma sätt.
5. Tiden kommer nu att visas på displayen (i standbyläge).

7.2 Timerfunktion

Musikanläggningen har timerfunktion för automatiskt till- och frånslag och kan användas till exempel för väckning.

1. Tryck och håll in [TIMER] (19) (42) tills "ON TIME" visas på displayen.
2. Timangivelsen 00 blinkar, tryck på [I◀◀ BACK/TUNE -] (9) (55) eller [▶▶I NEXT/TUNE +] (11)(56) för att ställa in rätt timme. Bekräfta genom att trycka på [TIMER] (19)(42). Ställ in minuterna på samma sätt.
3. "OFF TIME" visas på displayen. Ställ in vilken tid som musikanläggningen ska stängas av på samma sätt.
4. TUNER visas på displayen, bekräfta med [TIMER] om du vill att radion ska starta på den inställda tiden. Vill du starta med någon annan funktion ska du välja: TUNER, CARD, USB, CD eller iPod med [I◀◀ BACK/TUNE -] (9) eller [▶▶I NEXT/TUNE +] (11).
5. "VOL 00" blinkar, ställ in önskad volym och bekräfta med [TIMER].
6. De inställningar som du har gjort kommer nu att visas en gång på displayen.
7. Displayen återgår till normal visning och en klocksymbol visas som indikerar att musikanläggningen är inställd på timerstart.
8. Vill du avaktivera timerstart måste du trycka på [TIMER] en gång till för att stänga av den funktionen.

7.3 Sleepfunktion

Musikanläggningen har sleepfunktion för automatisk avstängning efter viss tid.

1. Tryck på [SLEEP] (20)(44) upprepade gånger för att ställa in önskad avstängningstid, välj mellan: **90 – 80 – 70 – 60 – 50 – 40 – 30 – 20 – 10** minuter eller **OFF** (avstängd sleepfunktion).

7.4 Equalizer

Tryck på [EQ] (22)(43) upprepade gånger för att ställa in önskad ljudinställning. Välj mellan: **EQ OFF – CLASSIC – ROCK – POP – JAZZ – EQ OFF** osv.

7.5 Programmerad uppspelning

Cd-skiva

1. Tryck in [■ STOP](12)(57) innan programmering.
2. Tryck [PROGRAM] (8)(53) för att öppna programmeringsläge. Spår 000 blinkar under "Memory" på displayen. P—01 (programmeringsplats 01) visas.
3. Tryck på [I◀◀ BACK/TUNE -] (9)(56) eller [▶▶I NEXT/TUNE +] (11)(55) för att välja önskat spår på skivan.
4. Tryck på [PROGRAM] för att bekräfta. P—02 (nästa programmeringsplats) visas.
5. Fortsätt lika med alla spår som ska sparas i minnet (upp till 64 spår kan sparas).
6. Tryck på [PLAY] (10)(54) för att starta programmerad uppspelning.
7. Avsluta den programmerade uppspelningen genom att trycka på [■ STOP] två gånger.

Mp3-skiva

1. Tryck in [■ STOP](12)(57) innan programmering.
2. Tryck [PROGRAM] (8)(53) för att öppna programmeringsläge. 000 (mappnummer på skivan)
3. Tryck på [I◀◀ BACK/TUNE -] (9)(56) eller [▶▶I NEXT/TUNE +] (11)(55) för att välja önskad mapp på skivan.
4. Tryck på [PROGRAM] för att bekräfta mappnummer.
5. P- 01 (programmeringsplats 01) visas.
5. Tryck på [I◀◀ BACK/TUNE -] eller [▶▶I NEXT/TUNE +] för att välja önskat spår i den valda mappen.
6. Tryck på [PROGRAM] för att bekräfta.
7. Repetera steg 3 till 6 för alla spår som ska sparas (upp till 64 spår kan sparas).
8. Tryck på [▶II PLAY] (10)(54) för att starta programmerad uppspelning.
9. Avsluta den programmerade uppspelningen genom att trycka på [■ STOP](12)(57) två gånger.



7.6 Repeterad uppspelning

Tryck på [REPEAT/RANDOM] [RAN./REPEAT] (21)(49) för att välja önskad repetitionsuppspelning:

REPEAT (repetera pågående spar) → **REPEAT ALL** (repetera alla) → **REPEAT ALBUM** (repetera hela skivan) → **RANDOM** (slumpvis uppspelning) → -- (ingen repetition).

7.7 Användning med iPod-docka

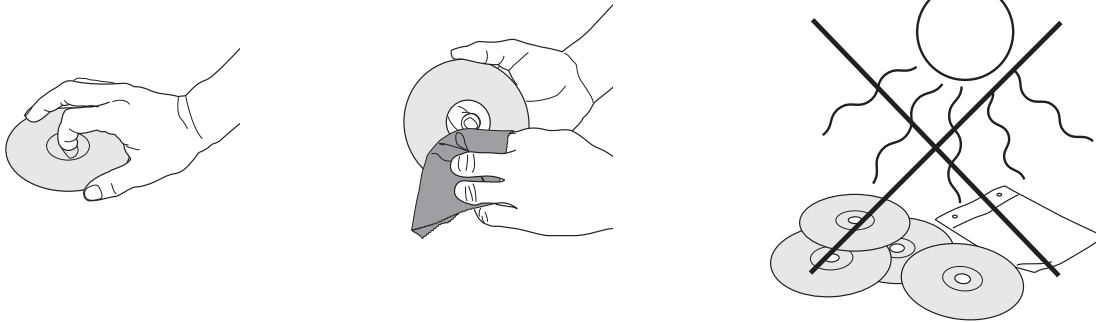
1. Anslut en iPod som innehåller MP3-filer iPod-dockan.
2. Tryck på [FUNCTION] (14)(48) upprepade gånger tills iPod visas på displayen. Blå informationstext visas på iPod-dockan.
3. Vänta tills filerna blir inlästa och totala antalet mp3-filer visas på displayen (max 999 filer).
4. Uppspelningen startar automatiskt med den första mp3-filen.
5. Stega fram till nästa fil med [▶▶I NEXT/TUNE +].
6. Stega till nästa mapp med [MEM +/FOLDER+ / UP] [MEM UP] eller till föregående med [MEM-/FOLDER- / DOWN] [MEM DOWN].
7. Gör paus genom att trycka på [PLAY/PAUSE]. Återuppta uppspelningen genom att trycka en gång till.

8. Skötsel och underhåll

- Dra alltid ur stickproppen innan rengöring.
- Använd en mjuk, torr trasa för att rengöra enheten.
- Använd inte rengöringsmedel som innehåller alkohol, ammoniak, bensen eller slipmedel, eftersom det kan skada höljet.

9. Hantering av CD-spelare och CD-skivor

- CD-spelarens lins får inte vidröras.
- Plötsliga förändringar i den omgivande temperaturen kan orsaka kondens och göra att linsen i din CD-spelare täcks av imma. Det är då inte möjligt att spela CD-skivor.
- Försök inte torka av linsen, utan låt anläggningen stå i ett varmt rum tills fukten har avdunstat.
- Stäng alltid CD-luckan för att hålla CD-facket dammfritt. Använd en mjuk, torr trasa för att torka bort damm från CD-facket om det behövs.
- Om CD-skivan behöver rengöras, torka den med en mjuk, luddfri trasa från mitten ut mot kanten i rak linje. Använd inte rengöringsmedel, eftersom det kan skada skivan.
- Fäst aldrig några klisterlappar på CD-skivan.



10. Avfallshantering

När du ska göra dig av med produkten ska detta ske enligt lokala föreskrifter. Är du osäker på hur du ska gå tillväga, kontakta din kommun.

12. Specifikationer

Drivspänning:	230 V AC, 50/60 Hz
Effektförbrukning:	32 W
Uteffekt:	2 x 2 W RMS
Batterier:	2 st. AAA/R03 (till fjärrkontroll), 2 st. AAA/R03 (backupp till klocka) (medföljer ej)
Högtalare:	2 stycken med 4" bas och 2¼" diskant

Radio

Frekvensområde:	AM 540 – 1600 KHz FM 88 – 108 MHz
-----------------	--------------------------------------

Musikkanlegg med iPod-dockingstasjon

Art. nr 18-8155 Modell Z-789-PM3UCiA-UK
38-3791 Z-789-PM3UCiA

Les bruksanvisningen nøye før produktet tas i bruk, og ta vare på den for framtidig bruk.

Vi reserverer oss mot ev. tekst- og bildefeil, samt forandringer av tekniske data. Ved tekniske problemer eller spørsmål, ta kontakt med vårt kundesenter. (Se opplysninger om kundesenteret i denne bruksanvisningen).

1. Sikkerhet

1.1 Sikkerhetsinstruksjoner

- Produktet må kun repareres av kyndig servicepersonell.
- Produktet må ikke demonteres eller endres på.
- Produktet må ikke tildekkes. Sørg for tilstrekkelig ventilasjon rundt anlegget. En minsteavstand på 15 cm mellom ventilasjonsåpningene og tilstøtende flater er nødvendig for å forhindre at anlegget blir overopphetet.
- Ta ut batteriene dersom produktet ikke skal brukes over tid. Dette for å hindre at batteriene skal begynne å lekke.
- Produktet må ikke demonteres eller endres på. Farlig spenning ligger ubeskyttet på visse komponenter under produktets deksel. Kontakt med disse kan føre til brann eller gi elektriske støt.
- Produktet er kun beregnet for innendørs bruk.
- Utsett aldri produktet for høye temperaturer, fuktighet, støvete miljøer, sterke vibrasjoner eller støt.
- Plasser ikke produktet slik at det kan komme i kontakt med vann eller annen væske. Plasser aldri produktet nær gjenstander som kan forårsake at vann eller annen væske skylles over produktet.
- Produktet gjøres strømløst ved at støpselet trekkes ut av strømuttaket. Apparatets støpsel må være lett tilgjengelig.
- Strømledningen bør kontrolleres regelmessig. Bruk ikke apparatet dersom strømledning eller støpsel er skadet.
- Dersom strømledningen er skadet skal den, for å unngå risiko for elektrisk støt eller brann, kun byttes av produsenten, serviceverksted eller av en fagperson.
- Plasser aldri strømledningen på varme flater eller rundt skarpe kanter eller hjørner.

1.2 Legg merke til følgende sikkerhetssymboler



Advarsel! Dekselet må ikke åpnes. Farlig spenning ligger ubeskyttet på visse komponenter under produktets deksel. Kontakt med disse kan føre til brann eller gi elektriske støt.



KLASSE 1 LASERAPPARAT

Advarsel! Dekselet må ikke åpnes. Usynlig laserstråler som kan føre til øyeskader. Vend ikke blikket mot strålen, og se ikke rett på den gjennom optiske instrumenter.

2. Strømforsyning

Strømtilkobling

1. Kontroller om spenningen (V), som er angitt på merkeskiltet på baksiden av apparatet, er den samme som i ditt lokale strømnnett (230 V AC, 50 Hz). Hvis dette ikke er tilfelle, ta kontakt med kundetjenesten.
2. Koble strømkabelen til et strømuttak. Anlegget er nå klart til bruk.
3. Når strømmen skal kobles helt fra tekkes støpselet ut fra strømuttaket. Trekk støpselet ut av strømuttaket for å beskytte anlegget ditt ved kraftig tordenvær.
4. Anlegget skrus ikke helt av med strømbryteren, men vil bli stående i standby-modus. I standby-modus er displayet mørkt og det er kun klokken som vises.

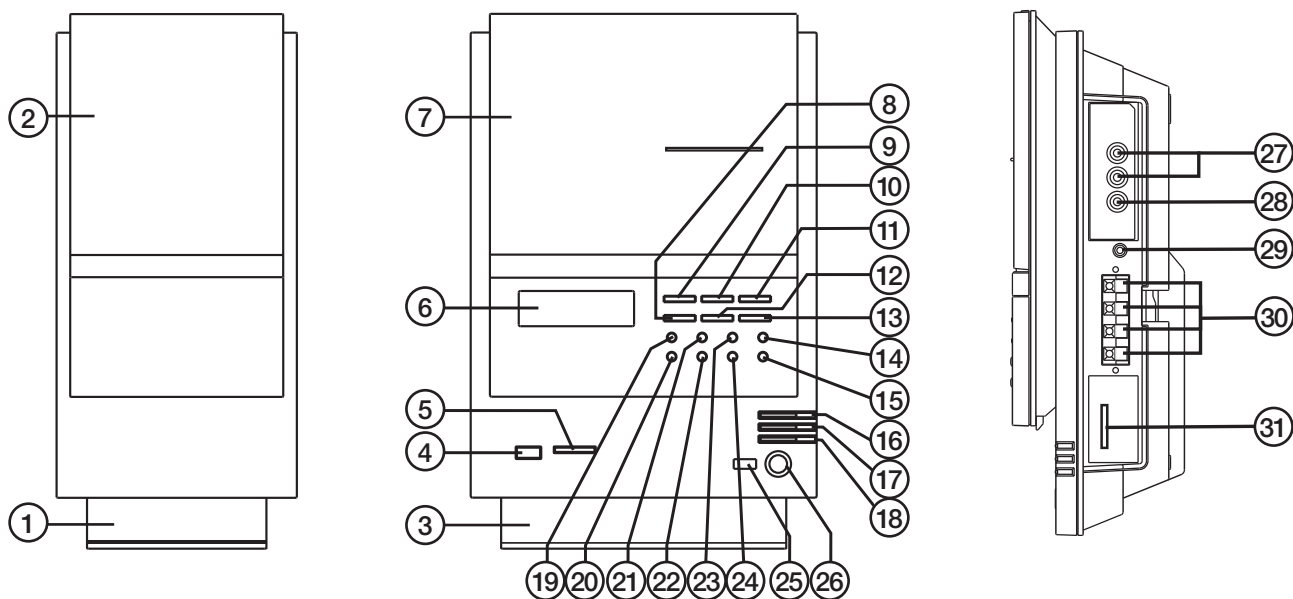
3. Produktbeskrivelse

- Musikkanslegg med cd/mp3-spiller, AM/FM-radio og dockingstasjon for iPod.
- Beregnet for iPod nano/touch.
- Tilkobling for usb-minne og SD-minnekort
- Leser mp3-filenes ID3-tag.
- Uttak for stereohodetelefoner.
- Lavnivåinngang (2 x RCA), equalizer og klokke med tidsur (timer).
- Fjernkontroll følger med.
- Anlegget kan stå på et stabilt underlag eller det kan veggmonteres.

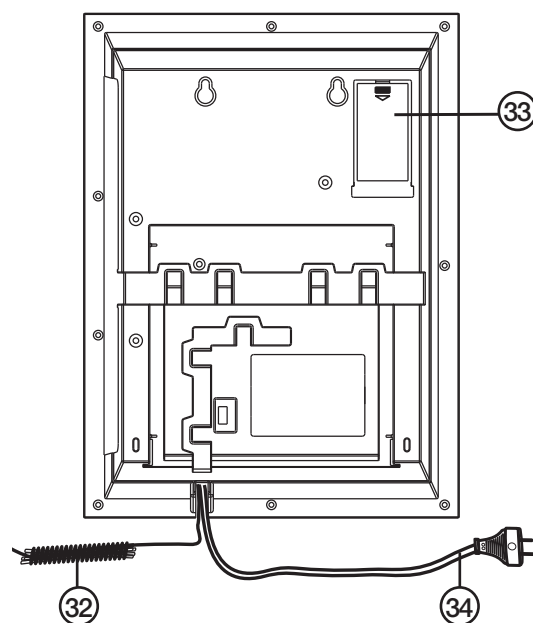
4. Forpakningen inneholder

- Hovedenhet
- 2 stk. høyttalere
- 3 stk. bordstøtter
- Fjernkontroll
- iPod-dockingstasjon
- 7 stk. adaptere til iPod-enheten
- Boremal for boring ved veggmontering
- Skruer og plugg
- Bruksanvisning

5. Knapper og funksjoner



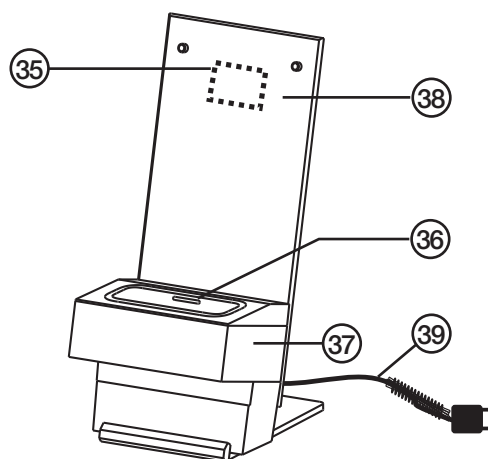
1. Bordstøtte (for høyttalere).
2. Høyttaler – Venstre og høyre.
3. Bordstøtte til hovedenhet.
4. Tilkoblingspunkt for usb-minne.
5. Tilkoblingspunkt for minnekort (SD).
6. Display (viser informasjon om CD, klokke, radio).
7. CD-lokk.
8. [MENU/PROGRAM] – Vise klokke/programmering av spilliste.
9. [◀◀ BACK/TUNE -] – Gå til foregående, frekvenssøking nedover (i radiomodus).
10. [▶▶ PLAY/PAUSE] – Starte avspillingen eller ta en pause i spillingen.
11. [▶▶ NEXT/TUNE +] – Gå til neste, frekvenssøking oppover (i radiomodus).
12. [■ STOP] – Stopp avspilling.
13. [MONO/ST/id3/ENTER] – Mono eller stereo (i radiomodus), vise id3-informasjon (ved mp3 avspilling).
14. [FUNCTION] – Velg ønsket funksjon: AUX (ekstern lydkilde) – TUNER (radio) – iPod – CD – USB - CARD.
15. [BAND/TUNER] – Velg ønsket bølglengde FM eller MW (mellombølge) ved lytting til radio.
16. [VOL UP] – Heve volumet.
17. [VOL DOWN] – Senke volumet.
18. [OPEN/CLOSE] – Åpne/stenge cd-lokket.
19. [TIMER] – Innstillinger for timer eller vise timerinnstillinger.
20. [SLEEP] – Aktivere innsovningsmodus. Stille inn ønsket til for automatisk avstenging, 10 – 90 minutter eller avstengt.
21. [REPEAT/RANDOM] – Repetering, tilfeldig avspilling.
22. [EQ] Equalizer velg mellom – REPEAT – REPEAT ALL – REPEAT ALBUM – RANDOM (tilfeldig avspilling).
23. [MEM +/FOLDER+ / UP] – Gå til neste mappe.



24. [MEM-/FOLDER- / DOWN] – Gå til foregående mappe.
25. IR-sensor for fjernkontroll.
26. [ON/OFF] – Strømbryter.
27. AUX L R – Line in.
28. SUB WOOFER OUTPUT – Utgang for Subwoofer.
29. PHONES – Uttak for headset.
30. SPEAKERS – Uttak for høyttalere.
31. DOCK iPod-dockingstasjon.
32. FM-antenne.
33. Batteriholder (backup for klokke).
34. Strømkabel.

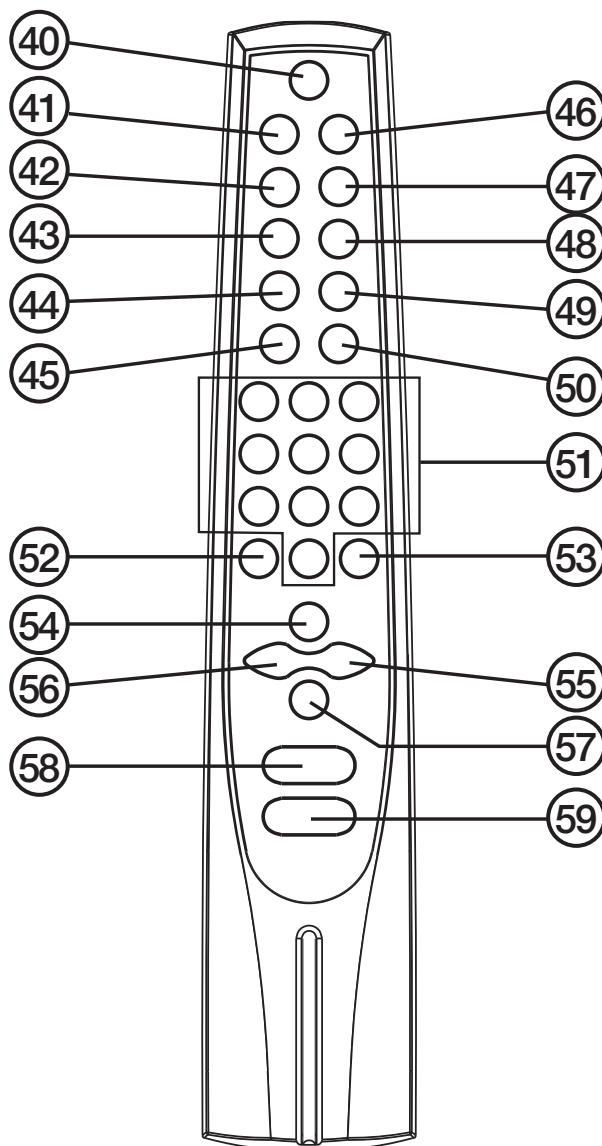
Dockingstasjon

- 35. Indikator for iPod-tilkobling.
- 36. Adapter for tilpassing til iPod-enhet.
- 37. Bordstøtte til iPod-dockingstasjon.
- 38. Feste for adapter for tilpassing til iPod-enhet.
- 39. Tilkoblingskabel for iPod



Fjernkontroll

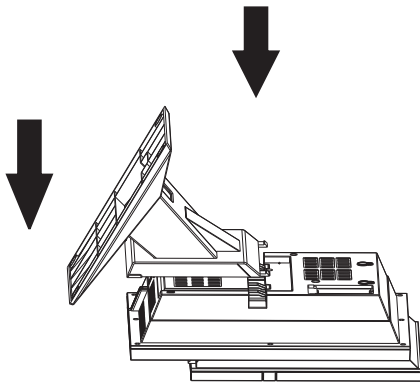
- 40. [POWER] – Strømbryter
- 41. [M/S/MENU/id3] – Mono eller stereo (i radiomodus), vise id3-informasjon (ved mp3 avspilling), vise iPod-meny (iPod-modus)
- 42. [TIMER] – Innstillinger for timer eller vise timerinnstillinger
- 43. [EQ] – Equalizer
- 44. [SLEEP] – Aktivere sleep-funksjon.
- 45. [MEM DOWN / DOWN] – Gå til foregående mappe
- 46. [BAND/ENTER] – Velg ønsket bølgelengde FM eller MW (mellombølge) ved lytting til radio, bekreft valget.
- 47. [INTRO] – Høre på starten på alle musikksporene
- 48. [FUNC.] – Velg funksjon for anlegget
- 49. [RAN./REPEAT] – Repetisjon, tilfeldig avspilling
- 50. [MEM UP / UP] – Gå til neste mappe
- 51. [0 – 9] – Taltaster
- 52. [MUTE] – Stenger lyden
- 53. [PROG/i-RAN] – Programmering/viser klokken
- 54. [▶|| PLAY/PAUSE] – Starte avspillingen eller ta en pause i spillingen
- 55. [▶▶| NEXT/TUNE UP] Gå til neste, frekvenssøking oppover (i radiomodus).
- 56. [◀◀| BACK/TUNE DOWN] Gå til foregående, frekvenssøking nedover (i radiomodus)
- 57. [■ STOP] Stopp avspilling
- 58. [VOLUME ▲] Heve volumet
- 59. [VOLUME ▼] Senke volumet



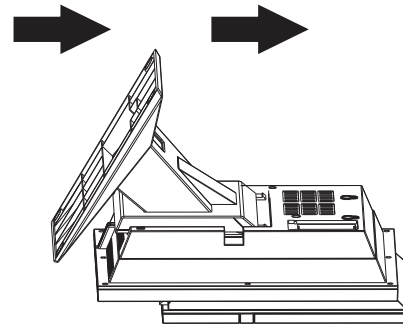
6. Å komme i gang

Hurtigguide

1. Høytalerne kobles til SPEAKER (2), venstre høytaler til (L) og høyre til (R). Kablenes sorte ledere kobles til sorte koblingspunkter og de transparente lederne til de røde tilkoblingspunktene på anlegget. Plasser høytalerne med så stor innbyrdes avstand som mulig for å oppnå best mulig stereoeffekt.
2. Høytalerne plasseres i bordstøtten eller de kan henges opp på veggen. Monter bordstøttene slik:



A. Trykk bordstøttene ned i uttaket på baksiden av høytalerne og hovedenheten.



B. Trykk bordstøtten oppover til de snepper fast i låst posisjon.

3. Støpselet plugges til et strømuttak og FM-antennen (32) vikles ut.
4. Sett batteriene i fjernkontrollen (batterier medfølger ikke).
5. Trykk på strømbryteren (26) (40) for å starte.
6. Velg ønsket funksjon med [FUNCTION] (14)(48).

6.1 Avspilling av CD-plate

1. Trykk på [FUNCTION] (14)(48) gjentatte ganger til CD vises i displayet.
2. Trykk på [OPEN/CLOSE] (18) for å åpne CD-luken.
3. Legg i en plate (CD-Audio eller CD-MP3) med teksten oppover.
4. Trykk på [▶||] (10)(54) for å starte avspillingen av CD-platen.
5. Juster volumet med [VOL+] (16)(58) og [VOL-] (17)(59).
6. Trykk på [▶||] for å ta pause i avspillingen og trykk igjen for å gjenoppta spillingen.
7. Trykk på [STOP] (12)(57) for å stoppe avspillingen.
8. Gå til foregående/neste spor med [◀◀ BACK/TUNE -] (9)(56) eller [▶▶ NEXT/TUNE +] (11)(56).
9. Trykk på [M/S/MENU/id3] (41) eller [MONO/ST/id3/ENTER] (13) under avspilling for å vise id3-informasjon (navn på låt etc.)

6.2 Lytte på radio

1. Trykk på [FUNCTION] (14)(48) gjentatte ganger til TUNER vises i displayet.
2. Trykk på [TUNER/BAND] (15)(46) og velg mellom FM og AM (mellombølge).
3. Trykk og slipp [NEXT TUNE UP] (11)(55) for å søke stasjoner manuelt oppover eller [BACK/TUNE DOWN] (9)(56) for nedover.
4. Trykk og hold [NEXT TUNE UP] inne i ca. 2 sekunder for å starte automatisk søkning av frekvenser oppover eller [BACK/TUNE DOWN] for å starte søk nedover. Det automatiske søket stopper automatisk når en stasjon lokaliseres.
5. Juster volumet med [VOL+] (16)(58) og [VOL-] (17)(59).

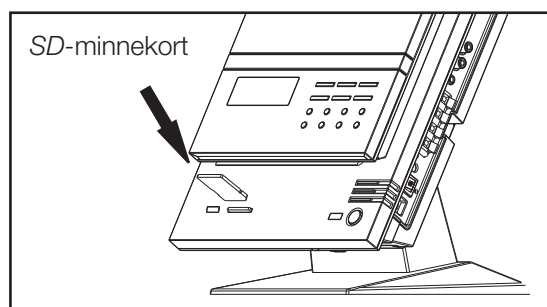
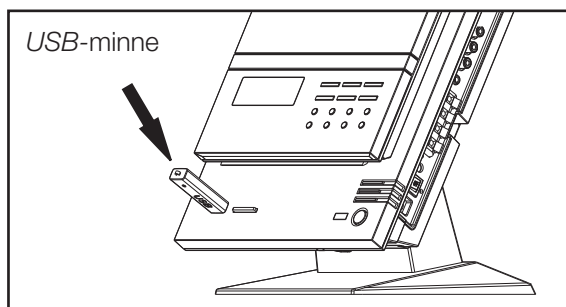
Hvis man ønsker å lagre en radiokanal, gjør slik:

1. Trykk på [Program] (8)(53) en gang.
2. Trykk på [MEM +/FOLDER+ / UP] (23)(50) eller [MEM-/FOLDER- / DOWN] (24)(45) for å velge ønsket lagringsplass (01 – 30).
3. Trykk på [PROGRAM] for å bekrefte.
4. Når man skal lytte på den lagrede kanalen, gjør slik: Trykk på [MEM +/FOLDER+ / UP] eller [MEM-/FOLDER- / DOWN] for å gå til ønsket kanal.
5. Lagrede kanaler slettes ved å lagre en ny over den gamle (på samme lagringsplass).

6.3 Avspilling av filer fra USB-minne eller SD-minnekort.

Obs! Skru alltid av anlegget (eller de andre tilkoblede mediefunksjonene) før du tar ut usb-minne eller sd-minnekortet. Hvis ikke kan minnekortet bli ødelagt.

1. Et USB-minne eller SD-minnekort som inneholder mp3-filer kobles til anlegget.
2. Trykk på [FUNCTION] (14)(48) gjentatte ganger til USB eller CARD vises i displayet.
3. Vent til filene blir lest inn og det totale antall mp3-filer vises på displayet (maks. 999 filer).
4. Avspillingen starter automatisk med den første mp3-filen i den første mappen.
5. Gå fram til neste fil med [▶▶| NEXT/TUNE +] (11)(56).
6. Gå til neste mappe med [MEM +/FOLDER+ / UP] [MEM UP] (23)(50) eller til foregående med [MEM-/FOLDER- / DOWN] [MEM DOWN] (24)(45).
7. Pause tas ved å trykke på [PLAY/PAUSE] (10)(54). Trykk en gang til for å starte igjen.
8. Skift mellom SD-minnekort og USB-minne ved å trykke på [FUNCTION] (14)(48) og velg CARD resp. USB.



6.4 Avspilling av mp3-filer fra iPod eller ekstern lydkilde (AUX)

1. Plasser en iPod med mp3-filer i iPod-dockingstasjonen, eller koble en ekstern lydkilde til AUX IN, L og R (27).
2. Trykk på [FUNCTION] (14)(48) gjentatte ganger til iPod eller AUX vises i displayet.
3. Vent til filene blir lest inn og det totale antall mp3-filer vises på displayet (maks. 999 filer).
4. Avspillingen starter automatisk med den første mp3-filen.
5. Gå fram til neste fil med [▶▶| NEXT/TUNE +] (11)(56).
6. Gå til neste mappe med [MEM +/FOLDER+ / UP] [MEM UP] (23)(50) eller til foregående med [MEM-/FOLDER- / DOWN] [MEM DOWN] (24)(45).
7. Ta pause ved å trykke på [PLAY/PAUSE] (10)(54). Start avspillingen igjen ved å trykke på knappen en gang til.

6.5 Forberedelse for iPod-docking før bruk

Før nye iPod-produkter tas i bruk i dockingstasjonen må riktig adapter monteres i dockingstasjonen. 7 stk. forskjellige adaptere medfølger. De er merket slik: 9,10, 14, 15, 16, 17 og 18. Finn ut hvilken som passer din iPod og trykk den fast i stasjonen.

Produkt	Adapter
iPod classic 80 GB, 120 GB eller 160 GB	9 eller 10
iPod 5. generasjon (video) 30 GB, 60 GB eller 80 GB	9 eller 10
iPod nano 5. generasjon (video kamera) 8 GB eller 16 GB	18
iPod touch 1.generasjon og 2. generasjon	14 eller 16
iPod nano 4. generasjon (video) 8 GB eller 16 GB	17

Hvis du ikke finner passende adapter her, kan du benytte adapteren som fulgte med iPoden, da den ble kjøpt.

7. Bruk

7.1 Still inn tiden

Klokken vises i standby-modus og når du holder [MENU/PROGRAM] (8) eller [PROG/i-RAN] (53) inne i 2 sekunder under drift. Still inn klokken slik:

1. Skru av musikkanlegget (standby-modus - mørkt display).
2. Trykk og hold inne [MENU/PROGRAM] (8) (53) i ca. 2 sekunder. 12 eller 24 blinker.
3. Trykk på [NEXT] eller [BACK] for å velge ønsket visningsformat og trykk på [PROGRAM] for å bekrefte.
4. Trykk raskt på [NEXT] eller [BACK] for å stille inn riktig time. Still inn minuttene på samme måte.
5. Klokkeslettet vil nå vises på displayet (i standby-modus).

7.2 Timerfunksjon

Anlegget har timerfunksjon for automatisk til- og fraslag, og kan brukes til f.eks. vekking.

1. Trykk og hold inne [TIMER] (19) (42) til "ON TIME" vises i displayet.
2. Timeangivelsen 00 blinker. Trykk på [I◀◀ BACK/TUNE -] (9)(55) eller [▶▶I NEXT/TUNE +] (11)(56) for å stille inn ønsket time. Bekreft ved å trykke på [TIMER] (19)(42). Still inn minutter på samme måte.
3. Displayet viser "OFF TIME". Still inn hvilken tid anlegget skal skrues av på samme måte.
4. TUNER vises på displayet. Bekreft med [TIMER] hvis du vil at radioen skal starte til den innstilte tiden. Dersom man ønsker å starte med en annen funksjon kan man velge: TUNER, CARD, USB, CD eller iPod med [I◀◀ BACK/TUNE -] (9) eller [▶▶I NEXT/TUNE +] (11).
5. VOL 00 blinker. Still inn ønsket volum og bekreft med [TIMER].
6. Innstillingene vil nå vises en gang på displayet.
7. Displayet går tilbake til normalvisning og et klokkesymbol vises for å indikere av anlegget er innstilt på timerstart.
8. Når timeren skal deaktiveres, trykk en gang på [TIMER].

7.3 Sleepfunksjonen

Musikkanlegget har en sleep-funksjon for automatisk avstenging etter ønsket tid.

Trykk på [SLEEP] (20)(44) gjentatte ganger for å stille inn ønsket tid. Velg mellom:

90 – 80 – 70 – 60 – 50 – 40 – 30 – 20 – 10 minutter eller **OFF** (deaktivert sleep-funksjon).

7.4 Equalizer

Trykk på [EQ] (22)(43) gjentatte ganger for å stille inn ønsket lydbilde.

Velg mellom: **EQ OFF – CLASSIC – ROCK – POP – JAZZ – EQ – OFF** osv.

7.5 Programmert avspilling

Cd-plate

1. Trykk inn [■ STOP](12)(57) før programmering.
2. Trykk [PROGRAM] (8)(53) for å åpne programmeringsmodus. Spor 000 blinker under "Memory" på displayet. P–01 (programmeringsplass 01) vises.
3. Trykk på [I◀◀ BACK/TUNE -] (9)(56) eller [▶▶I NEXT/TUNE +] (11)(55) for å velge ønsket spor på platen.
4. Trykk på [PROGRAM] for å bekrefte. P–02 (neste programmeringsplass) vises.
5. Fortsett slik til alle ønskede lagringsplasser er fylt opp (maks. 64 spor kan lagres).
6. Trykk på [PLAY] (10)(54) for å starte programmert avspilling.
7. Avslutt den programmerte avspillingen ved å trykke to ganger på [■ STOP].

Mp3-plate

1. Trykk inn [■ STOP](12)(57) før programmering.
2. Trykk [PROGRAM] (8)(53) for å åpne programmeringsmodus. 000 (mappennummer på platen)
3. Trykk på [I◀◀ BACK/TUNE -] (9)(56) eller [▶▶I NEXT/TUNE +] (11)(55) for å velge ønsket mappe på platen.
4. Trykk på [PROGRAM] for å bekrefte.
5. P—01 (programmeringsplass 01) vises.
5. Trykk på [I◀◀ BACK/TUNE -] eller [▶▶I NEXT/TUNE +] for å velge ønsket spor i den valgte mappen.
6. Trykk på [PROGRAM] for å bekrefte.
7. Repeter tinn 3 til 6 for alle spor som skal lagres (inntil 64 spor kan lagres).
8. Trykk på [▶▶I PLAY] (10)(54) for å starte programmert avspilling.
9. Avslutt den programmerte avspillingen ved å trykke to ganger på [■ STOP] (12)(57).



7.6 Repetert avspilling

Trykk på [REPEAT/RANDOM] [RAN./REPEAT] (21)(49) for å velge ønsket repetisjonsavspilling:

REPEAT (repetere pågående spor) → **REPEAT ALL** (repetere alle) → **REPEAT ALBUM** (repetere hele platen)
→ **RANDOM** (avspilling i tilfeldig rekkefølge) → -- (ingen repetisjon).

7.7 Bruk med iPod-dockingstasjon

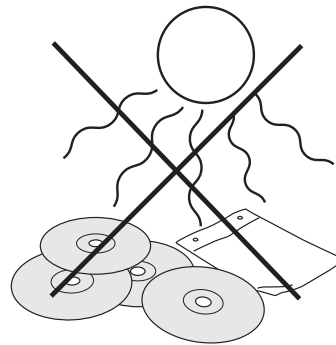
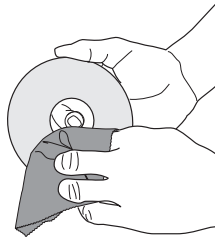
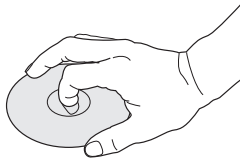
1. Koble en iPod som har mp3-filer til dockingstasjonen.
2. Trykk på [FUNCTION] (14)(48) gjentatte ganger til iPod vises i displayet. iPod-dockingstasjonen viser blå informasjonstekst.
3. Vent til filene blir lest inn og det totale antall mp3-filer vises på displayet (maks. 999 filer).
4. Avspillingen starter automatisk med den første mp3-filen.
5. Gå fram til neste fil med [▶▶I NEXT/TUNE +].
6. Gå til neste mappe med [MEM +/FOLDER+ / UP] [MEM UP] eller til foregående med [MEM-/FOLDER- / DOWN] [MEM DOWN].
7. Ta pause ved å trykke på [PLAY/PAUSE]. Gjenoppta avspillingen ved å trykke en gang til.

8. Stell og vedlikehold

- Trekk alltid støpselet ut fra vegguttaket før rengjøring.
- Bruk en myk, tørr klut for å rengjøre anlegget.
- Bruk ikke rengjøringsmidler som inneholder alkohol, ammoniakk, benzen eller slipende midler, da dette kan skade dekslet.

9. Vedlikehold av cd-spiller og cd-plater

- Cd-spillerens linse må ikke berøres.
- Plutselige forandringer i omgivelsenes temperatur kan føre til kondens inne i spilleren, noe som fører til at cd-spillerens linse dekkes av vanddamp. Det blir da umulig å spille cd-plater.
- Forsøk ikke å tørke av linsen, men la anlegget stå i et varmt rom til fukten har fordampet.
- Steng alltid cd-luken for å holde cd-spilleren støvfri. Bruk en myk, tørr klut til å tørke bort støv fra lokket, ved behov.
- Dersom cd-platen må rengjøres kan den tørkes med en myk, klut som ikke løser. Tørk fra midten og ut mot kanten i en rett linje. Bruk ikke rengjøringsmidler, da dette kan skade platen.
- Fest aldri klistremerker på cd-platen.



10. Avfallshåndtering

Når produktet skal kasseres, må det skje i henhold til lokale forskrifter. Ved usikkerhet, ta kontakt med lokale myndigheter.

11. Spesifikasjoner

Spenning:	230 V AC, 50/60 Hz
Effektforbruk:	32 W
Uteffekt:	2 x 2 W RMS
Batterier:	2 stk. AAA/R03 (til fjernkontroll), 2 stk. AAA/R03 (backup til klokke, medfølger ikke)
Høytaler:	2 stk. med 4" bass og 2¼" diskant

Radio

Frekvensområde:	AM 540 – 1 600 kHz
	FM 88 - 108 MHz

Ministereio, jossa iPod-telakka

Tuotenumero 18-8155
38-3791

Malli Z-789-PM3UCiA-UK
Z-789-PM3UCiA

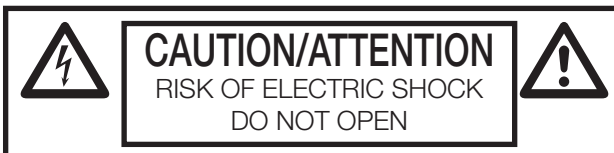
Lue käyttöohje ennen tuotteen käyttöönottoa ja säilytä se tulevaa tarvetta varten. Pidätämme oikeuden teknisten tietojen muutoksiin. Emme vastaa mahdollisista teksti- tai kuvavirheistä. Jos laitteeseen tulee teknisiä ongelmia, ota yhteys myymälään tai asiakaspalveluun (yhteystiedot käyttöohjeen lopussa).

1. Turvallisuus

1.1 Turvallisuusohjeita

- Laitteen saa korjata vain valtuutettu huoltoliike.
- Älä pura tai muuta laitetta.
- Älä peitä laitetta. Riittävä ilmastointi (vähintään 15 cm ilmastointiaukon ja ympäröivän pinnan välillä) on välttämätön, laitteen ylikuumentumisen estämiseksi.
- Poista paristot, jos laite on pitkään käyttämättä. Näin estetään paristojen vuotaminen.
- Älä pura tai muuta laitetta. Laitteen rungon sisällä on vaarallista jännitettä sisältäviä suojaamattomia komponentteja. Niiden koskettaminen voi johtaa tulipaloon tai sähköiskuun.
- Laite on tarkoitettu vain sisäkäyttöön.
- Älä altista laitetta korkeille lämpötiloille, pölylle, tärinälle, iskuille, kosteudelle tai vedelle.
- Älä sijoita laitetta sellaiseen paikkaan, josta se voi tippua veteen tai muuhun nesteeseen. Älä laita laitteen päälle nesteitä sisältäviä esineitä, kuten maljakoita tai limsapulloja.
- Katkaise laitteen virta irrottamalla sen pistoke seinäpistorasiasta. Pistokkeen tulee olla sellaisessa paikassa, johon on helppo päästä.
- Tarkasta virtajohdon kunto säännöllisesti. Älä käytä laitetta, mikäli johto tai pistoke on vioittunut.
- Vioittuneen johdon saa vaihtaa ainoastaan valmistaja, sen määräämä huoltopiste tai valtuutettu ammattilainen. Näin vältetään sähköiskut ja tulipalot.
- Älä sijoita johtoa kuumien pintojen tai terävien kulmien päälle.

1.2 Huomioi seuraavat turvallisuussymbolit



Varoitus! Älä avaa laitteen kotelo. Tuotteen rungon sisällä on vaarallista jännitettä sisältäviä suojaamattomia komponentteja. Niiden koskettaminen voi johtaa tulipaloon tai sähköiskuun.



LUOKAN 1 LASERLAITE

Varoitus! Älä avaa laitteen kotelo. Näkymätön lasersäde voi aiheuttaa silmävaurioita. Älä katso säteeseen edes optisten instrumenttien läpi.

2. Virtalähde

Verkkoliitäntä

1. Varmista, että laitteen takaosan arvokilpeen merkitty jännite (V) on sama kuin sähköverkkosi jännite (230 V AC, 50 Hz). Jos jännite ei ole sama, ota yhteyttä asiakaspalveluumme.
2. Liitä virtajohto verkkopistorasiaan. Soitin on nyt käyttövalmis.
3. Katkaise laitteesta virta kokonaan irrottamalla pistoke pistorasiasta. Suojaa laitetta irrottamalla pistoke pistorasiasta ukkosen ajaksi.
4. Laite ei sammu kokonaan virtakytkimestä, vaan se on joko päällä tai valmiustilassa. Laitteen ollessa valmiustilassa näyttö on pimeä ja näytöllä näkyy vain kellonaika.

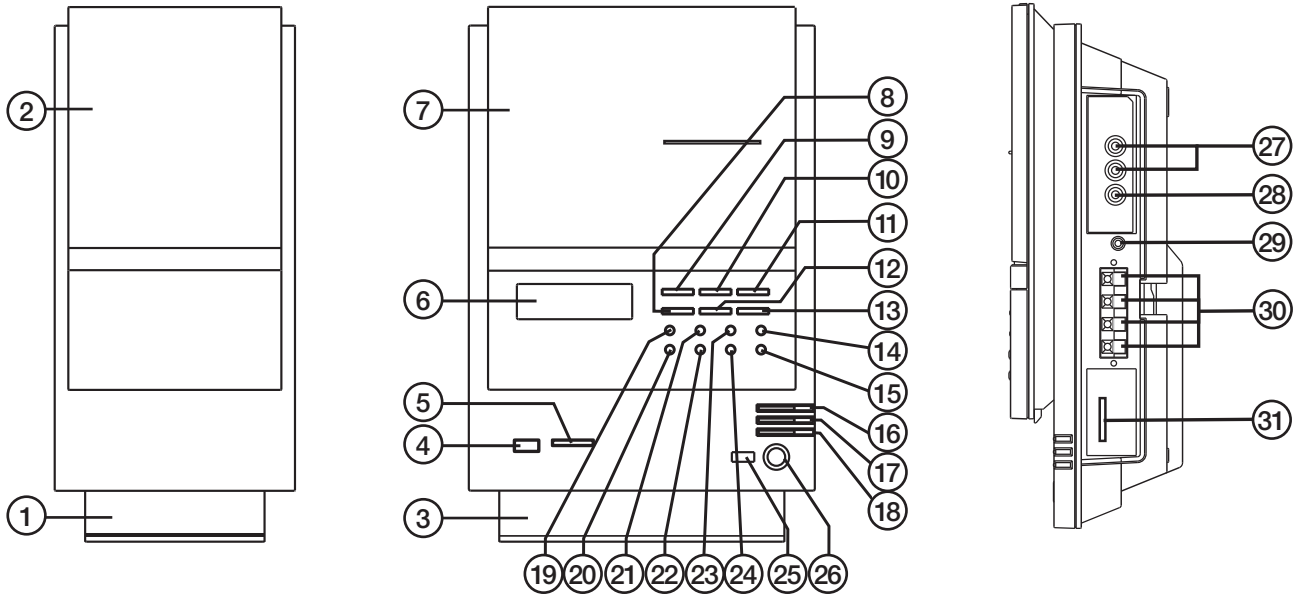
3. Tuotekuvaus

- Ministereio, jossa cd-/mp3-soitin, AM/FM-radio ja iPod-telakka.
- Sopii iPod nanolle ja touchille.
- Liitännät USB-muistille ja SD-kortille.
- Tunnistaa mp3-kappaleiden ID3-tagin.
- Kuulokeliitäntä.
- Linjatulo (2 x RCA), taajuuskorjain, kello ja ajastin.
- Mukana kaukosäädin.
- Laitteen voi sijoittaa tai asentaa seinälle.

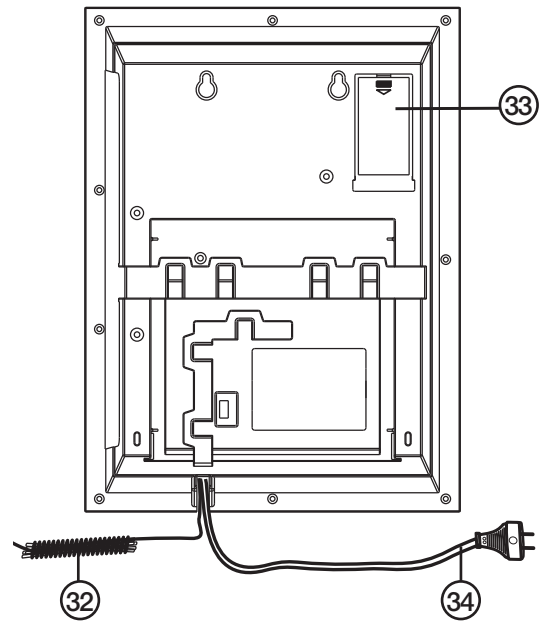
4. Pakkauksen sisältö

- Pääyksikkö
- 2 kaiutinta
- 3 pöytätukea
- Kaukosäädin
- iPod-telakka
- 7 adapteria iPod-yksikköön
- Porausmalli seinäkiinnitystä varten
- Pussi, jossa ruuveja ja tulppia
- Käyttöohje

5. Painikkeet ja toiminnot



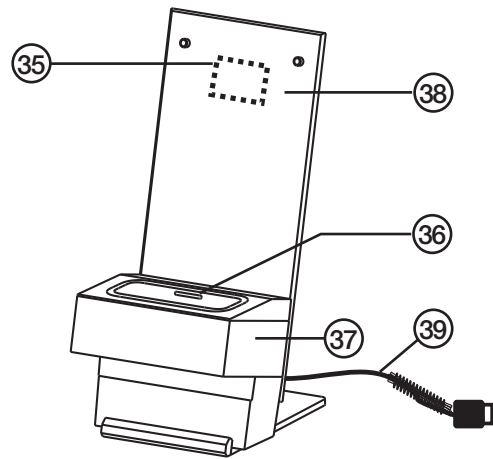
1. Kaiuttimen pöytätuki.
2. Kaiutin (vasen ja oikea).
3. Pääyksikön pöytätuki.
4. Liitäntä USB-muistille.
5. Liitäntä SD-muistikortille.
6. Näyttö (näyttää cd:n, kellon ja radion tietoja).
7. Cd-luukku.
8. [MENU/PROGRAM] – Kellonajan näyttö, soittolistan ohjelmointi.
9. [I◀◀] BACK/TUNE -] – Paluu edelliseen, taajuushaku alaspäin (radiotilassa).
10. [▶▶] PLAY/PAUSE] – Toiston aloitus/keskeytys.
11. [▶▶I NEXT/TUNE +] – Siirtyminen seuraavaan, taajuushaku ylöspäin (radiotilassa).
12. [■ STOP] – Toiston pysäytys.
13. [MONO/ST/id3/ENTER] – Mono tai stereo (radiotilassa), ID3-tietojen näyttäminen (mp3-tiedostoja kuunneltaessa).
14. [FUNCTION] – Toiminnon valinta:
AUX (ulkoinen äänilähde) – TUNER (radio)
– iPod – CD – USB – CARD.
15. [BAND/TUNER] – Aallonpituuden valinta, FM tai MW (keskiaalto), radiota kuunneltaessa.
16. [VOL UP] – Äänenvoimakkuuden lisääminen.
17. [VOL DOWN] – Äänenvoimakkuuden vähentäminen.
18. [OPEN/CLOSE] – Cd-luukun avaaminen/sulkeminen.
19. [TIMER] – Ajastimen asetukset tai ajastimen asetusten näyttäminen.
20. [SLEEP] – Uniajastimen aktivointi (automaattinen sammutus 90–10 minuutin kuluttua tai pois päältä).
21. [REPEAT/RANDOM] – Uudelleentoisto, satunnaistoisto.
22. [EQ] – Taajuuskorjain, valitse seuraavista:
REPEAT – REPEAT ALL – REPEAT ALBUM –
RANDOM (satunnaistoisto).



23. [MEM +/FOLDER+/ UP] – Siirtyminen seuraavaan kansioon.
24. [MEM-/FOLDER-/DOWN] – Siirtyminen edelliseen kansioon.
25. IR – Kaukosäätimen anturi.
26. [ON/OFF] – Virtakytkin.
27. AUX L R – Linjatulo.
28. SUB WOOFER OUTPUT – Subwooferin liitäntä.
29. PHONES – Kuulokeliitäntä.
30. SPEAKERS – Kaiuttimenliitännät.
31. DOCK – iPod-telakka.
32. FM-antenni.
33. Paristolokero (kellon paristovarmennus).
34. Virtajohto.

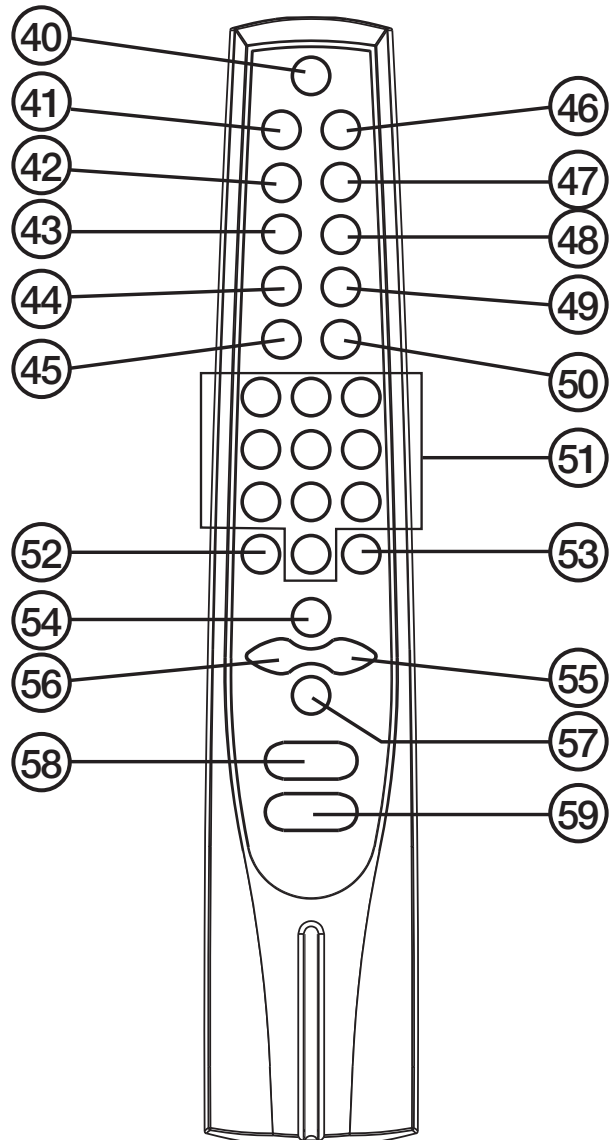
iPod-telakka

- 35. Liitetyn iPodin merkkivalo
- 36. iPod-yksikön adapteri
- 37. iPod-telakan pöytätuki
- 38. iPod-yksikön adapterin kiinnike
- 39. iPodin liitäntäkaapeli



Kaukosäädin

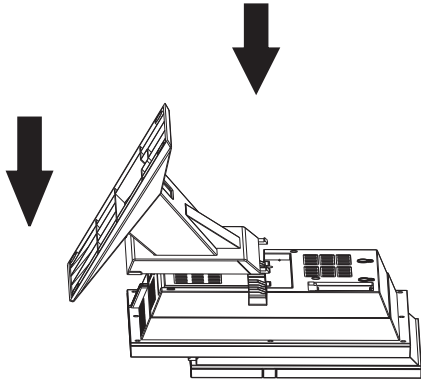
- 40. [POWER] – Virtakytkin.
- 41. [M/S/MENU/id3] – Mono tai stereo (radiotilassa), ID3-tietojen näyttäminen (mp3-tiedostoja kuunneltaessa), iPod-valikon näyttäminen (iPod-tilassa).
- 42. [TIMER] – Ajastimen asetukset tai ajastimen asetusten näyttäminen.
- 43. [EQ] – Taajuuskorjain.
- 44. [SLEEP] – Uniajastimen aktivointi.
- 45. [MEM DOWN/DOWN] – Siirtyminen edelliseen kansioon.
- 46. [BAND/ENTER] – Aallonpituuden valinta, FM tai MW (keskiaalto), radiota kuunneltaessa ja valinnan vahvistaminen.
- 47. [INTRO] – Kaikkien raitojen alkujen kuunteleminen.
- 48. [FUNC.] – Toiminnon valinta.
- 49. [RAN./REPEAT] – Uudelleentoisto, satunnaistoisto.
- 50. [MEM UP/UP] – Siirtyminen seuraavaan kansioon.
- 51. [0–9] – Numeropainikkeet.
- 52. [MUTE] – Äänen tilapäinen mykistys.
- 53. [PROG/i-RAN] – Ohjelmointi / kellonajan näyttäminen.
- 54. [▶|| PLAY/PAUSE] – Toiston aloitus/keskeytys.
- 55. [▶▶ NEXT/TUNE UP] – Siirtyminen seuraavaan, taajuushaku ylöspäin (radiotilassa).
- 56. [◀◀ BACK/TUNE DOWN] – Paluu edelliseen, taajuushaku alaspäin (radiotilassa).
- 57. [■ STOP] – Toiston pysäytys.
- 58. [VOLUME ▲] – Äänenvoimakkuuden lisääminen.
- 59. [VOLUME ▼] – Äänenvoimakkuuden vähentäminen.



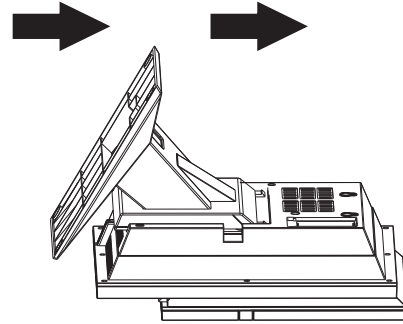
6. Asennus/Käytön aloittaminen

Pikaopas

1. Liitä kaiuttimet SPEAKER-liitäntöihin (2), vasen kaiutin vasempaan liitäntään (L) ja oikea kaiutin oikeaan liitäntään (R). Liitä johtojen mustat liittimet soittimen mustiin liitäntöihin ja läpinäkyvät liittimet punaisiin liitäntöihin. Sijoita kaiuttimet mahdollisimman kauas toisistaan parhaan mahdollisen stereoeffektin takaamiseksi.
2. Aseta kaiuttimet pöytätukien varaan tai kiinnitä ne seinälle. Pyötätukien (1)(3) asentaminen:



A. Paina pöytätuot kaiuttimien ja pääyksikön takana oleviin uriin.



B. Paina pöytätukia ylös, kunnes ne napsahtavat ja lukittuvat paikoilleen.

3. Liitä pistoke pistorasiaan ja kieritä FM-antenni (32) auki.
4. Aseta paristot kaukosäätimeen. (Paristot myydään erikseen.)
5. Käynnistä soitin painamalla virtakytkintä (26)(40).
6. Valitse toiminto [FUNCTION]-painikkeella (14)(48).

6.1 CD-levyn toisto

1. Paina [FUNCTION] (14)(48) useita kertoja, kunnes näytölle ilmestyy CD.
2. Avaa levykelkka painamalla [OPEN/CLOSE] (18).
3. Aseta cd-levy (cd-audio tai cd-mp3) levykelkkaan teksti ulospäin.
4. Aloita cd-levyn toisto painamalla [▶||] (10)(54).
5. Säädä äänenvoimakkuutta painikkeilla [VOL+] (16)(58) ja [VOL-] (17)(59).
6. Keskeytä toisto painamalla [▶||]. Jatka toistoa painamalla painiketta uudelleen.
7. Pysäytä toisto painamalla [STOP] (12)(57).
8. Siirry edelliseen/seuraavaan raitaan painamalla [◀◀ BACK/TUNE -] (9)(56) tai [▶▶ NEXT/TUNE +] (11)(56).
9. Katso toiston aikana ID3-tietoja (kappaleen nimi jne.) painamalla [M/S/MENU/id3] (41) tai [MONO/ST/id3/ENTER] (13).

6.2 Radion kuuntelu

1. Paina [FUNCTION] (14)(48) useita kertoja, kunnes näytölle ilmestyy TUNER.
2. Paina [TUNER/BAND] (15)(46) ja valitse FM tai AM (keskiaalto).
3. Etsi radioasemia manuaalisesti ylöspäin painamalla ja päästämällä [NEXT TUNE UP] (11)(55) ja alaspäin painamalla ja päästämällä [BACK/TUNE DOWN] (9)(56).
4. Aloita taajuuksien automaattinen haku ylöspäin painamalla [NEXT TUNE UP] noin kahden sekunnin ajan tai alaspäin painamalla [BACK/TUNE DOWN] noin kahden sekunnin ajan. Automaattinen haku pysähtyy, kun asema löytyy.
5. Säädä äänenvoimakkuutta painikkeilla [VOL+] (16)(58) ja [VOL-] (17)(59).

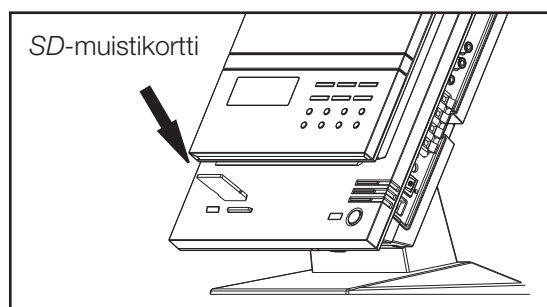
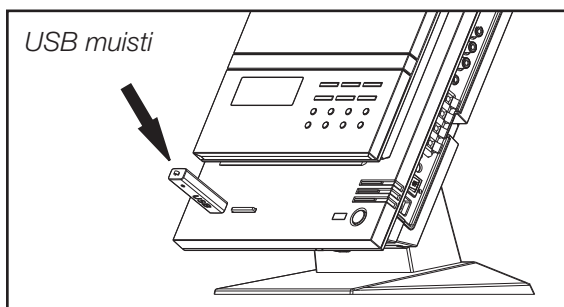
Löytyneen radiokanavan tallentaminen muistiin

1. Paina yhden kerran [PROGRAM] (8)(53).
2. Valitse tallennettavalle kanavalle haluamasi muistipaikka (01–30) painamalla [MEM +/FOLDER+ / UP] (23)(50) tai [MEM-/FOLDER- / DOWN] (24)(45).
3. Vahvista painamalla [PROGRAM].
4. Tallennetun kanavan kuunteleminen: Valitse haluamasi kanava selaamalla kanavia painikkeilla [MEM +/FOLDER+ / UP] ja [MEM-/FOLDER- / DOWN].
5. Poista tallennettu asema tallentamalla uusi kanava samaan muistipaikkaan.

6.3 Tiedostojen toisto USB-muistista tai SD-kortilta

Huom.! Sammuta soitin aina (tai vaihda soitin CD- tai TUNER-tilaan), ennen kuin poistat USB-muistin tai SD-muistikortin, ettei muisti tuhoudu.

1. Liitä mp3-tiedostoja sisältävä USB- tai SD-muisti soittimeen.
2. Paina [FUNCTION] (14)(48) useita kertoja, kunnes näytölle ilmestyy USB tai CARD.
3. Odota, että tiedostot luetaan ja että mp3-tiedostojen kokonaismäärä ilmestyy näytölle (enint. 999 tiedostoa).
4. Toisto alkaa automaattisesti ensimmäisen kansion ensimmäisestä mp3-tiedostosta.
5. Siirry seuraavaan tiedostoon painamalla [▶▶| NEXT/TUNE +] (11)(56).
6. Siirry seuraavaan kansioon painamalla [MEM +/FOLDER+ / UP] [MEM UP] (23)(50) tai edelliseen kansioon painamalla [MEM-/FOLDER- / DOWN] [MEM DOWN] (24)(45).
7. Keskeytä toisto painamalla [PLAY/PAUSE] (10)(54). Jatka toistoa painamalla painiketta uudelleen.
8. Vaihda SD-muistikortin ja USB-muistin välillä painamalla [FUNCTION] (14)(48) ja valitse CARD tai USB.



6.4 Mp3-tiedostojen toisto iPodista tai ulkoisesta äänilähteestä (AUX)

1. Aseta mp3-tiedostoja sisältävä iPod telakkaan tai liitä ulkoinen äänilähde AUX IN -liitäntöihin L ja R (27).
2. Paina [FUNCTION] (14)(48) useita kertoja, kunnes näytölle ilmestyy iPod tai AUX.
3. Odota, että tiedostot luetaan ja että mp3-tiedostojen kokonaismäärä ilmestyy näytölle (enint. 999 tiedostoa).
4. Toisto alkaa automaattisesti ensimmäisestä mp3-tiedostosta.
5. Siirry seuraavaan tiedostoon painamalla [▶▶| NEXT/TUNE +] (11)(56).
6. Siirry seuraavaan kansioon painamalla [MEM +/FOLDER+ / UP] [MEM UP] (23)(50) tai edelliseen kansioon painamalla [MEM-/FOLDER- / DOWN] [MEM DOWN] (24)(45).
7. Keskeytä toisto painamalla [PLAY/PAUSE] (10)(54). Jatka toistoa painamalla painiketta uudelleen.

6.5 Toimenpiteet ennen iPod-telakan käyttöä

Ennen kuin iPod-soitintasi voi käyttää iPod-telakassa, telakkaan on asennettava oikea adapteri (mukana 7 erilaista). Adapterit on merkitty numeroin 9, 10, 14, 15, 16, 17 ja 18. Selvitä, mikä sopii iPodiisi, ja paina se kiinni telakkaan.

Tuote	Adapteri
iPod classic 80 Gt, 120 Gt tai 160 Gt	9 tai 10
iPod generation 5 (video) 30 Gt, 60 Gt tai 80 Gt	9 tai 10
iPod nano generation 5 (video kamera) 8 Gt tai 16 Gt	18
iPod touch generation 1 ja generation 2	14 tai 16
iPod nano generation 4 (video) 8 Gt tai 16 Gt	17

Jos mikään näistä adaptereista ei sovi iPodiisi, käytä sen mukana tullutta adapteria.

7. Käyttö

7.1 Kellonajan asettaminen

Kellonaika näkyy valmiustilassa, ja sen saa näkyviin myös painamalla [MENU/PROGRAM] (8) tai [PROG/i-RAN] (53) kahden sekunnin ajan soittimen ollessa päällä. Kellonajan asettaminen:

1. Sammuta soitin (valmiustila, näyttö pimeänä).
2. Paina [MENU/PROGRAM] (8) (53) noin kahden sekunnin ajan. 12 tai 24 alkaa vilkkua.
3. Valitse ajan näyttötapa painamalla [NEXT] tai [BACK] ja vahvista painamalla [PROGRAM].
4. Aseta tunnit ja minuutit painamalla lyhyesti [NEXT] tai [BACK].
5. Kellonaika näkyy nyt näytöllä laitteen ollessa valmiustilassa.

7.2 Ajastin

Soittimessa on ajastintoiminto, joka käynnistää tai sammuttaa soittimen automaattisesti. Ajastinta voi käyttää esimerkiksi herätyksenä.

1. Pidä [TIMER] (19) (42) painettuna, kunnes näytölle ilmestyy "ON TIME".
2. Tunnit alkavat 00 vilkkua. Aseta tunnit painamalla [I◀◀ BACK/TUNE -] (9) (55) tai [▶▶I NEXT/TUNE +] (11)(56). Vahvista painamalla [TIMER] (19)(42). Aseta minuutit samalla tavalla.
3. Näytöllä näkyy "OFF TIME". Aseta soittimen sammumisaika samalla tavalla.
4. Näytöllä näkyy TUNER. Jos haluat, että radio käynnistyy asettamaasi aikaan, vahvista painamalla [TIMER]. Jos haluat, että radion sijasta käynnistyy jokin muu toiminto, valitse TUNER, CARD, USB, CD tai iPod painamalla [I◀◀ BACK/TUNE -] (9) tai [▶▶I NEXT/TUNE +] (11).
5. "VOL 00" alkaa vilkkua. Valitse haluamasi äänenvoimakkuus ja vahvista painamalla [TIMER].
6. Tekemäsi asetukset näkyvät nyt näytöllä.
7. Näyttö palaa normaalitilaan, ja näytölle ilmestyy kellonkuva merkinä siitä, että soittimen ajastin on päällä.
8. Peruuta ajastintoiminto painamalla [TIMER] vielä kerran.

7.3 Uniajastin

Soittimessa on uniajastintoiminto, joka sammuttaa soittimen automaattisesti tietyn ajan kuluttua.

Aseta aika, jolloin soitin sammuu, painamalla [SLEEP] (20)(44) useita kertoja. Valitse seuraavista ajoista: **90 – 80 – 70 – 60 – 50 – 40 – 30 – 20 – 10** minuuttia tai **OFF** (uniajastin pois päältä).

7.4 Taajuuskorjain

Valitse ääniasetus painamalla useita kertoja EQ (22)(43). Valitse seuraavista: **EQ OFF – CLASSIC – ROCK – POP – JAZZ – EQ OFF**.

7.5 Ohjelmoitu toisto

Cd-levy

1. Paina [■ STOP](12)(57) ennen ohjelmointia.
2. Avaa ohjelmointitila painamalla [PROGRAM] (8)(53). Näytöllä alkaa vilkkua raita 000 kohdan "Memory" alla. Näytölle ilmestyy P-01 (ohjelmointipaikka 01).
3. Valitse cd-levyltä haluamasi raita painamalla [I◀◀ BACK/TUNE -] (9)(56) tai [▶▶I NEXT/TUNE +] (11)(55).
4. Vahvista painamalla [PROGRAM]. Näytölle ilmestyy P-02 (seuraava ohjelmointipaikka).
5. Jatka samalla tavalla kaikkien muistiin tallennettavien raitojen kanssa (enint. 64 raitaa).
6. Aloita ohjelmoitu toisto painamalla [PLAY] (10)(54).
7. Lopeta ohjelmoitu toisto painamalla kaksi kertaa [■ STOP].

Mp3-levy

1. Paina [■ STOP](12)(57) ennen ohjelmointia.
2. Avaa ohjelmointitila painamalla [PROGRAM] (8)(53). Näytöllä alkaa vilkkua 000 (kansionumero levyllä).
3. Valitse levyllä haluamasi kansio painamalla [I◀◀ BACK/TUNE -] (9)(56) tai [▶▶ I NEXT/TUNE +] (11)(55).
4. Vahvista kansionumero painamalla [PROGRAM].
5. Näytöllä näkyy P-01 (ohjelmointipaikka 01).
5. Valitse kansioista haluamasi raita painamalla [I◀◀ BACK/TUNE -] tai [▶▶ I NEXT/TUNE +].
6. Vahvista painamalla [PROGRAM].
7. Toista kohdat 3–6 kaikkien muistiin tallennettavien raitojen kanssa (enint. 64 raitaa).
8. Aloita ohjelmoitu toisto painamalla [▶ II PLAY] (10)(54).
9. Lopeta ohjelmoitu toisto painamalla kaksi kertaa [■ STOP] (12)(57).



7.6 Uudelleentoisto

Valitse haluamasi uudelleentoistotapa painamalla [REPEAT/RANDOM] [RAN./REPEAT] (21)(49):

REPEAT (uudelleentoistaa juuri nyt soivan raidan) → **REPEAT ALL** (uudelleentoistaa kaikki raidat) →

REPEAT ALBUM (uudelleentoistaa koko levyn) → **RANDOM** (satunnaistoisto) → -- (ei uudelleentoistoa).

7.7 Laitteen käyttö iPod-telakan kanssa

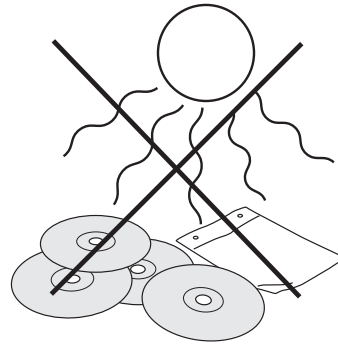
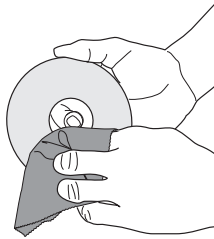
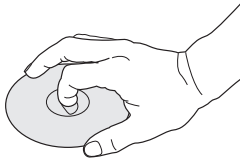
1. Liitä mp3-tiedostoja sisältävä iPod telakkaan.
2. Paina [FUNCTION] (14)(48) useita kertoja, kunnes näytölle ilmestyy iPod. iPod-telakkaan ilmestyy sininen teksti.
3. Odota, että tiedostot luetaan ja että mp3-tiedostojen kokonaismäärä ilmestyy näytölle (enint. 999 tiedostoa).
4. Toisto alkaa automaattisesti ensimmäisestä mp3-tiedostosta.
5. Siirry seuraavaan tiedostoon painamalla [▶▶ I NEXT/TUNE +].
6. Siirry seuraavaan kansioon painamalla [MEM +/FOLDER+ / UP] [MEM UP] tai edelliseen kansioon painamalla [MEM-/FOLDER- / DOWN] [MEM DOWN].
7. Keskeytä toisto painamalla [PLAY/PAUSE]. Jatka toistoa painamalla painiketta uudelleen.

8. Huolto ja ylläpito

- Irrota pistoke verkkovirrasta ennen puhdistusta.
- Käytä puhdistamiseen pehmeää ja kuivaa liinaa.
- Älä käytä puhdistusaineita, jotka sisältävät alkoholia, ammoniakkaa, bentseeniä tai hiovia aineita. Ne voivat vahingoittaa laitteen kuorta.

9. Cd-soittimen ja cd-levyjen käsittely

- Cd-soittimen lukupäähän ei saa koskea.
- Ympäristön äkilliset lämpötilanmuutokset voivat aiheuttaa kosteuden tiivistymisen cd-soittimen lukupäähän. Tällöin cd-levyjä ei voi soittaa.
- Älä yritä kuivata lukupäätä, vaan anna laitteen olla lämpimässä huoneessa, kunnes kosteus on haihtunut.
- Sulje cd-luukku aina, jotta lokero pysyy pölyttömänä. Käytä tarvittaessa pehmeää ja kuivaa liinaa pölyn poistamiseen.
- Puhdista cd-levy tarvittaessa pehmeällä, nukkaamattomalla liinalla keskeltä suoraan reunaan kohti. Älä käytä puhdistusaineita, sillä ne voivat vahingoittaa levyä.
- Älä kiinnitä cd-levyihin tarroja.



10. Kierrätys

Kierrätä tuote asianmukaisesti, kun poistat sen käytöstä. Tarkempia kierrätysohjeita saat kuntasi jäteneuvonnasta.

11. Tekniset tiedot

Käyttöjännite	230 V AC, 50/60 Hz
Tehonkulutus	32 W
Antoteho	2 x 2 W RMS
Paristot	2 kpl AAA/R03 (kaukosäätimeen), 2 kpl AAA/R03 (kellon paristovarmennus) (myydään erikseen)
Kaiuttimet	2 kpl, joissa 4":n basso ja 2¼":n diskantti
Radio	
Taajuusalue	AM 540 – 1600 KHz FM 88 – 108 MHz

Sverige

Kundtjänst Tel: 0247/445 00
 Fax: 0247/445 09
 E-post: kundtjanst@clasohlson.se

Internet www.clasohlson.se

Post Clas Ohlson AB, 793 85 INSJÖN

Norge

Kundesenter Tlf.: 23 21 40 00
 Faks: 23 21 40 80
 E-post: kundesenter@clasohlson.no

Internett www.clasohlson.no

Post Clas Ohlson AS, Postboks 485 Sentrum, 0105 OSLO

Suomi

Asiakaspalvelu Puh.: 020 111 2222
 Sähköposti: info@clasohlson.fi

Internet www.clasohlson.fi

Osoite Clas Ohlson Oy, Annankatu 34–36 A, 00100 HELSINKI

Great Britain

For consumer contact, please visit
www.clasohlson.co.uk and click on
customer service.

Internet www.clasohlson.co.uk

clas ohlson