

DVD Player

Dvd-spelare

Dvd-spiller

Dvd-soitin



Art.no.

18-8181

38-3990

Model

DPU3270V+SSD70S-UK

DPU3270V+SSD70S

Ver. 201009

English

Svenska

Norsk

Suomi

clas ohlson

DVD Player with Twin 7" TFT screens

Article number 18-8181
38-3990

Model DPU3270V+SSD70S-UK
DPU3270V+SSD70S

Please read the entire instruction manual before using the product and save it for future reference. We reserve the right for any errors in text or images and any necessary changes made to technical data. If you have any questions regarding technical problems please contact Customer Services.

1. Safety

- The product should only be repaired by qualified service technicians.
- The product should not be taken apart or modified.
- The product is designed for indoor use only.
- Never expose the device to high temperatures, blows, dampness or moisture.
- Do not place the product where there is a risk of it falling into water or other liquid. Do not place any objects which contain liquid on the product, e.g. flower vases or soft drinks.
- Do not place the device in damp, dusty environments or where there are heavy vibrations.
- Shut off the standby function and pull out the plug at night, or if you plan to be away for an extended period.
- Prolonged exposure to high volume from the headphones can cause hearing damage.
- Place the device on a flat surface during use.
- Only use the supplied car charger.



CLASS 1 LASER PRODUCT

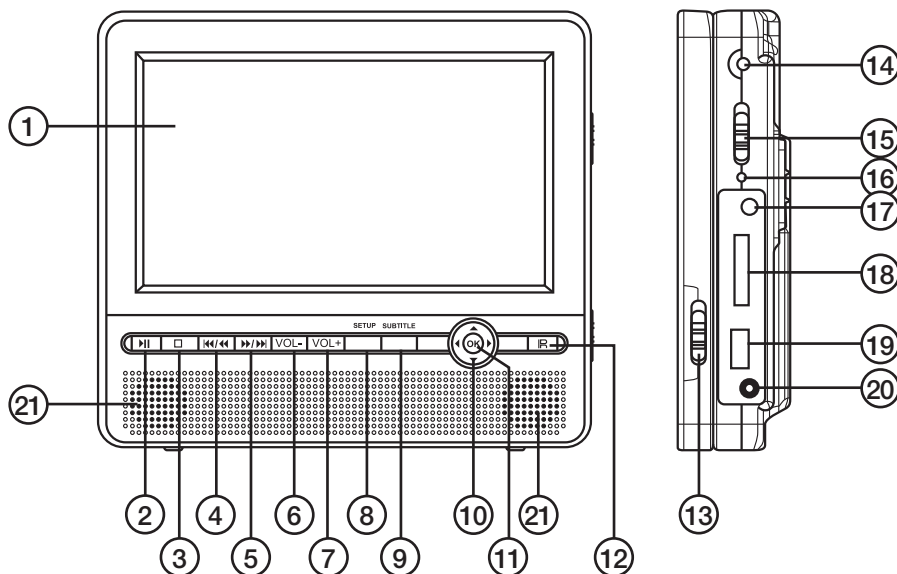
Warning! Do not open the casing! Invisible laser beams can cause eye damage. Do not look directly into the laser beam or look directly at it using an optical instrument.

2. Contents of pack

- 1 x DVD player with TFT screen
- 1 x Twin screen
- 1 x Remote control
- 2 x Headphones
- 1 x AC/DC adaptor
- 1 x Car adaptor for plugging into a cigarette lighter socket
- 2 x Car headrest mounting straps
- 1 x Carrying case
- 1 x AV lead
- 1 x Power lead for connecting the screens

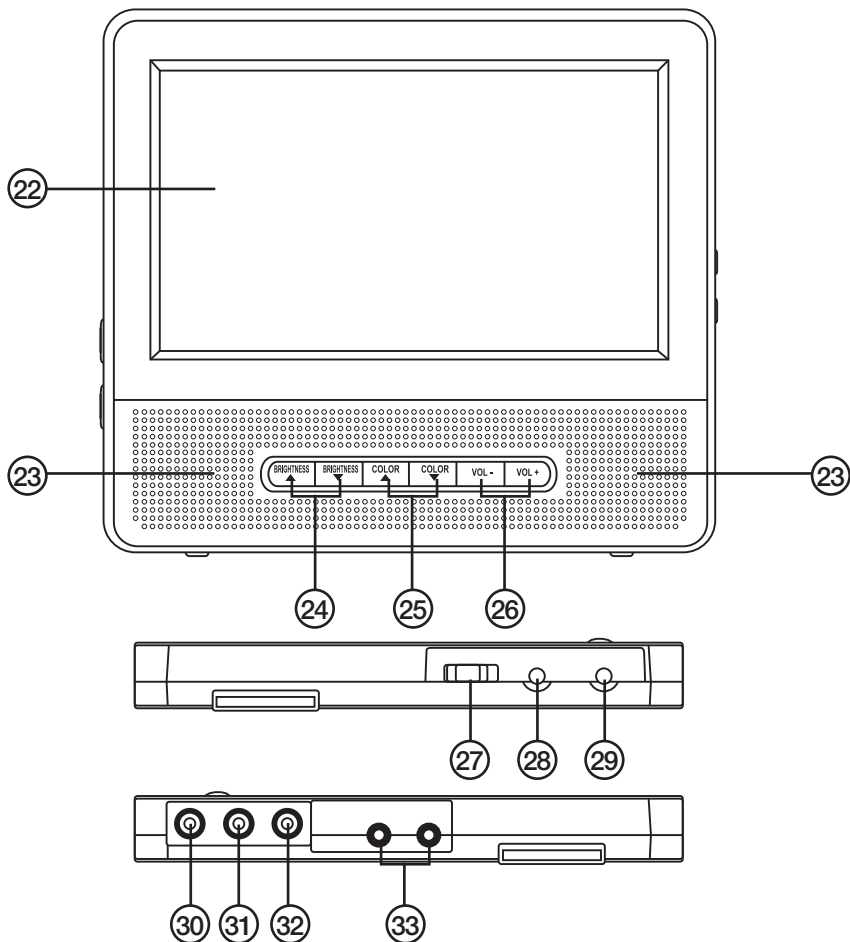
3. Buttons and functions

DVD player



1. TFT screen
2. [▶ ||] – Start or pause playback
3. [■] – Stop playback
4. [◀◀ / ◀◀] - Previous track/fast rewind
5. [▶▶ / ▶▶] - Next track/fast forward
6. [VOL-] – Volume down
7. [VOL+] – Volume up
8. [SETUP] - Enter setup menu
9. [SUBTITLE] – Subtitle control
10. [◀▼▶▲] - Direction buttons
11. [OK] – Confirm selection
12. IR sensor for remote control
13. [DISPLAY ON/OFF] – Screen power button
14. DC IN 9-12 V – Input for external power supply
15. [POWER ON/OFF] – Power switch, completely turns off the device
16. Power indicator light
17. VIDEO /AUDIO OUT – Video and audio outlet
18. SD/MMC CARD – Slot for SD/MMC memory card
19. USB port
20. PHONES – 3.5 mm stereo headphone connection
21. Speakers – Left and right

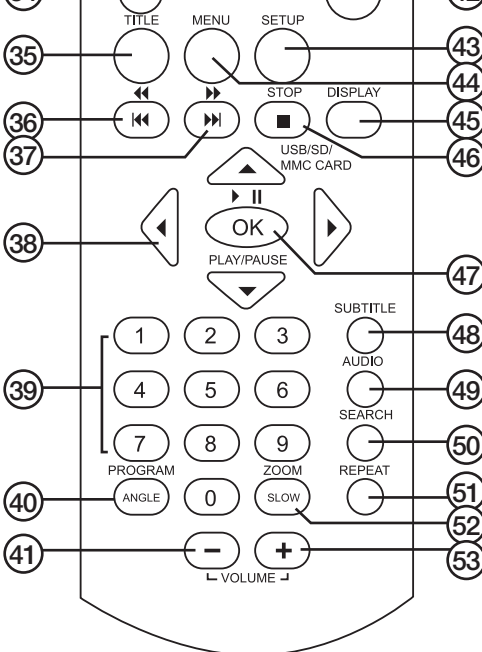
Twin screen



- 22. TFT screen
- 23. Speakers
- 24. BRIGHTNESS – Adjusts the brightness of the display
- 25. COLOR – Adjusts the colour of the display
- 26. Volume controls – Increase/ decrease the volume
- 27. POWER ON/OFF – Power switch, completely turns off the device
- 28. DC IN 9-12 V – Input for external power supply
- 29. DC OUT 9-12 V – Output for the main unit connect
- 30. VIDEO – Video input
- 31. AUDIO – Left audio input
- 32. AUDIO – Right audio input
- 33. PHONES – 3.5 mm stereo headphone connection

Remote control

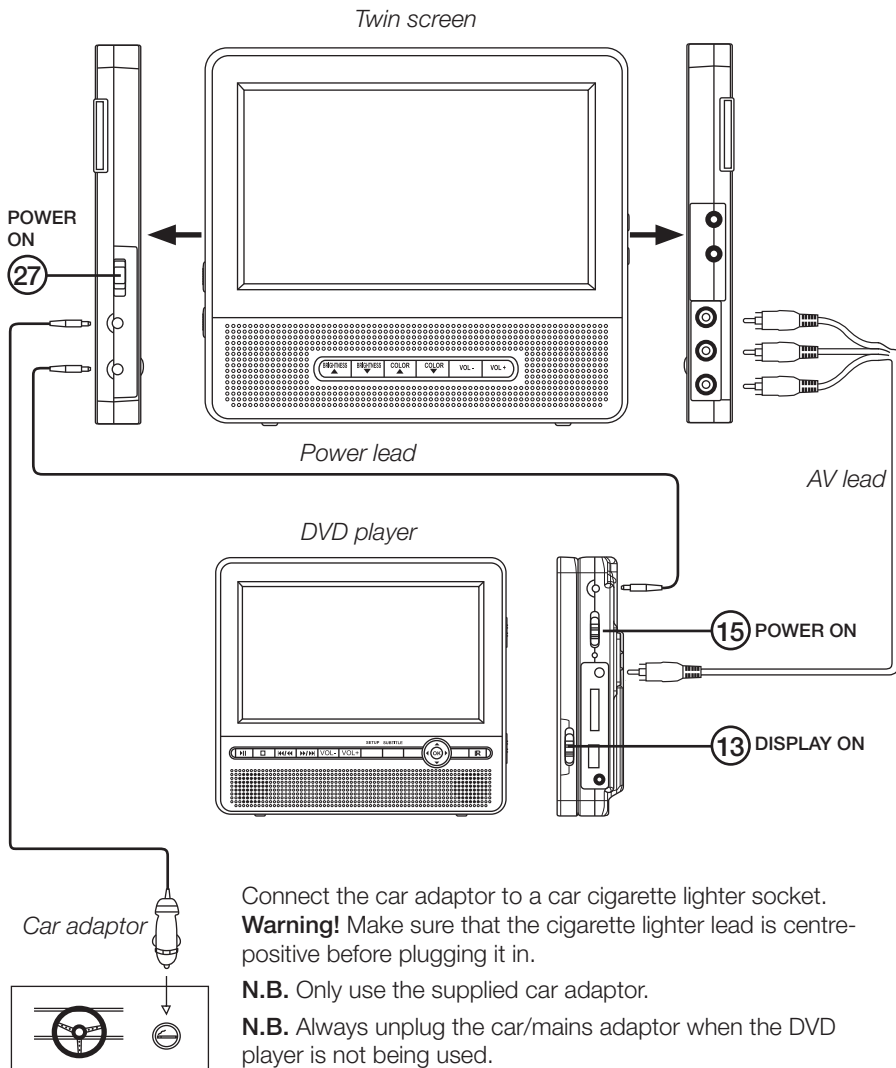
Note! Hold in the button for at least 3 seconds to access some of the buttons' alternative functions (b).

- 
34. [BRI/COL] – Adjust brightness/colour
- 34b. [SCREEN ON/OFF] – Turns the display screen on/off
35. [TITLE] – Press to enter DVD's title menu (during DVD playback)
36. [◀◀] – Previous chapter
- 36b. [◀◀] – Fast rewind
37. [▶▶] – Next chapter
- 37b. [▶▶] – Fast forward
38. [▲▶▼◀] – Direction buttons
39. [0-9] – Numerical buttons
40. [PROGRAM] – Select programme
- 40b. [ANGLE] – Changes the picture angle (if supported by the DVD)
41. [VOL-] – Volume down
42. [MUTE] – Turns off volume
43. [SETUP] – View detailed settings and make changes
44. [MENU] – During DVD playback: Press to go to the DVD's main menu
45. [DISPLAY] – Display disc information
46. [■ STOP] – Stop playback
- 46b. [USB/SD/MMC CARD] – Select playback from: USB, SD or MMC memory and disc.
47. [OK] – Confirm selection
- 47b. [PLAY/PAUSE] – Start or pause playback
48. [SUBTITLE] – Select subtitle language
49. [AUDIO] – Select audio track During audio playback: Press to switch between left, right, mixed or stereo. During DVD playback: Press to select language (if the disc has this option).
50. [SEARCH] – During playback: Press during playback to find/select what is to be played.
51. [REPEAT] – During playback: Press to select the start and end of a section that you wish to playback repeatedly. Press to repeat a programmed section, the entire film or the entire DVD.
52. [ZOOM] – Enlarge/reduce image
- 52b. [SLOW] – Play the film in slow-motion
53. [VOL+] – Volume up

4. Connections

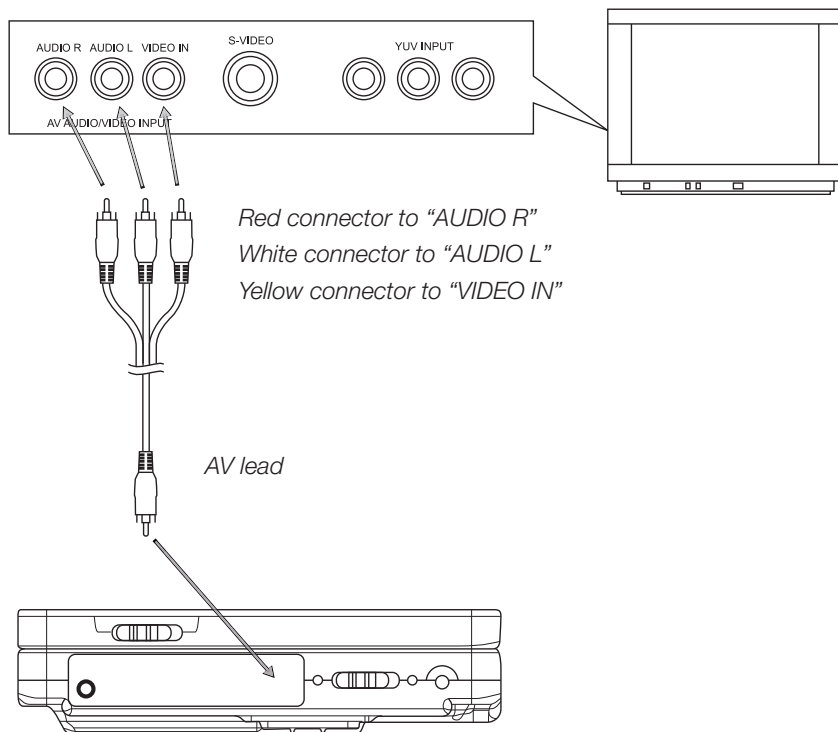
Connecting the twin screen

Both the **AV lead** and the **power lead** must be used to connect the twin screen to the DVD player.



Connecting to the TV set

1. Make sure that the DVD player and TV/Home Theatre Amp. are turned off before making any connections.
2. Connect the AV lead to VIDEO/AUDIO OUT (17) on the DVD player.
3. Connect the 3 RCA connectors between the player and your TV according to the diagram.



5. Use

A. Starting the DVD player

Set the power switch (15) to the **ON** position to start the device.

B. Using the remote control

Aim the remote control at the sensor (12) on the front of the DVD player and press the relevant button for the desired function.

C. Playing a CD or DVD

Open the DVD player by lifting ▲ OPEN and carefully place a DVD onto the spindle (with the label facing up). Close the DVD player. The DVD will automatically start to be read.

D. Adjusting the volume

Press [VOL+] (53) or [VOL-] (41) to raise or lower the volume. Press [MUTE] (42) to turn off the sound completely.

E. Skip to next/previous chapter/track

Use [◀◀] (36) or [▶▶] (37) to skip to the next or previous track/chapter.

F. Fast forward/rewind

- Press and hold [◀◀] (36b) or [▶▶] (37b) to quickly search backwards or forwards within a chapter. The fast forward/rewind speed is shown on the display.
- Keep the button pressed in for a little longer to change the fast forward/rewind speed. You can choose between 2, 4, 8, 16 or 32 times the playback speed.
- Press [PLAY/PAUSE] (47b) to resume normal playback.

G. Stopping playback

During video playback:

- Press [■ STOP] (46) once to stop playback. Press [PLAY/PAUS] (47b) to resume playback from where you stopped.
- Press [■ STOP] (46) again to completely stop playback and return to the beginning of the disc.

During audio playback:

- Press [■ STOP] (46) once to stop playback.

H. Slow-Motion playback (DVD)

Press and hold in [ZOOM/SLOW] (52b) on the remote control during playback. The disc will play at 1/2 speed. Press the button several times to change to 1/4, 1/8, or 1/16 speed. Press [PLAY/PAUSE] (47b) to resume normal playback.

I. Repeat

Press [REPEAT] (51) on the remote control during playback to repeat one chapter/folder or to repeat all (DVD). Repeat one track/all tracks (CD), or repeat a section between two points (A–B).

J. Searching for a particular chapter

1. Press [SEARCH] (50) several times during playback to search for a specific title/chapter/track.
2. Enter the desired title/chapter/track or time using the numerical buttons (39).
3. Press [OK] (47) to confirm and start playback.
4. The player will automatically return to normal display after a few moments.

K. Displaying playback information

During playback: Press [DISPLAY] (45) to view information about what is being played. The information will be shown in the upper part of the screen.

L. Changing audio track language (DVD)

Press [AUDIO] (49) once or repeatedly to change audio language. The current language selection will be shown on the display. The current audio settings will also be displayed.

N.B. Works only with discs with more than one audio track.

M. Subtitles (DVD)

During playback, repeatedly press [SUBTITLE] (48) in order to select the subtitle language. The current language selection will be shown on the display.

N.B. Works only with certain DVD's.

N. Programmed playback

Up to 20 programmes can be programmed for playback.

1. Press [PROGRAM] (40) to enter the programming mode.
2. Programme the titles and chapters using the numerical buttons (39). Select files in the programming box using the direction buttons (38). **N.B.** If you wish to programme chapter 2 for example, enter "02".
3. To start playing the programmed section, go to "Start" in the programming menu and press [OK] (47).
4. Change your programming as follows: Select the entry you wish to change using the direction buttons (38). Enter the new title and chapter using the numerical buttons (39). **N.B.** The programme can't be changed once playback has begun.
5. To delete the programming list during playback, do as follows: Press [PROGRAM] (40). "Stop" will now be highlighted in the programming menu. Press [OK] (47) to delete all entries on the programme list. "Exit" will now be highlighted. Press [OK] (47) to exit the programming menu.

P. Enlarging or reducing the picture size

Press [ZOOM] (52) on the remote control once or repeatedly to enlarge the image. The magnification (2, 3, or 4 times) will be shown on the display. Use the direction buttons (38) to position the enlarged area.

P. Picture angle (DVD)

During playback: Press and hold [ANGLE] (40b) to display and select from available picture angles.

N.B. Works only with certain DVD's.

Q. Returning to the main menu and choosing a title

During playback: Press [MENU] (44) to display the main menu. Then press [TITLE] (35) to play the chosen title.

R. Playback of MP3/MPEG4

1. Insert a CD or DVD containing MP3 or MPEG4 files. After a moment the display will show the folders on the disc.
2. Use the direction buttons (38) to select/highlight the folder or file that you wish to play.
3. Press [OK] (47) to confirm and start playback. Playback of the first file in the folder starts automatically.
4. Use [▶▶] (37) or [◀◀] (36) to skip to the next or previous track/chapter.
5. Push [REPEAT] (51) to change the playback mode.

S. Displaying pictures

1. Insert a CD or DVD with image files in JPEG format. After a moment the display will show the folders on the disc.
2. Use the direction buttons to select the folder or image file to be shown. Press [OK] (47) to confirm.
3. Use [▶▶] (37) or [◀◀] (36) to skip to the next or previous image. During playback, press the direction buttons to rotate or flip the images.
4. Press [ZOOM] (52) once or repeatedly to zoom in/out. The display will show the current zoom setting.

T. Brightness and colour settings

The display's brightness and colour can be set at anytime during playback.

- Press [BRI/COL] (34) on the remote control to set the display screen properties. Switch from brightness (BRI) to colour (COL) by pressing [BRI/COL] 34). Adjust the setting value using the right and left direction buttons (38).

6. Using an external memory (USB / SD / MMC memory)

1. Start the DVD player. Set the power switch (15) to the ON position to start the DVD player. Connect an SD/MMC memory card or USB memory containing audio/video files to outlet (18) or (19) respectively. (18). The DVD player will automatically detect the external memory and read it after a few seconds. All files on the external memory will then be displayed on the screen.
2. The files on an external memory can be played in the same way as those on an MP3 disc.

N.B. Press and hold in [■ STOP] (46) and select playback from USB, SD or MMC memory using [▲▶▼◀] (38) on the remote control.

7. Settings

1. Press [SETUP] (43).
2. Highlight the setting that you wish to change using the direction buttons (38). Press [OK] (47) to confirm.
3. Change the setting using the direction buttons (38) and confirm by pressing [OK] (47).
4. Push [SETUP] (43) to exit and save the settings.

General setup

Feature	Description
TV Display	Set the TV mode of the connected external screen, choose from: Normal/PS , Normal/LB and Wide . Set to the same as your TV set.
LCD mode	Sets the desired aspect ratio: 4:3 or 16:9 on the built-in screen.
OSD language	Sets the menu language for the DVD player. Choose from: English , Swedish and Finnish .
Screen saver	Activates/deactivates the screen saver.

Audio Setup

Feature	Description
Downmix	Sets the type of audio: LT/RT = Mixes down from stereo to mono. STEREO = Mixes down from 5.1 stereo to stereo.

Video Setup

Description
Sets the image quality, e.g. sharpness, brightness and contrast. Adjust settings using the direction buttons and confirm using [OK] (47).

Preference

Feature	Description
TV type	Sets the TV system for outgoing signal from the DVD player. Selects between NTSC (USA), PAL (Europe) or AUTO (automatic).
Audio	Sets desired language for the DVD (if available).
Subtitle	Sets desired subtitle language for the DVD (if available).
Disc Menu	Sets desired language for the DVD menus (if available).
Parental	Sets access restrictions for children and prevents any inappropriate material from being shown. Select appropriate access level (1 -8 where 8 is adult).
Password	Sets whether or not a password is required.*
Default	Restores the DVD player to factory default settings. NB. The parental control password and level are not reset.
Exit Setup	Press OK to exit Setup.

* Change password:

1. Enter the current password using the numerical buttons (39) on the remote control.
2. Enter the new password.
3. Enter the new password again. You can always use password **1389** if you have forgotten yours.

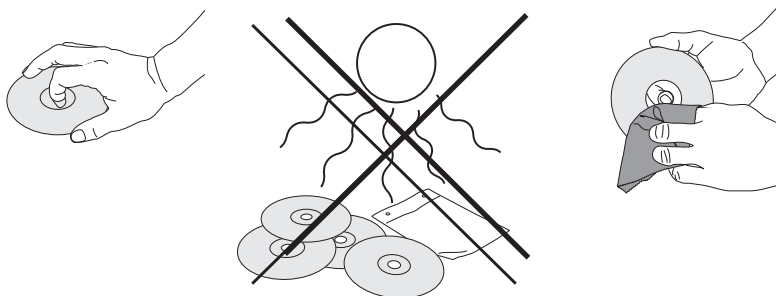
8. Care and maintenance

Cleaning

- Always unplug the adaptor from the wall socket before cleaning.
- Make sure that no liquids penetrate the DVD player.
- Use only a lightly moistened cloth when cleaning the exterior.
- Never use solvents or strong detergents.

Disc care

- Hold the disc by the hole and edge when handling in order to avoid fingerprints and dirt from contaminating the surface.
- Do not bend the disc or expose it to direct sunlight or heat.
- Clean the discs with a soft dry cleaning cloth starting from the centre and working outwards. Never use solvents or strong detergents.
- Store the discs in their cases.



9. Disposal

Follow local ordinances when disposing of this product. If you are unsure of how to dispose of this product, please contact your municipality.

10. Specifications

External power source:	9 V DC, 2000 mA (via included mains adaptor) 12 V DC, 2000 mA (via included car adaptor)
Power consumption:	13 W
Screen size:	7"
Resolution:	480 x 234 pixels
Battery:	Remote control – 2 x AAA/LR03 (not included)

11. Troubleshooting

Problem	Suggested remedy
The product does not turn on or turns off by itself.	<ul style="list-style-type: none"> • Make sure the battery is fully charged. • Check that the adaptor is connected correctly. • Start the device by turning it on and off with the switch.
The product does not react to the remote's commands.	<ul style="list-style-type: none"> • Make sure the remote control's batteries are correctly inserted. • Insert new batteries. • Make sure the remote is aimed at the sensor on the front of the DVD player. • Make sure that no objects are blocking signals from the remote.
No picture or sound.	<ul style="list-style-type: none"> • Make sure that all audio and video leads are correctly connected. • Make sure that the disc is one of the following: DVD, DVD-R, DVD-RW or CD • Make sure that the disc is whole, scratch-free and correctly in place with the label facing upwards. • Make sure the DVD player's laser pickup is not dirty. Contact Customer Services if this is the case. • Make sure that any connected TV is set to the correct channel (VIDEO, AV, etc.).
No sound.	<ul style="list-style-type: none"> • Make sure that the lid is open. When the DVD player lid is closed, sound can only be activated via the audio or headphone outlet.
Poor sound or picture.	<ul style="list-style-type: none"> • Check the disc. Use a clean and scratch-free disc.

Dvd-spelare med 2 st. 7" TFT-skärmar

Art.nr 18-8181 Modell DPU3270V+SSD70S-UK
38-3990 DPU3270V+SSD70S

Läs igenom hela bruksanvisningen före användning och spara den sedan för framtida bruk. Vi reserverar oss för ev. text- och bildfel samt ändringar av tekniska data. Vid tekniska problem eller andra frågor, kontakta vår kundtjänst (se adressuppgifter på baksidan).

1. Säkerhet

- Produkten får endast repareras av kvalificerad servicepersonal.
- Produkten får inte demonteras eller ändras.
- Produkten är avsedd endast för inomhusbruk.
- Utsätt aldrig apparaten för höga temperaturer, stötar, fukt eller väta.
- Placera inte produkten så att den kan falla ner i vatten eller annan vätska. Ställ inte heller några föremål som innehåller vätska på produkten, t.ex. blomvas eller dryck.
- Placera inte apparaten i en fuktig, dammig miljö eller där det förekommer starka vibrationer.
- Stäng av eventuell standby-funktion och dra ur nätadaptern från vägguttaget om natten eller när du reser bort.
- Långvarig exponering av hög ljudvolym från hörlurar kan orsaka hörselskador.
- Placera enheten på en horisontell yta under användning.
- Använd endast den bifogade biladaptern.



KLASS 1 LASERAPPARAT

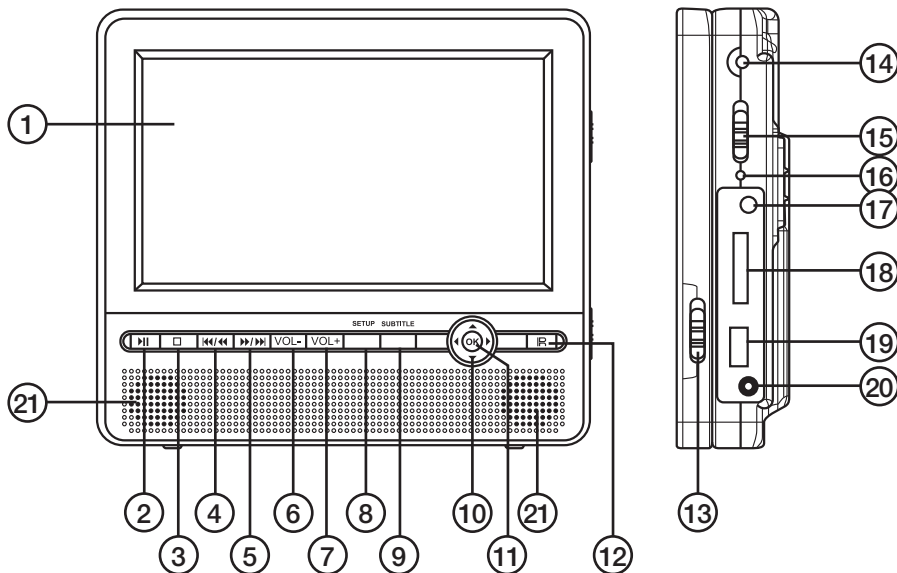
Varning! Öppna inte höljet! Osynlig laserstrålning som kan orsaka ögonskador. Rikta inte blicken in mot strålen och titta inte direkt på den genom optiska instrument.

2. Förpackningsinnehåll

- 1 st. DVD-spelare med TFT-skärm
- 1 st. tvillingskärm
- 1 st. fjärrkontroll
- 2 st. hörlurar
- 1 st. batterieliminatör
- 1 st. biladapter för anslutning till cigarettändaruttag
- 2 st. remmar för montering på nackstöd
- 1 st. bärväska
- 1 st. AV-kabel
- 1 st. strömkabel mellan skärmarna

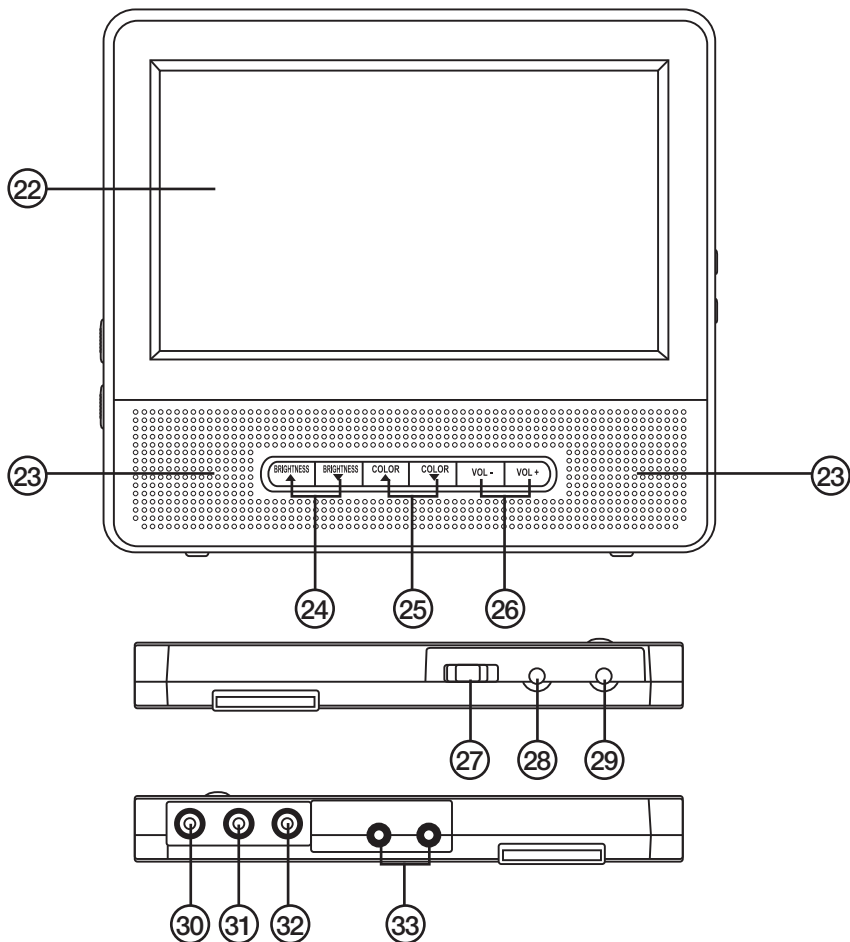
3. Knappar och funktioner

DVD-spelare



- 1. TFT-skärm
- 2. [▶ ||] – Start eller paus av uppspelningen
- 3. [■] – Stoppar uppspelningen
- 4. [◀ / ◀◀] – Föregående spår/snabbspolning bakåt
- 5. [▶▶ / ▶] – Nästa spår/snabbspolning framåt
- 6. [VOL-] – Volymkontroll, sänk volymen
- 7. [VOL+] – Volymkontroll, höj volymen
- 8. [SETUP] – Inställningar
- 9. [SUBTITLE] – Textning
- 10. [◀◀ ▶▶ ▶] – Navigationsknappar
- 11. [OK] – Bekräfta val
- 12. IR-sensor för fjärrkontroll
- 13. [DISPLAY ON/OFF] – Strömbrytare för skärmen
- 14. DC IN 9–12 V – Ingång för extern spänningskälla
- 15. [POWER ON/OFF] – Strömbrytare, stänger av enheten helt
- 16. Indikatorlampa för på/av
- 17. VIDEO/AUDIO OUT – Utgång för video/ljud till tv
- 18. SD/MMC CARD – Kortläsare för SD/MMC-minneskort
- 19. USB-anslutning
- 20. PHONES – Anslutning för stereohörlurar (Ø 3,5 mm)
- 21. Högtalare – Vänster och höger

Tvillingskärm



- 22. TFT-skärm
- 23. Högtalare
- 24. BRIGHTNESS – Ställer in ljusstyrka
- 25. COLOR – Ställer in färg
- 26. Volymkontroller – Höjer/sänker volymen
- 27. POWER ON/OFF – Strömbrytare, stänger av enheten helt
- 28. DC IN 9-12 V – Ingång för extern spänningskälla
- 29. DC OUT 9-12 V – Utgång till huvudskärmen
- 30. VIDEO – Videoingång
- 31. AUDIO – Vänster ljudingång
- 32. AUDIO – Höger ljudingång
- 33. PHONES – Anslutningar för stereohörlurar (Ø 3,5 mm)

Fjärrkontroll

Obs! Tryck på knappen i minst 3 sekunder för att komma åt vissa av knapparnas alternativ funktion (b).

34. [BRI/COL] – Justera ljusstyrka och färg

34b. [SCREEN ON/OFF] – Slå på/stäng av skärmen

35. [TITLE] – Tryck för att gå till DVD:ns titelmeny (under uppspelning av DVD-skivan)

36. [◀◀] – Föregående avsnitt

36b. [◀◀] – Snabbspola bakåt

37. [▶▶] – Nästa avsnitt

37b. [▶▶] – Snabbspola framåt

38. [▲▶▼◀] – Navigationsknappar

39. [0 – 9] – Sifferknappar

40. [PROGRAM] – Välj program

40b. [ANGLE] – Ändra bildvinkel (om filmen stöder den funktionen)

41. [VOL-] – Volymkontroll, sänk volymen

42. [MUTE] – Stäng av ljudet

43. [SETUP] – Se detaljerade inställningar och kunna göra ändringar

44. [MENU] – Under uppspelning av DVD-skivan: Tryck för att gå till DVD:ns huvudmeny

45. [DISPLAY] – Visa skivinformation

46. [■ STOP] – Stoppa uppspelningen

46b. [USB/SD/MMC CARD] – Välj uppspelning från USB-minne, SD/MMC-minneskort eller skiva

47. [OK] – Bekräfta val

47b. [PLAY/PAUSE] – Start eller paus av uppspelningen

48. [SUBTITLE] – Välj språk på undertext

49. [AUDIO] – Välj ljudspår. Vid uppspelning av musik: Tryck för att växla mellan vänster, höger, mix eller stereo. Under uppspelning av DVD-skivor: Tryck för att välja språk (om det finns tillgängligt på skivan).

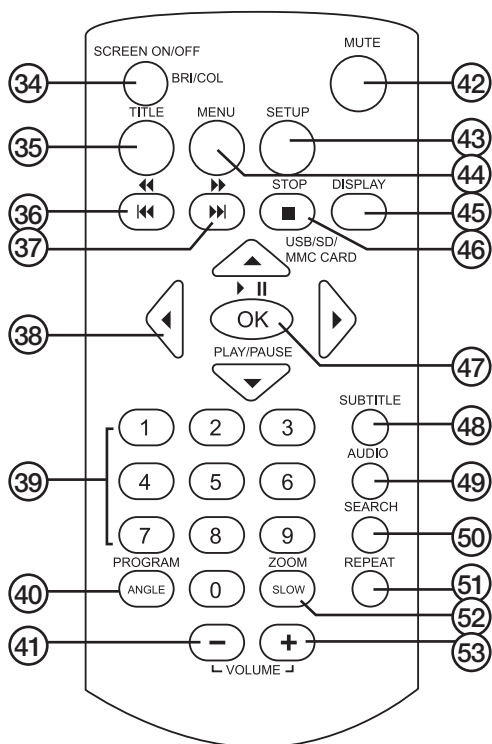
50. [SEARCH] – Under uppspelning: Tryck för att hitta/välja vad som ska spelas upp

51. [REPEAT] – Under uppspelning: Tryck för att själv välja början och slut på ett avsnitt du vill ha repeterad uppspelning på. Tryck för att repetera ett förinställt avsnitt, hela filmen eller hela DVD-skivan.

52. [ZOOM] – Förstora bilden

52b. [SLOW] – Spela upp i slow motion

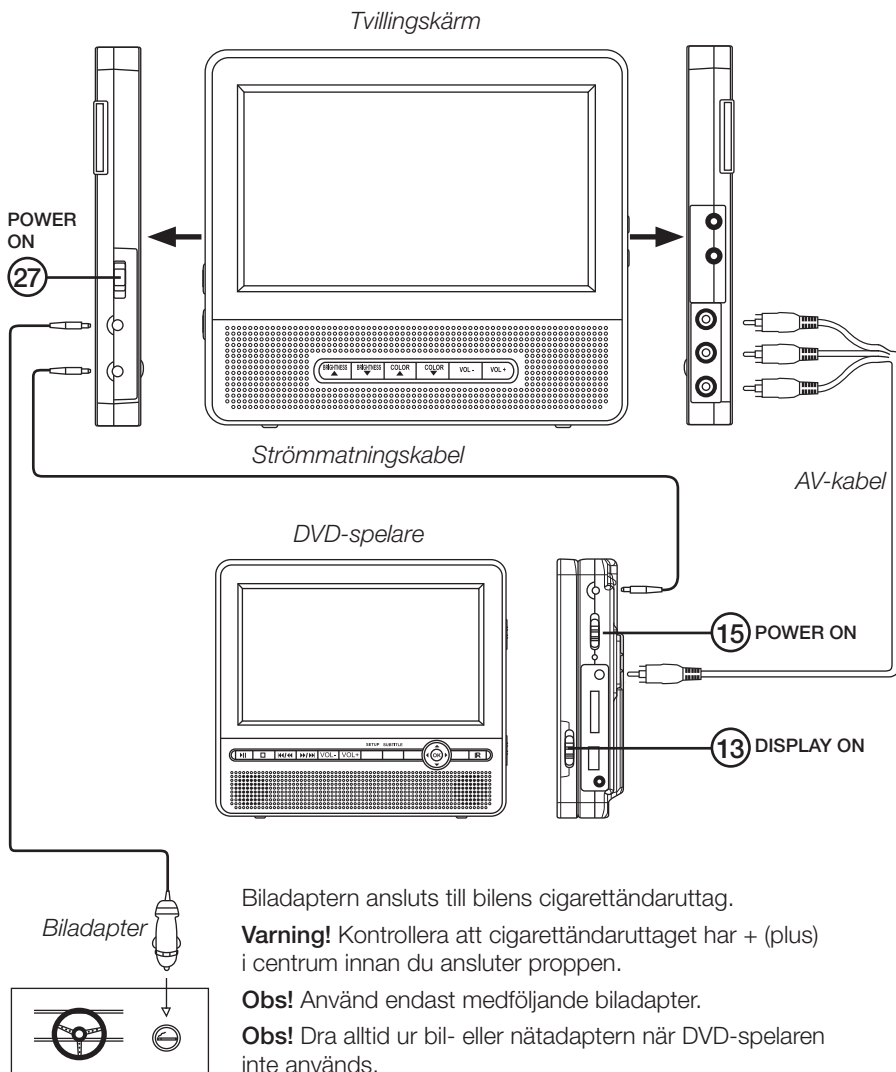
53. [VOL+] – Volymkontroll, höj volymen



4. Anslutningar

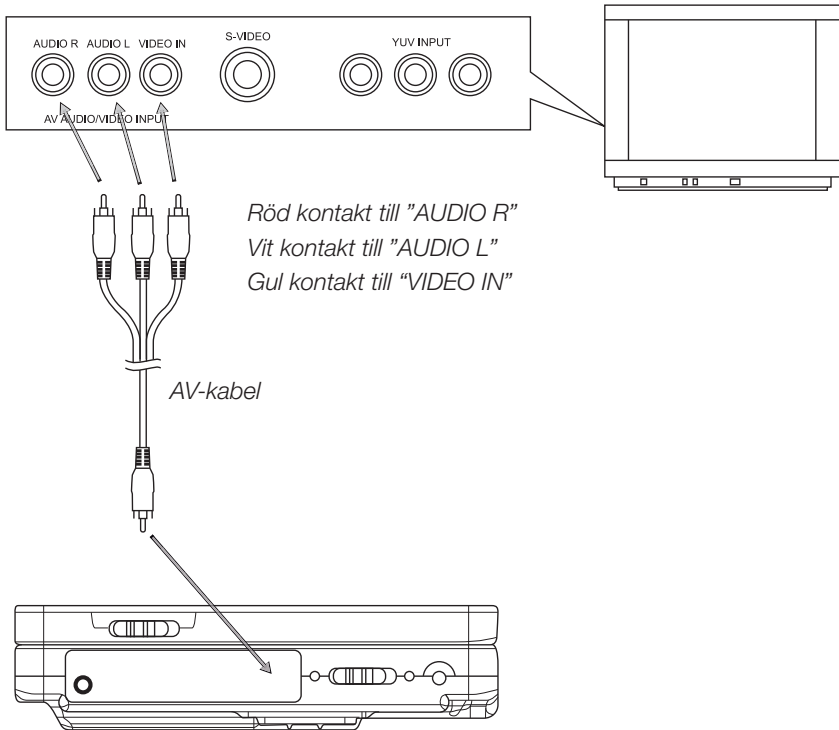
Anslutning till tvillingsskärm

AV-kabeln och strömatningskabeln måste vara anslutna mellan DVD-spelaren och tvillingsskärmen.



Anslutning till TV-apparat

1. Se till att DVD-spelaren och TV:n/hemmabioförstärkaren är avstängda före inkoppling.
2. Anslut AV-kabeln till VIDEO/AUDIO OUT (17) på DVD-spelaren.
3. Anslut de 3 RCA-kontakterna på AV-kabeln till din TV enligt bilden.



5. Användning

A. Starta DVD-spelaren

Ställ strömbrytaren (15) i läge ON för att starta enheten.

B. Använda fjärrkontrollen

Rikta fjärrkontrollen mot sensorn (12) på DVD-spelarens framsida och tryck på knappen som har önskad funktion.

C. Spela upp en CD/DVD-skiva

Öppna DVD-spelaren vid ▲ OPEN och tryck försiktigt fast en CD/ DVD-skiva på spindeln (med etiketten vänd uppåt). Stäng DVD-spelaren. Uppspelningen av skivan startar automatiskt.

D. Justera volymen

Tryck på [VOL+] (53) eller [VOL-] (41) för att höja eller sänka volymen. Tryck på [MUTE] (42) för att stänga av volymen helt.

E. Gå till nästa/föregående spår/avsnitt

Använd [◀◀] (36) eller [▶▶] (37) för att gå till föregående eller nästa avsnitt.

F. Snabbspolning

- Håll in [7] (36b) eller [8] (37b) för att snabbspola bakåt eller framåt i ett avsnitt. En markering i displayen visar aktuell hastighet på snabbspolningen.
- Håll in knappen ytterligare en liten stund för att ändra hastigheten på snabbspolningen. Du kan välja mellan 2, 4, 8, 16 eller 32 gånger snabbare uppspelning.
- Tryck på [PLAY/PAUSE] (47b) för att återgå till normal uppspelning.

G. Stoppa uppspelningen

Vid uppspelning av film:

- Tryck en gång på [■ STOP] (46) för att stoppa uppspelningen. Tryck på [PLAY/PAUSE] (47b) för att återuppta uppspelningen där du stoppade den.
- Tryck en gång till på [■ STOP] (46) för att helt stoppa uppspelningen och gå till början av skivan.

Vid uppspelning av musik

- Tryck på [■ STOP] (46) för att stoppa uppspelningen.

H. Slow motion-uppspelning (DVD)

Tryck och håll in [ZOOM/SLOW] (52b) på fjärrkontrollen under uppspelning, skivan kommer att spelas upp i 1/2 hastigheten. Tryck flera gånger för att ändra hastigheten till 1/4, 1/8 eller 1/16. Tryck på [PLAY/PAUSE] (47b) för att återgå till normal uppspelning.

I. Repetition

Tryck på [REPEAT] (51) på fjärrkontrollen under uppspelning, ett kapitel/mapp spelas upp eller repetera alla (DVD). Repetera ett spår/alla spår (CD), eller repetera uppspelning mellan två punkter (A–B).

J. Sök efter ett visst avsnitt

1. Tryck på [SEARCH] (50) flera gånger under uppspelning för att söka önskad titel, avsnitt eller spår.
2. Ange önskat avsnitt eller tid med sifferknapparna (39).
3. Tryck på [OK] (47) för att bekräfta och starta uppspelningen.
4. Efter en stund återgår spelaren automatiskt till normal visning.

K. Visa uppselningsinformation

Under uppspelning: Tryck [DISPLAY] (45) för att visa information om uppselningen. Informationen visas i displayens övre del.

L. Ändra språk för ljudspår (DVD)

Tryck en eller flera gånger på [AUDIO] (49) för att ändra ljudspår. Valt språk visas i displayen. Aktuell ljudbild visas i displayen.

Obs! Fungerar endast med skivor innehållande flera ljudspår.

M. Undertexter (DVD)

Under uppspelning, tryck upprepade gånger på [SUBTITLE] (48) för att välja språk för undertexter. Valt språk visas i displayen.

Obs! Fungerar endast med vissa DVD-skivor.

N. Programmerad uppselning

Upp till 20 program kan programmeras in för uppselning.

1. Tryck på [PROGRAM] (40) för att komma till programmeringsläge.
2. Programmera i tur och ordning in titlar och avsnitt med sifferknapparna (39). Välj filer i programmeringsrutan med navigationsknapparna (38).
Obs! Om du vill programmera in t.ex. avsnitt 2, ange då "02".
3. För att starta den programmerade uppselningen, gå till "Start" på programmeringsmenyn och tryck sedan på [OK] (47).
4. Ändra din programmering så här: Använd navigationsknapparna (38) och ställ dig på den inmatning du vill ändra. Programmera in ny önskad titel och avsnitt med sifferknapparna (39). **Obs!** Detta fungerar inte om du redan har påbörjat den programmerade uppselningen.
5. Radera programmeringslistan under pågående uppselning så här: Tryck på [PROGRAM] (40). I programmeringsmenyn är då "Stop" markerad. Tryck på [OK] (47) för att radera samtliga poster. "Exit" är då markerad. Tryck på [OK] (47) för att lämna programmeringsmenyn.

O. Förstora eller förminska bilden

Tryck en eller flera gånger på [ZOOM] (52) på fjärrkontrollen för att förstora bilden. Displayen visar aktuell förstoring, 2, 3 eller 4 gångers förstoring. Använd navigationsknapparna (38) för att flytta det förstora området på bilden.

P. Bildvinkel (DVD)

Under uppspelning: Tryck och håll in [ANGLE] (40b) för att visa och välja tillgängliga bildvinklar.

Obs! Fungerar endast med vissa DVD-skivor.

Q. Återgå till huvudmenyn och spela upp titeln

Under uppspelning: Tryck på [MENU] (44) för att komma till huvudmenyn. Tryck sedan på [TITLE] (35) för att spela upp vald titel.

R. Uppspelning av MP3/MPEG4

1. Sätt i en CD- eller DVD-skiva som innehåller MP3- eller MPEG4-filer. Skärmen visar efter en liten stund de mappar som finns på skivan.
2. Använd navigationsknapparna (38) för att markera den mapp eller fil som du vill spela upp.
3. Tryck på [OK] (47) för att bekräfta och starta uppspelningen. Uppspelningen av den första filen i mappen startar automatiskt.
4. Använd [▶▶] (37) eller [◀◀] (36) för att gå till nästa eller föregående spår.
5. Tryck på [REPEAT] (51) för att byta uppspelningsläge.

S. Bildvisning

1. Sätt i en CD- eller DVD-skiva innehållande bilder med filformatet JPEG. Skärmen visar efter en liten stund de mappar som finns på skivan.
2. Använd navigationsknapparna för att markera den mapp eller bildfil som du vill visa. Tryck på [OK] (47) för att bekräfta.
3. Använd [▶▶] (37) eller [◀◀] (36) för att gå till nästa eller föregående bild. Under bildvisningen, tryck på navigationsknapparna för att rotera eller vända bilderna.
4. Tryck en eller flera gånger på [ZOOM] (52) för att förstora/förminska bilden.

T. Inställning av ljusstyrka och färgåtergivning

Du kan när som helst under uppspelningen ställa in skärmens ljusstyrka och färgåtergivning.

- Tryck på [BRI/COL] (34) på fjärrkontrollen för att ställa in skärmens egenskaper. Växla mellan ljusstyrka (BRI) och färg (COL) genom att trycka på [BRI/COL] (34). Justera sedan värdet med navigationsknapparna (38) höger och vänster.

6. Användning av externt minne (USB-minne och SD/MMC-minneskort)

1. Starta DVD-spelaren. Ställ strömbrytaren (15) i läge ON för att starta DVD-spelaren. Anslut ett SD/MMC-minneskort eller USB-minne med Audio/Video-filer till (17) resp. (18). DVD-spelaren hittar minnet automatiskt och läser in det efter några sekunder och alla mappar som finns på minnet visas på skärmen.
2. Filerna på minnet kan spelas upp på samma sätt som en MP3-skiva.

Obs! Tryck och håll in [■ STOP] (46) för att välja uppspelning från USB-minne, SD- eller MMC-minneskort med [▲▶▼◀] (38) på fjärrkontrollen.

7. Inställningar

1. Tryck på [SETUP] (43).
2. Använd navigationsknapparna (38) för att markera det som du vill ändra, tryck på [OK] (47) för att bekräfta.
3. Använd navigationsknapparna (38) för att göra ändringarna, tryck på [OK] (47) för att bekräfta.
4. Tryck på [SETUP] (43) för att avsluta och spara inställningarna.

Generell inställning

Benämning	Beskrivning
TV-Skärm	Ställer in TV-läge för ansluten extern skärm, välj mellan: Normal/PS, Normal/LB och Bred . Ställ in samma som din TV-apparat är inställd på.
LCD Mode	Ställer in önskat bildformat: 4:3 eller 16:9 på den inbyggda skärmen.
OSD Språk	Ställer in språket för DVD-spelarens menyer. Välj mellan: engelska, svenska och finska .
Skärmsläckare	Stäng av/aktivera skärmsläckare.

Audioinställning

Benämning	Beskrivning
Ljudmix	Ställ in ljudbild: LT/RT = Mixar ner från stereo till mono. STEREO = Mixar ner från 5.1-ljud till stereo.

Videoinställning

Beskrivning
Ställ in bildkvaliteten, t.ex. skärpa, ljusstyrka och kontrast. Ställ in värdena med navigationsknapparna och bekräfta med [OK] (47).

Preferenser

Benämning	Beskrivning
TV-typ	Ställer in TV-system för utsignalen på DVD-spelarens videoutgångar. Välj mellan NTSC (USA) , PAL (Europa) eller AUTO .
Ljud	Ställer in önskat ljudspår för DVD-skivor (om det finns möjlighet på skivan).
Textning	Ställer in önskat textspråk för DVD-skivor (om det finns möjlighet på skivan).
Menyspråk	Ställer in önskat språk för DVD-skivans menyer (om det finns möjlighet på skivan).
Föräldrakontroll	Denna inställning ger möjlighet att ställa in önskade restriktioner åt barnen för att förhindra att olämpliga filmer visas. Välj önskad grad mellan 1-8 (8 är att jämställa med vuxen).
Lösenord	Ställer in om lösenord ska användas eller inte.*
Ursprunglig	Återställer DVD-spelaren till fabriksinställningarna. Observera att lösenordet och nivån för föräldrakontrollen INTE återställs.
Exit Setup	Tryck OK för att lämna Inställningsmenyn.

* Byt lösenord:

1. Använd sifferknapparna (39) på fjärrkontrollen för att ange det nuvarande lösenordet.
2. Skriv in det nya lösenordet.
3. Skriv sedan in det nya lösenordet igen. Du kan alltid använda **1389** om du har glömt ditt eget lösenord.

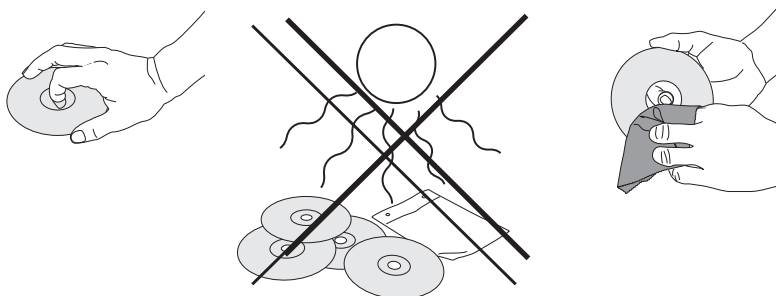
8. Skötsel och underhåll

Rengöring

- Dra alltid ur nätadaptersn stickpropp före rengöring.
- Se till att ingen vätska kommer in i DVD-spelaren.
- Använd endast en lätt fuktad trasa vid rengöring av höljets.
- Använd aldrig lösningsmedel eller starka rengöringsmedel.

Vårda skivorna

- Håll skivan i hålet och kanten när den hanteras för att undvika fingeravtryck och smuts på skivan.
- Böj inte skivan och utsätt den inte för direkt solljus eller annan värmekälla.
- Rengör endast skivorna med en torr mjuk trasa från centrum och utåt, använd aldrig rengöringsmedel eller starka lösningsmedel.
- Förvara skivorna i sina fodral.



9. Avfallshantering

När du ska göra dig av med produkten ska detta ske enligt lokala föreskrifter. Är du osäker på hur du ska gå tillväga, kontakta din kommun.

10. Specifikationer

Extern drivspänning: 9 V DC, 2000 mA (via medföljande nätadapter)

12 V DC, 2000 mA (via medföljande biladapter)

Effektförbrukning: 13 W

Skärmstorlek: 7"

Upplösning: 480 x 234 pixlar

Batterityp: Fjärrkontroll 2 x LR03/AAA (medföljer ej)

11. Felsökning

Felsymptom	Förslag till åtgärd
Enheten startar ej, eller slår plötsligt av sig själv.	<ul style="list-style-type: none">• Se till att batteriet är laddat.• Kontrollera att bil- eller nätadaptern är korrekt ansluten.• Starta om enheten genom att slå av och på strömbrytaren.
Enheten reagerar inte på fjärrkontrollens knappar.	<ul style="list-style-type: none">• Kontrollera att fjärrkontrollens batterier är korrekt isatta.• Sätt i nya batterier.• Se till att fjärrkontrollen är riktad mot sensorn på DVD-spelarens framsida.• Se till att inget föremål skymmer fjärrkontrollens signaler.
Ingen bild eller inget ljud.	<ul style="list-style-type: none">• Kontrollera att eventuella ljud- och bildkablar är korrekt anslutna.• Kontrollera att skivan som används är av typ: DVD, DVD-R, DVD-RW eller CD.• Se till att skivan är hel och repfri och är korrekt placerad med etiketten vänd uppåt.• Kontrollera att DVD-spelarens laserpickup inte är nedsmutsad. Kontakta kundtjänst om så är fallet.• Kontrollera att ev. ansluten TV-apparat är inställd på rätt kanal (VIDEO, AV, etc.).
Inget ljud	<ul style="list-style-type: none">• Se till att locket är öppet. När locket är stängt är ljudet endast aktiverat via någon av ljud- eller hörlursutgångarna.
Dåligt ljud eller dålig bild	<ul style="list-style-type: none">• Kontrollera skivan. Använd en ren och repfri skiva.

DVD-spiller med 2 stk. 7" TFT-skjermer

Art.nr 18-8181
38-3990

Modell DPU3270V+SSD70S-UK
DPU3270V+SSD70S

Les bruksanvisningen nøye før produktet tas i bruk, og ta vare på den for framtidig bruk. Vi reserverer oss mot ev. tekst- og bildefeil, samt forandringer av tekniske data. Ved tekniske problemer eller spørsmål, ta kontakt med vårt kundesenter. (Se opplysninger om kundesenteret i denne bruksanvisningen).

1. Sikkerhet

- Produktet må kun repareres av kyndig servicepersonell.
- Produktet må ikke demonteres eller endres på.
- Produktet er kun beregnet for innendørs bruk.
- Utsett aldri produktet for høye temperaturer, støt eller fuktighet.
- Plasser ikke produktet slik at det kan komme i kontakt med vann eller annen væske. Plasser aldri produktet i nærheten av gjenstander, som kan forårsake at vann eller annen væske skylles over produktet. Dette gjelder f.eks. blomstervase eller leskedrikk.
- Plasser ikke apparatet i et fuktig, støvete miljø eller der det forekommer sterke vibrasjoner.
- Skru av eventuell standby-funksjon om natten, og når du reiser bort.
- Langvarig eksponering av høyt volum kan føre til hørselsskader.
- Ved bruk plasseres produktet på en horisontal flate.
- Bruk kun den medfølgende biladapteren.



KLASSE 1 LASERAPPARAT

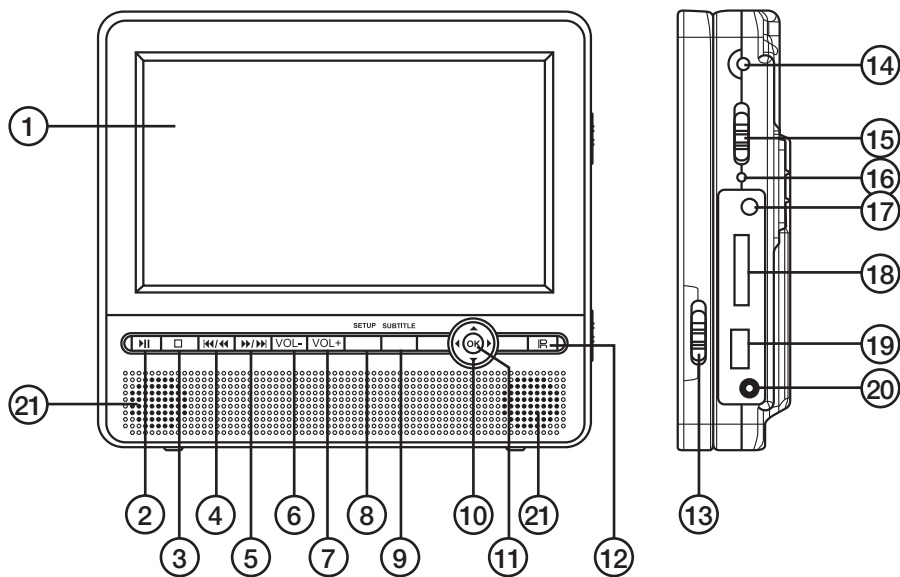
Advarsel! Dekselet må ikke åpnes. Usynlig laserstråler som kan føre til øyeskader. Rett ikke blikket mot strålen, og se ikke rett på den gjennom optiske instrumenter.

2. Forpakningen inneholder

- 1 stk. Dvd-spiller med TFT-skjerm
- 1 stk. Tvillingskjerm
- 1 stk. Fjernkontroll
- 2 stk. Headset
- 1 stk. Batterieliminatør
- 1 stk. Adapter for kobling til sigaretteneruttak
- 2 stk. Remmer for montering på nakkestøtte
- 1 stk. Bæreveske
- 1 stk. AV-kabel
- 1 stk. Strømkabel for sammenkobling av skjermer

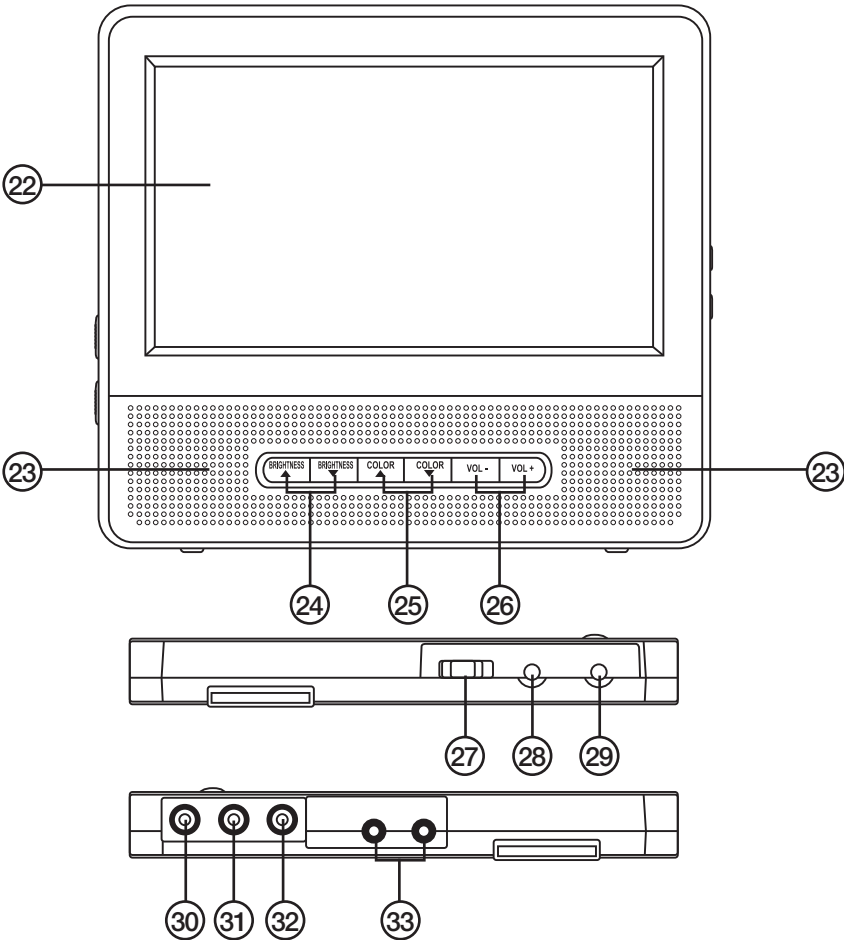
3. Knapper og funksjoner

DVD-spiller



1. TFT-skjerm
2. [▶ ||] – Start eller pause av avspilling
3. [■] – Stopper avspilling
4. [◀◀ / ◀] – Foregående spor / hurtigspoling bakover
5. [▶▶ / ▶] – Neste spor / hurtigspoling framover
6. [VOL -] – Volumkontroll, senke volumet
7. [VOL +] – Volumkontroll, heve volumet
8. [SETUP] – Innstillinger
9. [SUBTITLE] – Teksting
10. [◀▶▶▶ ▶] – Navigasjonsknapper
11. [OK] – Bekrefte valg
12. IR-sensor for fjernkontroll
13. [DISPLAY ON/OFF] – Strømbryter for skjerm
14. DC IN 9-12 V – Inngang for ekstern strømkilde
15. [POWER ON/OFF] – Strømbryter, stenger enheten helt
16. Indikatorlampe for av/på
17. VIDEO/AUDIO OUT – Utgang for video/lyd til tv
18. SD/MMC CARD – Tilkoblingspunkt for SD- eller MMC-minnekort
19. Usb-tilkobling
20. PHONES – Tilkobling for stereohøretelefoner (Ø 3,5 mm plugg)
21. Høyttaler – Venstre og høyre

Tvillingskjerm



- 22. TFT-skjerm
- 23. Høyttaler
- 24. BRIGHTNESS - Stiller inn skjermens lysstyrke
- 25. COLOR – Stiller inn farge
- 26. Volumkontroller – hever/ senker volumet
- 27. POWER ON/OFF – Strømbryter, stenger enheten helt
- 28. DC IN 9-12 V – Inngang for ekstern strømkilde
- 29. DC OUT 9-12 V – Utgang for hovedskjerm
- 30. VIDEO – Inngang for bilde
- 31. AUDIO – Inngang for lyd (venstre)
- 32. AUDIO – Inngang for lyd (høyre)
- 33. PHONES – Tilkobling for stereo-høretelefoner (3,5 mm plugg)

Fjernkontroll

Obs! Trykk på knappen i minst 3 sekunder for å komme til visse av knappenes alternative funksjon (b).

34. [BRI/COL] – Justere lysstyrke/farge

34b. [SCREEN ON/OFF] – Slå på/skru av skjermen

35. [TITLE] – Trykk for å gå til tittelmeny (under avspilling av dvd-platen)

36. [◀◀] – Foregående avsnitt

36b. [◀◀] – Hurtigspole bakover

37. [▶▶] – Neste avsnitt

37b. [▶▶] – Hurtigspole framover

38. [▲▶▶▼◀] – Navigasjonsknapper

39. [0 - 9] – Taltaster

40. [PROGRAM] – Velg program

40b. [ANGLE] – Endre bildevinkel (dersom filmen støtter den funksjonen)

41. [VOL -] – Volumkontroll, senke volumet

42. [MUTE] – Stenger lyden

43. [SETUP] – Se detaljerte innstillinger og foreta endringer

44. [MENU] – Under avspilling av dvd-platen: Trykk for å gå til dvd-ens hovedmeny

45. [DISPLAY] – Viser informasjon om platen

46. [■ STOP] – Stoppe spillingen

46b. [USB/SD/MMC CARD] – Velg avspillingsmedie: USB, SD, MMC-minne eller plate.

47. [OK] – Bekrefte valg

47b. [PLAY/PAUSE] – Start eller pause av avspilling

48. [SUBTITLE] – Velger språk på undertekst

49. [AUDIO] – Velger lydspor Ved avspilling av musikk: Trykk for å skifte mellom venstre, høyre, miks eller stereo. Under avspilling av dvd-platen: Trykk for å velge språk (dersom dette er tilgjengelig på platen).

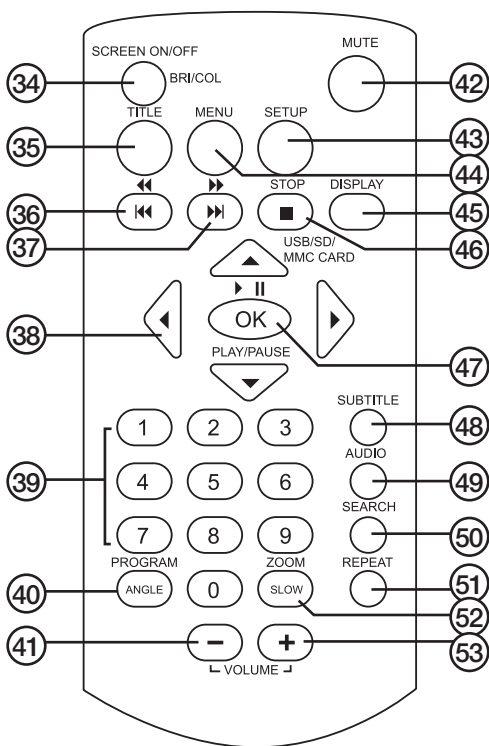
50. [SEARCH] – Under avspilling: Trykk under avspilling for å finne/velge hva som skal spilles.

51. [REPEAT] – Under avspilling: Trykk for selv å bestemme start- og stoppunkt i et avsnitt som skal repeteres. Trykk for å repetere et forhåndsinnstilt avsnitt, hela filmen eller hele dvd-platen.

52. [ZOOM] – Forstørre/forminske bildet

52b. [SLOW] – Spille av i slow-motion

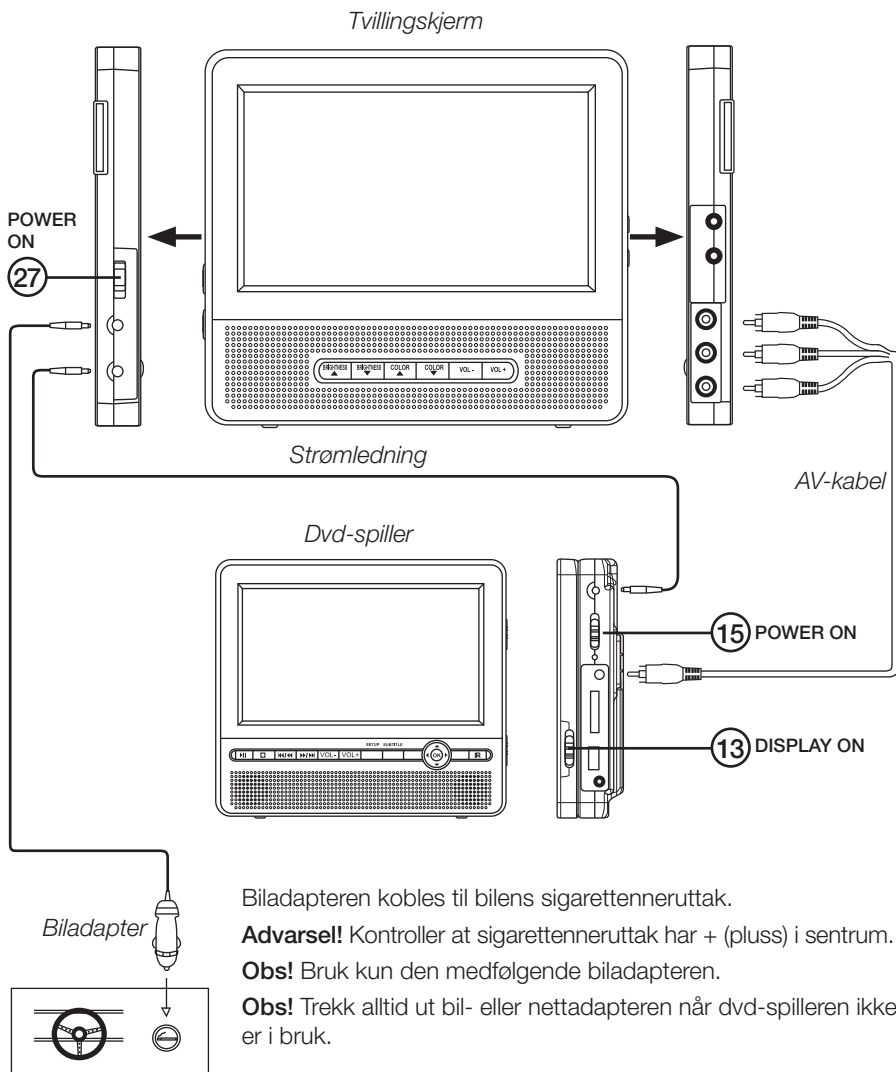
53. [VOL +] – Volumkontroll, heve volumet



4. Tilkoblinger

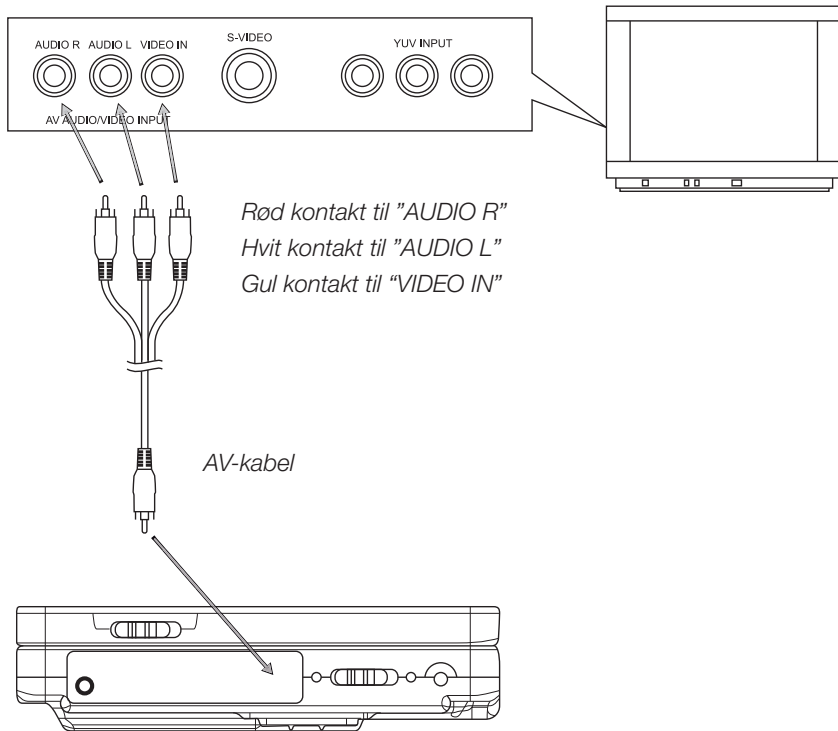
Tilkobling til tvillingskjerm

AV-kabelen og strømledningen må være tilkoblet mellom DVD-spilleren og tvillingskjermen.



Tilkobling til tv-apparat

1. Påse først at dvd-spillere og tv/hjemmekinoforsterkeren er stengt før tilkobling.
2. Koble AV-kabelen til VIDEO/AUDIO OUT (17) på dvd-spilleren.
3. Koble de 3 RCA-kontaktene på AV-kabelen til tv-apparatet, som vist på bildet.



5. Bruk

A. Starte dvd-spilleren

Sett strømbryteren (15) på **ON** for å starte enheten.

B. Bruk av fjernkontroll

Vend fjernkontrollen mot sensoren (12) på dvd-spillerens framside og trykk på ønsket knapp for ønsket funksjon.

C. Spille av cd- eller dvd-plate

Dvd-spillerens plateluke åpnes med **▲OPEN**. Plasser deretter platen i holderen med etiketten vendt oppover. Lukk luken. Platen leses automatisk inn.

D. Justere volumet

Trykk på [VOL+] eller [VOL-] for å heve eller senke volumet. Trykk på [MUTE] for å skru lyden av helt.

E. Gå til neste/foregående spor/avsnitt

Bruk knappene [◀◀] (36) eller [▶▶] (37) for å gå til foregående eller neste.

F. Hurtigspoling

- Trykk på [◀◀] (36b) eller [▶▶] (37b) for å hurtigsøke bakover eller framover i et avsnitt. En markering i displayet viser aktuell hastighet på hurtigspolingen.
- Hold knappen inne ytterligere en liten stund for å endre hastigheten på hurtigspolingen. Du kan velge mellom 2, 4, 8, 16 eller 32 ganger raskere avspilling.
- Trykk på [PLAY/PAUSE] (47b) for å gå tilbake til normal avspilling.

G. Stopp avspillingen

Ved spilling av film:

- Trykk en gang på [■STOP] (46) for å stoppe spillingen. Trykk på [PLAY/PAUSE] (47b) for å starte avspillingen igjen. Den vil starte der du stoppet den.
- Trykk en gang til på [■ STOP] (46) for å stoppe spillingen helt og å gå til starten på platen.

Ved avspilling av musikk:

- Trykk på [■ STOP] (46) for å stoppe avspillingen.

H. Slow-Motion avspilling (dvd)

Trykk inn [ZOOM/SLOW] (52b) på fjernkontrollen og hold den inne ved avspilling. Platen vil spilles opp i 1/2 hastighet. Trykk flere ganger for å endre hastigheten ti 1/4, 1/8 osv. Trykk [PLAY/PAUSE] (47b) for å gå tilbake til normal avspilling.

I. Repetisjon

Trykk på [REPEAT] (51) på fjernkontrollen ved avspilling. Et kapittel eller en mappe spilles av eller alt repeteres (dvd). Repeterer et spor eller alle spor (cd), eller foretar repetisjon mellom to punkter (A – B).

J. Søke etter et bestemt avsnitt

1. Trykk på [SEARCH] (50) gjentatte ganger ved avspilling for å søke etter ønsket tittel, avsnitt eller spor.
2. Angi ønsket avsnitt eller tid med talltastene (39).
3. Trykk på [OK] (47) for å bekrefte og å starte avspillingen.
4. Vent litt til spilleren går tilbake til normal visning, automatisk.

K. Vise informasjon om avspilling

Under avspilling: Trykk inn [DISPLAY] (45) og hold den inne for å vise informasjonen om avspillingen. Informasjonen vises i displayets øvre del.

L. Endre språk for lydspor (dvd)

Trykk en eller flere ganger på [AUDIO] (49) for å velge andre lydspor. Aktuelt språk vises i displayet. Aktuelt lydbilde vises i displayet.

Obs! Fungerer kun på plater som inneholder flere spor.

M. Undertekster (dvd)

Under avspilling, trykk gjentatte ganger på [SUBTITLE] (48) for å velge språk på undertekst. Aktuelt språk vises i displayet.

Obs! Fungerer kun for enkelte dvd-plater.

N. Programmert avspilling

Inntil 20 spor kan forhåndprogrammeres

1. Trykk på [PROGRAM] (40) for å komme til programmeringsmodus.
2. Programmér titler og avsnitt i rekkefølge med talltastene (39). Velg filer i programmeringsruten med navigasjonsknappene (38). **Obs!** Hvis for eksempel avsnitt 2 skal programmeres inn, angi "02".
3. For å starte den programmerte avspillingen, gå til START på programmeringsmenyen og trykk deretter OK.
4. Programmeringen endres slik: Benytt navigasjonsknappene (38) og plasser deg på sporet som skal endres. Programmer inn ny ønsket tittel og avsnitt med talltastene (39). **Obs!** Dette fungerer ikke dersom du allerede har startet den programmerte avspillingen.
5. Programmeringslisten kan slettes slik (under avspilling): Trykk på [Program] (40). I programmeringsmenyen er da STOP markert. Trykk på OK for å slette samtlige poster. EXIT er da markert. Trykk på OK for å forlate programmeringsmenyen.

O. Forstørre eller forminske bildet

Trykk en eller flere ganger på knappen ZOOM for å forstørre eller forminske bildet. Displayet viser aktuell forstørrelse: 2, 3 eller 4 gangers forstørrelse. Bruk navigasjonsknappene for å flytte det forstørrede området på bildet.

P. Bildevinkel (dvd)

Under avspilling: trykk og hold [ANGLE] (40b) inne for å vise og å velge tilgjengelig bildevinkler.

Obs! Fungerer kun for enkelte dvd-plater.

Q. Gå tilbake til hovedmenyen og spill av tittelen

Under avspilling: Trykk på [MENU] (44) for å komme til hovedmenyen. Trykk deretter på [TITLE] (35) for å spille den valgte tittelen.

R. Spilling av MP3/MPEG4

1. Sett i en cd- eller dvd-plate som inneholder mp3- eller mpeg4-filer. Skjermen viser etter en liten stund de mapper som er på platen.
2. Bruk navigasjonsknappene (38) for å markere den mappe eller fil som du vil spille av.
3. Trykk på [OK] (47) for å bekrefte og å starte avspillingen. Avspilling av den første filen i mappen starter automatisk.
4. Bruk knappene [▶▶] (37) eller [◀◀] (36) for å gå til neste eller foregående.
5. Trykk på [REPEAT] for å skifte avspillingsmodus.

S. Bildevising

1. Sett i en cd- eller dvd-plate som inneholder bilder i filformatet JPEG. Skjermen viser etter en liten stund de mapper som er på platen.
2. Bruk navigasjonsknappene for å merke en mappe eller bildefil som skal vises. Trykk på [OK] (47) for å bekrefte.
3. Bruk knappene [▶▶] (37) eller [◀◀] (36) for å gå til neste eller foregående bilde. Under bildeframvisningen, trykk på navigasjonsknappene for å rotere eller vende på bildene.
4. Trykk en eller flere ganger på knappen [ZOOM] (52) for å forstørre eller forminske bildet.

T. Innstilling av lysstyrke og fargegjengivelse

Du kan når som helst under avspillingen stille inn skjermens lysstyrke og fargegjengivelse.

- Trykk på [BRI/COL] (34) på fjernkontrollen for å stille inn skjermens egenskaper. Skift mellom lysstyrke (BRI) og farge (COL) ved å trykke på [BRI/COL] (34). Juster verdiene med navigasjonstastene høyre og venstre.

6. Bruk av eksternt minne (usb eller sd-/mmc-minnekort)

1. Start spilleren. Sett strømbryteren (15) på **ON** for å starte enheten. Minnekort eller usb-minne kobles til med Audio/Video-filer til (17) og (18). (18). Dvd-spilleren finner minnet automatisk. Alle mappene i minnet vises på skjermen.
2. Filene fra minnet kan spilles av på samme måte som fra en mp3-plate.

Obs! Trykk inn og hold [■ STOP] (46) inne for å velge mellom usb, sd- eller mmc-minne. Benytt navigasjonstastene [▲▶▼◀] (38) på fjernkontrollen.

7. Innstillinger

1. Trykk på [SETUP] (43).
2. Bruk navigasjonsknappene for å markere det som skal endres og trykk OK for å bekrefte.
3. Trykk på [SETUP] (43) for å avslutte og å lagre innstillingene.

Generelle innstillinger

Benevning	Beskrivelse
Tv-skjerm	Stiller inn TV-modus. Velg mellom Normal/PS , Normal/LB og Bred . Still inn på det samme som tv-apparatet er innstilt på.
LCD Mode	Stiller inn ønsket bildeformat. 4:3 benyttes på tradisjonelle bildeskjermer; 16:9 benyttes på bredbildeskjermer (widescreen).
Skjermsspråk	Still inn språk for dvd-spillerens menyer. Velg mellom engelsk , svensk og finsk .
Skj.sparer	Slår av/på skjermbeskytteren.

Lydoppsett

Benevning	Beskrivelse
Nedmiksing	Stiller inn lydbilde. LT/RT = Mikser ned fra stereo til mono. STEREO = Mikser ned fra 5.1-lyd til stereo.

Videoinnstillinger

Beskrivelse
Stiller inn bildekvaliteten som f.eks. skarphet, lysstyrke og kontrast. Still inn verdiene med navigasjonsknappene og bekreft med [OK].

Preferanser

Benevning	Beskrivelse
TV-type	Stiller inn tv-system for utsignalet på dvd-spillerens videoutganger. Velg mellom NTSC (USA) , PAL (Europa) eller AUTO .
Audio	Stiller inn ønsket lydspor for dvd-plater (dersom det er spor tilgjengelig på platen).
Teksting	Stiller inn ønsket tekstspor for dvd-plater (dersom det er spor tilgjengelig på platen).
Menyspråk	Stiller inn ønsket språk for dvd-platenes menyer (dersom det er spor tilgjengelig på platen).
Foreldre-kontroll	Denne innstilling gir mulighet til å stille inn ønskede restriksjoner til barna for å forhindre at uønskede filmer vises. Velg ønsket grad (1 – 8 , hvor 8 er "voksenfilmer").
Passord	Stiller inn om passord skal brukes eller ikke.*
Standard	Tilbakestiller dvd-spilleren til fabrikkinnstillinger. Vær oppmerksom på at passordet og nivået for barnesikringen IKKE tilbakestilles.
Exit Setup	Trykk OK for å forlate Innstillingsmenyen.

* Skift passord:

1. Bruk talltastene på fjernkontrollen for å skrive inn det nåværende passordet.
2. Skriv deretter inn det nye passordet.
3. Skriv deretter inn det nye passordet, en gang til. Passordet **1389** kan alltid benyttes dersom du har glemt ditt eget.

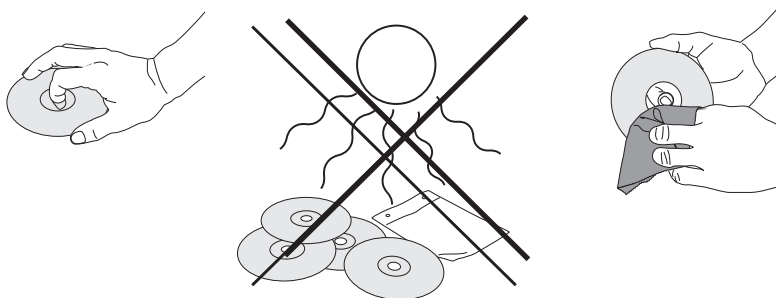
8. Stell og vedlikehold

Rengjøring

- Trekk alltid ut strømledningen før rengjøring.
- Påse at det ikke kommer væske inn i dvd-spilleren.
- Bruk kun en lett fuktet klut ved rengjøring av dekkelet.
- Bruk aldri løsemidler eller sterke rengjøringsmidler.

Stell av plater

- Hold platen i hullet og på kanten når du håndterer den, så det ikke kommer fingeravtrykk på selve platen.
- Platen må ikke bøyes eller utsettes for direkte sollys eller annen varme.
- Platene skal kun rengjøres med en tørr myk klut. Stryk fra sentrum av platen og utover. Bruk aldri rengjøringsmidler eller sterke løsemidler.
- Oppbevar platene stående i sine futteraler.



9. Avfallshåndtering

Når produktet skal kasseres, må det skje i henhold til lokale forskrifter. Ved usikkerhet, ta kontakt med lokale myndigheter.

10. Spesifikasjoner

Ekstern spenning:	9 V DC, 2 000 mA (via medfølgende nettdapter)
	12 V DC, 2 000 mA (via medfølgende biladapter)
Effektforbruk:	3 W
Skjermstørrelse:	7"
Oppløsning:	480 x 234 piksler
Batteritype:	Fjernkontroll: 2 x LR03/AAA (medfølger ikke)

11. Feilsøking

Feil	Forslag til tiltak
Enheten starter ikke, eller den skrur seg plutselig av.	<ul style="list-style-type: none">• Påse at batteriet er ladet opp.• Påse at bil- eller nettadapteren er riktig koblet til.• Start enheten på nytt ved først å slå av for så å skru på strømbryteren igjen.
Produktet reagerer ikke på fjernkontrollens knapper.	<ul style="list-style-type: none">• Sjekk at fjernkontrollens batterier er satt i riktig.• Sett i nye batterier.• Påse at fjernkontrollen er rettet mot sensoren på dvd-spillerens framside.• Påse at ingen andre gjenstander forstyrrer fjernkontrollens signaler.
Ikke noe bilde eller lyd.	<ul style="list-style-type: none">• Kontroller at ev. lyd- og bildekabler er riktig koblet til.• Kontroller at platen er av en av følgende typer: dvd, dvd-r, dvd-rw eller cd.• Sjekk at platen er hel og fri for riper, og at den er riktig plassert, med etiketten vendt oppover.• Kontroller at spillerens laserpickup ikke er skitten. Hvis det er tilfelle, ta kontakt med kundetjenesten.• Kontroller at ev. tilkoblet tv-apparat er innstilt på riktig kanal (VIDEO, AV, etc.).
Ingen lyd.	Påse at lokket er åpent. Når lokket er stengt er lyden kun aktivert via lydutgangene.
Dårlig lyd/bilde.	Kontroller platen. Bruk en ren og ripefri plate.

Kannettava DVD, jossa kaksi 7":n TFT-näyttöä

Tuotenumero: 38-3990
18-8181

Malli: DPU3270V+SSD70S-UK
DPU3270V+SSD70S

Lue käyttöohjeet ennen tuotteen käyttöönottoa. Säilytä käyttöohjeet tulevaa tarvetta varten. Pidätämme oikeuden teknisten tietojen muutoksiin. Emme vastaa mahdollisista teksti- tai kuvavirheistä. Jos laitteeseen tulee teknisiä ongelmia, ota yhteys myymälään tai asiakaspalveluun (yhteystiedot käyttöohjeen lopussa).

1. Turvallisuus

- Laitteen saa korjata vain alan asiantuntija.
- Älä pura tai muuta laitetta.
- Tuote on tarkoitettu vain sisäkäyttöön.
- Älä altista laitetta liian korkeille lämpötiloille, iskuille, kosteudelle tai vedelle.
- Älä sijoita laitetta sellaiseen paikkaan, josta se voi tippua veteen tai muuhun nesteeseen. Älä laita laitteen päälle nesteitä sisältäviä esineitä, kuten maljakoita tai limsapulloja.
- Älä käytä laitetta kosteissa tai pölyisissä tiloissa tai paikoissa, joissa siihen kohdistuu voimakasta värähtelyä.
- Sammuta mahdollinen valmiustila ja irrota pistoke yön ajaksi ja kun poistut kotoa.
- Älä kuuntele kuulokkeista kovaäänistä musiikkia pitkäkestoisesti, se voi vahingoittaa kuuloasi.
- Sijoita laite vaakatasossa olevalle pinnalle käytön ajaksi.
- Käytä vain pakkauksen mukana toimitettua autoadapteria.



LUOKAN 1 LASERLAITE

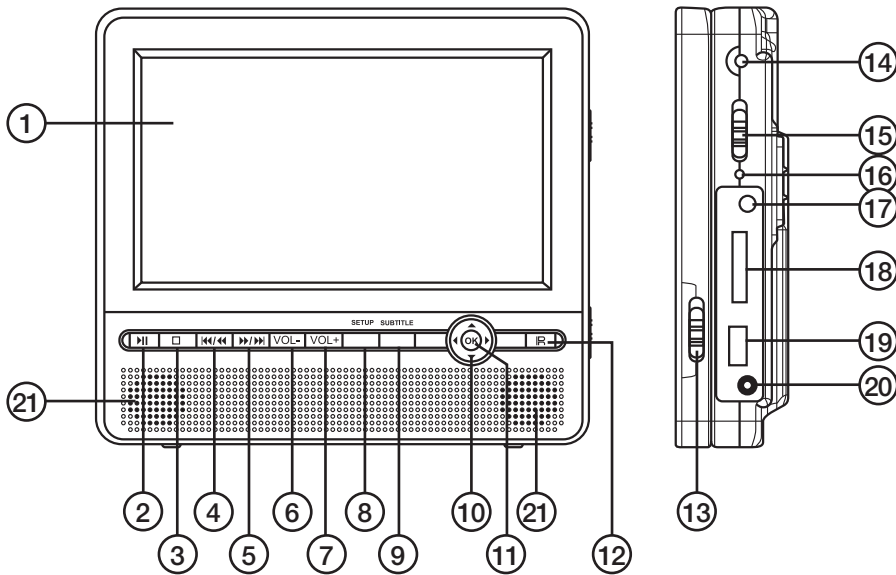
Varoitus! Älä avaa laitteen kotelo!
Näkymätön lasersäde voi aiheuttaa silmävaurioita. Älä katso säteeseen edes optisten instrumenttien läpi.

2. Pakkauksen sisältö

- 1 kpl Dvd-soitin, jossa on TFT-näyttö
- 1 kpl Rinnakkaisnäyttö
- 1 kpl Kaukosäädin
- 2 kpl Kuulokkeet
- 1 kpl Muuntaja
- 1 kpl Autosovitin savukkeensytytinliitäntään
- 2 kpl Hihnat niskatukiasennukseen
- 1 kpl Kantolaukku
- 1 kpl AV-kaapeli
- 1 kpl Näyttöjen välinen virtakaapeli

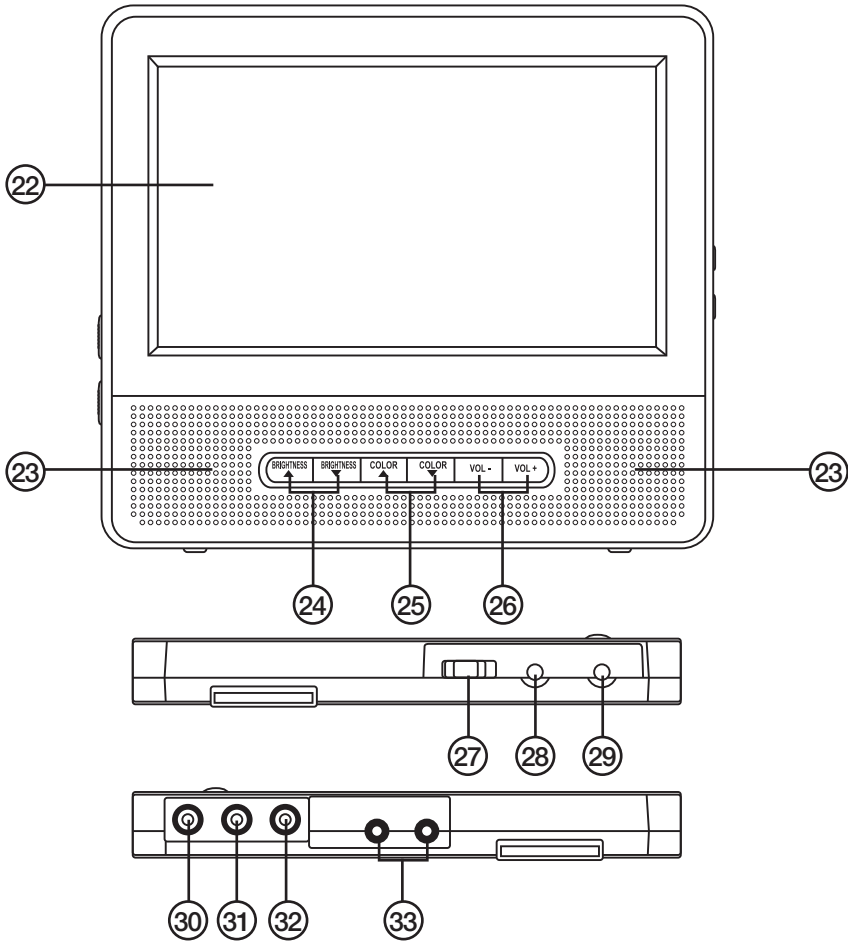
3. Painikkeet ja toiminnot

Dvd-soitin



1. Tft-näyttö
2. [▶ II] – Aloita tai keskeytä toisto
3. [■] – Lopettaa toiston
4. [◀◀ / ◀] – Edellinen raita/pikakelaus taaksepäin
5. [▶▶ / ▶] – Seuraava raita/pikakelaus eteenpäin
6. [VOL-] – Äänenvoimakkuuden alentaminen
7. [VOL+] – Äänenvoimakkuuden lisääminen
8. [SETUP] – Asetukset
9. [SUBTITLE] – Tekstitys
10. [◀▶▶▶ ▲] – Navigointipainikkeet
11. [OK] – Valinnan vahvistaminen
12. Infrapunatunnistin kaukosäädintä varten
13. [DISPLAY ON/OFF] – Näytön virtakytkin
14. DC IN 9-12 V – Ulkoisen virtalähteen sisääntulo
15. [POWER ON/OFF] – Sammuttaa laitteen kokonaan
16. Päällä-tilan merkkivalo
17. VIDEO/AUDIO OUT – Television äänen/videon liitântä
18. SD/MMC CARD – SD- tai MMC-muistikorttiliitântä
19. USB-liitântä
20. PHONES – Kuulokeliitântä (3,5 mm:n liitântä)
21. Kaiuttimet – Vasen ja oikea

Rinnakkaisnäyttö

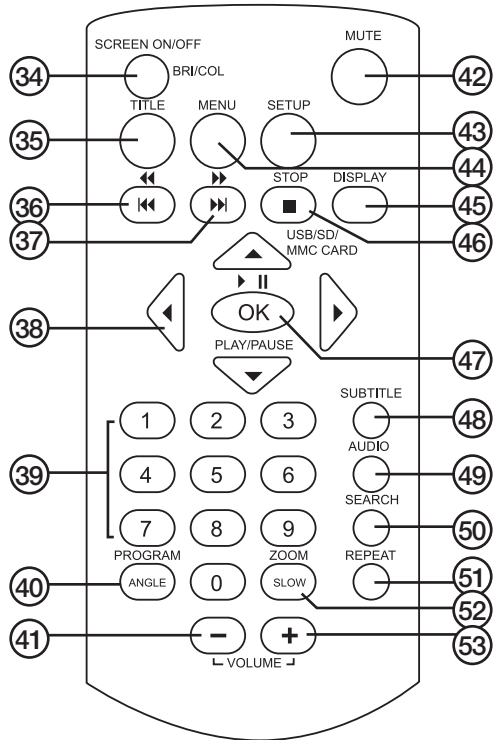


- 22. Tft-näyttö
- 23. Kaiuttimet
- 24. BRIGHTNESS – Valonvoimakkuuden säätäminen
- 25. COLOR – Värien asetukset
- 26. Ääniohjaimet – Äänenvoimakkuuden laskeminen/nostaminen
- 27. POWER ON/OFF – Sammuttaa laitteen kokonaan
- 28. DC IN 9-12 V – Ulkoisen virtalähteen sisääntulo
- 29. DC OUT 9-12 V – Ulostulo pääyksikköön
- 30. VIDEO – Videoliitäntä
- 31. AUDIO – Vasen ääniliitäntä
- 32. AUDIO – Oikea ääniliitäntä
- 33. PHONES – Kuulokeliitäntä (3,5 mm:n liitäntä)

Kaukosäädin

Huom! Paina painiketta vähintään kolmen sekunnin ajan nähdäksesi tiettyjen painikkeiden vaihtoehtoiset toiminnot (b).

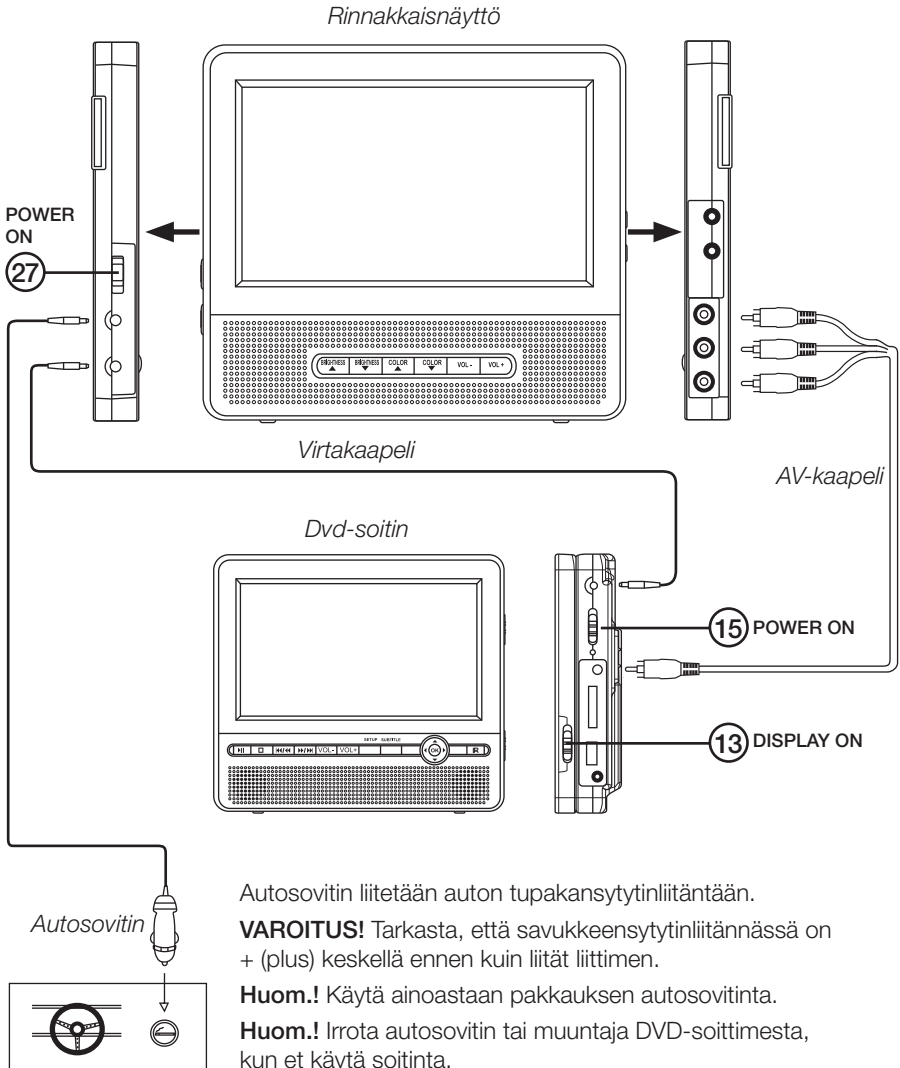
34. [BRI/COL] – Valonvoimakkuuden/värin säätäminen
- 34b. [SCREEN ON/OFF] – Näyttö päälle tai pois päältä
35. [TITLE] – Siirry dvd:n nimivalikkoon (dvd-levyn toiston aikana).
36. [◀◀] – Edellinen kappale
- 36b. [◀◀] – Pikakelaus taaksepäin
37. [▶▶] – Seuraava kappale
- 37b. [▶▶] – Pikakelaus eteenpäin
38. [▲▶▶▼◀] – Navigointipainikkeet
39. [0–9] – Numeropainikkeet
40. [PROGRAM] – Valitse ohjelma
- 40b. [ANGLE] – Muuta kuvakulmaa (jos elokuva tukee toimintoa)
41. [VOL–] – Äänenvoimakkuuden alentaminen
42. [MUTE] – Äänen mykistys
43. [SETUP] – Katsele asetuksia ja muuta niitä
44. [MENU] – Dvd-levyn toiston aikana: Paina palataksesi dvd:n päävalikkoon
45. [DISPLAY] – Levyn tiedot
46. [■ STOP] – Toiston keskeyttäminen
- 46b. [USB/SD/MMC CARD] – Valitse toiston lähde: USB, SD, MMC-muisti tai levy.
47. [OK] – Valinnan vahvistaminen
- 47b. [PLAY/PAUSE] – Aloita tai keskeytä toisto
48. [SUBTITLE] – Tekstityksen kielen valinta
49. [AUDIO] – Valitse ääniraita. Musiikkia toistettaessa: Valitse vasen, oikea, mix tai stereo. Dvd-levyn toiston aikana: Paina valitaksesi kielen (jos levyllä vaihtoehtona).
50. [SEARCH] – Toiston aikana: Valitse/etsi toistettava kohta toiston aikana painamalla painiketta.
51. [REPEAT] – Toiston aikana: Valitse uudelleentoistettavan jakson alku ja loppu. Toista valittu jakso, koko elokuva tai koko dvd-levy.
52. [ZOOM] – Suurena kuva
- 52b. [SLOW] – Hidastettu toisto
53. [VOL+] – Äänenvoimakkuuden lisääminen



4. Liitännät

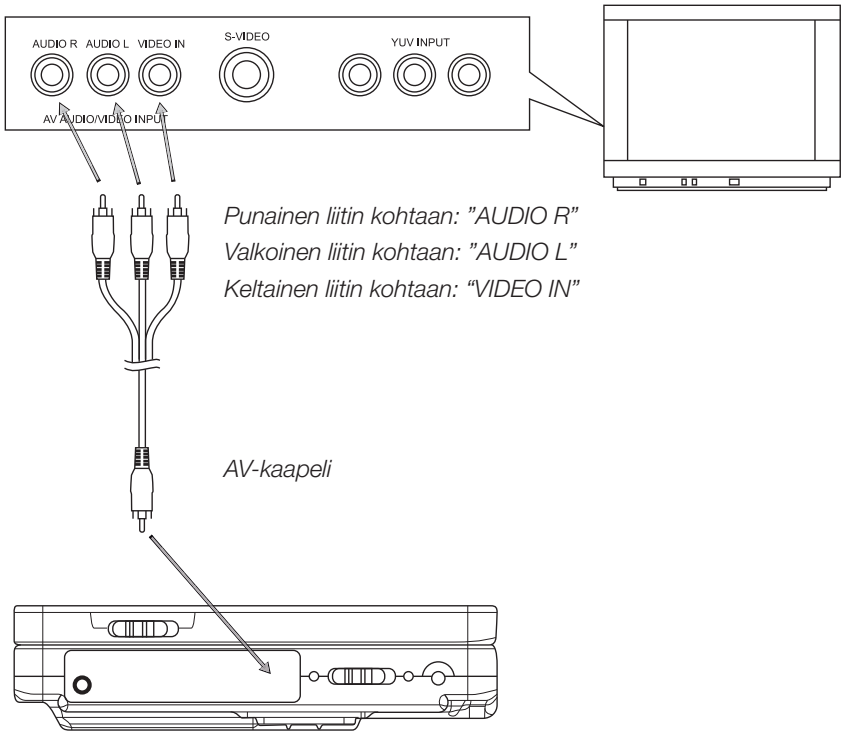
Toisen näytön liittäminen

AV-kaapelin ja virtajohdon on oltava liitettyinä dvd-soittimen ja rinnakkaisnäytön välille.



Liittäminen televisioon

1. Varmista ensin, että dvd-soitin ja televisio/kotiteatterivahvistin ovat pois päältä ennen liittämistä.
2. Liitä AV-kaapeli dvd-soittimen VIDEO/AUDIO OUT (17) -liitäntään.
3. Liitä AV-kaapelin 3 RCA-liitintä televisioon kuvan mukaisesti.



5. Käyttö

Dvd-soittimen käynnistäminen

Käynnistä laite asettamalla virtakytín (15) **ON**-asentoon.

B. Kaukosäätimen käyttö

Suuntaa kaukosäädin kohti dvd:n etupuolella olevaa tunnistinta (12) ja paina haluamaasi painiketta.

C. Cd- tai dvd-levyn toisto

Avaa kansi nostamalla ▲ OPEN-kohtasta ja laita kelkkaan levy etikettipuoli ylöspäin. Sulje dvd-kelkka. Levyn toisto alkaa automaattisesti.

D. Äänenvoimakkuuden säätö

Säädä äänenvoimakkuutta painamalla [VOL+] (53) tai [VOL-] (41). Mykistä ääni kokonaan painamalla [MUTE] (42).

E. Siirtyminen edelliseen tai seuraavaan raitaan/kappaleeseen

Siirry edelliseen tai seuraavaan jaksoon painamalla [◀◀] (36) tai [▶▶] (37).

F. Pikakelaus

- Pikakelaa eteen tai taakse pitämällä pohjassa [◀◀] (36b) tai [▶▶] (37b). Näytöllä näkyy pikakelauksen nopeus.
- Muuta pikakelauksen nopeutta painamalla painiketta vielä hetken ajan. Valittavanasi on 2-, 4-, 8-, 16- tai 32-kertainen nopeus.
- Palaa normaalitoistoon painamalla [PLAY/PAUSE] (47b).

G. Toiston keskeyttäminen

Elokuvaa toistettaessa:

- Lopeta toisto painamalla kerran [■ STOP] (46). Jatka toistoa painamalla [PLAY/PAUSE] (47b).
- Lopeta toisto kokonaan ja palaa levyn alkuun painamalla uudestaan [■ STOP] (46). Musiikkia toistettaessa:
- Lopeta toisto painamalla [■ STOP] (46).

H. Hidastettu toisto (DVD)

Paina [ZOOM/SLOW] (52b) kaukosäätimellä toiston aikana; levy toistaa 1/2-nopeudella. Paina useita kertoja muuttaaksesi nopeutta: 1/4, 1/8 tai 1/16. Palaa normaalitoistoon painamalla [PLAY/PAUSE] (47b).

I. Uudelleentoisto

Paina [REPEAT] (51) kaukosäätimellä toiston aikana. Soitin toistaa kappaleen/kansion tai uudelleentoistaa kaikki (DVD). Uudelleentoista yksi raita/kaikki raidat (CD), tai uudelleentoista kahden pisteen (A-B) välinen osa.

J. Tietyn kohdan haku

1. Hae haluamasi kohta painamalla [SEARCH] (50) useita kertoja toiston aikana.
2. Ilmoita haluamasi kappale tai aika numeropainikkeilla (39).
3. Vahvista ohjelmointi ja aloita toisto painamalla [OK] (47).
4. Soitin palautuu hetken kuluttua normaaliin näyttöön.

K. Toistotietojen katsominen

Toiston aikana: Katso toiston tietoja painamalla [DISPLAY] (45). Tiedot näkyvät näytön yläosassa.

L. Ääniraidan kielen muuttaminen (dvd)

Vaihda ääniraitaa painamalla useita kertoja [AUDIO] (49). Valittu kieli näkyy näytöllä. Valittu ääniasetus näkyy näytöllä.

Huom.! Toimii vain levyillä, joissa on useampia ääniraitoja.

M. Tekstitys (dvd)

Valitse tekstityksen kieli painamalla toiston aikana [SUBTITLE] (48) niin monta kertaa, että löydät haluamasi tekstityskielen. Valittu kieli näkyy näytöllä.

Huom.! Toimii vain tietyissä DVD-levyissä.

N. Ohjelmoitu toisto

Laitteeseen voi ohjelmoida 20 eri ohjelmaa

1. Siirry ohjelmointitilaan painamalla [PROGRAM] (40).
2. Ohjelmoi järjestyksessä otsikot ja kappaleet numeropainikkeilla (39). Valitse tiedostot ohjelmointiruudusta navigointipainikkeilla (38). Huom! Jos haluat ohjelmoida esim. kappaleen 2, syötä "02".
3. Aloita ohjelmoitu toisto siirtymällä ohjelmointivalikon kohtaan "Start" ja painamalla sitten OK (47).
4. Muuta ohjelmointia seuraavasti: Valitse navigaatiopainikkeilla (38) syöttö, jota haluat muuttaa. Ohjelmoi uusi otsikko ja kappale numeropainikkeilla (39). **Huom!** Tämä toiminto ei ole käytössä, jos olet jo käynnistänyt ohjelmoidun toiston.
5. Tyhjennä ohjelmointilista toiston aikana seuraavalla tavalla: Paina [PROGRAM] (40). Ohjelmointilista on Stop merkittynä. Tyhjennä kaikki muistipaikat painamalla [OK] (47). Merkittynä on "Exit". Poistu ohjelmointivalikosta painamalla [OK] (47).

O. Kuvan suurentaminen tai pienentäminen

Suurena kuvaa painamalla kaukosäätimen [ZOOM] (52) -painiketta. Näytöllä näkyy valittu suurennos: 2-, 3- tai 4-kertainen. Siirrä suurennettua kohtaa navigointipainikkeilla (38).

P. Kuvakulma (dvd)

Toiston aikana: Valitse sopiva kuvakulma toiston aikana pitämällä pohjassa [ANGLE].

Huom.! Toimii vain tietyissä DVD-levyissä.

Q. Paluu päävalikkoon ja nimikkeen toistaminen

Toiston aikana: Palaa päävalikkoon [Menu]-painikkeella (44). Toista valitsemasi otsikko painamalla [TITLE] (35).

R. Mp3-/mpeg4-tiedostojen toisto

1. Aseta laitteeseen cd- tai dvd-levy, joka sisältää MP3- tai MPEG4-tiedostoja. Näytöllä näkyy hetken kuluttua levyllä olevat kansiot.
2. Siirry navigointipainikkeilla (38) haluamasi kansion kohdalle.
3. Vahvista ohjelmointi ja aloita toisto painamalla [OK] (47). Toisto alkaa automaattisesti.
4. Siirry edelliseen tai seuraavaan jaksoon painamalla [▶▶] (37) tai [◀◀] (36).
5. Vaihda toistotilaa painamalla [REPEAT] (51).

S. Kuvanäyttö

1. Aseta levylokeroon cd- tai dvd-levy, joka sisältää jpeg-formaatin kuvia. Näytöllä näkyy hetken kuluttua levyllä olevat kansiot.
2. Valitse kansio tai kuvatiedosto navigointipainikkeilla. Vahvista valinta painamalla [OK] (47).
3. Siirry edelliseen tai seuraavaan kuvaan painamalla [▶▶] (37) tai [◀◀] (36). Käännä tai pyöritä kuvaa kuvaesityksen aikana navigointipainikkeilla.
4. Paina ZOOM-painiketta (52) yhden tai useamman kerran suurentaaksesi tai pienentääksesi kuvaa.

T. Valonvoimakkuuden ja värintoiston säätäminen

Voit säätää näytön valonvoimakkuutta ja värintoistoa milloin tahansa toiston aikana.

- Säädä näytön ominaisuuksia painamalla kaukosäätimen [BRI/COL]-painiketta (34). Vaihda valonvoimakkuuden (BRI) ja värin (COL) välillä painamalla [BRI/COL] (34). Säädä sitten arvoa navigointipainikkeilla (38) oikealle tai vasemmalle.

6. Ulkoisen muistin (USB ja SD/MMC) käyttäminen

1. Käynnistä dvd-soitin asettamalla virtakytkin (15) ON-asentoon. Liitä SD/MMC-muistikortti tai USB-muisti, johon on tallennettu Audio/Video-tiedostoja liitäntään (17) tai (18). Dvd-soitin löytää muistin automaattisesti ja lukee sen muutaman sekunnin kuluttua, ja kaikki muistilla olevat tiedostot näkyvät näytöllä.
2. Muistin tiedostot voidaan toistaa samalla tavalla kuin mp3-levy.

Huom.! Paina [■ STOP] (46) valitaksesi toiston USB-, SD- tai MMC-muistilta kaukosäätimen [▲▶▼◀]-painikkeilla.

7. Asetukset

1. Paina [SETUP] (43).
2. Merkitse muutettava kohta navigointipainikkeilla (38), vahvista painamalla [OK] (47).
3. Tee muutokset navigointipainikkeilla (38), vahvista painamalla [OK] (47).
4. Lopeta asetusten teko ja tallenna asetukset painamalla [SETUP] (43).

Yleiset asetukset

Nimike	Kuvaus
Näyttö	Säätää liitetyn näytön TV-tilan. Valitse seuraavista: Normaali/PS, Normaali/LB ja Laaja . Valitse sama asetusta kuin tv:ssä.
LCD MODE	Kuvasuhteen valitseminen. 4:3 tai 16:9 .
OSD-kieli	Valitse dvd-soittimen valikoiden kieli. Valitse seuraavista: englanti, ruotsi ja suomi .
Näytönsäästäjä	Sammuta/aktivoi näytönsäästäjä.

Audioasetukset

Nimike	Kuvaus
Äänen miksaus	Ääniasetusten valinta: LT/RT = Miksaa stereosta monoona. STEREO = Miksaa 5.1 -äänestä stereoon.

Videoasetukset

Kuvaus
Kuvan laadun valinta, esim. tarkkuus, kirkkaus ja kontrasti. Aseta arvot navigointipainikkeilla ja vahvista painalla [OK] (47).

Asetukset

Nimike	Kuvaus
TV-tyyppi	Asettaa tv-järjestelmän dvd-soittimen videoliitännän signaalin mukaan. Vaihtoehtoina ovat NTSC (USA), PAL (Eurooppa) ja AUTO .
Ääni	Valitse dvd-levyn tekstityskieli, jos valittavissasi on useita ääniraitoja.
Tekstitys	Valitse dvd-levyn ääniraita (jos valittavissasi on useita tekstityskieliä).
Valikko	Valitse dvd-levyn valikon kielen (jos valittavissasi on kieliä).
Lapsilukko	Aseta rajoituksia lapsille, jotta he eivät pääse katsomaan sopimattomia elokuvia. Valitse taso (1-8 , 8 on "aikuisten taso").
Salasana	Valitse käytetäänkö salasanaa*.
Alkuperäisasetukset	Dvd-soittimen tehdasasetusten palautus. Huomio, että salasana ja lapsilukon taso EIVÄT muutu.
Exit Setup	Poistu asetusvalikosta painamalla OK .

*Salasanan vaihtaminen:

1. Syötä nykyinen salasana kaukosäätimen numeropainikkeilla (39).
2. Syötä uusi salasana.
3. Syötä sitten uusi salasana uudelleen. Voit aina käyttää salasanaa **1389**, jos olet unohtanut omasi.

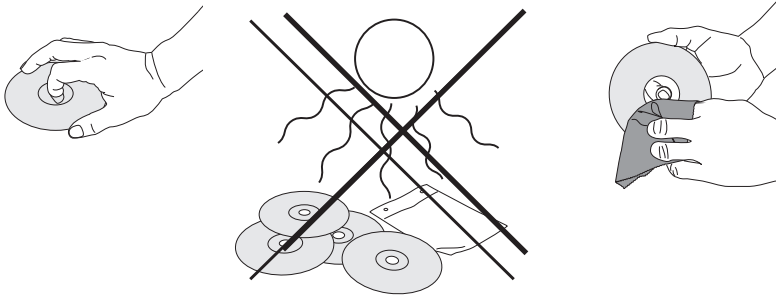
8. Huolto ja ylläpito

Puhdistus

- Irrota aina pistoke verkkovirrasta ennen laitteen puhdistusta.
- Varmista, että laitteeseen ei pääse kosteutta.
- Käytä kosteaa liinaa, kun puhdistat laitteen koteloa.
- Älä käytä voimakkaita puhdistusaineita tai liuottimia.

Käsittele levyjä oikein

- Pitele levyä reiästä ja reunasta. Näin vältät sormenjälkien ja lian kertymisen levyn pintaan.
- Älä taivuta levyä äläkä altista sitä suoralle auringonvalolle tai muulle lämmönlähteelle.
- Puhdista levyt kuivalla ja pehmeällä liinalla keskeltä ulospäin. Älä käytä puhdistusaineita tai vahvoja liuottimia.
- Säilytä levyjä koteloidissa.



9. Kierrätys

Kierrätä tuote asianmukaisesti, kun poistat sen käytöstä. Tarkempia kierrätysohjeita saat kuntasi jäteneuvonnasta.

10. Tekniset tiedot

Ulkoinen käyttöjännite:	9 V DC, 2000 mA muuntajalla (sisältyy) 12 V DC, 2000 mA (mukana tulevalla autosovittimella)
Tehonkulutus:	13 W
Näytön koko:	7"
Erotuskyky:	480 x 234 pikseliä
Paristo:	Kaukosäädin 2 kpl LR03/AAA (eivät sisälly).

11. Vianetsintä

Vika	Toimenpide
Soitin ei käynnisty tai kytkeytyy pois päältä.	<ul style="list-style-type: none">• Varmista, että akku on ladattu.• Varmista, että autosovitin tai muuntaja on liitetty oikein.• Käynnistä laite uudelleen painamalla se pois päältä ja takaisin päälle virtakytkimestä.
Soitin ei reagoi kaukosäätimeen.	<ul style="list-style-type: none">• Varmista, että kaukosäätimen paristot on asetettu oikein.• Vaihda vanhojen paristojen tilalle uudet.• Varmista, että suuntaat kaukosäätimen DVD-soittimen etupuolen tunnistinta kohti.• Varmista, ettei kaukosäätimen signaalia estä mikään esine.
Ei kuvaa tai ei ääntä.	<ul style="list-style-type: none">• Tarkista, että ääni- ja kuvakaapelit on liitetty oikein.• Tarkista, että toistettava auto on tyyppiä: dvd, dvd-r, dvd-rw ja cd.• Tarkista, että levy on ehjä eikä siinä ole naarmuja. Tarkista myös, että se on asetettu lokeroon etikettipuoli ylöspäin.• Tarkista, ettei soittimen laserlukupää ole likainen. Jos se on likainen, ota yhteyttä asiakaspalveluun.• Varmista, että televisio on asetettu oikealle kanavalle (video, av tms.)
Ei ääntä	<ul style="list-style-type: none">• Varmista, että kansi on auki. Kun kansi on suljettu, ääni aktivoituu vain ääni- tai kuulokeulostulojen kautta.
Huono kuva ja/tai huono ääni	<ul style="list-style-type: none">• Tarkista levyn kunto. Käytä ehjää ja naarmutonta levyä.

Sverige

Kundtjänst Tel: 0247/445 00
 Fax: 0247/445 09
 E-post: kundtjanst@clasohlson.se

Internet www.clasohlson.se

Post Clas Ohlson AB, 793 85 INSJÖN

Norge

Kundesenter Tlf.: 23 21 40 00
 Faks: 23 21 40 80
 E-post: kundesenter@clasohlson.no

Internett www.clasohlson.no

Post Clas Ohlson AS, Postboks 485 Sentrum, 0105 OSLO

Suomi

Asiakaspalvelu Puh: 020 111 2222
 Faksi: 020 111 2221
 Sähköposti: info@clasohlson.fi

Internet www.clasohlson.fi

Osoite Clas Ohlson Oy, Annankatu 34–36 A, 00100 HELSINKI

Great Britain

 For consumer contact, please visit
 www.clasohlson.co.uk and click on
 customer service.

Internet www.clasohlson.co.uk

clas ohlson