

Stereo System with Record Player

Musikanläggning med skivspelare

Musikkanlegg med platespiller

Ministereot ja levysoitin



Art.no.

38-4172

Model

HF-618AE

Ver. 201011

clas ohlson

English

Svenska

Norsk

Suomi

Stereo System with Record Player

Art. no 38-4172 Model HF-618AE

Please read the entire instruction manual before using the product and save it for future reference. We reserve the right for any errors in text or images and any necessary changes made to technical data. If you have any questions regarding technical problems please contact Customer Services.

Safety

- The product should only be repaired by qualified service technicians.
- The product should not be taken apart or modified.
- Do not place the product where there is a risk of it falling into water or other types of liquid. Do not place any objects which contain liquid on the product such as vases, drinks, etc.
- Make sure that the electrical outlet the device is plugged into is easily accessible since the plug is used to disconnect the device from the mains.
- Do not cover the product. Adequate ventilation with a distance of at least 15 cm between ventilation holes and the surrounding area is necessary to prevent the device from becoming too warm.
- Do not place the device in damp, dusty environments or where there are heavy vibrations.
- The standby switch on the front of the device does not disconnect the device from the mains. To completely disconnect the device from the mains the plug has to be removed from the socket.
- Prolonged exposure to high volume can damage your hearing.

Pay attention to these safety symbols



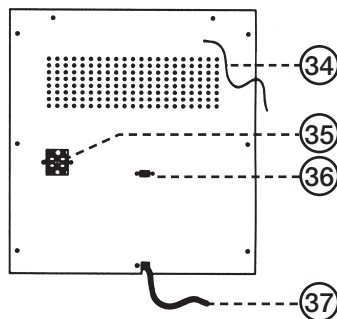
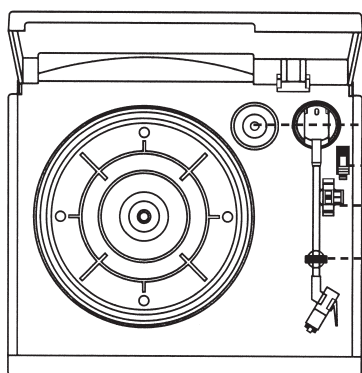
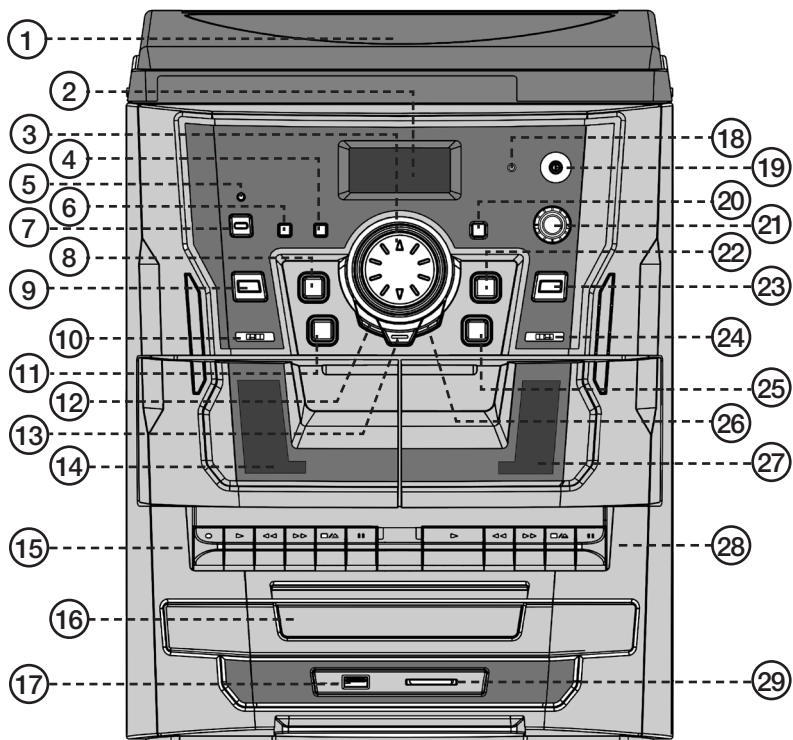
Caution: Do not open the casing! Certain unprotected components within the product's casing carry dangerous currents. Contact with these can lead to fire or give electric shocks.



Caution: Do not open the casing! Invisible laser beams can cause eye damage. Do not look directly into the laser beam or look directly at it using an optical instrument.

Product description

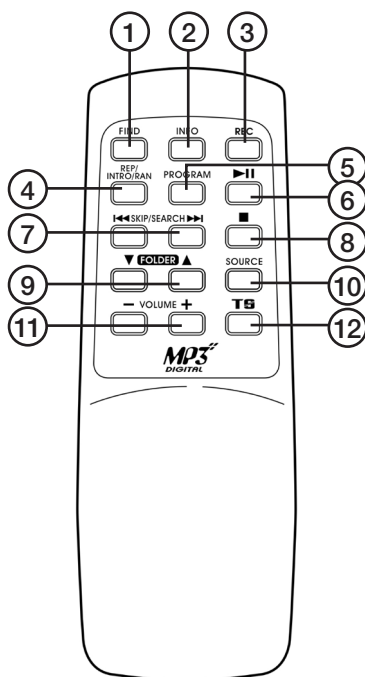
Main unit



1. Lid
2. Display
3. Volume up/down
4. X-BASS – Extra bass reproduction
5. Standby indicator lamp
6. DUBBING – Speed selector for high or normal speed cassette recording
7. ON/STANDBY – Standby switch
8. ■ – Stops CD/USB/SD playback
9. [SOURCE] – Selects audio [SOURCE]: CD/USB/SD
10. CD/USB/SD, TAPE, TUNER, PHONO – Function selector:
11. I◀◀ – Press once to skip back a track, hold down to rewind
12. REP/INTRO/RAN – Repeat/Intro/Random playback
13. ● REC – Record button for CD/USB/SD
14. Cassette door
15. Deck 1 control keys
 - a. ● – Record key
 - b. ▶ – Playback key
 - c. ◀◀ / ▶▶ – Fast rewind / fast forward key
 - d. ■▲ – Stop/Eject key
 - e. II – Pause key
16. CD door
17. USB – USB memory stick socket
18. FM stereo indicator
19. Headphone socket (3.5 mm stereo)
20. IR sensor for remote control
21. TUNING – Frequency adjusting knob
22. ▶II – Starts/Pauses CD/USB/SD playback
23. ▲ – Opens/closes CD door
24. AM/FM/FM-ST – Radio band selector
25. ▶▶I – Press once to skip to next track, hold down to fast forward
26. FOLDER UP – Select MP3 catalogue/folder
27. Cassette door
28. Deck 2 control keys
 - a. ▶ – Playback key
 - b. ◀◀ / ▶▶ - Fast rewind / fast forward key
 - c. ■▲ – Stop/Eject key
 - d. II – Pause key
29. Slot for SD/MMC memory card
30. Spindle adaptor
31. Tone arm lift lever
32. Speed control 33/45 rpm
33. Pickup needle holder
34. FM aerial
35. Speaker connection (right/left)
36. "Auto stop" switch
37. Mains lead outlet

Remote control

1. **FIND** – Search function for track titles and folders
2. **INFO** – Information about track titles
3. **REC** – Record button for CD/USB/SD
4. **REP/INTRO/RAN** – Repeat/Intro/Random playback
5. **PROGRAM** – Programming button for CD/USB/SD
6. **▶||** – Starts/Pauses CD/USB/SD playback
7. **◀◀** – Press once to skip back a track, hold down to rewind.
▶▶ – Press once to skip to next track, hold down to fast forward
8. **■** – Stops CD/USB/SD playback
9. **FOLDER ▲/▼** – Navigates folders for USB/SD/CD (with MP3 or WMA files)
10. **[SOURCE]** – Selects audio [SOURCE]: CD/USB/SD
11. **VOLUME +/-** – Increases/Decreases the volume
12. **TS (Track Separation)** – Divides a recording into several files



Connections

Connecting the speakers

- Connect the right and the left speakers to the right (R) and left (L) speaker outlets (35) on the back panel.

Connecting to the mains

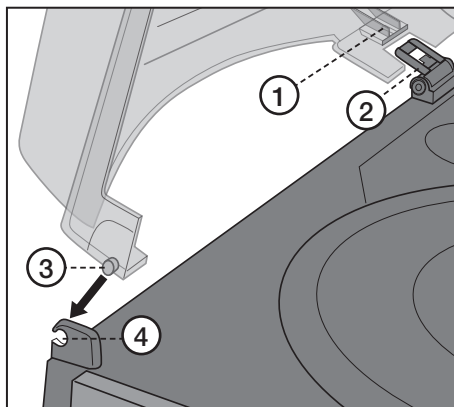
1. Connect the mains lead to a wall socket. Check that the voltage (V), on the rating plate on back of the device corresponds to your local electrical network (230 V AC, 50 Hz). Ask for advice from your retailer or a service centre if that is not the case.
2. To shut off power completely pull the plug from the wall socket. The device should also be unplugged during heavy thunderstorms to protect the stereo.

Assembly & installation

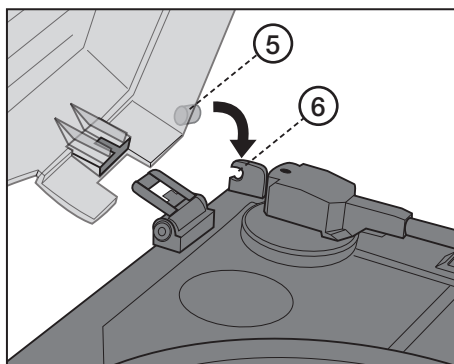
Mounting the lid

N.B. Figures (1 – 6) only refer to the illustrations in this section.

1. Make sure the hinge fitting (2) is completely folded outwards.
2. Slide the lid (1) onto the hinge fitting (2), but not all the way down.
3. First push the lid's left pin (3) into the record player's left bracket (4).



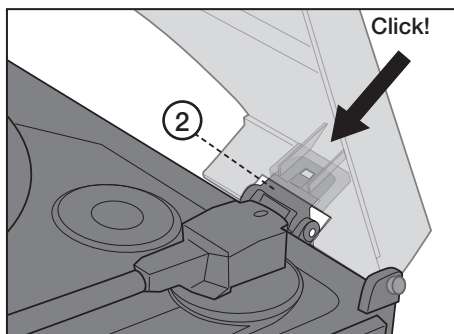
4. Push the lid's right pin (5) carefully into the record player's right bracket (6) to secure it.



5. At the same time, push the hinge fitting (2) into the slot on the lid until it clicks into place.

N.B.

Be careful when pushing the pins into the lid brackets. Incorrect mounting or excessive force can damage the pins or brackets.



Operation

Listening to the radio

FM

1. Set the function selector (10) to the **TUNER** position.
2. Set the band selector to either the **FM** (mono) or **FM-ST** (stereo) position.
3. Tune in the desired station using the tuning knob (21).
4. Position the aerial (34) until the best reception is received.
5. Adjust the volume to the desired level with the volume control knob (3).

AM

1. Set the function selector (10) to the **TUNER** position.
2. Tune in the desired station using the tuning knob (21).
3. Adjust the volume to the desired level with the volume control knob (3).

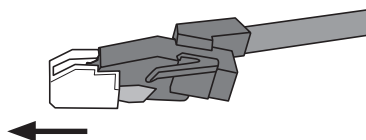
Receiving the best reception

AM: The player has a built-in aerial for AM reception. Reception can be improved by turning or moving the device.

FM: Position the wire aerial (34) in such a way that the best reception is received. The aerial should be completely unravelled for the best reception.

Listening to records

1. Remove the stylus cover from the tone arm by sliding it forward as shown in the diagram.
2. Set the function selector (10) to the **PHONO** position to turn the record player on.
3. Place a record on the turntable. Some 45 rpm records have larger spindle holes. In this case you will need to use the spindle adaptor (30).
4. Choose the appropriate speed for the record with the speed control (32).
5. Lift and hold the tone arm over the record. The turntable should begin to spin.
6. Carefully lower the tone arm at the beginning of the desired track.
7. Playback should now begin. Adjust the volume to the desired level with the volume control knob (3).
8. Return the tone arm to the pickup holder when playback has finished. The turntable should stop spinning.



N.B.

Some records end outside of the record player's "auto-stop" – range. This means that some records may stop playing even before finishing the last track. This can be remedied by switching "Auto stop" (36) to the **OFF** position.

N.B. The record will continue spinning even after the last track has been played. To stop the record set the "Auto stop" switch (36) to the **ON** position or set the function selector (10) to any other position than **PHONO**.

Listening to a CD

1. Set the function selector (10) to the **CD/USB/SD** position.
2. Open the CD compartment by pressing [OPEN/CLOSE] (23).
3. Place a CD (Audio or CD-R/CD-RW containing MP3 files) with the label facing upwards in the CD compartment.
4. Close the CD compartment by pressing [OPEN/CLOSE] (23).
5. After a moment, the track total will be shown in the display. If the disc contains MP3 or WMA files, you can browse through the folders using the [FOLDER UP] button (26). Use **◀◀** and **▶▶** to select a desired track in the chosen folder.
6. Press **▶||** (22) to start playback. The first track should begin playback.
7. Press **▶||** (22) again to temporarily stop playback. The current track number will flash in the display. Press **▶||** (22) again to resume playback.
8. To stop playback, press and hold **■** (8).

Selecting a different track

During playback or in pause mode use **◀◀** or **▶▶** (11, 25) to select another track.

1. Press **▶▶** once to reach the next track, or press repeatedly until the desired track reached.
2. Press quickly on **◀◀** to return to the beginning of the current track. Press the required number of times to return to a previous track.

Fast search

1. Press and hold **◀◀** or **▶▶** to search for a section in a track. The CD will play at high speed and low volume.
2. Release the button when you have reached the desired section. Normal playback should now resume.

N.B.

- The sound quality of MP3 files can vary depending on the quality of the CD or recording.
- The time it takes for the device to load an MP3 disc usually takes longer than for a regular CD.

Displaying titles (via the remote control)

- During playback of MP3 files, press the INFO button once on the remote to display or hide the current track's ID3 information.
- If no information is available for the track "NONE" or "UNKNOWN" will be shown in the display.

Searching tracks by title (via the remote)

You can search for a track by title/name.


1. When stopped press the remote's **FIND** button once.
2. Use **I◀◀** and **▶▶|** to browse the tracks by alphabetical order.
3. Press **▶II** (22) to start playback of the selected track.

Searching by folder (via the remote control)

You can search for a folder by title/name.

1. With playback stopped, press the remote control **FIND** button twice.
2. Use **▼** and **▲** to browse the folders in alphabetical order.
3. Press **▶II** (22) to start playback of the selected folder.

Repeated playback

- Press **REP/INTRO/RAN** (12) once or multiple times to repeat a track, album/folder (only MP3) or an entire CD.
- The repeated playback symbol  indicates which type of repeated playback is activated.

Random playback

- Press [REP/INTRO/RAN] once or repeatedly to activate random playback. "RAN" will start to flash in the display when the function is activated.
- Press once more on [REP/INTRO/RAN] or **■** (STOP) to deactivate random playback.

Intro (plays the beginning of each track)

- To save time when searching for a track, the first 10 seconds of each track are played.
- Press [REP/INTRO/RAN] once or repeatedly to start playback with the intro function. "INTRO" appears in the display when the function is activated.

N.B. The display can only show characters from the English alphabet.

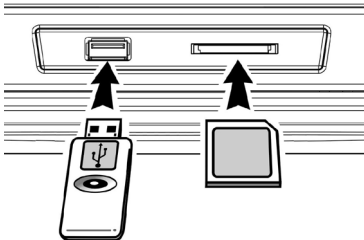
Programmed playback (via the remote control)

Up to 32 tracks can be programmed in any chosen order.

1. Stop playback by pressing ■ (STOP).
2. Press once on [PROGRAM] on the remote control. "PROG", both program number and track number will be shown in the display.
3. Use ◀◀ or ▶▶ to select a track for playback on the programmed playlist.
4. Confirm by pressing [PROGRAM] once. The track number will flash in the display.
5. Repeat steps 3 and 4 to programme in more tracks.
6. Press ▶▶ (22) to start playing your list.
7. Press ■ (STOP) to stop playback and clear the programme memory.

Playing MP3 or WMA files from a USB memory stick or memory card

The device can play MP3 and WMA files from a USB memory stick or SD/MMC memory card.

1. Insert a USB memory stick/memory card according to the figure. Make sure to insert the USB memory stick/memory card the right way round to ensure that the connectors are not damaged. Always push the USB memory stick/memory card straight in without twisting.
- 
2. Set the function selector (10) to the **CD/USB/SD** position and push [SOURCE](9) to select the USB (USB memory stick) or CARD (memory card). The display will show the selected [SOURCE], audio format and total number of tracks.
 3. After a moment, the track total will be shown in the display.
 4. Press [FOLDER] (26) once or repeatedly to select a folder for playback. The name of the folder will be shown in the display.
 5. Use ◀◀ and ▶▶ to select a desired track in the chosen folder.
 6. Press ▶▶ (22) to start playback.
 7. Press ▶▶ (22) again to temporarily stop playback. The current track number will flash in the display. Press ▶▶ (22) again to resume playback.
 8. To stop playback, press and hold ■ (8).

Using the cassette deck

1. Set the function selector (10) to the **CD/USB/SD** position.
2. Press **■▲** (STOP/EJECT) to open the cassette door.
3. Insert a tape and close the cassette door.
4. Press **▶** (PLAY) to start playback.
5. Press **||** (PAUSE) if you want to stop the tape temporarily. Press **||** again to resume playback.
6. By pressing **◀◀** or **▶▶**, you can fast forward or rewind the tape.
7. Press **■▲** (STOP/EJECT) to stop playback. The buttons are released automatically when the tape comes to an end, unless the **||** (PAUSE) button is pushed in.

Recording onto cassette

General recording information

- Recording is allowed as long as it does not break copyright law or other rights owned by a third party.
- The stereo automatically adjusts to the optimum recording level. It is impossible to adjust an ongoing recording using the volume and X-BASS controls. The first 7 seconds and the last 7 seconds of the tape cannot be recorded on.
- In order to prevent a tape from being recorded over you can break one or both of the tape's recording tabs on top of the cassette. The side on which the recording tab is removed cannot be recorded onto. Taping over the recording tab holes restores the cassette's recording capabilities.

Recording from radio to cassette

1. Set the function selector (10) to the **TUNER** position.
2. Select **AM** or **FM** using the radio band selector [24].
3. Press **■▲** (STOP/EJECT) to open cassette deck 1, insert the cassette you wish to record onto and close the door.
4. Press both **●** (RECORD) and **▶** [PLAY] simultaneously to begin recording.
5. Press **||** (PAUSE) if you wish to stop the recording temporarily. Press **||** again to resume recording.
6. Press **■▲** to finish recording.

Recording from cassette to cassette

N.B. You can choose the recording speed using the [DUBBING] button [6].

1. Set the function selector (10) to the **TAPE** position.
2. Press **■▲** (STOP/EJECT) to open cassette deck 1, insert the cassette you wish to record onto and close the door.
3. Press **■▲** (STOP/EJECT) to open cassette deck 2, insert the cassette you wish to copy and close the door.
4. Press **▶** (PLAY) on cassette deck 2 and then press both **●** (RECORD) and **▶** (PLAY) simultaneously to begin the recording.
5. Press **||** (PAUSE) if you wish to stop the recording temporarily. Press **||** again to resume recording.
6. Press **■▲** to finish recording.

Recording from CD/USB/memory card onto a cassette

1. Set the function selector (10) to the **CD/USB/SD** position.
2. Press **■▲** (STOP/EJECT) to open cassette deck 1, insert the cassette you wish to record onto and close the door.
3. Start to play the audio [SOURCE] (CD/USB memory stick or memory card).
4. Press both **●** (RECORD) and **▶** (PLAY) simultaneously to begin recording.
5. Press **||** (PAUSE) if you wish to stop the recording temporarily. Press **||** again to resume recording.
6. Press **■▲** to finish recording.

Recording from record player to cassette

1. Set the function selector (10) to the **PHONO** position.
2. Press **■▲** (STOP/EJECT) to open cassette deck 1, insert the cassette you wish to record onto and close the door.
3. Start playing the record.
4. Press both **●** (RECORD) and **▶** (PLAY) simultaneously to begin recording.
5. Press **||** (PAUSE) if you wish to stop the recording temporarily. Press **||** again to resume recording.
6. Press **■▲** to finish recording.

Recording to MP3 on a USB memory stick/memory card

Recording from CD to MP3

Preparations

- Insert a USB memory stick in the **USB port** or a memory card in the memory card slot. **N.B.** If both a USB memory stick and a memory card are connected to the stereo system at the same time, the USB memory stick will automatically be chosen as the storage medium.
- Set the function switch (10) to the **CD/USB/SD** position and insert a CD to record from.

Recording a single track

1. Start playback of the CD track you want to record.
2. Press [REC] (13) to start recording.
3. Recording automatically stops when the track finishes.

Recording an entire CD

1. Press [REC] (13) to start recording.
2. Start playing the CD you want to record from.
3. The recording stops when the entire CD has been played. The device automatically organises the tracks onto the USB memory stick/memory card.

Recording programmed tracks

1. Follow the instructions for programmed playback above.
2. Press ►II (22) to start playback.
3. When playback has begun, press and hold in [REC] (13) for 2 seconds. Recording will now begin.
4. Recording automatically stops when the programme finishes.

Recording from the record player to MP3

Preparations

- Insert a USB memory stick in the **USB port** or a memory card in the memory card slot.
- Set the function switch (15) to the **PHONO** position and put on a record to record from.

Recording a single track or an entire record

1. Start playback of the track or tracks on the record which are to be recorded onto the USB memory stick/memory card.
2. Press REC (13) to start recording. All tracks will be saved as one MP3 file until the recording is stopped manually.

3. To divide the recording into several files, do the following: Press [TS] (on the remote control) once to insert a pause and create a new file where the next track should begin recording. Use the same procedure for all tracks you wish to have as a separately recorded file. Every time a new file is created, the “PHONO” symbol will flash on the display. **N.B.** This must be done during the recording process.
4. When you have recorded the desired tracks, press and hold [REC] (13) to stop recording.

Recording from cassette to MP3

Preparations

- Insert a USB memory stick into the USB port or a memory card in the memory card slot.
- Set the function selector (15) to the TAPE position and insert the cassette you wish to record from.

Recording one song or an entire cassette

1. Start playback of the track or tracks on the cassette which are to be recorded onto the USB memory stick/memory card.
2. Press [REC] (13) to start recording. All tracks will be saved as one MP3 file until the recording is stopped manually.
3. To divide the recording into several files, do the following: Press [TS] (on the remote control) once to insert a pause and create a new file where the next track should begin recording. Use the same procedure for all tracks you wish to have as a separately recorded file. Every time a new file is created, the “PHONO” symbol will flash on the display. **N.B.** This must be done during the recording process.
4. When you have recorded the desired tracks, press and hold [REC] (13) to stop recording.

Copying from a USB memory stick to a memory card or vice versa

N.B. It is only possible to copy an entire MP3 file / track. It is not possible to record part of a track/file.

Preparations


- Insert a USB memory stick into the USB port or a memory card in the memory card slot.
- Set the function selector (10) to the **CD/USB/SD** position.

The example below describes recording from memory card to USB memory stick.

a) Recording one track

1. Start playback of the memory card track that you wish to record onto the USB memory stick.
2. Press [REC] (13) to start recording.
3. When the track has been completely recorded, recording stops automatically.

b) Recording all tracks

1. Set the [SOURCE] button to SD and insert the memory card that you wish to copy.
2. When all information on the card has been read, press [REC] (13) to start recording. The  and **(REC)** symbols will appear on the display during the copying process.
3. When the memory card has been completely recorded, recording stops automatically.

Setting the recording quality (via the remote control)

The recording quality for MP3s can be set between 32 and 256 Kbps. The highest quality also produces a larger file.

1. Set the function selector (10) to the **PHONO** position.
2. Press the [INFO] button on the remote control. The display shows the current recording quality.
3. Use **I◀◀** and **▶▶I** to select the desired recording quality. Confirm by pressing [INFO].

Deleting files

Deleting a single file

1. Set the function selector (10) to the **CD/USB/SD** position and select **USB** or **SD** using the [SOURCE] button.
2. Hold in the [INFO] button on the remote control for 3 seconds. The display shows "DEL ---001".
3. Use the **I◀◀** and **▶▶I** buttons to browse the files.
4. Press [REC] to select the file you wish to delete. The display will show "YES NO".
5. Press **I◀◀** or **▶▶I** to choose "YES" or "NO" and then confirm the deletion using [REC].

Deleting all files

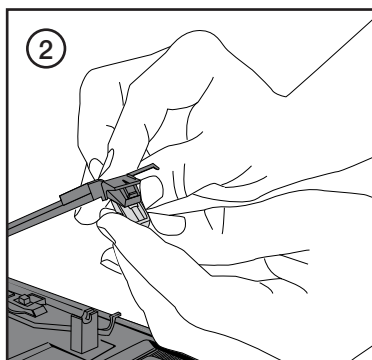
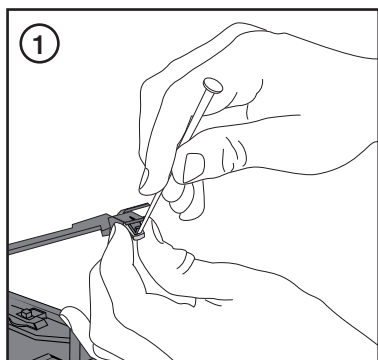
1. Set the function selector (10) to the **CD/USB/SD** position and select **USB** or **SD** using the [SOURCE] button.
2. Hold in the [INFO] button on the remote control for 3 seconds. The display shows "DEL ---001".
3. Hold in [INFO] on the remote control again. The display will show "FORMAT? Y/N".
4. Press **I◀◀** or **▶▶I** to choose "YES" or "NO" and then confirm the deletion using [REC].

Care and maintenance

To dust the stereo system, first disconnect it from the mains by pulling out the plug and then wipe it using a soft duster and a mild detergent. Never use abrasive cleaning agents or solvents.

Changing the pickup needle

1. Hold the pickup needle with one hand and wedge a small screwdriver in the front edge of the pickup between the pickup and the needle. Carefully prize the needle out using the screwdriver as shown in the figure below.
2. Insert a new needle by first pushing it against the rear edge. Then carefully push in the front edge.



Disposal

Follow local ordinances when disposing of this product. If you are unsure of how to dispose of this product, please contact your municipality.

Specifications

Power supply	230 V AC, 50 Hz
Remote control batteries	2 x AAA/R03
Turntable speed	33/45 RPM
Size, main unit	305 x 415 x 375 mm
Size, speakers	200 x 360 x 195 mm

Musikanläggning med skivspelare

Art. nr 38-4172 Modell HF-618AE

Läs igenom hela bruksanvisningen före användning och spara den sedan för framtida bruk. Vi reserverar oss för ev. text- och bildfel samt ändringar av tekniska data. Vid tekniska problem eller andra frågor, kontakta vår kundtjänst (se adressuppgifter på baksidan).

Säkerhet

- Produkten får endast repareras av kvalificerad servicepersonal.
- Produkten får inte demonteras eller ändras.
- Placera inte produkten så att den kan falla ner i vatten eller annan vätska. Ställ inte heller några föremål som innehåller vätska på produkten, t.ex. en blomvas eller dryck.
- Se till att vägguttaget som används sitter tillgängligt eftersom stickproppen på apparatens nätsladd används som frånkopplingsanordning från nätet.
- Täck inte över anläggningen. Tillräcklig ventilation, med ett minsta avstånd på ca 15 cm mellan ventilationshålen och omgivande ytor, är nödvändig för att förhindra att anläggningen blir för varm.
- Placera inte apparaten i en fuktig, dammig miljö eller där det förekommer starka vibrationer.
- Standbyomkopplaren på apparatens framsida skiljer inte apparaten från elnätet. För att fullständigt skilja apparaten från elnätet måste apparatens stickpropp tas ur vägguttaget.
- Långvarig exponering av hög ljudvolym från hörlurar kan orsaka skador på din hörsel.

Lägg märke till dessa säkerhetssymboler



Varning! Öppna inte höljet! Farlig spänning finns oskyddat på komponenter inuti produktens hölje, kontakt med dessa kan leda till brand eller ge elektriska stötar.

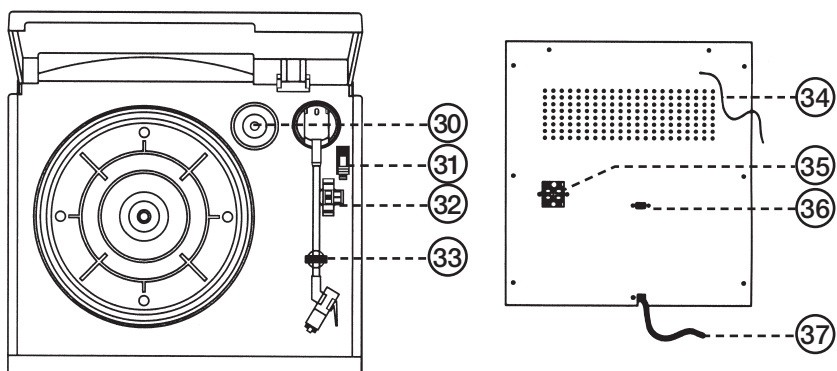
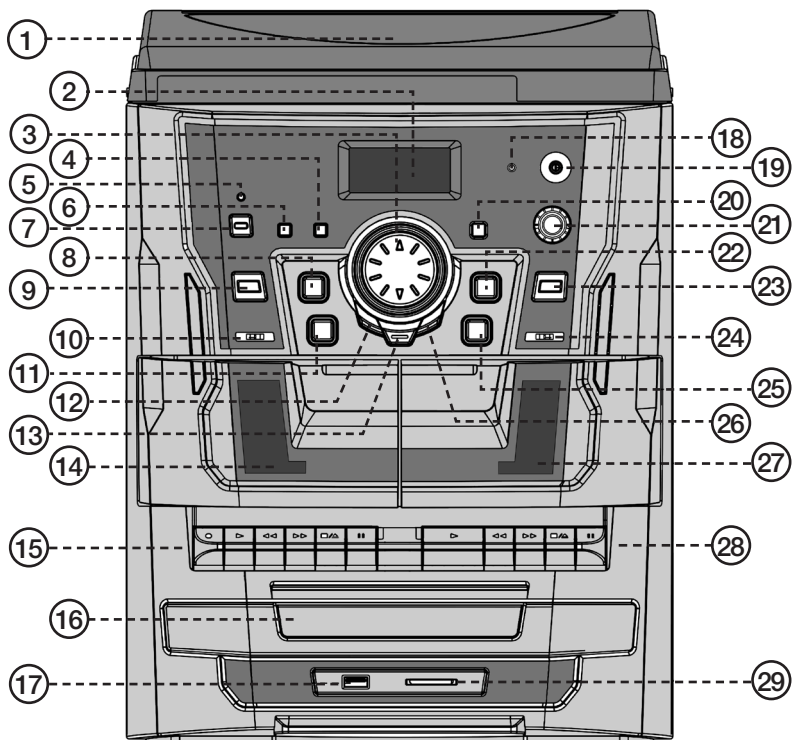


KLASS 1 LASERAPPARAT

Varning! Öppna inte höljet! Osynlig laserstrålning som kan orsaka ögonskador. Rikta inte blicken in mot strålen och titta inte direkt på den genom optiska instrument.

Produktbeskrivning

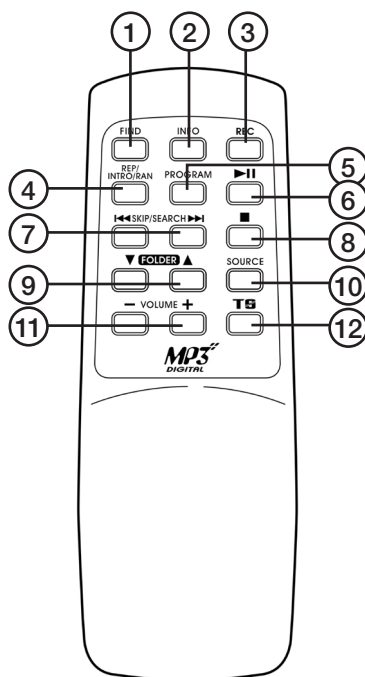
Huvudenhet



1. **Lock**
2. **Display**
3. **Volymknapp upp/ned**
4. **X-BASS** – Extra kraftig basåtergivning
5. **Indikatorlampa för standby**
6. **DUBBING** – Hastighetsväljare för inspelning på kassetbandspelaren
7. **ON/STANDBY** – Standbyomkopplare
8. **■** – Stoppar uppspelningen för cd/usb/sd
9. **[SOURCE]** – Väljer musikkälla: cd/usb/sd
10. **CD/USB/SD, TAPE, TUNER, PHONO**
– Funktionsväljare: cd/usb/sd, kassetband, radio och LP-skiva
11. **I ◀ ◀** – Tryck för att gå till föregående spår/håll in för snabbspolning bakåt
12. **REP/INTRO/RAN** – Repetition/intro/slumpmässig uppspelning
13. **● REC** – Insplningsknapp för cd/usb/sd
14. **Kassetlucka**
15. **Kontroller för kassettdäck 1**
 - a. **●** – Startar inspelning
 - b. **▶** – Startar avspelingen
 - c. **◀◀ / ▶▶** – Snabbspolning bakåt/framåt
 - d. **■▲** – Stopp/Öppna kassetluckan
 - e. **||** – Pausar uppspelningen
16. **Cd-lucka**
17. **USB** - Anslutning för usb-minne
18. **Indikatorlampa för FM-stereo**
19. **Hörlursuttag (3,5 mm stereo)**
20. **IR-sensor för fjärrkontroll**
21. **TUNING** – Frekvensväljare
22. **▶||** – Startar/pausar uppspelningen för cd/usb/sd
23. **▲** – Öppnar/stänger cd-facket
24. **AM/FM/FM-ST** – Bandväljare för radio
25. **▶▶I** – Tryck för att gå till nästa spår/håll in för snabbspolning framåt
26. **FOLDER UP** – Väljer mapp vid mp3-uppspelning
27. **Kassetlucka**
28. **Kontroller för kassettdäck 2**
 - a. **▶** – Startar avspelingen
 - b. **◀◀ / ▶▶** – Snabbspolning bakåt/framåt
 - c. **■▲** – Stopp/Öppna kassetluckan
 - d. **||** – Pausar uppspelningen
29. **SD/MMC** – Anslutning för minneskort
30. **Skivpuck**
31. **Lyftspak för tonarm**
32. **Varvtalsomkopplare 33/45 v/min**
33. **Pickup-hållare**
34. **FM-antenn**
35. **Anslutning för högtalare**
(höger/vänster)
36. **Omkopplare för "Auto stop"**
37. **Uttag för nätsladd**

Fjärrkontroll

1. **FIND** – Sökfunktion för låttitlar och mappar.
2. **INFO** – Information om låttitel.
3. **[REC]** – Inspelningsknapp för cd/usb/sd.
4. **REP/INTRO/RAN** - Repetition/intro/slumpmässig uppspelning.
5. **PROGRAM** – Programmeringsknapp för cd/usb/sd.
6. **▶||** – Startar/pausar uppspelningen för cd/usb/sd.
7. **◀◀** – Tryck för att gå till föregående spår/håll in för snabbspolning bakåt.
▶▶ – Tryck för att gå till nästa spår/håll in för snabbspolning framåt.
8. **■** – Stoppar uppspelningen för cd/usb/sd.
9. **FOLDER ▲/▼** – Väljer mapp för usb/sd/cd (med mp3- eller wma-filer).
10. **[SOURCE]** – Väljer musikkälla: cd/usb/sd.
11. **VOLUME +/-** – Höjer/sänker volymen.
12. **TS (Track Separation)** – Delar upp en inspelning i flera filer.



Anslutningar

Anslutning av högtalare

- Anslut höger och vänster högtalare till höger (R) och vänster (L) högtalarutgång (35) på apparatens baksida.

Anslutning till elnätet

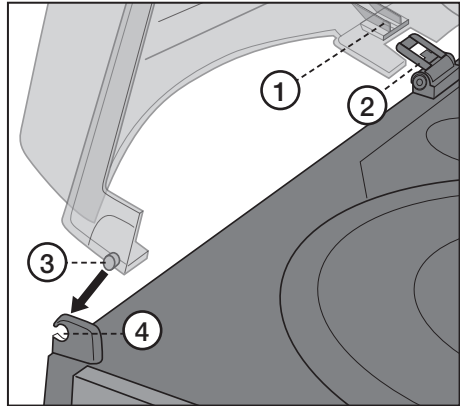
1. Anslut nätsladden till ett vägguttag. Kontrollera att spänningen (V), som finns angiven på märkskylten på baksidan av anläggningen är densamma som i ditt lokala elnät (230 V AC, 50 Hz). Rådfråga återförsäljaren eller ett serviceställe om så inte är fallet.
2. För att helt stänga av strömmen, dra ur stickproppen ur vägguttaget. Dra även ur stickproppen ur vägguttaget vid kraftiga åskväder för att skydda anläggningen.

Montering & installation

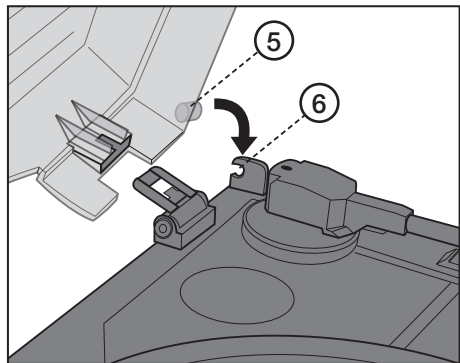
Montera locket

Obs! Nummerhänvisningarna (1 – 6) gäller endast bilderna i detta avsnitt.

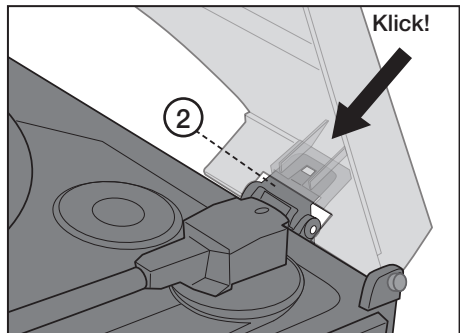
1. Se till att gångjärnet (2) är vikt helt bakåt.
2. Passa in spåret i locket (1) på gångjärnet (2), men inte hela vägen ner.
3. Sätt först lockets vänstra styrtapp (3) i skivspelarens vänstra fäste (4).



4. Tryck sedan fast lockets högra styrtapp (5) försiktigt i skivspelarens högra fäste (6).



5. Tryck samtidigt ner locket på gångjärnet (2) tills gångjärnet låst fast och ett klick hörs.



Obs!

Tryck försiktigt fast locket på skivspelarens sidofästen. Felaktig montering kan skada skivspelarens sidofästen.

Användning

Lyssna på radio

FM

1. Sätt funktionsomkopplaren (10) i läge **TUNER**.
2. Sätt bandväljaren för radio i läge **FM** (mono) eller **FM-ST** (stereo).
3. Ställ in önskad frekvens med frekvensväljaren (21).
4. Placera trådanntennen (34) på lämpligt sätt tills bästa mottagning erhålls.
5. Justera volymen till önskad nivå med volymknappen (3).

AM

1. Sätt funktionsomkopplaren (10) i läge **TUNER**.
2. Ställ in önskad frekvens med frekvensväljaren (21).
3. Justera volymen till önskad nivå med volymknappen (3).

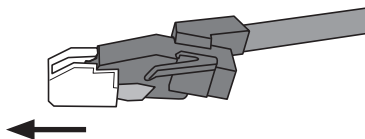
Tips för bättre mottagning

AM: Apparaten har en inbyggd antenn för AM-mottagning. Mottagningen kan påverkas genom att vrida eller flytta på apparaten.

FM: Placera trådanntennen (34) på lämpligt sätt tills bästa möjliga mottagningen erhålls. Antennen bör vara fullt utrullat och utsträckt för bäst mottagning.

Lyssna på LP-skiva

1. Avlägsna nålskyddet från tonarmen genom att dra nålskyddet rakt ut enligt bilden.
2. Sätt funktionsomkopplaren (10) i läge **PHONO** för att slå på skivspelaren.
3. Placera en skiva på skivtallriken. Vissa 45-varvsskivor har stort centrumhål och behöver då skivpucken (30) för att kunna spelas.
4. Välj rätt hastighet för skivan med varvtalsomkopplaren (32).
5. Lyft och för tonarmen över skivan. Nu ska skivtallriken börja snurra.
6. Sänk försiktigt ner tonarmen vid början på önskat spår.
7. Avspelingen av skivan har nu börjat. Justera volymen till önskad nivå med volymknappen (3).
8. Lyft tonarmen tillbaka till pickuphållaren när avspelingen är avslutad. Tallriken slutar att snurra.



Notera:

Vissa skivor har slutindikeringen utanför skivspelarens "auto-stop" –område. Detta medför att vissa skivor slutar spela redan innan skivans sista spår. Detta kan avhjälpas genom att sätta omkopplaren "Auto stop" (36) i läge **OFF**.

Obs! Skivan kommer att fortsätta snurra även när sista spåret har spelats. För att stoppa skivan, sätt omkopplaren "Auto stop" (36) i läge **ON** eller ställ funktionsomkopplaren (10) i annat läge än **PHONO**.

Lyssna på cd

1. Sätt funktionsomkopplaren (10) i läge **CD/USB/SD**.
2. Öppna cd-facket genom att trycka på [OPEN/CLOSE] 23.
3. Placera en cd-skiva (ljudskiva eller CD-R/CD-RW innehållande MP3-filer) med etiketten vänd uppåt i cd-facket.
4. Stäng cd-facket genom att trycka på [OPEN/CLOSE] (23)
5. Efter en kort stund visar displayen det totala antalet spår på skivan. Om skivan innehåller mp3- eller wma-filer kan du bläddra bland mapparna med [FOLDER UP] [26]. Använd **◀◀** och **▶▶** för att välja önskat spår i den valda mappen.
6. Tryck på **▶▶** (22) för att starta uppspelningen. Det första spåret spelas upp.
7. För att tillfälligt stoppa uppspelningen, tryck igen på **▶▶** (22). Aktuellt spårnummer blinkar i displayen. Tryck åter på **▶▶** (22) för att fortsätta uppspelningen.
8. För att stoppa avspelningen, tryck och håll in **■** (8).

Välja ett annat spår

Under uppspelningen eller i pausläget kan du använda **◀◀** eller **▶▶** (11, 25) för att välja ett annat spår.

1. Tryck en gång kort på **▶▶** för att komma till nästa spår, eller tryck upprepade gånger tills det önskade spårnumret visar i displayen.
2. Tryck en gång kort på **◀◀** för att återgå till början på det spår som just spelas. Tryck kort mer än en gång för att komma till tidigare spår.

Finna ett avsnitt i ett spår

1. Tryck och håll in **◀◀** eller **▶▶** för att söka ett avsnitt i ett spår. Spåret spelas nu med hög hastighet och låg volym.
2. Släpp knappen när du hör det avsnitt du söker. Den normala avspelningen fortsätter.

Anm.

- Ljudkvaliteten på MP3-filer kan variera beroende på skivans eller inspelningens kvalitet.
- Tiden för apparaten att läsa in en MP3-skiva tar vanligtvis längre tid än en vanlig skiva.

Visa låtnamn (via fjärrkontrollen)

- Under uppspelning av MP3-filer, tryck en gång på knappen [INFO] på fjärrkontrollen för att visa eller dölja ID3-informationen om det aktuella spåret.
- Finns ingen information tillgänglig för det aktuella spåret visas istället texten "NOFILE" eller "UNKNOWN" i displayen.

Sök låt efter titel (via fjärrkontrollen)

Du kan söka en låt efter dess titel/namn.

1. Vid stoppad uppspelning, tryck en gång på knappen [FIND] på fjärrkontrollen.
2. Använd **I◀◀** och **▶▶I** för att bläddra bland låtarna i alfabetisk ordning.
3. Tryck på **▶II** (22) för att starta uppspelningen av den valda låten.

Sök mapp (via fjärrkontrollen)

Du kan söka en mapp efter dess titel/namn.

1. Vid stoppad uppspelning, tryck två gånger på knappen [FIND] på fjärrkontrollen.
2. Använd **▼** och **▲** för att bläddra bland mapparna i alfabetisk ordning.
3. Tryck på **▶II** (22) för att starta uppspelningen av låtarna i den valda mappen.

Repeterad avspelning

- Tryck en eller upprepade gånger på [REP/INTRO/RAN] (12) för att repetera ett spår, album/mapp (endast mp3) eller en hel skiva.
- En symbol för repeterad uppspelning  visar vilken typ av uppspelning som är aktiverad.

Sluppmässig avspelning

- Tryck en eller upprepade gånger på [REP/INTRO/RAN] för att aktivera sluppmässig avspelning. "RAN" blinkar i displayen när funktionen är aktiverad.
- Tryck åter på [REP/INTRO/RAN] eller på **■ STOP** för att avaktivera sluppmässig avspelning.

Intro (spela upp början på spår)

- För att spara tid när du söker en viss låt spelas de 10 första sekunderna upp i en följd.
- Tryck en eller upprepade gånger på [REP/INTRO/RAN] för att starta uppspelningen med introfunktionen aktiverad. "INTRO" visas i displayen när funktionen är aktiverad.

Anm. Displayen kan endast visa tecken ur det engelska alfabetet.

Programmerad uppspelning (via fjärrkontrollen)

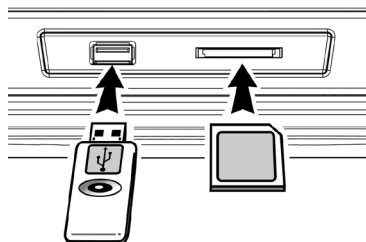
Upp till 32 spår kan programmeras i valfri ordning.

1. Stoppa uppspelningen genom att trycka på ■ (STOP).
2. Tryck en gång på PROGRAM på fjärrkontrollen. "PROG", programnummer samt spårnummer visas i displayen.
3. Använd ◀◀◀ och ▶▶▶ för att välja det spår som ska programmeras.
4. Bekräfta genom att trycka en gång på [PROGRAM]. Spårnumret blinkar nu i displayen.
5. Repetera steg 3 och 4 för att programmera fler spår.
6. Tryck på ▶▶ (22) för att starta avspelningen i den ordning du nyss programmerat.
7. Tryck på ■ STOP för att stoppa avspelningen och rensa programminnet.

Spela upp mp3- eller wma-filer från ett minneskort eller usb-minne

Apparaten kan spela upp MP3- och WMA-filer från ett USB-minne eller ett minneskort av typen SD eller MMC.

1. Sätt in ett USB-minne/minneskort i enligt bilden. Se till att vända USB-minnet/minneskortet rätt för att inte skada kontakten. Skjut alltid USB-minnet/minneskortet rakt in utan att böja det.
2. Sätt funktionsomkopplaren (10) i läge CD/USB/SD och tryck sedan på [SOURCE] (9) för att välja källa, USB (USB-minne) eller CARD (minneskort). Displayen indikerar vald källa, typ av ljudformat samt totala antalet spår.
3. Efter en kort stund visar displayen det totala antalet låtar på skivan.
4. Tryck en eller flera gånger på [FOLDER] (26) för att välja den mapp du vill spela upp. Mappnamnet visas i displayen.
5. Använd ◀◀◀ och ▶▶▶ för att välja önskat spår i den valda mappen.
6. Tryck på ▶▶ (22) för att starta uppspelningen.
7. För att tillfälligt stoppa uppspelningen, tryck igen på ▶▶ (22). Aktuellt spårnummer blinkar i displayen. Tryck åter på ▶▶ (22) för att fortsätta uppspelningen.
8. För att stoppa avspelningen, tryck och håll in ■ (8).



Spela kassettband

1. Sätt funktionsomkopplaren (10) i läge CD/USB/SD.
2. Tryck på **■▲ (STOP/EJECT)** för att öppna kassettluckan.
3. Lägg i ett inspelat band och stäng kassettluckan.
4. Tryck på **▶ PLAY** för att starta avspelingen.
5. Tryck på **|| PAUSE** om du vill avbryta spelningen tillfälligt. Tryck igen på **||** för att fortsätta.
6. Genom att trycka på **◀◀** eller **▶▶** kan du snabbspola bandet i bakåt eller framåt.
7. Tryck på **■▲** (STOP/EJECT) för att stanna bandet. Knapparna frigörs automatiskt när bandet är slut, om inte **||** (PAUSE) är intryckt.

Inspelning till kassettband

Allmän information om inspelning

- Inspelning är tillåten så länge den inte bryter mot upphovsrätten eller andra rättigheter som innehas av tredje part.
- Den bästa nivån för inspelning ställs in automatiskt. Det går inte att påverka en pågående inspelning med volym- och X-BASS -kontrollerna. Under 7 sekunder alldeles i början och slutet av bandet, när ledarbandet passerar inspelningshuvudena sker ingen inspelning.
- För att skydda ett band från att raderas av misstag kan du bryta av en eller båda plastflikarna på undersidan av bandet. Det går nu inte att spela in på den sida där fliken är avlägsnad. Om hålen som täcktes av flikarna tejpas över går det åter att spela in på bandet.

Inspelning från radio till kassett

1. Sätt funktionsomkopplaren (10) i läge **TUNER**.
2. Välj AM eller FM med bandväljaren för radio (24).
3. Tryck på **■▲** (STOP/EJECT) för att öppna kassettlucka 1, lägg i den kassett du vill spela in på och stäng kassettluckan
4. Tryck in både **● (RECORD)** och **▶ (PLAY)** samtidigt för att starta inspelningen.
5. Tryck på **|| (PAUSE)** om du vill göra ett tillfälligt avbrott i inspelningen. Tryck igen på **||** för att fortsätta inspelningen.
6. Tryck på **■▲** för att avsluta inspelningen.

Inspelning från kassett till kassett

OBS! Du kan välja inspelningshastighet genom att trycka på [DUBBING] [6].

1. Sätt funktionsomkopplaren (10) i läge **TAPE**.
2. Tryck på **■▲** (STOP/EJECT) för att öppna kassettlucka 1, lägg i den kassett du vill spela in på och stäng kassettluckan.
3. Tryck på **■▲** (STOP/EJECT) för att öppna kassettlucka 2, lägg i den kassett du vill kopiera och stäng kassettluckan.
4. Tryck på **▶** (PLAY) på kassettdäck 2 och tryck sedan in både **●** (RECORD) och **▶** PLAY samtidigt för att starta inspelningen.
5. Tryck på **||** (PAUSE) om du vill göra ett tillfälligt avbrott i inspelningen. Tryck igen på **||** för att fortsätta inspelningen.
6. Tryck på **■▲** för att avsluta inspelningen.

Inspelning från cd/usb/minneskort till kassett

1. Sätt funktionsomkopplaren (10) i läge **CD/USB/SD**.
2. Tryck på **■▲** (STOP/EJECT) för att öppna kassettlucka 1, lägg i den kassett du vill spela in på och stäng kassettluckan.
3. Starta uppspelning från vald källa (cd, usb-minne eller minneskort).
4. Tryck in både **●** (RECORD) och **▶** PLAY samtidigt för att starta inspelningen.
5. Tryck på **||** (PAUSE) om du vill göra ett tillfälligt avbrott i inspelningen. Tryck igen på **||** för att fortsätta inspelningen.
6. Tryck på **■▲** för att avsluta inspelningen.

Inspelning från LP-skiva till kassett

1. Sätt funktionsomkopplaren (10) i läge **PHONO**.
2. Tryck på **■▲** (STOP/EJECT) för att öppna kassettlucka 1, lägg i den kassett du vill spela in på och stäng kassettluckan.
3. Starta uppspelning från skivspelaren.
4. Tryck in både **●** (RECORD) och **▶** PLAY samtidigt för att starta inspelningen.
5. Tryck på **||** (PAUSE) om du vill göra ett tillfälligt avbrott i inspelningen. Tryck igen på **||** för att fortsätta inspelningen.
6. Tryck på **■▲** för att avsluta inspelningen.

Spela in till MP3 på USB-minne eller minneskort

Spela in från cd till MP3

Förberedelser

- Sätt i ett USB-minne i USB-anslutningen eller ett minneskort i minneskortanslutningen. **OBS!** Om det sitter både ett USB-minne och ett minneskort i musikanläggningen väljs automatiskt USB-minnet som lagringsplats.
- Sätt funktionsomkopplaren (10) i läge **CD/USB/SD** och lägg i den cd-skiva du vill spela in från.

Spela in en låt

1. Starta uppspelningen av den låt på cd-skivan som du vill spela in.
2. Tryck därefter på [REC] (13) för att starta inspelningen.
3. Inspelningen stannar automatiskt när låten är slut.

Spela in en hel skiva

1. Tryck på [REC] (13) för att starta inspelningen.
2. Starta uppspelningen av cd-skivan som du vill spela in.
3. Inspelningen stannar när hela skivan spelats. Apparaten delar automatiskt upp spåren på USB-minnet/minneskortet.

Spela in programmerade låtar

1. Följ instruktionerna för programmerad uppspelning ovan.
2. Tryck på ►|| (22) för att starta uppspelningen.
3. Under uppspelning, tryck och håll in [REC] (13) i 2 sekunder. Inspelningen startar.
4. Inspelningen stannar automatiskt när programmet är slut.

Spela in från skivspelaren till MP3

Förberedelser

- Sätt i ett USB-minne i USB-anslutningen eller ett minneskort i minneskortanslutningen.
- Sätt funktionsomkopplaren (15) i läge **PHONO** och lägg på den skiva du vill spela in från.

Spela in en låt eller en hel skiva

1. Starta uppspelningen av det eller de spår på LP-skivan som du vill spela in på USB-minnet/minneskortet.
2. Tryck därefter på [REC] (13) för att starta inspelningen. Samtliga spår sparas som en hel MP3-fil tills inspelningen avbryts manuellt.

3. För att dela upp en inspelning i flera filer, gör enligt följande: Tryck en gång på [TS] (på fjärrkontrollen) för att infoga en paus och skapa en ny fil där den nästa spår kommer att spelas in, gör lika på alla ställen där du vill dela upp inspelningen. Varje gång som en ny fil skapas blinkar "PHONO" en gång på displayen. **Obs!** Detta måste göras under inspelningen.
4. När du spelat in önskade spår, tryck och håll in [REC] (13) för att stoppa inspelningen.

Spela in från kassetband till MP3

Förberedelser

- Sätt i ett USB-minne i USB-anslutningen eller ett minneskort i minneskortanslutningen.
- Sätt funktionsomkopplaren (15) i läge **TAPE** och sätt i den kassett du vill spela in från.

Spela in en spår eller en hel kassett

1. Starta uppspelningen av den eller de låtar på kassetten som du vill spela in på USB-minnet/minneskortet.
2. Tryck därefter på [REC] (13) för att starta inspelningen. Samtliga spår sparas som en hel MP3-fil tills inspelningen avbryts manuellt.
3. För att dela upp en inspelning i flera filer, gör enligt följande: Tryck en gång på [TS] (på fjärrkontrollen) för att infoga en paus och skapa en ny fil där den nästa spår kommer att spelas in, gör lika på alla ställen där du vill dela upp inspelningen. Varje gång som en ny fil skapas blinkar "PHONO" en gång på displayen. **Obs!** Detta måste göras under inspelningen.
4. När du spelat in önskade spår, tryck och håll in [REC] (13) för att stoppa inspelningen.

Kopiering från USB-minne till minneskort och vice versa

Obs! Kopiering av mp3-filer fungerar endast om man kopierar hela filen (låten). Det går alltså inte att spela in delar av en låt.

Förberedelser


- Sätt i ett USB-minne i USB-anslutningen och ett minneskort i minneskortanslutningen.
- Sätt funktionsomkopplaren (10) i läge **CD/USB/SD**.

Exemplen nedan beskriver inspelning från minneskort till USB-minne:

a) Spela in en låt

1. Starta normal uppspelning av den låt på minneskortet som du vill spela in på USB-minnet.
2. Tryck därefter på [REC] (13) för att starta inspelningen.
3. När låten är färdigkopierad avbryts uppspelningen automatiskt.

b) Spela in alla låtar

1. Välj SD-läge med **[SOURCE]**-knappen och sätt in det minneskort du vill kopiera.
2. När all information på kortet är inläst, tryck på **[REC]** (13) för att starta inspelningen. Displayen visar  och **[REC]** när kopieringen pågår.
3. När minneskortet är färdigkopierat avbryts uppspelningen automatiskt.

Ställ inspelningskvalitet (via fjärrkontrollen)

Kvaliteten på inspelningen till MP3 kan ställas in mellan 32 och 256 Kbps. Högre inspelningskvalitet innebär även större filstorlek.

1. Sätt funktionsomkopplaren (10) i läge **PHONO**.
2. Tryck knappen på **[INFO]** på fjärrkontrollen. Displayen visar inställd inspelningskvalitet.
3. Använd **◀◀** och **▶▶** för att välja inspelningskvalitet. Bekräfta med ett tryck på **[INFO]**.

Radera filer

Radera enstaka fil

1. Sätt funktionsomkopplaren (10) i läge CD/USB/SD och välj **USB** eller **SD** med **[SOURCE]**-knappen.
2. Håll in **INFO** på fjärrkontrollen i 3 sekunder. Displayen visar "DEL ---001".
3. Tryck på **◀◀** och **▶▶** för att bläddra bland filerna.
4. Tryck på **[REC]** för att välja den fil du vill radera. Displayen visar "YES NO".
5. Tryck på **◀◀** och **▶▶** för att välja "YES" eller "NO" och bekräfta sedan raderingen med **[REC]**.

Radera alla filer

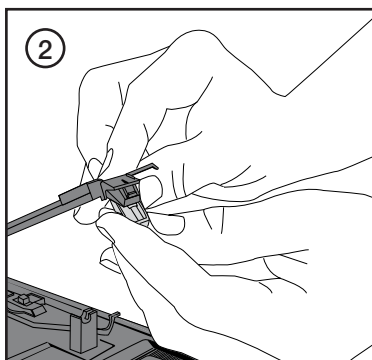
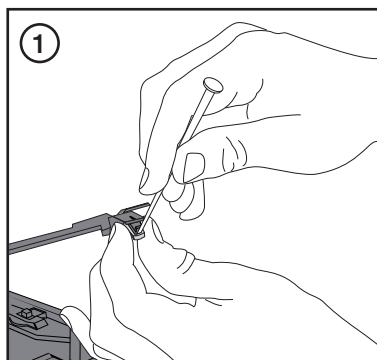
1. Sätt funktionsomkopplaren (10) i läge **CD/USB/SD** och välj **USB** eller **SD** med **[SOURCE]**-knappen.
2. Håll in **[INFO]** på fjärrkontrollen i 3 sekunder. Displayen visar "DEL ---001".
3. Håll in **[INFO]** på fjärrkontrollen igen. Displayen visar "FORMAT? Y/N".
4. Tryck på **◀◀** och **▶▶** för att välja "YES" eller "NO" och bekräfta sedan raderingen med **[REC]**.

Skötsel och underhåll

Vid behov, dra stickkontakten ur vägguttaget och torka sedan av apparaten med en mjuk trasa och eventuellt ett mildt rengöringsmedel. Använd aldrig slipande rengöringsmedel eller lösningsmedel.

Byte av nål

1. Håll i pickupen med ena handen och tryck ner en liten spårmejsel i framkanten mellan pickupen och nålen. Bänd mejseln försiktigt bakåt enligt bilden så att nålen lossnar.
2. Sätt i en ny nål genom att trycka fast nålen i bakkanten först. Tryck därefter fast den i framkanten.



Avfallshantering

När du ska göra dig av med produkten ska detta ske enligt lokala föreskrifter. Är du osäker på hur du ska gå tillväga, kontakta din kommun.

Specifikationer

Strömförsörjning	230 V AC, 50 Hz
Batterier, fjärrkontroll	2 x AAA/R03
Varv/min, skivspelare	33/45 varv/min
Storlek, huvudenhet	305 x 415 x 375 mm
Storlek, högtalare	200 x 360 x 195 mm

Musikkanlegg med platespiller

Art.nr. 38-4172

Modell HF-618AE

Les bruksanvisningen nøye før produktet tas i bruk, og ta vare på den for ev. framtidig bruk. Vi reserverer oss mot ev. tekst- og bildefeil, samt forandringer av tekniske data. Ved tekniske problemer eller andre spørsmål, ta kontakt med vårt kundesenter. (Se opplysninger om kundesenteret i denne bruksanvisningen).

Sikkerhet

- Produktet må kun repareres av kyndig servicepersonell.
- Produktet må ikke demonteres eller endres på.
- Plasser ikke produktet slik at det kan komme i kontakt med vann eller annen væske. Plasser aldri produktet i nærheten av gjenstander som kan forårsake at vann eller annen væske skylles over produktet.
- Koble anlegget til et lett tilgjengelig strømuttak. Anlegget gjøres helt strømløst ved å trekke ut stikkkontakten.
- Anlegget må ikke tildekkes. Tilstrekkelig ventilasjon, med en minsteavstand på ca. 15 cm mellom ventilasjonsrillene og omliggende flater er nødvendig, for å forhindre at anlegget blir for varm.
- Plasser ikke apparatet i et fuktig, støvete miljø eller der det forekommer sterke vibrasjoner.
- Standby-bryteren på apparatets framside kobler ikke apparatet fra strømmettet. For å gjøre apparatet helt strømløst, må stikkkontakten trekkes ut fra strømuttaket.
- Langvarig eksponering av høy lyd fra headset/hodetelefoner, kan føre til kroniske hørselsskader.

Legg merke til følgende sikkerhetssymboler



Advarsel! Dekselet må ikke åpnes. Farlig spenning ligger ubeskyttet på komponenter under produktets deksel, og kontakt med disse kan føre til brann eller gi elektrisk støt.

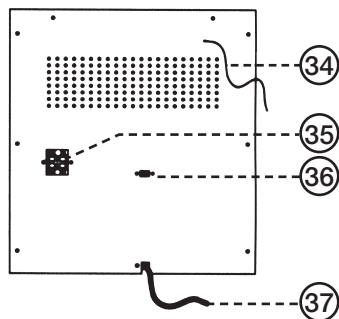
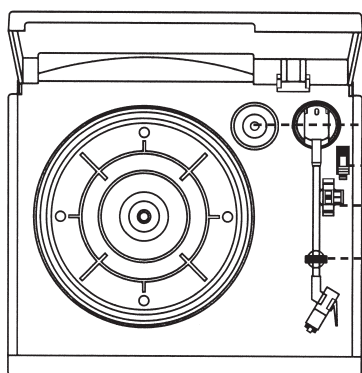
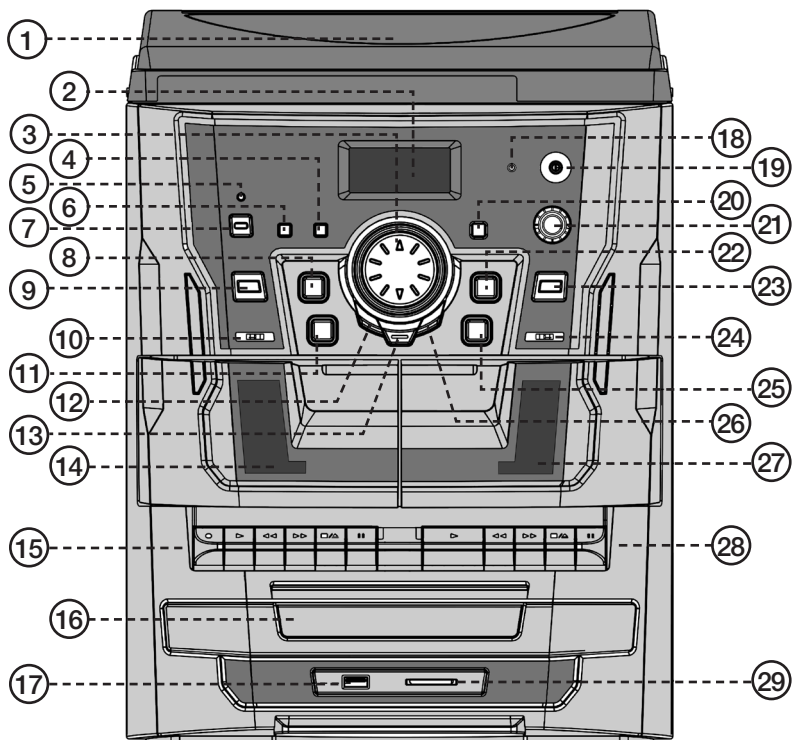


KLASSE 1 LASERAPPARAT

Advarsel! Dekselet må ikke åpnes. Usynlig laserstråler som kan føre til øyeskader. Rett ikke blikket mot strålen, og se ikke rett på den gjennom optiske instrumenter.

Produktbeskrivelse

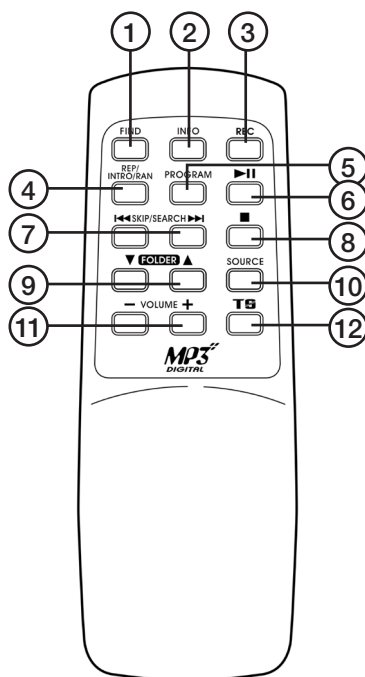
Hovedenhet



1. **Lokk**
2. **Display**
3. **Volum opp/ned**
4. **X-BASS** – Ekstra kraftig bassforsterking
5. **Indikatorlampe for standby**
6. **DUBBING** – Hastighetsvelger for innspilling på kassettbåndspilleren
7. **ON/STANDBY** – Standbybryter
8. **■** – Stopper avspilling av cd/usb/sd
9. **SOURCE** – Velger musikkilde: cd/usb/sd
10. **CD/USB/SD, TAPE, TUNER, PHONO** – Funksjonsvelger: cd/usb/sd, kassettbånd, radio eller LP-plate
11. **I◀◀** – Trykk inn for å gå til foregående spor/side for hurtigkobling bakover
12. **REP/INTRO/RAN** – Repetisjon/intro/ tilfeldig spilling av spor
13. **● REC** – Innspillingsknapp for cd/usb/sd
14. **Kassettlokk**
15. **Kontroller for kassettdekk 1**
 - a. **●** – Starter innspilling
 - b. **▶** – Starter avspillingen
 - c. **◀◀ / ▶▶** – Hurtigspoling bakover/framover
 - d. **■▲** – Stopp/Åpne kassettlokk
 - e. **||** – Pause i avspillingen
16. **Cd-luke**
17. **USB** – Tilkoblingspunkt for usb-minne
18. **Indikator for FM-stereo**
19. **Hodetelefonuttak (3,5 mm, stereo)**
20. **IR-mottaker for fjernkontroll**
21. **TUNING** – Frekvensvelger
22. **▶||** – Stopp eller pause avspilling av cd/usb/sd
23. **▲** – Åpner/stenger cd-spilleren
24. **AM/FM/FM-ST** – Valg av bånd for radio
25. **▶▶I** – Trykk inn for å gå til neste spor/side eller hurtigkobling framover
26. **FOLDER UP** – Velger mappe ved mp3-avspilling
27. **Kassettlokk**
28. **Kontroller for kassettdekk 2**
 - a. **▶** - Starter avspillingen
 - b. **◀◀ / ▶▶** – Hurtigspoling bakover/framover
 - c. **■▲** – Stopp/Åpne kassettlokk
 - d. **||** – Pause i avspillingen
29. **SD/MMC** - Tilkoblingspunkt for minnekort
30. **Singeladapter**
31. **Løftespake for arm**
32. **Omdreiningssomkobler 33/45-o/min**
33. **Pickupholder**
34. **FM-antenne**
35. **Tilkobling for høyttaler (høyre/venstre)**
36. **Omkobler for "Auto stop"**
37. **Uttak for strømledning**

Fjernkontroll

1. **FIND** – Søkefunksjon for spor og mapper
2. **INFO** – Informasjon om spor.
3. **REC** – Innspillingsknapp for cd/usb/sd
4. **REP/INTRO/RAN** – Repetisjon/intro/ tilfeldig avspilling
5. **PROGRAM** – Programmeringsknapp for cd/usb/sd
6. **▶||** – Stopp eller pause avspilling av cd/usb/sd
7. **◀◀** – Trykk inn for å gå til foregående spor/ side for hurtigkobling bakover
▶▶ – Trykk inn for å gå til neste spor/side eller hurtigkobling framover
8. **■** – Stopper avspilling av cd/usb/sd
9. **FOLDER ▲/▼** - Velger mappe for usb/sd/cd (med mp3- eller wma-filer)
10. **SOURCE** – Velger musikkilde: cd/usb/sd
11. **VOLUME +/-** – Volumkontroll
12. **TS (Track Separation)** – Deler opp en innspeling i flere filer



Tilkoblinger

Tilkobling av høyttalere

- Koble høyre og venstre høyttaler til høyre (R) og venstre (L) høyttalerutgang (35) på apparatets bakside.

Tilkobling til strømmettet

1. Koble strømledningen til et vegguttak. Kontroller at spenningen (V), som er angitt på merkeskiltet på baksiden av anlegget, er den samme som i ditt lokale strømmnett (230 V AC, 50 Hz). Spør forhandleren eller ett serviceverksted hvis dette ikke er tilfelle.
2. For å skru strømmen helt av, dra kontakten ut av vegguttaket. Dra også ut støpselet fra vegguttaket ved kraftig tordenvær, for å beskytte anlegget.

Montering og installasjon

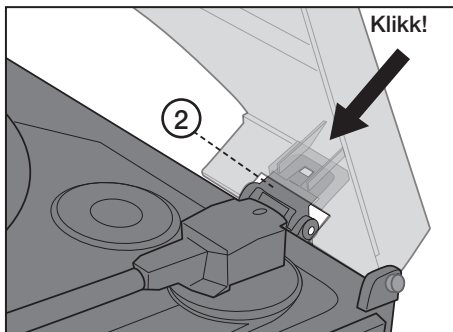
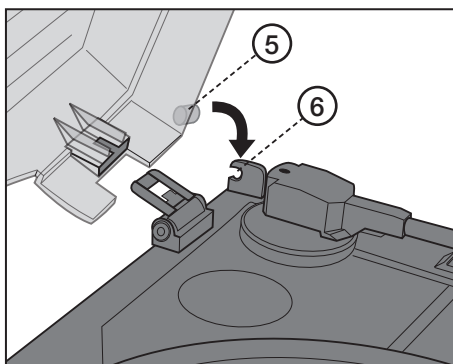
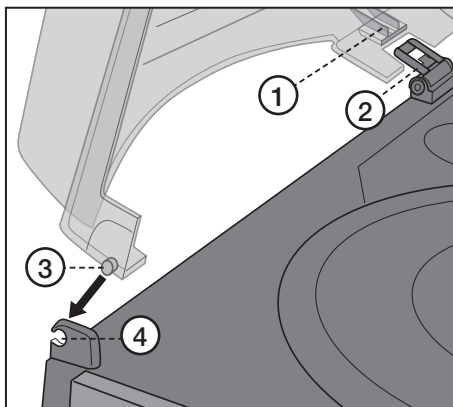
Montere dekselet

OBS! Nummerhenvisningene (1 – 6) gjelder kun bildene i dette avsnittet.

1. Påse at hengslet (2) er bøyd helt bakover.
2. Tilpass sporet på dekselet (1) til hengslet (2), men press den ikke helt sammen.
3. Sett først dekselets venstre styretapp (3) i plate-spillerens venstre feste (4).
4. Trykk deretter forsiktig fast dekselets høyre styretapp (5) på platespillerens høyre feste (6).
5. Trykk dekselet ned på hengslet til hengslet (2) festes og du hører ett lite klikk.

OBS!

Trykk dekselet forsiktig fast på platespillerens sidefester. Feil montering kan skade platespillerens sidefeste.



Bruk

Høre på radio

FM

1. Sett funksjonsvelgeren (10) på **TUNER**.
2. Sett båndvelgeren på **FM** (mono) eller **FM-ST** (stereo).
3. Still inn ønsket frekvens med frekvensvelgeren (21).
4. Plasser trådanteren (34) på passende sted, slik at best mulige forhold mottas.
5. Juster volumet til ønsket nivå med volumkontrollen (3).

AM

1. Sett funksjonsvelgeren (10) på **TUNER**.
2. Still inn ønsket frekvens med frekvensvelgeren (21).
3. Juster volumet til ønsket nivå med volumkontrollen (3).

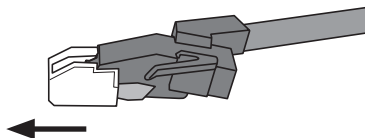
Tips for beste mulige mottak

AM: Anlegget har en innebygd antenne for AM-mottak. Mottak kan påvirkes ved å flytte på apparatet.

FM: Plasser trådanteren (34) på passende sted, slik at best mulige forhold mottas. Antennen bør være helt utrullet og utstrekkt for best mottak.

Høre på LP-plate

1. Fjern beskyttelsen på stiften ved å trekke den rett ut som vist på bildet.
2. Sett funksjonsvelgeren (10) på **PHONO** for å slå på platespilleren.
3. Plasser en plate på platetallerkenen. Noen singler har stort senterhull. De trenger singleadapteren (30) for å kunne spilles.
4. Velg riktig hastighet for platen med omdreiningssomkobleren (32).
5. Løft og før pickupen over platen. Nå skal platetallerkenen begynne å snurre rundt.
6. Senk pickupen forsiktig ned på begynnelsen av ønsket spor.
7. Avspillingen har nå begynt. Juster volumet til ønsket nivå med volumkontrollen (3).
8. Løft armen tilbake til pickupholderen når avspillingen er avsluttet. Tallerken slutter å snurre rundt.



NB!

Noen plater har sluttindikasjonen utenfor platespillerens "auto stop" – område. Dette medfører at noen plater slutter å spille allerede før platens siste spor. Dette kan hindres ved at du setter omkobleren "Auto stop" (36) i **OFF**-posisjon.

Obs! Platen vil fortsette å snurre selv når det siste sporet er ferdig. For å stoppe platen, sett omkobleren "Auto stop" (36) på ON eller still funksjonsvelgeren (10) på PHONO.

Lytte på cd-plater

1. Sett funksjonsvelgeren (10) på **CD/USB/SD**.
2. Cd-lokket åpnes ved å trykke på [OPEN/CLOSE] (23).
3. Plasser en cd-plate (lydplate eller CD-R/CD-RW som inneholder MP3-filer), med etiketten vendt oppover, i cd-luken.
4. Cd-lokket stenges ved å trykke på [OPEN/CLOSE] (23).
5. Etter en kort stund viser displayet det totale antallet spor på platen. Hvis platen inneholder mp3- eller wma-filer, kan man bla i mappene med **FOLDER UP** (26). Bruk **◀◀** og **▶▶** for å velge ønsket spor i den valgte mappen.
6. Trykk på **▶/||** (22) for å starte avspillingen. Det første sporet spilles av.
7. For å stoppe avspillingen midlertidig, trykk på **▶||** (22) igjen. Aktuelt spornummer blinker i displayet. Trykk på **▶/||** (22) for å starte avspillingen igjen.
8. For å stoppe avspillingen, trykk på **■** (8) og hold den inne.

Velg et annet spor

Under spilling eller i pauseposisjon kan man bruke **◀◀** eller **▶▶** (11, 25) for å velge et annet spor.

1. Trykk kort en gang på **▶▶** for å komme til neste spor, eller trykk gjentatte ganger til det ønskede spornummeret vises i displayet.
2. Trykk kort en gang på **◀◀** for å gå tilbake til begynnelsen av det sporet du nettopp har spilt. Trykk kort flere ganger for å komme til tidligere spor.

Finn et avsnitt i et spor

1. Trykk og hold inne **◀◀** eller **▶▶** for å søke et avsnitt i et spor. Sporet spilles nå med høy hastighet og lavt volum.
2. Slipp knappen når du hører det avsnittet du søker. Den normale avspillingen fortsetter.

Anm.

- Lydkvaliteten på mp3-filer kan variere avhengig av platens og innspillingens kvalitet.
- Vanligvis tar det litt lenger tid å lese av en mp3-plate for spilling enn det tar å lese en vanlig cd-plate.

Vise navn på låter via fjernkontrollen

- Under spilling av en mp3-fil kan du trykke en gang på knappen [INFO] på fjernkontrollen for å vise eller skjule id3-informasjonen om det aktuelle sporet.
- Dersom det ikke finnes informasjon tilgjengelig for det aktuelle sporet, vil i stedet teksten "NOFILE" eller "UNKNOWN" komme opp på displayet.

Å søke låt etter tittel via fjernkontrollen

Du kan søke en låt etter dens tittel/navn.

1. Når spillingen er stoppet, trykk en gang på knappen [FIND] på fjernkontrollen.
2. Bruk **I◀◀** og **▶▶I** for å bla blant låtene i alfabetisk rekkefølge.
3. Trykk på **▶/II** (22) for å starte avspillingen av den valgte låten.

Søk katalog via fjernkontrollen

Du kan søke en katalog etter dens tittel/navn.

1. Når spillingen er stoppet, trykk to ganger på knappen [FIND] på fjernkontrollen.
2. Bruk **▼** eller **▲** for å bla i mappene i alfabetisk rekkefølge.
3. Trykk på **▶/II** (22) for å starte avspillingen av den valgte mappen.

Repetert avspilling

- Trykk en eller gjentatte ganger på [REP/INTRO/RAND] (12) for å repetere et spor, album/mappe (kun mp3) eller en hel plate.
- Et symbol for repetert avspilling viser  hvilken type avspilling som er aktivert.

Avspilling i tilfeldig rekkefølge

- Trykk en eller gjentatte ganger på [REP/INTRO/RAND] for å aktivere tilfeldig avspilling. "RAN" blinker i displayet når denne funksjonen er aktivert.
- Trykk på [REP/INTRO/RAND] igjen eller på **■ STOP** for å deaktivere funksjonen for tilfeldig avspilling.

Intro (spille starten på spor)

- For å spare tid når du søker etter en spesiell låt, spilles de 10 første sekundene av låtene av.
- Trykk en eller gjentatte ganger på [REP/INTRO/RAND] for å starte avspillingen med intro-funksjonen aktivert. "INTRO" vises i displayet når funksjonen er aktivert.

Anm. Displayet kan kun vise tegn/bokstaver fra det engelske alfabetet.

Programmert avspilling via fjernkontrollen

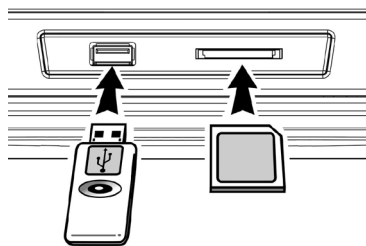
Inntil 32 spor kan programmeres i valgfri rekkefølge.

1. Stopp avspillingen ved å trykke på ■ (STOP).
2. Trykk en gang på [PROGRAM] på fjernkontrollen. "PROG", programnummer samt spornummer vises i displayet.
3. Bruk I◀◀ og ▶▶I for å velge det sporet som skal programmeres.
4. Bekreft med ett trykk på [PROGRAM]. Spornummeret blinker nå i displayet.
5. Repeter trinn 3 og 4 for å programmere flere spor.
6. Trykk på ▶II (22) for å starte avspillingen i den rekkefølgen du nettopp har programmert.
7. Trykk på ■ (STOP) for å stoppe avspillingen og å rense programminnet.

Spille av mp3- eller wma-filer fra ett minnekort/usb-minne

Apparatet kan spille av mp3- og wma-filer fra et usb-minne eller et minnekort av typen sd eller MMC.

1. Sett i et usb-minne/minneskort som vist på bildet. Påse at du plasserer usb-minnet/minnekortet riktig, så ikke kontakten blir skadet. Sett alltid usb-minnet/minnekortet rett inn uten å bøye på det.
2. Sett funksjonsomkobleren (10) i posisjon **CD/USB/SD** og trykk deretter på SOURCE (9) for å velge kilde, usb (usb-minne) eller CARD (minnekort). Displayet vil nå indikere valgt kilde, type lydformat og det totale antall spor.
3. Etter en kort stund viser displayet det totale antallet låter på platen.
4. Trykk en eller flere ganger på [FOLDER] (26) for å velge den mappen du vil spille fra. Navnet på mappen vises i displayet.
5. Bruk I◀◀ eller ▶▶I for å velge ønsket spor i den valgte mappen.
6. Trykk på ▶/II (22) for å starte avspillingen.
7. For å stoppe avspillingen midlertidig, trykk på ▶/II (22) igjen. Aktuelt spornummer blinker i displayet. Trykk på ▶/II (22) for å starte avspillingen igjen.
8. For å stoppe avspillingen, trykk på ■ (8) og hold den inne.



Spille kassett

1. Sett funksjonsvelgeren (10) på **CD/USB/SD**.
2. Trykk på **■▲** (STOP/EJECT) for å åpne kassettluken.
3. Sett inn en innspilt kassett og lukk kassettluken.
4. Trykk på **▶** (PLAY) for å starte avspillingen.
5. Trykk på **||** (PAUSE) dersom du vil avbryte spillingen midlertidig. Trykk på **||** igjen for å fortsette.
6. Ved å trykke på **◀◀** eller **▶▶** kan du spole båndet raskt bak- eller framover.
7. Trykk på **■▲** (STOP/EJECT) for å stoppe båndet. Knappene frigjøres automatisk når båndet er ferdigspilt, hvis ikke **||** (PAUSE)-knappen er inntrykt.

Innspilling til kassettbånd

Allmenn informasjon om innspilling

- Innspilling er tillatt så lenge den ikke bryter med opphavsretten eller andre rettigheter som innehas av tredje part.
- Det beste nivået for innspilling stilles inn automatisk. Du kan ikke påvirke en pågående innspilling med VOLUM- og X-BASS-kontrollene. I 7 sekunder helt i begynnelsen og slutten av båndet, når lederbåndet passerer innspillingshodene, skjer ingen innspilling.
- For å beskytte et bånd fra å slettes ved en feiltakelse, kan du bryte av en eller begge plastflikene på undersiden av båndet. Det er nå umulig å spille inn på den siden der fliken er fjernet. Dersom hullene, som ble dekket av flikene teipes igjen, kan du igjen spille inn på båndet.

Innspilling fra radio til kassett

1. Sett funksjonsvelgeren (10) på **TUNER**.
2. Velg AM eller FM med båndvelgeren for radio (24).
3. Trykk på **■▲** (STOP/EJECT) for å åpne kassettluke 1, legg i den kassetten som skal avspilles og steng luken.
4. Trykk inn både **●** (RECORD) og **▶** (PLAY) samtidig for å starte innspillingen.
5. Trykk på **||** (PAUSE) hvis du ønsker å stoppe innspillingen midlertidig. Trykk på **||** (PAUSE) igjen for å fortsette innspillingen.
6. Trykk på **■▲** for å avslutte innspillingen.

Innspilling av kassett til kassett

OBS! Du kan velge innspillingshastighet ved å trykke på [DUBBING] (6).

1. Sett funksjonsvelgeren (10) på **TAPE**.
2. Trykk på ■▲ (STOP/EJECT) for å åpne kassettluke 1, legg i den kassetten som det skal spilles inn på her og steng luken.
3. Trykk på ■▲ (STOP/EJECT) for å åpne kassettluke 2, legg i den kassetten som skal kopieres på her og steng luken.
4. Trykk på ► (PLAY) på kassettdekk 2 og trykk deretter inn både ● (RECORD) og ► (PLAY) samtidig for å starte innspillingen.
5. Trykk på || (PAUSE) hvis du ønsker å stoppe innspillingen midlertidig. Trykk på || (PAUSE) igjen for å fortsette innspillingen.
6. Trykk på ■▲ for å avslutte innspillingen.

Innspilling fra cd/usb/minnekort til kassett

1. Sett funksjonsvelgeren (10) på **CD/USB/SD**.
2. Trykk på ■▲ (STOP/EJECT) for å åpne kassettluke 1, legg i den kassetten som det skal spilles inn på her og steng luken.
3. Start avspillingen fra den valgte kilden (cd, usb-minne eller minnekort).
4. Trykk inn både ● (RECORD) og ► (PLAY) samtidig for å starte innspillingen.
5. Trykk på || (PAUSE) hvis du ønsker å stoppe innspillingen midlertidig. Trykk på || (PAUSE) igjen for å fortsette innspillingen.
6. Trykk på ■▲ for å avslutte innspillingen.

Innspilling fra LP-plate til kassett

1. Sett funksjonsvelgeren (10) på **PHONO**.
2. Trykk på ■▲ (STOP/EJECT) for å åpne kassettluke 1, legg i den kassetten som det skal spilles inn på her og steng luken.
3. Start avspilling fra platespilleren.
4. Trykk inn både ● (RECORD) og ► (PLAY) samtidig for å starte innspillingen.
5. Trykk på || (PAUSE) hvis du ønsker å stoppe innspillingen midlertidig. Trykk på || (PAUSE) igjen for å fortsette innspillingen.
6. Trykk på ■▲ for å avslutte innspillingen.

Spille inn til mp3 på usb-minne eller minnekort

Spille inn fra CD til MP3

Forberedelser

- Plasser et usb-minne i usb-tilkoblingspunktet eller et minnekort i minnekorttilkoblingen. OBS! Hvis det sitter både et usb-minne og et minnekort i musikkanlegget velges automatisk usb-minnet som lagringsplass.
- Sett funksjonsomkobleren (10) i posisjon **CD/USB/SD** og legg i den cd-platen du vil spille.

Spille inn en låt

1. Start avspillingen av det sporet på cd-platen, som du vil spille inn.
2. Trykk deretter på [REC] (13) for å starte innspillingen.
3. Innspillingen stopper automatisk når sporet/låten er ferdig innspilt.

Spille inn en hel plate

1. Trykk på [REC] (13) for å starte innspillingen.
2. Start avspillingen av cd-platen som skal spilles inn.
3. Innspillingen stopper når hele platen er ferdig spilt. Apparatet deler automatisk opp sporene på usb-minnet/minnekortet.

Spille inn programmerte låter

1. Følg instruksjonene for programmert avspilling ovenfor.
2. Trykk på ►/II (22) for å starte avspillingen.
3. Under avspillingen, trykk og hold inne [REC] (13) i 2 sekunder. Innspillingen starter.
4. Innspillingen stopper automatisk når programmet er ferdig innspilt.

Spille inn fra platespilleren til mp3

Forberedelser

- Plasser et usb-minne i usb-tilkoblingspunktet eller et minnekort i minnekorttilkoblingen.
- Sett funksjonsomkobleren (15) i posisjon **PHONO** og legg på den platen du vil spille inn fra.

Spille inn ett spor eller en hel plate

1. Start avspillingen av det eller de spor på LP-platen som du vil spille inn på usb-minnet/minnekortet.
2. Trykk deretter på [REC] (13) for å starte innspillingen. Samtlige spor lagres om en hel mp3-fil til innspillingen avbrytes manuelt.

3. For å dele opp en innspilling i flere filer, gjør som følger: Trykk en gang på TS (på fjernkontrollen) for å legge inn en pause og lag deretter en ny fil der det neste sporet spilles inn. Gjør på samme måte på alle steder der du ønsker å dele opp innspillingen. For hver gang en ny fil lages vil "PHONO" blinke en gang på skjermen. **Obs!** Dette må gjøres under innspillingen.
4. Når du har spilt inn ønsket spor, trykk og hold inne [REC] (13) for å stoppe innspillingen.

Spille inn fra kassettbånd til mp3

Forberedelser

- Plasser et usb-minne i usb-tilkoblingspunktet eller et minnekort i minnekorttilkoblingen.
- Sett funksjonsomkobleren (15) i posisjon **TAPE** og legg på den platen du vil spille inn fra.

Spille inn ett spor eller en hele kassetten

1. Start avspillingen av det eller de spor på LP-platen som du vil spille inn på usb-minnet/ minnekortet.
2. Trykk deretter på [REC] (13) for å starte innspillingen. Samtlige spor lagres om en hel mp3-fil til innspillingen avbrytes manuelt.
3. For å dele opp en innspilling i flere filer, gjør som følger: Trykk en gang på TS (på fjernkontrollen) for å legge inn en pause og lag deretter en ny fil der det neste sporet spilles inn. Gjør på samme måte på alle steder der du ønsker å dele opp innspillingen. For hver gang en ny fil lages vil "PHONO" blinke en gang på skjermen. **Obs!** Dette må gjøres under innspillingen.
4. Når du har spilt inn ønsket spor, trykk og hold inne [REC] (13) for å stoppe innspillingen.

Kopiering fra usb-minne til minnekort og vice versa

Obs! Kopiering av mp3-filer fungerer kun hvis man kopierer hele filen (låten). Man kan altså ikke spille inn deler av en låt.

Forberedelser



- Plasser et usb-minne i usb-tilkoblingspunktet eller et minnekort i minnekorttilkoblingen.
- Sett funksjonsvelgeren (10) på **CD/USB/SD**.

Eksemplet nedenfor beskriver innspilling fra minnekort til usb-minne.

a) Spille inn en låt

1. Start avspillingen av det sporet på minnekortet, som du vil spille inn på usb-minnet.
2. Trykk deretter på [REC] (13) for å starte innspillingen.
3. Når låten er ferdig kopiert avbrytes avspillingen automatisk.

b) Spille inn alle låtene

1. Velg sd-modus med SOURCE-knappen og sett inn det minnekortet du ønsker å kopiere. [REC] (13)
2. Når all informasjonen på kortet er innlest, trykk på [REC] (13) for å starte innspillingen. Displayet viser  og  når kopieringen pågår.
3. Når minnekortet er ferdig kopiert avbrytes innspillingen automatisk.

Still innspillingskvaliteten via fjernkontrollen

Kvaliteten på innspillingen til mp3 kan stilles inn på mellom 32 og 256 Kbps. Høyere innspillingskvalitet innebærer også større filstørrelse.

1. Sett funksjonsvelgeren (10) på **PHONO**.
2. Trykk knappen på [INFO] på fjernkontrollen. Displayet viser innstilt innspillingskvalitet.
3. Bruk **I◀◀** og **▶▶I** for å velge innspillingskvalitet. Bekreft med ett trykk på [INFO]

Slette filer

Slette en enkel fil

1. Sett funksjonsvelgeren (10) på CD/USB/SD og velg **USB** eller **SD** med [SOURCE]-knappen.
2. Hold INFO inne på fjernkontrollen i ca. 3 sek. Displayet viser "DEL --- 001".
3. Bruk **I◀◀** eller **▶▶I** for å bla i filene.
4. Trykk på [REC] for å velge den filen du vil slette. Displayet viser "YES NO".
5. Trykk på **I◀◀** eller **▶▶I** for å velge "YES" eller "NO" og å bekreft deretter slettingen med **REC**.

Slette alle filer

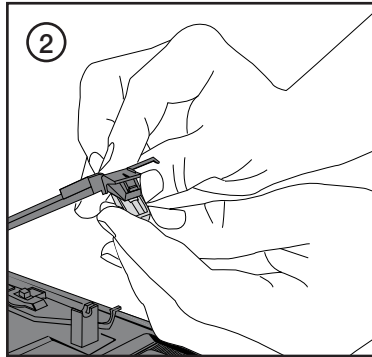
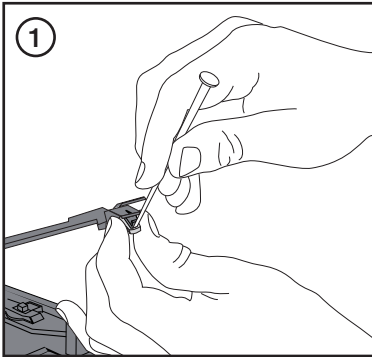
1. Sett funksjonsvelgeren (10) på **CD/USB/SD** og velg **USB** eller **SD** med [SOURCE]-knappen.
2. Hold [INFO] inne på fjernkontrollen i ca. 3 sek. Displayet viser "DEL --- 001".
3. Hold [INFO] på fjernkontrollen inne igjen. Displayet viser "FORMAT? Y/N".
4. Trykk på **I◀◀** eller **▶▶I** for å velge "YES" eller "NO" og å bekreft deretter slettingen med [REC].

Stell og vedlikehold

Trekk ut støpselet og tørk deretter apparatet med en myk klut og ev. et mildt rengjøringsmiddel, ved behov. Bruk aldri slipende rengjøringsmidler eller løsemidler.

Bytte av stift

1. Hold i pickupen med den ene hånden og trykk ned en liten skrutrekker i framkanten mellom pickupen og stiften. Bøy skrutrekkeren forsiktig bakover som vist på bildet så stiften løsner.
2. Sett inn en ny stift ved å trykke den ned i bakkant først. Trykk den deretter fast i framkant.



Avfallshåndtering

Når produktet skal kasseres, må det skje i henhold til lokale forskrifter. Ved usikkerhet, ta kontakt med de lokale myndighetene.

Spesifikasjoner

Strømforsyning	230 V AC, 50 Hz
Batteritype, fjernkontroll	2 x AAA/LR03
Omdrein./min. platespiller	33/45 o/min.
Størrelse, hovedenhet	305 x 415 x 375 mm
Størrelse, høyttalere	200 x 360 x 195 mm

Ministereet ja levysoitin

Tuotenumero 38-4172

Malli HF-618AE

Lue käyttöohjeet ennen tuotteen käyttöönottoa. Säilytä käyttöohjeet tulevaa tarvetta varten. Pidätämme oikeuden teknisten tietojen muutoksiin. Emme vastaa mahdollisista teksti- tai kuvavirheistä. Jos laitteeseen tulee teknisiä ongelmia, ota yhteys myymälään tai asiakaspalveluun (yhteystiedot käyttöohjeen lopussa).

Turvallisuus

- Laitteen saa korjata vain valtuutettu huoltoliike.
- Älä pura tai muuta laitetta.
- Älä sijoita laitetta sellaiseen paikkaan, josta se voi tippua veteen tai muuhun nesteeseen. Älä pane laitteen päälle nesteitä sisältäviä esineitä, kuten maljakoita tai virvoitusjuomapulloja.
- Varmista, että se pistorasia, mihin laite on liitetty, on helposti ulottuvilla, koska laitteen pistoketta käytetään liittämään ja irrottamaan laite verkkovirrasta.
- Älä peitä laitetta. Riittävä ilmastointi (vähintään 15 cm ilmastointiaukon ja ympäröivän pinnan välillä) on välttämätön, jotta laitteen ylikuumeneminen estetään.
- Älä käytä laitetta kosteissa tai pölyisissä tiloissa tai paikoissa, joissa siihen kohdistuu voimakasta värähtelyä.
- Valmiustilan valintakytkimellä ei voi erottaa laitetta verkkovirrasta. Irrota laite kokonaan sähköverkosta irrottamalla laitteen verkkojohto pistorasiasta.
- Älä kuuntele kuulokkeista kovaäänistä musiikkia pitkäkestoisesti, se voi vahingoittaa kuuloasi.

Huomioi seuraavat turvallisuussymbolit



Varoitus! Älä avaa laitteen kotelo! Kotelon sisällä on vaarallista jännitettä sisältäviä suojaamattomia komponentteja, jotka voivat aiheuttaa sähköiskun.

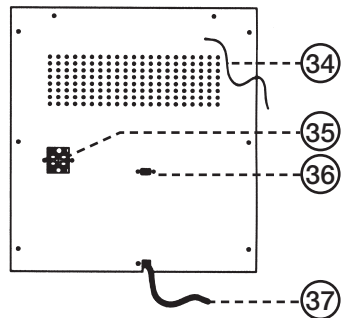
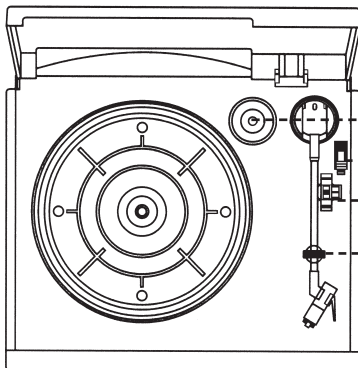
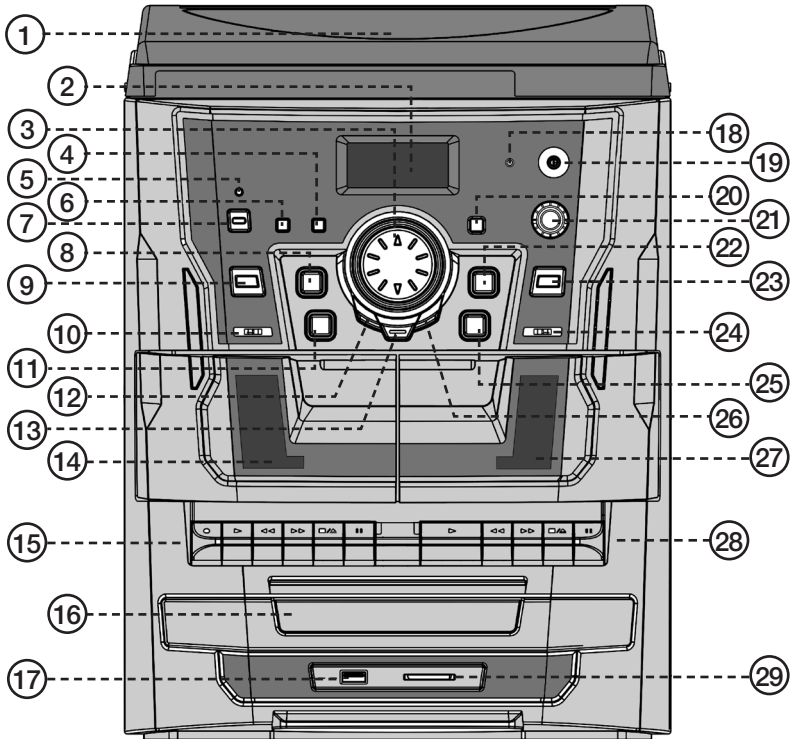


LUOKAN 1 LASERLAITE

Varoitus! Älä avaa laitteen kotelo! Näkymätön lasersäde voi aiheuttaa silmävaurioita. Älä katso säteeseen edes optisten instrumenttien läpi.

Tuotekuvas

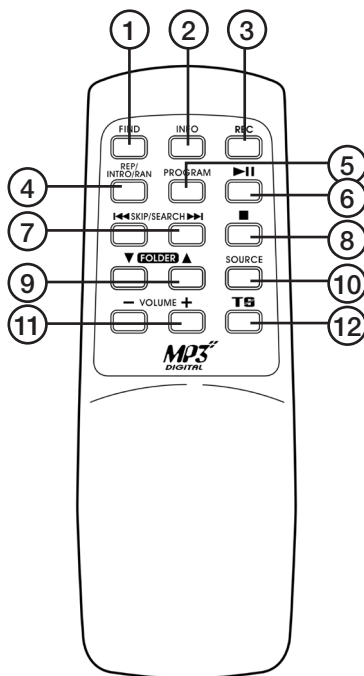
Päälaite



1. **Kansi**
2. **Näyttö**
3. **Äänenvoimakkuuden lisäys/vähennys**
4. **X-BASS** – Lisäbasso
5. **Standby-tilan merkkivalo**
6. **DUBBING** – Kasettisoittimen nauhoituksen nopeudenvälitsin
7. **ON/STANDBY** – Standby-valitsin
8. **■** – Cd/usb/sd:n toiston keskeytys
9. **[SOURCE]** – Äänilähteen valinta: cd/usb/sd
10. **CD/USB/SD, TAPE, TUNER, PHONO**
– Toiminnonvalitsin: cd/usb/sd, kasettisoitin, radio ja LP-levy
11. **I ◀◀** – Edellinen raita/pikakelaus taaksepäin painamalla pitkään
12. **REP/INTRO/RAN** – Uudelleentoisto/Intro/Satunnaistoisto
13. **● REC** – Cd/usb/sd:n tallennuspainike
14. **Kasettilokero**
15. **Kasettipesän 1 toiminnot**
 - a. **●** – Nauhoituksen aloitus
 - b. **▶** – Toiston aloitus
 - c. **◀◀ / ▶▶** – Pikakelaus taaksepäin/eteenpäin
 - d. **■▲** – Pysäytys/Kasettilokeron avaus
 - e. **||** – Toiston keskeytys
16. **Cd-lokero**
17. **USB** – USB-muistiliitäntä
18. **FM stereo -merkkivalo**
19. **Kuulokeliitäntä (3,5 mm stereo)**
20. **Infrapunatunnistin kaukosäädintä varten**
21. **TUNING** – Taajuuden valitsin
22. **▶||** – Cd/usb/sd:n toiston aloitus tai keskeytys
23. **▲** – Cd-lokeron avaus/sulkeminen
24. **AM/FM/FM-ST** – Radion taajuusaluevalitsin
25. **▶▶I** – Seuraava raita/pikakelaus eteenpäin painamalla painiketta pitkään
26. **FOLDER UP** – Kansion valinta mp3-toiston aikana
27. **Kasettilokero**
28. **Kasettipesän 2 toiminnot**
 - a. **▶** – Toiston aloitus
 - b. **◀◀ / ▶▶** – Pikakelaus taaksepäin/eteenpäin
 - c. **■▲** – Pysäytys/Kasettilokeron avaus
 - d. **||** – Toiston keskeytys
29. **SD/MMC** – Muistikorttiliitäntä
30. **Levysovitin**
31. **Äänivarren nostovipu**
32. **Kierroslukuvälitsin 33/45 kierr./min**
33. **Äänivarrenpidike**
34. **FM-antenni**
35. **Kaiutinliitännät (oikea/vasen)**
36. **"Auto stop"-kytkin**
37. **Verkkojohdon liitäntä**

Kaukosäädin

1. **FIND** – Kappaleiden nimien ja kansioiden hakutoiminto
2. **INFO** – Lisätietoja kappaleesta
3. **REC** – Cd/usb/sd:n tallennuspainike
4. **REP/INTRO/RAN** – Uudelleentoisto/Intro/Satunnaistoisto
5. **PROGRAM** – Cd/usb/sd:n ohjelmointipainike
6. **▶||** – Cd/usb/sd:n toiston aloitus tai keskeytys
7. **I◀◀** – Edellinen raita/pikakelaus taaksepäin painamalla pitkään.
▶▶I – Seuraava raita/pikakelaus eteenpäin painamalla pitkään
8. **■** – Cd/usb/sd:n toiston keskeytys
9. **FOLDER ▲/▼** - Kansion valinta usb/sd/cd-toistossa (mp3- tai wma-tiedostot)
10. **[SOURCE]** – Äänilähteen valinta: cd/usb/sd
11. **VOLUME +/-** – Äänenvoimakkuuden lisääminen ja vähentäminen
12. **TS (Track Separation)** – Tallennuksen jakaminen useaan tiedostoon



Liitännät

Kaiuttimien asennus

- Liitä oikea ja vasen kaiutin oikeaan (R) ja vasempaan (L) ääniliitäntään (35) laitteen takaosassa.

Sähköverkkoon liittäminen

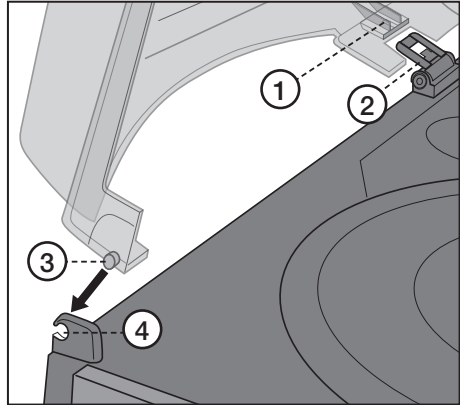
1. Liitä virtajohdon pistoke verkkopistorasiaan. Varmista, että laitteen takaosan arvokilpeen merkitty jännite (V) on sama, kuin sähköverkkosi jännite (230 V AC 50 Hz). Jos jännite on eri, kysy neuvoa myyjältä tai alan ammattilaiselta.
2. Katkaise laitteesta virta kokonaan irrottamalla pistoke pistorasiasta. Irrota pistoke pistorasiasta myös voimakkaalla ukonilmalla.

Kokoaminen ja asentaminen

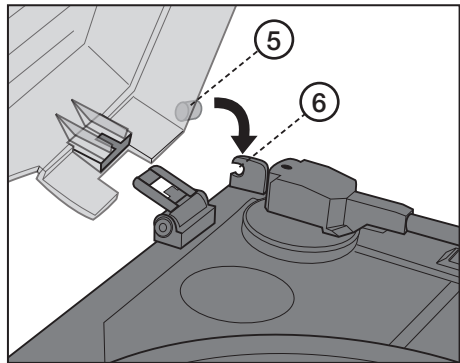
Kannen kokoaminen

Huom. Numerot (1–6) koskevat vain tämän osion kuvia.

1. Varmista, että sarana (2) on taitettu kokonaan taakse.
2. Työnnä kannen ura (1) saranaan (2), mutta älä työnnä sitä vielä pohjaan asti.
3. Aseta kannen vasemmanpuoleinen ohjaintappi (3) ensin levysoittimen vasempaan kiinnikkeeseen (4).



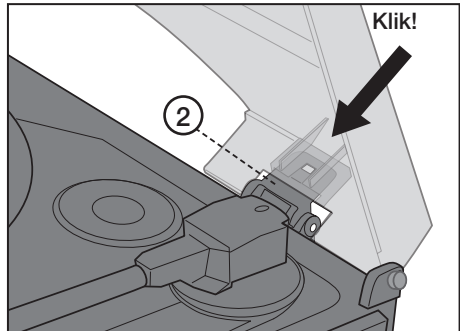
4. Paina sen jälkeen kannen oikeanpuoleinen ohjaintappi (5) varovasti levysoittimen oikeaan kiinnikkeeseen (6).



5. Paina kansi samalla paikalleen, kunnes sarana (2) lukittuu ja kuulet napsahduksen.

Huom.

Ole varovainen kiinnittäessäsi kantta levysoittimen sivukiinnikkeisiin. Virheellinen kiinnitys voi vaurioittaa levysoittimen sivukiinnikkeitä.



Käyttö

Radion kuuntelu

FM

1. Aseta toimintovalitsin [10] asentoon **TUNER**.
2. Aseta radion taajuusaluevalitsin asentoon **FM** (mono) tai **FM-ST** (stereo).
3. Valitse taajuus taajuusvalitsimella (21).
4. Sijoita lanka-antenni (34) siten, että saavutat parhaan kuuluvuuden.
5. Säädä äänenvoimakkuus valitsimella (3).

AM

1. Aseta toimintovalitsin [10] asentoon **TUNER**.
2. Valitse taajuus taajuusvalitsimella (21).
3. Säädä äänenvoimakkuus valitsimella (3).

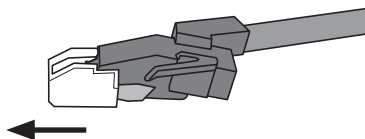
Vinkkejä hyvään vastaanottoon

AM: Laitteessa on sisäinen antenni AM-vastaanottoon. Vastaanottoa voidaan parantaa laitetta siirtämällä.

FM: Sijoita lanka-antenni (34) siten, että saavutat parhaan kuuluvuuden. Antenni on oiottava kokonaan, jotta kuuluvuus olisi paras mahdollinen.

LP-levyjen kuuntelu

1. Poista neulasuoja äänivarresta vetämällä neulasuojaa suoraan ulospäin kuvan mukaisesti.
2. Laita levysoitin päälle asettamalla toimintovalitsin (10) asentoon **PHONO**.
3. Aseta levy levylautaselle. Joissakin 45 kierroksen levyissä on suuri keskireikä, ja ne tarvitsevat levysovittimen (30).
4. Valitse oikea soitonopeus valitsimella (32) levyn mukaan.
5. Nosta ja siirrä äänivarsi levyn päälle. Levylautanen alkaa pyöriä.
6. Laske äänivarsi varovasti halutun raidan alkuun.
7. Levyn toisto alkaa. Säädä äänenvoimakkuus valitsimella (3).
8. Sijoita äänivarsi telineeseen, kun haluat lopettaa toiston. Levylautanen lopettaa pyörimisen.



Huom.!

Joissakin levyissä on lopetusmerkki ennen "auto stop"-aluetta. Tämä tarkoittaa, että jotkin levyt lopettavat soittamisen ennen viimeistä kappaletta. Tämä voidaan estää kytkemällä "Auto stop"-valitsin (36) asentoon **OFF**.

Huom.! Levysoitin jatkaa pyörimistä viimeisen kappaleen loppumisen jälkeenkin. Kytke tällöin "Auto stop"-valitsin (36) asentoon **ON** tai aseta toimintovalitsin (10) johonkin muuhun asentoon kuin **PHONO**.

Cd-levyjen kuuntelu

1. Aseta toimintovalitsin (10) asentoon **CD/USB/SD**.
2. Avaa cd-lokero painamalla [OPEN/CLOSE](23).
3. Aseta cd-levy (audiolevy tai MP3-tiedostoja sisältävä CD-R/CD-RW-levy) cd-lokeroon kuvapuoli ylöspäin.
4. Sulje cd-lokero painamalla [OPEN/CLOSE] (23).
5. Näytölle ilmestyy pian levyn raitojen kokonaismäärä. Jos levy sisältää mp3- tai wma-tiedostoja, voit selata kansioita painikkeella [FOLDER UP] [26]. Valitse kansioista toistettava raita painikkeilla **I◀◀** tai **▶▶I**.
6. Aloita toisto painamalla **▶/II** (22). Soitin aloittaa toiston ensimmäisestä raidasta.
7. Keskeytä toisto väliaikaisesti painamalla uudestaan **▶/II** (22). Pysäytetyn raidan numero vilkkuu näytöllä. Jatka toistoa painamalla vielä kerran **▶/II** (22).
8. Lopeta toisto kokonaan painamalla pitkään **■** (8).

Raidan valitseminen

Toiston tai tauon aikana voit valita toisen raidan painamalla **I◀◀** tai **▶▶I** (11, 25).

1. Siirry seuraaviin raitoihin painamalla nopeasti **▶▶I** kerran tai useammin, kunnes haluamasi raidan numero näkyy näytöllä.
2. Siirry toistettavan raidan alkuun painamalla nopeasti **I◀◀**. Siirry edellisiin raitoihin painamalla painiketta nopeasti useita kertoja.

Raidan tietyn kohdan hakeminen

1. Etsi raidan kohta painamalla **I◀◀** tai **▶▶I**. Cd-levyä toistetaan nopeasti ja äänenvoimakkuus on pieni.
2. Päästä painike, kun olet päässyt haluamaasi kohtaan. Normaali toisto jatkuu.

Huom.

- Mp3-tiedostojen äänen laatu saattaa vaihdella tallennuksen tai levyn laadusta riippuen.
- Tavallisesti laite tunnistaa mp3-tiedostoja sisältävän levyn hitaammin kuin tavallisen cd-levyn.

Kappaleen nimen näyttö (kaukosäätimellä)

- Näytä tai piilota mp3-raidan ID3-tiedot painamalla kaukosäätimen [INFO]-painiketta toiston aikana.
- Jos raidan tietoja ei ole saatavilla, näytöllä lukee "NOFILE" tai "UNKNOWN".

Haku raidan nimellä (kaukosäätimellä)

Voit hakea kappaleita nimen mukaan.


1. Paina pysäytystilassa kaukosäätimen [FIND]-painiketta kerran.
2. Selaa raitoja aakkosjärjestyksessä näppäimillä **I◀◀** ja **▶▶I**.
3. Aloita valitun raidan toisto painamalla **▶II** (22).

Haku kansion nimellä (kaukosäätimellä)

Voit hakea kansioita nimen mukaan.

1. Paina kaukosäätimen [FIND]-painiketta kaksi kertaa pysäytystilassa.
2. Selaa kansioita aakkosjärjestyksessä näppäimillä **▼** ja **▲**.
3. Aloita valitun kansion raitojen toisto painamalla **▶II** (22).

Jatkuva toisto

- Paina [REP/INTRO/RAND] (12) kerran tai useasti, kun haluat uudelleentoistaa raidan, albumin/katalogin (mp3) tai koko levyn.
- Uudelleentoiston symboli  näyttää valitun toistotavan.

Satunnainen toisto

- Aloita satunnaistoisto painamalla [REP/INTRO/RAN] kerran tai useasti. Satunnaistoiston ollessa aktivoituna näytöllä vilkkuu "RAN".
- Lopeta satunnaistoisto painamalla [REP/INTRO/RAN] tai **■ STOP**.

Intro (jokaisen raidan alun toisto)

- Säädä aikaa ja kuuntele jokaisen raidan 10 ensimmäisen sekunnin toisto.
- Paina [REP/INTRO/RAND] kerran tai useasti, kun haluat aktivoida introtoiston. Introtoiston ollessa aktivoituna näytöllä lukee "INTRO".

Huom. Näytöllä näkyvät vain englanninkieliset kirjainmerkit.

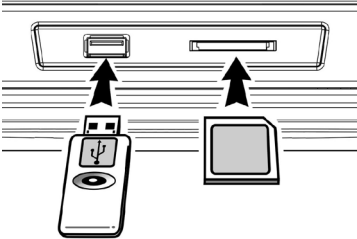
Ohjelmoitu toisto (kaukosäätimellä)

Soitin voidaan ohjelmoida toistamaan jopa 32 raitaa halutussa järjestyksessä.

1. Lopeta toisto painamalla **■** STOP.
2. Paina kerran kaukosäätimen [PROGRAM]-painiketta. Näytöllä näkyy "PROG", ohjelmanumero ja raidan numero.
3. Valitse ohjelmoitava raita painikkeilla **◀◀** ja **▶▶**.
4. Vahvista painamalla kerran [PROGRAM]. Raidan numero vilkkuu näytöllä.
5. Toista kohdat 3 ja 4 muiden raitojen ohjelmoimiseksi.
6. Aloita ohjelmoitu toisto painamalla **▶||** (22).
7. Lopeta toisto ja poista ohjelmointi painamalla **■** STOP.

Mp3- tai wma-tiedostojen toistaminen muistikortilta tai usb-muistilta

Laite toistaa mp3- ja WMA-tiedostoja USB-muistilta tai SD-/MMC-muistikortilta.

1. Aseta usb-muisti/muistikortti laitteeseen kuvan mukaisesti. Varmista, että usb-muisti/muistikortti on oikein päin, jotta kontakti ei vahingoitu. Työnnä usb-muisti/muistikortti suoraan ja taivuttamatta.
- 
2. Säädä toimintovalitsin (10) CD/USB/SD-tilaan ja paina [SOURCE] (9). Valitse USB (USB-muisti) tai CARD (muistikortti). Näytöllä näkyy valittu lähde, äänisuhde ja raitojen kokonaismäärä.
 3. Näytölle ilmestyy pian levyn raitojen kokonaismäärä.
 4. Valitse haluamasi kansio painamalla [FOLDER] (26) kerran tai useasti. Kansion nimi näkyy näytöllä.
 5. Valitse toistettava raita painikkeilla **◀◀** tai **▶▶**.
 6. Aloita toisto painamalla **▶||** (22).
 7. Keskeytä toisto väliaikaisesti painamalla uudestaan **▶||** (22). Pysäytetyn raidan numero vilkkuu näytöllä. Jatka toistoa painamalla vielä kerran **▶||** (22).
 8. Lopeta toisto kokonaan painamalla pitkään **■** (8).

Kasettien soittaminen

1. Aseta toimintovalitsin (10) asentoon **CD/USB/SD**.
2. Avaa kasettilokero painamalla **■▲** (STOP/EJECT) -painiketta.
3. Aseta lokeroon kasetti ja sulje lokero.
4. Aloita toisto painamalla **▶** (PLAY) -painiketta.
5. Keskeytä toisto tilapäisesti painamalla **||** (PAUSE). Jatka toistoa painamalla uudelleen **||**.
6. Painamalla **◀◀** tai **▶▶** voit pikakelata kasettia eteen- ja taaksepäin.
7. Pysäytä kasetti painamalla **■▲** (STOP/EJECT)-painiketta. Painikkeet vapautuvat automaattisesti nauhan loputtua, mikäli **||** (PAUSE) ei ole painettuna.

Nauhoittaminen kasetille

Yleistä tietoa tallennuksesta

- Tallentaminen on sallittua, ellei se riko tekijänoikeuksia tai muita kolmannen osapuolen oikeuksia.
- Äänenvoimakkuus on automaattisesti oikea tallennettaessa. Ääneen ei voi vaikuttaa nauhoituksen aikana äänenvoimakkuus- ja X-BASS-näppäimillä. Nauhan alussa ja lopussa on 7 sekunnin pätkä, jonka päälle ei voi nauhoittaa.
- Voit varmistaa, ettei kasetin päälle tallenneta vahingossa murtamalla toisen tai molemmat muovikielekkeet kasetin alaosasta. Poistetun kielekkeen puolelle ei voi tallentaa. Jos peität reiän teipillä, voit taas nauhoittaa kasetille.

Tallentaminen radiosta kasetille

1. Aseta toimintovalitsin [10] asentoon **TUNER**.
2. Valitse **AM** tai **FM** radion taajuusaluevalitsimella (24).
3. Avaa kasettipesä 1 painamalla **■▲** (STOP/EJECT). Aseta pesään kasetti, johon haluat nauhoittaa, ja sulje luukku.
4. Aloita tallennus painamalla **●** (RECORD) ja **▶** (PLAY) yhtä aikaa.
5. Keskeytä tallennus hetkeksi painamalla **||** (PAUSE) -painiketta. Jatka tallennusta painamalla uudelleen **||**.
6. Lopeta tallennus painamalla **■▲**.

Tallentaminen kasetilta toiselle

HUOM.! Voit vaihtaa tallennusnopeutta painamalla [DUBBING] [6].

1. Aseta toimintovalitsin [10] asentoon **TAPE**.
2. Avaa kasettipesä 1 painamalla ■▲ (STOP/EJECT). Aseta pesään kasetti, johon haluat nauhoittaa, ja sulje luukku.
3. Avaa kasettipesä 2 painamalla ■▲ (STOP/EJECT). Aseta pesään kasetti, jonka haluat kopioida, ja sulje luukku.
4. Paina kasettipesän 2 ► (PLAY) -painiketta ja paina sitten yhtä aikaa ● (RECORD) ja ► (PLAY) , niin tallennus alkaa.
5. Keskeytä tallennus hetkeksi painamalla || (PAUSE) -painiketta. Jatka tallennusta painamalla uudelleen ||.
6. Lopeta tallennus painamalla ■▲.

Tallentaminen cd:ltä/usb:ltä/muistikortilta kasetille

1. Aseta toimintovalitsin (10) asentoon **CD/USB/SD**.
2. Avaa kasettipesä 1 painamalla ■▲ (STOP/EJECT). Aseta pesään kasetti, johon haluat nauhoittaa, ja sulje luukku.
3. Aloita valitun äänilähteen (cd, usb-muisti, muistikortti) toisto.
4. Aloita tallennus painamalla ● (RECORD) ja ► (PLAY) yhtä aikaa.
5. Keskeytä tallennus hetkeksi painamalla || (PAUSE) -painiketta. Jatka tallennusta painamalla uudelleen ||.
6. Lopeta tallennus painamalla ■▲.

Tallennus LP-levyltä kasetille

1. Aseta toimintovalitsin (10) asentoon **PHONO**.
2. Avaa kasettipesä 1 painamalla ■▲ (STOP/EJECT). Aseta pesään kasetti, johon haluat nauhoittaa, ja sulje luukku.
3. Aloita LP-levyn toisto.
4. Aloita tallennus painamalla ● (RECORD) ja ► (PLAY) yhtä aikaa.
5. Keskeytä tallennus hetkeksi painamalla || (PAUSE) -painiketta. Jatka tallennusta painamalla uudelleen ||.
6. Lopeta tallennus painamalla ■▲.

Mp3:n tallennus USB-muistille tai muistikortille

Tallennus cd-levyltä mp3-muotoon

Esivalmistelut

- Liitä usb-muisti usb-liitäntään tai muistikortti muistikorttiliitäntään. **HUOM.!** Jos stereoissa on yhtäaikaaisesti usb-muisti ja muistikortti liitettynä, laite valitsee usb-muistin automaattisesti tallennuspaikaksi.
- Aseta toimintovalitsin (10) asentoon **CD/USB/SD** ja aseta cd-lokeroon cd-levy, jolta haluat tallentaa.

Yhden kappaleen tallennus

1. Aloita cd-levyltä tallennettavan raidan toisto.
2. Aloita tallennus painamalla [REC] (13).
3. Tallennus lakkaa automaattisesti raidan lopussa.

Koko levyn tallennus

1. Aloita tallennus painamalla [REC] (13).
2. Käynnistä cd-levy, jonka haluat tallentaa.
3. Tallennus päättyy levyn lopussa. Laite muuttaa USB-muistiin/muistilevylle tallennetut kappaleet automaattisesti erillisiksi tiedostoiksi.

Ohjelmoitujen kappaleiden tallennus

1. Noudata yllä olevia ohjeita ohjelmoidusta toistosta.
2. Aloita toisto painamalla ►/II (22).
3. Paina toiston aikana [REC] (13) kahden sekunnin ajan. Tallennus alkaa.
4. Tallennus lakkaa automaattisesti, kun ohjelmointi on lopussa.

Tallennus levysoittimelta mp3-muotoon

Esivalmistelut

- Liitä usb-muisti usb-liitäntään tai muistikortti muistikorttiliitäntään.
- Aseta toimintovalitsin (15) **PHONO**-asentoon ja aseta levylautaselle levy, jolta haluat tallentaa.

Yhden raidan tai koko levyn tallennus

1. Aloita usb-muistiin/muistikortille tallennettavan/tallennettavien LP-levyn raitojen toisto.
2. Aloita tallennus painamalla [REC] (13). Kaikki raidat tallentuvat yhdeksi mp3-tiedostoksi, kunnes keskeytät tallennuksen.

3. Jos haluat jakaa tallennetut raidat useammiksi tiedostoiksi, toimi seuraavasti: Syötä tauko ja luo uusi tiedosto, johon seuraava raita tallentuu painamalla kerran [TS] (kaukosäätimestä). Tee samalla tavalla kaikissa niissä kohdissa, joissa haluat luoda uuden tiedoston. Joka kerta kun luot uuden tiedoston, vilkkuu teksti "PHONO" kerran näytöllä. **Huom.!** Raidat voi jakaa erillisiksi tiedostoiksi ainoastaan tallennuksen aikana.
4. Keskeytä tallennus painamalla [REC] (13), kun olet tallentanut haluamasi raidan tai raidat.

Tallennus kasetilta mp3-muotoon

Esivalmistelut

- Liitä usb-muisti usb-liitäntään tai muistikortti muistikorttiliitäntään.
- Aseta toimintovalitsin (15) **TAPE**-asentoon ja aseta kasettipesään kasetti, jolta haluat tallentaa.

Yhden raidan tai koko kasetin tallennus

1. Aloita usb-muistiin/muistikortille tallennettavan/tallennettavien kasetin raitojen toisto.
2. Aloita tallennus painamalla [REC] (13). Kaikki raidat tallentuvat yhdeksi mp3-tiedostoksi, kunnes keskeytät tallennuksen.
3. Jos haluat jakaa tallennetut raidat useammiksi tiedostoiksi, toimi seuraavasti: Syötä tauko ja luo uusi tiedosto, johon seuraava raita tallentuu painamalla kerran [TS] (kaukosäätimestä). Tee samalla tavalla kaikissa niissä kohdissa, joissa haluat luoda uuden tiedoston. Joka kerta kun luot uuden tiedoston, vilkkuu teksti "PHONO" kerran näytöllä. **Huom.!** Raidat voi jakaa erillisiksi tiedostoiksi ainoastaan tallennuksen aikana.
4. Keskeytä tallennus painamalla [REC] (13), kun olet tallentanut haluamasi raidan tai raidat.

Tallennus usb-muistilta muistikortille ja päin vastoin

Huom.! Mp3-tiedostojen kopiointi toimii ainoastaan, jos kopioidaan koko tiedosto (kappale). Kappaleesta ei siis voi tallentaa vain osia.

Esivalmistelut


- Liitä usb-muisti usb-liitäntään ja muistikortti muistikorttiliitäntään.
- Aseta toimintovalitsin (10) asentoon **CD/USB/SD**.

Alla olevassa esimerkissä kuvaillaan tallennusta muistikortilta usb-muistiin.

a) Yhden kappaleen tallennus

1. Aloita muistikortille tallennettavan raidan toisto usb-muistilta.
2. Aloita tallennus painamalla [REC] (13).
3. Kun kappale on kopioitu, toisto pysähtyy automaattisesti.

b) Kaikkien kappaleiden tallennus

1. Valitse [SOURCE]-painikkeella SD-tila, ja aseta kopioitava muistikortti stereoihin.
2. Kun kortin kaikki tiedot on luettu, aloita tallennus painamalla [REC] (13). Näytöllä näkyy  ja **REC** kopioinnin ollessa käynnissä.
3. Kun muistikortti on kopioitu, toisto pysähtyy automaattisesti.

Äänityksen laadun valinta (kaukosäätimellä)

Mp3-tiedostojen äänityksen laatu voidaan säätää 32 ja 256 Kbps:n välille. Korkealaatuinen äänitys merkitsee suurempia tiedostoja.

1. Aseta toimintovalitsin (10) asentoon **PHONO**.
2. Paina kaukosäätimen [INFO]-painiketta. Näytöllä näkyy valittu äänityksen laatu.
3. Valitse äänityksen laatu näppäimillä **I◀◀** ja **▶▶I**. Vahvista valinta painamalla [INFO].

Tiedostojen poisto

Yksittäisen tiedoston poisto

1. Aseta toimintovalitsin (10) tilaan **CD/USB/SD** ja valitse **USB** tai **SD** [SOURCE]-painikkeella.
2. Paina kaukosäätimen [INFO]-painiketta 3 sekunnin ajan. Näytöllä lukee "DEL ---001".
3. Selaa tiedostoja painikkeella **I◀◀** ja **▶▶I**.
4. Valitse poistettava tiedosto painamalla [REC]. Näytöllä lukee "YES NO".
5. Valitse YES tai NO painamalla **I◀◀** tai **▶▶I**. Vahvista valinta painamalla [REC].

Kaikkien tiedostojen poisto

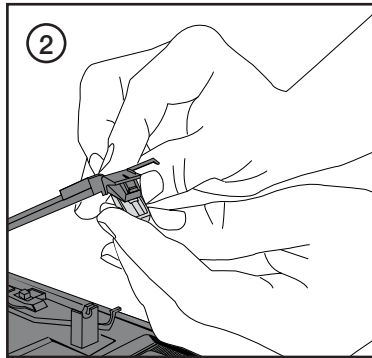
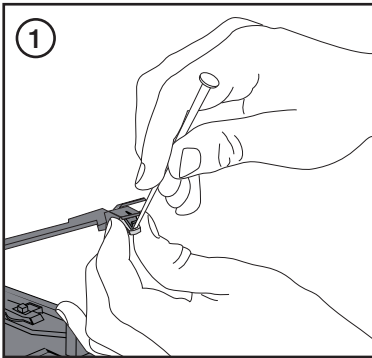
1. Aseta toimintovalitsin (10) tilaan **CD/USB/SD** ja valitse **USB** tai **SD** [SOURCE]-painikkeella.
2. Paina kaukosäätimen [INFO]-painiketta 3 sekunnin ajan. Näytöllä lukee "DEL ---001".
3. Paina kaukosäätimen [INFO]-painiketta pitkään uudestaan. Näytöllä lukee: "FORMAT? Y/N".
4. Valitse YES tai NO painamalla **I◀◀** tai **▶▶I**. Vahvista valinta painamalla [REC].

Huolto ja ylläpito

Irrota pistoke pistorasiasta ja pyyhi laite pehmeällä liinalla. Lisää liinaan tarvittaessa mietoa puhdistusainetta. Älä käytä voimakkaita puhdistusaineita tai liuottimia.

Neulan vaihtaminen

1. Pidä toisella kädellä äänipäästä ja työnnä pieni ruuvitaltta etureunasta äänipään ja neulan väliin. Taivuta ruuvitalttaa varovasti taaksepäin, kunnes neula irtoaa (ks. kuva).
2. Aseta uusi neula työntämällä se ensin kiinni takareunaan. Paina se sitten kiinni etureunasta.



Kierrätys

Kierrätä tuote asianmukaisesti, kun poistat sen käytöstä. Kysy tarkempia kierrätysohjeita kuntasi jäteneuvonnasta.

Tekniset tiedot

Virtalähde	230 V AC, 50 Hz
Kaukosäätimen paristot	2 x AAA/R03
Kierr./min, levysoitin	33/45 kierr./min
Laitteen mitat	305 x 415 x 375 mm
Kaiutinten mitat	200 x 360 x 195 mm

Sverige

Kundtjänst Tel: 0247/445 00
 Fax: 0247/445 09
 E-post: kundtjanst@clasohlson.se

Internet www.clasohlson.se

Post Clas Ohlson AB, 793 85 INSJÖN

Norge

Kundesenter Tlf.: 23 21 40 00
 Faks: 23 21 40 80
 E-post: kundesenter@clasohlson.no

Internett www.clasohlson.no

Post Clas Ohlson AS, Postboks 485 Sentrum, 0105 OSLO

Suomi

Asiakaspalvelu Puh: 020 111 2222
 Sähköposti: info@clasohlson.fi

Internet www.clasohlson.fi

Osoite Clas Ohlson Oy, Annankatu 34–36 A, 00100 HELSINKI

Great Britain

 For consumer contact, please visit
 www.clasohlson.co.uk and click on
 customer service.

Internet www.clasohlson.co.uk

clas ohlson