

18-3597 • 40-9901

Cocraft®

**RANDOM ORBITAL
POLISHER 720 W**

HPV 720

21 MM ECCENTRIC ORBITAL MOTION

POLERMASKIN
KIILLOTUSKONE

POLERMASKIN
POLIERER



Important!

Read the entire instruction manual carefully and make sure that you fully understand it before you use the equipment. Keep the manual for future reference.

Viktig information:

Läs hela bruksanvisningen noggrant och försäkra dig om att du har förstått den innan du använder utrustningen. Spara bruksanvisningen för framtida bruk.

Viktig informasjon:

Les disse anvisningene nøye og forsikre deg om at du forstår dem, før du tar produktet i bruk. Ta vare på anvisningene for senere bruk.

Tärkeää tietoa:

Lue nämä ohjeet huolellisesti ja varmista että olet ymmärtänyt ne, ennen kuin alat käyttää laitetta. Säilytä ohjeet myöhempää tarvetta varten.

Wichtiger Hinweis:

Vor Inbetriebnahme die komplette Bedienungsanleitung sorgfältig durchlesen und aufbewahren.



Art.no	Model
18-3597	R7171
40-9901	R7171

Ver. 20151106
Original instructions
Bruksanvisning i original
Original bruksanvisning
Alkuperäinen käyttöohje
Original Bedienungsanleitung

ENGLISH

SVENSKA

NORSK

SUOMI

DEUTSCH

Random Orbital Polisher

Art.no 18-3597 Model R7171
40-9901 R7171

Please read the entire instruction manual before using the product and then save it for future reference. We reserve the right for any errors in text or images and any necessary changes made to technical data. In the event of technical problems or other queries, please contact our Customer Services (see address details on the back).

Safety

General safety instructions for power tools

Warning: Read all the instructions.

Failure to adhere to the following instructions may lead to electric shocks, fires and/or serious injury.

SAVE THESE INSTRUCTIONS.

The term “power tool” in the following text refers to your handheld mains operated or battery operated tool.

1) Work area safety

- a) **Keep the work area clean and well illuminated.** Cluttered and poorly lit areas invite accidents.
- b) **Do not use power tools in explosive environments, such as in the presence of flammable liquids, gases or dust.** Power tools create sparks which may ignite dust or fumes.
- c) **Keep children and other bystanders away from the area where you are using the power tool.** Distractions can cause you to lose your concentration and control.

2) Electrical safety

- a) **The plug of the power tool must fit correctly into the wall socket. Never modify the plug in any way. Never use an adaptor plug together with earthed power tools.** Unmodified plugs and matching outlets will reduce the risk of electric shocks.
- b) **Avoid physical contact with earthed objects such as pipes, radiators, ovens and refrigerators.** There is an increased risk of electric shock if your body is earthed.
- c) **Do not expose the power tool to rain or other wet conditions.** Water entering a power tool will increase the risk of electric shock.
- d) **Do not abuse the mains lead. Never use the lead for carrying, pulling or unplugging the power tool. Keep the lead away from heat, oil, sharp edges and moving parts.** Damaged or tangled leads increase the risk of electric shock.

- e) **When using power tools outdoors, use an extension lead that is suitable for this purpose.** The use of an extension lead designed for outdoor use decreases the risk of electric shocks.
- f) **If the use of the power tool in a wet environment is unavoidable, a wall socket equipped with a portable residual current device (PRCD) should be used.** Use of an RCD significantly reduces the risk of electric shock.

3) *Personal safety*

- a) **Pay attention to what you are doing and use common sense when using power tools. Never use power tools if you are tired or under the influence of drugs, alcohol or medication.** One moment of inattention while using a power tool may result in a serious injury.
- b) **Wear protective clothing. Always wear safety glasses.** Using protective clothing such as dust masks, non-slip safety shoes, helmets and ear defenders decreases the risk of injury.
- c) **Avoid accidental starts. Make sure that the power switch is set to OFF before plugging the power tool into a wall socket, fitting the battery or picking up/carrying the power tool.** Never carry a power tool with your finger on the trigger and never connect the power tool to a wall socket when the switch is set to ON, since it may result in injury.
- d) **Remove all service tools/keys before switching on the power tool.** A service tool left on a rotating part of the power tool may result in personal injury.
- e) **Do not overreach. Keep proper footing and balance at all times.** This enables better control of the power tool in unexpected situations.
- f) **Wear suitable clothing. Do not wear loose-fitting clothing or jewellery. Keep hair, clothes and gloves away from moving parts.** Loose-fitting clothes, jewellery or long hair could become caught in moving parts.
- g) **If equipment for the extraction and collection of dust is available, make sure it is connected and used properly.** Use of dust collection equipment can reduce dust related hazards.

4) *Use and maintenance of the power tool*

- a) **Do not force the power tool. Use the correct power tool for your application.** The correct power tool will do the job better and safer if used at the rate for which it was designed.
- b) **Never use the power tool if the power switch does not switch the tool on and off properly.** Any power tool that cannot be controlled by the power switch is dangerous and must be repaired.
- c) **Unplug the lead from the wall socket or remove the battery before making any adjustments, changing accessories or storing the power tool.** These precautions reduce the risk of the power tool starting unexpectedly.
- d) **Store power tools that are not being used out of children's reach. Do not allow people who are unfamiliar with the tool or these instructions to operate the tool.** Power tools are dangerous in the hands of untrained users.

- e) **Properly maintain your power tools. Check for misalignment, binding of moving parts, broken parts or anything else which might affect the operation of the power tool. If any damage is noticed, have the power tool repaired before using.** Many accidents are caused by poorly maintained power tools.
- f) **Keep cutting tools sharp and clean.** Properly maintained cutting tools with sharp cutting edges are less likely to bind and are easier to control.
- g) **Use the power tool, and any accessories in accordance with these instructions, take into consideration the working conditions and the work that is to be performed.** Use of the power tool for a purpose other than that for which it is intended could result in a dangerous situation.

5) Service

- a) **Repairs and service should only be performed by qualified tradesmen, and only with original spare parts.** This guarantees that the safety of the power tool is maintained.

Product safety symbols



Wear ear protection.



Read the entire instruction manual.



Wear eye protection.

Specific safety precautions for polishing

- Polishing bonnets with drawstrings are not recommended, but if you are using one: Do not allow the polishing bonnet or its drawstring to hang loose when operating the polisher. Tuck in or trim off any loose ends. Loose and spinning attachment strings can entangle your fingers or snag on the workpiece.
 - This angle polisher is only intended for dry polishing.
 - Only use the recommended parts and/or accessories.
 - The angle polisher must not be used by persons under the age of 16 years.
 - The angle polisher must not be used on materials containing asbestos.
- a) **This power tool is solely intended for the purpose of polishing. Read all safety warnings, instructions, illustrations, and specifications provided with this tool.** *Failure to adhere to all of the following instructions can result in electric shock, fire and/or serious injury.*
 - b) **Operations such as grinding, sanding, wire brushing or cutting-off are not recommended to be performed with this power tool.** *The use of this power tool to perform tasks for which the tool was not intended, can lead to danger and personal injury.*
 - c) **Never use accessories which are not designed for use with this type of tool and which are not recommended by the manufacturer.** *Even if the accessory can be attached to your power tool, there is no guarantee that it can be used safely.*
 - d) **The rated speed of the accessory must at least correspond to the maximum rated speed of the power tool.** *Accessories which rotate faster than their rated speed can break and shatter.*
 - e) **The outer diameter and thickness of the accessory must be within the marked capacity of your electric hand tool.** *If an accessory is the wrong size, it will not fit the guard and will not be able to be controlled properly.*
 - f) **Do not use a defective accessory. Inspect the accessory and make sure there are no splits or cracks in the grinding wheels; cracks or wear and tear on the backing plates, loose or torn bristles on the steel brush wheels.** *If you drop your power tool or accessory, check for damage. If the accessory is damaged, use a new/undamaged accessory. After inspecting the tool and attaching an accessory, keep yourself and others outside of the power tool's danger zone and let it run at full speed for one minute. Damaged accessories will normally break during this test period.*
 - g) **Wear personal protective equipment. Depending on how you use the machine; use a visor/face protection or safety glasses. If necessary use a mask, ear protection, gloves, and apron/work clothing to protect you from small shards of metal or splinters from the work object.** *The eye protection you use must be able to protect against flying debris produced in different working positions. The breathing protection should be able to filter any particles produced by the work. Prolonged exposure to high levels of noise can result in hearing damage.*
 - h) **Keep children at a safe distance from the work area. Everyone at the workplace must wear personal protective equipment.** *Debris from the workpiece or from a damaged accessory can fly off and injure people outside of the immediate work area.*

- i) **Position the mains lead well away from the rotating accessory.** *If you lose control, the lead can be sliced through or become entangled and pull your hand or arm into the rotating accessory.*
- j) **Never put the power tool down before the accessory has completely stopped rotating.** *A rotating accessory can fasten on the work surface causing you to lose control of the tool.*
- k) **Never leave the power tool switched on while carrying it at your side.** *Accidental contact with the rotating accessory could snag your clothing, pulling the accessory into your body.*
- l) **Clean the ventilation ports of the motor regularly.** *The fan of the motor draws dust into the housing. A large build-up of metal dust particles can lead to electrical hazards.*
- m) **Do not use the power tool near flammable material.** *Sparks can easily ignite flammable material.*
- n) **Do not use accessories, which require liquid coolants.** *The use of water or other liquid coolants can result in electrocution or shock.*

Kickback and related warnings

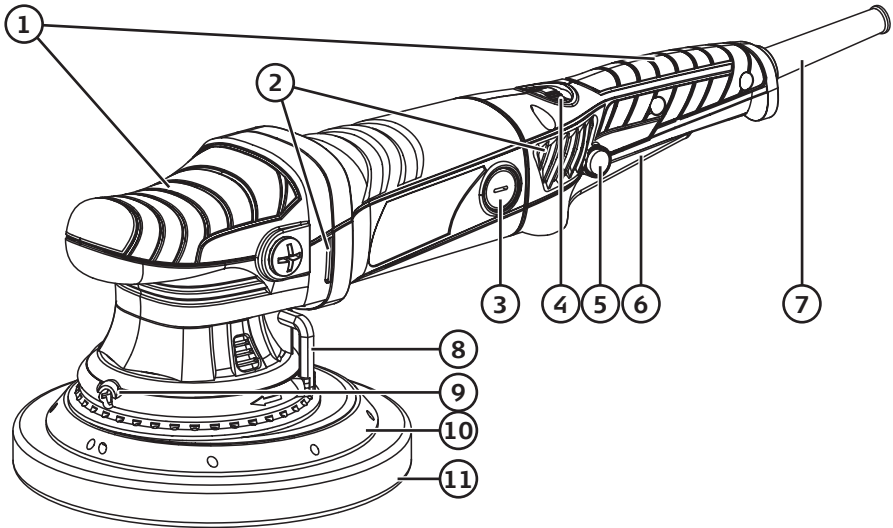
- Kickback is a sudden reaction to a wedged or stuck wheel, backing plate, brush, or some other accessory. Pinching or snagging causes rapid stalling of the rotating accessory which in turn results in the power tool thrusting violently in the opposite direction of the accessory's rotation at the point of binding.
 - Kickbacks are the result of the power tool being used in an incorrect manner, on incorrect objects, or under incorrect conditions and can be avoided by observing the following precautions.
- a) **Hold the power tool firmly and position your arms and body so that you can resist kickback forces. Always use the auxiliary handle if there is one, for maximum control over kickback or torque reaction during start-up.** *The operator can control torque reactions or kickback forces, if proper precautions are taken.*
 - b) **Never place your hand near the rotating accessory.** *The accessory can be thrown back onto your hand.*
 - c) **Do not stand in the area, where the power tool is likely to end up if a kickback were to occur.** *Kickback will propel the tool in the opposite direction to the wheel's rotation at the point of snagging.*

Outdoor use

- If the polisher is used outdoors, it is recommended that it is plugged into a socket protected by a residual current device (RCD). The RCD should be rated to trip at a current of 30 mA.
- Only use cables and connectors designed for outdoor use.

Description

The polisher is intended to be used with a 160 mm hook and loop attachment polishing sponge/buffing wheel.



1. Front/Rear handle
2. Ventilation ports
3. Carbon brush cover
4. Speed regulator
5. Trigger lock button
6. Power trigger
7. Power lead with plug
8. Allen key
9. Hole for Allen key used for balancing the spindle
10. Backing pad Ø 145 mm
11. Polishing sponge/buffing wheel Ø 160 mm (sold separately)

Before use

- Make sure that the polishing wheel is securely fastened to the spindle.
- Make sure that the polishing wheel can be turned by hand.

Operating instructions

Starting /Stopping

- Always hold the polisher in both hands and start and stop the polisher only when the polishing sponge is resting on the surface to be polished.
- Always start polishing on the lowest speed by setting the regulator (4) to **MIN** before pressing the trigger (6). Press in the trigger lock button (5) if you want the polisher to keep running all the time.
- Switch the polisher off by pressing in the front of the power trigger (6) and then releasing it.

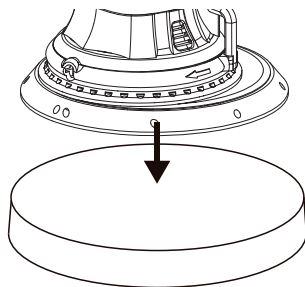
Variable speed control

Set the desired speed, from **MIN** to **6** (max), using the regulator (4). Always begin on the lowest speed (**MIN**) and increase during operation for the best results. If you are unsure, it is a good idea to test the polisher at different speeds on a test surface before starting work.

Changing polishing sponge/ buffing pad

The various accessories which can be used with the polisher are all referred to as polishing sponge below.

1. Unplug the polisher and remove the polishing sponge (11) from the backing pad (10).
2. The polishing sponge should be centred on the backing pad. This is easiest to achieve by holding the polishing sponge underneath and pressing the backing pad onto it from above. If the polishing sponge is fitted in this way, it is easy to make sure that it is centred, i.e., that it protrudes equally all the way round the edge of the backing pad.



Vibration level

The polisher normally vibrates during use due to its oscillating action.

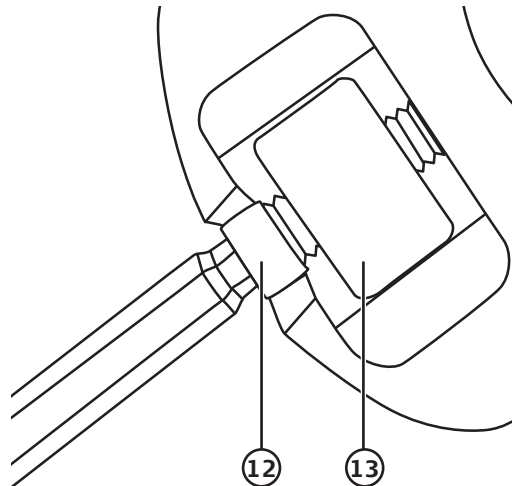
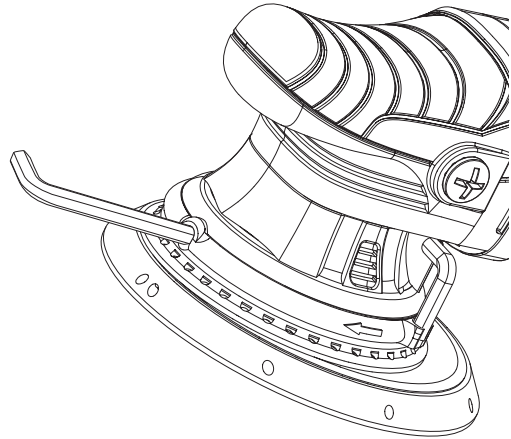
If the polisher vibrates a great deal, check that the polishing sponge is centred on the backing pad. You could also try adjusting the speed until the polisher vibrates less. There is also a way of balancing the backing pad in relation to the weight of the polishing sponge (see the next section).

Balancing the backing pad in case of abnormal vibrations

- The backing pad is factory-balanced for a polishing sponge of the recommended dimensions.
- This factory-balancing is suitable for most polishing sponges with equivalent dimensions and normally no adjustment is necessary.
- However, if abnormally heavy vibrations are experienced when using a polishing sponge of another size, the backing pad can be balanced by moving a counterweight on the spindle.
- The counterbalance can only be used to compensate for weight differences up to 20 g from the recommended polishing sponge weight.

The counterweight is adjusted using the included Allen key.

1. Push the backing pad inwards (towards the power trigger) so that the adjusting screw (12) is lined up with the hole (9).
2. Insert the included Allen key (8) through the hole (9) and into the adjusting screw (12). Turning the adjusting screw, moves a small counterweight (13) in/out to compensate for the change in weight of the polishing sponge used.
 - Turn the Allen key clockwise if the new polishing sponge is heavier than the preceding sponge.
 - Turn the Allen key anticlockwise if the new polishing sponge is lighter than the preceding sponge.



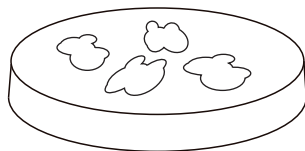
The picture shows how to balance the backing pad.

12. Adjusting screw for balancing the backing pad.
13. Counterweight for balancing the backing pad.

Polishing

The various polishing products such as rubbing compound, finish cleaner, wax, polish are all referred to below as polishing compound.

- There are several types of polishing compound which can be used, but this angle polisher is designed for use with liquid polishing compound.
 - Always read the instructions accompanying the polishing compound to ensure that it is suitable for use with a polishing machine.
1. Unplug the polisher and fit a polishing sponge onto the backing pad. Only use clean and undamaged polishing sponges and change them if you change the type of polishing compound. Most polishing sponges are washable, so all you need to do is have a few of them so you can wash them and reuse them.
 2. Apply the polishing compound to the polishing sponge. Begin by applying a small amount of polishing compound. Do NOT spread polishing compound onto the surface to be polished.



3. Place the mains lead of the polisher over your shoulder to keep it out of the way whilst polishing. Note: Hold the polisher in both hands so that the polishing sponge rests on the surface to be polished and begin polishing on the lowest speed setting. Move the polisher up and down over the surface to be polished applying a light pressure. Keep the polisher moving all the time as paint finishes can be ruined if polishers are left polishing one spot for too long.
 4. Intricate surfaces such as wing mirrors, door handles and grilles should be polished by hand.
- The most common mistake made when polishing is the use of too much polishing compound. Soaking the polishing sponge with polishing compound will make polishing more difficult and increase the polishing time. Using too much polish will shorten the useful life of the polishing sponge/pad.
 - If the polishing sponge detaches itself from the backing pad, you have probably used too much polishing compound.

Maintenance

- Disconnect the plug from the power source before making any adjustments or servicing.
- Always store the polisher with the backing pad facing up to prevent it from deforming.
- Remove the polishing sponge from the backing pad when you have finished work.
- Wash the polishing sponge by hand and let it air dry.
- Never use abrasive cleaning agents.
- Clean the exterior of the polisher using a cloth lightly moistened with water and a mild detergent.

- Do not use the polisher in the rain or if you have wet hands.
- Ensure that the ventilation openings are kept clear to prevent the motor from overheating.
- When working in dusty conditions: First disconnect the polisher from the mains supply and then clear the ventilation openings of any dust.

Responsible disposal

This symbol indicates that this product should not be disposed of with general household waste. This applies throughout the entire EU. In order to prevent any harm to the environment or health hazards caused by incorrect waste disposal, the product must be handed in for recycling so that the material can be disposed of in a responsible manner.

When recycling your product, take it to your local collection facility or contact the place of purchase. They will ensure that the product is disposed of in an environmentally sound manner.



Technical specifications

Voltage	220–240 V AC, 50 Hz
Wattage	720 W
No-load speed	Variable speed control: 2100–5000 rpm (no-load)
Action	21 mm orbital motion
Backing pad	Ø 145 mm hook-and-loop
Polishing sponge	Recommended diameter: 160 mm
Sound pressure (LpA)	85 dB(A), K: 3 dB
Sound power (LwA)	96 dB(A), K: 3 dB
Vibration level	5.56 m/s ²
Weight	2.8 kg
Protection class	II

Polermaskin

Art.nr 18-3597 Modell R7171
40-9901 R7171

Läs igenom hela bruksanvisningen före användning och spara den sedan för framtida bruk. Vi reserverar oss för ev. text- och bildfel samt ändringar av tekniska data. Vid tekniska problem eller andra frågor, kontakta vår kundtjänst (se adressuppgifter på baksidan).

Säkerhet

Generella säkerhetsinstruktioner för elektriska handverktyg

Varning! Läs alla instruktioner.

Om nedanstående instruktioner inte följs kan detta leda till elektrisk stöt, brand och allvarlig skada.

SPARA DESSA INSTRUKTIONER.

Termen "elektriskt handverktyg" i varningstexten nedan refererar till ditt nätanslutna eller batteridrivna handverktyg.

1) Arbetsutrymmet

- a) **Håll arbetsutrymmet rent och väl upplyst.** Belamrade och mörka utrymmen inbjuder till olyckor.
- b) **Använd inte elektriska handverktyg i explosiva miljöer, som i närheten av lätt-antändliga vätskor, gaser eller damm.** Elektriska handverktyg genererar gnistor som kan antända damm eller ångor.
- c) **Håll undan barn och åskådare medan du använder det elektriska handverktyget.** Störningsmoment kan göra att du tappar kontrollen.

2) Elektrisk säkerhet

- a) **Det elektriska handverktygets stickpropp måste passa i vägguttaget. Modifiera aldrig stickproppen på något vis. Använd aldrig adapter tillsammans med jordade elektriska handverktyg.** Omodifierade stickproppar och passande vägguttag minskar risken för elektrisk stöt.
- b) **Undvik kroppskontakt med jordade föremål, t.ex. rör, element, köksspis och kylskåp.** Det innebär ökad risk för elektrisk stöt om din kropp är jordad.
- c) **Utsätt inte det elektriska handverktyget för regn eller våta förhållanden.** Om vatten tränger in i ett elektriskt handverktyg ökar det risken för elektrisk stöt.
- d) **Misshandla inte nätsladden. Använd aldrig nätsladden för att bära, dra eller rycka stickproppen ur vägguttaget. Håll nätsladden undan från värme, olja, vassa kanter och rörliga delar.** Skadade eller trassliga nätsladdar ökar risken för elektrisk stöt.

- e) När du använder ett elektriskt handverktyg utomhus, använd en skarvsladd anpassad för detta ändamål. Användning av en skarvsladd för utomhusbruk minskar risken för elektrisk stöt.
- f) Om det inte går att undvika att det elektriska handverktyget används i fuktig miljö, använd ett vägguttag utrustat med jordfelsbrytare. Användning av jordfelsbrytare minskar risken för elektrisk stöt.

3) Personlig säkerhet

- a) Var uppmärksam på vad du gör och använd sunt förnuft när du använder ett elektriskt handverktyg. Använd inte ett elektriskt handverktyg om du är trött eller påverkad av droger, alkohol eller medicinering. Ett ögonblicks ouppmärksamhet när du använder ett elektriskt handverktyg kan resultera i allvarlig personskada.
- b) Använd skyddsutrustning. Bär alltid skyddsglasögon. Att vid behov använda skyddsutrustning, t.ex. andningsskydd, halssäkra skyddsskor, hjälm och hörsel-skydd minskar risken för personskada.
- c) Undvik oavsiktlig start. Se till att strömbrytaren är i läge OFF innan du ansluter stickproppen till vägguttaget, ansluter batteriet eller lyfter upp/bär det elektriska handverktyget. Att bära ett elektriskt handverktyg med ett finger på strömbrytaren/avtryckaren eller att ansluta ett elektriskt handverktyg till elnätet när strömbrytaren är i läge ON inbjuder till olyckor.
- d) Ta bort alla serviceverktyg/nycklar innan du slår på det elektriska handverktyget. Ett kvarglömt serviceverktyg på en roterande del av det elektriska handverktyget kan resultera i personskada.
- e) Sträck dig inte för långt. Se till att du står stadigt med god balans hela tiden. Detta möjliggör bättre kontroll över det elektriska handverktyget i oväntade situationer.
- f) Bär lämplig klädsel. Bär inte löst sittande kläder eller smycken. Håll hår, kläder och handskar undan från rörliga delar. Lösa kläder, smycken och långt hår kan fastna i rörliga delar.
- g) Om utrustning för utsugning och uppsamling av damm finns tillgänglig, se till att denna är ansluten och används på ett korrekt sätt. Användning av dessa hjälpmedel kan minska dammrelaterade faror.

4) Användning och underhåll av det elektriska handverktyget

- a) Pressa inte det elektriska handverktyget. Använd ett elektriskt handverktyg som är avsett för det arbetsmoment du utför. Korrekt elektriskt handverktyg gör jobbet bättre och säkrare med avsedd matningshastighet.
- b) Använd inte det elektriska handverktyget om strömbrytaren inte slår på och stänger av verktyget. Alla elektriska handverktyg som inte kan kontrolleras med strömbrytaren är farliga och måste repareras.

- c) **Ta stickproppen ur vägguttaget eller ta ur batteriet innan du utför några justeringar, byter tillbehör eller lägger undan det elektriska handverktyget för förvaring.** Dessa förebyggande skyddsåtgärder minskar risken för att starta det elektriska handverktyget oavsiktligt.
- d) **Förvara elektriska handverktyg som inte används utom räckhåll för barn och låt inte personer som inte är förtrogna med det elektriska handverktyget eller dessa instruktioner använda det.** Elektriska handverktyg är farliga om de kommer i händerna på ovana användare.
- e) **Underhåll elektriska handverktyg. Kontrollera om något är felinställt, om rörliga delar kärvar, om delar har gått sönder eller om något annat har inträffat som kan påverka funktionen hos det elektriska handverktyget. Om något är skadat måste det repareras före användning.** Många olyckor beror på dåligt underhållna elektriska handverktyg.
- f) **Håll skärverktyg vassa och rena.** Ordentligt underhållna skärverktyg med vassa eggar är mindre benägna att kärva och lättare att kontrollera.
- g) **Använd det elektriska handverktyget, tillbehör etc. enligt dessa instruktioner, ta hänsyn till arbetsförhållanden och till det arbete som ska utföras.** Användning av det elektriska handverktyget för arbeten andra än vad det är ämnat för kan resultera i en farlig situation.

5) Service

- a) **Låt behörig personal utföra service och reparationer, och endast med originalreservdelar.** Detta garanterar att säkerheten på det elektriska handverktyget behålls.

Produktmärkning med säkerhetssymboler



Använd hörselskydd!



Läs hela bruksanvisningen!



Använd skyddsglasögon!

Säkerhetsvarningar speciellt för polering

- Polerhåttor med fästsnöre rekommenderas ej, men om sådan ändå används: Låt inte polerhåttan eller dess fästsnören hänga löst när du kör polermaskinen. Stoppa in snörena under polerhåttan eller klipp bort lösa ändar. Lösa roterande fästsnören kan fastna i dina fingrar eller på arbetsstycket.
 - Polermaskinen är endast avsedd för torr polering.
 - Använd endast rekommenderade tillbehör.
 - Polermaskinen får inte användas av personer yngre än 16 år.
 - Polermaskinen får inte användas på material som innehåller asbest.
- a) **Detta elektriska handverktyg är avsett för polering. Läs alla säkerhetsvarningar, instruktioner, illustrationer och specifikationer som medföljer detta verktyg.** *Underlåtelse att följa alla instruktioner nedan kan resultera i elektrisk stöt, brand och allvarlig skada.*
 - b) **Slipning, putsning, borstning och kapning rekommenderas inte att utföras med detta elektriska handverktyg.** *Att utföra arbeten som detta verktyg inte är avsett för kan orsaka fara och leda till personlig skada.*
 - c) **Använd aldrig tillbehör som inte är speciellt avsedda och rekommenderade av verktygstillverkaren.** *Även om tillbehöret kan monteras på ditt elektriska handverktyg är det ingen försäkran om säker användning.*
 - d) **Märkhastigheten på tillbehöret måste minst motsvara den maximala hastigheten märkt på det elektriska handverktyget.** *Tillbehör som roterar snabbare än märkhastigheten kan gå sönder och falla isär.*
 - e) **Ytterdiametern och tjockleken på tillbehöret måste vara inom märkkapaciteten på ditt elektriska handverktyg.** *Fel storlek på tillbehören kan göra att handverktyget inte fungerar på rätt sätt och att det blir svårt att använda.*
 - f) **Använd inte ett skadat tillbehör. Inspektera tillbehören och se om det finns flisor eller sprickor på slipskivorna, sprickor, nötningar eller slitage på stöd-rondellen, lösa eller trasiga borst på stålborstrondellerna. Om du tappar ditt elektriska handverktyg eller ett tillbehör, kontrollera om det finns skador eller montera ett oskadat tillbehör. Efter inspektion och montering av ett tillbehör, placera dig själv och ev. åskådare utanför maskinens riskområde och kör det elektriska handverktyget på fullt varvtal i en minut. Skadade tillbehör går normalt sönder under testperioden.**
 - g) **Bär personlig skyddsutrustning. Beroende på hur du använder maskinen, använd ansiktsskydd eller skyddsglasögon. Vid behov, använd ansiktsmask, hörselskydd, handskar och arbetsförkläde som skyddar mot små slippartiklar eller flisor från arbetsstycket. Ögonskyddet ska kunna skydda mot kringflygande skräp som bildas vid olika arbetsmoment. Andningsskyddet ska kunna filtrera partiklar som bildas vid arbetet. Långvarig vistelse i buller kan orsaka hörselskador.**
 - h) **Håll åskådare på behörigt avstånd från arbetsplatsen. Alla som besöker arbetsplatsen måste bära personlig skyddsutrustning. Flisor från arbetsstycket eller från ett trasigt tillbehör kan flyga iväg och orsaka skada utanför arbetets omedelbara närområde.**

- i) **Placera nätkabeln på avstånd från det roterande tillbehöret.** *Om du förlorar kontrollen kan sladden kapas eller fastna och din hand eller arm kan dras in i det roterande tillbehöret.*
- j) **Lägg aldrig ifrån dig det elektriska handverktyget förrän tillbehöret har stannat helt.** *Det roterande tillbehöret kan fastna i underlaget vilket i sin tur leder till att du tappar kontrollen.*
- k) **Ha aldrig det elektriska handverktyget påslaget när du förflyttar dig.** *Oavsiktlig kontakt med det roterande tillbehöret kan göra att det fastnar i dina kläder och därmed dras mot kroppen.*
- l) **Rengör regelbundet motorns ventilationsöppningar.** *Motorns fläkt drar åt sig damm som kommer in under höljet. Om stora mängder metallspån ansamlas kan detta leda till elektriska faror.*
- m) **Använd inte det elektriska handverktyget i närheten av lättantändliga material.** *Gnistor kan antända dessa material.*
- n) **Använd inte tillbehör som kräver kylvätskor.** *Användning av vatten eller andra kylvätskor kan resultera i elektrisk stöt och livsfara.*

Kast och tillhörande varningar

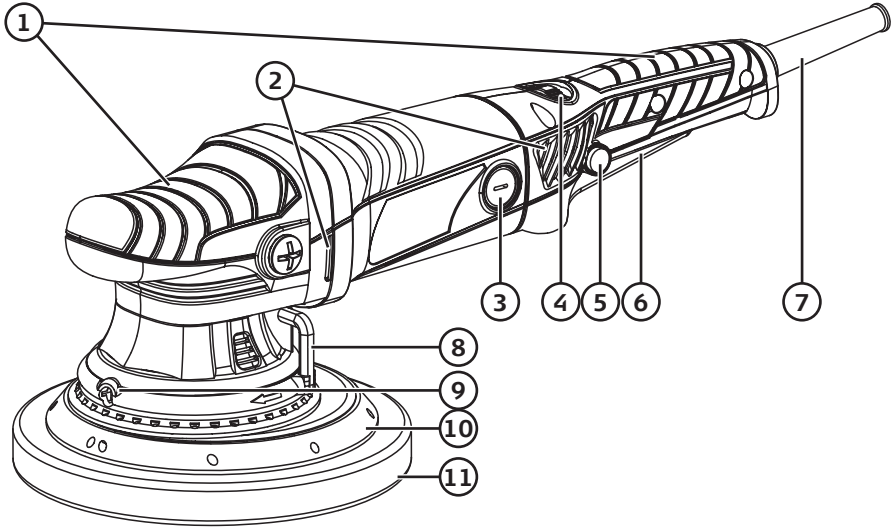
- Kast är en plötslig reaktion på en klämd eller fastkörd rondell, stödrondell, borste eller något annat tillbehör. Klämning eller fastkörning orsakar ett snabbt stopp av det roterande tillbehöret som i sin tur gör att det elektriska handverktyget tvingas i motsatt riktning mot tillbehörets rotationsriktning vid fastkörningstillfället.
 - Kast är ett resultat av att det elektriska handverktyget använts på fel sätt, för fel saker eller under felaktiga förhållanden och kan undvikas genom att nedanstående försiktighetsåtgärder vidtas.
- a) **Håll stadigt i det elektriska handverktyget och håll armarna och kroppen så att du kan parera kast.** **Använd alltid hjälphandtaget om sådant finns för maximal kontroll över kast eller reaktioner på vridmomentet vid start.** *Användaren kan kontrollera kast eller reaktioner på vridmomentet om nödvändiga försiktighetsåtgärder vidtas.*
 - b) **Placera aldrig din hand nära det roterande tillbehöret.** *Tillbehöret kan få ett kast över din hand.*
 - c) **Ställ dig inte i det område där det elektriska handverktyget kan tänkas hamna om det inträffar ett kast.** *Kast driver verktöget i motsatt riktning mot slipskivans rotationsriktning vid fastkörningspunkten.*

Användning utomhus

- Anslut maskinen till ett eluttag via en jordfelsbrytare för personskydd, speciellt vid användning utomhus. Jordfelsbrytaren ska bryta vid max felström 30 mA.
- Använd endast anslutningskablar och kopplingar som är avsedda för användning utomhus.

Beskrivning

Polermaskinen är avsedd för användning med 160 mm polersvamp/polertrissa med karborrefäste.



1. Främre/bakre handtag
2. Ventilationsöppningar
3. Lock över kolborste
4. Reglage för hastighetsinställning
5. Spärr för strömbrytaren
6. Strömbrytare On/Off
7. Nätsladd med stickkontakt
8. Insexnyckel
9. Hål för insexnyckel, används vid spindelbalansering
10. Polerdisk Ø 145 mm
11. Polersvamp/polertrissa Ø 160 mm (säljs separat)

Innan användning

- Kontrollera att polerdysken sitter ordentligt fast.
- Kontrollera att polerdysken kan vridas runt för hand.

Användning

Start/stopp

- Håll maskinen med båda händerna och slå på/stäng av den endast när polersvampen/polertrissan vilar på ytan som ska poleras.
- Starta alltid polermaskinen på det lägsta varvtalet genom att justera reglaget (4) till **MIN** och trycka in strömbrytaren (6). Tryck in spärren (5) för att låsa strömbrytaren om du vill att motorn ska gå hela tiden.
- Stäng av polermaskinen genom att trycka in framkanten på strömbrytaren (6) och släppa den.

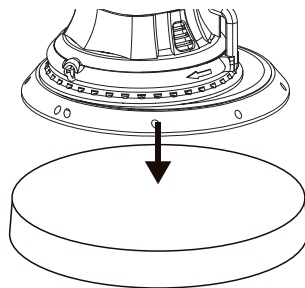
Inställbar hastighet

Ställ in önskad hastighet med reglaget (4), från **MIN** till **6** (max). Börja alltid med den lägsta hastigheten (**MIN**) och öka hastigheten under pågående arbete till bästa möjliga resultat. Är du osäker är det lämpligt att testa med olika hastigheter på en provyta innan arbetet påbörjas.

Byte av polersvamp/polertrissa

De olika tillbehören benämns nedan som polersvamp.

1. Dra ur stickproppen och ta bort polersvampen (11) från polerdysken (10).
2. Polersvampen ska monteras centrerad på polerdysken. Detta görs enklast genom att hålla polersvampen underst och trycka fast polerdysken uppifrån. Om polersvampen monteras på detta sätt är det lätt att se till att den blir centrerad, d.v.s. att den sticker ut lika långt på alla sidor om polerdysken.



Vibrationer

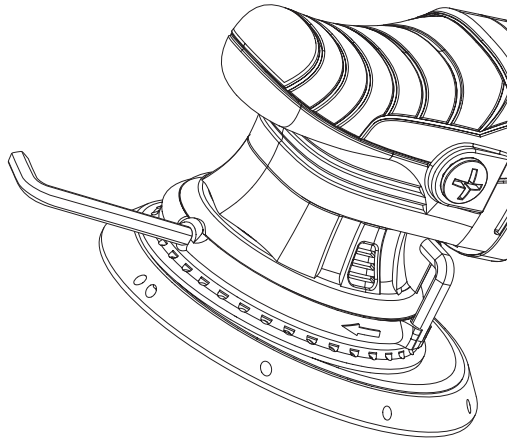
Polermaskinen vibrerar normalt en del vid användning p.g.a. sin oscillerande rörelse. Om polermaskinen vibrerar väldigt mycket, kontrollera först att polersvampen är centrerad på polerdysken. Prova också att justera varvtalet tills polermaskinen vibrerar mindre. Det finns också möjlighet att balansera polerdysken i förhållande till polersvampens vikt (se nästa avsnitt).

Balansering av polerdisk vid onormala vibrationer

- Polerdiskan är från fabrik balanserad för en polersvamp med rekommenderad dimension.
- Fabriksbalanseringen passar de flesta polersvampar med likvärdig dimension och balansering behöver normalt inte utföras.
- Om onormala vibrationer upplevs vid användning av annan storlek på polersvamp kan polerdiskan balanseras genom lägesjustering av motvikten på spindeln.
- Justermånen är upp till 20 g från vikt på rekommenderad polersvamp.

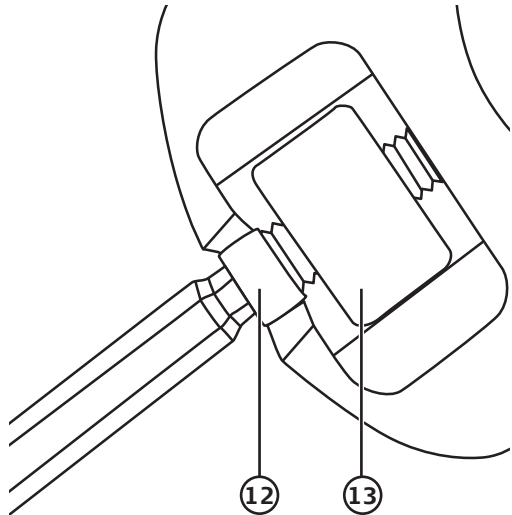
Motvikten justeras med den bifogade insexnyckeln.

1. Tryck polerdiskan inåt (mot strömbrytaren) så att justerskruven (12) är precis innanför hålet (9).
2. Tryck in den bifogade insexnyckeln (8) genom hålet (9) och in i justerskruven (12). Genom att vrida justeringen skruvas en liten vikt (13) inåt/utåt och kompenserar därmed polersvampens ändrade vikt.
 - Vrid insexnyckeln medurs om den nya polersvampen är tyngre än den föregående.
 - Vrid insexnyckeln moturs om den nya polersvampen är lättare än den föregående.



Bilden visar principen för finjustering vid balansering.

12. Justerskruv för balansering av polerdisk
13. Vikt för balansering av polerdisk



Polering

De olika produkterna rubbing, cleaner, vax, polish etc., benämns nedan som polermedel.

- Det finns olika typer av polermedel som kan användas, dock är denna polermaskin avsedd för flytande polermedel.
 - Läs alltid polermedlets bruksanvisning/information för att säkerställa att det är lämpligt för användning vid maskinpolering.
1. Dra ur stickproppen och montera polersvampen centrerat på polerdisken. Använd endast rena och hela polersvampar och byt dessa om du byter polermedel under poleringen. De flesta polersvampar är tvättbara så det är bra att ha flera polersvampar att tvätta och återanvända.
 2. Applicera polermedlet på polersvampen. Börja med lite polermedel. Stryk **INTE** polermedlet på ytan som ska poleras.



3. Lägg maskinens anslutningskabel över axeln så den inte är i vägen vid poleringen. **Obs!** Håll maskinen med båda händerna så att polersvampen vilar på ytan som ska poleras och starta på lägsta varvtal. För maskinen i vertikala och horisontella rörelser över ytan som poleras med ett lätt tryck på polermaskinen. Håll hela tiden maskinen i rörelse då lacken kan bli förstörd om den blir stående på samma område.
 4. Små detaljer som speglar, dörrhandtag, grill etc. poleras för hand.
- Det vanligaste misstaget vid polering är användning av för mycket polermedel. Om polersvampen blir indränkt med polermedel kan poleringen ta längre tid och vara svårare att genomföra. Polersvampen håller inte lika länge om du använder för mycket polermedel.
 - Om polersvampen lossnar från polerdisken har du troligen använt för mycket polermedel!

Underhåll

- Dra ur stickproppen före service och underhåll.
- Förvara alltid polermaskinen med polerdisken uppåt, då håller den sin form.
- Ta bort polersvampen från polerdisken när den inte används.
- Tvätta polersvampen för hand och låt den sedan lufttorka.
- Använd aldrig polermedel med slipande ämnen.
- Rengör maskinen utvändigt vid behov med en trasa som är svagt fuktad med vatten och diskmedel.
- Använd inte polermaskinen i regnväder eller om du är fuktig om händerna.
- Håll motorns ventilationsöppningar fria så att inte motorn överhettas.
- Om du utför dammande arbeten: Dra ur stickkontakten först och peta bort damm och avlagringar från ventilationsöppningarna.

Avfallshantering

Denna symbol innebär att produkten inte får kastas tillsammans med annat hushållsavfall. Detta gäller inom hela EU. För att förebygga eventuell skada på miljö och hälsa, orsakad av felaktig avfallshantering, ska produkten lämnas till återvinning så att materialet kan tas omhand på ett ansvarsfullt sätt. När du lämnar produkten till återvinning, använd dig av de returhanteringssystem som finns där du befinner dig eller kontakta inköpsstället. De kan se till att produkten tas om hand på ett för miljön tillfredställande sätt.



Tekniska specifikationer

Spänning	220–240V AC, 50 Hz
Effekt	720 W
Varvtal	Steglös varvtalsreglering 2100–5000 v/min (obelastad)
Rörelse	Oscillerande, radiell rörelse 21 mm
Polerdisk	Ø 145 mm med kardborrefäste
Polersvamp	Rekommenderad storlek Ø 160 mm
Ljudtryck (LpA)	85 dB(A), K: 3 dB
Ljudeffekt (LwA)	96 dB(A), K: 3 dB
Vibrationer	5,56 m/s ²
Vikt	2,8 kg
Skyddsklass	II

Polermaskin

Art.nr. 18-3597 Modell R7171
40-9901 R7171

Les brukerveiledningen grundig før produktet tas i bruk, og ta vare på den for framtidig bruk. Vi reserverer oss mot eventuelle feil i tekst og bilder, samt endringer av tekniske data. Ved tekniske problemer eller spørsmål, ta kontakt med vårt kundesenter. (Se opplysninger på baksiden).

Sikkerhet

Generelle sikkerhetsinstruksjoner for elektrisk håndverktøy

Advarsel! Les gjennom hele brukerveiledningen.

Hvis ikke veiledningene følges, kan dette føre til elektrisk støt, brann og/eller andre alvorlige skader.

TA VARE PÅ DENNE VEILEDNINGEN.

Med «elektrisk håndverktøy» i den følgende teksten menes verktøy som enten er koblet til strømmettet eller er batteridrevne.

1) Arbeidsplassen

- a) **Hold arbeidsplassen ren, ryddig og godt opplyst.** Rotete, dårlig opplyst arbeidsplass kan forårsake ulykker.
- b) **Ikke bruk elektriske håndverktøy i omgivelser med eksplosjonsfare, som for eksempel nær lettantennelige væsker, gasser eller støv.** Elektrisk håndverktøy kan danne gnister, som igjen kan antenne støv eller trespon.
- c) **Hold barn og andre tilskuere på god avstand når du bruker elektriske håndverktøy.** Forstyrrelser kan føre til at man mister kontrollen.

2) Elsikkerhet

- a) **Det elektriske håndverktøyets støpsel må passe i stikkkontakten. Støpselet må ikke endres på. Bruk aldri adapter sammen med elektrisk håndverktøy som krever jording.** Ved bruk av originale støpsler reduseres faren for elektrisk støt.
- b) **Unngå kroppskontakt med jordede gjenstander, som f.eks. rør, ovner, komfyrer og kjøleskap.** Kroppskontakt med disse øker faren for elektrisk støt.
- c) **Elektrisk håndverktøy må ikke utsettes for regn eller fuktighet.** Hvis det kommer vann inn i et elektrisk håndverktøy, øker faren for elektrisk støt.
- d) **Ledningen må ikke skades. Bær aldri verktøyet i strømledningen. Trekk heller ikke i strømledningen når støpselet skal tas ut av strømmuttaket. Hold ledningen unna varme, olje, skarpe kanter og bevegelige deler.** Skadede eller deformerte ledninger kan øke faren for elektrisk støt.

- e) **Når det skal brukes skjøteledning utendørs, må man kun bruke ledninger som er beregnet til utendørs bruk.** Når skjøteledning som er beregnet for utendørs bruk benyttes, reduseres faren for elektrisk støt.
- f) **Hvis håndverktøyet må brukes i fuktige omgivelser, må strømuttaket være utstyrt med jordfeilbryter.** Bruk av jordfeilbryter reduserer faren for elektrisk støt.

3) Personlig sikkerhet

- a) **Vær oppmerksom og bruk sunn fornuft ved bruk av elektrisk verktøy. Ikke bruk elektriske håndverktøy når du er trett eller påvirket av rusmidler, alkohol eller sterke medisiner.** Når du bruker elektrisk håndverktøy kan et lite øyeblikks uoppmerksomhet resultere i store personskader.
- b) **Bruk verneutstyr. Benytt alltid vernebriller.** Verneutstyr som støvmaske, vernesko med sklislire såler, hjelm og hørselsvern ved behov, reduserer faren for personskade.
- c) **Unngå uønsket start. Pass på at strømbryteren er innstilt på OFF før støpselet kobles til et strømuttak, kobler til batteriet eller løfter/bærer det elektriske håndverktøyet.** Det å bære et elektrisk håndverktøy med en finger på strømbryteren/avtrekkeren, eller å koble det til strømmettet når strømbryteren er innstilt på ON, kan føre til ulykker.
- d) **Fjern alle nøkler/serviceverktøy før det elektriske verktøyet startes.** Et gjenglemt serviceverktøy på en roterende del, kan forårsake personskader.
- e) **Strekk deg ikke for langt. Påse at du står stødig og har god balanse i kroppen under hele arbeidsoperasjonen.** Dette gjør at man har bedre kontroll over verktøyet i de fleste situasjoner.
- f) **Bruk fornuftige arbeidsklær. Ikke bruk løstsittende klær og smykker. Hold klær, hansker, smykker og annet løstsittende unna bevegelige deler.** Løstsittende klær, smykker eller langt hår, kan feste seg i bevegelige deler.
- g) **Hvis det er mulig å koble til en støvsamler/støvsuger, bør man gjøre det.** Ved bruk av slike hjelpemidler, kan en redusere faren for støvrelaterede skader og ulykker.

4) Bruk og vedlikehold av elektriske håndverktøy

- a) **Ikke press elektriske håndverktøy. Bruk elektriske håndverktøy som er beregnet til den arbeidsoperasjonen som skal utføres.** Riktig hastighet på matingen er viktig for å utføre bedre og sikrere arbeid.
- b) **Ikke bruk det elektriske håndverktøyet dersom det er feil på strømbryteren og den ikke kan brukes til å skru på/av verktøyet.** Alle elektriske håndverktøy, som ikke kan kontrolleres med en strømbryter, er farlige og må repareres.
- c) **Trekk støpselet ut av strømuttaket eller ta ut batteriet før du utfører justeringer, skifter tilbehør eller ikke lenger skal bruke verktøyet.** Dette for å unngå at elektrisk håndverktøy får en ukontrollert start.

- d) **Oppbevar elektrisk håndverktøy utilgjengelig for barn. Påse også at det er utilgjengelig for personer som ikke har fått nok opplæring i bruken av det.** Elektrisk håndverktøy kan være farlige dersom de kommer i hendene på ukyndige.
- e) **Vedlikehold av elektrisk håndverktøy. Kontroller at verktøyet ikke er feilinnstilt, at bevegelige deler ikke beveger seg usymmetrisk, at ingen deler er skadet eller at det elektriske håndverktøyet har andre feil som kan påvirke dets funksjon. Dersom noe er skadet må dette repareres før verktøyet tas i bruk.** Mange ulykker skyldes dårlig eller manglende vedlikehold.
- f) **Hold skjæreverktøyene skarpe og rene.** Påse også at det elektriske verktøyet holdes skarpt. Godt vedlikeholdt skjæreverktøy, med skarpe egger, er lettere å kontrollere.
- g) **Bruk håndverktøyet og tilbehøret som beskrevet i instruksjonene. Ta hensyn til arbeidsforholdene og det arbeidet som skal utføres.** Bruk av elektrisk håndverktøy til andre arbeidsoperasjoner enn det som det er beregnet til, kan skape farlige situasjoner.

5) Service

- a) **La profesjonelle fagpersoner utføre service og reparasjoner, og bruk kun originale reservedeler.** Dette for å opprettholde sikkerheten ved bruk av det elektriske håndverktøyet.

Produktmerking med sikkerhetssymboler



Bruk hørselsvern!



Les hele bruksanvisningen!



Bruk vernebriller!

Sikkerhetsadvarsler spesielt for polering

- Det anbefales ikke å bruke polerhetter med festesnøre, men hvis man skal bruke slike: La ikke polerhetten eller festesnøret henge løst når du kjører poleringsmaskinen. Dydd dem inn under polerhetten eller klippe bort løse festesnører. Løse roterende festesnører kan feste seg i dine fingre eller på arbeidsemnet.
 - Polermaskinen er kun beregnet til polering.
 - Bruk kun tilbehør som er anbefalt.
 - Maskinen må ikke brukes av personer under 16 år.
 - Maskinen må ikke brukes på materialer som inneholder asbest.
- a) **Dette er et elektrisk håndverktøy som er beregnet til polering. Les alle sikkerhetsadvarsler, instruksjoner, illustrasjoner og spesifikasjoner som følger med dette verktøyet.** *Hvis du unngår å følge alle instruksjonene nedenfor kan det resultere i elektrisk støt, brann og/eller alvorlige skader.*
 - b) **Arbeider som sliping, pussing, børsting og kapping anbefales ikke utført med dette verktøyet.** *Hvis verktøyet blir brukt til arbeid det ikke er konstruert for, kan dette føre til skade på personer.*
 - c) **Bruk ikke tilbehør som ikke er beregnet for verktøyet og anbefalt av verktøyprodusenten.** *Selv om tilbehøret kan monteres på ditt elektriske håndverktøy, er ikke dette noen forsikring om sikker bruk.*
 - d) **Hastigheten som tilbehøret er beregnet for må minst tilsvare den maksimale hastigheten den det elektriske håndverktøyet er merket med.** *Tilbehør som roterer raskere enn merkehastigheten kan gå i stykker.*
 - e) **Den utvendige diameteren og tykkelsen på tilbehøret må være innenfor merkekapasiteten på det elektriske håndverktøyet.** *Feil størrelse på tilbehøret kan ikke beskyttes eller kontrolleres ordentlig.*
 - f) **Bruk ikke tilbehør som er skadet. Kontroller tilbehøret og se om det finnes fliser eller sprekker på slipeskivene, sprekker, ujevnheter eller slitasje på støtterondellen, eller løse eller ødelagte bust på stålborsterondellene.** *Hvis du mister ditt elektriske håndverktøy eller noe av tilbehøret må det kontrolleres om det er blitt skadet. Dersom det er skadet så monter et uskadet tilbehør. Etter inspeksjon og montering av et tilbehør, plasser deg selv og tilskuere utenfor maskinens risikoområde, og kjør det elektriske håndverktøyet på fullt turtall i ett minutt. Skadet tilbehør går normalt i stykker under testperioden.*
 - g) **Benytt alltid personlig verneutstyr. Avhengig av hvordan du bruker maskinen, bruk beskyttelse for ansikt eller vernebriller. Ved behov, bruk ansiktsmaske, hørselsvern, hansker og arbeidsforkle, som beskytter mot små slipepartikler eller fliser fra arbeidsstykket.** *Beskyttelsen for øynene som benyttes, skal kunne beskytte mot flygende biter som dannes ved forskjellige arbeidsoperasjoner. Støvmasken skal kunne filtrere partikler, som dannes ved arbeidet. Langvarig opphold i støv kan forårsake hørselskader.*
 - h) **Hold tilskuere på sikker avstand fra arbeidsplassen. Alle andre personer som oppholder seg på arbeidsområdet må også bære personlig verneutstyr.** *Fliser fra arbeidsstykket eller fra ødelagte tilbehør, kan bli slynget ut og forårsake skade utenfor arbeidets umiddelbare nærrområde.*

- i) **Plasser ledningen på avstand fra det roterende tilbehøret.** Hvis du mister kontrollen kan ledningen kappes eller sette seg fast, og hånden eller armen din kan trekkes inn i det roterende tilbehøret.
- j) **Legg aldri ifra deg det elektriske håndverktøyet før tilbehøret har stoppet helt opp.** Det roterende tilbehøret kan feste seg i underlaget og føre til at du mister kontrollen på verktøyet.
- k) **Sørg for at det elektriske håndverktøyet alltid er skrudd av når du forflytter deg.** Det roterende verktøyet kan feste seg i klærne og trekkes mot kroppen.
- l) **Rengjør motorens ventilasjonsåpninger regelmessig.** Verktøyets vifte trekker til seg støv som havner under dekselet. Hvis det samler seg større mengder metallspån under dekselet kan dette føre til elektriske farer.
- m) **Bruk ikke det elektriske håndverktøyet i nærheten av lettantennelige materialer.** Gnister kan antenne disse materialene.
- n) **Bruk ikke tilbehør som krever kjølevæsker.** Bruken av vann eller andre kjølevæsker kan resultere i elektrisk støt og fare for liv.

Kast og advarsler om kast

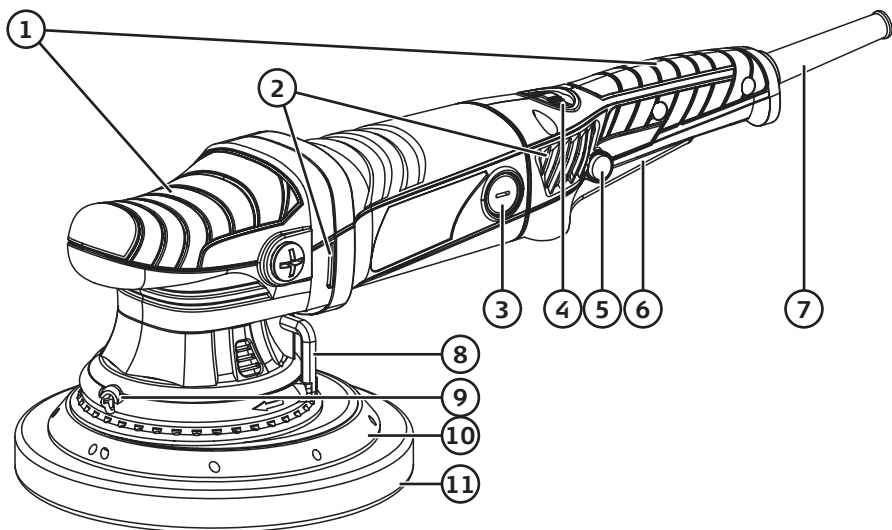
- Kast er en plutselig reaksjon på en klemt eller fastkjørt rondell, støtterondell, børste eller annet tilbehør. Klemming eller fastkjøring fører til bråstopp av det roterende tilbehøret, som igjen tvinger det elektriske håndverktøyet i å rotere motsatt retning av tilbehørets rotasjonsretning.
 - Kast er resultatet av at det elektriske håndverktøyet brukes feil, til feil formål eller under feil forhold. Dette kan unngås ved å ta visse forhåndsregler: Se nedenfor.
- a) **Hold godt fast i det elektriske håndverktøyet, og hold armene og kroppen slik at du kan parere kast. Bruk alltid hjelpéhåndtaket hvis dette finnes. Det sikrer maksimal kontroll over kast eller reaksjonene på dreiemomentet ved oppstart.** Brukeren kan kontrollere kast eller reaksjoner på dreiemomentet ved å ta nødvendige forhåndsregler.
 - b) **Plasser aldri hånden nær de roterende delene.** Tilbehøret kan få et kast over hånden.
 - c) **Still deg ikke i det området der det elektriske håndverktøyet kan tenkes å havne hvis et kast inntreffer.** Kast driver verktøyet i motsatt retning av tilbehørets rotasjonsretning ved fastkjøringspunktet.

Bruk utomhus

- Maskinen skal kobles til strømuttak via en jordfeilsbryter. Dette er spesielt viktig ved bruk utendørs. Jordfeilbryteren skal bryte strømmen ved en maks feilstrøm på 30 mA.
- Bruk kun skjoteledninger og koblinger som er beregnet til utendørs bruk.

Beskrivelse

Polermaskinen er beregnet for bruk med 160 mm polersvamp med borrelåsfeste.



1. Fremre/bakre håndtak
2. Ventilasjonsåpninger
3. Lokk over kullbørste
4. Bryter for innstilling av hastighet
5. Sperre for strømbryteren
6. Strømbryter (On/Off)
7. Strømledning med støpsel
8. Inseksnøkkel
9. Hull for justering av spindelbalanse
10. Polerskive Ø 145 mm
11. Polersvamp Ø 160 mm (selges separat)

Før bruk

- Kontroller at polerskiven sitter skikkelig godt fast.
- Kontroller at polerskiven kan dreies rundt for hånd.

Bruk

Start/stopp

- Hold maskinen med begge hender og skru på/av maskinen mens polersvampen hviler på flaten som skal poleres.
- Start alltid maskinen på det laveste turtallet ved å stille inn bryteren (4) på **MIN** og trykk inn strømbryteren (6). Trykk inn sperren (5) for å låse strømbryteren hvis du vil at motoren skal gå hele tiden.
- Skru av maskinen ved å trykk inn strømbryterens (6) framkant og slipp opp.

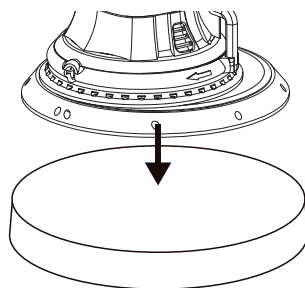
Justerbar hastighet

Still inn ønsket hastighet med bryteren (4), fra **MIN** til **6** (maks). Start alltid med den laveste hastigheten (**MIN**) og øk sakte mens du jobber. Dette gir det beste resultatet. Hvis du er usikker bør du teste ut forskjellige hastigheter på en prøveflate før du starter arbeidene.

Skifte av polersvamp

De forskjellige tilbehørene beskrives alle, nedenfor, som polersvamp.

1. Trekk ut støpselet, fjern polersvampen (11) fra sålen (10).
2. Polersvampen skal monteres sentrert på polersålen. Dette gjør man enklest ved å legge ned polersvampen på et underlag og trykke den fast til sålen (som vist på fig.). Hvis polersvampen monteres slik er det lett og se om det blir montert sentrisk, dvs. den stikker like langt ut rundt hele.



Vibrasjoner

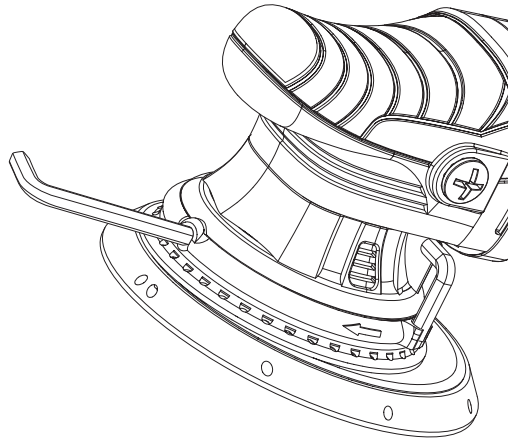
Det er vanlig at polermaskinen vibrerer ved bruk p.g.a. den oscillerende bevegelsen. Hvis maskinen vibrerer veldig mye bør man først kontrollere at polersvampen er sentrert på polerdissen. Forsøk også å regulere turtallet til maskinens vibrasjoner minker. Det er også mulig å balansere polerskiven i forhold til polersvampens vekt (se neste avsnitt).

Balansering av polerskiven ved unormale vibrasjoner

- Polerskiven er fra fabrikk ballansert for polersvamp med en bestemt, anbefalt dimensjon.
- Fabrikkbalanseringen passer til de fleste polersvamper med lik dimensjon og det er ikke vanlig at man må foreta en balansering.
- Men ved unormale vibrasjoner, f.eks. ved bruk av andre dimensjoner på polersvampen, kan det hende man må utføre en slik justering.
- Justeringsmuligheten er inntil 20 gram fra vekten på den anbefalte polersvampen.

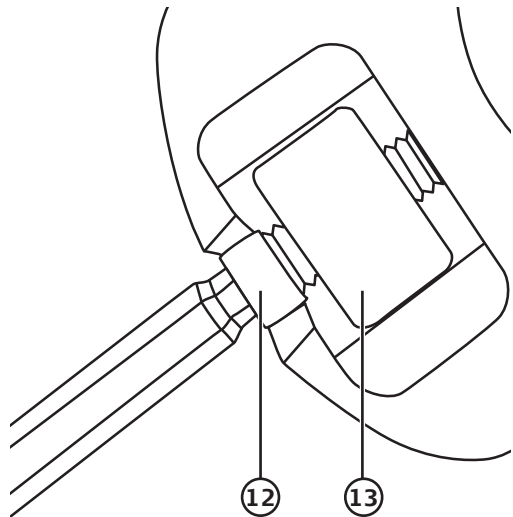
Motvekten justeres med den medfølgende insekssnøkkelen.

1. Trykk sålen innover (mot strømbryteren) slik at justerskruen (12) er rett innenfor hullet (9).
2. Stikk insekssnøkkelen inn gjennom hullet og til justerings-skruen. Ved å dreie justeringen, skru en liten vekt (13) innover/ utover og kompenserer for polersvamp med en annen vekt enn det som er anbefalt.
 - Drei nøkkelen medurs hvis den nye polersvampen er tyngre enn den foregående.
 - Drei nøkkelen moturs hvis den nye polersvampen er lettere enn den foregående.



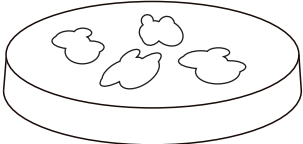
Bildet viser prinsippet for finjustering ved balansering.

12. Justerskrue for balansering av polerskive.
13. Vekt for balansering av polerskive.



Polering

Nedenfor vil vi beskrive alle midler, som rubbing, cleaner, voks, polish etc., som polermidler.

- Det er mange forskjellige polermidler, men denne maskinen er beregnet for flytende midler.
 - Les på polermiddelets bruksanvisning for å sikre at det passer å bruke til maskinpolering.
1. Trekk ut støpselet og monter polersvampen sentrert på sålen. Bruk kun rene og hele polersvamper, og skift dem ut hvis du skifter polermiddel under poleringen. De fleste polersvampene kan vaskes, så det kan være smart å ha flere svamper rene og klare til bruk.
 2. Polermiddelet påføres svampen. Ikke påfør for mye polermiddel ad gangen. Polermiddelet skal IKKE strykes ut på flaten som skal poleres.
- 
3. Legg maskinens ledning over skulderen så den ikke er i veien ved poleringen. **Obs!** Hold maskinen med begge hendene, så polersvampen hviler på flaten som skal poleres, og start på det laveste turtallet. Før maskinen i vertikale og horisontale bevegelser over flaten som skal poleres med et lett trykk på maskinen. Hold maskinen i bevegelse hele tiden. Lakken kan bli ødelagt hvis den blir stående på ett område.
 4. Smådetaljer som speil, dørhåndtak, grill etc. poleres for hånd.
- Den vanligste feilen ved polering er å bruke for mye voks eller polish. Hvis man bruker for mye voks vil poleringen ta lengre tid og være vanskelig å gjennomføre. Polersvampen blir fort oppbrukt hvis du bruker for mye poleringsmiddel av gangen.
 - Hvis svampen ikke vil sitte fast på polerskiven kan årsaken være at det er brukt for mye poleringsvoks.

Vedlikehold

- Trekk ut støpselet før service og vedlikehold.
- Maskinen bør oppbevares med polerskiven vendt oppover så den ikke blir deformert.
- Fjern polersvampen fra skiven.
- Vask polersvampen for hånd og la den lufttørke.
- Bruk aldri slipende rengjøringsmidler.
- Selve maskinen rengjøres ved behov med en lett fuktet klut og ev. et mildt rengjøringsmiddel.
- Maskinen skal ikke brukes i regnvær. Påse at du er tørr på hendene når du bruker den.
- Hold ventilasjonsåpningene åpne, så motoren ikke overopphetes.
- Hvis du utfører arbeidsoperasjoner som avgir mye støv trekk ut støpselet fra stikkkontakten og rengjør ventilasjonsåpninger for støv.

Avfallshåndtering

Symbolet viser til at produktet ikke skal kastes sammen med husholdningsavfallet. Dette gjelder i hele EØS-området. For å forebygge eventuelle skader på helse og miljø, som følge av feil håndtering av avfall, skal produktet leveres til gjenvinning, slik at materialet blir tatt hånd om på en ansvarsfull måte. Benytt miljøstasjonene som er der du befinner deg eller ta kontakt med forhandler. De kan se til at produktet blir behandlet på en tilfredsstillende måte som gagnar miljøet.



Tekniske spesifikasjoner

Spenning	220–240 V AC, 50 Hz
Effekt	720 W
Turtall	Trinnløst turtall 2100–5000 o/min (ubelastet)
Bevegelsene	Oscillerende, radiell bevegelse 21 mm
Polerskive	Ø 145 mm med borrelåsfeste
Polérsvamp	Anbefalt størrelse Ø 160 mm
Lydtrykk (LpA)	85 dB(A), K: 3 dB
Lydeffekt (LwA)	96 dB(A), K: 3 dB
Vibrasjoner	5,56 m/s ²
Vekt	2,8 kg
Beskyttelsesklasse	II

Kiillotuskone

Tuotenro 18-3597 Malli R7171
40-9901 R7171

Lue käyttöohje ennen tuotteen käyttöönottoa ja säilytä se tulevaa tarvetta varten. Pidätämme oikeuden teknisten tietojen muutoksiin. Emme vastaa mahdollisista teksti- tai kuvavirheistä. Jos tuotteeseen tulee teknisiä ongelmia, ota yhteys myymälään tai asiakaspalveluun (yhteystiedot käyttöohjeen lopussa).

Turvallisuus

Yleisiä turvallisuusohjeita koskien sähkökäyttöisiä käsityökaluja

Varoitus! Lue kaikki ohjeet. Alla olevien ohjeiden noudattamatta jättäminen saattaa johtaa sähköiskuun, tulipaloon tai vakavaan loukkaantumiseen.

SÄÄSTÄ NÄMÄ OHJEET.

Varoistekstin termi sähkökäyttöinen käsityökalu tarkoittaa verkkovirralla tai akulla toimivaa käsityökalua.

1) Työtilat

- a) **Pidä työtilat puhtaina ja hyvin valaistuin.** Täynnä tavaraa olevat ja pimeät tilat lisäävät onnettomuusriskiä.
- b) **Älä käytä sähkökäyttöistä käsityökalua räjähdysriskissä ympäristössä, kuten helposti syttyvien nesteiden, kaasujen tai pölyn lähellä.** Sähkökäyttöiset käsityökalut muodostavat kipinöitä, jotka saattavat sytyttää pölyn tai höyryt.
- c) **Pidä lapset ja sivulliset loitolla, kun käytät sähkökäyttöistä käsityökalua.** Tarkkaavaisuuden menettäminen saattaa johtaa onnettomuuteen.

2) Sähköturvallisuus

- a) **Sähkökäyttöisen käsityökalun pistokkeen tulee sopia pistorasiaan. Älä muuta pistoketta millään tavalla. Älä käytä sovitinta maadoitettujen sähkökäyttöisten käsityökalujen kanssa.** Muuttamaton pistoke ja sopiva pistorasia vähentävät sähköiskun vaaraa.
- b) **Vältä koskettamasta maadoitettuja esineitä, kuten putkia, lämpöpattereita, liettä tai jääkaappia.** Sähköiskun vaara kasvaa, jos kehosi on maadoitettu.
- c) **Älä altista sähkökäyttöistä käsityökalua sateelle äläkä käytä sitä kosteissa olosuhteissa.** Veden joutuminen sähkökäyttöiseen käsityökaluun lisää sähköiskun vaaraa.
- d) **Käsittele virtajohtoa varoen. Älä kannan laitetta virtajohtosta äläkä irrota pistoketta pistorasiasta johdosta vetämällä. Älä altista virtajohtoa kuumuudelle, öljyille, teräville reunoille tai liikkuville osille.** Sotkeutuneet tai vahingoittuneet virtajohdot lisäävät sähköiskun vaaraa.

- e) **Kun käytät sähkökäyttöistä käsityökalua ulkona, käytä ainoastaan ulkokäyttöön sopivia jatkojohtoja.** Ulkokäyttöön sopivan jatkojohdon käyttäminen pienentää sähköiskun vaaraa.
- f) **Jos sähkökäyttöistä käsityökalua on pakko käyttää kosteassa ympäristössä, liitä laite pistorasiaan vikavirtasuojakytkimen kautta.** Vikavirtasuojakytkimen käyttö vähentää sähköiskun vaaraa.

3) Oma turvallisuutesi

- a) **Ole huolellinen ja käytä tervettä järkeä, kun käytät sähkökäyttöistä käsityökalua. Älä käytä sähkökäyttöistä käsityökalua, jos olet väsynyt tai päihteen, lääkkeiden tai alkoholin vaikutuksen alainen.** Lyhyenkin hetken kestävä tarkkaavaisuuden herpaantuminen saattaa johtaa vakavaan loukkaantumiseen.
- b) **Käytä suojavarusteita. Käytä aina suojalaseja.** Suojavarusteiden, kuten hengityssuojaimen, liukuestekenkien, kypärän ja kuulosuojaimen käyttäminen vähentää loukkaantumisvaaraa.
- c) **Vältä laitteen tahatonta käynnistämistä. Varmista, että virtakytkin on asennossa OFF, ennen kuin liität pistokkeen pistorasiaan, liität akun tai nostat/kannat sähkökäyttöistä käsityökalua.** On äärimmäisen vaarallista kantaa sähkökäyttöistä käsityökalua sormi liipaisimella tai liittää sähkökäyttöinen käsityökalu pistorasiaan virtakytkimen ollessa ON-asennossa.
- d) **Poista kaikki huoltotyökalut/avaimet, ennen kuin käynnistät sähkökäyttöisen käsityökalun.** Sähkökäyttöisen työkalun liikkuvan osan päälle unohdettu työkalu saattaa johtaa onnettomuuteen.
- e) **Älä kurota liian pitkälle työskennellessäsi. Varmista, että seisot tasapainoisesti työn jokaisessa vaiheessa.** Näin hallitset sähkökäyttöisen käsityökalun paremmin yllättävissä tilanteissa.
- f) **Käytä työskentelyyn sopivia vaatteita. Älä pidä löysiä vaatteita tai koruja. Pidä hiukset, vaatteet ja käsiineet loitolla koneen liikkuvista osista.** Löysät vaatteet, korut tai pitkät hiukset saattavat takertua liikkuviin osiin.
- g) **Jos käytössäsi on pölynpoistojärjestelmä, käytä sitä.** Sen käyttö vähentää pölyyn liittyviä vaaroja.

4) Sähkökäyttöisten käsityökalujen käyttäminen ja huoltaminen

- a) **Älä pakota sähkökäyttöistä käsityökalua. Käytä vain sellaista sähkökäyttöistä käsityökalua, joka soveltuu suunnittelemaasi työtehtävään.** Oikean työkalun käyttö on tehokkaampaa ja turvallisempaa sille tarkoitettulla syöttönopeudella.
- b) **Älä käytä sähkökäyttöistä käsityökalua, jos virtakytkin ei toimi.** Kaikki sähkökäyttöiset käsityökalut, joita ei voida hallita virtakytkimellä, ovat vaarallisia ja ne tulee korjata.
- c) **Irrota pistoke pistorasiasta tai poista akku laitteesta ennen sähkökäyttöisen käsityökalun säätämistä tai varusteiden vaihtamista ja ennen työkalun laittamista säilytykseen.** Nämä ennaltaehkäisevät toimenpiteet vähentävät sähkökäyttöisen käsityökalun tahatonta käynnistymistä.

- d) Säilytä sähkökäyttöisiä käsityökaluja lasten ulottumattomissa. Älä luovuta sähkökäyttöistä käsityökalua henkilöille, jotka eivät tunne sitä tai sen käyttöohjetta. Sähkökäyttöiset käsityökalut ovat vaarallisia tottumattomien käyttäjien käsissä.
- e) Huolla sähkökäyttöisiä käsityökaluja. Varmista, että kaikki asetukset on tehty oikein, kaikki liikkuvat osat liikkuvat esteettä ja että mikään muu seikka ei häiritse sähkökäyttöisen käsityökalun toimintaa. Jos jokin osa on vahingoittunut, se tulee korjata ennen käyttöä. Monet onnettomuudet johtuvat huonosti huolletuista sähkökäyttöisistä käsityökaluista.
- f) Pidä leikkaavat osat terävinä ja puhtaina. Kunnolla huolletut terävät terätyökalut vähentävät juuttumisen vaaraa, ja niitä on helpompi hallita.
- g) Käytä sähkökäyttöistä käsityökalua ja sen varusteita näiden ohjeiden mukaisesti. Ota myös huomioon työskentelyolosuhteet ja suoritettava työ. Sähkökäyttöisen käsityökalun käyttäminen muihin kuin sille tarkoitettuihin työtehtäviin saattaa johtaa vaaratilanteeseen.

5) Huolto

- a) Laitteen saa huoltaa ja korjata ainoastaan ammattihenkilö, ja huollossa tulee käyttää ainoastaan alkuperäisosia. Näin taataan sähkökäyttöisen käsityökalun turvallisuus.

Tuotteen merkinnät ja turvallisuussymbolit



Käytä kuulosuojainta.



Lue koko käyttöohje.



Käytä suojalaseja.

Kiillotusta koskevia turvallisuusohjeita

- Kiinnitysnauhallisten kiillotuslaikkojen käyttö ei ole suositeltua. Jos kuitenkin käytät sellaista: Älä anna kiillotuslaikan tai sen kiinnitysnauhojen roikkua vapaina, kun käytät kiillotuskonetta. Laita kiinnitysnauhat kiillotuslaikan alle tai leikkaa irralliset nauhat pois. Irralliset pyörivät kiinnitysnauhat saattavat juuttua sormiisi tai työkappaleeseen.
 - Kiillotuskone on tarkoitettu ainoastaan kuivakiillotukseen.
 - Käytä vain suositeltuja lisälaitteita.
 - Alle 16-vuotiaat henkilöt eivät saa käyttää kiillotuskonetta.
 - Kiillotuskonetta ei saa käyttää asbestia sisältävien materiaalien kanssa.
- a) **Tämä sähkökäyttöinen työkalu on tarkoitettu kiillotukseen. Lue kaikki työkalun mukana tulevat turvallisuusohjeet, ohjeet, kuvat ja tekniset tiedot.** *Alla olevien ohjeiden noudattamatta jättäminen saattaa johtaa sähköiskuun, tulipaloon ja/tai vakavaan loukkaantumiseen.*
 - b) **Tällä sähkökäyttöisellä käsityökalulla ei suositella tehtävän työtapoja kuten hiontaa, puhdistusta, harjausta ja katkaisua.** *Työkalulle sopimattomien töiden tekeminen saattaa aiheuttaa vaaratilanteita ja johtaa loukkaantumiseen.*
 - c) **Käytä ainoastaan valmistajan hyväksymiä ja suosittelemia varusteita.** *Vaikka varusteen pystyisi asentamaan sähkökäyttöiseen käsityökaluusi, sen käyttäminen saattaa olla vaarallista.*
 - d) **Varusteen ilmoitetun kierrosnopeuden tulee vastata vähintään sähkökäyttöisen käsityökalun suurinta kierrosnopeutta.** *Suurinta kierrosnopeutta nopeammin pyörivät varusteet saattavat mennä rikki ja hajota osiksi.*
 - e) **Varusteen ulkohalkaisija ja paksuus eivät saa ylittää sähkökäyttöisen käsityökalun ilmoitettua kapasiteettia.** *Liian ison varusteen käyttäminen tekee laitteen käsittelystä vaikeaa ja heikentää turvallisuutta.*
 - f) **Älä käytä viallisia varusteita. Tarkasta varusteet. Hiomalaikoissa ei saa olla irrallisia osasia tai halkeamia, tukilajoissa ei saa olla halkeamia, koloja tai kulumaa, teräslankalajoissa ei saa olla irrallisia tai vioittuneita harjaksia.** **Jos pudotat sähkökäyttöisen käsityökalun tai varusteen, varmista, että ne eivät ole vioittuneet. Jos varuste on vahingoittunut, vaihda tilalle uusi. Tarkasta ja asenna varuste, mene laitteen vaara-alueen ulkopuolelle (koskee myös sivullisia) ja käytä laitetta täysillä kierroksilla yhden minuutin ajan.** *Vahingoittuneet varusteet hajoavat yleensä testauksen aikana.*
 - g) **Käytä henkilösuojaimia. Käytä kasvosuojusta tai suojalaseja koneen käyttötavasta riippuen. Käytä tarvittaessa kasvosuojainta, kuulosuojainta, käsineitä ja esiliinaa, joka suojaa työkappaleesta lentäviltä hiontahiukkasilta ja muilta kappaleilta.** *Suojalasiin tulee suojata lenteleviltä roskilta, joita syntyy eri työvaiheissa. Hengityssuojaimen tulee suodattaa työssä syntyvät hiukkaset. Pitkäaikainen oleskelu meluisassa ympäristössä saattaa aiheuttaa kuulovaurioita.*
 - h) **Pidä sivulliset riittävän kaukana työpisteestä. Kaikkien työpisteessä oleskelevien tulee käyttää henkilösuojaimia.** *Työstettävästä kappaleesta tai viallisesta varusteesta lentävät lastut saattavat aiheuttaa vahinkoa myös työpisteen ulkopuolella.*

- i) **Sijoi ta virtajohto riittävän kauas pyörivästä varusteesta.** Laitteen hallinnan menettäminen saattaa aiheuttaa johdon katkeamisen tai juuttumisen, minkä seurauksena käsi tai käsivarsi saattaa joutua pyörivään varusteeseen.
- j) **Älä laske sähkökäyttöistä käsityökalua käsistäsi, ennen kuin varuste on täysin pysähtynyt.** Pyörivä varuste saattaa ottaa kiinni alustaan, mikä saattaa johtaa hallinnan menettämiseen.
- k) **Älä pidä sähkökäyttöistä käsityökalua käynnissä, kun siirryt toiseen paikkaan.** Pyörivän varusteen tahaton koskettaminen saattaa johtaa vaatteiden tarttumiseen varusteeseen, jolloin varuste liikkuu kohti käyttäjää.
- l) **Puhdista moottorin ilma-aukot säännöllisesti.** Moottorin puhallin kerää puoleensa pölyä, joka joutuu rungon sisälle. Jos rungon sisälle kerääntyy suuria määriä metallipurua, seurauksena voi olla sähkövaara.
- m) **Älä käytä sähkökäyttöistä käsityökalua helposti syttyvien materiaalien läheisyydessä.** Kipinäointi saattaa aiheuttaa näiden materiaalien syttymisen.
- n) **Älä käytä varusteita, jotka vaativat jäähdytysnesteitä.** Veden tai muiden jäähdytysnesteiden käyttö saattaa johtaa hengenvaaralliseen sähköiskuun.

Takapotku ja sitä koskevat varoitukset

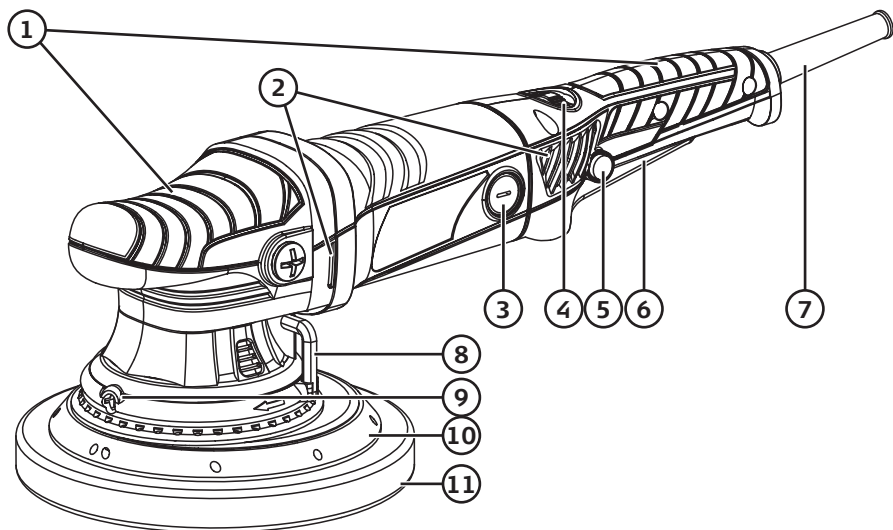
- Takapotku on äkillinen liike, joka aiheutuu laikan, tukilaikan, harjan tai muun varusteen juuttumisesta. Puristuminen tai kiinni juuttuminen johtaa pyörivän varusteen nopeaan pysähtymiseen, mikä vuorostaan lennättää sähkökäyttöisen käsityökalun vastakkaiseen suuntaan varusteen pyörimissuuntaan nähden.
 - Takapotkun riski kasvaa, jos sähkökäyttöistä käsityökalua käytetään väärällä tavalla tai väärissä olosuhteissa, mutta se voidaan välttää noudattamalla alla olevia turvallisuusohjeita.
- a) **Pidä tukevasti kiinni sähkökäyttöisestä käsityökalusta ja pidä käsiä ja vartaloa siten, että pystyt reagoimaan mahdolliseen takapotkuun.** Käytä aina laitteen mahdollista apukahvaa, sillä sen käyttäminen lisää laitteen hallittavuutta takapotkun tai käynnistyessä tapahtuvan nykäyksen aikana. Käyttäjä pystyy hallitsemaan takapotkun tai vääntömomentin muutokset, jos tarpeellisia turvallisuusohjeita on noudatettu.
 - b) **Älä koskaan sijoita käsiäsi pyörivän varusteen läheisyyteen.** Varuste voi lentää käyttäsi kohti takapotkun seurauksena.
 - c) **Älä seiso paikassa, jonne sähkökäyttöinen käsityökalu todennäköisesti lentää takapotkun sattuessa.** Takapotku lennättää työkalun päinvastaiseen suuntaan varusteen pyörimissuuntaan nähden.
 - d) **Noudata erityistä varovaisuutta, kun työskentelet kulmien, terävien reunojen tms. kanssa.** Kulmat ja terävät reunat saattavat aiheuttaa takapotkun tai johtaa työkalun hallinnan menettämiseen.

Käyttö ulkona

- Liitä kone pistorasiaan, jossa on ulkokäyttöön soveltuva vikavirtasuojakytkin. Vikavirtasuojakytkimen herkkyys tulee olla 30 mA.
- Käytä ainoastaan ulkokäyttöön sopivia johtoja ja liittimiä.

Kuvaus

Kiillotuskoneessa käytetään 160 mm:n kiillotuslaikkaa/kiillotussientä, jossa on tarranauhakiinnitys.



1. Etukahva/takakahva
2. Ilma-aukot
3. Hiiliharjan kansi
4. Nopeuden säätö
5. Virtakytkimen lukitsin
6. Virtakytkin ON/OFF
7. Virtajohto ja pistoke
8. Kuusiokoloavain
9. Kuusiokoloavaimen reikä, käytetään karan tasapainottamiseen
10. Kiillotuslevy Ø 145 mm
11. Kiillotuslaikka/kiillotussieni Ø 160 mm (myydään erikseen)

Ennen käyttöä

- Varmista, että kiillotuslevy on kunnolla kiinni.
- Varmista, että kiillotuslevyä voi kiertää käsin.

Käyttö

Käynnistäminen/pysäyttäminen

- Pidä koneesta kiinni kahdella kädellä ja käynnistä/sammuta se vain, kun kiillotussieni on kiillotettavan pinnan päällä.
- Käynnistä kiillotuskone aina alhaisimmilla kierroksilla säätämällä säädin (4) asentoon **MIN** ja painamalla virtakytkintä (6). Paina lukitsinta (5), jos haluat, että moottori käy koko ajan.
- Sammuta kiillotuskone painamalla virtakytkimen (6) etureunaa ja päästämällä virtakytkin.

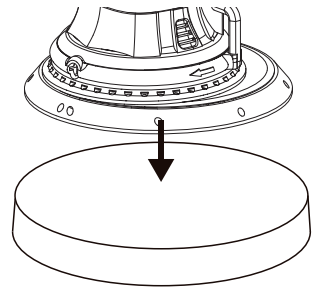
Säädettävä nopeus

Valitse nopeus (**MIN–6**) säätimellä (4). Aloita aina alhaisimmalla nopeudella (**MIN**) ja lisää nopeutta tarvittaessa työskentelyn aikana. Jos olet epävarma, kokeile ensin eri nopeuksia koepinnalla.

Kiillotuslaikan/kiillotussienen vaihtaminen

Eri varusteista käytetään alla nimeä kiillotussieni.

1. Irrota pistoke pistorasiasta ja poista kiillotussieni (11) kiillotuslevystä (10).
2. Kiillotussieni tulee asentaa kiillotuslevyn keskelle. Tämä sujuu helpoiten pitämällä kiillotussientä alla ja painamalla kiillotuslevy kiinni yläpuolelta. Jos kiillotussieni asennetaan näin, sen keskittäminen sujuu helpommin.



Tärinä

Kiillotuskone tärisee jonkin verran käytössä pyörivästä liikkeestä johtuen.

Jos kiillotuskone tärisee erittäin paljon, tarkista ensin, että kiillotussieni on kiillotuslevyn keskellä. Kokeile myös säätää kierroslukua pienemmäksi. Kiillotuslevyä voi myös tasapainottaa suhteessa kiillotussienen painoon (katso seuraava kappale).

Kiillotuslevyn tasapainottaminen epänormaalin tärinän sattuessa

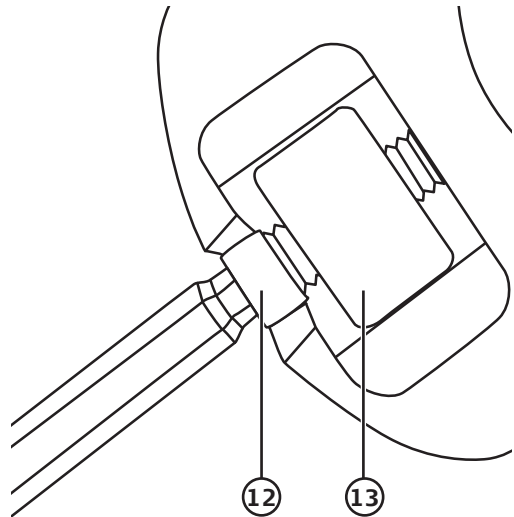
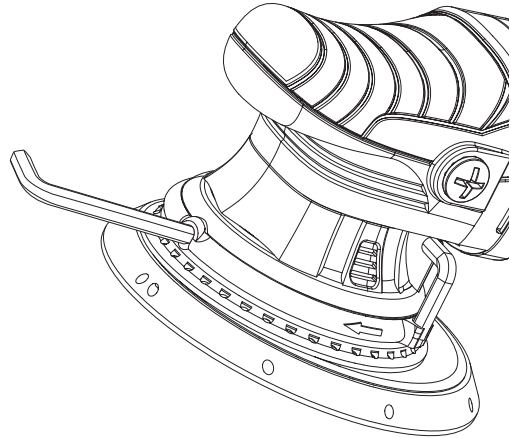
- Kiillotuslevy on tasapainotettu tehtaalla suositellun kokoiselle kiillotussienelle.
- Tehtaalla tehty tasapainotus sopii useimmille samankokoisille kiillotussienille, eikä kiillotuslevyä yleensä tarvitse erikseen tasapainottaa.
- Jos kone kuitenkin tärisee epätavallisen paljon toisenkokoista kiillotussientä käytettäessä, kiillotuslevyä voi tasapainottaa säätämällä karan vastapainon sijaintia.
- Suurin säätövara on 20 g suositellun kiillotussienen painosta.

Vastapainoa säädetään mukana tulevalla kuusiokoloavaimella.

1. Paina kiillotuslevyä sisäänpäin (kohti virtakytkintä) niin, että säätöruuvi (12) on juuri reiän (9) sisäpuolella.
2. Paina mukana tullut kuusiokoloavain (8) reiän (9) läpi säätöruuviin (12). Kun säätöruuvia kierretään, pieni paino (13) liikkuu sisään-/ ulospäin ja kompensoi kiillotussienen muuttunutta painoa.
 - Kierä kuusiokoloavainta myötäpäivään, jos uusi kiillotussieni on painavampi kuin edellinen.
 - Kierä kuusiokoloavainta vastapäivään, jos uusi kiillotussieni on kevyempi kuin edellinen.

Kuvassa näkyy tasapainotuksen hienosäädön periaate.

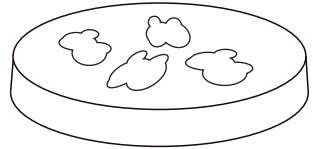
12. Kiillotuslevyn tasapainotuksen säätöruuvi
13. Kiillotuslevyn tasapainotuksen paino



Kiillottaminen

Eri kiillotusaineista (vaha, rubbing, polish ym.) käytetään alla nimitystä kiillotusaine.

- Kiillotuskone soveltuu käytettäväksi juoksevan kiillotusaineen kanssa.
 - Lue aina kiillotusaineen käyttöohjeet ja muut tiedot varmistaaksesi, että se soveltuu konekiillotukseen.
1. Irrota pistoke ja asenna kiillotussieni kiillotuslevyn keskelle. Käytä vain puhtaita ja ehjiä kiillotussieniä ja vaihda sientä, jos vaihdat kiillotusainetta kiillottamisen aikana. Useimmat kiillotussienet ovat pestäviä, joten ne kannattaa pestä ja käyttää uudelleen.
 2. Laita kiillotusainetta kiillotussienen päälle. Lisää aluksi vain vähän kiillotusainetta. Älä laita kiillotusainetta kiillotettavalle pinnalle.



3. Laita virtajohto olan yli, jotta se ei ole tiellä kiillottamisen aikana.
Huom.! Pidä koneesta kiinni molemmilla käsillä niin, että kiillotuskone on kiinni kiillotettavassa pinnassa ja käynnistä kone alhaisimmilla kierroksilla. Liikuta konetta vaaka- ja pystysuunnassa kiillotettavalla pinnalla ja paina konetta kevyesti. Liikuta konetta koko ajan, sillä maalipinta saattaa mennä pilalle, jos kone on pitkään samassa kohdassa.
 4. Kiillota käsin pienet pinnat, kuten peilit ja ovenkahvat.
- Tavallisin virhe kiillottamisessa on, että käytetään liian paljon kiillotusainetta. Jos kiillotussieni on täysin märkä kiillotusaineesta, kiillottamisessa saattaa kestää pidempään ja kiillottaminen saattaa olla vaikeampaa. Kiillotussienen käyttöikä lyhenee, jos siinä käytetään liikaa kiillotusainetta.
 - Jos kiillotussieni ei pysy kiillotuslevyssä, siinä on todennäköisesti liikaa kiillotusainetta.

Huoltaminen

- Irrota pistoke ennen huoltamista.
- Säilytä kiillotuskonetta kiillotuslevy ylöspäin. Näin se säilyttää muotonsa pidempään.
- Irrota kiillotussieni kiillotuslevystä.
- Pese kiillotussieni käsin ja anna sen kuivua ilmassa tilassa.
- Älä käytä hiovia aineita.
- Puhdista koneen ulkopinta tarvittaessa kevyesti kostutetulla liinalla. Käytä tarvittaessa astianpesuainetta.
- Älä käytä kiillotuskonetta sateella tai mikäli kätesi ovat märät.
- Pidä moottorin ilma-aukot puhtaina, jotta moottori ei ylikuumene.
- Jos teet pölyäviä töitä, irrota pistoke ja poista pöly ja kerrostumat ilma-aukoista.

Kierrättäminen

Tämä symboli tarkoittaa, että tuotetta ei saa laittaa kotitalousjätteen sekaan. Ohje koskee koko EU-aluetta. Virheellisestä kierrättämisestä johtuvien mahdollisten ympäristö- ja terveyshaittojen ehkäisemiseksi tuote tulee viedä kierrätettäväksi, jotta materiaali voidaan käsitellä vastuullisella tavalla. Kierrätä tuote käyttämällä paikallisia kierrätysjärjestelmiä tai ota yhteys ostopaikkaan. Ostopaikassa tuote kierrätetään vastuullisella tavalla.



Tekniset tiedot

Jännite	220–240 V AC, 50Hz
Teho	720 W
Kierrosluku	Portaaton kierrosluvun säätö 2100–5000 kierr./min. (kuormittamaton)
Liike	Edestakainen, säteittäinen liike 21 mm
Kiillotuslevy	Ø 145 mm, tarranauhakiinnitys
Kiillotussieni	Suositteltu koko Ø 160 mm
Äänenpaine (LpA)	85 dB(A), K: 3 dB
Melutaso (LwA)	96 dB(A), K: 3 dB
Tärinäarvo	5,56 m/s ²
Paino	2,8 kg
Suojausluokka	II

Polierer

Art.Nr. 18-3597 Modell R7171
40-9901 R7171

Vor Inbetriebnahme die Bedienungsanleitung vollständig durchlesen und für künftigen Gebrauch aufbewahren. Irrtümer, Abweichungen und Änderungen behalten wir uns vor. Bei technischen Problemen oder anderen Fragen freut sich unser Kundenservice über eine Kontaktaufnahme (Kontakt siehe Rückseite).

Sicherheitshinweise

Allgemeine Sicherheitshinweise für Elektrowerkzeuge

Warnung! Die komplette Bedienungsanleitung durchlesen.

Nichtbeachtung der folgenden Anweisungen kann zu Stromschlägen, Feuer und/oder schweren Verletzungen führen.

DIESE BETRIEBUNGSANLEITUNG AUFBEWAHREN.

Die Bezeichnung „Elektrowerkzeug“ im weiteren Textverlauf bezieht sich auf das Netzkabel-angeschlossene oder Akku-betriebene Handwerkzeug.

1) Arbeitsumgebung

- a) **Die Arbeitsumgebung sauber und gut beleuchtet halten.** Unordentliche und dunkle Umgebungen können zu Unfällen führen.
- b) **Elektrowerkzeuge nicht in feuergefährlichen Umgebungen (z. B. leicht entzündbare Flüssigkeiten, Gase oder Staub) benutzen.** Elektrowerkzeuge erzeugen Funken, die Staub oder Dämpfe entzünden können.
- c) **Während der Benutzung des Elektrowerkzeugs Kinder und Zuschauer auf Abstand halten.** Störungen können zum Verlust der Kontrolle führen.

2) Sicherheitshinweise Elektrik

- a) **Sicherstellen, dass der Netzstecker des Elektrowerkzeugs in die Netzsteckdose passt. Niemals den Netzstecker verändern. Niemals einen Adapter zusammen mit geerdeten Elektrowerkzeugen verwenden.** Unveränderte Stecker und passende Steckdosen verringern das Risiko von Stromschlägen.
- b) **Körperkontakt mit geerdeten Gegenständen, z. B. Rohren, Heizungen, Öfen oder Kühlschränken, vermeiden.** Ist der eigene Körper geerdet, erhöht sich das Risiko für Stromschläge.
- c) **Elektrowerkzeuge nicht für Regen oder Feuchtigkeit aussetzen.** Wasser im Inneren von Elektrowerkzeugen erhöht das Risiko für Stromschläge.

- d) **Mit dem Netzkabel behutsam umgehen. Das Netzkabel nie zum Ziehen oder Tragen des Elektrohandwerkzeugs oder zum Herausziehen des Steckers aus der Steckdose verwenden. Das Kabel von Wärme, Öl, scharfen Kanten und beweglichen Teilen fernhalten.** Beschädigte oder verformte Netzkabel erhöhen die Gefahr von elektrischen Schlägen.
- e) **Bei der Benutzung von Elektrowerkzeugen im Außenbereich immer ein Verlängerungskabel benutzen, das dafür vorgesehen ist.** Die Benutzung eines Verlängerungskabels für den Außenbereich verringert das Risiko von Stromschlägen.
- f) **Sollte das Elektrowerkzeug trotzdem in feuchter Umgebung benutzt werden, unbedingt eine Fehlerstrom-Schutzeinrichtung vorschalten.** Die Benutzung einer Fehlerstromschutzeinrichtung verringert das Risiko von Stromschlägen.

3) *Persönliche Sicherheit*

- a) **Bei der Benutzung von Elektrowerkzeugen vorsichtig sein und auf den gesunden Menschenverstand hören. Die Bedienung von Elektrowerkzeugen bei Müdigkeit und/oder unter Einfluss von Drogen, Alkohol oder Medizin ist untersagt.** Ein kurzer Moment der Unachtsamkeit kann zu schweren Sach- und Personenschäden führen.
- b) **Persönliche Schutzausrüstung benutzen. Immer einen Augenschutz tragen.** Die Benutzung von persönlicher Schutzausrüstung bei Bedarf, wie Atemschutz, Sicherheitsschuhe, Helm und Gehörschutz, verkleinert das Verletzungsrisiko.
- c) **Ungewolltes Starten vermeiden. Sicherstellen, dass der Stromschalter in der Position OFF ist, bevor der Netzstecker oder Akku angeschlossen wird oder das Elektrowerkzeug gehoben/getragen wird.** Das Tragen von Elektrowerkzeugen mit einem Finger auf dem Schalter oder der Anschluss von Elektrowerkzeugen an die Netzspannung, während der Schalter in der Position ON ist, birgt ein erhöhtes Unfallrisiko. Befindet sich der Ein-/Ausschalter in Stellung ON erhöht sich die Unfallgefahr.
- d) **Vor dem Einschalten des Elektrowerkzeugs alle Servicewerkzeuge/Schlüssel entfernen.** Ein vergessenes Servicewerkzeug an einem rotierenden Teil von Elektrowerkzeugen kann zu Personenschäden führen.
- e) **Stets eine stabile und bequeme Arbeitsposition einnehmen. Immer eine gute Balance sicherstellen.** Dies sorgt für bessere Kontrolle des Elektrowerkzeugs in unvorhergesehenen Situationen.
- f) **Stets geeignete Arbeitskleidung tragen. Keine losen Kleider oder Schmuck tragen. Haare, Kleidung und Handschuhe von beweglichen Teilen fernhalten.** Lose Kleidung, Schmuck oder lange Haare können sich in beweglichen Teilen verfangen.
- g) **Ist Ausrüstung zum Absaugen und Aufsammeln von Staub zugänglich, sollte diese angeschlossen und benutzt werden.** Die Nutzung dieser Hilfsmittel kann mit Staub in Verbindung stehende Gefahren verringern.

4) *Benutzung und Wartung von Elektrowerkzeugen*

- a) **Elektrowerkzeuge nie überbeanspruchen. Elektrowerkzeuge nur für die dafür vorgesehene Arbeit benutzen.** Das richtige Elektrowerkzeug sorgt für mehr Sicherheit und ein besseres Resultat.
- b) **Niemals ein Elektrowerkzeug benutzen, wenn der Stromschalter das Gerät nicht ein-/ausschaltet.** Ein Elektrowerkzeug, das sich nicht mehr ein- oder ausschalten lässt, ist gefährlich und muss repariert werden.
- c) **Zum Ändern der Einstellungen, Austausch von Werkzeugteilen und bei Nichtbenutzung stets den Netzstecker ziehen.** Diese Vorkehrungsmaßnahme verkleinert das Risiko für einen unabsichtlichen Start.
- d) **Elektrowerkzeuge bei Nichtbenutzung außer Reichweite von Kindern aufbewahren. Personen, die nicht mit der Bedienung vertraut sind, das Elektrowerkzeug nichtbenutzen lassen.** Elektrowerkzeuge sind gefährlich, wenn sie in die Hände von unerfahrenen Personen gelangen.
- e) **Elektrowerkzeuge stets warten. Regelmäßig überprüfen, ob etwas falsch eingestellt ist, ob bewegliche Teile klemmen, etwas kaputt gegangen ist oder etwas anderes die fehlerfreie Funktion behindert. Wenn etwas kaputt ist, muss es vor Inbetriebnahme repariert werden.** Viele Unglücke werden durch mangelnde Wartung verursacht.
- f) **Werkzeuge stets sauber und scharf halten.** Ordentlich gewartete Werkzeuge neigen weniger zu Fehlfunktionen und sind einfacher zu handhaben.
- g) **Elektrowerkzeuge, Zubehör usw. nur der Beschreibung entsprechend und für den vorgesehenen Verwendungszweck handhaben. Dabei immer die aktuellen Arbeitsbedingungen berücksichtigen.** Bei Zweckentfremdung können Sach- und Personenschäden entstehen.

5) *Service*

- a) **Reparaturen nur von qualifizierten Servicetechnikern und mit Originalzubehör durchführen lassen.** Dies bewahrt die Sicherheit von Elektrowerkzeugen.

Produktmarkierung mit Gebotszeichen



Gehörschutz tragen.



Die Bedienungsanleitung vollständig durchlesen.



Augenschutz tragen.

Spezifische Sicherheitshinweise für Polierarbeiten

- Das Benutzen von Polierhauben mit Befestigungsschnur wird nicht empfohlen. Wenn diese trotzdem zum Einsatz kommen, folgendes beachten: Die Polierhaube oder deren Befestigungsschnüre bei Betrieb der Poliermaschine nicht lose hängen lassen. Die Schnüre unter die Haube stopfen oder überstehende Schnüre abschneiden. Lose rotierende Befestigungsschnüre können an den Fingern oder am Werkstück hängenbleiben.
 - Diese Maschine ist ausschließlich zum trockenen Polieren geeignet.
 - Nur für die Maschine vorgesehene Zubehör verwenden.
 - Das Produkt darf nur von Personen ab 16 Jahren angewendet werden.
 - Keine Materialien bearbeiten, die Asbest enthalten.
- a) **Dieses Elektrowerkzeug ist für Polierarbeiten bestimmt. Alle Sicherheitshinweise, Anweisungen, Darstellungen und technischen Daten beachten, die mit diesem Werkzeug geliefert werden.** *Missachtung der nachstehenden Anweisungen kann zu elektrischem Schlag, Feuer und/oder ernsthaften Verletzungen führen.*
 - b) **Es wird nicht empfohlen, dieses Elektrowerkzeug zum Schleifen, Fächerschleifen, Bürsten und Schneiden zu benutzen.** *Zweckentfremdung des Elektrowerkzeugs kann zu Sach- und Personenschäden führen.*
 - c) **Kein Zubehör verwenden, das nicht speziell für das jeweilige Gerät vorgesehen ist und vom Hersteller empfohlen wird.** *Auch wenn ein anderes Zubehör am Elektrowerkzeug montiert werden kann, bedeutet dies nicht, dass es damit auch fehlerfrei funktioniert.*

- d) **Die Nenngeschwindigkeit des Zubehörs muss mindestens der auf dem Elektrohandwerkzeug angegebenen Höchstgeschwindigkeit entsprechen.** *Zubehöre, die schneller als ihre Nenndrehzahl rotieren, können kaputt gehen und zerfallen.*
- e) **Außendurchmesser und Stärke des Zubehörs müssen im Rahmen der Nennkapazität des Elektrohandwerkzeugs liegen.** *Falsch bemessene Einsatzwerkzeuge können nicht ausreichend abgesichert oder kontrolliert werden.*
- f) **Kein beschädigtes Zubehör verwenden. Zubehör überprüfen und sicherstellen, dass Folgendes nicht vorhanden ist: Splitter oder Risse an den Schleifscheiben, Risse, Verschleiß oder Abnutzung am Stützteller oder lose, gebrochene Borsten an den Schleiftellern. Sollte das Elektrowerkzeug aus der Hand fallen, überprüfen ob Beschädigungen entstanden sind, bzw. das Zubehör austauschen. Nach Kontrolle und Montage eines Zubehörs das Elektrowerkzeug eine Minute lang mit voller Geschwindigkeit testen. Dabei außerhalb des Risikobereichs stehen (gilt auch für Zuschauer).** *Beschädigte Zubehöre gehen bei diesem Test normalerweise ganz kaputt.*
- g) **Persönliche Schutzausrüstung tragen. Je nach Anwendungsart Gesichtsschutz oder Augenschutz benutzen. Bei Bedarf Atemschutz, Gesichtsschutz, Augenschutz, Gehörschutz, Handschutz und Schutzkleidung zum Schutz vor Schleifpartikeln oder Spänen tragen.** *Augen- oder Gesichtsschutz schützt vor umherfliegenden Grobpartikeln. Atemschutz filtert Feinpartikel. Längerer Aufenthalt in lärmintensiver Umgebung kann zu Gehörschäden führen.*
- h) **Zuschauer sind in sicherem Abstand vom Arbeitsplatz fernzuhalten. Alle Personen, die sich in der Arbeitsumgebung befinden, müssen entsprechende Schutzkleidung tragen.** *Bruchstücke des Arbeitsstücks oder von defektem Zubehör können wegfliegen und auch außerhalb des unmittelbaren Nahbereichs Verletzungen verursachen.*
- i) **Das Netzkabel von rotierenden Zubehören entfernt halten.** *Sollte die Kontrolle verloren werden, kann das Kabel abgeschnitten oder eingedreht werden und Gliedmaßen können in das rotierende Zubehör gezogen werden.*
- j) **Das elektrische Handwerkzeug immer erst ablegen, nachdem das Zubehör vollkommen zum Stillstand gekommen ist.** *Ein Zubehör, das noch nicht zum Stillstand gekommen ist, kann sich am Untergrund verhaken und das Werkzeug unkontrollierbar wegschleudern.*
- k) **Das Elektrowerkzeug niemals während des Tragens betreiben.** *Kleidung oder Haare können sich im rotierenden Zubehör verfangen und das Werkzeug zum Körper ziehen.*
- l) **Die Belüftungsöffnungen des Motors regelmäßig reinigen.** *Der Lüfter des Motors zieht Staub an, welcher ins Gehäuse drängen kann. Metallsplitters können zu Stromschlägen führen.*

- m) **Das elektrische Handwerkzeug nicht in der Nähe von leicht entflammabaren Materialien verwenden.** *Funken können dieses Material in Brand setzen.*
- n) **Kein Zubehör verwenden, das Kühlflüssigkeiten benötigt.** *Die Verwendung von Wasser oder anderen Kühlflüssigkeiten kann elektrische Schläge oder tödliche Verletzungen durch die Elektrik verursachen.*

Warnhinweise für Rückstöße

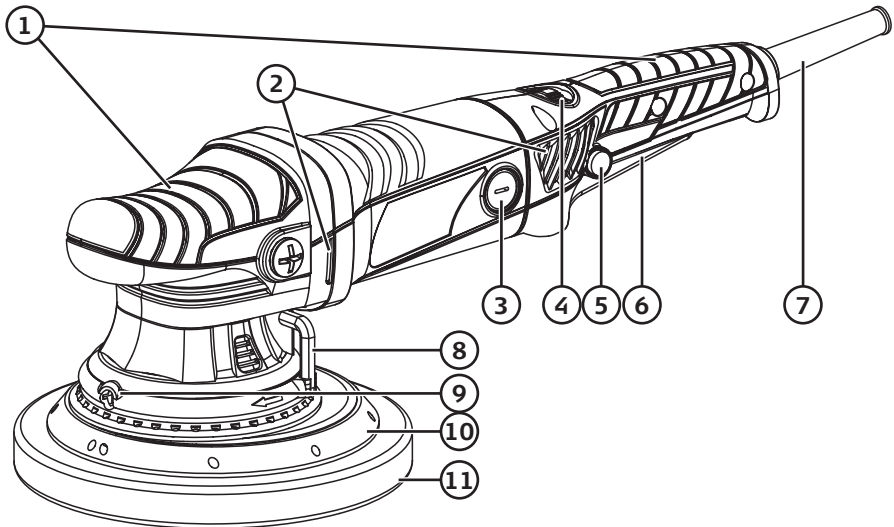
- Ein Rückstoß ist eine plötzliche Reaktion auf festgeklemmte oder blockierte Schleifscheiben, Stützscheiben, Bürsten usw. Wenn das Zubehör auf diesen Widerstand trifft kann das Werkzeug mit enormer Kraft entgegen der Rotationsrichtung zurückgeschleudert werden.
 - Ein Rückstoß entsteht vor allem, wenn das Elektrowerkzeug fehlerhaft, für falsches Material oder unter falschen Umständen benutzt wird und kann durch folgende Maßnahmen vermieden werden.
- a) **Das elektrische Handwerkzeug fest halten und die Arme und den Körper so spannen, dass diese ruckartigen Bewegungen abgefangen werden können. Wenn vorhanden, immer den Zusatzgriff benutzen. Dies sorgt für bessere Kontrolle.** *Ruckartige Bewegungen oder Reaktionen auf das Drehmoment sind vom Bediener beherrschbar, sofern die erforderlichen Vorsichtsmaßnahmen eingehalten werden.*
 - b) **Die Hand niemals in der Nähe von rotierendem Zubehör bringen.** *Das Zubehör kann auf die Hand schlagen.*
 - c) **Nicht in den Bereich stellen, in dem das Elektrowerkzeug bei einem Rückstoß landen kann.** *Rückstöße bewegen das Werkzeug entgegen der Rotationsrichtung des Zubehörs.*

Benutzung im Außenbereich

- Die Maschine sicherheitshalber über eine Fehlerstrom-Schutzeinrichtung an eine Steckdose anschließen. Dies gilt besonders beim Arbeiten im Außenbereich. Eine Fehlerstrom-Schutzeinrichtung mit einem Ansprechstrom von 30 mA benutzen.
- Ausschließlich Verlängerungskabel und Verteilersteckdosen verwenden, die für den Einsatz in Außenbereichen vorgesehen sind.

Beschreibung

Der Polierer ist für Polierschwämme/Polierhauben mit Klettverschluss und einem Durchmesser von 160 mm vorgesehen.



1. Vorderer/hinterer Griff
2. Lüftungsöffnungen
3. Deckel für Kohlebürste
4. Regler zur Einstellung der Geschwindigkeit
5. Arretierknopf für den Ein-/Ausshalter
6. Ein-/Ausshalter
7. Netzkabel mit Stecker
8. Innensechskantschlüssel
9. Loch für Innensechskantschlüssel (zum Ausbalancieren der Spindel)
10. Polierscheibe Ø 145 mm
11. Polierschwamm/Polierhaube Ø 160 mm (separat erhältlich)

Vor dem Gebrauch

- Sicherstellen, dass die Polierscheibe ordentlich fest sitzt.
- Sicherstellen, dass die Polierscheibe von Hand gedreht werden kann.

Gebrauch

Start/Stop

- Die Maschine nur dann ein- bzw. ausschalten, wenn der Polierschwamm auf der zu polierenden Oberfläche ruht.
- Die Maschine stets auf der niedrigsten Stufe starten: den Regler (4) auf **MIN** stellen und dann den Stromschalter (6) drücken. Soll der Motor im Dauerbetrieb betrieben werden, die Arretierung (5) drücken um den Stromschalter einrasten zu lassen.
- Zum Ausschalten die Vorderseite des Stromschalters (6) drücken und dann loslassen.

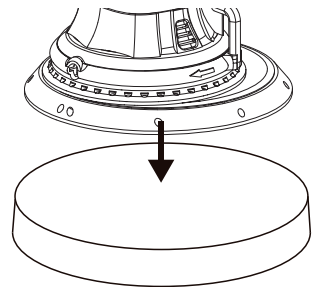
Einstellung der Geschwindigkeit

Die Geschwindigkeit am Regler (4) von **MIN** bis **6** (Maximalleistung) einstellen. Stets mit der niedrigsten Geschwindigkeit (**MIN**) anfangen und dann die Geschwindigkeit stufenweise auf das optimale Tempo erhöhen. Ist die ideale Geschwindigkeit nicht bekannt, sollte immer erst auf einer Probefläche getestet werden.

Polierschwamm/Polierhaube austauschen

Die versch. Zubehöre werden im weiteren Verlauf als Polierschwamm bezeichnet.

1. Den Stecker ziehen, und den Polierschwamm (11) von der Polierscheibe (10) abnehmen.
2. Der Polierschwamm muss zentriert auf der Polierscheibe angebracht werden. Am einfachsten ist dies, wenn der Polierschwamm unten gehalten wird und die Polierscheibe von oben aufgedrückt wird. Wenn der Polierschwamm so angebracht wird, ist es am einfachsten sicherzustellen, dass er zentriert ist, d. h. dass an allen Seiten gleich viel übersteht.



Vibrationen

Dank seiner oszillierenden Bewegungen vibriert der Polierer bei normalem Gebrauch. Sind die Vibrationen stärker als normal sollte zuerst überprüft werden, ob der Polierschwamm ordentlich zentriert ist. Es kann auch die Drehzahl reguliert werden, bis der Polierer weniger vibriert. Außerdem kann die Polierscheibe relativ zum Polierschwamm ausbalanciert werden (siehe nächster Abschnitt).

Ausbalancieren der Polierscheibe bei ungewöhnlichen Vibrationen

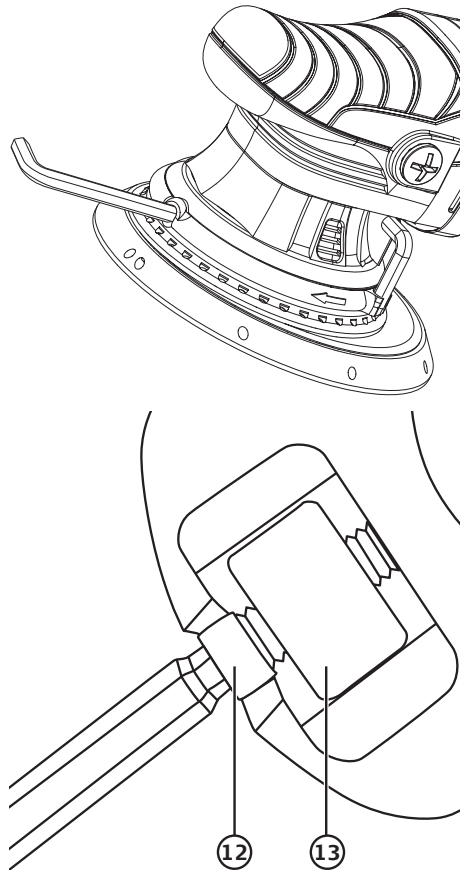
- Die Polierscheibe ist ab Werk für einen Polierschwamm der empfohlenen Größe ausbalanciert.
- Die Werkseinstellung ist für die meisten Polierschwämme gleicher Größe geeignet. Deshalb muss die Scheibe normalerweise nicht neu ausbalanciert werden.
- Treten beim Benutzen mit einem andern Polierschwamm jedoch ungewöhnliche Vibrationen auf, kann die Polierscheibe durch ändern der Position des Gegengewichts ausbalanciert werden.
- Die ausbalancierbare Abweichung vom Gewicht eines empfohlenen Polierschwamms beträgt 20 g.

Das Gegengewicht wird mithilfe des mitgelieferten Innensechskantschlüssels eingestellt.

1. Die Polierscheibe nach innen (Richtung Stromschalter) drücken, so dass sich die Einstellschraube (12) direkt vor dem Loch (9) befindet.
2. Den mitgelieferten Innensechskantschlüssel (8) durch das Loch (9) und in die Einstellschraube (12) führen. Durch das Drehen der Einstellschraube bewegt sich ein kleines Gewicht (13) nach innen/außen um das veränderte Gewicht des Polierschwamms auszugleichen.
 - Wenn der neue Polierschwamm schwerer ist, den Innensechskantschlüssel im Uhrzeigersinn drehen.
 - Wenn der neue Polierschwamm leichter ist, den Innensechskantschlüssel gegen den Uhrzeigersinn drehen.

Auf der Abbildung wird die Feineinstellung beim Ausbalancieren angezeigt.

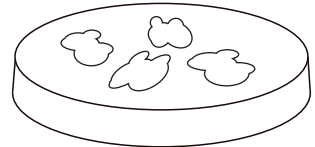
12. Einstellschraube zum Ausbalancieren der Polierscheibe.
13. Gewicht zum Ausbalancieren der Polierscheibe.



Polieren

Die versch. Reiniger, Polituren, Wachse usw. werden im weiteren Verlauf als Poliermittel bezeichnet.

- Es gibt eine Großzahl von Poliermitteln. Dieser Polierer ist jedoch nur für flüssige Poliermittel vorgesehen.
 - Vor dem Gebrauch stets die Anweisungen des Poliermittels durchlesen, um sicherzustellen, dass es für die Benutzung mit einem elektrischen Polierer geeignet ist.
1. Den Stecker ziehen, und den Polierschwamm zentriert auf der Polierscheibe anbringen. Nur saubere und unbeschädigte Polierschwämme benutzen und diese auswechseln, falls das Poliermittel gewechselt wird. Die meisten Polierschwämme sind waschbar. Deshalb empfiehlt es sich mehrere zu haben, die nach der Benutzung gewaschen werden.
 2. Das Poliermittel auf den Polierschwamm auftragen. Mit wenig Poliermittel anfangen. Die Polierpaste **NICHT** auf die zu polierende Fläche streichen.



3. Das Netzkabel der Maschine über die Schulter legen, damit es beim Polieren nicht im Weg ist. **Hinweis:** Die Maschine mit beiden Händen festhalten und auf der niedrigsten Stufe einschalten, wenn der Polierschwamm auf der zu polierenden Oberfläche ruht. Die Maschine mit leichtem Druck in senkrechten und waagerechten Bewegungen über die zu polierende Oberfläche führen. Die Maschine dabei ständig in Bewegung halten, da sonst der Lack zerstört werden kann, wenn die Maschine zu lange an einer Stelle bleibt.
 4. Kleine Teile wie z. B. Spiegel, Türgriffe, Kühlergrill usw. von Hand polieren.
- Der häufigste Fehler beim Polieren ist die Verwendung von zu viel Poliermittel. Wenn die Polierschwämme in Poliermittel getränkt werden, kann das Polieren längere Zeit in Anspruch nehmen und schwieriger auszuführen sein. Die Lebensdauer des Polierschwamms verkürzt sich, wenn zu viel Poliermittel verwendet wird.
 - Wenn sich der Polierschwamm von den Polierscheiben löst, ist vermutlich zu viel Poliermittel verwendet worden.

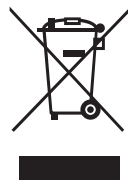
Wartung

- Vor Service- und Wartungsarbeiten den Netzstecker ziehen.
- Die Poliermaschine stets mit der Polierscheibe nach oben aufbewahren, dann behält diese ihre Form.
- Den Polierschwamm von der Polierscheibe entfernen.
- Den Polierschwamm von Hand waschen und anschließend an der Luft trocknen lassen.
- Niemals schleifende Stoffe verwenden.

- Die Maschine bei Bedarf außen mit einem Tuch reinigen, das mit ein wenig Spülmittel angefeuchtet ist.
- Die Poliermaschine nicht bei Regenwetter oder mit feuchten Händen benutzen.
- Die Lüftungsöffnungen des Motors stets offen halten, damit der Motor nicht überhitzt wird.
- Bei Durchführung staubverursachender Arbeiten: Zuerst den Netzstecker ziehen und dann Staub und Ablagerungen von den Lüftungsöffnungen entfernen.

Hinweise zur Entsorgung

Dieses Symbol zeigt an, dass das Produkt nicht gemeinsam mit dem Haushaltsabfall entsorgt werden darf. Dies gilt in der gesamten EU. Um möglichen Schäden für die Umwelt und Gesundheit vorzubeugen, die durch fehlerhafte Abfallentsorgung verursacht werden, dieses Produkt zum verantwortlichen Recycling abgeben um die nachhaltige Wiederverwertung von stofflichen Ressourcen zu fördern. Bei der Abgabe des Produktes bitte die vorhandenen Recycling- und Sammelstationen benutzen oder den Händler kontaktieren. Dieser kann das Produkt auf eine umweltfreundliche Weise recyceln.



Technische Daten

Betriebsspannung	220–240 V AC, 50 Hz
Leistung	720 W
Drehzahl	Stufenlose Drehzahlregelung 2100–5000 /min (unbelastet)
Radialbewegung	Pulsierende Radialbewegung 21 mm
Polierscheibe	Ø 145 mm mit Klettverschluss
Polierschwamm	Empfohlene Größe Ø 160 mm
Schalldruckpegel (LpA)	85 dB(A), K: 3 dB
Schalleistungspegel (LwA)	96 dB(A), K: 3 dB
Schwingungsemissionswert	5,56 m/s ²
Gewicht	2,8 kg
Schutzklasse	II

Declaration of Conformity

Försäkran om överensstämmelse

Samsvarerklæring

Vakuutus yhdenmukaisuudesta

Konformitätserklärung



CLAS OHLSON AB

SE-793 85 INSJÖN, SWEDEN

Declares that this product complies with the requirements of the following directives and standards

Intygar att denna produkt överensstämmer med kraven i följande direktiv och standarder

Bekrefter at dette produktet er i samsvar med følgende direktiver og standarder

Vakuuttaa, että tämä tuote täyttää seuraavien direktiivien ja standardien vaatimukset

Erklärt hiermit, dass dieses Produkt die Anforderungen und Bestimmungen folgender Richtlinien erfüllt

RANDOM ORBITAL POLISHER

Cocraft 40-9901 / 18-3597

R7171 / R7171

**Machinery directive
2006/42/EC**

**EMC directive
2004/108/EC**

**Low voltage
directive
2006/95/EC**

EN 60745-1:2009
+A11:2010
EN 60745-2-3:2011
+A2:2013+A11:2014

EN 55014-1:2006
+A1:2009+A2:2011
EN 55014-2:1997
+A1:2001+A2:2008
EN 61000-3-2:2014
EN 61000-3-3:2013

Klas Balkow
President

Insjön, Sweden, 2015-10-26

Sverige

Kundtjänst tel: 0247/445 00
fax: 0247/445 09
e-post: kundservice@clasohlson.se

Internet www.clasohlson.se

Post Clas Ohlson AB, 793 85 INSJÖN

Norge

Kundesenter tlf.: 23 21 40 00
faks: 23 21 40 80
e-post: kundesenter@clasohlson.no

Internett www.clasohlson.no

Post Clas Ohlson AS, Postboks 485 Sentrum,
0105 OSLO

Suomi

Asiakaspalvelu puh.: 020 111 2222
sähköposti: asiakaspalvelu@clasohlson.fi

Internet www.clasohlson.fi

Osoite Clas Ohlson Oy, Maistraatinportti 4 A,
00240 HELSINKI

Great Britain

Customer Service contact number: 020 8247 9300
e-mail: customerservice@clasohlson.co.uk

Internet www.clasohlson.co.uk

Postal 10 - 13 Market Place
Kingston Upon Thames
Surrey
KT1 1JZ

Deutschland

Kundenservice Unsere Homepage www.clasohlson.de
besuchen und auf Kundenservice klicken.