

WORX®



LANDROID® (L)
UNMANNED
MOWING
VEHICLE

Lawn Mowing Robot	EN	P02
Græsslående robot	DK	P16
Nurmikon leikkausrobotti	FIN	P30
Robot-gressklipper	NOR	P44
Gräsklipparrobot	SV	P58

ORIGINAL INSTRUCTIONS

TABLE OF CONTENTS

1. Safety Instructions	3
1.1 General & additional safety instruction	3
1.2 Information on the Landroid®L	5
2. Component list	6
3. Understanding Your Landroid®L	8
3.1 How does my Landroid®L know what to mow?	8
3.2 How does my Landroid®L know where to go?	9
A. Finding the Charging Base	9
B. Rain sensors	9
C. Sensing the boundary wire	9
D. Starting and stopping while mowing	9
3.3 How big of an area can my Landroid®L mow?	10
3.4 How efficiently will my Landroid®L mow the grass?	10
4. Boundary Wire Basics	11
4.1 Pegging the Boundary Wire	11
4.2 Burying the Boundary Wire	11
4.3 Joining the Boundary Wire	11
4.4 Turn on and test installation	11
5. Software update	12
6. Maintenance	12
6.1 Keep it sharp	12
A. Rotate and flip the blades	13
B. Replace the blades	13
6.2 Keep it clean	13
A. Cleaning the body	13
B. Cleaning the Underside	13
C. Clean the contact pins and the charging strips	13
6.3 Battery life	14
6.4 Winter hibernation	14
6.5 Replacing the battery	14

1. Safety Instructions

1.1 General & additional safety instruction



WARNING: Read all safety warnings and all instructions. Failure to follow the warnings and instructions may result in electric shock, fire and/or serious injury.

Carefully read the instructions for the safe operation of the machine.

Save all warnings and instructions for future reference.

- This appliance is not intended for use by persons (including children) with reduced physical, sensory or mental capabilities, or lack of experience and knowledge, unless they have been given supervision or instruction concerning use of the appliance by a person responsible for their safety.
- Children should be supervised to ensure that they do not play with the appliance.
- The appliance is only to be used with the power supply unit provided with the appliance.

IMPORTANT

READ CAREFULLY BEFORE USE

KEEP FOR FUTURE REFERENCE

SAFE OPERATION PRACTICES

Training

- a) Read the instructions carefully. Make sure you understand the instructions and be familiar with the controls and the proper use of the appliance;
- b) Never allow people unfamiliar with these instructions or children to use the appliance. Local regulations can restrict the age of the operator;
- c) The operator or user is responsible for accidents or hazards occurring to other people or their property.

Preparation

- a) Ensure the correct installation of the boundary wire as instructed.
- b) Periodically inspect the area where the appliance is to be used and remove all stones, sticks, wires, bones, and other foreign objects.
- c) Periodically visually inspect to see that the blades, blade bolts and cutter assembly are not worn or damaged. Replace worn or damaged blades and bolts in sets to preserve balance.
- d) On multi-spindle appliances, take care as rotating one blade can cause other blades to rotate.
- e) **WARNING!** The lawnmower shall not be operated without the guard in place.

OPERATION

1. GENERAL

- a) Never operate the appliance with defective guards, or without safety devices, for example deflectors, in place;
- b) Do not put hands or feet near or under rotating parts. Keep clear of the discharge opening at all times;
- c) Never pick up or carry an appliance while the motor is running;
- d) Operate the disabling device from the appliance;
 - Before clearing a blockage;
 - Before checking, cleaning or working on the appliance;
- e) It is not permitted to modify the original design of robotic lawnmower. All modifications are made at your own risk.
- f) Start robotic lawnmower according to the instructions. When the power key is switched on, make sure you keep your hands and feet away from the rotating blades. Never put your hands and feet under the mower.
- g) Never lift up robotic lawnmower or carry it when the power key is switched on.
- h) Do not let persons who do not know how robotic lawnmower works and behaves use the mower.
- i) Do not put anything on top of robotic lawnmower or its charging station.
- j) Do not allow robotic lawnmower to be used with a defective blade disc or body. Neither should it be used with defective blades, screws, nuts or cables.
- k) Always switch off robotic lawnmower when you do not intend to use the mower. Robotic lawnmower can only start when the power key is switched on and the correct PIN code has been entered.

2. ADDITIONALLY WHEN THE APPLIANCE IS OPERATING AUTOMATICALLY

- a) Do not leave the machine to operate unattended if you know that there are pets, children or people in the vicinity.

MAINTENANCE AND STORAGE



WARNING! When turning the mower upside down, the power key must always be switched off.

The power key should be switched off during all work on the mower's underframe, such as cleaning or replacing the blades.

- a) Keep all nuts, bolts and screws tight to be sure the appliance is in safe working condition;
- b) Inspect the robotic lawnmower each week and replace worn or damaged parts for safety;

- c) Check especially that the blades and blade disc are not damaged. Replace all blades and screws at the same time if necessary so that the rotating parts are balanced.
- d) Ensure that only replacement cutting means of the right type are used;
- e) Ensure that batteries are charged using the correct charger recommended by the manufacturer. Incorrect use may result in electric shock, overheating or leakage of corrosive liquid from the battery;
- f) In the event of leakage of electrolyte flush with water/neutralizing agent, seek medical help if it comes into contact with the eyes etc;
- g) Servicing of the appliance should be according to manufacturers instructions.

Transport

The original packaging should be used when transporting robotic lawnmower over long distances.

To safely move from or within the working area:

- a) Press the STOP button to stop the mower.
- b) You select the four digit PIN code when you start the mower for the first time.
- c) Always switch off robotic lawnmower if you intend to carry the mower.
- d) Carry the mower by the handle at the rear under the mower. Carry the mower with the blade disc away from the body.



Safety warnings for battery pack

- a) Do not dismantle, open or shred cells or battery pack.**
- b) Do not short-circuit a battery pack. Do not store battery packs haphazardly in a box or drawer where they may short-circuit each other or be short-circuited by conductive materials.** When battery pack is not in use, keep it away from other metal objects, like paper clips, coins, keys, nails, screws or other small metal objects, that can make a connection from one terminal to another. Shorting the battery terminals together may cause burns or a fire.
- c) Do not expose battery pack to heat or fire. Avoid storage in direct sunlight.**
- d) Do not subject battery pack to mechanical shock.**
- e) In the event of battery leaking, do not allow the liquid to come into contact with the skin or eyes. If contact has been made, wash the affected area with copious amounts of water and seek medical advice.**
- f) Seek medical advice immediately if a cell or battery pack has been swallowed.**
- g) Keep battery pack clean and dry.**
- h) Battery pack gives its best performance when it is operated at normal room temperature (20°C ± 5°C).**
- i) When disposing of battery packs, keep battery packs of different electrochemical systems separate from each other.**
- j) Recharge only with the charger specified by WORX. Do not use any charger other than that specifically provided for use with the equipment.** A charger that is suitable for one type of battery pack may create a risk of fire when used with another battery pack.
- k) Do not use any battery pack which is not designed for use with the equipment.**
- l) Keep battery pack out of the reach of children.**
- m) Retain the original product literature for future reference.**
- n) Dispose of properly.**

1.2 Information on the Landroid® L



WARNING - Robotic lawnmower can be dangerous if incorrectly used.

Read through the Operator's manual carefully and understand the content before using your robotic lawnmower.



WARNING - Keep a safe distance from the machine when operating.



WARNING - Operate the disabling device before working on or lifting the machine.



WARNING - Do not ride on the machine.



Do not burn



Batteries may enter water cycle if disposed improperly, which can be hazardous for ecosystem. Do not dispose of waste batteries as unsorted municipal waste.



Li-Ion

Batteries should be recycled. Do not dispose of batteries, Return exhausted batteries to your local collection or recycling point.



Li-Ion



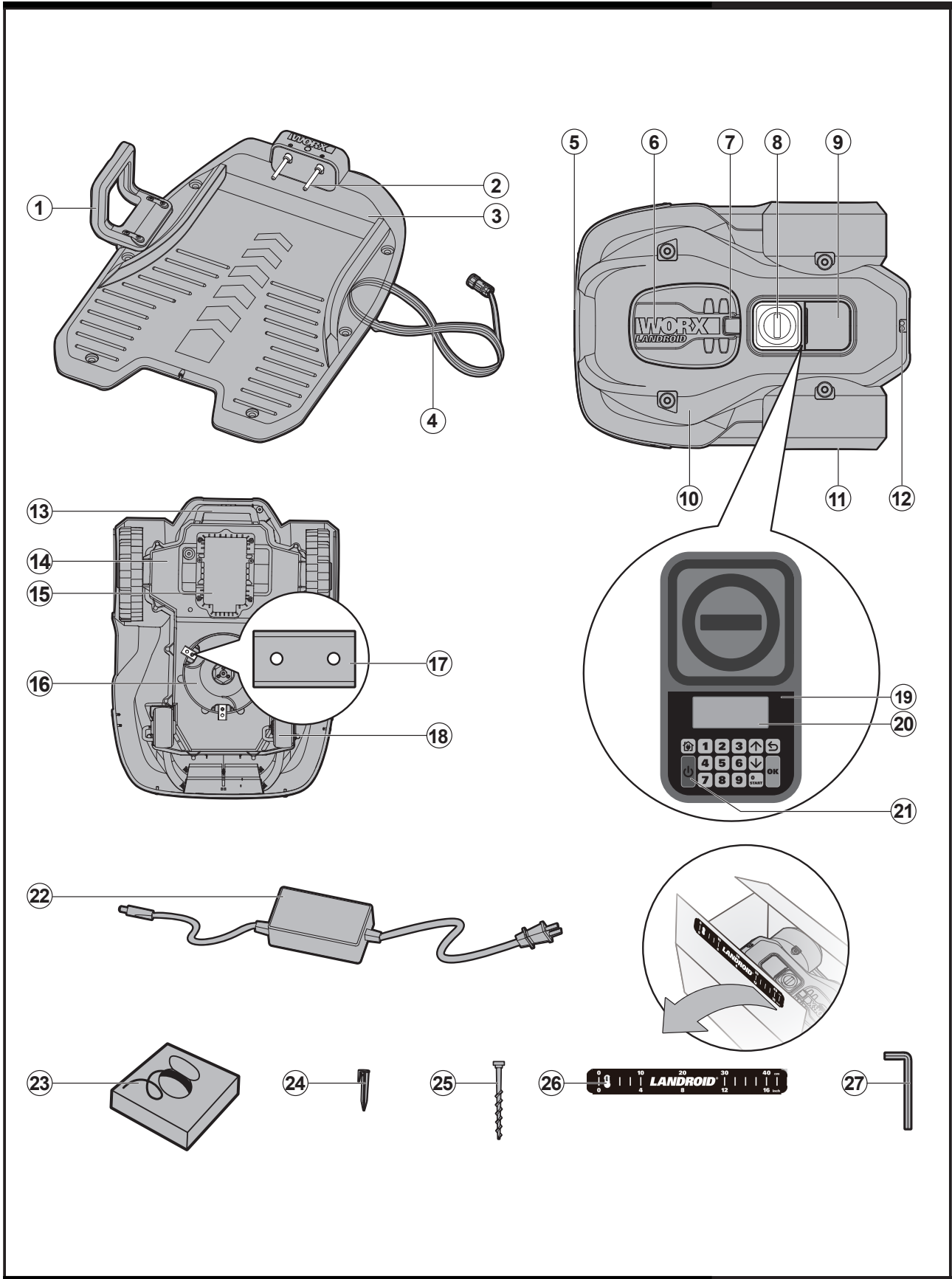
Do not wash the machine with a high pressure washer



Waste electrical products must not be disposed of with household waste. Please recycle where facilities exist. Check with your local authorities or retailer for recycling advice.



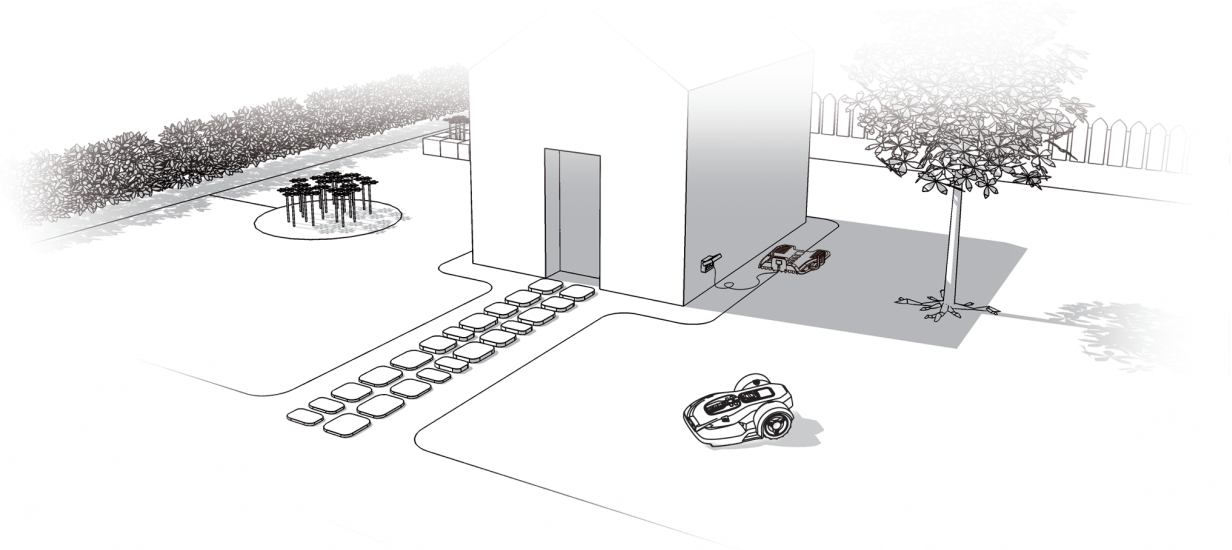
2. Component list



-
- 1. HANDLE BAR**
 - 2. CONTACT PINS**
 - 3. CHARGING BASE**
 - 4. LOW VOLTAGE CABLE**
 - 5. CHARGING STRIP**
 - 6. GRASS CUTTING HEIGHT ADJUSTMENT COVER**
 - 7. ACCESS POINT - TO OPEN HEIGHT ADJUSTMENT COVER.**
 - 8. STOP BUTTON**
 - 9. KEYPAD WINDOW**
 - 10. LANDROID DECK**
 - 11. REAR DRIVING WHEEL**
 - 12. RAIN SENSOR**
 - 13. HANDLE**
 - 14. MAIN HOUSING - CONTAINS MOTOR, ELECTRONICS AND BATTERY.**
 - 15. BATTERY PACK**
 - 16. BLADE TURNING DISC**
 - 17. CUTTING BLADES**
 - 18. FRONT WHEEL**
 - 19. KEYPAD**
 - 20. DISPLAY**
 - 21. ON/OFF KEY**
 - 22. POWER ADAPTOR**
 - 23. BOUNDARY WIRE**
 - 24. WIRE PEGS**
 - 25. CHARGING BASE FIXING NAILS**
 - 26. BOUNDARY WIRE DISTANCE GAUGE**
 - 27. HEX KEY**
-

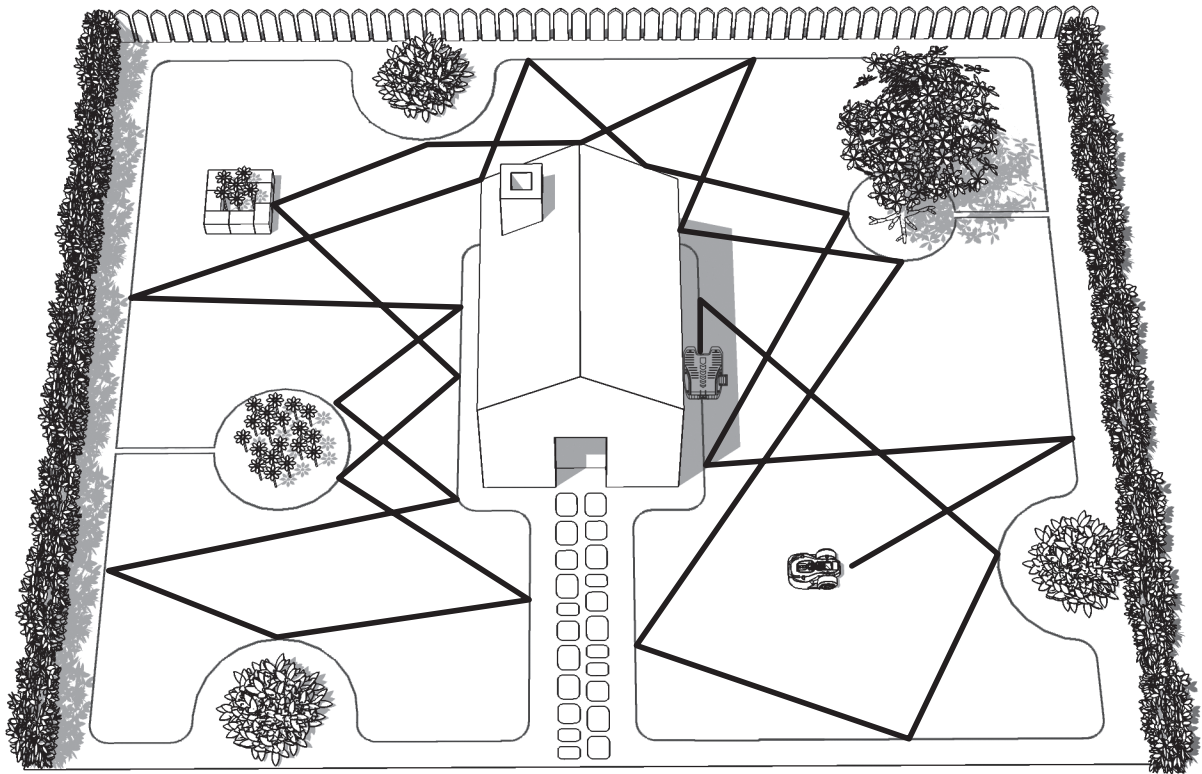
3. Understanding Your Landroid® L

We would like to congratulate you on your new purchase of the Landroid® L and entering into the care-free life of automatic mowing. In the following, we would like to help you better understand how your Landroid® L thinks.



3.1 How does my Landroid® L know what to mow?

The Landroid® L chooses its direction at random. It will make sure your entire lawn is evenly mowed without leaving behind any unattractive mowing paths (See Fig. A).



A

3.2 How does my Landroid®L know where to go?

Your Landroid®L is capable of doing things on its own. The Landroid®L knows when it needs to go to its Charging Base (3) to charge, can sense when it is raining, can stop itself if it senses a problem, and knows to stop, drawback, and then turn around when it bumps into something blocking its path or other object. The Landroid®L will also automatically stop its Blade Turning Disc (16) from rotating if it is lifted off the ground to prevent an accident.

A. Finding the Charging Base

When your Landroid®L needs to recharge, it will stop mowing and follow the Boundary Wire (23) in an anti-clockwise direction back to its Charging Base. Landroid®L is pre-programmed to mow the grass near the boundary wire once a week.

If you want to mow the grass near the boundary wire at other time, open the keypad window, press the home button and close the keypad window. Landroid®L will stop mowing, locate the boundary wire and mow the grass near the boundary wire while it locates the charging station. So if you want to mow the grass near the boundary wire, just press the home button and close the keypad window. We suggest you use this function when the battery power is more than 75%. You can check the battery power in the display.

B. Rain sensors

The Landroid®L is fitted with a Rain Sensor (12) at its rear that will detect rain drops and tell the Landroid®L to stop mowing and follow the Boundary Wire back to its Charging Base. (See Fig. B)


The Landroid®L is programmable to have a delay start function (0 – 180 mins) when it rains. When the rain sensors are wet, the Landroid®L returns to its docking station. Only when the rain sensors become dry will the Landroid®L begin the delay start countdown or return to mowing immediately. If you want to command your Landroid®L to go ahead and start mowing again before the time you have set under the “Rain start delay” function, then press the STOP Button (8), dry the Landroid®L off, and close the Keypad Window (9) to tell it to mow again. See the Programming and Troubleshooting Guide for more details.

C. Sensing the boundary wire

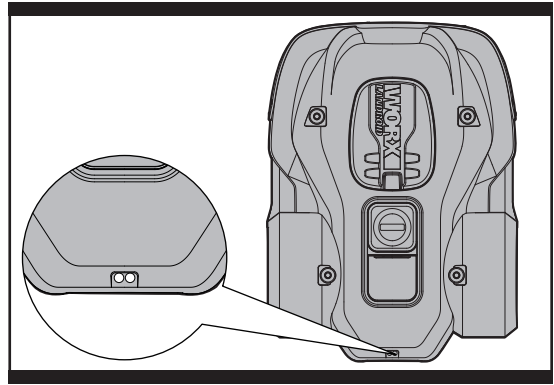
The Landroid®L always obeys the border set by the Boundary Wire and uses two sensors at its front to sense when it is getting close (See Fig. C). Before changing direction, the Landroid®L will overrun the Boundary Wire up to 25cm*.

*This is the recommended distance, because the Landroid®L cannot calculate the distance itself. Use the provided distance gauge to ensure proper installation.

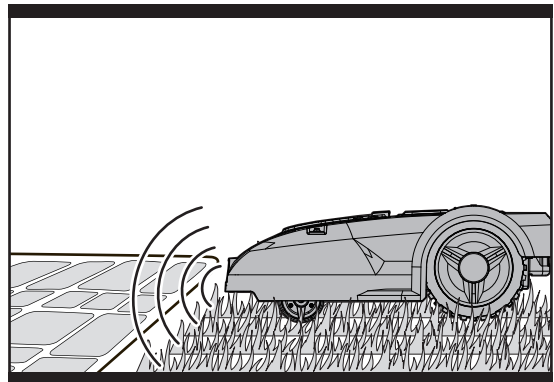
D. Starting and stopping while mowing

If you would like to command the Landroid®L to stop mowing, then simply press the STOP button (8) on top of the mower. When pressed, the Landroid®L will open its Keypad Window and await your further commands. It will not begin mowing again until you have press  and closed its Keypad Window. (See Fig. D, E)

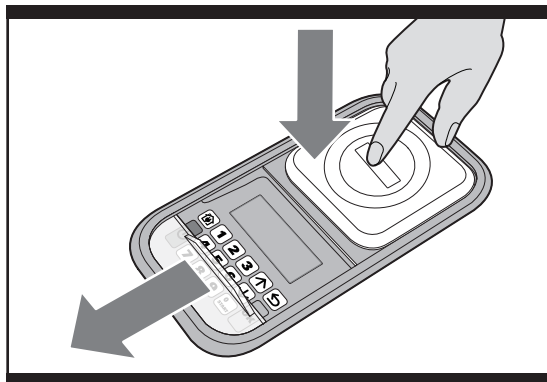
If the Landroid®L senses that something is wrong, it will display a fault message on the Display (20), and will turn itself off if it does not receive any input from the user within 20 min (for information on fault messages refer to the Programming and Troubleshooting Guide).



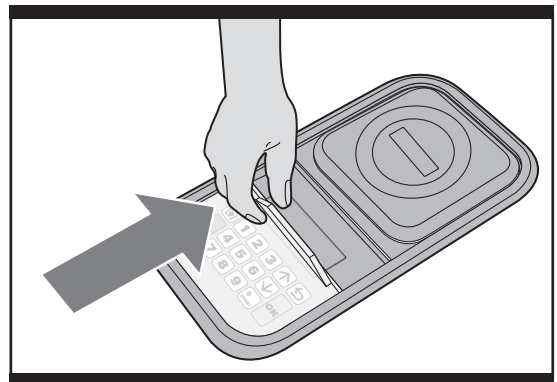
B



C





D





E

To resume:

Scene 1: STOP –Auto Shutdown after 20 mins

- Press the STOP Button
- Open the Keypad Window
- Press the ON/OFF Key (21) to ON
- Press  key to correct the problem
- Press  key again and Close the Keypad Window
- Now the Landroid®L will begin to mow!

Scene 2: STOP–Without Auto Shutdown

- Press the STOP Button
- Open the Keypad Window
- Press  key to correct the problem
- Press  key again and Close the Keypad Window
- Now the Landroid®L will begin to mow!

3.3 How big an area can my Landroid®L mow?

Your Landroid®L is capable of mowing areas of up to different size areas, although this depends on various factors, such as:

- Species of grass in your lawn and its growth rate
- Sharpness of the Blades (17)
- Humidity
- Surrounding temperature
- Amount of obstacles in your Lawn

If the surrounding temperature is very cold where you live then your Landroid®L may charge at a slightly slower rate. The Landroid®L uses less energy in open areas that have fewer obstacles, such as flower beds, fountains, walkways, etc...

You can find the default work time of Landroid®L for different lawn size in programming guide

Mowing times are different for every lawn depending on the factors mentioned previously. Gradually adjust the time you allow your Landroid®L to mow each day until you find the most suitable setting.

You can also program Landroid®L working time to suit your schedule – refer to Programming Guide.

3.4 How efficiently will my Landroid®L mow the grass?

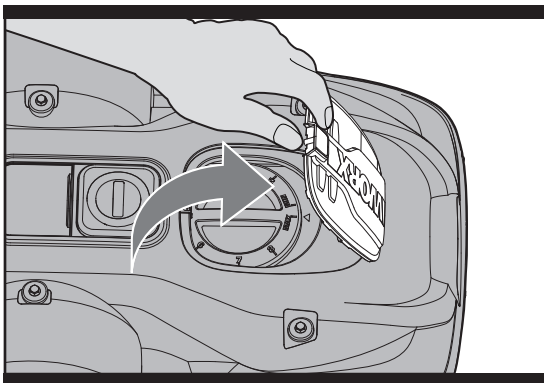
The Landroid®L's cutting height can be adjusted between 2cm - 6cm. Before starting your Landroid®L for the first time, you should cut the grass to the height not more than 9 cm. Then make sure you open the GRASS CUTTING HEIGHT ADJUSTMENT COVER (6) and set the cutting height to its maximum cutting height of 6cm (See Fig. F, G).

Your Landroid®L will cut its best in dry weather. It does not like wet grass, which can build up on the Blade Turning Disc (16) and within the motor, and can also cause loose traction and slippage while working.

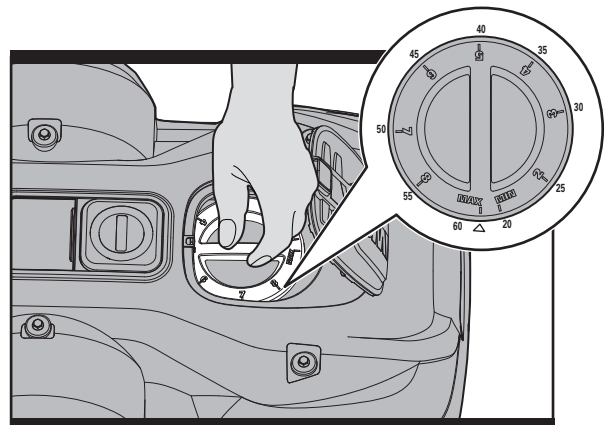
Your Landroid®L is afraid of Lightning Storms. In case of a Lightning Storm, protect the Landroid®L by unplugging the Charging Base (3), disconnecting the Boundary Wire (23), and making sure the Landroid®L is not allowed to charge.

Your Landroid®L loves mowing grass and requires the Cutting Blades (17) to be kept in good condition to cut its best. The Landroid®L can do most things by itself, but will need your help sometimes to prevent damage to itself.

- Never let the Landroid®L travel over gravel.
- Remove or prevent access to obstacles that the Landroid®L could accidentally climb and damage its Blade Disc on.
- Remove all debris and foreign objects from your lawn.



F



G

4. Boundary Wire Basics

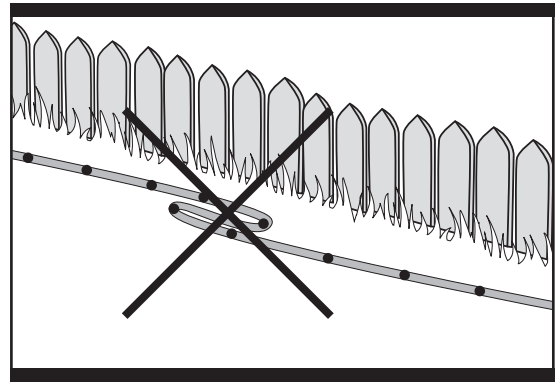
4.1 Pegging the Boundary Wire

Use the Boundary Wire Distance Gauge (26) to set the correct distance from the border of your lawn (More than 45cm *).

* This is the recommended distance. Use the provided distance gauge to ensure proper installation.

If your neighbor also uses a Landroid®L, then you must keep a spacing of at least 2 metres between your Boundary Wire and your neighbors.

Please be aware that your Landroid®L will not be able to receive a signal from the Boundary Wire beyond the distance of 25m.



The boundary wire must outline the intended mowing

area exactly. Your Landroid®L will become confused by extra bends or coils of Boundary Wire that are not part of its mowing area (See Fig. H). If there is excess Boundary Wire after the mowing area has been outlined, then cut it off and store this additional wire in a separate location. However, it is important to leave the necessary length where it connects to the Charging Base so it can be connected and still remain buried.

4.2 Burying the Boundary Wire

If you are planning to bury the Boundary Wire then it should be noted that when entering its Charging Base for the first time, your Landroid®L may find problems with the way you have laid the wire. It is recommended to first peg down the Boundary Wire to the lawn so it is easy to make adjustments if necessary. This will allow the Landroid®L to become adjusted to its new environment and ensures it will successfully work with the charging base before the Boundary Wire is buried.

When you have completed installing the boundary wire, it is recommended that you ask Landroid®L to follow the boundary wire by pressing the home button.

Whilst observing Landroid®L locating the charging station you can then make alterations to the boundary wire route to ensure trouble free tracking of the boundary wire by Landroid®L when locating the charging station.

4.3 Joining the Boundary Wire

The Boundary Wire (23) can be extended simply by splicing the ends and connecting it to the ends of another piece of wire. You can use insulating tape to secure the joined part of the wire. (See Fig. I)

4.4 Turn on and test installation

If the charger base LED does not come on, then check the power connections.

If the charger base LED is flashing green, check if the boundary wire is connected correctly.

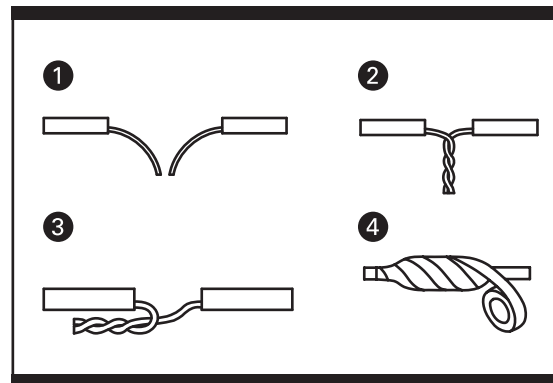
Red light on: charging.

Red light flashing: error message, refer to Trouble Shooting and correct the problems.

Green light flashing: check if the boundary wire is connected correctly.

When the green light on the charging base is on, place your Landroid®L over the boundary wire, if Landroid®L follows the boundary it is connected correctly.

If your Landroid®L is inside its territory but the display says "Outside working area" and the LED is on, it means you clamped the boundary wire ends incorrectly. Just reverse them.



5. Software update

Your Landroid®L software can be updated when new versions become available. The software version will be displayed in the bottom right hand corner of the display. The manual in box is based on the default software in the mass production. Some new features/ functions in the new version may not exist in the manual. If you found some settings not in the manual, please visit www.worxlandroid.com to download the latest manual. You can check the software version installed on your machine by pressing the ON/OFF button.

The latest software can be downloaded from our website – see below download and installation instructions;

Step 1: Locate the latest software version at: www.worxlandroid.com. Copy the “.bin” file containing the latest software version to a USB memory stick.

NOTE: before transferring the “.bin” file make sure the memory stick does not contain other files or data.

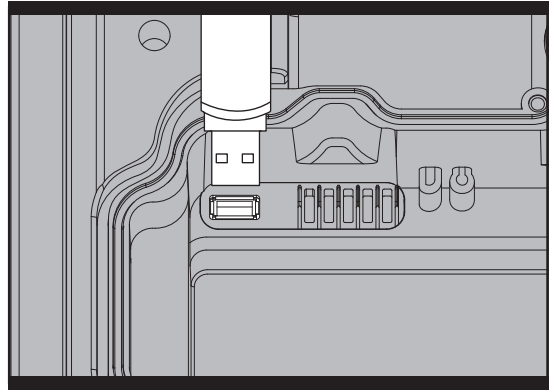
Step 2: Open the cover at the bottom and remove the battery and then insert the U disk to the USB port. (See Fig. J1)

Step 3: Insert the battery pack and press the ON/OFF button for ten seconds until the mower is powered ON. The new software version will be displayed in the bottom right corner of the display. (See Fig. J2)

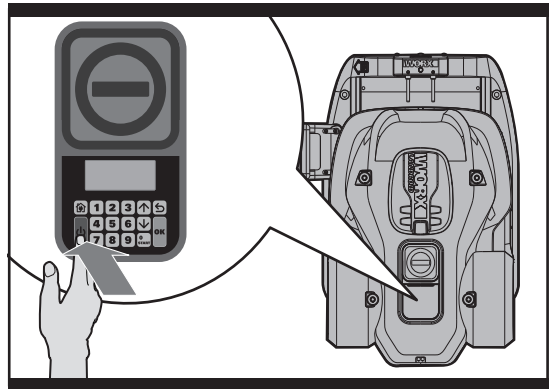
Step 4: Remove the memory stick and refit the battery cover.

Step 5: After installing the new software you will need to reset the diagnostic panel on your mower. Firstly, position the mower on a horizontal surface.

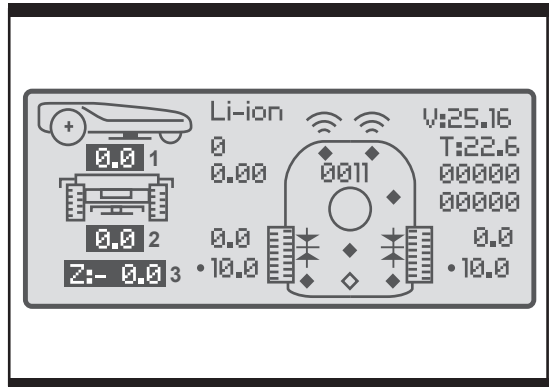
Press Key “2” to enter the diagnosis interface, and press Key “5” for a few seconds until the three numbers 1 2 & 3 highlighted below turn back to zero. (See Fig. J3)



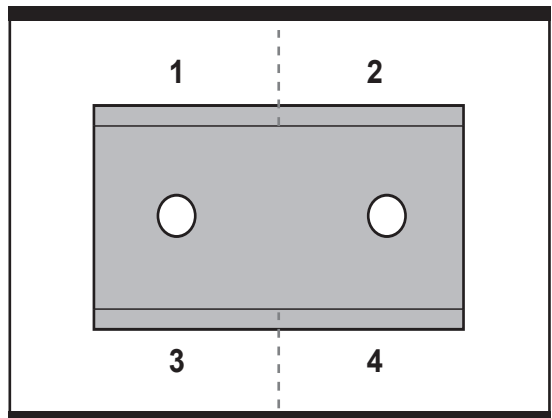
J1



J2



J3



K

6. Maintenance

Your Landroid®L needs to be checked from time to time. The Landroid®L works hard and after time needs a good cleaning as well as to have its parts replaced, as they can become worn. In the following we want to let you know how to take care of your Landroid®L.

6.1 Keep it Sharp



WARNING: Before cleaning, adjusting, or replacing the Blades, turn your Landroid®L OFF by pressing the ON/OFF Button to OFF and put on protective gloves.



WARNING! When fitting new blades, make sure you replace ALL the blades. Always use new screws when fitting blades. This is important to ensure blade retention. Failure to use new screws could cause serious injury.

The Landroid®L does not cut grass like other mowers. Its Blades (17) are razor sharp on all 4 edges and spin in both directions for maximum cutting capacity (See Fig. K). Each blade of your Landroid®L has 4 cutting edges. Depending on the frequency the Landroid®L mows your lawn, the cutting blades will need to be flipped/rotated periodically for a new cutting edge. If your Landroid®L is programmed to mow the lawn every day then the cutting blades will need to be rotated monthly for the best mowing results. Each cutting blade will last up to 4 months when it is programmed to mow every day. When the cutting blades are dull and worn out, they should be replaced with the spare blades provided with your Landroid®L. Spare blades are also available at your nearest WORX retailer.

A. Rotate and Flip the Blades

Your Landroid®L carries the Blades that are all screwed onto the Blade Disc (16). The Blades allow the Landroid®L to do its job and need care and attention. Every once in awhile, you should simultaneously rotate and flip all blades for a perfect cut. When rotating and flipping the Blades, make sure all the Blades are adjusted at the same time or else it could make the Blade Disc off balance. If your Landroid®L mows on a normal schedule (daily) then the Blades should last one season if they are rotated and flipped every month. Always check to see if the Blades are chipped or damaged and replace them if they are.

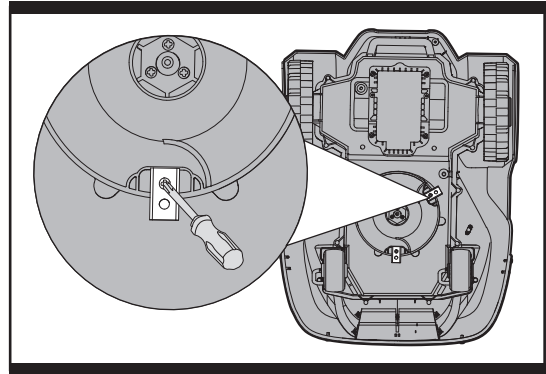
B. Replace the Blades (See Fig. L)

After some time, usually every season, your Landroid®Ls Blades will need to be replaced. Your Landroid®L does not like mowing while using Blades of different age and quality. So when replacing the Blades, make sure to replace all of them at the same time. You can replace them with one of the three spare Blade kits and extra Blade screws supplied with your Landroid®L.

Before attempting to replace your Landroid®Ls Blades, turn the power off and put on protective gloves. Then follow these steps:

1. Gently flip the Landroid®L over
2. Remove the battery cover and remove the battery.
3. Take the screws off the Blades with a screwdriver
4. Firmly screw on the new Blades
5. Refit the battery and battery cover.

IMPORTANT: After screwing the Blade to the Blade Disc, make sure the Blade is able to spin freely.



L

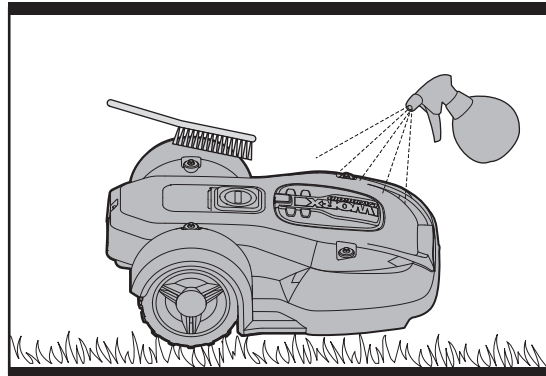
6.2 Keep it Clean



WARNING! Before cleaning turn your Landroid®L OFF by pressing the ON/OFF Button to OFF. Put on protective gloves before cleaning the Blade Disc (16) and do not use running water. (See Fig. M)

A. Cleaning the Body

Your Landroid®L will live a much happier and longer life if it is cleaned regularly. Although, as your Landroid®L is an electric machine, you will need to take care when cleaning, so DO NOT use a hose, high pressure washers or otherwise pour running water on your Landroid®L, it is best to use a spray bottle filled with water. When cleaning the machine body use a soft brush or clean cloth and avoid using solvents or polishes (See Fig. M). Lastly, make sure that you remove all build up of grass clippings and debris.



M

B. Cleaning the Underside

Again, it is important that you power the Landroid®L OFF using the ON/Off Button and wear protective gloves before touching the Blade Disc (16).

First, flip your Landroid®L upside down to expose its underside. Here you will see the Blade Disc the Main Housing (14), and the Front (18) and Drive (11) Wheels. Clean everything thoroughly with a soft brush or moist rag cloth.

Rotate the Blade Disc to ensure it rotates freely. Check the blades spin freely around the fixing screws. Remove any obstructions.

IMPORTANT: Remove any lodged debris so that it does not cause a crack in the Blade Disc. Even the tiniest crack can decrease your Landroid®L mowing output.

C. Clean the contact pins and the charging strips

Clean the Contact Pins (2) located on the Charging Base (3) and the Charging Strip (5) located on the Landroid®L using a cloth. Remove any build up of grass clippings and debris around the contact pins and charge strips periodically to ensure the Landroid®L successfully charges each time.

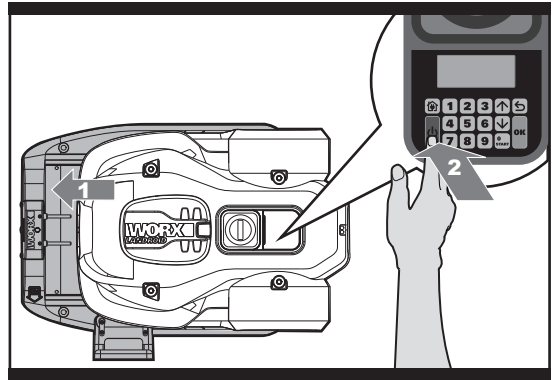
6.3 Battery Life

The heart of the Landroid®L is its 28-volt lithium-ion battery. No maintenance is required. For proper storage of the battery, make sure it is fully charged in kept in a cool dry place between (20°C-60°C).

The life-span of the Landroid®Ls battery depends on various factors, such as:

- The time span of the mowing season in your region.
- Amount of hours the Landroid®L mows per day.
- Battery maintenance during storage.

Landroid®L can be charged manually without the boundary wire.(See Fig.N)



N

To manually charge the battery without connecting the boundary wire to the charging base;

- 1. Connect the Charging Base to a suitable power supply.**
- 2. Manually dock the Landroid®L into the Charging Base while the Landroid®L is powered off.**
- 3. The charging base red light will turn on.**
- 4. Within 3 seconds and before the charging base light turns green, press the Landroid®L power ON/OFF button.**
- 5. Close the Keypad Window and Landroid®L will begin to charge.**

6.4 Winter Hibernation

Your Landroid®L will live longer and healthier if it is allowed to hibernate. So even though it is tough, we would recommend that you store your Landroid®L in your shed or garage during the winter. Before you prepare your Landroid®L for winter hibernation, we recommend you:

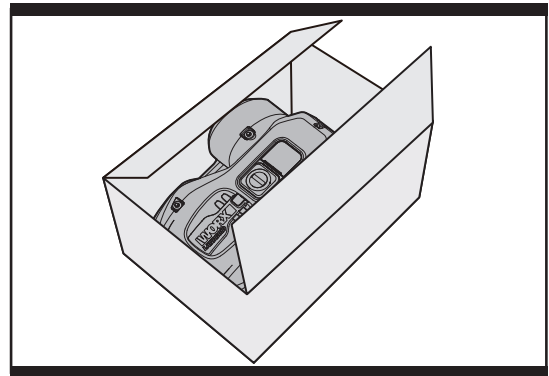
- Thoroughly clean your Landroid®L.
- Fully charge the battery.
- Turn the mower off.

The battery should be fully charged one time during winter to keep it in the best possible health for next season.

When storing, lay the Landroid®L flat on all four wheels in a dry place away from temperature extremes. It is suggested to store your Landroid®L in its original box. It is best to put the Charging Base, Low Voltage Cable (4), and Transformer (22) indoors over the winter season as well. (See Fig. O)

The Boundary Wire can be left in the ground although its ends should be protected, such as placed in a tin can with grease. If the Charging Base is left outside for winter, leave the Boundary Wire connected.

NOTE: When bringing the Landroid®L back to life after winter hibernation, make sure the Charging Strips (5) and Contact Pins (2) are clean, it is best to use a fine grade emery cloth. Then make sure the date and time are correct and send the Landroid®L back to what it loves doing: mowing.



O

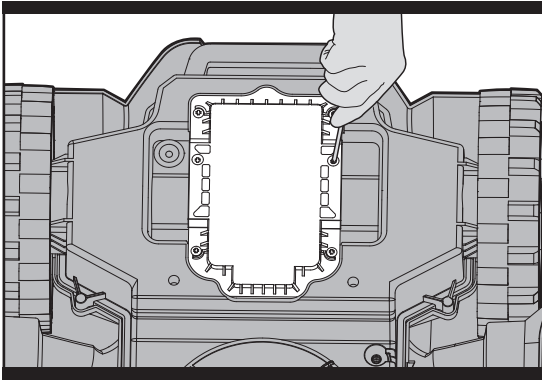
6.5 Replacing the Battery



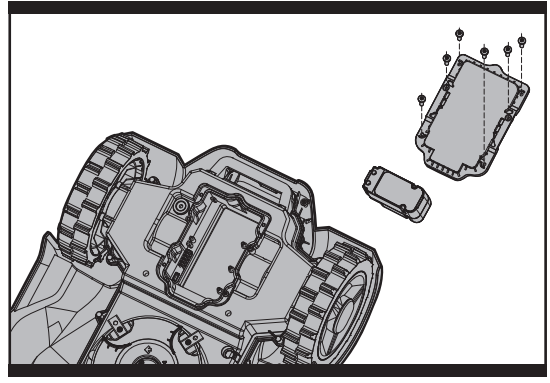
WARNING! Press the ON/OFF Key to OFF before attempting any adjustment, replacement or repair.

If you need to replace the Battery, follow these steps:

1. Gently Turn your Landroid®L upside down.
2. Remove the six screws on the battery cover. (See Fig. P)
3. Take out the old battery. (See Fig. Q)
4. Put in the new battery.
5. Firmly replace the 6 screws.



P



Q

Environmental Protection



Waste electrical products should not be disposed of with household waste. Please recycle where facilities exist. Check with your Local Authority or retailer for recycling advice.

Plug Replacement (UK & Ireland Only)

If you need to replace the fitted plug then follow the instructions below.

IMPORTANT

The wires in the mains lead are colored in accordance with the following code:

Blue - Neutral

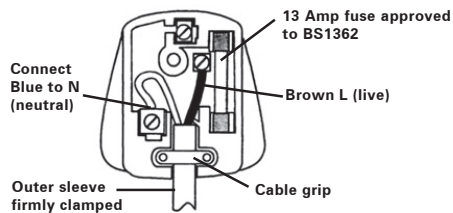
Brown - Live

As the colors of the wires in the mains lead of this appliance may not correspond with the coloured markings identifying the terminals in your plug, proceed as follows. The wire which is coloured blue must be connected to the terminal which is marked with N. The wire which is coloured brown must be connected to the terminal which is marked with L.



WARNING: Never connect live or neutral wires to the earth terminal of the plug. Only fit an approved BS1363/A plug and the correct rated fuse.

NOTE: If a moulded plug is fitted and has to be removed take great care in disposing of the plug and severed cable, it must be destroyed to prevent engaging into a socket.



ORIGINAL BRUGSANVISNING

INDHOLDSFORTEGNELSE

1. Sikkerhedsvejledninger	17
1.1 Generelle og særlige sikkerhedsvejledninger	17
1.2 Oplysninger om din Landroid®L	19
2. Komponentliste	20
3. Lær din Landroid®L at kende	22
3.1 Hvordan ved min Landroid®L hvilke græsområder, den skal slå?	22
3.2 Hvordan ved min Landroid®L hvor den skal køre hen?	23
A. Sporing til opladestationen	23
B. Regn-sensorer	23
C. Sporing af grænsekablet	23
D. Start og standsning under kørsel	23
3.3 Hvor stor en græsplæne kan min Landroid®L slå?	24
3.4 Hvor effektivt vil min Landroid®L slå min græsplæne?	24
4. Grundlæggende om grænsekablet	25
4.1 Fastgørelse af grænsekablet til jorden	25
4.2 Nedgravning af grænsekablet	25
4.3 Sammenspænding af grænsekablet	25
4.4 Opstart og test af installationen	25
5. Software opdatering	26
6. Vedligeholdelse	26
6.1 Hold den skarp	26
A. Drejning og vending af klingerne	27
B. Udskiftning af klingerne	27
6.2 Hold den ren	27
A. Rengøring af karosseriet	27
B. Rengøring af undersiden	27
C. Rengør kontaktpladerne og opladekontakterne	27
6.3 Batteriliv	28
6.4 Vinterdvale	28
6.5 Udskiftning af batteriet	28

1. Sikkerhedsvejledninger

1.1 Generelle og særlige sikkerhedsvejledninger

 **ADVARSEL: Læs alle sikkerhedsadvarslerne og alle vejledningerne. Følges advarslerne og instruktionerne ikke, kan det føre til elektrisk stød, brand og/eller alvorlig personskade.**

Læs alle vejledningerne omhyggeligt, så denne maskine betjenes på en sikker måde.

Gem alle advarsler og vejledninger til senere brug.

- Dette apparat er ikke beregnet til brug af personer (herunder børn), med begrænsede fysiske, sensoriske eller mentale evner, eller personer med manglende erfaring eller viden, medmindre de er blevet vejledt eller instrueret i hvordan apparatet bruges, af en person med ansvar for deres sikkerhed.
- Børn skal være under opsyn, for at sikre de ikke leger med apparatet.
- Apparatet må kun anvendes sammen med den leverede strømforsyningsenhed.

VIGTIGT

LÆS FORSIGTIGT FØR BRUG

BEHOLD TIL SENERE BRUG

SIKKER BRUGSPRAKSIS

Brugsoplysninger

- a) Læs instruktionerne omhyggeligt. Sørg for, at du forstår vejledningerne, og at du er bekendt med betjeningsknapperne og hvordan apparatet bruges ordentligt.
- b) Lad aldrig personer, som ikke er bekendte med disse vejledninger, eller børn bruge apparatet. Den lokale lovgivning kan begrænse alderen på brugeren.
- c) Brugeren er ansvarlig for mulige uheld og farlige situationer for andre personer og deres ejendom.

Forberedelse

- a) Sørg for, at områdeafgrænsningen udføres korrekt, som beskrevet i vejledningerne.
- b) Efterse regelmæssigt områder, hvor apparatet skal bruges, og fjern alle sten, pinde, ledninger, knogler og andre genstande.
- c) Efterse regelmæssigt skæreklingen, boltene og samlingerne, og sørg for at de ikke er nedslidte eller beskadigede. Udskift nedslidte eller beskadigede skæreklinger og bolte i sæt, så du bibeholder balancen.
- d) På apparater med flere aksler, skal du være forsigtig når du drejer klingen, da den anden kan ske også at dreje.
- e) **ADVARSEL:** Brug aldrig apparatet med ødelagte skærme, eller uden at sikkerhedsanordningerne.

BETJENING

1. GENERELT

- a) Brug aldrig apparatet med ødelagte skærme, eller uden at sikkerhedsanordningerne, så som afvigelsesskærmene, er på plads.
- b) Put ikke hænderne eller fødderne under drejende dele. Sørg altid for, at holde dig væg fra udstødningsåbningen.
- c) Saml ikke ting op, eller bær på ting, mens apparatets motor kører.
- d) Betjen afbrydningsfunktionen fra applikationen.
 - Før du renser maskinen for blokerende elementer.
 - Før du efterser, rengøre eller arbejder på apparatet.
- e) Det er ikke tilladt, at ændre på græsslåmaskinens originale design. Alle ændringer som laves er på dit eget ansvar.
- f) Start græsslåmaskinen som beskrevet i vejledningerne. Når kontakten står på ON (tændt), skal du sørge for at holde dine hænder og fødder væk fra de drejende klinger. Put aldrig dine hænder eller fødder under græsslåmaskinen.
- g) Du må aldrig løfte græsslåmaskinen, eller bære rundt på den, mens kontakten står på ON (tændt).
- h) Lad ikke personer, som ikke ved hvordan græsslåmaskinen virker og opfører sig, bruge den.
- i) Undgå, at stille ting oven på græsslåmaskinen eller dens opladestation.
- j) Undgå, at bruge græsslåmaskinen med en ødelagt klinge eller karrusseri. Og den må heller ikke bruges med ødelagte klinger, skruer, møtrikker eller kabler.
- k) Sluk altid for græsslåmaskine-robotten, når du ikke har i sinde at bruge robotten. Græsslåmaskine-robotten kan kun starte, når kontakten er tændt og den korrekte PIN-kode er indtastet.

2. NÅR APPARATET BRUGES AUTOMATISK

- a) Efterlad ikke maskinen i brug uden opsyn, hvis du ved der er kæledyr, børn eller andre personer i nærheden.

VEDLIGEHOLDELSE OG OPBEVARING

 **ADVARSEL! Når græsslåmaskinen er vendt på hovedet, skal kontakten altid stå på OFF (slukket).**

Kontakten skal hele tiden stå på OFF (slukket), når der arbejdes på græsslåmaskinens underside, f.eks. når du skal rengøre eller skifte klingerne.

- a) Sørg for, at alle møtrikker, bolte og skruer sidder ordentlig fast, så du sikre at apparatet er sikker stand.
- b) Efterse græsslåmaskinen hver uge, og skift nedslidte eller ødelagte dele.

- c) Kontroller, at klingerne og klingskiven ikke er beskadigede. Skift alle klinger og skruer på samme tid, så de drejende dele er balancerede.
- d) Sørg for, at du udskifter skæreelementerne med den rigtige type.
- e) Sørg for, at batterierne oplades med den rigtige oplader, som er blevet anbefalet af producenten. Forkert brug kan føre til elektrisk stød, overophedning eller udslip af ætsende væsker fra batteriet.
- f) I tilfælde af udslip af elektrolyt, skal du skylle med vand/neutraliserende middel, og søg lægehjælp hvis det kommer i kontakt med dine øjne.
- g) Reparation af apparatet skal ske i henhold til producentens vejledninger.

Transport

Når græsslåmaskinen skal transporteres over længere afstande, skal du bruge originalemballagen.

Sådan flyttes græsslåmaskinen sikker fra eller indenfor arbejdsområdet:

- a) Tryk på STOP knappen for at standse plæneklipperen.
- b) Du vælger den firecifrede PIN-kode, når du starter plæneklipperen første gang.
- c) Stil kontakten på OFF (slukket), hvis du har i sinde at bære på græsslåmaskinen.
- d) Løft græsslåmaskinen i bærehåndtaget bagpå undersiden. Løft græsslåmaskinen med klingskiven væk fra kroppen.



Sikkerhedsforskrifter til batterisæt

- a) Sekundærelementer eller batterisæt må ikke skilles ad, åbnes eller knuses.**
- b) Et batterisæt må ikke kortsluttes. Batterisæt må ikke opbevares lemfældigt i en kasse eller skuffe, hvor de kan kortslutte hinanden eller kortsluttes af ledende genstande.** Når batterisættet ikke er i brug, skal det holdes væk fra andre metalgenstande, såsom papirclips, mønter, nøgler, søm, skruer eller andre små metalgenstande, der kan skabe en forbindelse fra en pol til en anden. Kortslutning af batteripoler kan medføre forbrændinger eller brand.
- c) Batterisæt må ikke udsættes for varme eller ild. Må ikke opbevares i direkte sollys.**
- d) Batterisæt må ikke udsættes for mekaniske stød.**
- e) I tilfælde af at et batteri lækker, må væsken ikke komme i kontakt med huden eller øjne. Hvis der er sket kontakt, skal det berørte område vaskes med rigelige mængder vand, hvorefter der søges lægehjælp.**
- f) Søg straks lægehjælp, hvis et element eller batterisæt er nedsvælget.**
- g) Opbevar batterisæt på et rent og tørt sted.**
- h) Batterisæt yder mest optimalt, når de anvendes ved normal stuetemperatur (20°C ± 5°C).**
- i) Ved bortskaffelse af batterisæt, skal batterisæt af forskellige elektrokemiske systemer holdes adskilte fra hinanden.**
- j) Genoplad kun med laderen specificeret af WORX. Anvend ingen anden oplader end den, der specifikt er beregnet til brug med udstyret.** En oplader, der passer til en type batterisæt kan skabe risiko for brand ved brug med et andet batterisæt.
- k) Brug kun det korrekte batteri til udstyret.**
- l) Batterisættet skal opbevares utilgængeligt for børn.**
- m) Opbevar den originale produktliteratur til fremtidig brug.**
- n) Bortskaffes på en miljørigtig måde.**

1.2 Oplysninger om din Landroid®L



ADVARSEL - Robotplæneklippere kan være farlige, hvis de ikke bruges korrekt.

Læs betjeningsvejledningen omhyggeligt igennem og forstå indholdet, inden du bruger robotplæneklipperen.



ADVARSEL - Sørg for, at holde en sikker afstand fra maskinen når den er i brug.



ADVARSEL - Betjen inaktiveringsmekanismen, inden du arbejder med eller løfter maskinen



ADVARSEL - Du må ikke ride på maskinen.



Må ikke brændes



Batterier kan påvirke vandmiljøet, hvis de ikke bortskaffes korrekt, hvorved de kan udgøre en fare for økosystemet. Bortskaf ikke batterierne som almindeligt affald.



Batterier skal genbruges. Smid ikke udtjente batterier ud som usorteret husholdningsaffald

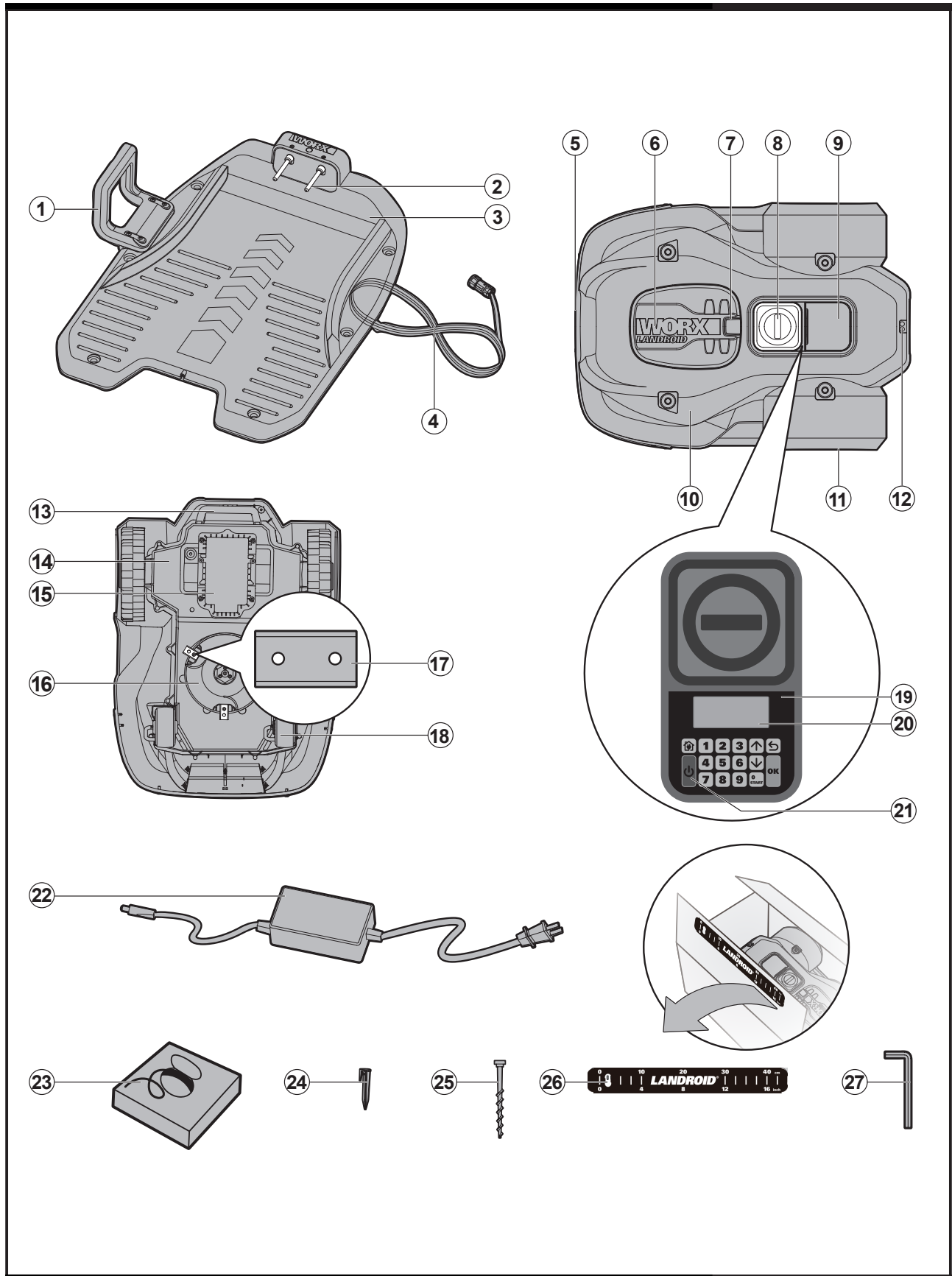


Du må ikke spule maskinen med trykspuler.



Elektrisk affald må ikke smides ud sammen med dit almindelige husholdningsaffald. Du bedes venligst genbruge affaldet hvis muligt. Forhør dig hos din lokale kommune eller din forhandler vedrørende genbrug.

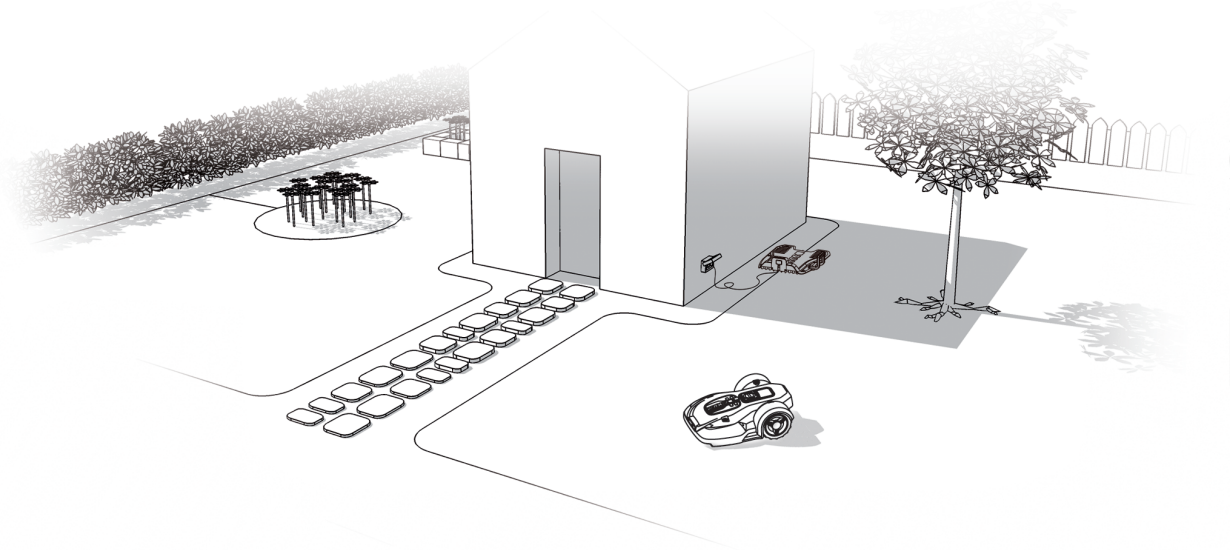
2. Komponentliste



-
- 1. HÅNDTAG**
 - 2. KONTAKTBEN**
 - 3. OPLADEBASE**
 - 4. LAVSPÆNDINGSKABEL**
 - 5. OPLADESTIK**
 - 6. KLIPPEHØJDEJUSTERING**
 - 7. ADGANGSPUNKT - TIL AT ÅBNE HØJDEINDSTILLINGSDÆKSLET**
 - 8. STOP-KNAP**
 - 9. TASTATUR-VINDUE**
 - 10. LANDROID DÆKSEL**
 - 11. BAGERSTE DRIVHJUL**
 - 12. REGN-SENSOR**
 - 13. HÅNDTAG**
 - 14. KABINET- INDEHOLDER MOTOR, ELEKTRONIK OG BATTERI**
 - 15. BATTERIPAKKE**
 - 16. DREJESKIVE TIL KLINGE**
 - 17. KLINGE**
 - 18. FORHJUL**
 - 19. TASTATUR**
 - 20. SKÆRM**
 - 21. TÆND/SLUK-KNAP**
 - 22. STRØMADAPTER**
 - 23. GRÆNSEKABEL**
 - 24. PLØKKER S**
 - 25. SKRUER TIL OPLADEBASEN**
 - 26. AFSTANDSMÅLER TIL GRÆNSEKABEL**
 - 27. UNBRAKONØGLE**
-

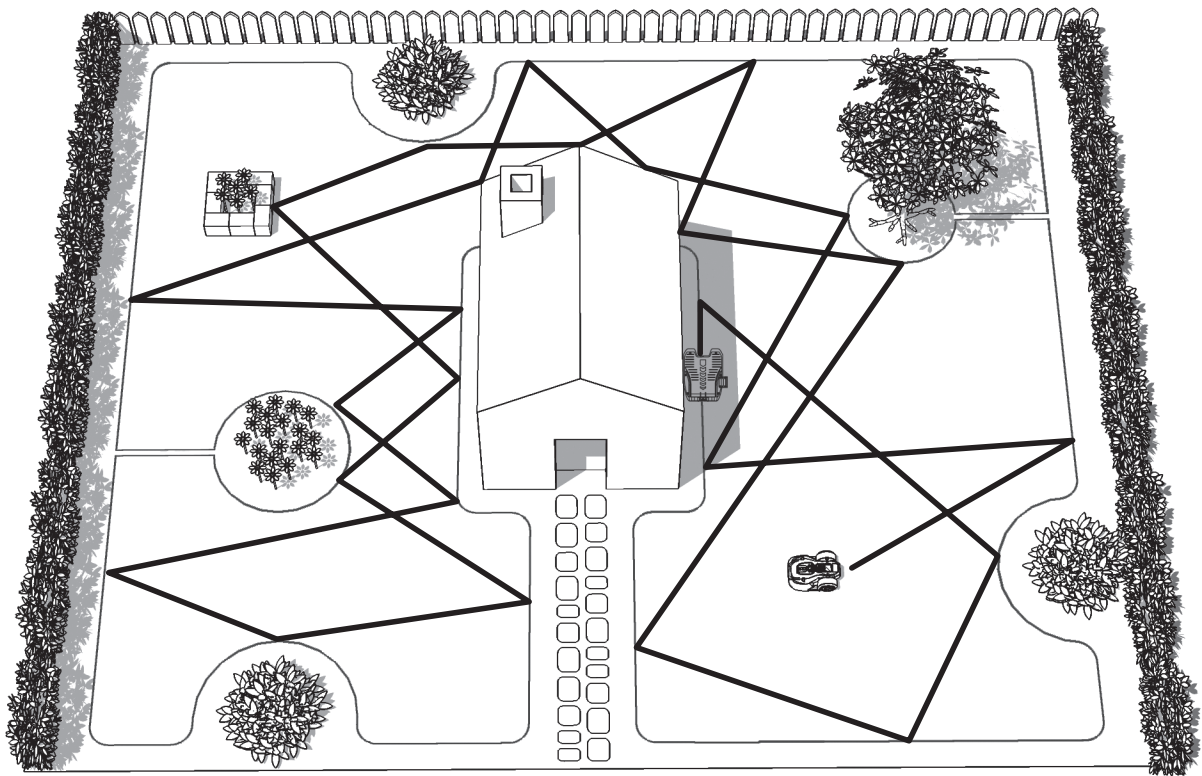
3. Lær din Landroid®L at kende

Tillykke med købet af din nye Landroid®L græsslåmaskine, og velkommen til det sorgløse liv med automatisk græsslåning. I følgende afsnit hjælper vi dig med, at forstå hvordan din Landroid®L tænker.



3.1 Hvordan ved min Landroid®L hvilke græsområder, den skal slå?

Landroid®L vælger retning vilkårligt. Den sørger for at slå din plæne jævnt uden at efterlade grimme slåbaner (Se Fig. A).



A

3.2 Hvordan ved min Landroid®L hvor den skal køre hen?

Din Landroid®L er i stand til at gøre tingene selv. Landroid®L ved selv, når den har brug for at køre til ladestationen (3) for at lade op, den kan mærke, når det regner, den kan stoppe af sig selv, hvis den registrerer et problem, og den forstår at stoppe, bakke og dreje omkring, hvis den støder ind i noget på dens vej eller en anden genstand. Landroid®L vil automatisk standse den roterende skive med knive (16), hvis robotten løftes op fra jorden for at udgå ulykker.

A. Spring til opladestationen

Når din Landroid®L skal genoplades, holder den op med at slå græsset, hvorefter den følger grænsekablet (23) rundt mod uret tilbage til dens opladestation. Landroid®L er forprogrammeret til at slå græsset nær afgrænsningskablet en gang om ugen. Hvis du ønsker at slå græsset nær afgrænsningskablet på andre tidspunkter, skal du åbne tastaturvinduet ved at trykke på hjem-knappen og lukke tastaturvinduet. Landroid®L vil standse græsslåningen, finde afgrænsningskablet og slå græsset nær afgrænsningskablet mens den lokaliserer ladestationen. Så hvis du vil slå græsset nær kantråden, skal du derfor blot trykke på hjem-knappen og lukke tastaturvinduet. Vi anbefaler dig at bruge denne funktion, når batteriets opladning er på mere end 75%. Du kan kontrollere batteriets opladningstilstand på skærmen.

B. Regn-sensorer

Din Landroid®L er udstyret med en regn-sensor (12), som mærker hvis det regner og beder herefter græsslåmaskinen om at stoppe, og følge grænsekablet tilbage til opladestationen (Se Fig. B).


Din Landroid®L is kan programmeres til, at starte på et senere tidspunkt (0-180min) når det regner. Når regn-sensorerne bliver våde, kører din Landroid®L tilbage til dens station. Først når regn-sensorerne er tørre, begynder nedtællingen til forsinket start eller den går straks tilbage til at slå græsset. Hvis du vil bede din Landroid®L om at begynde igen før tiden, som du har sat under "Forsink start under regn" funktionen, er udløbet, skal du trykke på STOP- knappen (8), tør græsslåmaskinen af og luk for tastatur-vinduet (9), hvorefter den begynder igen. Se programmerings- og fejlfindingsguiden for yderligere oplysninger.

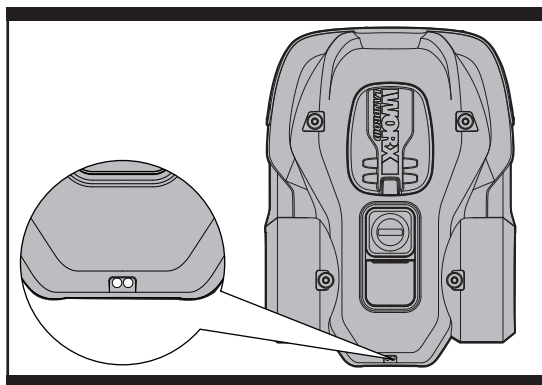
C. Spring af grænsekablet

Din Landroid®L overholder altid grænsen, som er sat af grænsekablet, og den bruger to sensorer foran, til at mærke når den kommer tættere på. (Se Fig. C) Din Landroid®L kører op til 25cm* over grænsekablet, før den skifter retning).

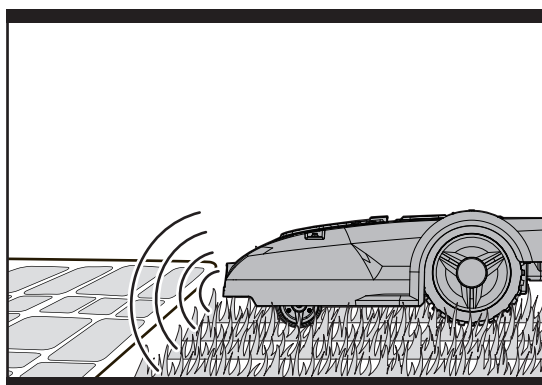
* Dette er den anbefalede afstand., da din Landroid®L ikke selv kan beregnet afstanden. Brug den medfølgende afstandsmåler, så installationen udføres korrekt.

D. Start og standsning under kørsel

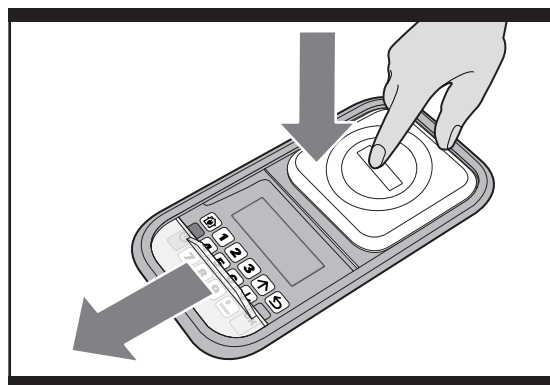
Hvis du ønsker at din Landroid®L skal holde op med at slå græsset, skal du blot trykke på STOP-knappen (8) oven på maskinen. Når du trykker på knappen, åbner din Landroid®L dens tastatur-vindue, og vender på din kommando. Den vil ikke begynde at slå igen, før du har trykket på  og lukket dens tastatur-vindue. (Se Fig. D,E)



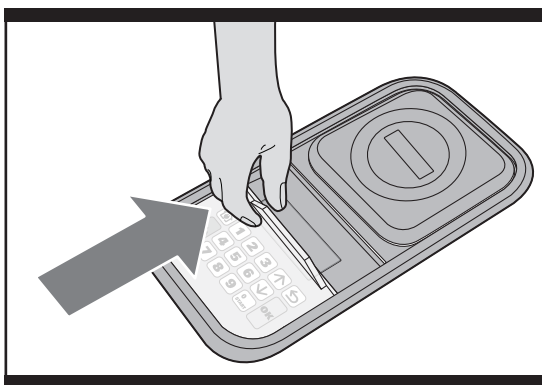
B



C



D




E



Hvis din Landroid®L fornemmer der er noget galt, viser den en fejlmeddelelse på skærmen (20), hvorefter den slukker sig selv, hvis den ikke modtager et signal fra brugeren inden for 20 min (for yderligere oplysninger om fejlmeddelelser bedes du venligst se programmerings- og fejlfindingsguiden).

For at starte maskinen igen:

Scene 1: STOP-automatisk nedlukning efter 20 minutter

- Tryk på STOP- knappen
- Åbn dens tastatur-vindue
- Sæt TÆND/SLUK-tasten (21) til ON
- Tryk på  - tasten for at korrigere problemet.
- Tryk igen på  - tasten og luk tastatur-vinduet
- Herefter begynder din Landroid®L at køre igen!

Scene 2: STOP- uden automatisk nedlukning

- Tryk på STOP- knappen
- Åbn dens tastatur-vindue
- Tryk på  -tasten for at korrigere problemet.
- Tryk igen på  -tasten og luk tastatur-vinduet
- Herefter begynder din Landroid®L at køre igen!

3.3 Hvor stor en græsplæne kan min Landroid®L slå?

Din Landroid®L er i stand til, at slå en græsplæne på op til forskellige arealstørrelser, men dette afhænger af forskellige faktorer, såsom:

- Græstypen i din græsplæne, og hvor hurtigt græsset gror
- Hvor skarpe klingerne er (17)
- Fugtigheden
- Den omgivne temperatur
- Antallet af forhindringer på græsplænen

Hvis den omgivende temperatur er meget høj, der hvor du bor, vil din Landroid®L muligvis tage lidt længere tid om at oplade. Din Landroid®L bruger mindre strøm på åbne områder, hvor der er færre forhindringer, såsom blomsterbed, springvand, gangstiger osv.

Du kan finde standard arbejdstid for Landroid®L for forskellige græsplænestørrelse i programguiden

Tiden det tager at slå græsset er forskellig fra plæne til plæne, afhængig af tidligere nævnte faktorer. Justér gradvist hvor lang tid du lader din Landroid®L slå græsset hver dag, indtil du finde en passende indstilling.

Du kan også programmere Landroid®L s arbejdstider, så de passer til dine planer – se i Programmeringsvejledningen.

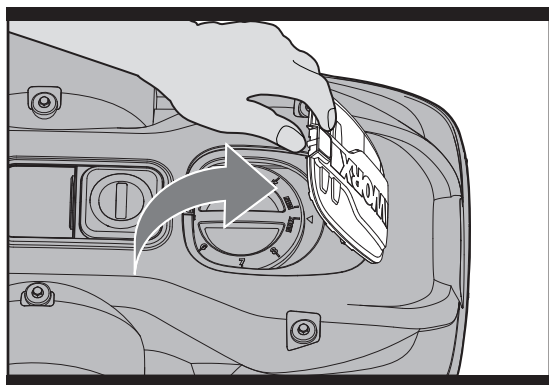
3.4 Hvor effektivt vil min Landroid®L slå min græsplæne?

Din Landroid®L's klippehøjde kan justeres fra 2cm – 6cm. Før du bruger din Landroid®L for første gang, bør du først klippe græsset til en højde på ikke mere end 9 cm. Sørg derefter for at du åbner GRÆSKLIPPEHØJDEJUSTERINGS DÆKSLET (6) og stil klippehøjden på din Landroid®L til dens maksimale længde på 6cm. (Se Fig. F, G).

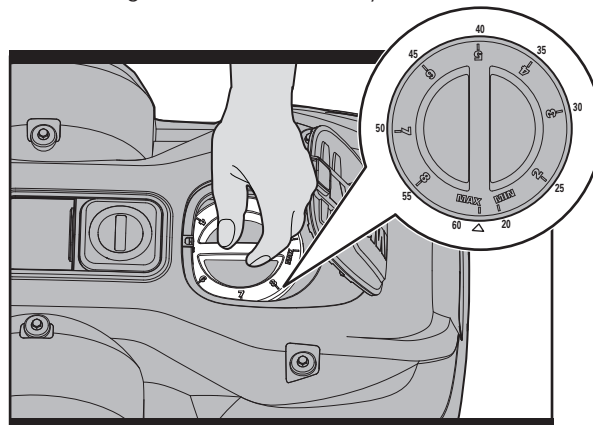
Din Landroid®L klipper bedst i tørt vejr. Den bryder sig ikke om vådt græs, som kan hobe sig op på den roterende skive (16) og inde i selve motoren, og som også kan forårsage dårlig trækraft og skridning under arbejdet.

Din Landroid®L er bange for lyn og torden. I tilfælde af lyn- og tordenvejr, skal du beskytte din Landroid®L ved at trække stikket ud af opladestationen (3), afbryd grænsekablet (23) og sørg for at din Landroid®L ikke oplader.

Din Landroid®L elsker at slå græs og har behov for, at knivene (17) bliver holdt i god stand for at kunne yde sit bedste. Din



F



G

Landroid®L kan selv klare de fleste ting, men du skal nogle gange hjælpe den, så den ikke kommer til skade.

- Du må aldrig lade din Landroid®L køre på grus
- Fjern eller blokér forhindringer, som din Landroid®L kunne risikere at køre op på, og derved ødelægge sine klingskive.
- Fjern alt affald og fremmede genstande fra din græsplæne.

4. Grundlæggende om grænsekablet

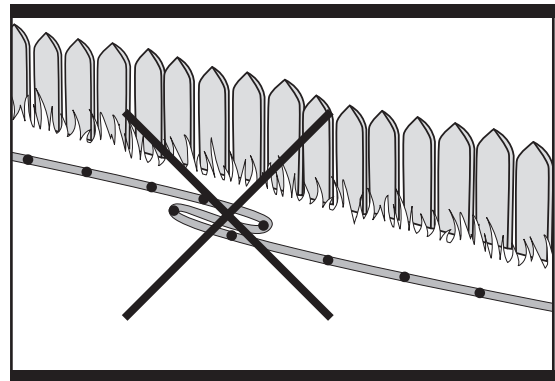
4.1 Fastgørelse af grænsekablet til jorden

Brug afstandsmåleren til grænsekablet (26) til at måle den korrekte afstand fra kanten af din græsplæne (mere end 45cm *).

* Dette er den anbefalede afstand. Brug den medfølgende afstandsmåler, så installationen udføres korrekt.

Hvis din nabo også bruger en Landroid®L, skal der være en afstand på mindst 2m mellem din nabos og dit eget grænsekabel.

Du bedes venligst være opmærksom på, at din Landroid®L ikke er i stand til at modtage et signal fra grænsekablet ud over 25m.



H

Grænsekablet skal trækkes præcis rundt om græsområdet, der skal slås. Din Landroid®L kan godt blive forvirret på grund af ekstra bøjninger eller spiraler på grænsekablet, som ikke er en del af græsområdet, der skal slås (Se Fig. H). Hvis der er kabel i overskud efter du har ført kablet rundt om græsplænen, skal du klippe det af og gem det til eventuelt senere brug. Du skal dog huske at efterlade nok kabel både at begrave kablet og tilslutte det til opladebasen.

4.2 Nedgravning af grænsekablet

Vi anbefaler du graver grænsekablet et par centimeter ned i jorden. Dette sikrer at maskinen kører uden problemer år efter år, sæson efter sæson. Hvis du ønsker at nedgrave grænsekablet, skal du bemærke at din Landroid®L muligvis har problemer med at finde grænsekablet, når den skal finde opladebasen for første gang. Det anbefales, at du først fastspænder grænsekablet til jorden med pløkkerne, hvorefter du nemt kan lave mulige ændringer. Dette giver din Landroid®L mulighed for, at tilpasse sig det nye miljø, og sørger for at den virker ordentligt med opladebasen, før du graver grænsekablet ned. Når du har udlagt kantråden, bør du bede Landroid®L om at følge kantråden ved at trykke på Hjem-knappen. Mens du observerer, at Landroid®L finder ladestationen, kan du foretage ændringer i kantrådens udlægning, så du sikrer, at Landroid®L kan følge kantråden uden problemer, når den skal finde ladestationen.

4.3 Sammenspænding af grænsekablet

Grænsekablet (23) kan forlænges ved at pille enderne fra hinanden, og splejse dem sammen med et andet stykke kabel. Herefter kan du rulle sammenslutningen ind i almindeligt tape. (Se Fig. I)

4.4 Opstart og test af installationen

Hvis den grønne lampe ikke lyser, skal du kontrollere strømtilslutningerne.

Hvis lampen blinker grøn, skal du kontrollere om grænsekablet er ordentligt forbundet.

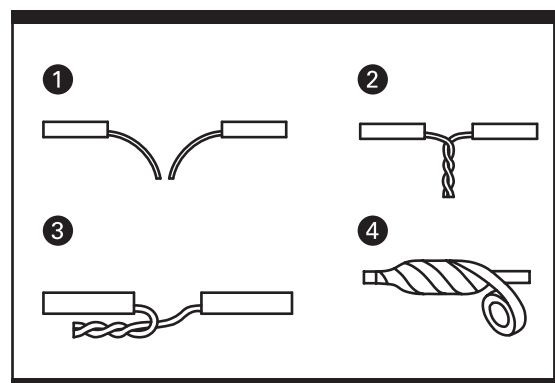
Lamper lyser rød: Oplader.

Rødt lys blinker: Fejlmeddelelse. Se under Fejlsøgning og løs problemet.

Grønt lys blinker: Tjek om kantråden er forbundet korrekt.

Hvis den grønne lys på ladestationen er tændt, anbringer du Landroid®L over kantråden. Hvis den følger kantråden, er den forbundet korrekt.

Hvis Landroid®L er indenfor området, men skærmen viser "udenfor klippeområde" og ladestationens lysdiode er grøn, har du samlet kantrådens ender forkert. But om på dem.



I

5. Software opdatering

Din Landroid®L software kan opdateres, når der fremkommer nye versioner. Software versionen vises i displayets nederste højre hjørne. Manualen i boksen er baseret på default softwaren i masseproduktionen. Nogle nye features/funktioner i den nye version eksisterer muligvis ikke i den nyeste manual. Hvis du finder nogle indstillinger, som ikke er i manualen, venligst gå til www.worxlandroid.com for at downloade den nyeste manual. Du kan tjekke den software version, der er installeret på din maskine, ved at trykke på ON/OFF-knappen.

Den seneste software kan downloades fra vores website – se instruktioner for download og installering neden under;

Trin1: Find din seneste software version på: www.worxlandroid.com. Kopiér ".bin"-filen, der indeholder den seneste software version til et USB-stik.

BEMÆRK: Inden 'bin'-filen overføres, sørg for at USB-stikket ikke indeholder andre filer eller data.

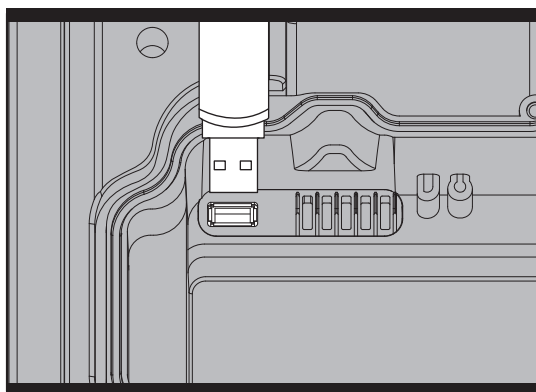
Trin 2: Åben dækslet i bunden og fjern batteriet, indsæt derefter USB-stikket i USB-porten. (Se Fig. J1)

Trin 3: Isæt batteriet igen, og tryk ON/OFF - knappen ned i 10 sekunder, indtil græsklipperen er tændt (ON). Den nye software-version vises i nederste højre hjørne på displayet. (Se Fig. J2)

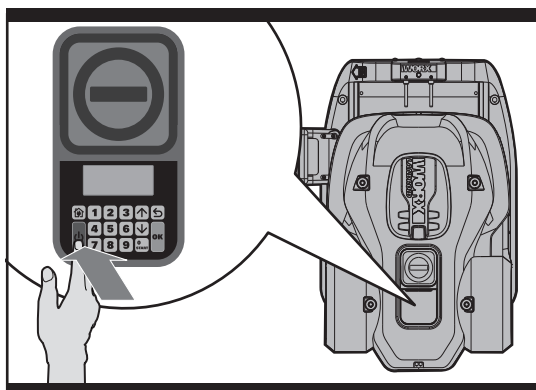
Trin 4: Fjern USB-stikket og sæt batteridækslet på plads igen..

Trin 5: Efter installering af den nye software, skal du genindstille diagnostikpanelet på din græsslåmaskine-robot. Anbring først maskinen på en vandret flade.

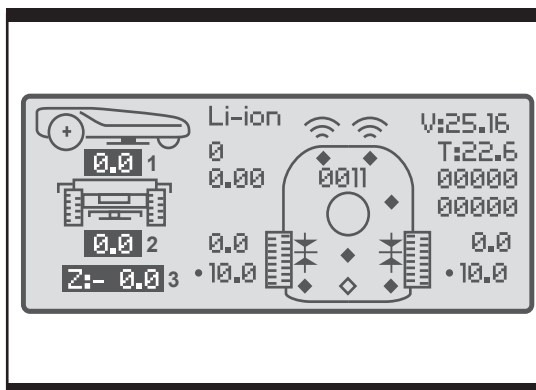
Tryk tast "2" for at få adgang til diagnostikgrænsefladen, tryk derefter taste "5" i et par sekunder, indtil de tre tal 1 2 & 3 fremhævet nedenunder vender tilbage til nul. (Se Fig. J3)



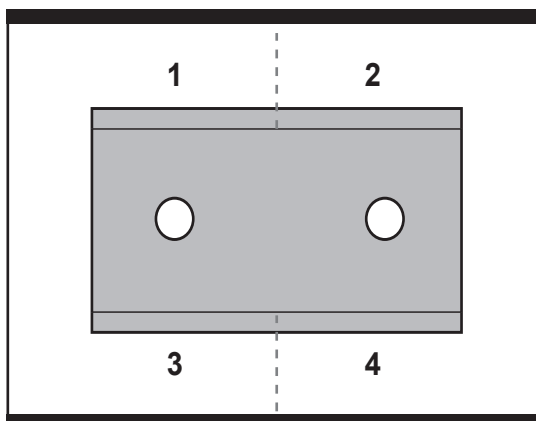
J1



J2



J3



K

6. Vedligeholdelse

Din Landroid®L skal regelmæssigt ses efter. Din Landroid®L arbejder hårdt, og skal efter et stykke tid rengøres ordentligt, og muligvis have et par dele udskiftet, da disse bliver slidt.

I de følgende afsnit fortæller vi dig, hvordan du plejer din Landroid®L.

6.1 Hold den skarp

ADVARSEL: Før rengøring, justering eller udskiftning af klingerne, skal du slukke for din Landroid®L, ved at stille ON/OFF (tænd/sluk) knappen på OFF (slukket), og tag sikkerhedshandsker på.

ADVARSEL: Ved udskiftning af knive sørg for, at du udskifter ALLE knivene. Brug altid nye skruer, når du skifter knivene. Dette er vigtigt for at sikre, at knivene sidder ordentligt. Bruger du ikke nye skruer, kan det medføre alvorlige skader.

Din Landroid®L klipper ikke græs på samme måde som andre græsslåmaskiner. Dens klinger (17) er knivskarpe på alle 4 kanter, og de drejer i begge retninger for at give maksimum klippeeffekt (Se Fig. K). Hver klinge på din Landroid®L har 4 skærekanter. Klingerne skal af og til vendes om, så de andre skærekanter også bruges, afhængig af hvor meget du bruger din Landroid®L. Hvis din Landroid®L er programmeret til, at slå græsset hver dag, skal du vende klingerne om hver måned, så du opnår det bedste resultat. Hver klinge vil holde i op til 4 måneder, hvis din Landroid®L slår græsset hver dag. Når klingerne er døve og nedslidte, skal de udskiftes med de nye klinger, som følger med din Landroid®L. Du kan også købe ekstra klinger hos din lokale Worx forhandler.

A. Drejning og vending af klingerne

Din Landroid®L har klinger, som alle er skruet fast på klingskiven (16). Det er klingerne, som udfører arbejdet og de skal plejes og vedligeholdes ordentligt. Du skal engang i mellem dreje og vende alle klinger om, for at få en perfekt klipning. Når du drejer og vender klingerne om, skal du sørge for at klingerne justeres på samme tid, ellers kan klingskiven komme ud af balance. Hvis din Landroid®L slår græsset på samme tid hver dag, bør klingerne holde en hel sæson, hvis de drejes og vendes om hver måned. Kontrollér altid om klingerne er revnede eller ødelagte, og skift dem hvis de er.

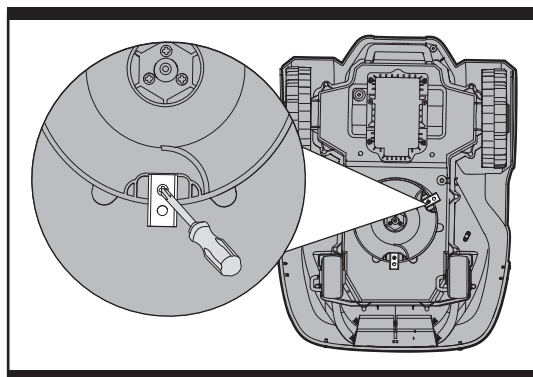
B. Udskiftning af klingerne(Se Fig. L)

Efter nogen tid, gerne efter hver sæson, skal klingerne på din Landroid®L skiftes. Din Landroid®L kan ikke lide, at bruge klinger som ikke er lige gamle og af samme kvalitet. Så når du skifter klingerne, skal du sørge for at skifte dem alle sammen på samme tid. Du kan skifte dem med et af de tre ekstra klingsæt og ekstra klingskruer, som følger med din Landroid®L.

Inden du udskifter knive på din Landroid®L, slå strømmen fra og tag beskyttelseshandsker på. Følg herefter disse trin:

1. Vend forsigtigt din Landroid®L om på siden.
2. Fjern batteridækslet og fjern batteriet.
3. Skru skruerne på knivene af med en skruetrækker.
4. Fastspænd skruerne på de nye klinger ordentligt.
5. Sæt batteriet og batteridækslet på plads igen.

VIGTIGT: Når du har skruet klingerne på klingskiven, skal du sørge for at klingerne kan dreje frit.



L

6.2 Hold den ren

ADVARSEL: Inden rengøring sluk for din Landroid®L, ved at stille ON/OFF (tænd/sluk) knappen på OFF (slukket). Brug sikkerhedshandsker når du rengør klingskiven (16), og undgå at bruge løbende vand. (Se Fig. M)

A. Rengøring af karosseriet

Din Landroid®L vil få et meget lykkeligere og længere liv, hvis den rengøres regelmæssigt. Da Landroid®L er en elektrisk maskine, skal du dog være påpasselig ved rengøring, så du MÅ IKKE bruge en slange, højtryksrenser eller på anden måde hælde rindende vand på Landroid®L. Det er bedst at bruge en sprayflaske med vand. Når du renser maskinens karosseri, brug en blød børste eller en ren klud og undgå brug af opløsningsmidler eller pudsemidler. (Se Fig. M). Endelig skal du sørge for at fjerne alle rester af græs og snavs.

B. Rengøring af undersiden

Her er det igen vigtigt, at du slukker for din Landroid®L, ved at stille ON/OFF (tænd/sluk) knappen på OFF (slukket), og brug beskyttelseshandsker, før du rører ved klingerne (16).

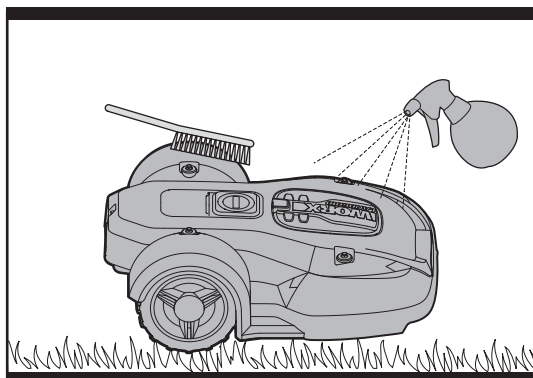
Først skal du vende Landroid®L om for at få undersiden opad. Her vil du kunne se klingskiven, kabinettet (14), forhjulene (18) og baghjulene (11). Rengør alt grundigt med en blød børste eller en fugtklud.

Drej klingedisken for at sikre at den roterer frit. Kontrollér at knivene drejer frit omkring skruerne. Fjern eventuelle forhindringer.

VIGTIGT: Fjern al fastklemt skidt, så det ikke forårsager revner i klingskiven. Selv den mindste revne kan reducere din Landroid®L's evne til at slå græs.

C. Rengør kontaktpladerne og opladepoterne

Rengør kontaktpladerne (2) på opladestationen (3) og opladepoterne (5) på din Landroid®L med en klud. Fjern regelmæssigt al ophobet græs og skidt omkring kontaktpladerne og opladepoterne, så du sikrer, at din Landroid®L oplades helt hver gang.



M

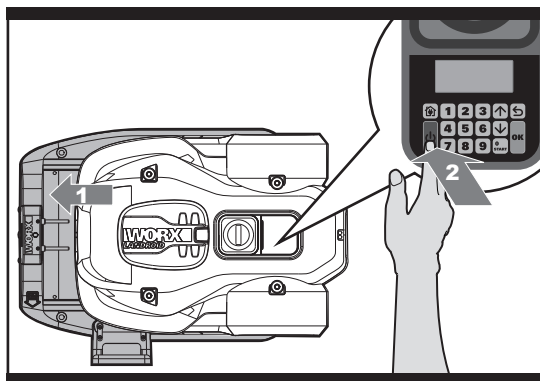
6.3 Batteriliv

Hjertet på din Landroid®L er dens 28-volt lithium-ion-batteri. Dette er vedligeholdelsesfrit. For ordentlig opbevaring af batteriet, skal du sørge for at oplade det helt og opbevare det på et køligt og tørt sted med en temperatur på 20°C - 60°C.

Levetiden på din Landroid®L's batteri afhænger af forskellige faktorer, såsom:

- Hvor ofte den bruges i en sæson
- Antallet af timer din Landroid®L slår græs pr. dag
- Hvordan du behandler dit batteri, mens det opbevares

Landroid®L kan oplades manuelt uden afgrænsningskablet. (Se Fig. N)



N

For manuelt at oplade batteriet uden at forbinde afgrænsningstråden til opladestationen;

1. Forbind opladestationen til en stikkontakt.

2. Placer Landroid®L manuelt i opladestationen, når Landroid®L er slukket.

3. Opladestationens røde lys tændes.

4. Tryk på knappen ON/OFF på Landroid®L inden for 3 sekunder og inden at opladestationens lampe skifter til grønt.

5. Luk tastaturvinduet, hvorefter Landroid®L starter opladningen.

6.4 Vinterdvale

Din Landroid®L vil leve længere og sundere, hvis den får lov til at gå i vinterdvale. Så selvom det er hårdt, så anbefaler vi at du opbevarer din Landroid®L i dit skur eller garage vinteren over.

Men før du gør din Landroid®L klar til opbevaring over vinteren, skal du sørge for at:

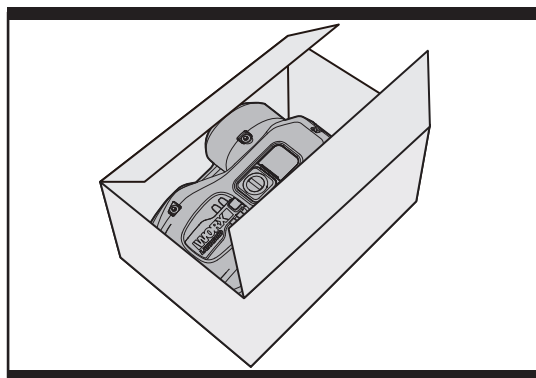
- Rengøre den ordentligt.
- Lade batteriet helt op.
- Sluk for den.

Batteriet skal lades helt op før du gemmer det væk over vinteren, så det opbevares bedst og er klar til næste sæson.

Når du gemmer din Landroid®L væk, skal du stille den fladt på alle fire hjul på et tørt sted, væk fra frostvej. Det anbefales, at du gemmer din Landroid®L i dens originale emballage. Det er bedst at opbevare opladestationen, lavspændingskablet (4) og transformeren (22) indendørs over vinteren. (Se Fig.O)

Grænsekablet kan efterlades i jorden, dog skal dens ender beskyttes, f.eks. ved at lægge dem i en metaldåse med fedtstof. Hvis du lader opladestationen stå udenfor over vinteren, skal du sørge for at grænsekablet er forbundet hertil.

BEMÆRK: Når vinteren er overstået og du tager din Landroid®L i brug igen, skal du sørge for at opladningspladerne (5) og kontaktpladerne (2) er rene, hvilket er bedst gjort med en fin smergelklud. Sørg for, at datoen og tiden er korrekt, og send herefter din Landroid®L tilbage til det, den elsker at lave: At slå græs.



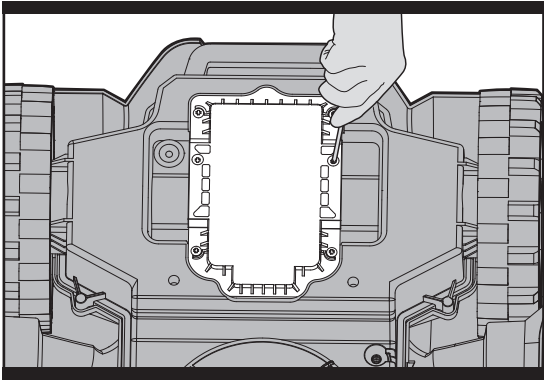
O

6.5 Udskiftning af batteriet

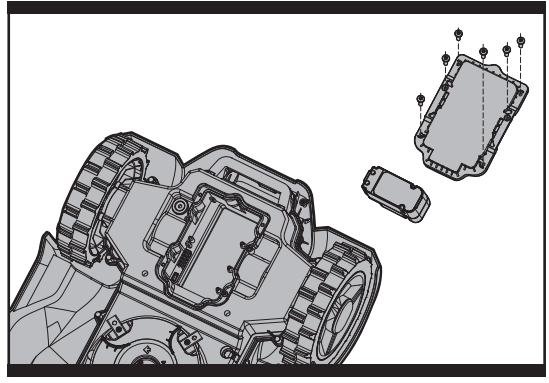
⚠ ADVARSEL: Stil ON/OFF (tænd/sluk) knappen på OFF (slukket), før du foretager nogle justeringer, udskiftninger eller reparationer.

Hvis du skal skifte batteriet, bedes du gøre følgende:

1. Vend forsigtigt din Landroid®L om på hovedet
2. Fjern de seks skruer på batteriet. (Se Fig. P)
3. Tag det gamle batteri ud. (Se Fig.Q)
4. Sæt det nye batteri i.
5. Skrue de 6 skruer i igen.



P



Q

Miljøbeskyttelse



Affald af elektriske produkter må ikke bortskaffes sammen med husholdningsaffald. Indlever så vidt muligt produktet til genbrug. Kontakt de lokale myndigheder eller forhandleren, hvis du er i tvivl.

ALKUPERÄISET OHJEET

SISÄLTÖ

1. Tuoteturvallisuus	31
1.1 Ruohonleikkurin turvaohjeet	31
1.2 Tietoja Landroid®L:stä	33
2. Osaluettelo	34
3. Landroid®L-ruohonleikkuriin tutustuminen	36
3.1 Kuinka Landroid®L tietää, missä leikata nurmikkoa?	36
3.2 Kuinka Landroid®L tietää, minne mennä?	37
A. Latausalustan löytäminen	37
B. Sadeanturit	37
C. Kehäjohdon tunnistaminen	37
D. Käynnistyminen ja pysähtyminen nurmikkoa leikattaessa	37
3.3 Kuinka suuren alueen Landroid®L pystyy leikkaamaan?	38
3.4 Kuinka tehokkaasti Landroid®L leikkaa nurmikkoa?	38
4. Kehäjohdon perusteet	39
4.1 Kehäjohdon kiinnittäminen	39
4.2 Kehäjohdon kaivaminen maahan	39
4.3 Kehäjohdon liittäminen	39
4.4 Käynnistys ja testiasennus	39
5. Ohjelmistopäivitys	40
6. Kunnossapito	40
6.1 Pidä terävänä	40
A. Terien kiertäminen ja kääntäminen	41
B. Terien vaihtaminen	41
6.2 Pidä puhtaana	41
A. Rungon puhdistaminen	41
B. Puhdistaminen alta	41
C. Kontaktinastojen ja latausnauhojen puhdistus	41
6.3 Akkukesto	42
6.4 Säilytys talvella	42
6.5 Akun vaihto	42

1. Tuoteturvallisuus

1.1 Ruohonleikkurin turvaohjeet

VAROITUS: Lue kaikki turvavaroitukset ja ohjeet. Varoitusten ja ohjeiden noudattamatta jättäminen voi johtaa sähköiskuun, tulipaloon ja/tai vakavaan vammaan.

Lue ohjeet huolellisesti koneen käyttämiseksi turvallisesti.

Säilytä kaikki varoitukset ja ohjeet tulevaa käyttöä varten.

- Tätä laitetta ei ole tarkoitettu sellaisten henkilöiden (mukaan lukien lapset) käytettäväksi, joilla on rajoittunut fyysinen, aistillinen tai henkinen kapasiteetti tai jolla ei ole kokemusta ja tietoa, ellei heidän turvallisuudestaan vastuussa oleva henkilö valvo tai opasta heitä laitteen käytössä.
- Lapsia on valvottava, jotta varmistetaan, etteivät he leiki laitteella.
- Laitetta saa käyttää vain laitteen mukana toimitun virransyöttölaitteen kanssa.

TÄRKEÄÄ

**LUE HUOLELLISESTI ENNEN KÄYTTÖÄ
SÄILYÄ MYÖHEMPÄÄ KÄYTTÖÄ VARTEN**

TURVALLISET KÄYTTÖKÄYTÄNNÖT

Harjoittelu

- a) Lue nämä ohjeet huolellisesti. Varmista, että ymmärrät ohjeet, tunnet ohjaimet ja osaat käyttää laitetta oikein.
- b) Älä koskaan anna näitä ohjeita tuntemattomien henkilöiden tai lasten käyttää tätä laitetta. Paikalliset säädökset voivat rajoittaa laitteen käyttäjän ikää.
- c) Käyttäjä on vastuussa ihmisille tai omaisuudelle koituvista onnettomuuksista tai vaaroista.

Valmistelu

- a) Varmista, että kehäjohtoon asennus on ohjeiden mukainen.
- b) Tarkista säännöllisesti, että alueella, jolla laitetta käytetään, ei ole kiviä, keppejä, johtoja, luita tai muita vieraita esineitä.
- c) Tarkista säännöllisesti silmämääräisesti, etteivät terät, terän pultit ja leikkauskokoonpano ole kuluneet tai vahingoittuneet. Vaihda kuluneet tai vahingoittuneet terät ja pultit sarjoina tasapainon säilyttämiseksi.
- d) Ole varovainen käyttäessäsi monikaraisia laitteita, sillä yhden terän pyöriminen voi aiheuttaa muiden terien pyörimisen.
- e) VAROITUS! Ruohonleikkuria ei saa käyttää, jos suojuus ei ole paikallaan.

KÄYTTÖ

1. YLEISTÄ

- a) Älä koskaan käytä laitetta, jos sen suojuukset ovat viallisia tai jos turvalaitteet, kuten ohjaimet, eivät ole paikoillaan.
- b) Älä vie käsiä tai jalkoja lähelle pyöriviä osia tai niiden alle. Pidä aina poistoaukot esteettöminä.
- c) Älä koskaan nosta tai kanna laitetta moottorin ollessa käynnissä.
- d) Ota käytön estolaite käyttöön laitteesta.
 - ennen esteen poistamista,
 - ennen laitteen tarkistusta, puhdistusta tai korjaamista.
- e) Robottiruohonleikkurin alkuperäisen toiminnallisuuden mukauttaminen on kiellettyä. Kaikki mukautukset ovat omalla vastuullasi.
- f) Käynnistä robottiruohonleikkuri ohjeiden mukaisesti. Kun virta on kytketty päälle, varmista, että pidät kätesi ja jalkasi loitolla pyörivistä teristä. Älä koskaan vie käsiä tai jalkoja ruohonleikkurin alle.
- g) Älä koskaan nosta robottiruohonleikkuria tai kanna sitä, kun virta on kytketty päälle.
- h) Älä anna henkilöiden, jotka eivät tiedä kuinka robottiruohonleikkuri toimii ja käyttäytyy, käyttää sitä.
- i) Älä aseta mitään robottiruohonleikkurin tai sen latausaseman päälle.
- j) Älä käytä robottiruohonleikkuria, jos sen terät tai runko on vioittunut. Laitetta ei saa käyttää, jos sen terät, ruuvit, mutterit tai kaapelit ovat vahingoittuneet.
- k) Sammuta robottiruohonleikkuri aina, kun sitä ei käytetä. Robottiruohonleikkurin voi käynnistää vain, kun virta on kytketty päälle ja oikea PIN-koodi on annettu.

2. LISÄKSI, KUN LAITETTA KÄYTETÄÄN AUTOMAATTISESTI

- a) Älä jätä konetta käymään ilman valvontaa, jos lähistöllä on lemmikkieläimiä, lapsia tai muita henkilöitä.

KUNNOSSAPITO JA SÄILYTYS

VAROITUS: Kun ruohonleikkuri on ylösalaisin, sen tulee aina olla sammutettuna. Virran tulee aina olla sammutettuna, kun ruohonleikkurille suoritetaan huoltotoimia altapäin, kuten puhdistus tai terien vaihto.

- a) Pidä kaikki mutterit, pultit ja ruuvit tiukalla varmistaaksesi, että laite on turvallisessa käyttökunnossa.
- b) Tarkista robottiruohonleikkuri joka viikko ja vaihda kuluneet tai vahingoittuneet osat turvallisuuden varmistamiseksi.
- c) Tarkista erityisesti, etteivät terät ja terälevyt ole vahingoittuneet. Vaihda kaikki terät ja ruuvit tarpeen mukaan samanaikaisesti, jotta pyörivät osat pysyvät tasapainossa.

- d) Varmista, että käytät vain oikean tyyppisiä vaihtoteriä.
- e) Varmista, että akut on ladattu käyttämällä oikeaa valmistajan suosittelemaa laturia. Väärä käyttö voi johtaa sähköiskuun, ylikuumentumiseen tai syövyttävän hapon vuotamiseen akusta.
- f) Jos joudut kosketuksiin elektrolyyttivuodon kanssa, huuhtelee kohta vedellä/neutralointiaineella ja hakeudu lääkärille, jos sitä joutuu silmiin jne.
- g) Laitteen huolto tulee tehdä valmistajan ohjeiden mukaisesti.

Kuljetus

Kun robottiruohonleikkuria kuljetetaan pitkiä matkoja, tulee käyttää alkuperäistä pakkausta.

Ruohonleikkurin turvallinen siirtäminen työskentelyalueella:

- a) Paina STOP (PYSÄYTÄ) painiketta pysäyttääksesi leikkurin.
- b) 4-numeroinen PIN-koodi valitaan, kun leikkuri käynnistetään ensimmäisen kerran.
- c) Sammuta ruohonleikkuri aina, kun aiot siirtää ruohonleikkuria.
- d) Kuljeta ruohonleikkuria sen takana alla olevasta kahvasta. Kanna ruohonleikkuria terälevy pois päin kehostasi.



Akun turvaohjeet

- a) Älä pura, avaa tai revi kennoja tai akkua.**
- b) Älä aiheuta akkuun oikosulkuja. Älä säilytä akkuja sattumanvaraisesti laatikossa tai kaapissa, jossa ne voivat joutua oikosulkuun toistensa tai muiden metalliesineiden kanssa.** Kun akku ei ole käytössä, pidä se kaukana muista metalliesineistä, kuten paperiliittimistä, kolikoista, avaimista, nauloista, ruuveista tai muista pienistä metalliesineistä, jotka voivat muodostaa yhteyden napojen välille. Oikosulku akkujen napojen välillä voi aiheuttaa palovammoja tai tulipalon.
- c) Älä altista akkua kuumuudelle tai tulelle. Älä säilytä sitä suorassa auringonvalossa.**
- d) Älä kohdistu akkuun mekaanisia iskuja**
- e) Jos akku vuotaa, älä päästä nestettä kosketuksiin ihon tai silmien kanssa. Jos näin käy, huuhtelee kosketusalue runsaalla vedellä ja hakeudu lääkärin hoitoon**
- f) Jos kenno tai akku tulee niellyksi, hakeudu välittömästi lääkärin vastaanotolle.**
- g) Pidä akku puhtaana ja kuivana.**
- h) Akku antaa parhaan tehon, kun sitä käytetään normaalissa huonelämpötilassa (20°C ± 5°C).**
- i) Kun hävität akut, pidä erilaisen sähkökemiallisen yhdistelmän omaavat järjestelmät erillään toisistaan.**
- j) Lataa vain WORXin määrittämällä laturilla. Älä käytä mitään muuta kuin laitteen toimitukseen kuuluvaa laturia.** Laturi, joka sopii yhteen akkuun, voi aiheuttaa tulipalon vaaran, jos sitä käytetään toisenlaisessa akussa.
- k) Älä käytä mitään akkua, jota ei ole suunniteltu käytettäväksi kyseisessä laitteistossa.**
- l) Pidä akku lasten ulottumattomissa.**
- m) Säilytä tuotteen alkuperäiset asiakirjat tulevaa käyttöä varten.**
- n) Hävitä käytetty akku oikein.**

1.2 Tietoja Landroid®:stä



VAROITUS – Robottiruohonleikkuri voi olla väärin käytettynä vaarallinen.

Lue käyttöopas huolellisesti läpi ja varmista, että ymmärrät sisällön, ennen kuin käytät robottiruohonleikkuriasi.



VAROITUS – Säilytä turvallinen etäisyys koneesta työskennellessäsi sillä.



VAROITUS – Kytke laite pois päältä, ennen kuin korjaat tai nostat sitä.



VAROITUS - Älä yritä istua laitteen päällä.



Älä hävitä tulesa.



Akkujen sisältö voi joutua veden kiertoon, jos ne hävitetään virheellisesti. Älä hävitä akkuja lajittelemattomana kotitalousjätteenä.



Li-Ion

Akut tulee kierrättää. Älä hävitä akkuja lajittelemattomana kotitalousjätteenä.



Li-Ion



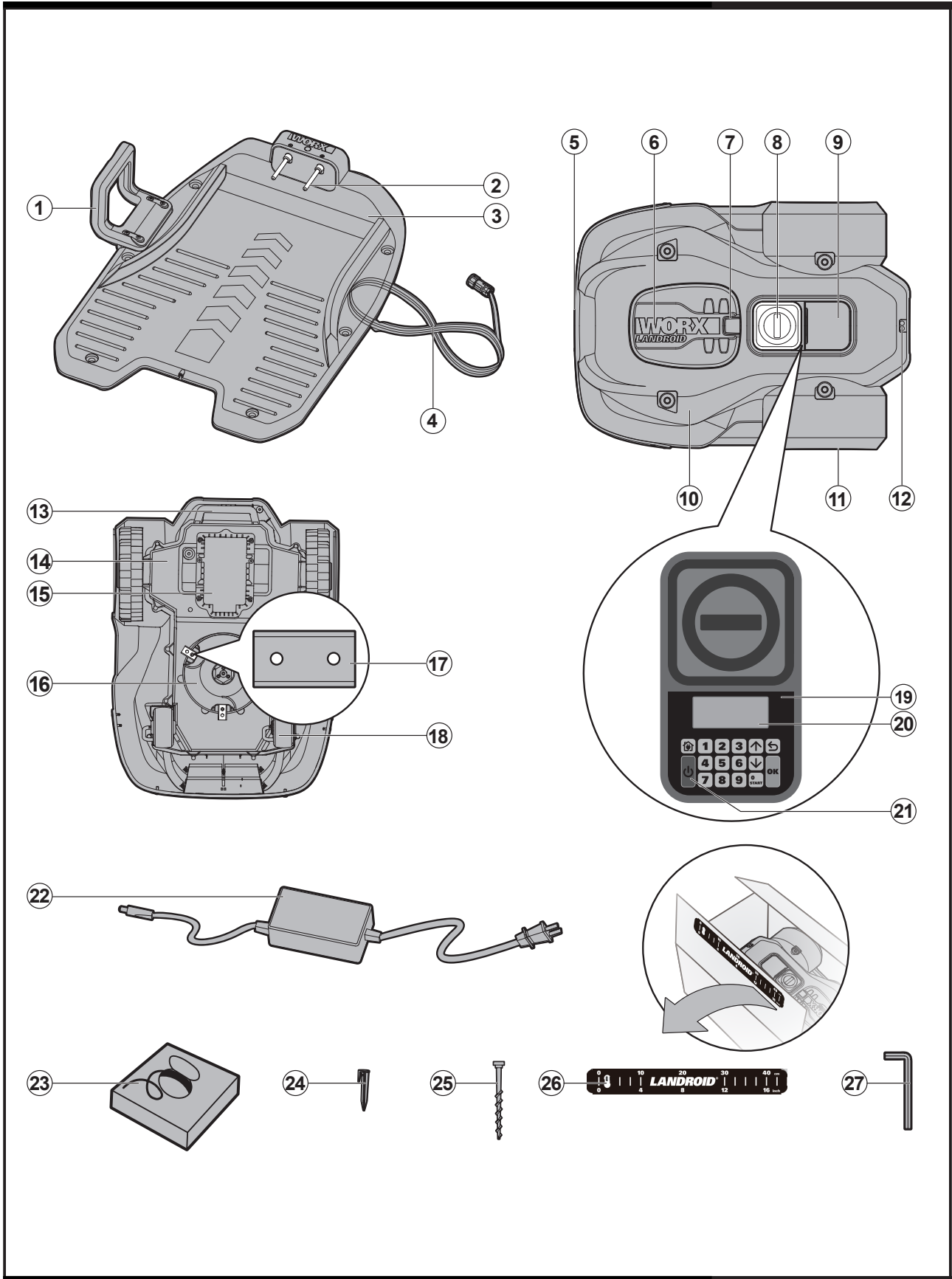
Älä pese konetta korkeapainepesurilla



Elektroniikkaromua ei saa hävittää kotitalousjätteen mukana. Toimita elektroniikkaromu asianmukaisiin keräyspisteisiin. Kysy kierrätysohjeita paikallisilta viranomaisilta tai jälleenmyyjältä.



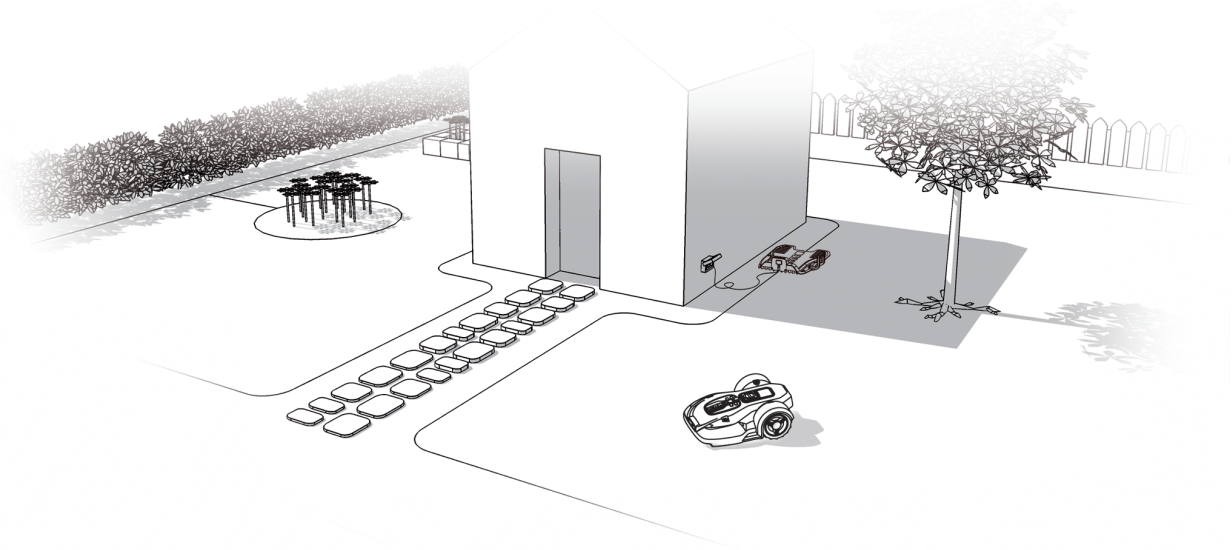
2. Osaluettelo



- 1. KANTOKAHVA**
- 2. KONTAKTINASTAT**
- 3. LATAUSALUSTA**
- 4. MATALAJÄNNITEKAAPELI**
- 5. LATAUSNAUHA**
- 6. RUOHONLEIKKUUN KORKEUDENSÄÄTÖKANSI**
- 7. AVAUSPAINIKE - RUOHON LEIKKUUKORKEUDEN SÄÄTÖKANNEN AVAAMISEEN**
- 8. KÄYTTÖPAINIKE**
- 9. NÄPPÄIMISTÖN IKKUNA**
- 10. LANDROID-KOTELO**
- 11. TAKAOHJAUSPYÖRÄ**
- 12. SADEANTURI**
- 13. KAHVA**
- 14. PÄÄKOTELO - SISÄLTÄÄ MOOTTORIN, ELEKTRONIIKAN JA AKUN**
- 15. AKKU**
- 16. PYÖRIVÄ TERÄLEVY**
- 17. LEIKKAUSTERÄ**
- 18. ETUPYÖRÄ**
- 19. NÄPPÄIMISTÖ**
- 20. NÄYTTÖ**
- 21. ON/OFF-NÄPPÄIN**
- 22. VERKKOLAITE**
- 23. KEHÄJOHTO**
- 24. JOHDON KIINNIKKEET**
- 25. LATAUSALUSTAN KIINNITYSNAULAT**
- 26. KEHÄJOHDON ETÄISYYSMITTA**
- 27. KUUSIOKULMA-AVAIN**

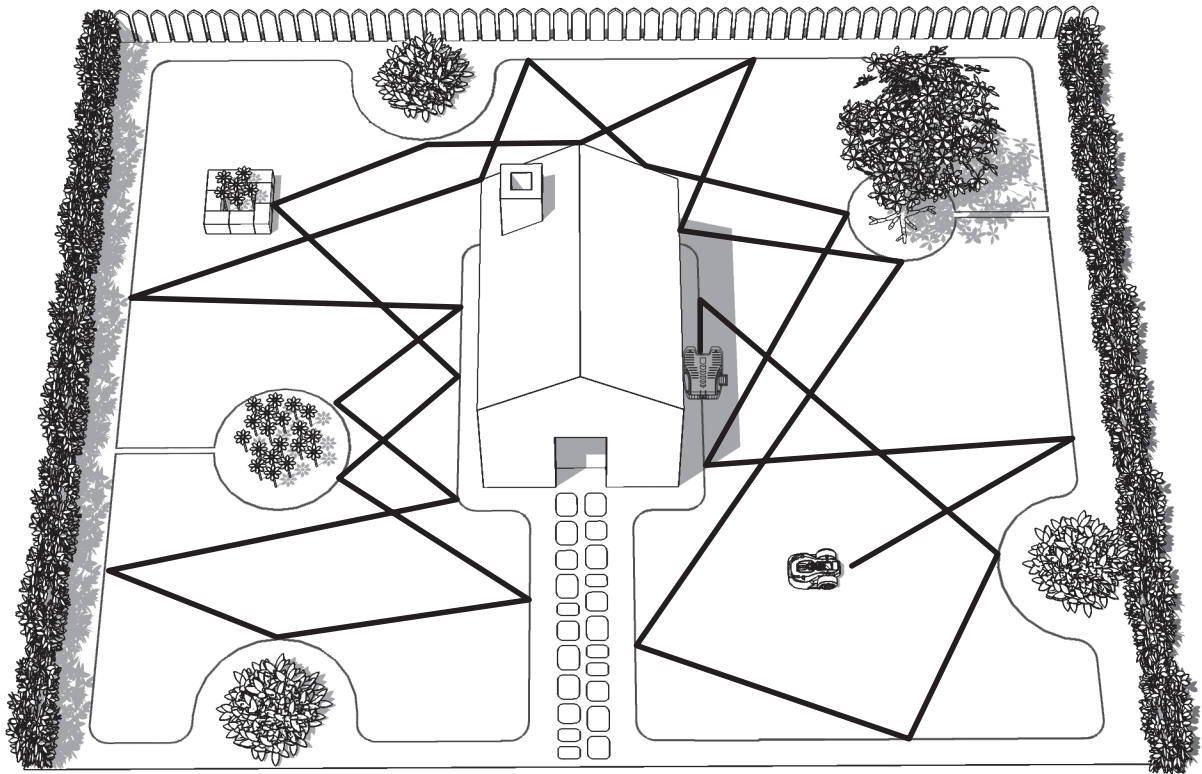
3. Landroid®L-ruohonleikkuriin tutustuminen

Onnittelut uuden Landroid®L-ruohonleikkurin ostamisesta ja siirtymisestä huolettomaan, automaattiseen ruohonleikkuun maailmaan. Seuraavassa haluamme auttaa sinua ymmärtämään, kuinka Landroid®L-ruohonleikkuri toimii.



3.1 Kuinka Landroid®L tietää, missä leikata nurmikkoa?

Landroid®L valitsee suunnan satunnaisesti. Se varmistaa, että koko nurmikko tulee leikatuksi tasaisesti jättämättä mihinkään epäsiistiä jälkeä. (Katso Kuva A)



A

3.2 Kuinka Landroid®L tietää, minne mennä?

Landroid®L pystyy tekemään asioita itsenäisesti. Landroid®L tietää, milloin sen on palattava latausalustalle (3) lataamista varten, se havaitsee milloin sataa, se osaa pysähtyä ongelmatilanteissa ja tietää milloin pysähtyä, peruuttaa ja kääntyä ympäri, jos se törmää johonkin, joka tukkii sen polun, tai muuhun esteeseen. Landroid®L myös pysäyttää automaattisesti terätkääntölevyn (16) pyörimisen onnettomuuksien ehkäisemiseksi, jos laite nostetaan ylös maanpinnasta.

A. Latausalustan löytäminen

Kun Landroid®L tarvitsee latausta, se lakkaa leikkaamasta nurmikkoa ja seuraa kehäjohtoa (23) vastapäiväiseen suuntaan takaisin latausalustalleen. Landroid®L on valmiiksi ohjelmoitu leikkaamaan nurmikon kehäjohtoa lähellä kerran viikossa.

Jos haluat leikata nurmikon kehäjohtoa lähellä muina aikoina, avaa näppäimistöä luukku, paina kotipainiketta ja sulje näppäimistöä luukku. Landroid®L lopettaa ruohonleikkaamisen, etsii kehäjohtoa ja leikkaa ruohon kehäjohtoa lähellä, samalla kun se paikallistaa latausaseman Joten jos haluat leikata nurmikkoa kehäjohtoa läheltä, voit tehdä sen painamalla kotipainiketta ja sulkemalla näppäimistöä ikkunan. Suosittelemme, että tätä toimintoa käytetään, kun akussa on virtaa yli 75%. Voit tarkistaa akun virran näytöstä.

B. Sadeanturit

Landroid®L - ruohonleikkurissa on sadeanturi (12), joka tunnistaa sadepisarat ja kehottaa Landroid®L:n lopettamaan nurmikon leikkaamisen ja seuraamaan kehäjohtoa takaisin latausalustalle (Katso Kuva B).

Landroid®L:n voi ohjelmoida käynnistymään viiveellä (0–180min), jos sataa. Kun sadetunnistimet ovat märät, Landroid®L palaa telakointiasemaansa. Landroid®L aloittaa viivekäynnistyslaskennan vasta, kun sadetunnistimet kuivuvat, tai aloittaa leikkaamisen heti. Jos haluat komentaa Landroid®L-ruohonleikkurin jatkamaan nurmikon leikkaamista ennen "Rain start delay" (Sadekäynnistysviive) -toiminnolle asettamaasi aikaa, paina STOP -painiketta (8), kuivaa Landroid®L ja sulje näppäimistöä ikkuna (9) saadaksesi sen jatkamaan nurmikon leikkaamista. Katso lisätietoja Ohjelmointi- ja vianetsintäoppaasta.


C. Kehäjohtoa tunnistaminen

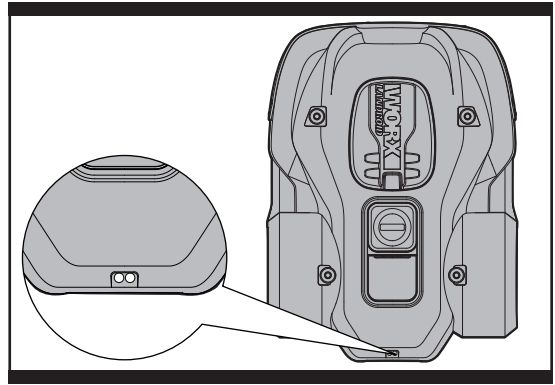
Landroid®L tottelee aina kehäjohtoa asettamaa rajaa ja käyttää kahta etuosassa sijaitsevaa anturia tunnistamaan, milloin se on lähestymässä jotakin (Katso Kuva C).

Ennen suunnan muuttamista Landroid®L ylittää kehäjohtoa enintään 25 cm*.

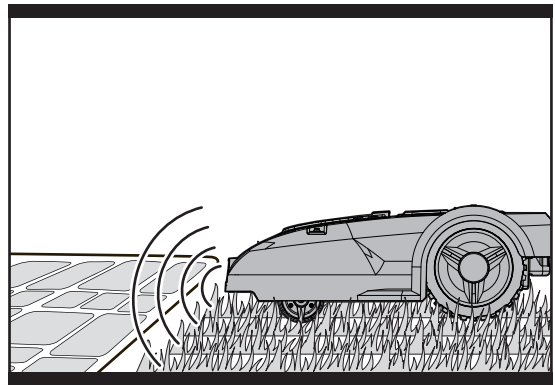
* Tämä on suositeltava etäisyys, Landroid®L ei pysty laskemaan etäisyyttä itse. Käytä toimitukseen kuuluvaa mittaa varmistamaan oikea asennus.

D. Käynnistyminen ja pysähtyminen nurmikkoa leikattaessa

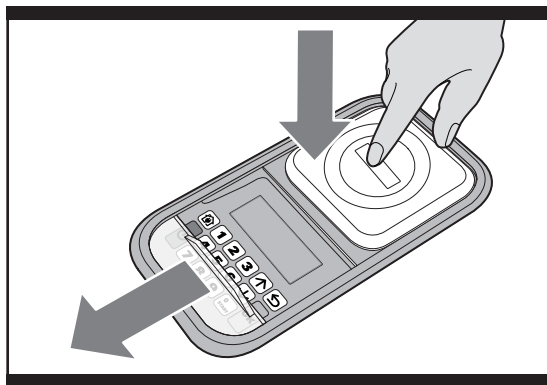
Jos haluat komentaa Landroid®L:n lopettamaan nurmikon leikkaamisen, paina koneen päällä olevaa STOP -painiketta (8). Kun painiketta painetaan Landroid®L avaa näppäimistöä ikkunan ja odottaa lisäkomentoja. Se ei ala leikata uudelleen, ennen kuin olet painanut  ja sulkenut näppäimistöä luukun. (Katso Kuvat D, E)



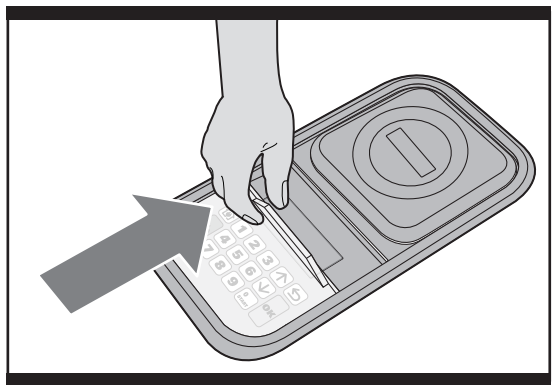
B



C



D





E



Jos Landroid®L tuntee, että jokin on vialla, se näyttää vikailmoituksen näytöllä (20) ja sammuttaa itsensä, jos se ei saa käyttäjältä mitään syötettä 20 minuuttiin (katso tiedot vikailmoituksista Ohjelmointi- ja vianetsintäoppaasta).

Jatkaminen:

Tapaus 1: STOP – automaattinen sammuminen 20 minuutin jälkeen

- Paina STOP -painiketta
- Avaa näppäimistön luukku.
- Käynnistä kone painamalla ON/OFF-näppäintä (21).
- Korjaa ongelma painamalla  näppäintä.
- Paina  näppäintä uudelleen ja sulje näppäimistön luukku
- Nyt Landroid®L alkaa leikata nurmikkoa!

Tapaus 2: STOP - ilman automaattista sammumista

- Paina STOP -painiketta
- Avaa näppäimistön luukku.
- Korjaa ongelma painamalla  näppäintä.
- Paina  näppäintä uudelleen ja sulje näppäimistön luukku
- Nyt Landroid®L alkaa leikata nurmikkoa!

3.3 Kuinka suuren alueen Landroid®L pystyy leikkaamaan?

Landroid®L pystyy leikkaamaan pinta-alaltaan noin erikokoisia alueita, joskin todellinen ala riippuu seuraavista tekijöistä:

- Nurmikon ruoholajike ja sen kasvunopeus
- Leikkausterien (17) terävyys
- Kosteus
- Lämpötila
- Esteiden määrä nurmikolla

Jos lämpötila Landroid®L-ruohonleikkurin käyttöalueella on hyvin kuuma, laite saattaa latautua hieman hitaammin. Landroid®L käyttää vähemmän energiaa avoimilla alueilla, joilla on vähemmän esteitä, kuten kukkapenkkejä, suihkulähteitä, jalkakäytäviä jne. Löydät Landroid®L:n oletustyöskentelyajan erikokoisille nurmikoille ohjelmointioppaasta.

Nurmikon leikkusaika on eripituinen erityyppisillä nurmikoilla aiemmin mainittujen tekijöiden mukaan. Muuta vähitellen päivittäistä aikaa, jolloin Landroid®L leikkaa nurmikkoa, kunnes asetus on kohdallaan.

Voit myös ohjelmoida Landroid®L-ruohonleikkurin sopimaan aikatauluusi – katso ohjelmointioppaasta.

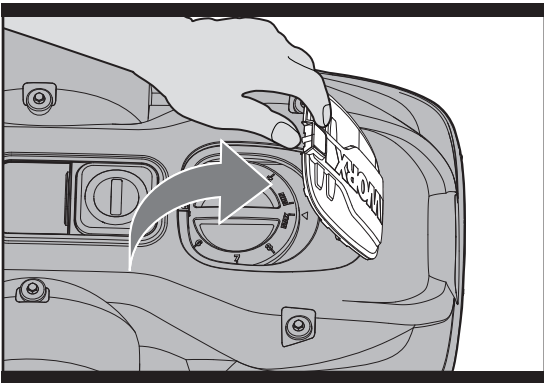
3.4 Kuinka tehokkaasti Landroid®L leikkaa nurmikkoa?

Landroid®L'in leikkauskorkeutta voi säätää välillä 2–6cm. Ennen kuin käynnistät Landroid®L:n ensimmäistä kertaa, nurmikko on leikattava tavallisella ruohonleikkurilla enintään 9 cm:n korkeuteen. Varmista sitten, että avaat RUOHON LEIKKUKORKEUDEN SÄÄTÖKANNEN (6) ja asetat enimmäisleikkaukorkeudeksi 6cm (Katso Kuvat F, G).

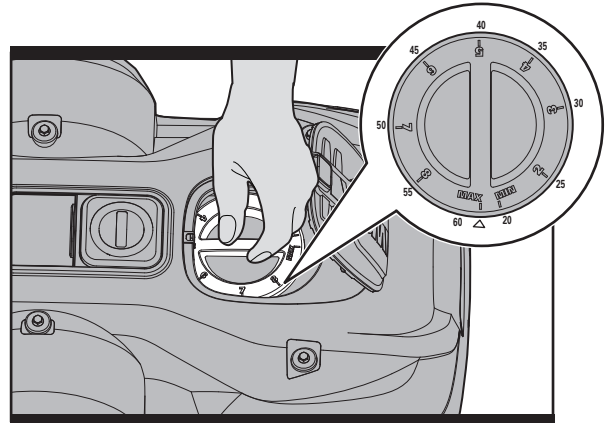
Landroid®L leikkaa parhaiten kuivalla säällä. Se ei pidä märästä ruohosta, jota saattaa kerääntyä teränkäntölevyyn (16) ja moottoriin ja joka voi myös hidastaa vetoa ja aiheuttaa lipsumista työn aikana.

Landroid®L-ruohonleikkuri pelkää ukonilmaa. Suojaa Landroid®L ukonilmalla irrottamalla latausalusta (3), irrottamalla kehäjohto (23) ja varmistamalla, ettei Landroid®L pysty latautumaan.

Landroid®L-laitteesi rakastaa ruohon leikkausta ja tarvitsee hyväkuntoiset leikkuuterät (17) saadakseen aikaan parhaan mahdollisen leikkauksen. Landroid®L pystyy tekemään useimmat asiat itse, mutta se tarvitsee joskus apuasi, jottei se vahingoita itseään.



F



G

- Älä anna Landroid®L -ruohonleikkurin koskaan liikkua sorapinnalla.
- Poista tai suojaa kohteet, joiden päälle Landroid®L voi vahingossa nousta niin, että terälevy vahingoittuu.
- Poista nurmikolta kaikki roskat ja vieraat esineet.

4. Kehäjohton perusteet

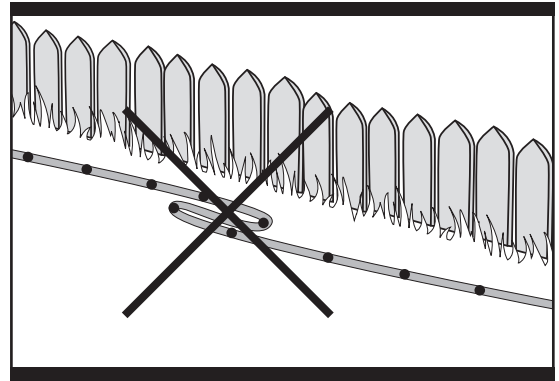
4.1 Kehäjohton kiinnittäminen

Käytä kehäjohton etäisyysmittaa (26) oikean etäisyyden asettamiseen nurmikon reunasta (yli 45cm*).

* Tämä on suositeltava etäisyys. Käytä toimitukseen kuuluvaa mittaa varmistamaan oikea asennus.

Jos myös naapurisi käyttää Landroid®L: a, kehäjohtojen välisen etäisyyden on oltava vähintään 2 metriä.

Huomioi, että Landroid®L ei pysty vastaanottamaan signaalia yli 25m etäisyydellä olevasta kehäjohtosta.



H

Kehäjohton on ympäröitävä tarkoitettu nurmikon leikkausalue kokonaan. Landroid®L ei toimi oikein, jos

johdossa on ylimääräisiä mutkia tai silmukoita, jotka eivät kuulu

sen leikkausalueeseen. (Katso Kuva H) Jos kehäjohto on pidempi kuin leikkausalueen raja, leikkaa ylimääräinen johto pois ja säilytä sitä erikseen mahdollista tulevaa käyttöä varten. Johdon on kuitenkin oltava riittävän pitkä latausalueen liitoskohdassa, jotta sen voi liittää maahan kaivettuna.

4.2 Kehäjohton kaivaminen maahan

Jos suunnittelet kehäjohton kaivamista maahan, on huomioitava, että latausalueelle ensimmäistä kertaa siirtyessään Landroid®L voi kohdata ongelmia sen mukaan, miten olet asettanut johdon. On suositeltavaa kiinnittää kehäjohto kiinnikkeillä nurmikkoon, jolloin on helppoa tehdä säätöjä tarpeen mukaan. Tämä mahdollistaa Landroid®L:n säätämisen uuteen ympäristöön ja varmistaa, että sen toiminta latausalueella onnistuu ennen kuin kehäjohto kaivetaan maahan.

Kun olet asentanut kehäjohton kokonaan, on suositeltavaa pyytää Landroid®L:ia seuraamaan kehäjohtoa painamalla kotipainiketta.

Samalla kun varmistat, että Landroid®L löytää latausaseman, voit tehdä muutoksia kehäjohton reittiin, jotta Landroid®L pystyy seuraamaan kehäjohtoa ongelmitta etsiessään latausasemaa.

4.3 Kehäjohton liittäminen

Kehäjohtoa (23) voi jatkaa helposti liittämällä johdon pää toiseen johtoon. Johtojen liitoskohta kannattaa eristää teipillä. (Katso Kuva I)

4.4 Käynnistys ja testiasennus

Jos latausalueen vihreä valo ei syty, tarkista virtaliitännät.

Jos latausalueen LED-merkkivalo vilkkuu vihreänä, tarkista, onko kehäjohto liitetty hyvin.

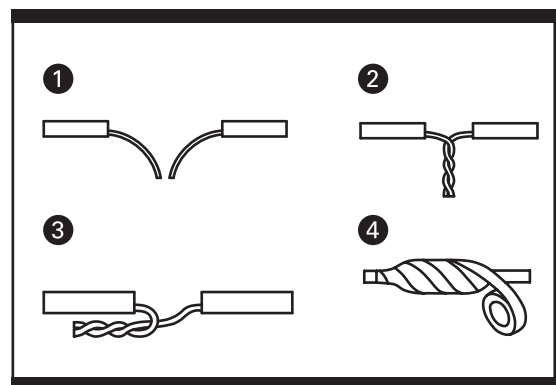
Punainen valo palaa: lataus käynnissä.

Punainen valo vilkkuu: virheviesti, katso vianmäärittystä ja korjaa ongelmat.

Vihreä valo vilkkuu: tarkista, onko kehäjohto liitetty oikein.

Kun latausaseman vihreä valo palaa, aseta Landroid®L kehäjohton päälle. Jos Landroid®L seuraa kehää, se on liitetty oikein.

Jos Landroid®L on alueen sisällä, mutta näytössä näkyy "out of cutting area" (leikkausalueen ulkopuolella) ja latausalueen LED-valo palaa vihreänä, olet liittänyt kehäjohton päät väärin. Vaihda vain johtojen paikkaa.



I

5. Ohjelmistopäivitys

Landroid®L - ohjelmisto voidaan päivittää, kun uusia versioita tulee saataville. Ohjelmistoversio näytetään näytön oikeassa alakulmassa. Laatikossa oleva käyttöohje perustuu massatuotannossa olevaan oletusohjelmistoon. Joitakin uuden version uusia ominaisuuksia tai toimintoja ei välttämättä ole oletusversioon perustuvassa käyttöohjeessa. Jos löydät asetuksia, joita ei ole käyttöohjeessa, lataa uusin käyttöohje osoitteesta www.worxlandroid.com. Voit tarkistaa laitteelle asennetun ohjelmistoversion painamalla ON/OFF - painiketta. Uusin ohjelmistoversio voidaan ladata verkkosivuiltamme. Katso lataus- ja asennusohjeet alta.

Vaihe 1: Etsi usin ohjelmistoversio osoitteesta: www.worxlandroid.com.

Kopioi uusimman ohjelmistoversion sisältämä .bin-tiedosto USB-muistitikulle.

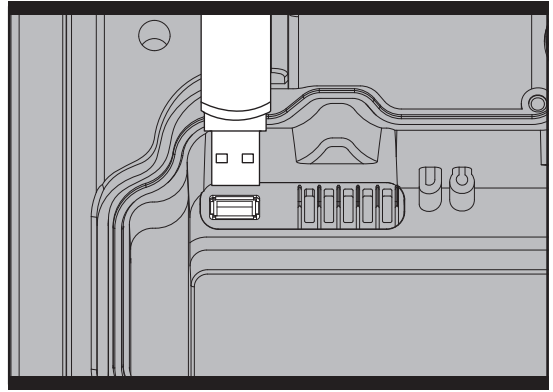
HUOM: Varmista ennen bin-tiedoston siirtämistä, että muistitikulla ei ole muita tiedostoja tai tietoja.

Vaihe 2: Avaa kansi alhaalta ja irrota akku ja laita sitten U-levy USB-porttiin. (Katso Kuva J1)

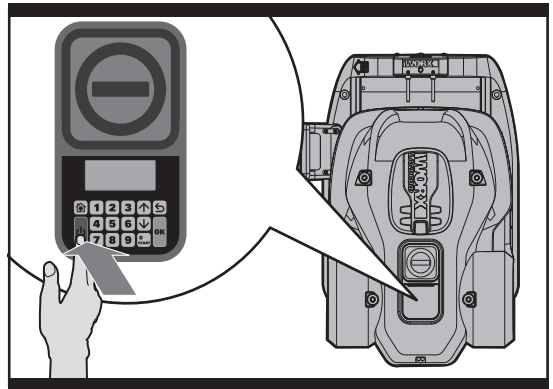
Vaihe 3: Laita akku takaisin ja paina ON/OFF-painiketta 10 sekunnin ajan, kunnes leikkuri käynnistyy. Uusi ohjelmistoversio näkyy näytön oikeassa alareunassa. (Katso Kuva J2)

Vaihe 4: Irrota muistitikku ja laita akkukansi takaisin paikalleen.

Vaihe 5: Uuden ohjelmiston asennuksen jälkeen sinun täytyy nollata leikkurin diagnostiikkapaneeli. Laita leikkuri ensin tasaiselle pinnalle. Paina näppäintä "2", jotta siirryt diagnostiikkaliittymään. Paina sitten näppäintä "5" muutaman sekunnin ajan, kunnes kolme numeroa 1, 2 ja 3 alla korostettuina palaavat takaisin nolliin. (Katso Kuva J3)



J1



J2

6. Kunnossapito

Landroid®L-ruohonleikkurin kunto on tarkistettava säännöllisesti.

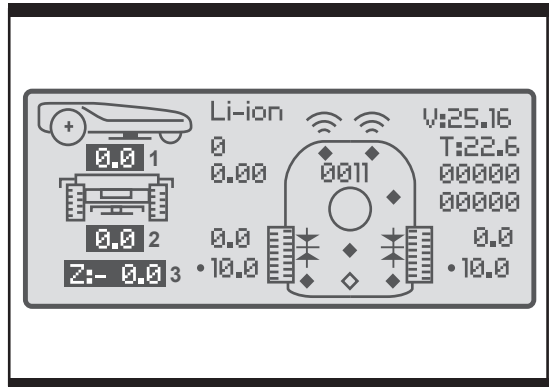
Landroid®L tekee kovaa työtä ja se on ajoittain puhdistettava hyvin, ja sen osia joutuu vaihtamaan sitä mukaa, kun ne kuluvat. Seuraavassa on ohjeita, miten huolehdit parhaiten Landroid®L-ruohonleikkurista.

6.1 Pidä terävänä

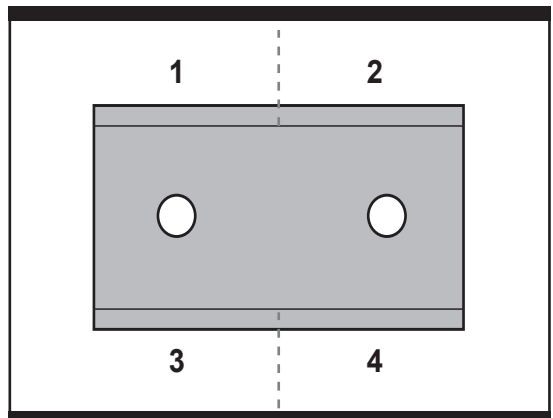
VAROITUS: Sammuta Landroid®L ennen puhdistusta, säätöä tai terien vaihtoa painamalla ON/OFF-painiketta. Käytä suojakäsineitä.

VAROITUS: Kun vaihdat uudet terät, vaihda KAIKKI terät. Käytä aina uusia ruuvia, kun kiinnität teriä. Tämä on tärkeää terien kiinni pysymisen varmistamiseksi. Uusien ruuvien käyttämättä jättäminen voi aiheuttaa vakavan loukkaantumisen.

Landroid®L ei leikkaa ruohon samalla tavalla kuin muut leikkurit. Sen leikkuuterät (17) ovat veitsenterävät kaikilta neljältä reunalta ja ne pyörivät molempiin suuntiin maksimaalisen leikkauskapasiteetin varmistamiseksi (Katso Kuva K). Jokaisessa Landroid®L-terässä on 4 leikkaavaa reunaa. Riippuen siitä kuinka usein Landroid®L leikkaa ruohosi, leikkuuterät täytyy kääntää säännöllisesti uuden leikkuureunan saamiseksi. Jos Landroid®L on ohjelmoitu leikkaamaan nurmikko joka päivä, leikkuuterät täytyy kääntää kerran kuukaudessa parhaan leikkuutuloksen saavuttamiseksi. Jokainen leikkuuterä kestää noin 4 kuukautta, jos laite on ohjelmoitu leikkaamaan joka päivä. Kun leikkuuterät ovat tylsät ja kuluneet, ne tulee vaihtaa Landroid®L:n mukana toimitettuihin teriin. Varateriä on myös saatavissa lähimmältä WORX-jälleenmyyjältä.



J3



K

A. Terien kiertäminen ja kääntäminen

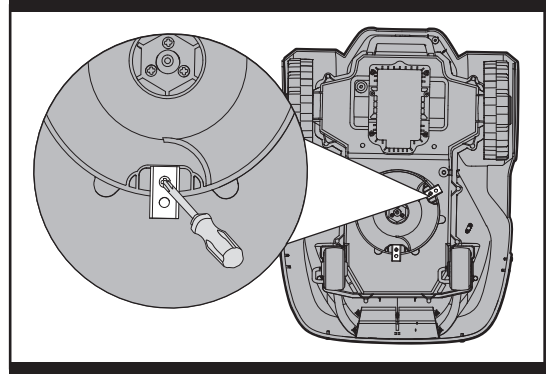
Landroid®L:ssä on terää, jotka on kaikki ruuvattu teränkääntölevyyn (16). Terien avulla Landroid®L tekee työnsä ja ne tarvitsevat huoltoa ja huomiota. Aina silloin tällöin sinun tulee samanaikaisesti kääntää kaikki terät vaaka- ja pystysuunnassa täydellisen leikkueen saavuttamiseksi. Kun käännät teriä, varmista, että kaikki terät säädetään samaan aikaan tai muuten terälevy voi joutua pois tasapainosta. Jos Landroid®L leikkaa nurmikkoa normaalissa aikataulussa (päivittäin), terien pitäisi kestää yhden kauden, jos niitä käännetään kuukausittain. Tarkista aina, että terät ovat kolhiintuneet tai vahingoittuneet ja vaihda ne, jos ne ovat.

B. Terien vaihtaminen (Katso Kuva L)

Jonkin ajan kuluttua, tavallisesti joka kauden jälkeen, Landroid®L'in terät täytyy vaihtaa Landroid®L ei leikkaa nurmikkoa hyvin, jos laitteessa on eri-ikäisiä ja erilaatuisia teriä. Kun vaihdat teriä, muista vaihtaa ne kaikki samanaikaisesti. Voit vaihtaa yhteen kolmesta Landroid®L:n mukana toimitetusta varateräsarjasta ja lisäruuvista. Ennen kuin yrität vaihtaa Landroid®L'in teriä, sammuta virta ja laita käsiisi suojakäsineet. Toimi sitten seuraavien ohjeiden mukaan:

1. Käännä Landroid®L varovaisesti ympäri.
2. Irrota akkukansi ja poista akku.
3. Irrota ruuvit teristä ruuvimeisselillä.
4. ruuvaa uudet terät paikalleen huolellisesti.
5. Laita akku ja akkukansi paikoilleen.

TÄRKEÄÄ: Kun olet kiinnittänyt terän terälevyyn, varmista, että terä pystyy pyörimään vapaasti.



L

6.2 Pidä puhtaana

VAROITUS: Ennen kuin puhdistat Landroid®L:n, sammuta se painamalla ON/OFF-painiketta. Laita käsiisi suojakäsineet ennen kuin puhdistat teränkääntölevyn (16) äläkä käytä juoksevaa vettä. (Katso Kuvat M)

A. Rungon puhdistaminen

Landroid®L toimii paremmin ja kestää pidempään, jos se puhdistetaan säännöllisesti. Koska Landroid®L on sähkölaite, sinun täytyy olla huolellinen pestessäsi sitä. ÄLÄ käytä letkua, korkeapainepesuria tai muutoin juoksevaa vettä Landroid®L:lle. On parasta käyttää vedellä täytettyä suihkepulloa. Kun puhdistat koneen runkoa, käytä pehmeää harjaa tai puhdasta liinaa ja vältä liuottimien ja kiillotusaineiden käyttöä (Katso Kuva M). Varmista lopuksi, että poistat kaiken kerääntyneen ruohojätteen ja lian.

B. Puhdistaminen alta

On tärkeää muistaa sammuttaa Landroid®L ON/Off-painikkeesta ja käyttää suojakäsineitä ennen teränkääntölevyn (16) koskemista.

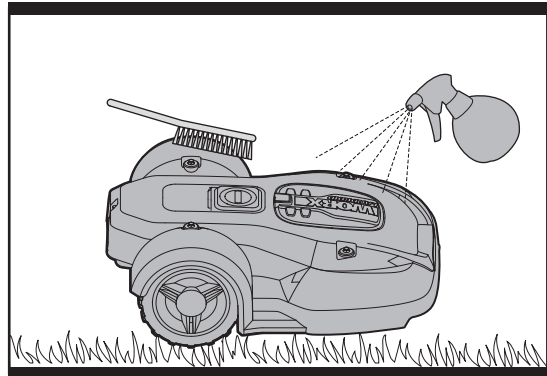
Käännä ensin Landroid®L ylösalaisin ennen alaosan paljastamista. Pohjassa näet terälevyn, pääkotelon(14), sekä etupyörän (18) ja ohjaavan pyörän (11). Puhdista kaikki huolellisesti pehmeällä harjalla tai kostealla liinalla.

Käännä terälevy ja varmista, että se kääntyy vapaasti. Tarkista, että terät pyörivät vapaasti kiinnitysruuvien ympärillä. Poista kaikki esteet

TÄRKEÄÄ: Poista juuttuneet jäänteet tai vieraat esineet, jotta ne eivät aiheuta halkeamaa terälevyyn. Pieninkin halkeama voi vähentää Landroid®L'in leikkuutehoa.

C. Kontaktinastojen ja latausnauhojen puhdistus

Puhdista liinalla latausalustassa (2) sijaitsevat kontaktinastat (3) ja Landroid®L:ssä sijaitseva latausnauha (5). Poista kerääntynyt ruoho ja lika kontaktinastojen ja -nauhojen ympäriltä säännöllisesti, jotta varmistat, että Landroid®L:n lataus onnistuu joka kerta.



M

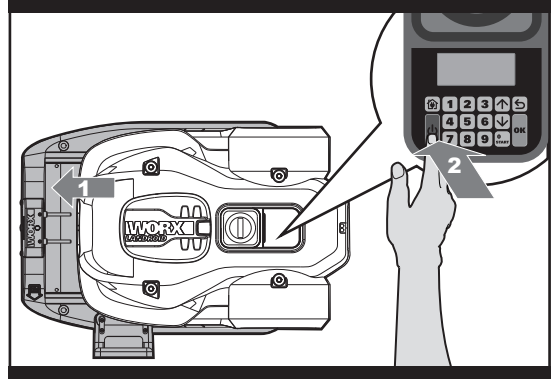
6.3 Akkukesto

Landroid®-Ruohonleikkurin sydän on sen 28 voltin litium-ioniakku. Mitään kunnossapitoa ei tarvita. Varmistaaksesi akun oikean säilytyksen tarkista, että se on ladattu täyteen ja että sen säilytyspaikka on viileä ja kuiva ja lämpötilaltaan välillä 20–60°C.

Landroid®L'in akkukesto riippuu useista tekijöistä, kuten:

- Kasvukauden pituus alueellasi.
- Kuinka monta tuntia Landroid®L leikkaa nurmikkoa päivittäin.
- Akun ylläpito varastoinnin aikana.

Landroid®L voidaan ladata manuaalisesti ilman kehäjohtoa (Katso Kuva N).



N

Akun lataaminen manuaalisesti yhdistämättä kehäjohtoa latausasemaan:

1. **Liitä latausalusta sopivaan virtalähteeseen.**
2. **Telakoi Landroid®L manuaalisesti latausalustaan Landroid®L kytkettynä pois päältä.**
3. **Latausaseman punainen valo syttyy.**
4. **Paina Landroid®L'in ON/OFF-painiketta (Virta päälle/pois) 3 sekunnin kuluessa, ennen kuin latausaseman valo muuttuu vihreäksi.**
5. **Landroid®L alkaa latautua.**

6.4 Säilytys talvella

Landroid®L kestää pitempään ja pysyy toimintakuntoisena, jos se säilytetään asianmukaisesti talven ajan. Vaikka laite onkin vankka, suosittelemme, että laitat Landroid®-Ruohonleikkurin talvisäilöön autotalliin tai vajaan.

Ennen kuin laitat Landroid®-Ruohonleikkurin talvisäilöön, varmista että:

- Puhdistat Landroid®L:n perusteellisesti,
- Lataat akun täyteen,
- Kytket ruohonleikkurin Off (Pois) -asentoon.

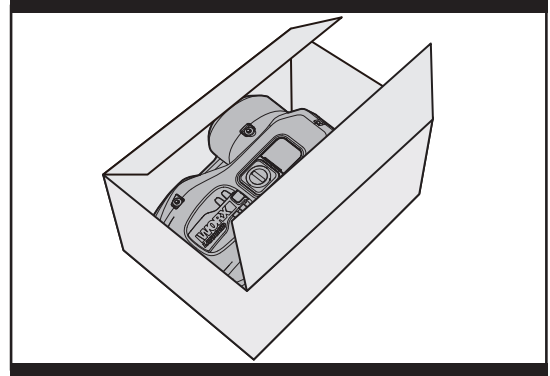
Akkukeston maksimoimiseksi on suositeltavaa ladata akku täyteen ennen sen varastointia talven ajaksi. Akku tulee ladata täyteen kerran talven aikana, jotta se pysyy parhaassa käyttökunnossa seuraavaa käyttökautta varten.

Säilytä Landroid®Lia tasaisesti kaikkien neljän pyörän varassa

kuivassa paikassa suojassa ulkoilmalta. On suositeltavaa säilyttää Landroid®Lia alkuperäisessä laatikossaan. Myös latausalusta, pienjännitekaapeli (4) ja muuntaja (22) kannattaa varastoida talvella sisätiloihin. (Katso Kuva O)

Kehäjohtoon voi jättää maahan, mutta sen päät tulee suojata esim. rasvaa sisältävällä peltitökillä. Jos latausalusta jätetään talveksi ulos, jätä se liittämättä virtalähteeseen.

HUOMAUTUS: Kun Landroid®L otetaan uudelleen käyttöön talven jälkeen, varmista, että latausliuskat (5) ja kontaktinastat (2) ovat puhtaita. Puhdistukseen kannattaa käyttää hienoa hiomakangasta. Varmista sitten, että laitteen päivämäärä ja aika ovat oikeat ja lähetä Landroid®L tekemään sitä, mistä se eniten pitää: nurmikkoa leikkaamaan.



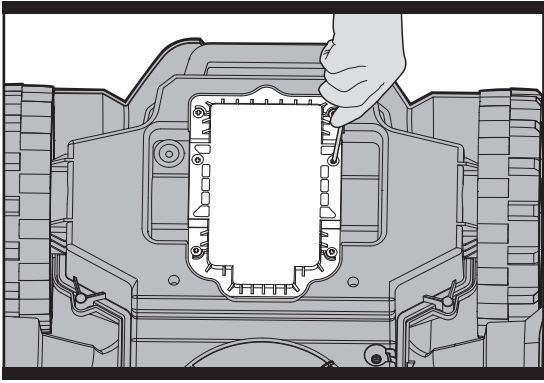
O

6.5 Akun vaihto

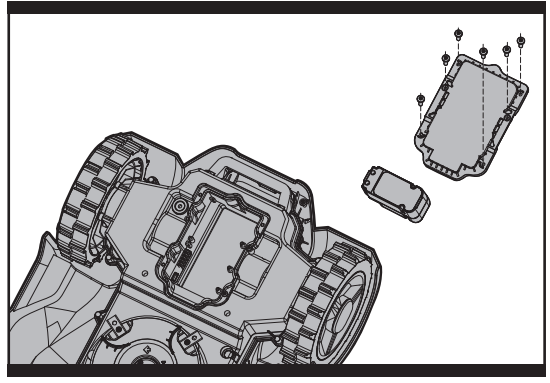
VAROITUS: Paina ON/OFF (Päälle/Pois) -näppäin OFF (Pois) -asentoon, ennen kuin aloitat mitään säätöä, vaihtoa tai korjausta.

Jos akku pitää vaihtaa, toimi seuraavasti:

1. Käännä Landroid®L varovasti ylösalaisin.
2. Poista akkukannen kuusi ruuvia. (Katso Kuva P)
3. Poista vanha akku. (Katso Kuva Q)
4. Aseta uusi akku paikalleen.
5. Ruuvaa kuusi ruuvia tiukasti takaisin paikoilleen.



P



Q

Ympäristönsuojelu



Elektroniikkaromua ei saa hävittää kotitalousjätteen mukana. Toimita elektroniikkaromu asianmukaisiin keräyspisteisiin.
Kysy paikallisviranomaisilta tai jälleenmyyjältä kierrätysohjeita.

ORIGINAL DRIFTSINSTRUKS

INNHOLDSFORTEGNELSE

1. Sikkerhetsanvisninger	45
1.1 Generelle og spesifikke sikkerhetsadvarsler	45
1.2 Informasjon om Landroid®L	47
2. Komponentliste	48
3. Forstå Landroid®L	50
3.1 Hvordan vet Landroid®L hva som skal klippes?	50
3.2 Hvordan vet Landroid®L hvor den skal?	51
A. Finne ladestasjonen	51
B. Regnsensor	51
C. Registrere grenseledningen	51
D. Starte og stoppe under klipping	51
3.3 Hvor stort område kan Landroid®L klippe?	52
3.4 Hvor effektivt klipper Landroid®L gresset?	52
4. Grunnleggende om grensetråden	53
4.1 Feste grensetråden	53
4.2 Grave ned grensetråden	53
4.3 Skjote grensetråden	53
4.4 Slå på og test installasjonen	53
5. Programvare oppdatering	54
6. Vedlikehold	54
6.1 Holde den skarp	54
A. Bytte om på og vende bladene	55
B. Bytte bladene	55
6.2 Holde den ren	55
A. Rengjøre karosseriet	55
B. Rengjøring av undersiden	55
C. Rengjør kontaktpinnene og ladestripene	55
6.3 Batterilevetid	56
6.4 Vinterdvale	56
6.5 Bytte batteriet	56

1. Sikkerhetsanvisninger

1.1 Generelle og spesifikke sikkerhetsadvarsler

 **ADVARSEL! Les gjennom alle advarslene og alle anvisningene. Hvis advarslene og anvisningene ikke følges, kan det forårsake elektriske støt, brann og/eller alvorlige skader.**

Les nøye gjennom anvisningene for trygg bruk av maskinen.

Ta vare på alle advarsler og anvisninger slik at du kan lese dem senere.

- Dette produktet er ikke ment for bruk av personer (også barn) med begrensede fysiske, sensoriske eller mentale funksjonsevner, eller som mangler erfaring eller kunnskaper, hvis de ikke blir passet på eller har fått opplæring i bruk av produktet av en person som er ansvarlig for deres sikkerhet.
- Barn bør holdes under oppsyn for å være sikker på at de ikke leker med produktet.
- Dette produktet må bare benyttes med den medfølgende strømkilden.

VIKTIG

LES NØYE FØR BRUK

TA VARE PÅ TIL SENERE BRUK

RUTINER FOR TRYGG BRUK

OPPLÆRING

- a) Les nøye gjennom anvisningene. Vær sikker på at du forstår anvisningene, og er fortrolig med knappene og hvordan produktet skal brukes på riktig måte.
- b) Ikke la personer som ikke kjenner anvisningene, eller barn, bruke produktet. Lokale bestemmelser kan angi aldersgrense for bruk.
- c) Brukeren er ansvarlig for ulykker eller fare andre personer utsettes for, på sin eiendom.

Forberedelser

- a) Kontroller at installeringen av grensetråden er gjort iht. anvisningene.
- b) Foreta jevnlig inspeksjoner av området der produktet skal brukes, og fjern alle steiner, pinner, ledninger, bein og andre fremmedlegemer.
- c) Se etter skader eller slitasje på bladene, bladskruene og kuttemonteringen med jevne mellomrom. Bytt ut hele settene av slitte eller skadde blader og skruer for å sikre at de er balansert.
- d) Multispindelprodukter bør håndteres forsiktig, fordi et roterende blad kan få andre blader til å rotere.
- e) **ADVARSEL!** Gressklipperen skal ikke brukes uten beskyttelsesdekslet på plass.

BRUK

1. GENERELT

- a) Produktet skal aldri brukes med defekt beskyttelse, eller uten sikkerhetsenheter som for eksempel deflektorer, på plass.
- b) Hender og føtter skal ikke komme nær eller under roterende deler. Aldri kom nær utslippsåpningen.
- c) Aldri løft eller bær et apparat med motoren i gang.
- d) Bruk deaktiveringssenheten på maskinen
 - Før noe som blokkerer fjernes.
 - Før du kontrollerer, renser eller arbeider med apparatet.
- e) Det er ikke tillatt å endre på originalutformingen av robotgressklipperen. Alle endringer gjøres på egen risiko.
- f) Start robotgressklipperen iht. anvisningene. Når hovedbryteren er på må hender og føtter holdes i trygg avstand fra de roterende bladene. Du må aldri ha hender eller føtter under gressklipperen.
- g) Robotgressklipperen skal aldri løftes eller bæres når hovedbryteren er på.
- h) Personer som ikke vet hvordan robotgressklipperen fungerer eller virker, skal ikke bruke den.
- i) Ikke legg noe på toppen av robotgressklipperen eller ladestasjonen.
- j) Robotgressklipperen skal ikke brukes hvis bladskive eller konstruksjon er defekt. Den bør heller ikke brukes hvis blader, skruer, muttere eller kabler er skadet.
- k) Slå alltid av robotgressklipperen med hovedbryteren når du ikke skal bruke den. Robotgressklipperen kan bare startes når hovedbryteren er på og riktig PIN-kode er skrevet inn.

2. I TILLEGG, NÅR PRODUKTET GÅR AUTOMATISK

- a) Ikke la maskinen gå uten oppsyn hvis du vet at det er kjæledyr, barn eller andre personer i nærheten.

VEDLIKEHOLD OG LAGRING

 **ADVARSEL! Når gressklipperen er snudd opp-ned, skal hovedbryteren alltid være av. Hovedbryteren skal være av når du gjør noe under den, som rengjøring eller bytting av blader.**

- a) Pass på at alle muttere, bolter og skruer er godt festet slik at produktet kan brukes på en trygg måte.
- b) Sjekk robotgressklipperen hver uke og bytt ut slitte eller skadde deler, av sikkerhetshensyn.
- c) Spesielt bladene og bladskiven må sjekkes for skader. Bytt om nødvendig ut alle blader og skruer samtidig, slik at de

roterende delene er balansert.

- d) Kontroller at det bare brukes kuttedeler av riktig type.
- e) Kontroller at batteriet lades med riktig lader anbefalt av produsenten. Feil bruk kan føre til elektrisk støt, overoppheting eller lekkasje av etsende væske fra batteriet.
- f) Hvis elektrolytt lekker ut, skylle med vann/nøytraliserende middel, og oppsøk lege hvis det kommer i kontakt med øynene, osv.
- g) Service på produktet skal foretas i henhold til produsentens anvisninger.

Transport

Bruk originalemballasjen når robotgressklipperen skal fraktes over lengre avstander.

Slik beveger du deg trygt fra eller innenfor arbeidsområdet:

- a) Trykk på STOP-tasten for å stoppe gressklipperen.
- b) Du velger en firesifret PIN-kode når du starter gressklipperen første gang.
- c) Slå alltid av robotgressklipperen hvis den skal bæres.
- d) Gressklipperen skal bæres ved å holde i håndtaket bak på undersiden av den. Bær gressklipperen med bladskiven pekende vekk fra kroppen.



Sikkerhetsanvisninger for batteripakke

- a) **Ikke demonter, åpne eller riv opp sekundære celler eller batteripakker.**
- b) **Ikke kortslutt en celle eller en batteripakke. Ikke oppbevar celler eller batteripakke løst i en boks eller skuff hvor de kan kortslutte hverandre eller bli kortsluttet av andre metallgjenstander.** Når batteripakken ikke er i bruk skal den holdes adskilt fra andre metallgjenstander som binders, mynter, nøkler, spiker, skruer eller andre små metallobjekter. Kortslutning av batteriet kan forårsake skader eller brann.
- c) **Ikke utsett celler eller batteripakke for varme eller ild. Unngå oppbevaring i direkte sollys.**
- d) **Ikke utsett celler eller batteripakke for mekanisk støt.**
- e) **Hvis du opplever cellelekkasje, ikke la væsken komme i kontakt med huden eller øynene. Dersom kontakt har oppstått, vask området med rikelige mengder vann og oppsøk medisinsk hjelp.**
- f) **Søk medisinsk hjelp umiddelbart hvis en celle eller batteripakke har blitt svelget.**
- g) **Hold batteripakken ren og tørr.**
- h) **Batteripakken gir best ytelse når den oppbevares i normal romtemperatur (20°C±5°C).**
- i) **Når du kaster en batteripakke, hold batterier fra forskjellige elektrokjemiske systemer adskilt fra hverandre.**
- j) **Bruk kun batterilader spesifisert av WORX. Bruk ikke andre ladere enn de som er levert for bruk med utstyret.** En type lader som er egnet for en type batteripakke kan skape brannfare hvis den brukes med en annen type batterier.
- k) **Ikke bruk batteripakker som ikke er beregnet for bruk sammen med utstyret.**
- l) **Hold batteripakken utenfor barns rekkevidde.**
- m) **Ta vare på den originale bruksanvisningen for fremtidig bruk**
- n) **Kvitt deg med produktet på forsvarlig måte.**

1.2 Informasjon om Landroid® L



ADVARSEL – Robotgressklippere kan være farlige hvis de brukes på feil måte.

Les nøye gjennom bruksanvisningen og pass på at du forstår innholdet før du bruker robotgressklipperen.



ADVARSEL – Hold deg på god avstand fra maskinen når du bruker den.



ADVARSEL – Slå gressklipperen av før du utfører arbeide på eller løfter maskinen.



ADVARSEL – Ikke ri på maskinen.



Må ikke brennes



Batterier kan ende opp i vann hvis de ikke kastes på riktig måte, som kan være farlig for økosystemet. Ikke kast brukte batterier som usortert husholdningsavfall.



Li-Ion

Batterier bør resirkuleres .Ikke kast brukte batterier som usortert husholdningsavfall.



Li-Ion



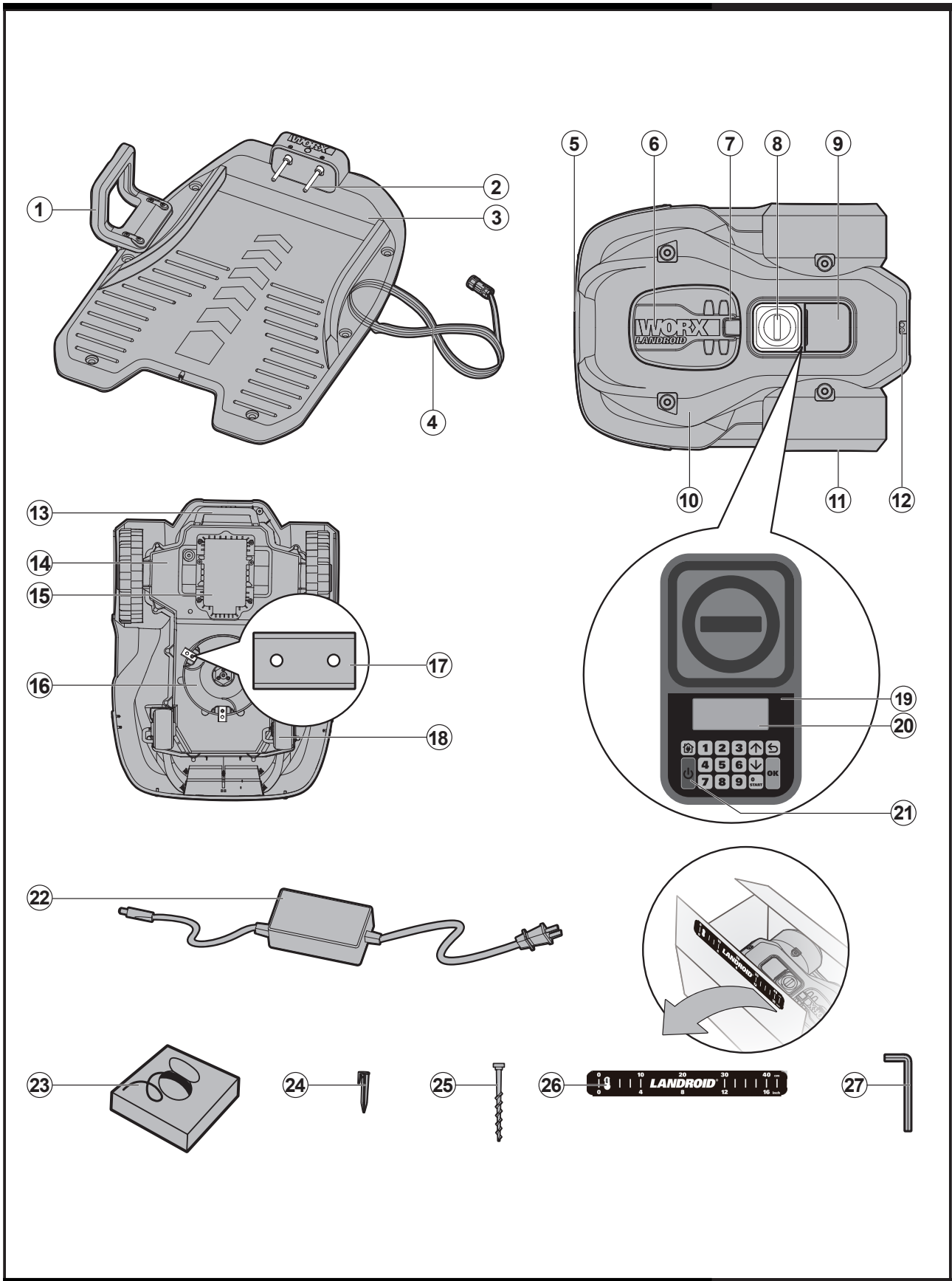
Ikke vask maskinen med en høytrykksspyler



Ikke kast elektroprodukter som ikke kan brukes lenger, i vanlig søppel. De må leveres inn til miljøvennlig resirkulering. Du kan få råd om resirkulering hos kommunen eller en forhandler.



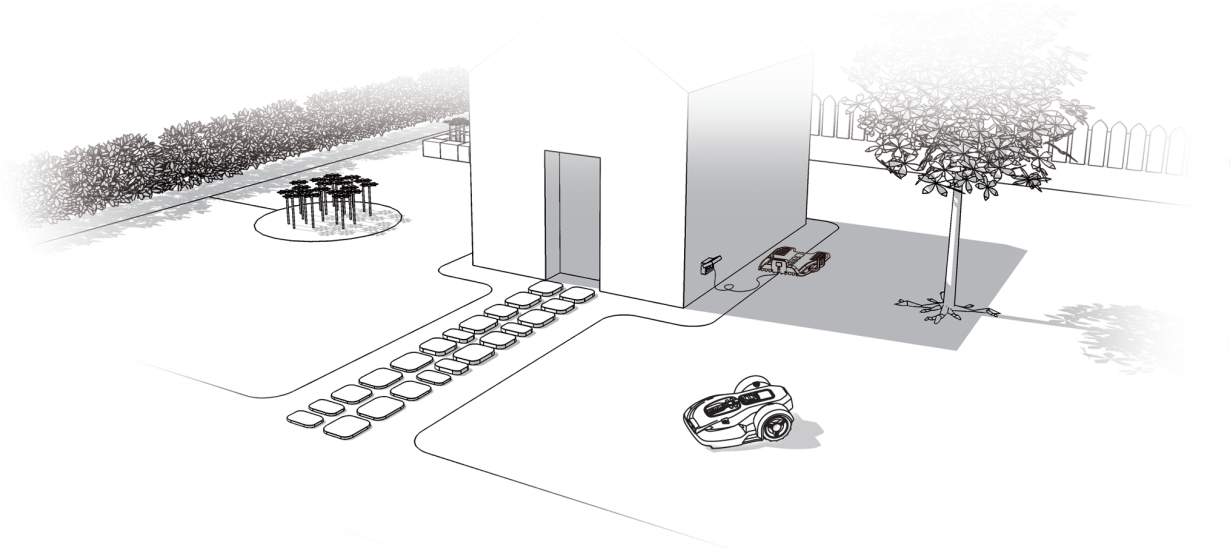
2. Komponentliste



-
- 1. HÅNDTAK**
 - 2. KONTAKTPINNER**
 - 3. LADEBASE**
 - 4. LAVSPENNINGSKABEL**
 - 5. LADESTRIPE**
 - 6. DEKSEL FOR JUSTERING AV GRESSKUTTEHØYDE**
 - 7. ADGANGSPUNKT - FOR Å ÅPNE DEKSEL FOR HØYDEJUSTERING**
 - 8. STOPP-TAST**
 - 9. TASTATURVINDU**
 - 10. LANDROID-PLATTFORM**
 - 11. BAKRE FØRERHJUL**
 - 12. REGNSENSOR**
 - 13. HÅNDTAK**
 - 14. HOVEDKABINETT - INNEHOLDER MOTOR, ELEKTRONIKK OG BATTERI**
 - 15. BATTERIPAKKE**
 - 16. DREIESKIVE MED SKJÆREBLAD**
 - 17. SKJÆREBLAD**
 - 18. FORHJUL**
 - 19. TASTATUR**
 - 20. VISNING**
 - 21. PÅ/AV-TAST**
 - 22. STRØMADAPTER**
 - 23. GRENSETRÅD**
 - 24. TRÅDPLUGGER**
 - 25. FESTESPIKER FOR LADEBASEN**
 - 26. AVSTANDSHOLDER TIL GRENSETRÅD**
 - 27. SEKSKANTNØKSEL**
-

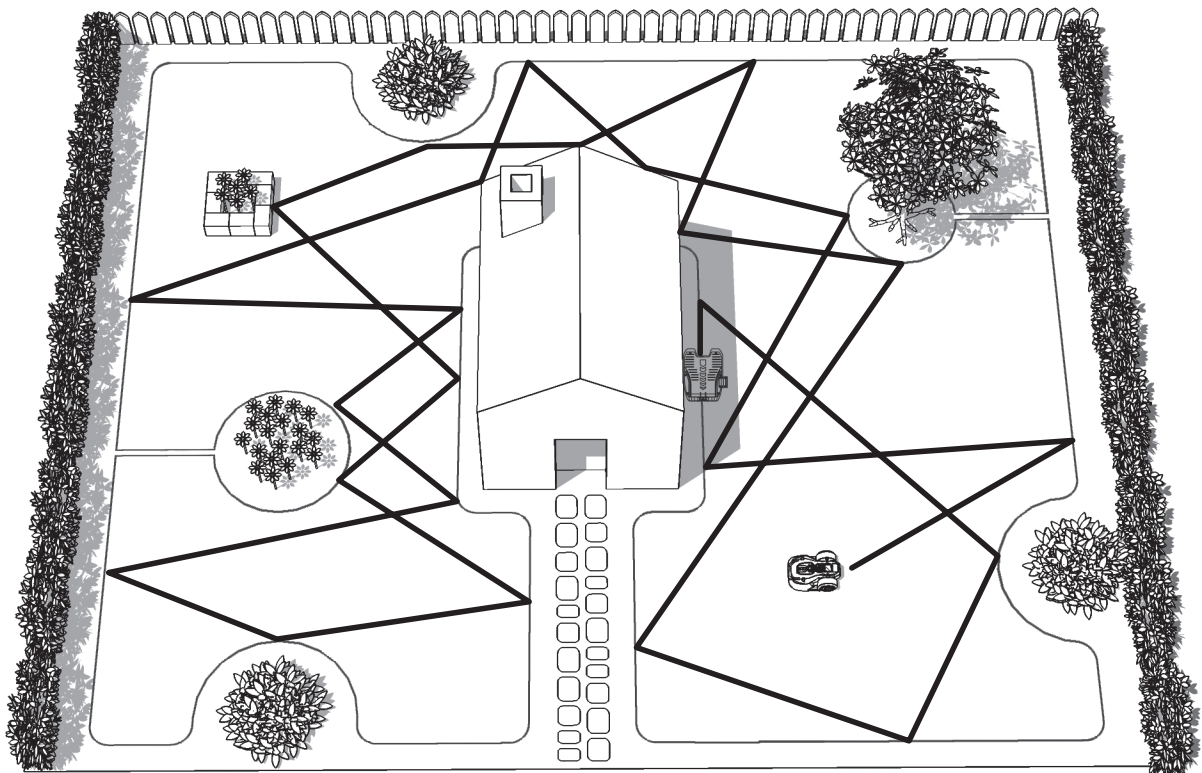
3. Forstå Landroid®L

Vi vil gjerne få gratulere deg med din nye Landroid®L og et bekymringsfritt liv med automatisk gressklipping. Nedenfor skal vi hjelpe deg med å forstå hvordan Landroid®L tenker.



3.1 Hvordan vet Landroid®L hva som skal klippes?

Landroid®L velger retning helt tilfeldig, og gjentar aldri et klippemønster. Den sikrer at hele plenen klippes jevnt uten å etterlate uskjønne klippestier (Se Figur A).



A

3.2 Hvordan vet Landroid®L hvor den skal?

Landroid®L kan gjøre ting på egenhånd. Landroid®L vet når den må gå til ladestasjonen (3) for å lade, har en sensor for regn, kan stoppe seg selv hvis et problem registreres og vet hvordan den kan stoppe, gå tilbake og snu rundt når den støter på noe som blokkerer banen, som en person, et kjæledyr eller annet objekt. For å unngå skade vil Landroid®L automatisk stoppe rotasjon av knivplaten hvis klipperen løftes av bakken.

A. Finne ladestasjonen

Når Landroid®L må lades opp, slutter den å klippe og følger grensetråden(23) i retning mot klokken tilbake til ladestasjonen. Landroid®L er forhåndsprogrammert til å klippe gresset nærme grensetråden en gang i uken.

Hvis du vil klippe gresset nærme grensetråden til andre tider åpner du tastaturvinduet, trykker hjem-knappen og lukker tastaturvinduet. Landroid®L vil stoppe klippingen, finne grensetråden og klippe gresset nærme grensetråden mens den finner ladestasjonen. Så hvis du vil klippe gresset nær grenseledningen, trykker du bare på hjemknappen og lukker tastaturvinduet. Vi foreslår at du bruker denne funksjonen når batteristrømmen er mer enn 75%. Du kan sjekke batterinivået på displayet.

B. Regnsensor

Landroid®L har en regnsensor (12), som registrerer regndråper og forteller Landroid®L at den må slutte å klippe og følge grensetråden tilbake til ladestasjonen (Se Figur B).

Landroid®L kan programmeres slik at starten forsinkes (0–180 min) etter at det har regnet. Når regnsensorene blir våte, går Landroid®L tilbake til forankringsstasjonen. Nedtellingen til start begynner først når regnsensorene er tørre, og Landroid®L begynner straks å klippe plenen hvis forsinkelsen er null. Hvis du vil få Landroid®L til å starte å klippe før tiden som er angitt for "Rain start delay"-funksjonen, trykker du STOPP-tasten (8), tørker av Landroid®L og lukker tastaturskjermen (9), så vet gressklipperen at den skal fortsette å klippe. Nærmere detaljer finnes i veiledningen om programmering og feilsøking.


C. Registrere grensetråden

Landroid®L adlyder alltid grensen angitt av grensetråden, og den har to sensorer foran som den bruker til å registrere om den kommer nærme. Før den endrer retning, krysser Landroid®L grensetråden med inntil 25 centimeter *

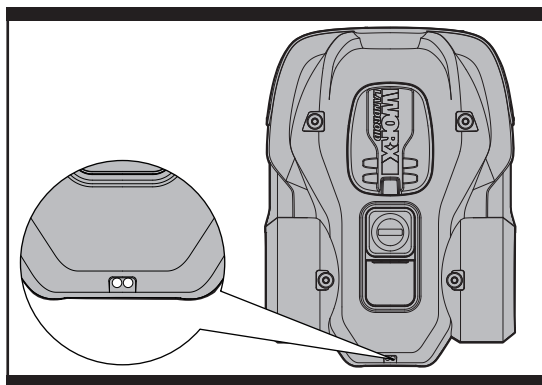
* Dette er anbefalt rekkevidde fordi Landroid®L ikke kan kalkulere distansen selv.

Bruk den medfølgende avstandsholderen for å sikre riktig installasjon.

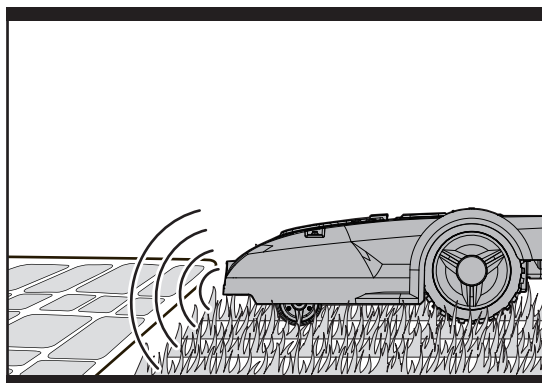
D. Starte og stoppe under klipping

Hvis du vil kommandere Landroid®L til å avslutte plenklippingen, er det bare å trykke på STOPP-tasten (8) på toppen av gressklipperen. Når knappen er trykket på, åpner Landroid®L tastaturskjermen og venter på ny ordre. Den vil ikke begynne å klippe igjen før du trykker  og lukker tastaturvinduet (Se Figur D, E).

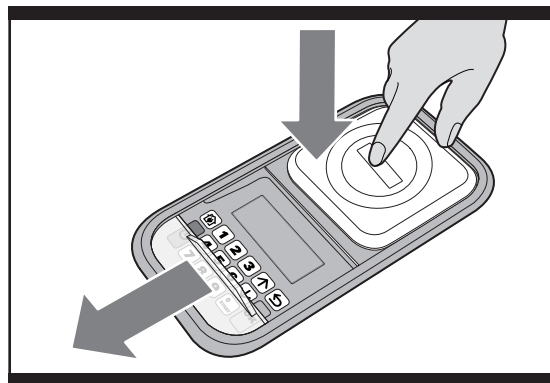
Hvis Landroid®L føler at noe er galt, viser den en feilmelding på skjermen (20) og slår seg av hvis den ikke mottar innmating fra brukeren innen 20 minutter. (Nærmere detaljer finnes i veiledningen om programmering og feilsøking.)



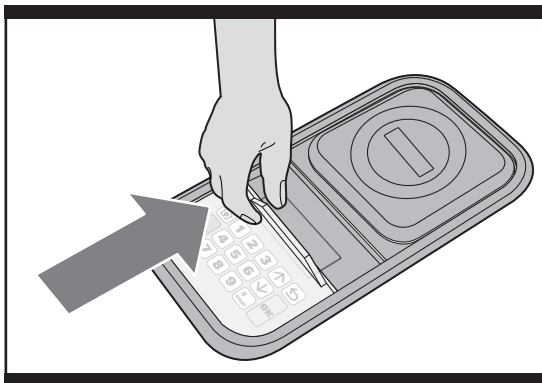
B



C





D





E

For å fortsette:

Tilfelle 1: STOPP Automatisk utkobling etter 20 minutter

- Trykk på STOPP-tasten
- Åpne tastaturskjermen.
- Trykk knappen PÅ/AV (21) to AV
- Trykk -knappen for å rette opp problemet
- Trykk -knappen igjen og lukk tastaturvinduet
- Nå vil Landroid®L begynne å klippe!

Tilfelle 2: STOPP Uten automatisk utkobling

- Trykk på STOPP-tasten
- Åpne tastaturskjermen.
- Trykk -knappen for å rette opp problemet
- Trykk -knappen igjen og lukk tastaturvinduet
- Nå vil Landroid®L begynne å klippe!

3.3 Hvor stort område kan Landroid®L klippe?

Landroid®L kan klippe områder av forskjellige størrelser, men dette avhenger av flere faktorer:

- Gresstype og veksthastighet
- Skarpheten til bladene
- Luftfuktighet
- Utetemperatur
- Mengden hindringer på plenen

Hvis det er veldig kaldt der du bor, kan det hende Landroid®L lades litt senere. Landroid®L bruker mindre strøm i åpne områder med få hindringer, som blomsterbed, fontener, gangveier, osv ...

Du kan finne mer informasjon om standard arbeidstid for Landroid®L for forskjellige plenstørrelser i programmeringsveiledningen.

Klippetider er forskjellige fra plen til plen pga faktorene vi har nevnt tidligere. Foreta en gradvis justering av tiden som Landroid®L skal klippe hver dag, til du finner den innstillingen som passer best.

Du kan også programmere Landroid®L arbeidstid til å passe din tidsplan – se programmeringsguiden.

3.4 Hvor effektivt klipper Landroid®L gresset?

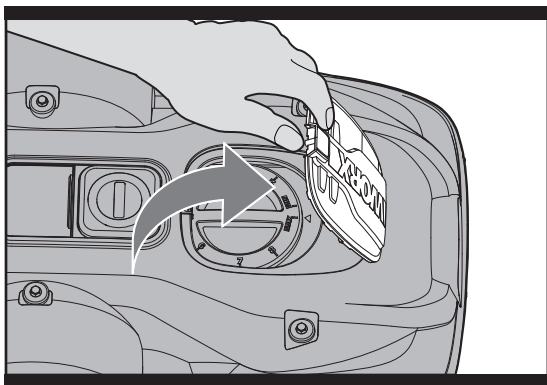
Landroid®L's klippehøyde kan justeres fra 2-6 centimeter. Før du starter Landroid®L for første gang, bør du klippe gresset med en vanlig gressklipper. Sørg for å åpne DEKSLET FOR JUSTERING AV GRESSKLIPPEHØYDE (6) og angi maksimum klippehøyde for Landroid®L, som er 6 centimeter. (Se Figur F, G)

Landroid®L klipper best når det er tørt ute. Den liker ikke vått gress som kan legge seg på knivskiven og i motoren, og det kan også føre til at den mister trekraft og at den slurer under bruk.

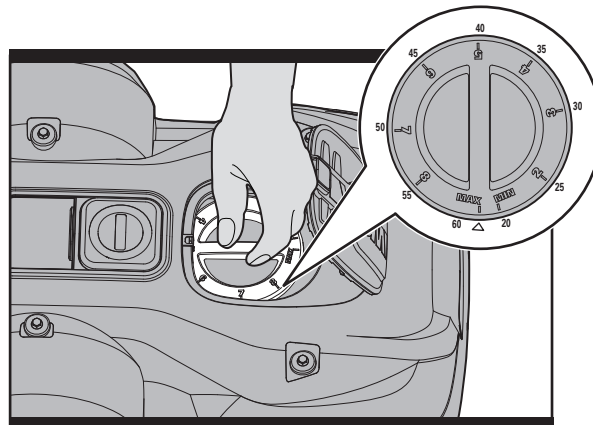
Landroid®L er redd for lyn og torden. Hvis det begynner å lyne, beskytter du Landroid®L ved å fjerne strømledningen fra ladestasjonen(3), koble fra grensetråden(23), og sikre at Landroid®L ikke lades.

Din Landroid®L elsker å klippe gress, meng knivbladene (17) må holdes i god stand for at den skal yte sitt beste. Landroid®L kan gjøre det meste på egenhånd, men trenger av og til litt hjelp av deg for at den ikke skal skade seg.

- Aldri la Landroid®L kjøre over grus.
- Fjern eller blokker hindringer som Landroid®L kan klatre på slik at diskskiven skades.
- Fjern alt avfall og alle fremmedlegemer fra plenen.



F



G

4. Grunnleggende om grensetråden

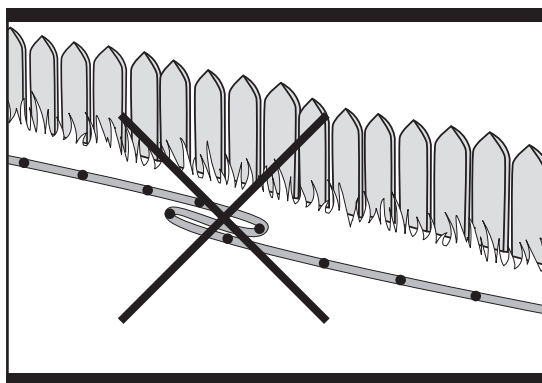
4.1 Feste grensetråden

Bruk avstandsmålet (26) for grensetråden til å bestemme riktig avstand fra kanten av plenen (Mer enn 45cm*).

* Dette er den anbefalte avstanden. Bruk den medfølgende avstandsholderen for å sikre riktig installasjon.

Hvis naboen også bruker en Landroid®L, må du sørge for at det er minst 2 meter mellom din grensetråd og naboen.

Vær oppmerksom på at Landroid®L ikke er i stand til å motta et signal fra grensetråden over en større strekning enn 18m.



H

Grensetråden må nøyaktig avgrense det tilsiktede området som skal klippes.

Landroid®L kan bli forvirret av ekstra svinger eller kveiler av grensetråd som ikke hører til klippeområdet (Se Figur. H). Hvis det blir noe grensetråd til overs etter at klippeområdet er blitt angitt, må den overskytende tråden klippes av og oppbevares på et annet sted. Pass imidlertid på at tråden har tilstrekkelig lengde til å nå frem til ladebasen for tilkobling og fortsatt være nedgravd.

4.2 Grave ned grensetråden

Når du planlegger å grave ned grensetråden, må du være oppmerksom på at Landroid®L kan få problemer med å finne ladebasen den første gangen etter at grensetråden er lagt om. Vi anbefaler derfor at du først plugger grensetråden på plenen, slik at det er lett å foreta justeringer om nødvendig. På denne måten blir Landroid®L kjent i de nye omgivelsene. Dette sikrer vellykket samspill med ladebasen før grensetråden graves ned.

Når du er ferdig med å installere grensetråden, anbefales det at du ber Landroid®L om å følge grensetråden ved å trykke på hjemknappen.

Mens du ser på Landroid®L mens den finner ladestasjonen, kan du da gjøre endringer på grensetrådsruten for å sikre at Landroid®L kan finne ladestasjonen langs grensetråden uten problemer.

4.3 Skjøte grensetråden

Grensetråden (23) kan utvides ganske enkelt ved å avisolere en ende og spleise den til den avisolerte enden av en annen tråd. Bruk isolasjonsteip til å holde de spleisede endene av tråden sammen. (Se Figur. I)

4.4 Slå på og test installasjonen

Hvis det grønne lyset ikke tennes, må du kontrollere strømtilkoblingene.

Hvis LED-lampen blinker grønt, må du kontrollere om grensetråden har god kontakt.

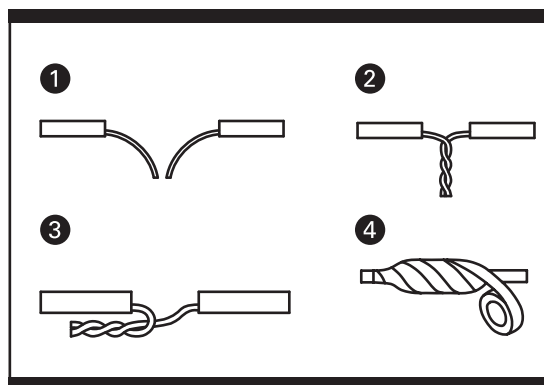
Rødt lys på: lader.

Rødt blinkende lys: Feilmelding, se feilsøking og korriger problemene.

Grønt blinkende lys: Sjekk om grensetråden er riktig koblet til.

Når det grønne lyset på ladestasjonen er tent, plasserer du Landroid®L over grenseledningen. Hvis Landroid®L følger grensen, er den riktig koblet til.

Hvis Landroid®L er innenfor området sitt, men skjermen viser "utenfor arbeidsområde", og LED-lampen på ladestasjonen er grønn, betyr det at du klemte sammen endene på grensetråden feil. Snu dem.



I

5. Programvare oppdatering

Din Landroid®L programvare kan oppdateres når nye versjoner er tilgjengelig. Programvareversjonen vil bli vist i det nedre høyre hjørnet av skjermen. Håndboken i esken er basert på standard programvare brukt i masseproduksjon. Noen nye egenskaper/funksjoner på den nye versjonen finnes kanskje ikke i håndboken. Finner du at noen innstillinger mangler i håndboken, gå til www.worxlandroid.com for å laste ned den siste versjonen. Du kan sjekke programvaren som er installert på din maskin ved å trykke på AV/PÅ knappen.

Den siste programvareversjonen kan lastes ned via vår hjemmeside – se under nedlasting og installasjonsinstruksjoner;

Steg 1: Sjekk den siste versjonen på www.worxlandroid.com

Kopier ".bin"-filen som inneholder den siste programvareversjonen til en **USB-minnebrikke: før du overfører ".bin"-filen må du forsikre deg om at minnepennen ikke inneholder andre filer eller data.**

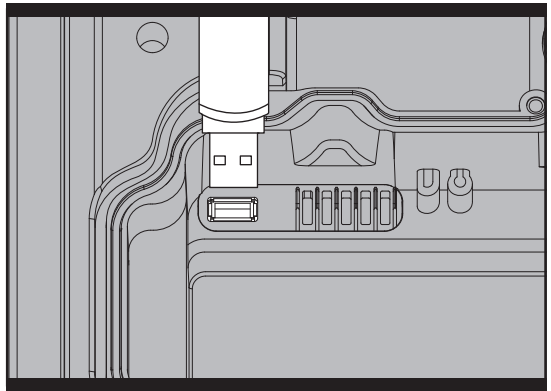
Steg 2: Åpne dekselet i bunn og ta ut batteriet og sett deretter inn U-disken i USB-porten. (Se Figur J1)

Steg 3: Sett inn batteriet og hold inne AV/PÅ-knappen i 10 sekunder til klipperen slås på. Den nye programvareversjonen vises nederste til høyre i displayet. (Se Figur J2)

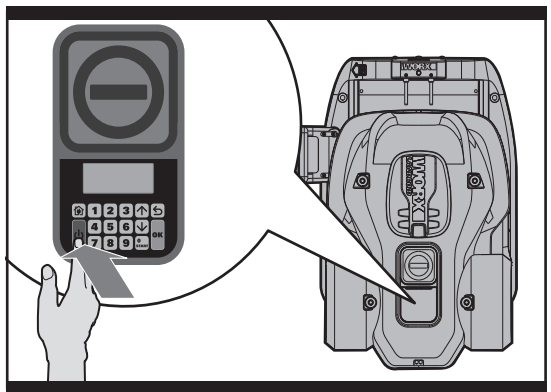
Steg 4: Fjern minnepennen og sett tilbake batteridekselet.

Steg 5: Etter at du har installert den nye programvaren må du restarte det diagnostiske panelet på din robotklipper. Plasser først robotklipperen på et horisontalt underlag.

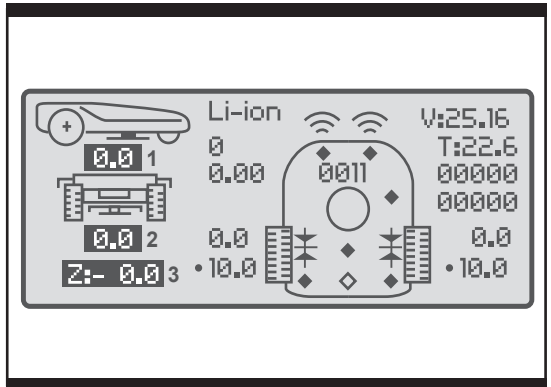
Trykk deretter tast "2" for å gå til det diagnostiske grensesnittet, trykk så "5"-tasten og hold den nede noen sekunder inntil de tre numrene 1, 2 og 3 markert nedenfor går tilbake til null. (Se Figur J3)



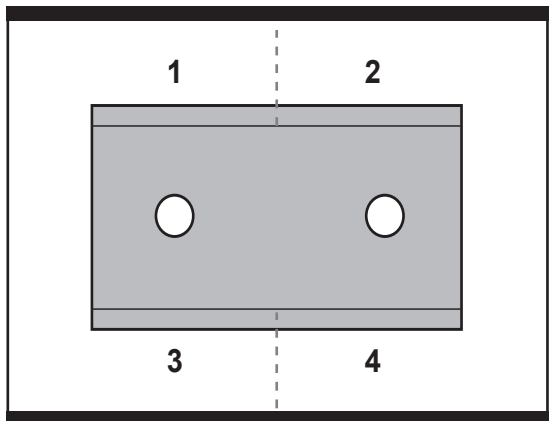
J1



J2



J3



K

6. Vedlikehold

Landroid®L bør sjekkes av og til. Landroid®L jobber hardt, og over tid trenger den en skikkelig rengjøring, og deler må byttes når de er slitt. Nedenfor skal vi forklare hvordan du tar vare på din Landroid®L.

6.1 Holde den skarp

ADVARSEL: Før rengjøring, justering eller bytting av blader, må Landroid®L slås av ved å trykke på AV/PÅ tasten, og du må bruke beskyttelseshansker.

ADVARSEL: Ved utskifting av knivene må ALLE knivene skiftes. Bruk alltid nye skruer når du monterer blader. Dette er viktig for å holde bladet på plass. Hvis det ikke brukes nye skruer kan det forårsake alvorlig personskade.

Landroid®L klipper ikke gresset på samme måte som andre gressklippere. Bladene (17) er sylskarpe på alle fire sider og roterer i begge retninger for å yte optimal klippekapasitet. (Se Figur K) Hvert knivblad på din Landroid®L har 4 skjær. Avhengig av hvor ofte Landroid®L klipper plenen din vil knivbladene måtte vippes/dreies periodisk for en balansert kutteflate. Hvis din Landroid®L er programmert til å klippe plenen hver dag, må knivbladene roteres månedlig for best klipperesultat. Hvert enkelt skjær på knivbladet vil vare opptil 4 måneder når den er programmert til å klippe hver dag. Når knivene er uskarpe og slitt, bør de erstattes med reservebladene som følger med din Landroid®L. Reserveblader er også tilgjengelig hos din nærmeste Worx-forhandler.

A. Bytte om på og vende bladene

Landroid®L har blader som er skrudd fast i bladskiven. Det er bladene som lar Landroid®L gjøre jobben sin, og de trenger stell og tilsyn. En og annen gang må du bytte om på og vende alle bladene for å sikre perfekt klipperesultat. Når bladene vendes og byttes om på, må du huske å justere alle bladene samtidig, ellers er kanskje ikke bladskiven avbalansert lenger. Hvis Landroid®L klipper etter vanlig tidsplan (daglig), bør bladene holde i en sesong, hvis de byttes om på og vendes hver måned. Sjekk alltid om bladene har hakk eller skader, og bytt dem hvis så er tilfelle.

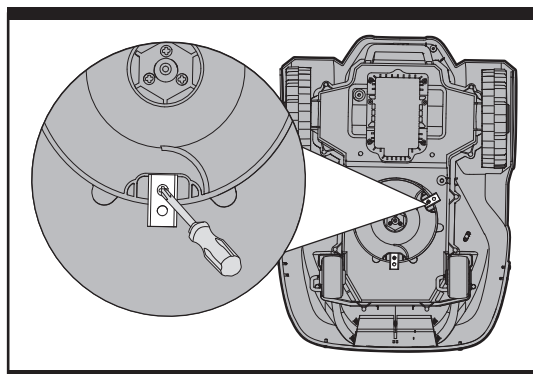
B. Bytte bladene(Se Figur L)

Etter en viss tid, vanligvis hver sesong, må bladene på Landroid®L byttes. Landroid®L liker ikke å klippe gresset med blader som har forskjellig alder og kvalitet. Derfor må du bytte alle bladene samtidig. Du kan erstatte dem med et av de ekstra bladsettene og bladskruesettene som fulgte med Landroid®L.

Før du begynner å skifte ut Landroid®L's kniver, skru av strømmen og ta på deg beskyttelseshansker. Deretter følger du følgende trinn:

1. Snu Landroid®L forsiktig rundt
2. Fjern batteridekslet og ta ut batteriet.
3. Ta skruene av knivene med en skrutrekker.
4. Skru de nye bladene godt fast.
5. Sett i batteriet igjen, og sett på batteridekslet.

VIKTIG: Etter at bladene er skrudd fast i bladskiven, må du sjekke at bladene roterer fritt.



L

6.2 Holde den ren

! ADVARSEL: Før den rengjøres, må du slå av Landroid®L ved å trykke på AV/PÅ tasten. Ta på deg beskyttelseshansker før du rengjør bladskiven (16), og unngå bruk av rennende vann (Se Figur M).

A. Rengjøre karosseriet

Landroid®L lever mye lengre og lykkeligere hvis den rengjøres regelmessig. Men husk at Landroid®L er en elektrisk maskin, så du må være forsiktig når du rengjør den. IKKE bruk vannslange eller tøm rennende vann på Landroid®L. Det er best å bruke en sprayflaske med vann. Når du rengjør maskinen utvendig bør du bruke en myk børste eller en ren klut og unngå bruk av løsemidler eller poleringsmidler (Se Figur M). Og pass til slutt på at du fjerner alt gress og rusk.

B. Rengjøring av undersiden

Også nå er det viktig å slå av Landroid®L med AV/PÅ tasten og ta på beskyttelseshansker før man rører bladskiven.

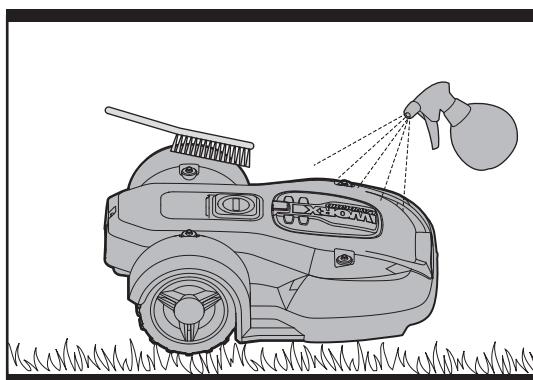
Først, vend din Landroid®L opp ned for å komme til på undersiden Her ser du bladskiven, hovedkabinettet, samt for-og drivhjul. Rengjør alt grundig med en myk børste eller fuktig klut.

Roter bladskiven for å sikre at den roterer fritt. Sjekk at bladene spinner fritt rundt festeskruene. Fjern eventuelle hindringer.

VIKTIG: Fjern avfall som har kilt seg fast slik at det ikke forårsaker hakk i bladskiven. Selv små hakk kan forringe Landroid®L's klippegenskaper.

C. Rengjør kontaktpinnene og ladestripene

Rengjør kontaktpinnen (2) på ladebasen (3) og ladestripen (5) på Landroid®L med en klut. Fjern all oppsamling av klippet gras og avfall rundt kontaktpinnene og ladestripene med jevne mellomrom for å sikre at Landroid®L lades opp hver gang.



M

6.3 Batterilevetid

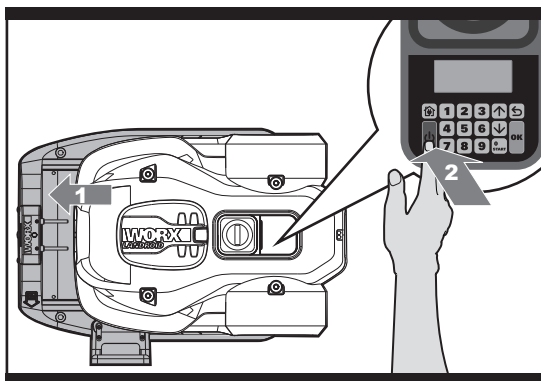
Hjertet i Landroid®L er litium-ionbatteriet på 28 V. Intet vedlikehold kreves. Riktig oppbevaring av batteriet innebærer at det er fulladet og settes på et tørt sted med en temperatur mellom 20° og 60 °C. Levetiden til Landroid®L's batteri avhenger av forskjellige faktorer, som for eksempel:

- Hvor lang klippesesongen er der du bor
- Hvor mange timer Landroid®L klipper per dag
- Hvordan batteriet behandles under lagring

Landroid®L kan lades manuelt uten grensetråden. (Se Figur N)

For å lade batteriet manuelt uten å koble grensetråden til ladebasen;

- 1. Koble ladebasen til en passende strømkilde**
- 2. Forankre Landroid®L manuelt i ladebasen mens Landroid®L er slått av.**
- 3. Ladebasens røde lampe tennes.**
- 4. Innen 3 sekunder og før ladebaselampen lyser grønt trykker du på Landroid®L strømbryter PÅ/AV knappen.**
- 5. Landroid®L vil starte å lade.**



N

6.4 Vinterdvale

Landroid®L får lengre levetid og fungerer bedre hvis den får gå i dvale om vinteren. Så selv om det er tøft, anbefaler vi at du lagrer Landroid®L i uteboden eller garasjen om vinteren.

Før du lagrer Landroid®L for vinteren, må du huske følgende:

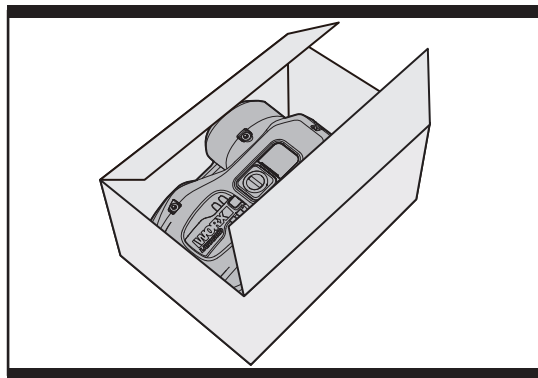
- Rengjør Landroid®L skikkelig.
- Lad batteriet helt opp.
- Slå av strømmen.

Batteriet bør lades helt opp en gang i løpet av vinteren for at det skal være i best mulig stand neste sesong.

Når den lagres, skal Landroid®L stå flatt på alle fire hjul på et tørt sted, borte fra snø og is. Det anbefales at Landroid®L lagres i originalemballasjen. Det er også best å oppbevare ladestasjonen, lavstrømskabelen (4) og transformatoren (22) innendørs om vinteren (Se Figur O)

Grensetråden kan bli liggende på bakken, men endene bør beskyttes, for eksempel ved å plassere dem i en hermetikkboks med smørefett. Hvis ladestasjonen står ute om vinteren, la Grensetråden være koblet til.

OBS: Når Landroid®L tas fram igjen etter vinterdvalen, må du kontrollere at ladestrimmel (5) and kontaktpinner (2) er rene. Det er best å bruke finkornet smergellerret til dette. Deretter sjekker du at dato og klokkeslett er riktig, og setter Landroid®L i gang med å gjøre det den liker best; å klippe gress.



O

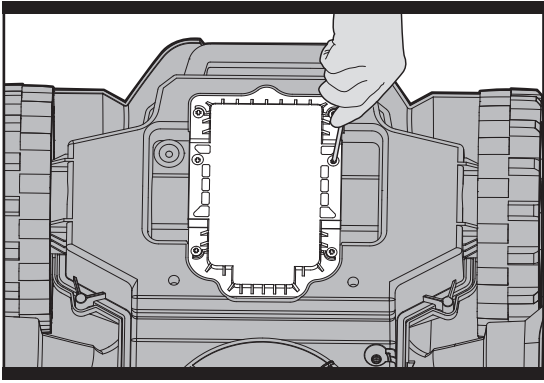
6.5 Bytte batteriet



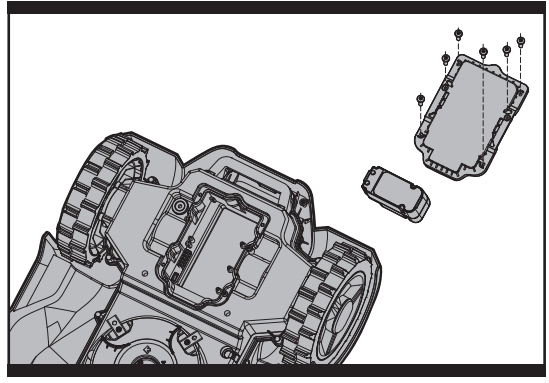
ADVARSEL: Slå av maskinen ved å trykke på AV/PÅ tasten før du justerer, bytter eller reparerer noe som helst.

Når du skal bytte batteriet, følger du disse trinnene:

1. Snu Landroid®L forsiktig opp-ned.
2. Fjern de seks skruene fra batteriet. (Se Figur P)
3. Ta ut det gamle batteriet. (Se Figur Q)
4. Sett inn det nye batteriet.
5. Fest de 6 skruene godt.




P



Q

Miljøverntiltak

 Avfall etter elektriske produkter må ikke legges sammen med husholdningsavfall. Vennligst resirkuler avfallet der dette finnes. Undersøk hos de lokale myndighetene eller en detaljist for resirkuleringsråd.


BRUKSANVISNING I ORIGINAL

INNEHÅLLSFÖRTECKNING

1. Säkerhetsinstruktioner	59
1.1 Allmänna & specifika säkerhetsinstruktioner	59
1.2 Information om Landroid®L	61
2. Dellista	62
3. Lär känna din Landroid®L	64
3.1 Hur vet min Landroid®L var den ska klippa gräset?	64
3.2 Hur vet min Landroid®L vart den ska ta vägen?	65
A. Hitta laddningsbasen	65
B. Regnsensorer	65
C. Känna av gränstråden	65
D. Starta och stoppa under gräsklippning	65
3.3 Hur stor gräsmatta klarar min Landroid®L av att klippa?	66
3.4 Hur effektivt kommer min Landroid®L att klippa gräset?	66
4. Gränstråd	67
4.1 Pegga gränstråden	67
4.2 Gräva ner gränstråden	67
4.3 Skarva gränstråden	67
4.4 Sätta på och testa installationen	67
5. Uppdatering av mjukvaran	68
6. Underhåll	68
6.1 Skärpa	68
A. Roter och vända på bladen	69
B. Byta ut bladen	69
6.2 Rengöring	69
A. Rengöra stommen	69
B. Rengöring av undersidan	69
C. Rengör kontaktstiften och laddningsremsorna	69
6.3 Batterilivstid	70
6.4 Vinterförvaring	70
6.5 Byta ut batteriet	70

1. Säkerhetsinstruktioner

1.1 Allmänna & specifika säkerhetsinstruktioner

 **WARNING: Läs igenom alla varningar och säkerhetsinstruktioner. Underlåtelse att beakta varningar och säkerhetsinstruktioner kan leda till elstöt, brand och/eller allvarlig personskada. Läs noga igenom instruktionerna för att kunna använda enheten på ett säkert sätt.**

Spara alla varningar och säkerhetsinstruktioner för framtida referens.

- Denna apparat är inte avsedd att användas av personer (inklusive barn) med nedsatt fysisk, sensorisk eller mental förmåga, eller bristande erfarenhet och kunskap, såvida de inte har fått instruktioner om hur apparaten används eller övervakas av en person som ansvarar för deras säkerhet.
- Barn måste övervakas för att säkerställa att de inte leker med apparaten.
- Apparaten bör endast användas med det medföljande nätaggregatet.

VIKTIGT

LÄS NOGA FÖRE ANVÄNDNING

SPARA FÖR FRAMTIDA REFERENS

SÄKER ANVÄNDNINGSPRAXIS

Utbildning

- a) Läs noga igenom bruksanvisningen. Se till att du har förstått instruktionerna och sätt dig in i kontrollerna och hur man använder enheten på rätt sätt.
- b) Låt aldrig barn eller personer som inte satt sig in i dessa instruktioner använda enheten. Det kan finnas lokala bestämmelser med åldersgräns för operatören.
- c) Operatören eller användaren ansvarar för olyckor eller faror som drabbar andra personer eller deras egendom.

Förberedelser

- a) Kontrollera att det automatiska avgränsningssystemet är korrekt installerat i enlighet med de givna instruktionerna.
- b) Inspektera regelbundet området där apparaten ska användas och avlägsna alla stenar, pinnar, trådar och andra främmande föremål.
- c) Inspektera regelbundet blad, bladbultar och klippenhet visuellt för att säkerställa att de inte är slitna eller skadade. Byt ut slitna eller skadade blad och bultar uppsättningsvis för att bibehålla balansen.
- d) Var försiktig med maskiner som har flera blad, eftersom ett roterande blad kan få även de övriga bladen att rotera.
- e) **WARNING!** Gräsklipparen skall ej användas utan att skyddet finns på plats.

DRIFT

1. ALLMÄNT

- a) Använd aldrig enheten med trasiga skydd eller utan att säkerhetsanordningar som t.ex. deflektorer sitter på plats.
- b) Placera inte händer eller fötter nära eller under roterande delar. Ställ dig aldrig ivägen för utloppsöppningen.
- c) Lyft aldrig upp och bär inte enheten medan motorn är igång.
- d) Använd avaktiveringsanordningen från apparaten.
 - Innan du tar bort något som fastnat
 - Innan du inspekterar, rengör eller reparerar enheten
- e) Det är inte tillåtet att modifiera robotgräsklipparens originalutformning. Alla modifieringar görs på egen risk.
- f) Starta robotgräsklipparen enligt instruktionerna. När strömbrytaren befinner sig i läget ON (på), var noga med att hålla händer och fötter borta från de roterande bladen. För aldrig in händer eller fötter under gräsklipparen.
- g) Lyft aldrig upp robotgräsklipparen och bär inte runt den medan strömbrytaren befinner sig i läget ON (på).
- h) Låt inte personer som inte vet hur robotgräsklipparen fungerar, använda den.
- i) Lagg ingenting ovanpå robotgräsklipparen eller dess laddningsstation.
- j) Använd inte robotgräsklipparen med en defekt bladskiva eller stomme. Använd den inte heller med defekta blad, skruvar, muttrar eller sladdar.
- k) Stäng alltid av robotgräsklipparen med strömbrytaren när du inte tänker använda den. Robotgräsklipparen kan bara starta när strömbrytaren förs till läget ON (på) och rätt PIN-kod har angetts.

2. NÄR ROBOTGRÄSKLIPPAREN KÖRS AUTOMATISKT

- a) Låt inte enheten köra automatiskt utan övervakning på områden där det finns husdjur, barn eller andra personer.

UNDERHÅLL OCH FÖRVARING

 **WARNING! När du vänder upp och ner på robotgräsklipparen måste strömbrytaren alltid vara inställd på OFF.**

Strömbrytaren måste alltid vara inställd på OFF vid allt arbete under robotgräsklipparens ram, som t.ex. rengöring eller utbyte av blad.

- a) Se till att alla muttrar, bultar och skruvar är ordentligt åtdragna så att enheten hålls i säkert bruksskick.

- b) Inspektera robotgräsklipparen varje vecka och byt ut slitna eller skadade delar för säkerhets skull.
- c) Kontrollera i synnerhet att varken blad eller bladskiva är skadade. Byt ut alla blad och skruvar uppsättningsvis, så att de roterande delarna behåller sin balans.
- d) Se till att endast använda klippdelar av rätt typ vid utbyte.
- e) Ladda endast batteriet med den laddare som rekommenderas av tillverkaren. Delaktig användning kan leda till elstöt, överhettning eller läckage av frätande vätska från batteriet.
- f) Om elektrolyt skulle läcka ut, spola med vatten/neutraliserande medel, och uppsök läkare om elektrolyten kommer i kontakt med ögon osv.
- g) Service av enheten måste utföras i enlighet med tillverkarens instruktioner.

Transport

Använd originalförpackningen om robotgräsklipparen ska transporteras en längre sträcka.

Så här lämnar/går du in i arbetsområdet på ett säkert sätt:

- a) Tryck på STOP knappen för att stoppa klipparen.
- b) Du valde den fyra siffrorna i PIN-koden när du startade klipparen första gången.
- c) Stäng alltid av robotgräsklipparen om du avser att bära den.
- d) Du bär robotgräsklipparen i handtaget som sitter undertill baktill på robotgräsklipparen. Bär robotgräsklipparen så att bladskivan är bortvänd från din kropp.



Säkerhetsföreskrifter för batteriet

- a) **Ta inte isär batteriet, öppna inte heller batteriet eller sära på battericeller.**
- b) **Kortslut inte batteriet. Förvara inte batteriet på ett slarvigt sätt i en låda där det kan kortslutas eller skadas av ledande material.** När batteriet inte används, håll det borta från metallobjekt, såsom pappersgem, pengar, nycklar, naglar, skruvar eller andra små metallobjekt som kan leda ström från en terminal till en annan. Om batteriterminalerna kortsluter varandra kan de förorsaka brandrisk.
- c) **Exponera inte batteriet för eld eller värme. Undvik förvaring i direkt solljus.**
- d) **Utsätt inte batteriet för mekanisk chock.**
- e) **Om batteriet läcker, låt inte vätskan komma i kontakt med hud eller ögon. Om så ändå skulle hända, skölj med mycket vatten och sök läkarhjälp.**
- f) **Sök omedelbar läkarhjälp om någon har svält en battericell eller batteriet.**
- g) **Håll batteriet rent och torrt.**
- h) **Batterier fungerar bäst när de används vid normal rumstemperatur (20°C ± 5°C).**
- i) **När du kasserar batteriet, se till att hålla batterier med olika elektrokemiska system ifrån varandra.**
- j) **Ladda endast med laddare av varumärket WORX.** Använd ingen annan laddare än den som specifikt ska användas med det här batteriet. En laddare som passar för en viss typ av batteri kan förorsaka brandrisk vid användning tillsammans med ett annat batteri.
- k) **Använd inte ett batteri som inte är avsett för användning med det här verktyget.**
- l) **Håll batteriet borta från barn.**
- m) **Behåll den ursprungliga bruksanvisningen för framtida användning.**
- n) **Kassera batteriet på rätt sätt.**

1.2 Information om Landroid®L



VARNING – ROBOTGRÄSKLIPPARE kan vara farliga om de används på fel sätt.

Läs noga igenom bruksanvisningen och sätt dig in i dess innehåll innan du använder din ROBOTGRÄSKLIPPARE.



VARNING – Håll ett säkerhetsavstånd från enheten när den är igång.



VARNING – Stäng av enheten innan du utför arbete på den eller lyfter upp den.



VARNING – Åk inte på enheten.



Kasta inte in i eld



Batterier kan komma i kontakt med vattensystemet om de avyttras felaktigt, vilket kan vara farligt för ekosystemet. Kasta inte förbrukade batterier i de vanliga hushållssoporna.



Batterier ska återvinnas. Kasta inte uttjänta batterier som osorterat hushållsavfall.

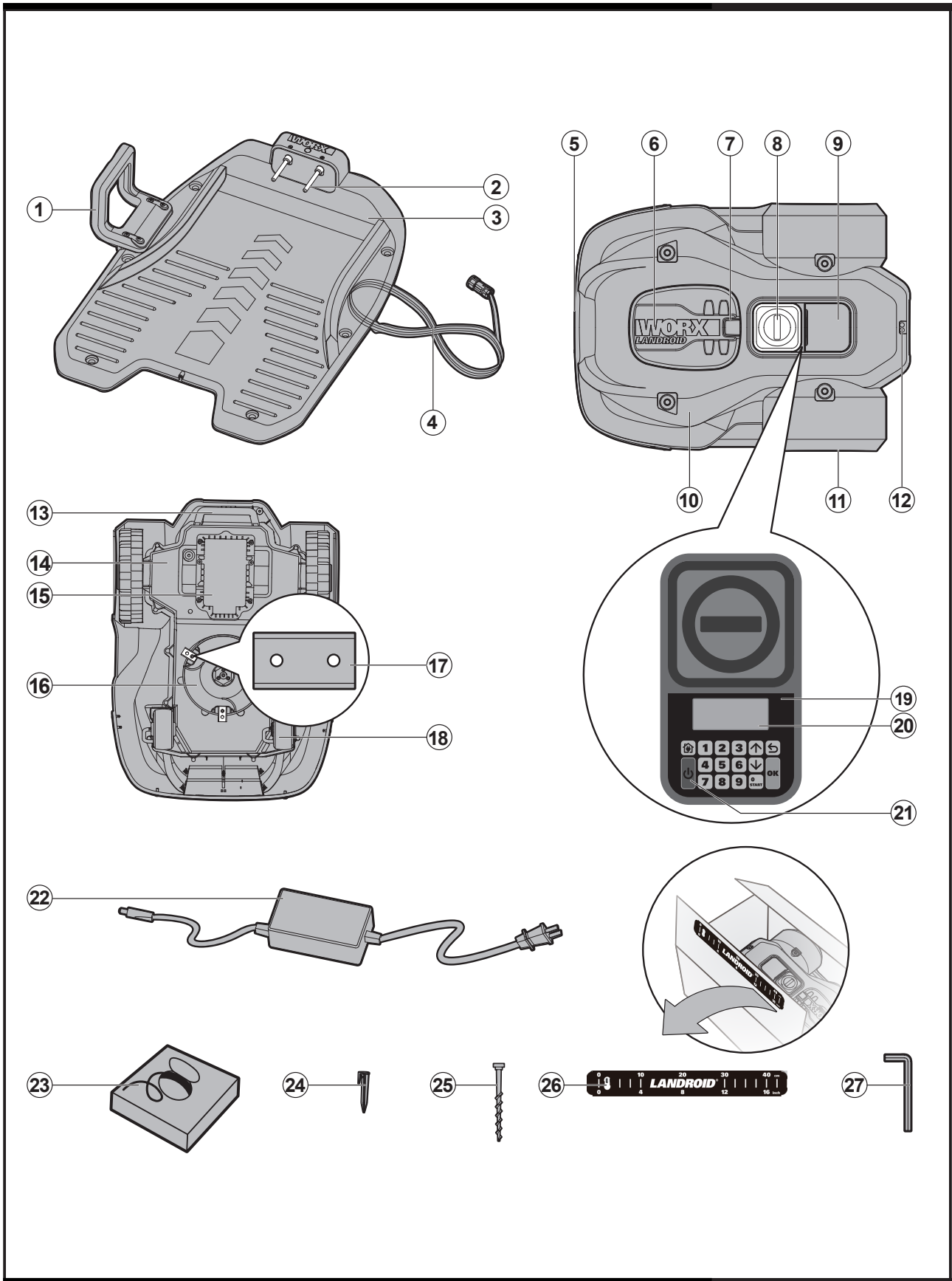


Tvätta inte maskinen med högtrycksvätt.



Elektriska avfallsprodukter får inte kasseras med hushållsavfallet. Återvinn på återvinningscentraler. Kontakta dina lokala myndigheter eller återförsäljaren för återvinningsråd.

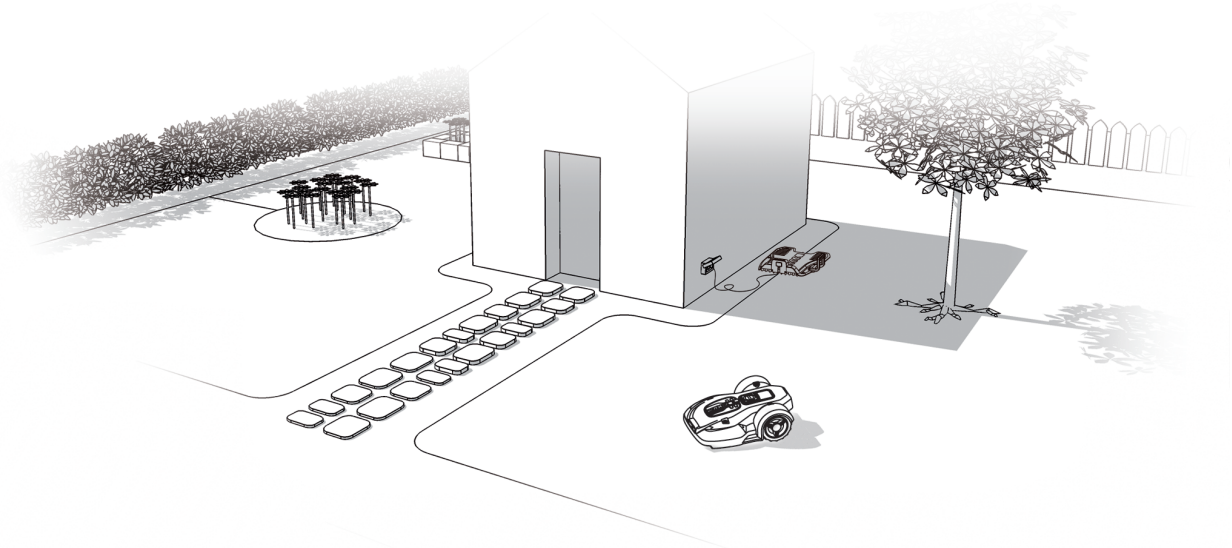
2. Dellista



- 1. HANDTAGSSTÅNG**
- 2. KONTAKTSTIFT**
- 3. LADDNINGSBAS**
- 4. LÅGSPÄNNINGSSLADD**
- 5. DISPLAYFÖNSTER**
- 6. LOCK FÖR JUSTERING AV KLIPPHÖJD**
- 7. ÅTKOMSTPUNKT - ÖPPNAR LOCKET FÖR HÖJDJUSTERING.**
- 8. STOP KNAPPEN**
- 9. KNAPPSATSFÖNSTER**
- 10. LANDROID-KÅPA**
- 11. BAKRE DRIVHJUL**
- 12. REGSENSOR**
- 13. HANDTAG**
- 14. HUVUDKÅPA - INNEHÅLLER MOTOR, ELEKTRONIK OCH BATTERI.**
- 15. BATTERIPAKET**
- 16. BLADVÄNSKIVA**
- 17. SKÄRBLAD**
- 18. FRAMHJUL**
- 19. KNAPPSATS**
- 20. DISPLAY**
- 21. ON/OFF- KNAPP**
- 22. STRÖMADAPTER**
- 23. GRÄNSTRÅD**
- 24. TRÅDPEGGAR**
- 25. FÄSTDON FÖR LADDNINGSBAS**
- 26. AVSTÅNDSMÄTARE FÖR GRÄNSTRÅD**
- 27. INSEXNYCKEL**

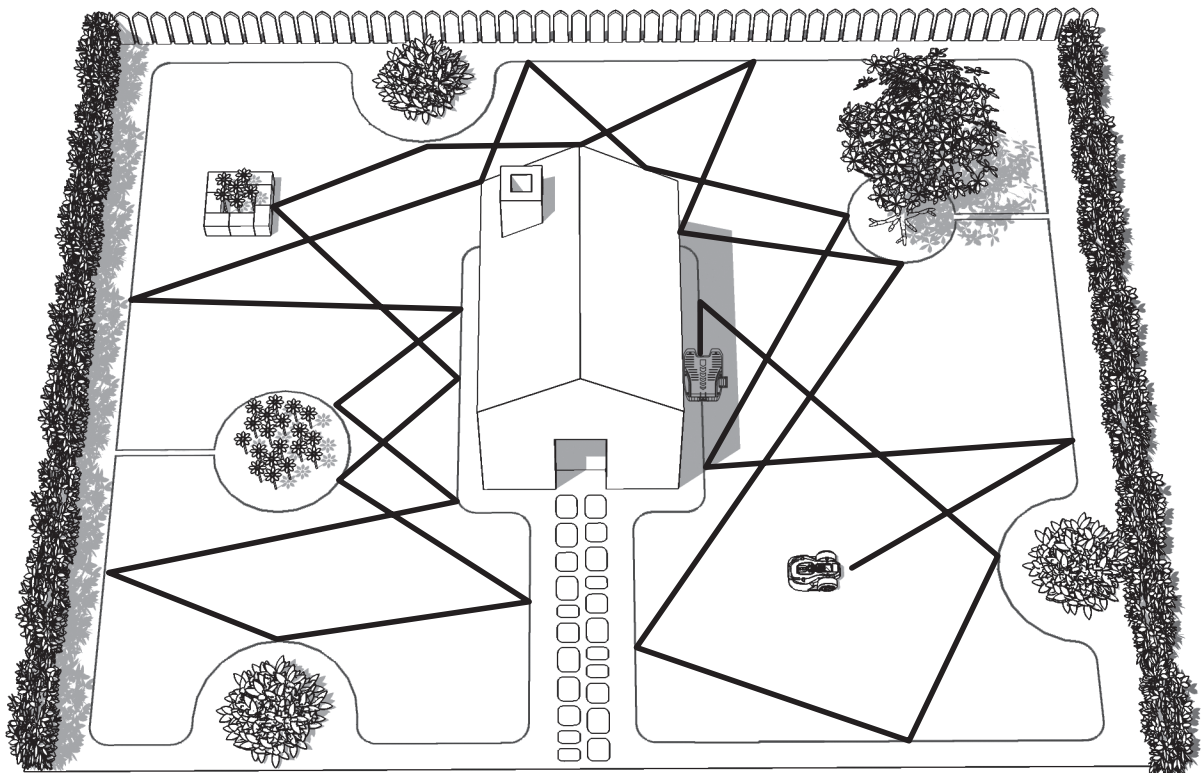
3. Lär känna din Landroid®L

Grattis till ditt köp av din nya Landroid®L och välkommen till robotgräsklippningens bekymmersfria värld. Här nedanför vill vi hjälpa dig att förstå hur din Landroid®L fungerar.



3.1 Hur vet min Landroid®L var den ska klippa gräset?

Landroid®L väljer riktning slumpvis. Den ser till att hela gräsmattan blir jämnt klippt utan fula klippspår (Se Fig. A).



A

3.2 Hur vet min Landroid®L vart den ska ta vägen?

Din Landroid®L sköter sig själv. Landroid®L vet när den behöver gå till dess laddningsbas (3) för laddning, känner av när det regnar, kan stoppa sig själv när den känner av problem och vet när den ska stoppa, dra sig tillbaka och svänga runt när det stöter in i något som blockerar vägen eller andra föremål. Landroid®L kommer också automatiskt att stoppa roteringen av dess bladsvängskiva (16) om den lyfts upp från marken för att förhindra olyckor.

A. Hitta laddningsbasen

När din Landroid®L behöver laddas avbryter den gräsklippningen och följer gränstråden (23) i en motursrörelse tillbaka till sin laddningsbas. Landroid®L är förprogrammerad att klippa gräset nära gränstråden en gång i veckan.

Om du vill klippa gräset nära gränstråden vid andra tidpunkter, öppna knappsatsfönstret och tryck på hemknappen och stäng sedan knappsatsfönstret. Landroid®L kommer att avbryta klippningen och leta upp gränstråden och klippa gräset nära gränstråden medan den letar upp laddningsstationen. Så om du vill klippa gräset nära gränstråden, tryck bara på hemknappen och stäng knappsatsfönstret. Vi föreslår att du använder denna funktion när batterienergin är mer än 75%. Du kan kontrollera strömmen i displayen.

B. Regnsensorer

Din Landroid®L har en regnsensor (12) som känner av regndroppar och säger åt din Landroid®L att avbryta gräsklippningen och följa gränstråden tillbaka till laddningsbasen (Se Fig. B).

Landroid®L is programmerbara funktion har en fördröjd startfunktion (0-180 minuter) när det regnar. När regnsensorn är våt återgår Landroid®L till dockningsstationen. Endast när regnsensorn torkat kommer Landroid®L att påbörja den fördröjda nedräkningen eller återgå till klippningen omedelbart. Om du vill beordra din Landroid®L att börja klippa gräset före den

tid du ställt in i funktionen "fördröjd start vid regn", tryck då på STOP-knappen (8), torka av din Landroid®L och stäng knappsatsfönstret (9) för att säga åt enheten att börja klippa gräset igen. Se programmerings- och felsökningsguiden för mer information.

C. Känna av gränstråden

Landroid®L respekterar alltid gränstråden och har två sensorer framtill som varnar den när den närmar sig gränstråden (Se Fig. C). Innan din Landroid®L ändrar riktning, kan den överskrida gränstråden med upp till 25cm*.

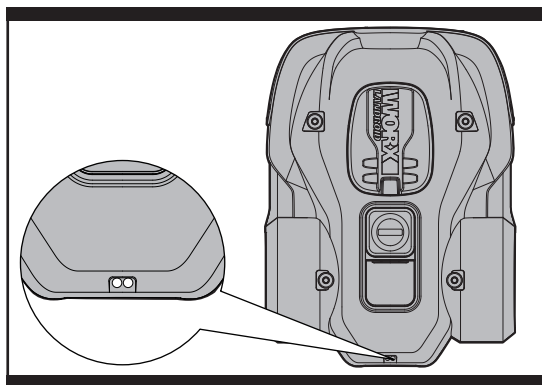
*Rekommenderat avstånd, eftersom Landroid®L inte kan beräkna avståndet själv. Använd den medföljande avståndsmätaren för korrekt installation.

D. Start och stopp under gräsklippning

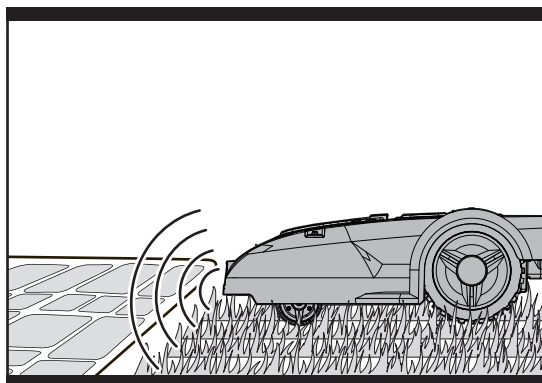
Om du vill beordra din Landroid®L att sluta klippa trycker du på STOP-knappen (8) på enheten. När du tryckt på knappen öppnar din Landroid®L knappsatsfönstret och inväntar vidare instruktioner. Den kommer inte att börja klippa innan du tryckt

 och stängt knappsatsfönstret. (Se Fig. D,E)

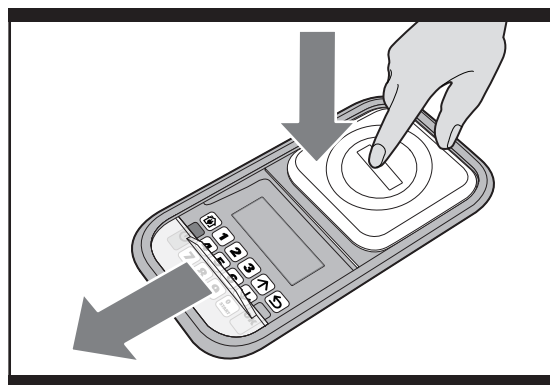
Om din Landroid®L känner av att något är fel visar den ett felmeddelande i displayen (20) och stänger av sig om den inte får



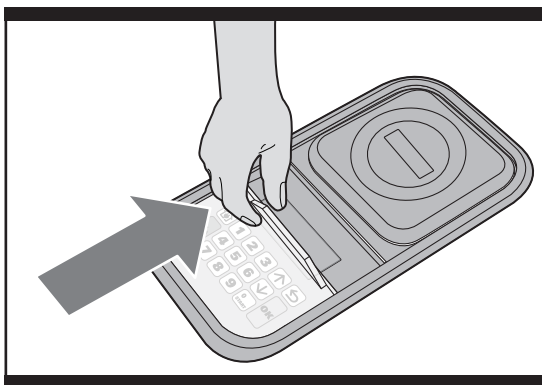
B



C



D





E


någon inmatning från användaren inom loppet av 20 minuter (för information om felmeddelanden, se programmerings- och felsökningsguiden).

För att summera:

Scenario 1: STOP – Automatisk nedslängning efter 20 minuter

- Tryck på STOP-knappen
- Öppna knappsatsfönstret
- Ställ in ON/OFF-knappen (21) till ON
- Tryck på  knappen för att åtgärda problemet
- Tryck på knappen  igen och stäng knappsatsfönstret
- Nu börjar din Landroid®L att klippa gräset!

Scenario 2: STOP utan automatisk nedstängning

- Tryck på STOP-knappen
- Öppna knappsatsfönstret
- Tryck på  knappen för att åtgärda problemet
- Tryck på knappen  igen och stäng knappsatsfönstret
- Nu börjar din Landroid®L att klippa gräset!

3.3 Hur stor gräsmatta klarar min Landroid®L av att klippa?

Din Landroid®L kan klippa gräsmattor på upp till cirka olika stora områden, även om detta beror på olika faktorer såsom:

- Gräsmattans grässort och dess växthastighet
- Bladens skärpa (17)
- Fuktighet
- Temperaturen
- Mängden hinder på gräsmattan

Om temperaturen är väldigt hög där du bor kan det krävas något längre tid för att ladda din Landroid®L. Landroid®L använder mindre energi i öppna områden med mindre hinder såsom blomrabbatter, fontäner, gångstigar och så vidare.

Du hittar standardarbetstiderna för Landroid®L för olika stora gräsmattor i programmeringsguiden

Klipptiderna varierar från gräsmatta till gräsmatta beroende på de faktorer som nämndes ovan. Justera klipptiden för din Landroid®L efterhand tills du hittar den lämpligaste inställningen.

Du kan också programmera Landroid®L arbetstid så att det passar ditt schema-se programmeringsguiden.

3.4 Hur effektivt kommer min Landroid®L att klippa gräset?

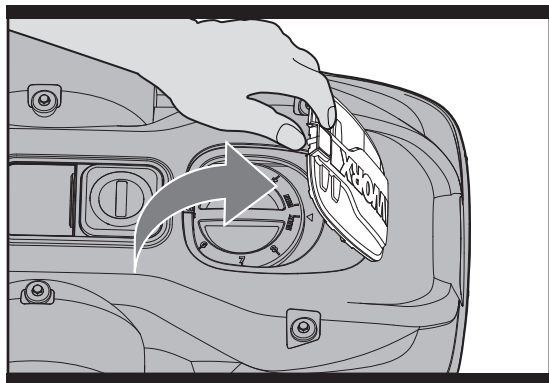
Din Landroid®L's klipphöjd kan ställas in på 2-6cm. Innan du startar din Landroid®L för första gången, ska du klippa gräset så att det är lägre än 9 cm högt. Se sedan till att öppna LOCKET FÖR JUSTERING AV KLIPPHÖJD (6) för justering av klipphöjd och ställ in klipphöjden för din Landroid®L till maximal klipphöjd på 6 cm (Se Fig. F, G).

Din Landroid®L klipper bäst i torrt väder. Den tycker inte om vått gräs vilket kan fastna på bladsvängskivan (16) och i motorn kan också orsaka förlorad dragkraft och slirning under arbetet.

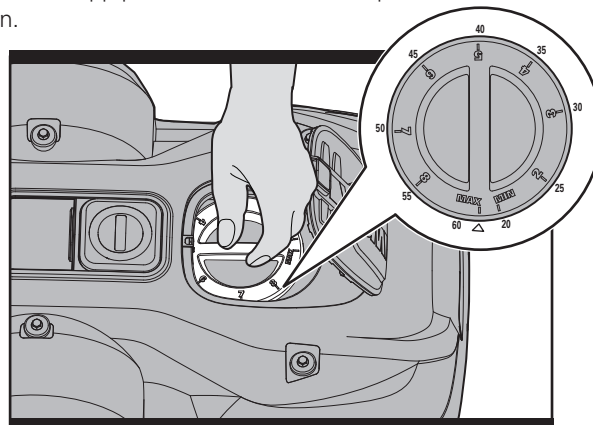
Din Landroid®L är rädd för åska. Om det börjar åska, skydda din Landroid®L genom att koppla ur laddningsbasen (3), koppla bort gränstråden (23) och se till att din Landroid®L inte kan ladda sig.

Din Landroid®L tycker om att klippa gräs och behöver ha klippbladen (17) i god kondition för att klippa så bra som möjligt. Din Landroid®L kan sköta sig själv för det mesta, men ibland kan den behöva din hjälp för att inte göra sig illa.

- Låt aldrig din Landroid®L passera grus.
- Ta bort eller avgränsa hinder som din Landroid®L av misstag kan köra upp på och skada bladskivan på.
- Avlägsna allt skräp och alla främmande föremål från gräsmattan.



F



G

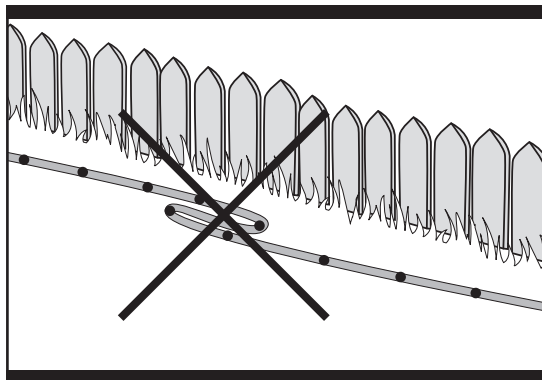
4. Gränstråd

4.1 Pegga gränstråden

Använd avståndsmätaren (26) för att ställa in rätt avstånd från kanten på gräsmattan (mer än 45 cm *) *Rekommenderat avstånd. Använd den medföljande avståndsmätaren för korrekt installation.

Om din granne också har en Landroid®L, måste det vara minst 2 meters avstånd mellan era gränstrådar.

Tänk på att din Landroid®L inte kan uppfånga en signal från gränstråden på mer än 25 m.



H

Gränstråden måste rama in det avsedda

gräsklippningsområdet exakt.

Din Landroid®L blir förvirrad av extra böjar eller härvor av gränstråd som inte ingår i klippområdet (Se Fig. H).

Om det finns överskottsgränstråd kvar när du har ramat in klippområdet, klipp av den och förvara denna extra tråd på ett separat ställe. Du måste dock lämna kvar lite trådslack vid anslutningen till laddningsbasen, så att tråden både kan anslutas och förbli nergrävd.

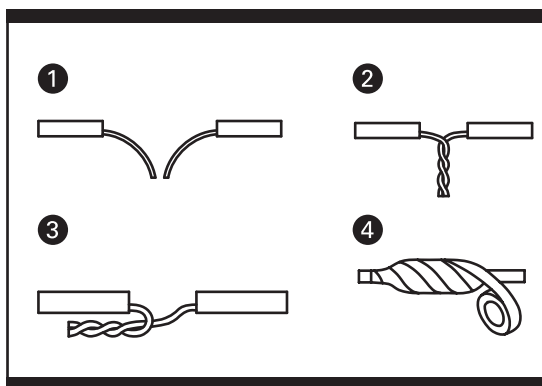
4.2 Gräva ner gränstråden

Vi rekommenderar att du gräver ner gränstråden några få centimeter under marken. Detta säkerställer en krångelfri användning år ut och år in, säsong efter säsong. Om du tänker gräva ner gränstråden ska du tänka på att när din Landroid®L ska hitta till laddningsbasen för första gången, kan den få problem med den nedgrävda gränstråden. Du rekommenderas att först pegga ner gränstråden i gräsmattan så att du enkelt kan utföra eventuella ändringar. Detta vänjer Landroid®L vid den nya omgivningen och säkerställer en lyckad anslutning till laddningsbasen tills du slutligen gräver ner gränstråden. När du har installerat klart gränstråden rekommenderas att du ber Landroid®L att följa gränstråden genom att trycka på hemknappen.

Medan du observerar Landroid®L som letar reda på laddningsstationen kan du ändra gränstråden för att garantera att det är problemfri spårning av gränstråden för Landroid®L när den letar reda på laddningsstationen.

4.3 Skarva gränstråden

Du kan enkelt förlänga gränstråden (23) genom att splitsa ändarna och ansluta dem till varandra. Du kan använda tejp för att säkra de splitsade delarna till varandra (Se Fig. I).



I

4.4 Sätta på och testa installationen

Om den gröna lampan inte tänds, kontrollera strömanslutningarna. Om lampan blinker grön, kontrollera att gränstråden är ordentligt ansluten.

Röd lampa lyser: laddning.

Röd lampa blinkar: felmeddelande, se Felsökning och korrigerade problemen.

Grön lampa blinkar: kontrollera om gränstråden är korrekt ansluten.

När den gröna lampan på laddningsbasen lyser, placera Landroid®L över gränstråden, om Landroid®L följer gränstråden är den ansluten korrekt.

Om Landroid®L är innanför dess område men displayen säger "utanför klippområdet" och laddningsbasens LED lyser grön, betyder det att du fäst gränsledningens ändrar felaktigt. Vänd bara på dem.

5. Uppdatering av mjukvaran

Mjukvaran till din Landroid®L kan uppdateras när nya versioner finns tillgängliga. Mjukvarans version kommer att visas i det lägre högra hörnet på displayen. Manualen i förpackningen är baserad på standardmjukvaran i massproduktion. Vissa funktioner i den nya versionen finns inte nödvändigtvis med i manualen. Om du hittar inställningar som inte finns i manualen, gå till www.worxlandroid.com för att ladda ner den senaste manualen. Du kan kontrollera versionen på mjukvaran genom att trycka på ON/OFF-knappen.

Den senaste mjukvaran kan laddas ner från vår hemsida – se informationen nedan om nedladdning och installation:

Steg 1: Hitta den senaste versionen för mjukvaran på www.worxlandroid.com.

Kopiera ".bin"-filen som innehåller den senaste versionen till en USB-sticka.

OBSERVERA: Innan du kopierar över filen så se till att din USB-sticka inte innehåller andra filer eller data.

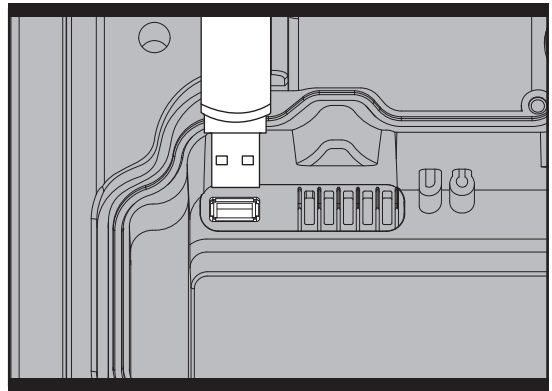
Steg 2: Öppna den nedersta luckan och ta bort batteriet och sätt sedan i USB-minnet i USB-porten. (Se Figur J1)

Steg 3: Sätt tillbaka batteriet och tryck på ON/OFF-knappen i tio sekunder tills gräsklipparen sätts igång. Den nya programversionen visas då i det nedre högra hörnet på displayen. (Se Figur J2)

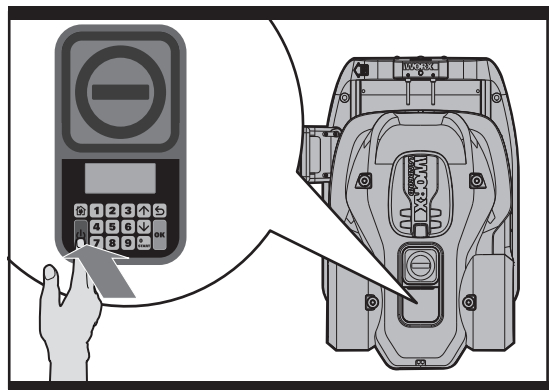
Steg 4: Ta bort minnesstickan och sätt tillbaka batteriöverdraget.

Steg 5: Efter installation av den nya mjukvaran kommer du att behöva återställa panelen på din gräsklippare. Ställ först din gräsklippare på en horisontell yta.

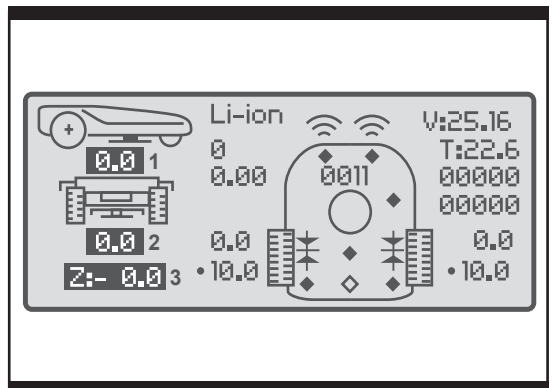
Tryck på knapp "2" för att gå in i interfacet för diagnoser, tryck därefter in knapp "5" under några sekunder tills de tre numren 1 2 & 3 som är inringade här nedan går tillbaka till noll. (Se Figur J3)



J1



J2



J3

6. Underhåll

Du måste inspektera din Landroid®L då och då. Din Landroid®L jobbar hårt och behöver emellanåt rengöras grundligt samt få vissa delar utbytt när de blir slitna.

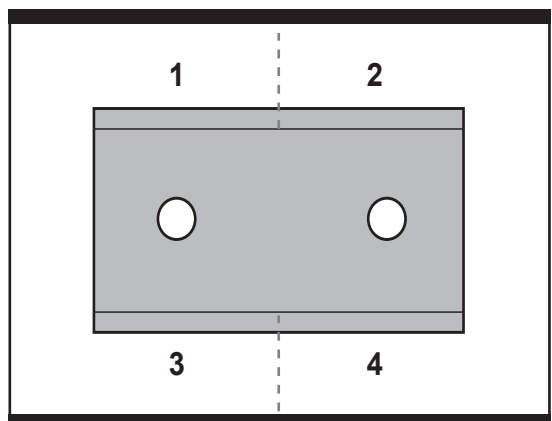
Här nedan informerar vi om hur du tar hand om din Landroid®L.

6.1 Skärpa

! WARNING: Före rengöring, justering eller utbyte av blad, stäng AV din Landroid®L genom att föra ON/OFF-knappen till OFF. Använd skyddshandskar.

! WARNING: Vid byte av blad se till att du byter ALLA blad när något byte görs. Använd alltid nya skruvar när bladen fästs. Detta är viktigt för att garantera att bladen sitter fast. Om inte nya skruvar används kan det orsaka allvarliga skador.

Din Landroid®L klipper inte gräs på samma sätt som andra gräsklippare. Dess blad (17) är rakbladsvassa på alla fyra eggar och snurrar åt båda åll för maximal klippkapacitet (Se Fig. K). Varje blad på din Landroid®L har 4 skärande eggar. Beroende på hur ofta Landroid®L klipper din gräsmatta måste de skärande bladen omkastas/roteras periodvis till en ny skärande egg. Om din Landroid®L är programmerad att klippa gräsmattan varje dag måste de skärande bladen roteras varje månad för det bästa klippresultat. Varje blad kommer att hålla upp till 4 månader när programmering har gjorts för klippning varje dag. När de skärande bladen är slöa och utslitna, skall de ersättas med de reservblad som medföljde din Landroid®L. Reservblad är även tillgängliga i din närmaste Worx-affär.



K

A. Roter och vända på bladen

Landroid®L har blad som alla är fastskruvade på bladskivan (16). Det är bladen som gör det möjligt för din Landroid®L att sköta sitt jobb, och därför måste de skötas och inspekteras. Emellanåt ska du rotera och vända på alla bladen samtidigt för ett perfekt klippresultat. När du roterar och vänder på bladen, måste du se till att alla blad justeras samtidigt, annars kan bladskivan bli obalanserad. Om din Landroid®L följer ett normalt (dagligt) klippschema bör bladen räcka en säsong om du roterar och vänder på dem varje månad. Kontrollera alltid om bladen har fått hack eller är skadade, och byt i sådant fall ut dem.

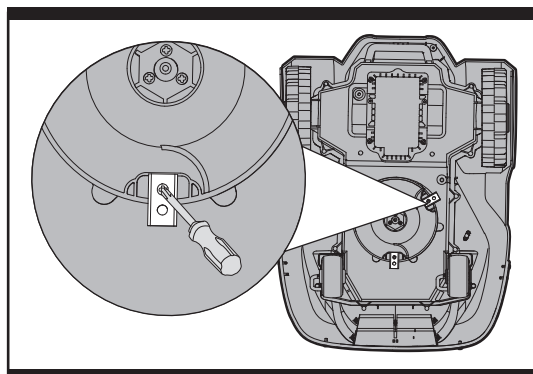
B. Byta ut bladen(Se Fig.L)

Efter en tid, vanligen varje säsong, måste du byta ut bladen på din Landroid®L. Din Landroid®L gillar inte att klippa gräs med blad som har olika ålder och kvalitet. När du byter ut bladen ska du alltså byta ut alla blad samtidigt. Du kan ersätta bladen med en av de tre reservsatserna och extra bladskruvarna som medföljer din Landroid®L.

Innan något byte av Landroid®L's blad görs, stäng av strömmen och ta på skyddshandskar. Följ därefter dessa steg:

1. Vänd försiktigt på din Landroid®L.
2. Ta bort batterilocket och batteriet.
3. Ta bort skruvarna på bladen med en skruvmejsel
4. Skruva fast de nya bladen ordentligt
5. Sätt tillbaka batteriet och batterilocket

VIKTIGT: När du har skruvat fast bladet på bladskivan, kontrollera att bladet kan rotera fritt.



L

6.2 Rengöring

! WARNING: Innan du ska rengöra din Landroid®L måste du stänga AV den genom att föra ON/OFF-knappen till OFF. Sätt på skyddshandskar innan du rengör bladskivan (16). Använd inte rinnande vatten. (Se Fig. M)

A. Rengöra stommen

Din Landroid®L kommer att leva längre och må bättre om du rengör den regelbundet. Då Landroid®L är en elektrisk maskin bör du vara försiktig vid rengöring, så använd INTE en slang, högtryckstvätt eller på annat sätt hälla rinnande vatten på Landroid®L, det är bäst att använda en sprejflaska fylld med vatten. Vid rengöring av maskinens hölje använd en mjuk borste eller en ren trasa och undvik att använda rengöringsmedel eller polish (Se Fig.M). Slutligen, se till att ta bort all uppsamlat gräsklipp och skräp.

B. Rengöring av undersidan

Återigen är det viktigt att du stänger AV din Landroid®L med ON/Off-knappen och att du använder skyddshandskar när du rör vid bladskivan (16).

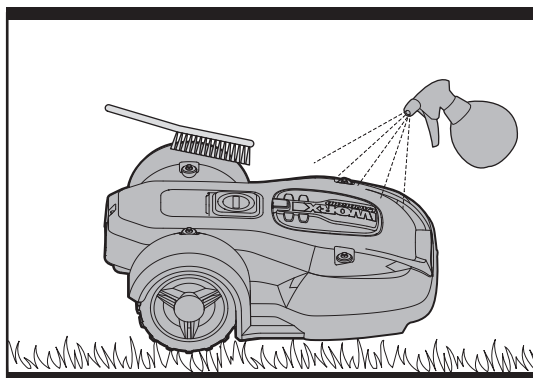
Först, vänd din Landroid®L upp och ned för att visa undersidan. På undersidan kan du se bladskivan, Huvudkåpan (14) och framhjul (18) och drivhjul (11). Rengör alltihop noggrant med en mjuk borste eller en fuktig trasa.

Rotera bladskivan för att kontrollera att den roterar fritt. Kontrollera att bladen kan rotera fritt runt fästskruvarna. Ta bort eventuella blockage.

VIKTIGT: Ta bort allt skräp så att det inte får bladskivan att spricka. Till och med en minimal spricka kan försämra gräsklipparens effekt.

C. Rengör kontaktstiften och laddningsremarna

Rengör kontaktstiften (2) på laddningsstationen (3) och laddningsremarna (5) på Landroid®L med en trasa. Ta bort ansamlade gräsrester och smuts runt kontaktstiften och laddningsremarna med regelbundna mellanrum för att se till att Landroid®L laddas ordentligt varje gång.



M

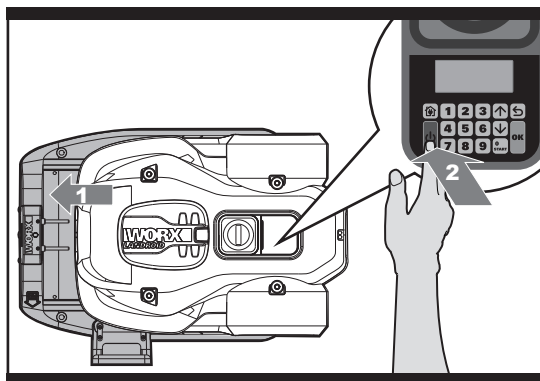
6.3 Batterilivstid

Hjärtat i din Landroid®L är dess 28V litiumjonbatteri. Inget underhåll behövs. För korrekt förvaring av batteriet, förvara det fulladdat på en kall och torr plats mellan 20°C och 60°C.

Livstiden för din Landroid®L's batteri beror på olika faktorer som exempelvis:

- Hur lång klippsäsongen är i din region
- Hur många timmar din Landroid®L klipper gräs per dag
- Hur du sköter batteriet under förvaring

Landroid®L kan laddas manuellt utan gränsovrådeskabeln. (Se Fig. N)



N

För att manuellt ladda batteriet utan att ansluta gränstråden till laddningsbasen;

- 1. Anslut laddningsbasen till en lämplig strömkälla.**
- 2. Docka manuellt Landroid®L i laddningsbasen medan Landroid®L är avstängd.**
- 3. Laddningsbasens röda lampa tänds.**
- 4. Inom 3 sekunder och innan laddningsbasens lampa lyser grönt, tryck på Landroid®L PÅ/AV strömknapp.**
- 5. Stäng knappsatsfönstret och Landroid®L börjar laddas.**

6.4 Vinterförvaring

Din Landroid®L kommer att leva längre och hålla sig friskare om den får gå i ide på vintern. Därför rekommenderar vi att du förvarar din Landroid®L i ett uthus eller ett garage under vintern.

Innan du stugar undan din Landroid®L inför vintern ska du:

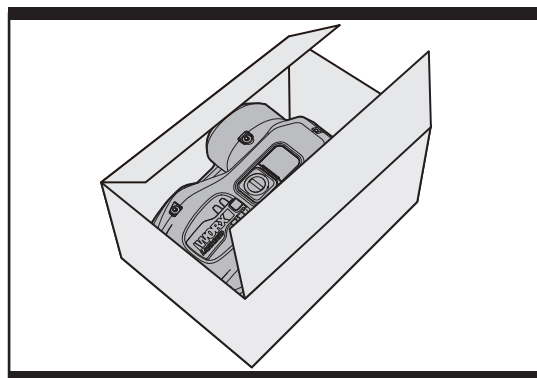
- Rengöra din Landroid®L noggrant.
- Ladda batteriet fullt.
- Stänga av gräsklipparen.

Batteriet ska laddas fullt en gång under vintern för att vara i bästa tänkbara skick till nästa klippsäsong.

Under förvaring ska din Landroid®L stå plant på alla fyra hjul på en torr plats som är skyddad från vinterväder. Du rekommenderas att förvara din Landroid®L i originalförpackningen. Det är bäst att förvara även laddningsbas, lågspänningsladd (4) och transformator (22) inomhus över vintern. (Se Fig. O)

Gränstråden kan lämnas kvar i marken, men dess ändrar bör skyddas genom att t.ex. placeras i en konservburk med smörjfett. Om laddningsbasen lämnas kvar utomhus över vintern, låt gränstråden förbli ansluten till den.

OBS: När du tar fram din Landroid®L efter vinterförvaringen, kontrollera att laddningsytorna (5) och kontaktstiften (2) är rena. Du kan använda en fin smärgelduk för att rengöra dem. Kontrollera därefter att datum och tid är rätt inställda och låt sedan din Landroid®L återgå till det den gör bäst: klippa gräset.



O

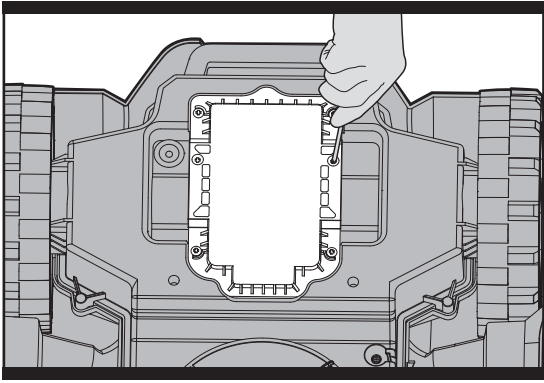
6.5 Byta ut batteriet



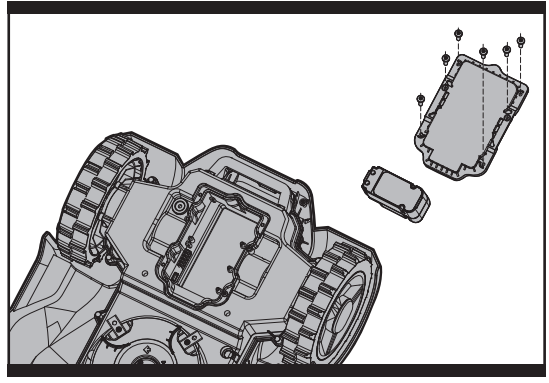
WARNING: För ON/OFF-knappen till OFF innan du utför en justering, utbyte eller reparation.

Om du behöver byta ut batteriet, följ dessa steg:

1. Vänd försiktigt på din Landroid®L.
2. Ta bort de sex skruvarna som håller fast batteriet. (Se Fig. P)
3. Ta ut det gamla batteriet. (Se Fig. Q)
4. Sätt i det nya batteriet.
5. Spänn de sex skruvarna ordentligt.




P



Q

Miljöhänsyn

 Elektriska avfallsprodukter får inte kasseras med hushållsavfallet. Återvinn på återvinningscentraler. Kontakta dina lokala myndigheter eller återförsäljaren för återvinningsråd.



Copyright © 2015, Positec. All Rights Reserved.
2CLM80EPK11001A1