

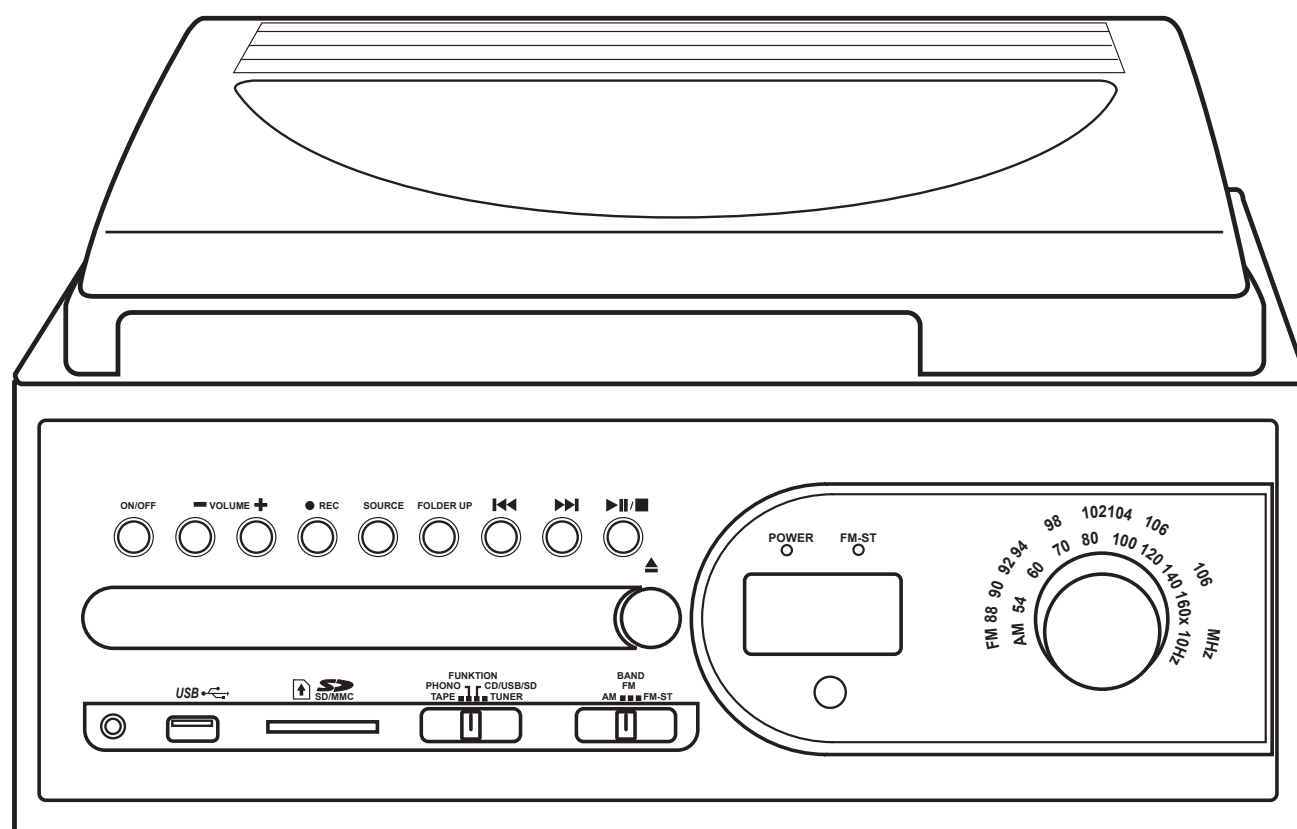
# CD/MP3 Record Player with cassette and radio

Skivspelare med CD, MP3, kassettdäck och radio

Platespiller med cd, mp3, kassett-spiller og radio

Levysoitin, jossa on CD-, MP3- ja kasettisoitin sekä radio

Plattenspieler mit CD, MP3, Kassettenspieler und Radio



Art.no.  
38-4173

Model  
TCD-983WEC

Ver. 20150807

clas ohlson

English

Svenska

Norsk

Suomi

Deutsch



# CD/MP3 Record Player with cassette and radio

Art. no 38-4173

Model TCD-983WEC

Please read the entire instruction manual before using the product and save it for future reference. We reserve the right for any errors in text or images and any necessary changes made to technical data. If you have any questions regarding technical problems please contact Customer Services.

## Contents

1. Safety
2. Product description
3. Contents
4. Buttons and functions
5. Assembly & installation
6. Radio
7. CD player
8. Cassette deck
9. Record player
10. Playing MP3 files from a USB memory or memory card
11. Recording MP3 files from the CD/record player/cassette deck
12. Deleting files on the USB/SD memory card
13. Care and maintenance
14. Specifications

# 1. Safety

- The product should only be repaired by qualified service personnel.
- The product should not be taken apart or modified.
- Do not place the product where it could fall into water or other type of liquid. Do not place any objects containing liquid on top of the product, e.g. flower vases or fizzy drinks.
- Shut off the stand-by function at night or when you travel away.
- Do not cover the product. Adequate ventilation with a distance of at least 15 cm between ventilation holes and the surrounding area is necessary to prevent the device from becoming too warm.
- Do not place the record player in damp, dusty environments or where there are strong vibrations.
- Prolonged exposure to high volume can damage your hearing.



**Warning!** Do not open the casing!  
Certain parts inside the casing carry dangerous currents.  
Touching these can lead to fire or electric shock.



## CLASS 1 LASER PRODUCT

**Warning!** Do not open the casing! The product contains invisible laser beams that can cause eye damage. Do not look directly into the laser beam or look directly at it using an optical instrument.

# 2. Product description

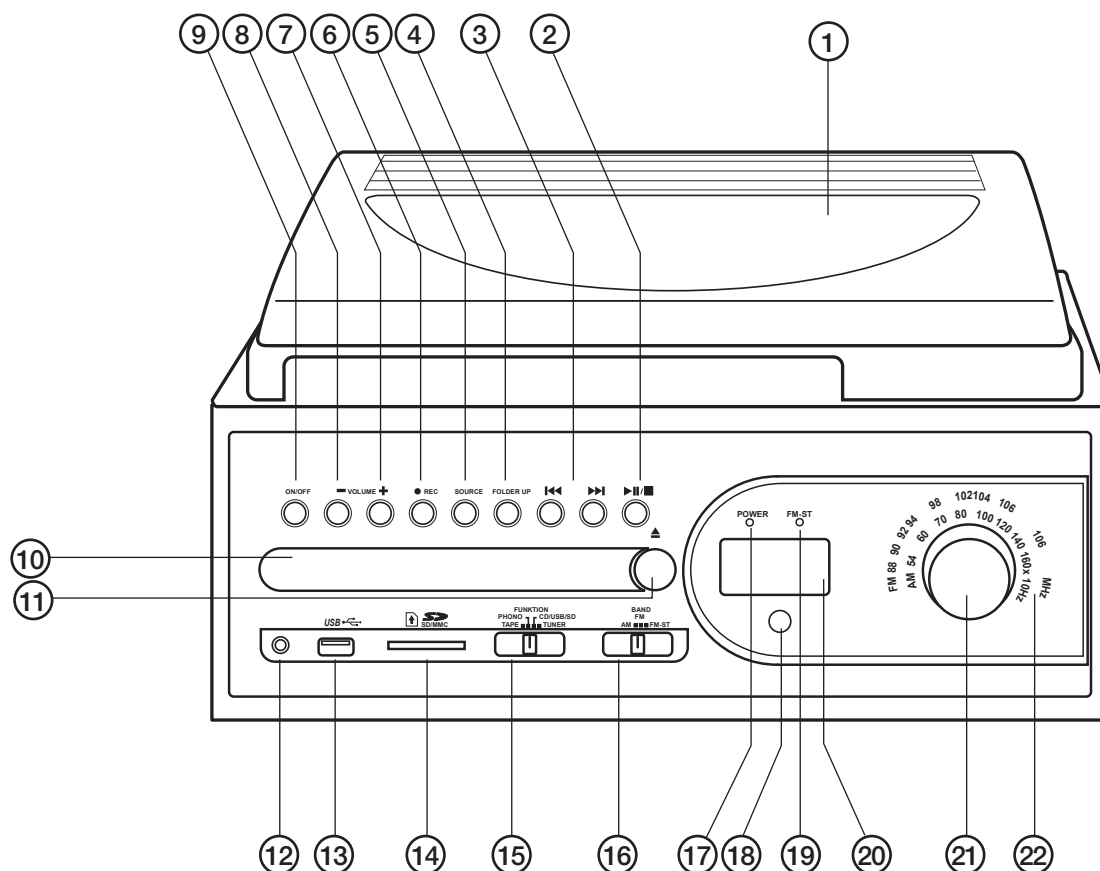
- CD/MP3 Record Player with cassette deck, radio and USB/SD memory card slots.
- Built-in amplifier and external speakers.
- Records to the USB memory or SD card from the record player or CD/MP3 player.
- Speed selector: 33/45 rpm.
- Record player auto stop.
- Built-in RIAA amplifier and line out socket.
- Comes with remote control.
- Stereo headphone socket.

# 3. Contents

- Record player
- 2 speakers
- Remote control
- Instruction manual

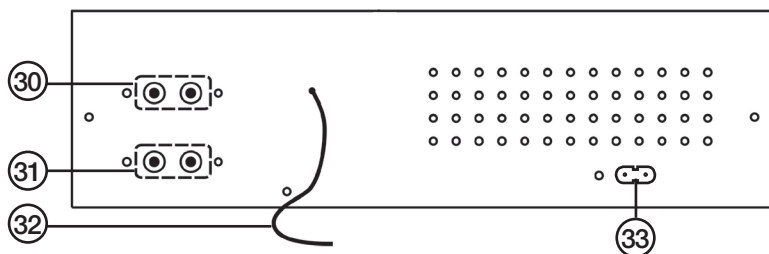
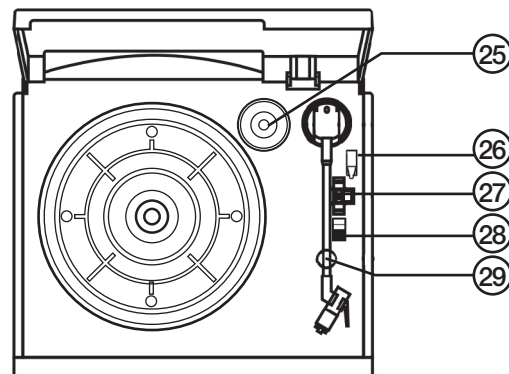
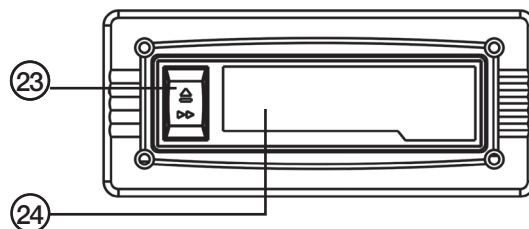
## 4. Buttons and functions

### Record player



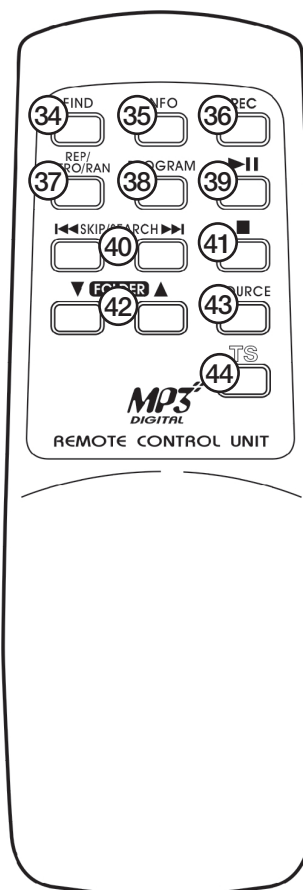
1. **Lid.**
2. **[▶ II/■]** – Start playback/pause/stop playback.
3. **[▶▶ I] [I ◀◀]** – Previous track/next track.
4. **[FOLDER UP]** – Move up a folder (MP3).
5. **[SOURCE]** – Select USB memory or SD card.
6. **[● REC]** – Record.
7. **[VOLUME +]** – Increase volume.
8. **[VOLUME -]** – Decrease volume.
9. **[ON/OFF]** – On/off switch.
10. **CD tray.**
11. **[▲]** – Open/close CD tray.
12. **Headphone jack.**
13. **USB port.**
14. **SD/MMC memory card slot.**
15. **[FUNCTION]** – Function selector: TAPE (cassette) – PHONO (record player) – CD/USB/SD – TUNER (radio).
16. **[AM/FM]** – Radio band selector: AM – FM – FM Stereo.
17. **“POWER”** – Power indicator lamp.
18. **IR sensor for remote control.**
19. **“FM ST”** - FM-stereo indicator lamp.
20. **LCD display.**
21. **TUNING** – Tuning knob.
22. **Frequency scale.**

- 23. [▲] – Cassette fast forward/eject cassette.
- 24. **Cassette holder.**
- 25. **Spindle adaptor for 45 rpm records.**
- 26. **Tone arm lift lever** – Lifts/lowers tone arm.
- 27. **33/45 RPM** – Record player speed selector.
- 28. **AUTO STOP ON/OFF** – Record player AutoStop switch.
- 29. **Tone arm seat (with lock).**
- 30. **Line Out L/R** – Low level outputs (left, right).
- 31. **SPEAKER L/R** – Speaker outputs (left, right).
- 32. **FM aerial.**
- 33. **Mains lead socket.**



## Remote Control

- 34. **[FIND]** – Search for file name (during MP3 playback).
- 35. **[INFO]** – Select recording quality (Encoding Bitrate) and display ID3 tags (MP3 info).
- 36. **[REC]** – Recording or copying button.
- 37. **[REP/INTRO/RAN]** – Repetition/intro (plays the first 10 seconds of each track)/random playback (during CD/MP3 playback).
- 38. **[PROGRAM]** – Programmed playback from CD, MP3, memory card or USB.
- 39. **[▶||]** – Start playback/pause.
- 40. **[◀] – [▶]** – Previous/next track.
- 41. **[■]** – Stops CD/MP3 playback/deletes saved program.
- 42. **[FOLDER ▼] [FOLDER ▲]** – Browses folders (during MP3 playback).
- 43. **[SOURCE]** – Select CD, USB memory or SD card.
- 44. **[TS] (Track Separation)** – Divides a recording into several files.

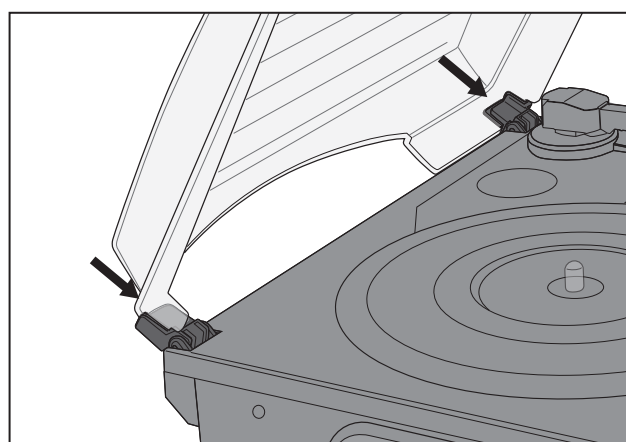
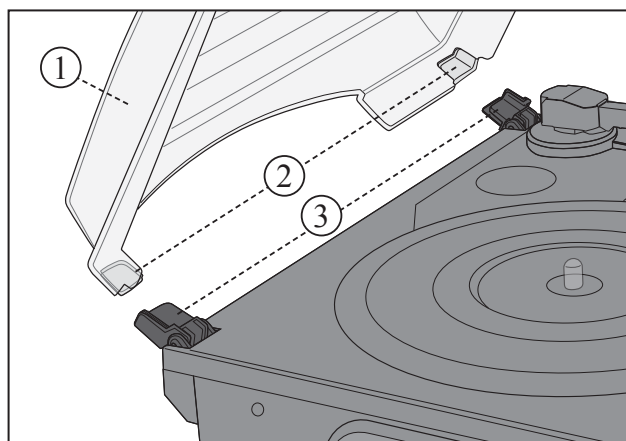
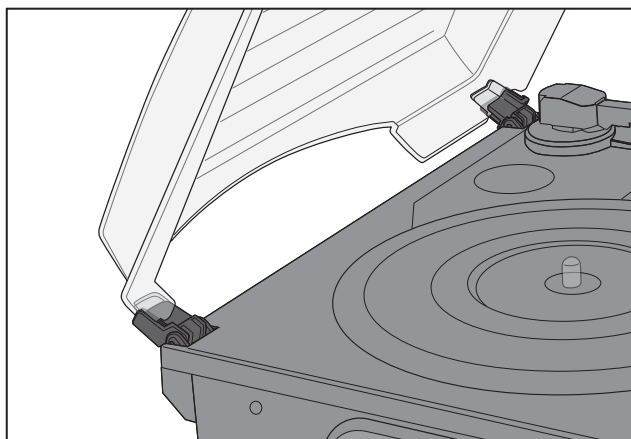


## 5. Assembly & installation

### 5.1 Mounting the lid

**Note:** Figures (1–3) only refer to the illustrations in this section.

1. Make sure the hinge fittings (3) are completely folded outwards.
2. Fit the lid's (1) brackets (2) into the hinge fittings (3).
3. Slide them both together so that the lid brackets sit securely into the hinge fittings.



### 5.2 Connecting the speakers

Connect the right and the left speaker wires to the right (R) and left (L) speaker outlets (31) on the back panel.

**N.B.** Always have the speakers connected before turning on the stereo system.

### 5.3 Connecting to the mains

1. Connect the mains lead to the mains socket on the back of the record player (33) and plug the other end into a power point. Check that the voltage (V), on the rating plate on back of the device corresponds to your local electrical network (230 V AC, 50 Hz). Ask for advice from your retailer or a service centre if that is not the case.
2. To completely shut off the power: Pull out the plug from the wall socket. The device should also be unplugged during heavy thunder storms to protect the stereo.

### **Power-save mode**

The record player automatically switches to **power-save mode after 15 minutes** when the last track on an LP, CD, USB flash drive, SD card or cassette has been played. The record player automatically switches to **power-save mode after 15 minutes** when it is in pause mode (CD, USB flash drive, SD card). **To start the record player when it is in power-save mode, press the [ON/OFF] button twice.**

### 5.4 Inserting batteries

1. Remove the remote's battery cover.
2. Insert (2 × AAA/R03, 1.5 V) batteries according to the polarity markings.
3. Push the battery cover securely back into the remote.

### 5.5 Placement

Place the record player on an even, hard surface. Place it in an area where it is not exposed to possible vibrations or knocks.

## 6. Radio

### FM och AM (medium wave)

1. Set the [FUNCTION] selector [15] to the **TUNER** position.
2. Set the band selector [16] to the **AM, FM** (mono) or **FM-ST** (stereo) position.
3. Set the desired frequency with the tuning knob (21).
4. Place the aerial (32) in a position where you receive the best possible reception.
5. Adjust the volume level by using the volume buttons, [VOLUME +] (7) and [VOLUME -] (8).

### Receiving the best reception

**AM:** The player has a built-in aerial for AM reception. Reception can be altered by either turning or moving the player.

**FM:** The aerial should be completely unravelled to receive the best reception.

## 7. CD player

### 7.1 CD playback

1. Set the [FUNCTION] selector (15) to the **CD/USB/SD** position.
2. Open the CD tray by pressing [OPEN/CLOSE] (11).
3. Place a CD (Audio disc or CD-R/CD-RW) with the label side upwards into the CD tray.
4. Press [OPEN/CLOSE] (11) to close the CD tray.
5. The display will show the total number of tracks once the CD info has been read.
6. Press [▶||■] (2) or (39) to start playback. The first track should then begin playback.
7. To pause playback, press [▶||■] (2) or (39) again. The display will then begin flashing the current track number. Press [▶||■] (2) or (39) again to resume playback.
8. To stop playback: Depress [▶||■] (2) or (41) for 2 seconds.

### 7.2 Selecting a different track

During playback or in pause mode you can use [▶▶I] [I◀◀] (3) or (40) to select another track.

1. Press [▶▶I] [I◀◀] (3) or (40) briefly to move to the next track, or press repeatedly until the desired track number is shown in the display.
2. Press [▶▶I] [I◀◀] (3) or (40) briefly to return to the start of the previous track. Press several times to return to previous tracks.

### 7.3 Searching for a section during playback.

1. Press and hold [▶▶I] [I◀◀] (3) or (40) to search within a track. The CD will play at high speed and low volume.
2. Release the button when you have reached the desired section. Normal playback should now resume.

### 7.4 Playing a CD containing MP3 files

1. Set the [FUNCTION] selector (15) to the CD/USB/SD position.
2. Open the CD tray by pressing [OPEN/CLOSE] (11).
3. Place a CD (Audio or CD-R/CD-RW containing MP3 files) with the text side upwards in the CD compartment.
4. Close the CD tray by pressing [OPEN/CLOSE] (11).
5. After a moment the track total will be shown in the display.
6. Press [FOLDER] (4) or (42) once or several times to select a folder for playback. The folder number will be displayed.
7. Use [▶▶I] [I◀◀] (3) or (40) to select the desired track within the selected folder.
8. Press [▶||■] (2) or (39) to start playback.
9. To pause playback: Press [▶||■] (2) or (39) again to pause. The display will then begin flashing the current track number. Press [▶||■] (2) or (39) again to resume playback.
10. To stop playback: Depress [▶||■] (2) or (39) for 2 seconds.



**N.B.**

- The sound quality of MP3 files can vary depending on the source quality of the CD or recording.
- The time it takes for the device to load a CD with MP3 files usually takes longer than for a regular CD.

**7.5 Displaying music info (via the remote control)**

1. During playback of MP3 files, press the [INFO] (35) button once on the remote to display or hide the current track's ID3 information.
2. If no information is available for the track "NONE" or "UNKNOWN" will be displayed.

**7.6 Searching for tracks by title (via the remote)**

You can search for a track by title/name.

1. When stopped press the remote's [FIND] (34) button once.
2. Use [▶▶I] [I◀◀] (3) or (40) to search through all tracks in alphabetical order.
3. Press [▶II/■] (2) twice to start playback of the selected track.

**7.7. Searching by folder (via the remote control)**


You can search for a folder by title/name.

1. When stopped press the remote's [FIND] (34) button twice.
2. Use [▶▶I] [I◀◀] (3) or (40) to search through all folders in alphabetical order.
3. Press [▶II/■] (2) or (39) to start playback of the tracks in the selected catalogue.


**N.B.** The display can only show characters from the English alphabet.

**7.8 Advanced functions*****Repeated playback (CD)***

Repeat 1 → Repeat All → Intro → Random → Off



**A. Repeat (Repeat current track)**

Press [REP/INTRO/RAN] (37) once or the required number of times to activate random playback.

The  icon shows when Repeat 1 is activated.

**B. Repeat All (Repeat all tracks)**

Press [REP/INTRO/RAN] (37) once or the required number of times to repeat the entire disc.

The  **ALL** icon shows when Repeat All is activated.

**C. INTRO (plays the beginning of each track)**

To save time when searching for a track, the first 10 seconds of each track are played in sequence.

Press [REP/INTRO/RAN] (37) once or the required number of times to start the intro function. "INTRO" appears in the display when the function is activated.

**D. RANDOM (random playback)**

Press [REP/INTRO/RAN] (37) once or the required number of times to activate random playback.


"RANDOM" is shown on the display when this function is activated. Press [REP/INTRO/RAN] (37) or [■] (41) to turn off random playback.

**E. OFF (No repetition)**


Press [REP/INTRO/RAN] (37) the required number of times to deactivate repetition. No icons will be displayed.

## Repeated playback (MP3)


Repeat 1 → Repeat All → Repeat Folder → Intro → Random → Off




### A. Repeat 1 (Repeat current track)

Press [REP/INTRO/RAN] (37) once or the required number of times to repeat the current track. The  icon shows when Repeat 1 is activated.

### B. Repeat All (Repeat all tracks)

Press [REP/INTRO/RAN] (37) once or the required number of times to repeat all tracks. The  ALL icon shows when Repeat All is activated.


### C. Repeat Folder (Repeat all tracks in folder)

Press [REP/INTRO/RAN] (37) once or the required number of times to repeat all folders (and tracks). The  icon shows when Repeat Folder is activated.

### D. INTRO (plays the beginning of each track)

To save time when searching for a track, the first 10 seconds of each track are played in sequence. Press [REP/INTRO/RAN] (37) once or the required number of times to start the intro function. "INTRO" appears in the display when the function is activated.

### F. RANDOM (random playback)


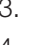
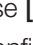

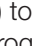

Press [REP/INTRO/RAN] (37) once or the required number of times to activate random playback. "RANDOM" is shown on the display when this function is activated. Press [REP/INTRO/RAN] (37) or  (41) to turn off random playback.

### F. OFF (No repetition)

Press [REP/INTRO/RAN] (37) the required number of times to deactivate repetition. No icons will be displayed.

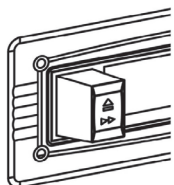
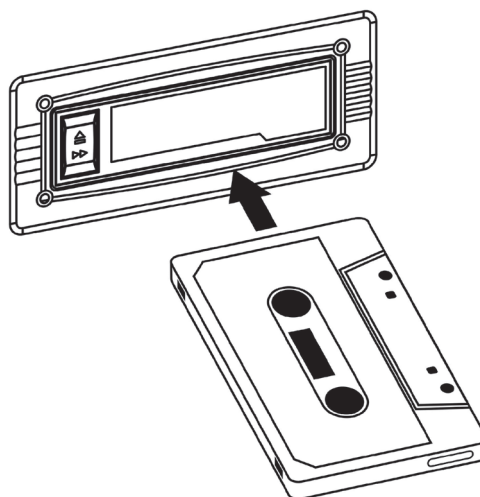
## 7.9 Programmed playback (via the remote control)

Up to 32 tracks can be programmed in any chosen order.

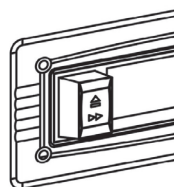
1. Stop playback by pressing  (41).
2. Press [PROGRAM] (38) once on the remote control. "PROG" and both program number and track number will be shown in the display.
3. Use   (40) to select a track for playback for the programmed playlist.
4. Confirm by pressing [PROGRAM] (38) once. The track number will flash in the display.
5. Repeat steps 3 and 4 to programme in more tracks.
6. Press  (39) to start playback of your programmed playlist.
7. Press  (41) to stop playback and depress  (41) until "PROG" disappears from the display to clear the programme memory.

## 8. Cassette deck

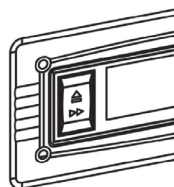
1. Set the [FUNCTION] (15) selector in **TAPE** mode.
2. Push the cassette into the slot as shown below. The side that is facing up is the one that will be played.
3. The cassette deck will start automatically once the cassette has been pushed in.
4. The cassette deck is controlled with the [**▲**] (23) button:



**PLAY** - Playback (button is completely extended).



**FAST FORWARD** – Fast forward (button is semi-depressed), repress the button to deactivate fast forward and return to playback mode.



**EJECT** – Completely depress the button.

### N.B.

It is normal that noise may be heard from the cassette when using (FAST FORWARD). Always remove the cassette when you are not using the cassette deck.

## 9. Record player

1. Remove the pick-up protector and release the tone arm from the lock (29).
2. Set the [FUNCTION] selector (15) to the **PHONO** position to turn on the record player.
3. Place a record onto the turntable. Some 45 rpm records have larger spindle holes and you will then need to use the spindle adaptor (25).
4. Use the speed selector to choose the correct record speed (27).
5. Lift the tone arm using the tone arm lift lever (26) and move the tone arm over the record. The turntable will begin spinning.
6. Carefully lower the tone arm at the beginning of the desired track (26).
7. The record will then begin playback. Adjust the volume level by using the volume buttons, [VOLUME +] (7) and [VOLUME -] (8).
8. Return the tone arm to the pickup holder when playback has finished. The turntable will then stop spinning.

**N.B.** Some records end outside of the record player's "Auto-stop" – range. This means that some records may stop playing even before finishing the last track. This can be remedied by switching [AUTO STOP] (28) to the OFF position.

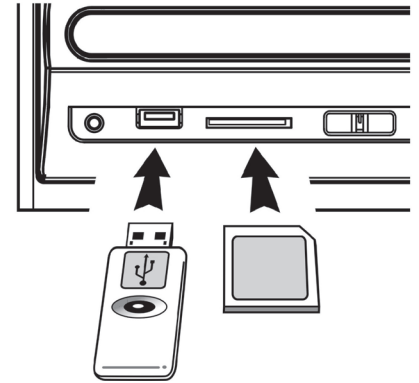
**N.B.** The record will continue spinning even after the last track has been played.

**To stop the turntable:** Turn the [AUTO STOP] (28) switch back to the **ON** position.

## 10. Playing MP3 files from the USB or memory card

The device can play MP3 files from a USB memory stick or SD/MMC memory card.

1. Insert a USB memory stick/memory card according to the figure. Make sure to insert the USB memory stick/memory card the right way round to ensure that the connectors are not damaged. Always push the USB memory stick/memory card straight in without twisting.
2. Set the [FUNCTION] (15) selector to the **CD/USB/SD** position and push SOURCE (5) or (43) to select the **USB** (USB memory stick) or **CARD** (memory card). The display will show the selected source, audio format and total number of tracks.
3. After a moment the track total will be shown in the display.
4. Press [FOLDER] (4) or (42) once or several times to select a folder for playback. The folder name will be shown on the display.
5. Use [▶▶I] [I◀◀] (3) or (40) to select the desired track within the selected folder.
6. Press [▶II/■] (2) or (39) to start playback.
7. Pausing playback: Press [▶II/■] (2) or (39) again to pause. The display will then begin flashing the current track number. Press [▶II/■] (2) or (39) again to resume playback.
8. To stop playback: Depress [▶II/■] (2) or (41) for 2 seconds.




**N.B.** The method of operating the remaining functions are the same as for “7.4 Playing a CD containing MP3 files” points 7.5, 7.6, 7.7, 7.9 and 7.10.

## 11. Recording MP3 files from the CD/record player/cassette


The stereo system can record in MP3 format onto the memory card or USB from a CD or record.

### A. Recording from CD


#### I. Recording a CD track

1. Start CD playback as usual.
2. Press [REC] (6) or (36) to start recording (during normal playback). The  **REC** icons will flash during recording.
3. Recording shuts off automatically once complete.
4. Press [REC] (6) or (36) if you want to prematurely stop recording.

#### II. Recording an entire CD

1. Insert a CD into the CD tray and wait until its info has been read.
2. Press [REC] (6) or (36) to start recording. The  **REC** icons will flash during recording.
3. Recording shuts off automatically once complete.
4. Press [REC] (6) or (36) if you want to prematurely stop recording.

#### III. Recording selected CD tracks

1. Insert a CD and wait until its info has been read.
2. Select desired tracks and save them according to the steps in: 7.10 Programmed playback (via the remote control).
3. Press [REC] (6) or (36) to start playback  **REC** icons will flash during recording.
4. Recording shuts off automatically once complete.
5. Press [REC] (6) or (36) if you want to prematurely stop recording.

**N.B.**

- Recording time occurs in real time e.g. the same as playback time.
- A folder named “AUDIO” will be created where all recordings are saved.
- The recording format is preset to MP3 with a 128 kbps bit rate and a 44.1 kHz sampling rate.
- Song titles are not saved during recording.
- In order to save a file the entire track must be recorded. If the recording is prematurely stopped then no file will be saved onto the memory card or USB.



**IV. Copying MP3 files****Copying from CD.**

- If the CD only contains MP3 files any copied files will also be in this format. The steps for copying files are the same as: “Recording from CD” (See 11.1.)

**Copying between memory card and USB.**


- Press [REC] (6) or (36) during playback from the memory card or USB to start copying from memory card to USB or vice-versa.

**B. Recording from the record player**

1. Set the [FUNCTION] selector [15] to the **PHONO** position.
2. Press [REC] (6) or (36).
3. “USB” will be displayed first and then the   icons .  
When the icons begin flashing recording will have started.
4. Start playback of the record track you wish to record.
5. When you’ve finished recording: Depress [REC] (6) or (36) until the display stops flashing.

**N.B.** If you wish to start recording directly: Press [REC] (6) or (36) twice quickly.

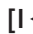


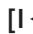


**C. Recording from the cassette deck**

1. Set the [FUNCTION] (15) selector in **TAPE** mode.
2. Press [REC] (6) or (36).
3. The display will first show “USB” or “CARD” and then . When the icon starts flashing recording has started.
4. Start playback of the cassette track you wish to record.
5. Depress [REC] (6) or (36) until the display stops flashing once you’ve finished recording.

**N.B.** If you wish to start recording directly: Press [REC] (6) or (36) twice quickly.

**N.B.** Files will be saved to the USB (if both a memory cards and USB is connected).

**D. Manually setting the “Bit Rate” during CD, record player or cassette recording.**

1. Set the [FUNCTION] (15) selector to the **PHONO** or **TAPE** position.
2. Pressing [INFO] (35) will show the set (128 kbps) “Bit Rate”.
3. Press [  ] [  ] (3) or (40) to change the bit rate: 32 – 64 – 96 – 128 – 192 – 256 kbps
4. Press [INFO] (35) to confirm.

**E. Track separation (TS)**

To divide the recordings from the record or cassette player into several files, do the following: Press [TS] (44) once to add a pause and create a new file where the next track will be recorded. Repeat this procedure in your recording wherever you wish to divide your recording into several files. Every time a new file is created, the “PHONO” or “TAPE” symbol will flash once on the display.

**N.B.** This must be done during the recording process.

## 12. Deleting files on the USB/SD memory card

### Deleting a file

1. Insert a USB or a memory card. Set the function selector to **USB** or **SD**.
2. Depress [INFO] (35) for 3 seconds. The display will show "DEL -001".
3. Select the file to be deleted with [▶▶I] [I◀◀] (3) or (40).
4. Press [REC] (36). "YES" and "NO" will begin to flash. Press [▶▶I] [I◀◀] (3) or (40) to select **YES** (to delete the selected file) or **NO** to cancel.
5. Press [REC] (6) or (36) to confirm. Press [<] (41) once to cancel the deleting process.

### Deleting all files:

1. Insert a USB or a memory card. Set the function selector to **USB** or **SD**.
2. Depress [INFO] (35) for 3 seconds. The display will show "DEL -001".
3. Press [REC] (36). "YES" and "NO" will begin to flash. Press [▶▶I] [I◀◀] (3) or (40) to select **YES** (to delete all selected files) or **NO** to cancel.
4. Push [REC] (36) to confirm the setting.
5. Press [■] (41) once to cancel the deleting process.

**N.B.** All file on the USB memory or memory card will be deleted if you confirm by pressing "YES".

### Removing the USB memory/memory card

Always turn off the device before you remove the USB memory/memory card.

**USB memory stick:** Remove the USB memory by hand.

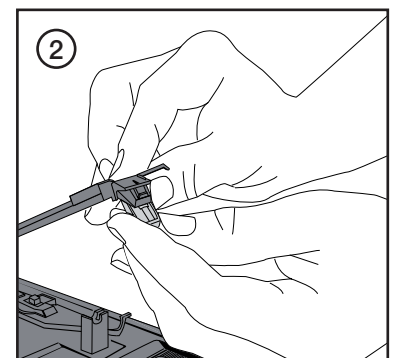
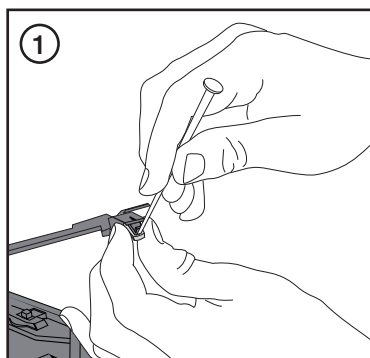
**Memory cards:** Gently push the memory card in, the card will spring out and can then be removed by hand.

## 13. Care and maintenance

- Clean dusty records using a record brush.
- Always close the lid when the record player is not in use. This prevents dust from collecting on the turntable and pickup needle.
- The record player can be wiped with a lightly moistened cloth.

### Changing the pickup needle

1. Hold the pickup needle with one hand and wedge a small screwdriver in the front edge of the pickup between the pickup and the needle. Carefully prize the needle out using the screwdriver as shown in the figure below.
2. Insert a new needle by first pushing it against the rear edge. Then carefully push in the front edge.



## 14. Specifications

Mains supply:	230 V AC, 50 Hz
Record player speeds:	33/45 rpm
Radio frequency range:	87.5 – 108 MHz (FM), 540 – 1600 kHz (AM)
Bitrate, MP3:	32 – 256 kbps
Output power:	2 × 2 W
Size (record player):	318 × 285 × 178 mm (WxDxH)
Size (speakers):	120 × 140 × 195 mm (WxDxH)
Weight:	4.7 kg

# Skivspelare med CD, MP3, kassettdäck och radio

Art. nr 38-4173 Modell TCD-983WEC

Läs igenom hela bruksanvisningen före användning och spara den sedan för framtida bruk. Vi reserverar oss för ev. text- och bildfel samt ändringar av tekniska data. Vid tekniska problem eller andra frågor, kontakta vår kundtjänst (se adressuppgifter på baksidan).

## Innehåll

1. Säkerhet
2. Produktbeskrivning
3. Förpackningens innehåll
4. Knappar och funktioner
5. Montering och installation
6. Radio
7. CD-spelare
8. Bandspelare
9. Skivspelare
10. Spela upp MP3- filer från ett minneskort eller USB-minne
11. Spela in MP3 från CD/skivspelare/kassettdäckspelare
12. Radera filer på USB-minne/SD-minneskort
13. Skötsel och underhåll
14. Specifikationer

# 1. Säkerhet

- Produkten får endast repareras av kvalificerad servicepersonal.
- Produkten får inte demonteras eller ändras.
- Placera inte produkten så att den kan falla ner i vatten eller annan vätska. Ställ inte några föremål som innehåller vätska på produkten, t.ex. blomvas eller läskedryck.
- Stäng av eventuell standbyfunktion om natten eller när du reser bort.
- Täck inte över anläggningen. Tillräcklig ventilation, med ett minsta avstånd på 15 cm mellan ventilationsöppningar och omgivande ytor, är nödvändig för att förhindra att anläggningen blir för varm.
- Placera inte anläggningen i en fuktig, dammig miljö eller där det förekommer starka vibrationer.
- Långvarig exponering av hög ljudvolym från hörlurar kan orsaka skador på din hörsel.



## Varning! Öppna inte höljet!

Farlig spänning finns oskyddat på komponenter inuti produktens hölje. Kontakt med dessa kan leda till brand eller ge elektriska stötar.



## KLASS 1 LASERAPPARAT

Varning! Öppna inte höljet! Osynlig laserstrålning som kan orsaka ögonskador finns innanför höljet. Rikta inte blicken in mot strålen och titta inte direkt på den genom optiska instrument.

# 2. Produktbeskrivning

- Skivspelare med CD/MP3-spelare, kassettdäck, radio samt anslutning för USB-minne och SD-kort.
- Inbyggd förstärkare och externa högtalare.
- Inspelning på USB-minne eller SD-kort från skivspelaren, kassettdäck eller CD/MP3-spelaren.
- Omkopplare för 33/45 rpm.
- Auto-Stop när skivan är färdigspelad.
- Inbyggd RIAA-förstärkare och lågnivåutgång.
- Levereras med fjärrkontroll.
- Uttag för stereohörlurar.

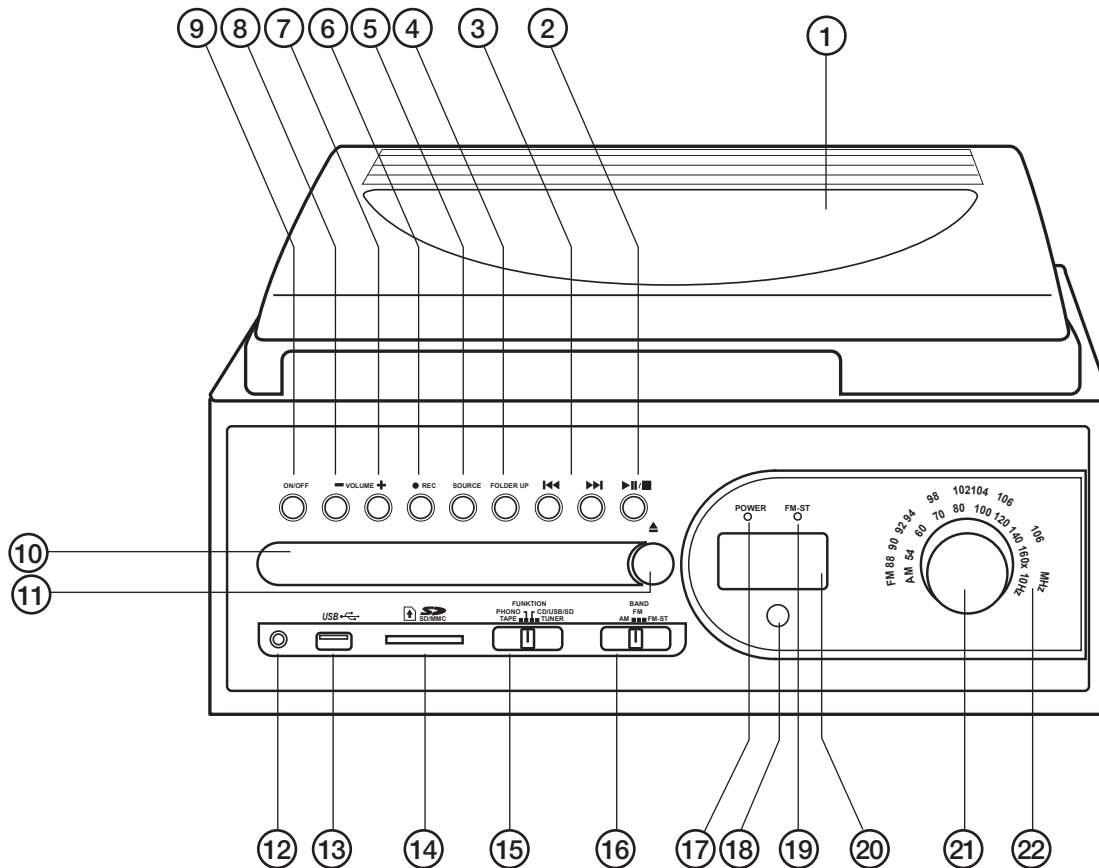
# 3. Förpackningens innehåll

- Skivspelare
- 2 st. högtalare
- Fjärrkontroll
- Bruksanvisning



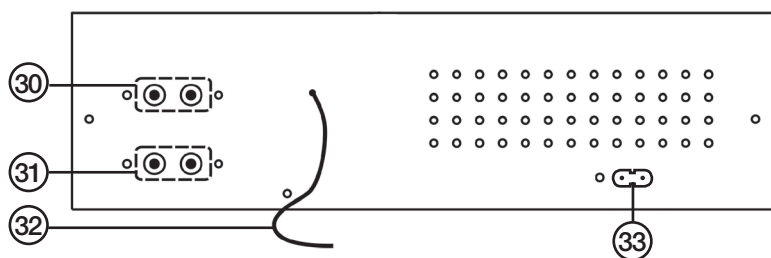
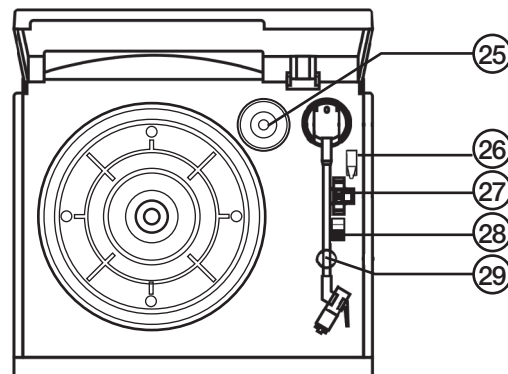
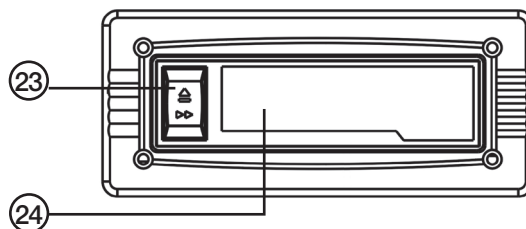
# 4. Knappar och funktioner

## Skivspelaren



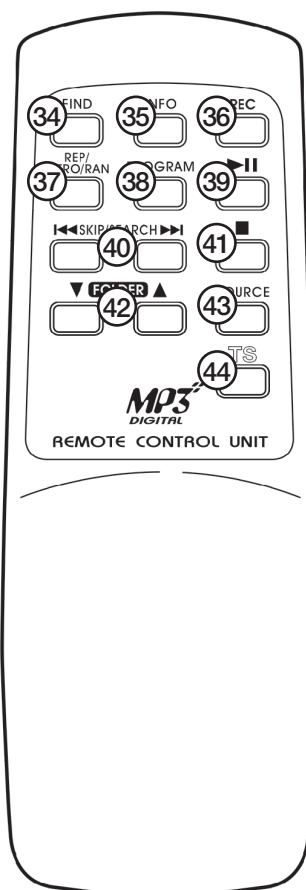
1. **Lock**
2. [**▶||■**] – Starta uppspelning/paus/ stoppa uppspelning.
3. [**▶▶**] [**◀◀**] – Föregående/nästa spår.
4. [**FOLDER UP**] – Gå till nästa mapp (MP3).
5. [**SOURCE**] – Väljer USB-minne, SD-minneskort eller CD.
6. [**• REC**] – Inspelning.
7. [**VOLUME +**] – Öka volym.
8. [**VOLUME -**] – Sänk volym.
9. [**ON/OFF**] – Strömbrytare.
10. **CD-fack.**
11. [**▲**] – Öppna/stäng CD-fack.
12. **Hörlursuttag.**
13. **USB-uttag.**
14. **Uttag för SD/MMC -minneskort.**
15. [**FUNCTION**] – Funktionsväljare: TAPE (kassett) – PHONO (skivspelare) – CD/USB/SD – TUNER (radio).
16. [**AM/FM**] – Funktionsväljare för radio: AM – FM – FM Stereo.
17. **POWER** – Indikatorlampa som lyser när anläggningen är tillslagen.
18. **IR-sensor till fjärrkontroll.**
19. **FM ST** - Indikatorlampa som lyser när radion tar emot FM-stereo.
20. **LCD display.**
21. **TUNING** – Frekvensratt.
22. **Frekvensskala.**

23. **[▲]** – Snabbspolning framåt/mata ut kassetband.
24. **Lock till kassettfack.**
25. **Singeladapter** (skivpuck) till skivtallrik.
26. **Tonarmslyft** – Lyft/sänk tonarmen.
27. **33/45 RPM** – Hastighetsväljare till skivspelare.
28. **AUTO STOP ON/OFF** – Strömbrytare till skivspelarens AutoStop-funktion.
29. **Tonarmsstöd** (med transportlås).
30. **Line Out L/R** – Lågnivåutgång (vänster, höger).
31. **SPEAKER L/R** – Högtalaranslutning (vänster, höger).
32. **FM-antenn.**
33. **Uttag för nätkabel.**



## Fjärrkontrollen

34. **[FIND]** – Sök filnamn (vid MP3-uppspelning).
35. **[INFO]** – Välj inspelningskvalitet (Encoding Bitrate) och visa ID3-tag.
36. **[REC]** – Tryck för att starta inspelning eller kopiering.
37. **[REP/INTRO/RAN]** – Repetition/intro (spela de första 10 sekunderna på varje spår)/slumpmässig uppspelning (vid CD/MP3-uppspelning).
38. **[PROGRAM]** – Programmerad uppspelning från CD, MP3, minneskort eller USB.
39. **[▶||]** – Starta uppspelning/gör paus i uppspelningen.
40. **[◀|]** – **[▶|]** - Föregående/nästa spår.
41. **[■]** – Stoppar CD/MP3-uppspelning/tar bort sparad program.
42. **[FOLDER ▲]** **[FOLDER ▼]** – Byt katalog (vid MP3-uppspelning).
43. **[SOURCE]** – Välj CD, USB-minne eller SD-minneskort.
44. **[TS]** (Track Separation) – Delar upp en inspelning i flera filer.

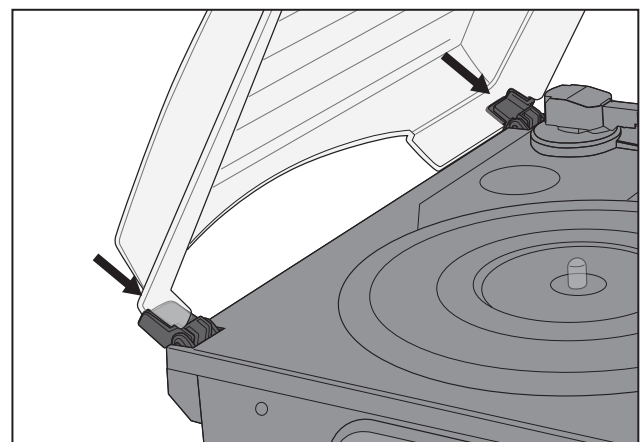
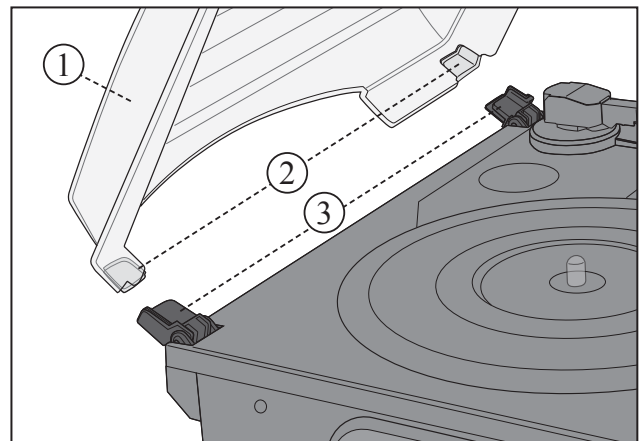
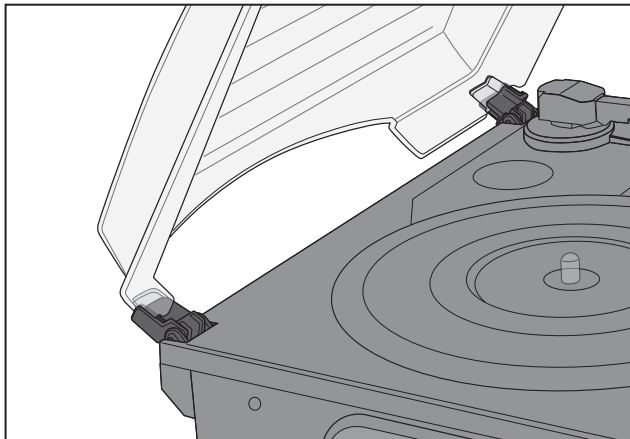


## 5. Montering & installation

### 5.1 Montera locket

**Obs!** Nummerhänvisningarna (1–3) gäller endast bilderna i detta avsnitt.

1. Se till att gångjärnen (3) är vikta bakåt.
2. Passa i locket (1) hållare (2) i gångjärnen (3).
3. Tryck försiktigt fast dem så att locket sitter ordentligt i gångjärnen.



### 5.2 Anslut högtalare

Anslut höger och vänster högtalare till höger (R) och vänster (L) högtalargång (31) på apparatens baksida. **Obs!** Anslut alltid högtalarna innan du slår på musikanläggningen.

### 5.3 Anslutning till elnätet

1. Anslut nätsladdens lilla kontakt till uttaget (33) på skivspelaren och stickproppen till ett eluttag. Kontrollera att spänningen (V), som finns angiven på märkskylten på baksidan av anläggningen är densamma som i ditt lokala elnät (230 V AC, 50 Hz). Rådfråga återförsäljaren eller ett serviceställe om så inte är fallet.
2. För att helt stänga av strömmen: Dra ur stickproppen ur vägguttaget. Dra även ur stickproppen ur vägguttaget vid kraftiga åskväder för att skydda anläggningen.

### Strömsparkläge

Skivspelaren går automatisk över till **strömsparkläge efter 15 minuter** när sista låten har spelats på en LP-skiva, CD-skiva, USB-minne, SD-kort eller kassett. Skivspelaren går även automatisk över till **strömsparkläge efter 15 minuter** när den står i pausläge (CD-skiva, USB-minne, SD-kort). **För att starta skivspelaren från strömsparkläget tryck två gånger på [ON/OFF] – strömbrytaren.**

### 5.4 Sätt i batterier i fjärrkontrollen

1. Ta bort fjärrkontrollens batterilock.
2. Sätt i batterierna (2 st. AAA/R03, 1,5 V) enligt märkningen i batterifacket.
3. Tryck fast batterilocket.

### 5.5 Placering

Placera skivspelaren på ett plant och hårt underlag. Se till att den inte utsätts för vibrationer eller stötar.

## 6. Radio

### FM och AM (mellanvåg)

1. Sätt [FUNCTION] (15) i läge **TUNER**.
2. Sätt funktionsväljaren (16) i läge **AM, FM** (mono) eller **FM-ST** (stereo).
3. Ställ in önskad frekvens med frekvensratten (21).
4. Placera antennen (32) på lämpligt sätt så att du har bästa möjliga mottagning.
5. Justera volymen till önskad nivå med volymknapparna [VOLUME +] (7) och [VOLUME -] (8).

### Tips för bättre mottagning

**AM:** Apparaten har en inbyggd antenn för AM-mottagning. Mottagningen kan påverkas genom att vrida eller flytta på skivspelaren.

**FM:** Antennen bör vara fullt utrullad och utsträckt för bästa mottagning.

## 7. CD-spelare

### 7.1 Lyssna på CD-skiva

1. Sätt [FUNCTION] (15) i läge **CD/USB/SD**.
2. Öppna CD-facket genom att trycka på [OPEN/CLOSE] (11).
3. Placera en CD-skiva (ljud eller CD-R/CD-RW) med etiketten vänd uppåt i CD-facket.
4. Tryck på [OPEN/CLOSE] (11) för att stänga CD-facket.
5. När skivan är inläst visar displayen det totala antalet spår på skivan.
6. Tryck på [▶||■] (2) eller (39) för att starta uppspelningen. Det första spåret spelas upp.
7. För att tillfälligt göra paus i uppspelningen, tryck igen på [▶||■] (2) eller (39). Aktuellt spårnummer blinkar i displayen. Tryck åter på [▶||■] (2) eller (39) för att fortsätta uppspelningen.
8. För att stoppa avspelnings: Tryck och håll in [▶||■] (2) eller (39) i 2 sekunder.

### 7.2 Välj ett annat spår

Under uppspelningen eller i pausläget kan du använda [▶▶I] [I◀◀] (3) eller (40) för att välja ett annat spår.

1. Tryck en gång kort på [▶▶I] [I◀◀] (3) eller (40) för att komma till nästa spår, eller tryck upprepade gånger tills det önskade spårnumret visas på displayen.
2. Tryck en gång kort på [▶▶I] [I◀◀] (3) eller (40) för att återgå till början på det spår som just spelas. Tryck kort upprepade gånger för att komma till tidigare spår.

### 7.3 Sök ett avsnitt i spåret som spelas nu

1. Tryck och håll in [▶▶I] [I◀◀] (3) eller (40) för att söka ett avsnitt i ett spår. Spåret spelas nu med hög hastighet och låg volym.
2. Släpp knappen när du hör det avsnitt du söker. Den normala avspelningsen fortsätter.

### 7.4 Spela en CD-skiva med MP3-filer

1. Sätt [FUNCTION] (15) i läge **CD/USB/SD**.
2. Öppna CD-facket genom att trycka på [OPEN/CLOSE] (11).
3. Placera en CD-skiva (ljudskiva eller CD-R/CD-RW innehållande MP3-filer) med etiketten vänd uppåt i CD-facket.
4. Stäng CD-facket genom att trycka på [OPEN/CLOSE] (11).
5. Efter en kort stund visar displayen det totala antalet spår på skivan.
6. Tryck en eller flera gånger på [FOLDER] (4) eller (42) för att välja den katalog du vill spela upp. Katalognumret visas i displayen.
7. Använd [▶▶I] [I◀◀] (3) eller (40) för att välja önskat spår i den valda katalogen.
8. Tryck på [▶||■] (2) eller (39) för att starta uppspelningen.
9. För att tillfälligt göra paus i uppspelningen: Tryck igen på [▶||■] (2) eller (39). Aktuellt spårnummer blinkar i displayen. Tryck åter på [▶||■] (2) eller (39) för att fortsätta uppspelningen.
10. För att stoppa avspelningsen: Tryck och håll in [▶||■] (2) eller (39) i 2 sekunder.

**Anm.**

- Ljudkvaliteten på MP3-filer kan variera beroende på skivans eller inspelningens kvalitet.
- Tiden för apparaten att läsa in en MP3-skiva tar vanligtvis längre tid än en vanlig audioskiva.

**7.5 Visa musikinformation (via fjärrkontrollen)**

1. Under uppspelning av MP3-filer, tryck en gång på knappen [INFO] (35) på fjärrkontrollen för att visa eller dölja ID3-informationen om det aktuella spåret.
2. Finns ingen information tillgänglig för det aktuella spåret visas istället texten "NONE" eller "UNKNOWN" i displayen.

**7.6 Sök låt efter titel (via fjärrkontrollen)**

Du kan söka en låt efter dess titel/namn.

1. Vid stoppad uppspelning, tryck en gång på knappen [FIND] (34) på fjärrkontrollen.
2. Använd [▶▶|] [I◀◀] (3) eller (40) för att bläddra bland låtarna i alfabetisk ordning.
3. Tryck på [▶||■] (2) eller (39) två gånger för att starta uppspelningen av den valda låten.

**7.7 Sök katalog (via fjärrkontrollen)**


Du kan söka en katalog efter dess titel/namn.

1. Vid stoppad uppspelning, tryck två gånger på knappen [FIND] (34) på fjärrkontrollen.
2. Använd [▶▶|] [I◀◀] (3) eller (40) för att bläddra bland katalogerna i alfabetisk ordning.
3. Tryck på [▶||■] (2) eller (39) för att starta uppspelningen av låtarna i den valda katalogen.


**Anm.** Displayen kan endast visa tecken ur det engelska alfabetet.

**7.8 Avancerade funktioner****Repeterad avspelning (CD)**

Repeat 1 → Repeat All → Intro → Random → Off



**A. Repeat 1 (Repetera pågående spår)**

Tryck en eller upprepade gånger på [REP/INTRO/RAN] (37) för att repetera ett spår.

Symbolen  visar att Repeat 1 är aktiverad.

**B. Repeat All (Repetera alla spår)**

Tryck en eller upprepade gånger på [REP/INTRO/RAN] (37) för att repetera en hel skiva.

Symbolen  ALL visar att Repeat All är aktiverad.

**C. INTRO (spela upp början på spår)**

För att spara tid när du söker en viss låt spelas de 10 första sekunderna från alla spår upp i följd. Tryck en eller upprepade gånger på [REP/INTRO/RAN] (37) för att starta uppspelningen med intro-funktionen aktiverad. "INTRO" visas i displayen när funktionen är aktiverad.

**D. RANDOM (Slumpmässig avspelning)**

Tryck en eller upprepade gånger på [REP/INTRO/RAN] (37) för att aktivera slumpmässig avspelning.

"RANDOM" visas i displayen när funktionen är aktiverad. Tryck åter på [REP/INTRO/RAN] (37) eller på [■] (41) för att stänga av slumpmässig avspelning.

**E. OFF (Ingen repetition)**

Tryck upprepade gånger på [REP/INTRO/RAN] (37) för att stänga av repetition. Ingen symbol visas på displayen.


## Repeterad avspelning (MP3)

Repeat 1 → Repeat All → Repeat Folder → Intro → Random → Off




### A. Repeat 1 (Repetera pågående spår).

Tryck en eller upprepade gånger på [REP/INTRO/RAN] (37) för att repetera pågående spår.

Symbolen  visar att Repeat 1 är aktiverad.


### B. Repeat All (Repetera alla spår på skivan).

Tryck en eller upprepade gånger på [REP/INTRO/RAN] (37) för att repetera alla spår på skivan.

Symbolen  visar att Repeat All är aktiverad.

### C. Repeat Folder (Repetera alla spår i mappen).

Tryck en eller upprepade gånger på [REP/INTRO/RAN] (37) för att repetera alla mappar (och spår).

Symbolen  visar att Repeat Folder är aktiverad.

### D. INTRO (Spela upp början på spår)

För att spara tid när du söker en viss låt spelas de 10 första sekunderna från alla spår upp i följd av alla spår.

Tryck en eller upprepade gånger på [REP/INTRO/RAN] (37) för att starta uppspelningen med intro-funktionen aktiverad. "INTRO" visas i displayen när funktionen är aktiverad.

### E. RANDOM (Slumpmässig avspelning)

Tryck en eller upprepade gånger på [REP/INTRO/RAN] (37) för att aktivera slumpmässig avspelning. "RANDOM" visas i displayen när funktionen är aktiverad.

Tryck åter på [REP/INTRO/RAN] (37) eller på [■] (41) för att stänga av slumpmässig avspelning.

### F. OFF (Ingen repetition)

Tryck upprepade gånger på [REP/INTRO/RAN] (37) för att stänga av repetition, ingen symbol visas på displayen.

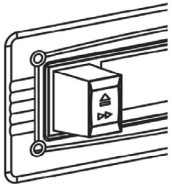
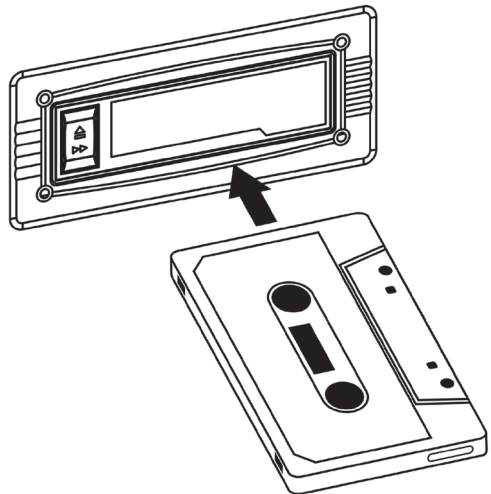
## 7.9 Programmerad uppspelning (via fjärrkontrollen)

Upp till 32 spår kan programmeras i valfri ordning.

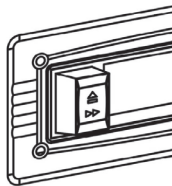
1. Stoppa uppspelningen genom att trycka på [■] (41).
2. Tryck en gång på [PROGRAM] (38) på fjärrkontrollen. "PROG", programnummer samt spårnummer visas i displayen.
3. Använd [I◀] [▶I] / (40) för att välja det spår som ska programmeras.
4. Bekräfta genom att trycka en gång på [PROGRAM] (38). Spårnumret blinkar nu i displayen.
5. Repetera steg 3 och 4 för att spara flera spår i minnet.
6. Tryck på [▶II] (39) för att starta avspelningen i den ordning du nyss programmerat.
7. Tryck på [■] (41) för att stoppa avspelningen och tryck och håll in [■] (41) till "PROG" försvinner ifrån displayen för att radera programminnet.

## 8. Bandspelare

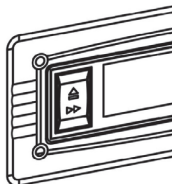
1. Ställ [FUNCTION] (15) i läge **TAPE**.
2. Tryck in ett kassetband med kortsidan före. Den sida som vänds uppåt spelas upp.
3. Bandspelaren startar automatiskt när kassetten trycks in.
4. Bandspelarens funktioner styrs med knappen [**▲**] (23):



**PLAY** - Uppspelning pågår  
(knappen är helt ute).



**FAST FORWARD** – Snabbspolning framåt  
(knappen är delvis intryckt), tryck in knappen lite för att avsluta snabbspolningen och återgå till uppspelning.



**EJECT** – Mata ut kassetten (tryck in knappen helt).

### OBS!

Under snabbspolning framåt (FAST FORWARD) kan ljud höras från kassetten. Ta alltid ur kassetbandet när det inte används.

## 9. Skivspelare

1. Ta bort nålskyddet från pickupen och vik ut tonarmens transportlås (29).
2. Sätt [FUNCTION] (15) i läge **PHONO** för att slå på skivspelaren.
3. Placera en skiva på skivtallriken. Vissa 45-varvsskivor har stort centrumhål och behöver då singeladaptorn (25) för att kunna spelas.
4. Välj rätt hastighet för skivan med hastighetsväljaren (27).
5. Lyft tonarmen med tonarmslyften (26) och för in tonarmen över skivan. Skivtallriken börjar snurra.
6. Sänk försiktigt ner tonarmen vid början på önskat spår med tonarmslyften (26).
7. Avspelningen av skivan börjar. Justera volymen till önskad nivå med [VOLUME +] (7) och [VOLUME -] (8).
8. Lyft tonarmen tillbaka till pick-uphållaren när avspelningen är avslutad. Tallriken slutar att snurra.

### OBS!:

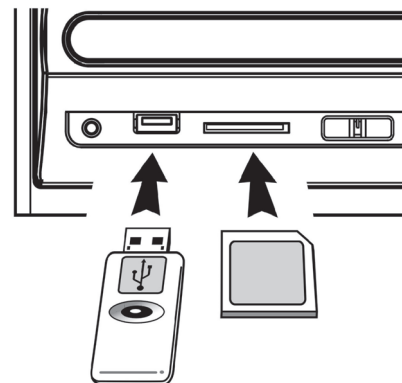
Vissa skivor har slutindikeringen utanför skivspelarens auto-stop-område. Detta medför att vissa skivor slutar spela redan innan skivans sista spår. Detta avhjälpas genom att sätta omkopplaren [AUTO STOP] (28) i läge **OFF**.

**OBS!** Skivan kommer att fortsätta snurra även när sista spåret har spelats. För att stoppa skivan: Sätt omkopplaren [AUTO STOP] (28) i läge **ON**.

## 10. Spela upp MP3-filer från ett minneskort eller USB-minne

Musikanläggningen kan spela upp MP3-filer från ett USB-minne eller ett minneskort av typen SD eller MMC.

1. Sätt i ett USB-minne/minneskort i enligt bilden. Se till att vända USB-minnet/minneskortet rätt för att inte skada kontakten. Skjut alltid USB-minnet/minneskortet rakt in utan att böja det.
2. Sätt [FUNCTION] (15) i läge CD/USB/SD och tryck sedan på [SOURCE] (5) eller (43) för att välja **USB** (USB-minne) eller **CARD** (minneskort). Displayen indikerar vald källa, typ av ljudformat samt totala antalet spår.
3. Efter en kort stund visar displayen det totala antalet låtar på skivan.
4. Tryck en eller flera gånger på [FOLDER] (4) eller (42) för att välja den katalog du vill spela upp. Katalognamnet visas på displayen.
5. Använd [▶▶I] [I◀◀] (3) eller (40) för att välja önskat spår i den valda katalogen.
6. Tryck på [▶II/■] (2) eller (39) för att starta uppspelningen.
7. För att tillfälligt stoppa uppspelningen: Tryck igen på [▶II/■] (2) eller (39). Aktuellt spårnummer blinkar i displayen. Tryck åter på [▶II/■] (2) eller (39) för att fortsätta uppspelningen.
8. För att stoppa avspelningen: Tryck och håll in [▶II/■] (2) eller (41) i 2 sekunder.




**Obs!** Tillvägagångssättet för övriga funktioner är lika som ” 7.4 Spela en CD-skiva med MP3-filer” punkterna 7.5, 7.6, 7.7, 7.9 och 7.10.

## 11. Spela in MP3 från CD/skivspelare/kassettspelare


Musikanläggningen kan spela in ljudfiler som MP3-format på minneskort eller USB-minne från CD-skiva, skivspelare eller kassettspelare.

### A. Spela in från CD-skiva.


#### I. Spela in ett spår från CD-skivan.

1. Starta uppspelning av CD-skivan som vanligt.
2. Tryck på [REC] (6) eller (36) för att starta inspelningen (under tiden som uppspelningen av spåret pågår). På displayen visas  **REC** blinkande under tiden som inspelningen pågår.
3. När inspelningen är klar avbryts den automatiskt.
4. Tryck på [REC] (6) eller (36) om du vill stoppa inspelningen i förväg.

#### II. Spela in hela CD-skivan

1. Lägg i CD-skivan, stäng CD-facket och vänta tills skivan har blivit inläst.
2. Tryck på [REC] (6) eller (36) för att starta inspelningen. På displayen visas  **REC** blinkande under tiden som inspelningen pågår.
3. När inspelningen är klar avbryts den automatiskt.
4. Tryck på [REC] (6) eller (36) om du vill stoppa inspelningen i förväg.

#### III. Spela in valda spår från CD-skivan.

1. Lägg i CD-skivan och vänta tills den har blivit inläst.
2. Välj de önskade spåren och spara dem enligt avsnittet: 7.10 Programmerad uppspelning (via fjärrkontrollen).
3. Tryck på [REC] (6) eller (36) för att starta inspelningen, på displayen visas  **REC** blinkande under tiden som inspelningen pågår.
4. När inspelningen är klar avbryts den automatiskt.
5. Tryck på [REC] (6) eller (36) om du vill stoppa inspelningen i förväg.



**Obs!**

- Inspelningstiden blir lika lång som speltiden.
- En "AUDIO" -mapp skapas och där sparas inspelningen.
- Inspelningsformatet är förinställt som MP3 med Bit Rate 128 kbps och Sampling Rate 44.1 kHz.
- Sångtitlarna kommer inte att sparas vid inspelningen.
- För att en musikfil ska sparas måste hela spåret spelas in. Avbryts inspelningen i förtid sparas ingen fil på minneskort eller USB-minne.



**IV. Kopiera MP3-filer****Kopiering från CD-skiva.**

- Om CD-skivan endast innehåller MP3-filer kommer filerna att kopieras i detta format. Tillvägagångssättet att kopiera är lika som: "Spela in från CD-skiva" (Se under 11.A.)

**Kopiering mellan minneskort och USB-minne**

- Tryck på [REC] (6) eller (36) under uppspelning från minneskort eller USB-minne för att starta kopiering från minneskort till USB-minne eller från USB-minne till minneskort.

**B. Spela in från skivspelare**

1. Sätt [FUNCTION] (15) i läge **PHONO**.
2. Tryck på [REC] (6) eller (36).
3. På displayen visas först "USB" och sedan visas   . När symbolerna börjar blinka startar inspelningen.
4. Starta uppspelningen av vinylskivan med det spår som du vill spela in.
5. När inspelningen är färdig: Tryck och håll in [REC] (6) eller (36) tills displayen slutar blinka.

**OBS!** Vill du starta inspelningen direkt: Tryck på [REC] (6) eller (36) snabbt 2 gånger.

**C. Spela in från kassettbandspelare**

1. Sätt [FUNCTION] (15) i läge **TAPE**.
2. Tryck på [REC] (6) eller (36).
3. På displayen visas först "USB" eller "CARD" och sedan visas  . När symbolen börjar blinka startar inspelningen.
4. Starta uppspelningen från kassettbandet med det spår som du vill spela in.
5. Tryck och håll in [REC] (6) eller (36) tills displayen slutar blinka när inspelningen är färdig.

**OBS!** Vill du starta inspelningen direkt: Tryck på [REC] (6) eller (36) snabbt 2 gånger.

**OBS!** Filerna sparas på USB-minnet (om både minneskort och USB-minne är anslutna).

**D. Manuell inställning av "Bit Rate" vid inspelning från CD, skivspelare eller bandspelare**

1. Sätt [FUNCTION] (15) i läge **PHONO** eller **TAPE**.
2. Tryck på [INFO] (35). Det inställda värdet (128 Kbps) för "Bit Rate" visas på displayen.
3. Tryck på   (3) eller (40) för att ställa in önskat värde: 32 – 64 – 96 – 128 – 192 – 256 kbps
4. Tryck på [INFO] (35) för att bekräfta.

**E. Track separation (TS)**

För att dela upp en inspelning från skivspelare eller kassettbandspelare i flera filer, gör enligt följande: Tryck en gång på [TS] (44) för att infoga en paus och skapa en ny fil där nästa spår kommer att spelas in. Gör lika på alla ställen där du vill dela upp inspelningen i flera filer. Varje gång en ny fil skapas blinkar "PHONO"- eller "TAPE"-symbolen en gång på displayen.

**OBS!** Detta måste göras under inspelningen.

## 12. Radera filer på USB-minne/SD-minneskort

### Radera en fil

1. Sätt i ett USB-minne eller ett minneskort. Sätt sedan funktionsomkopplaren i läge **USB** eller **SD**.
2. Tryck och håll in [INFO] (35) i ca 3 sekunder. Displayen visar "DEL -001".
3. Välj vilken fil som ska raderas med [▶▶▶] [◀◀◀] (3) eller (40).
4. Tryck på [REC] (36). "YES" och "NO" blinkar. Tryck på [▶▶▶] [◀◀◀] (3) eller (40) för att välja **YES** (för att radera den valda filen) eller **NO** för att avbryta raderingen.
5. Tryck igen på [REC] (6) eller (36) för att bekräfta valet. Tryck en gång till på [■] (41) för att avbryta raderingen.

### Radera alla filer

1. Sätt i ett USB-minne eller ett minneskort. Sätt sedan funktionsomkopplaren i läge **USB** eller **SD**.
2. Tryck och håll in [INFO] (35) i ca 3 sekunder. Displayen visar "DEL -001".
3. Tryck på [REC] (36). "YES" och "NO" blinkar. Tryck på [▶▶▶] [◀◀◀] (3) eller (40) för att välja **YES** (för att radera alla filer) eller **NO** för att avbryta raderingen.
4. Tryck på [REC] (36) för att bekräfta valet.
5. Tryck en gång på [■] (41) för att avbryta raderingen.

**Obs!** Alla filer på USB-minnet eller minneskortet kommer att raderas när du bekräftar med **YES**.

### Ta ur USB-minnet/minneskortet

Stäng alltid av enheten innan du tar bort ur USB-minne/SD-minneskort.

**USB-minne:** Dra USB-minnet rakt ut för hand.

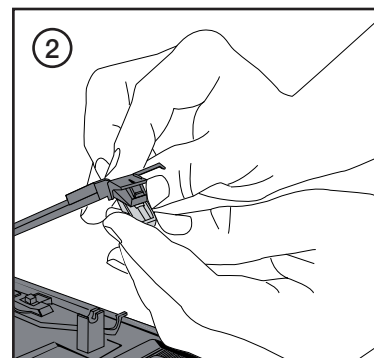
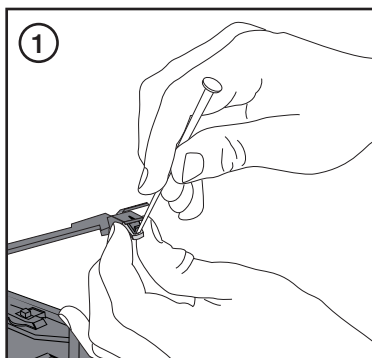
**Minneskort:** Tryck försiktigt in minneskortet lite, kortet fjädrar sedan utåt och kan dras ut för hand.

## 13. Skötsel och underhåll

- Gör ren dammiga skivor med en skivborste.
- Fäll alltid ned locket när skivspelaren inte används. Detta för att förhindra att damm samlas på skivtallrik och nål.
- Skivspelaren kan vid behov torkas med en lätt fuktad trasa.

### Byte av nål

1. Håll i pickupen med ena handen och tryck ner en liten spårmejsel i framkanten mellan pickupen och nålen. Bänd mejseln försiktigt bakåt enligt bilden så att nålen lossnar.
2. Sätt i en ny nål genom att trycka fast nålen i bakkanten först. Tryck därefter fast den i framkanten.



## 14. Specifikationer

Nätspänning:	230 V AC, 50 Hz
Hastighet skivspelare:	33/45 v/min
Frekvensområde radio:	87,5 – 108 MHz (FM), 540 – 1600 kHz (AM)
Bitrate, MP3:	32 – 256 kbps
Uteffekt:	2×2 W
Storlek (skivspelare):	318 × 285 × 178 mm (B×D×H)
Storlek (högtalare):	120 × 140 × 195 mm (B×D×H)
Vikt:	4,7 kg

# Platespiller med cd, mp3, kassett-spiller og radio

Art.nr. 38-4173      Modell TCD-983WEC

Les bruksanvisningen nøye før produktet tas i bruk, og ta vare på den for framtidig bruk. Vi reserverer oss mot ev. tekst- og bildefeil, samt forandringer av tekniske data. Ved tekniske problemer eller spørsmål, ta kontakt med vårt kundesenter. (Se opplysninger om kundesenteret i denne bruksanvisningen).

## Innhold

1. Sikkerhet
2. Produktbeskrivelse
3. Forpakningens innhold
4. Knapper og funksjoner
5. Montering og installasjon
6. Radio
7. CD-spiller
8. Kassettspiller
9. Platespiller
10. Spill mp3-filer fra et USB-minne eller minnekort
11. Spill inn mp3 fra cd-/plate-/kassettspiller
12. Radere filer på USB-minne/SD minnekort
13. Stell og vedlikehold
14. Spesifikasjoner

# 1. Sikkerhet

- Produktet må kun repareres av kvalifisert servicepersonell.
- Produktet må ikke demonteres eller endres på.
- Plasser ikke produktet slik at det kan komme i kontakt med vann eller annen væske. Plasser aldri produktet nær gjenstander, som kan forårsake at vann eller annen væske skylles over produktet. Dette gjelder blomstervaser, leskedrikk etc.
- Skru av en eventuell standby-funksjon om natten og når du reiser bort.
- Produktet må ikke tildekkes. Sørg for tilstrekkelig ventilasjon. Avstand fra ventilasjonsåpninger på anlegget og tilstøtende flater bør være min. 15 cm. Dette for å hindre at anlegget blir for varmt.
- Plasser ikke anlegget i fuktig eller støvete miljø, eller der det forekommer sterke vibrasjoner.
- Langvarig eksponering av høy lyd fra headset/hodetelefoner, kan føre til kroniske hørselsskader.



**Advarsel!** Dekselet må ikke åpnes.

Farlig spenning ligger ubeskyttet på visse komponenter under produktets deksel. Kontakt med disse kan føre til brann eller gi elektriske støt.



**KLASSE 1 LASERAPPARAT**

**Advarsel!** Dekselet må ikke åpnes. Usynlig laserstråler som kan føre til øyeskader. Vend ikke blikket mot strålen, og se ikke rett på den gjennom optiske instrumenter.

## 2. Produktbeskrivelse

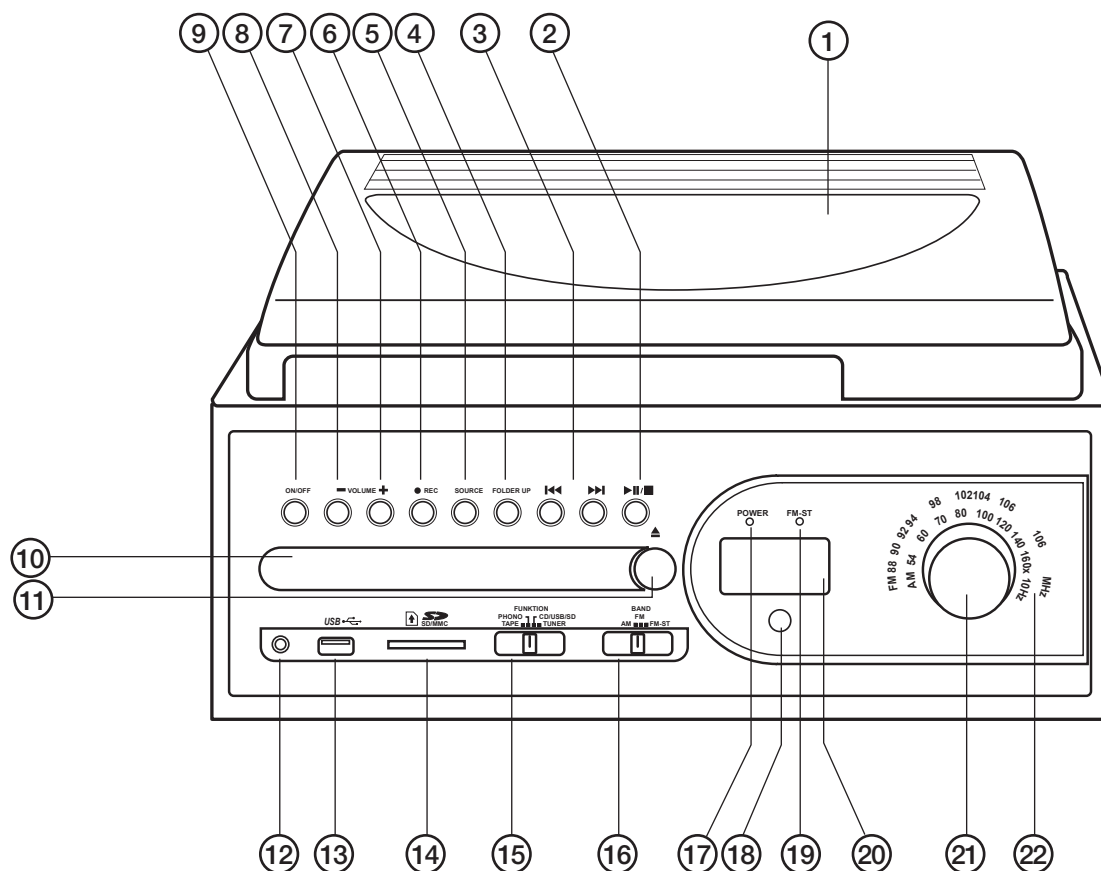
- Platespiller med cd/mp3-spiller, kassettpiller, radio og tilkobling for usb-minne og sd-kort.
- Innebygd forsterker og eksterne høyttalere.
- Innspilling på usb-minne eller sd-kort fra platespiller, kassettpiller cd/mp3-spiller.
- Justerbar hastighet, 33 eller 45 rpm.
- Auto-stopp når platen er ferdigspilt.
- Innebygd RIAA-forsterker og lavnivåuttak.
- Leveres med fjernkontroll.
- Uttak for stereohodetelefoner.

## 3. Forpakningens innhold

- Platespiller
- 2 stk. høyttalere
- Fjernkontroll
- Bruksanvisning

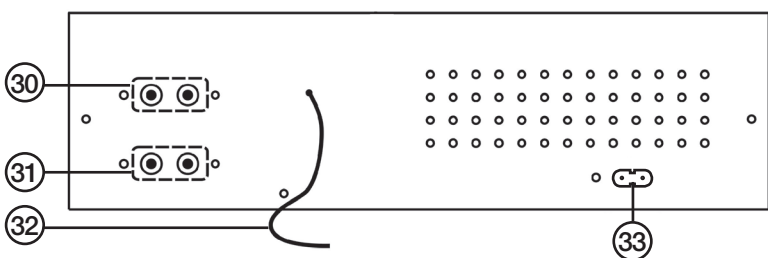
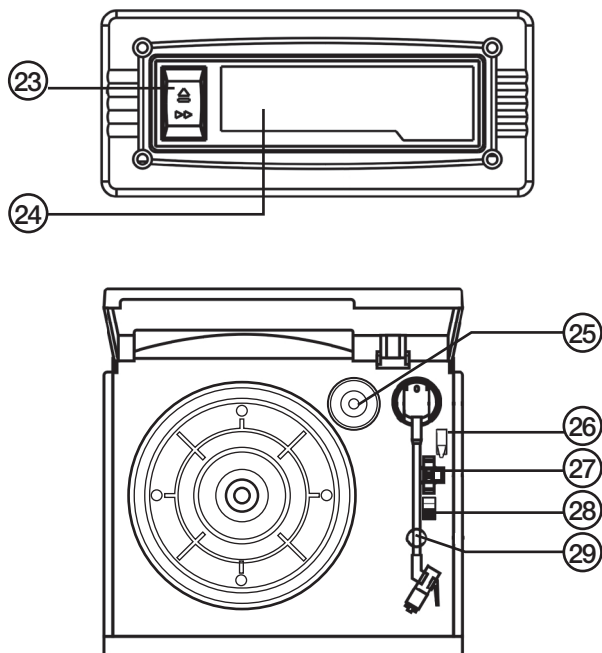
## 4. Knapper og funksjoner

### Platespiller



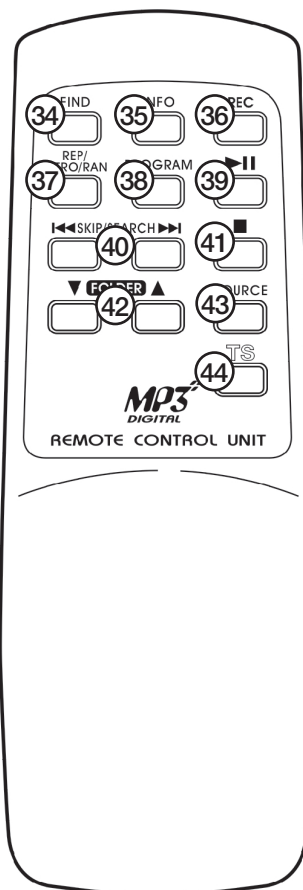
1. **Lokk.**
2. [**▶ II/■**] – Starte avspilling/pause/stoppe avspilling.
3. [**▶▶ I**] [**I ◀◀**] – Foregående/neste spor.
4. [**FOLDER UP**] – Gå til neste mappe (MP3).
5. [**SOURCE**] – Velger USB-minne eller SD-minnekort eller CD.
6. [**• REC**] – Spill inn.
7. [**VOLUME+**] - Heve volumet.
8. [**VOLUME-**] - Redusere volumet.
9. [**ON/OFF**] - Strømbryter.
10. **CD-skuff.**
11. [**▲**] – Åpne/stenge CD-skuff.
12. **Hodetelefonuttak.**
13. **Usb-uttak.**
14. **Uttak for minnekort (SD/MMC).**
15. [**FUNCTION**] – Funksjonsvelger: TAPE (kassett) – PHONO (platespiller) – CD/USB/SD – TUNER (radio).
16. [**AM/FM**] – Funksjonsvelger for radio: AM, FM eller FM Stereo.
17. **POWER** – Indikatorlampe som lyser når anlegger er skrudd på.
18. **IR-sensor for fjernkontroll.**
19. **FM ST** - Indikatorlampe som lyser når radioen tar imot FM-stereo.
20. **LCD-display.**
21. **TUNING** – Frekvensvelger.
22. **Frekvensskala.**

- 23. **[▲]** – Hurtigspoling framover/mate ut kassettbånd.
- 24. **Lokk til kassettskuff.**
- 25. **Singeladapter.**
- 26. **Spake for heve/senke pick-up-arm.**
- 27. **33/45 RPM** – Hastighetsjustering.
- 28. **AUTO STOP ON/OFF** – Strømbryter til platespillerens Auto-stop-funksjon.
- 29. **Støtte for arm med transportlås.**
- 30. **Line Out L/R** – Lavnivåutgang (venstre, høyre).
- 31. **SPEAKER L/R** – Høynivåtilkobling (venstre, høyre).
- 32. **FM-antenne.**
- 33. **Uttak for strøm kabel.**



## Fjernkontrollen

- 34. **[FIND]** – Søk filnavn (ved MP3-avspilling).
- 35. **[INFO]** – Velg innspillingskvalitet (Encoding Bitrate) og vis ID3-tag.
- 36. **[REC]** – Trykk for å starte innspilling eller kopiering.
- 37. **[REP/INTRO/RAN]** – Repetisjon/intro (spill de første 10 sekundene på hvert spor)/tilfeldig rekkefølge på avspilling (ved CD/mp3-avspilling).
- 38. **[PROGRAM]** – Programmert avspilling fra CD, MP3, minnekort eller USB.
- 39. **[▶||]** – Start avspilling/ta en pause i avspillingen.
- 40. **[◀|] – [▶|]** – Foregående/neste spor.
- 41. **[■]** – Stopper MP3-avspilling/Sletter lagret program.
- 42. **[FOLDER ▲] [FOLDER ▼]** – Skifte katalog (ved MP3-avspilling).
- 43. **[SOURCE]** – Velger USB-minne eller SD-minnekort eller CD.
- 44. **TS (Track Separation)** – Deler opp en innspeling i flere filer.

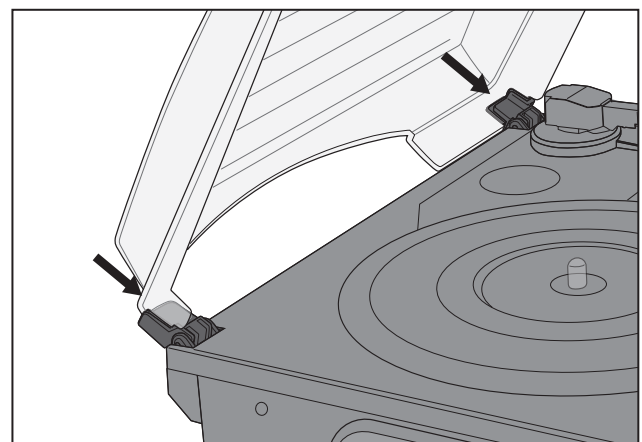
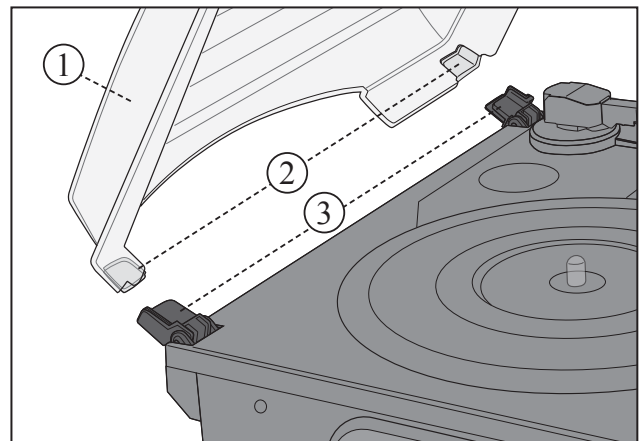
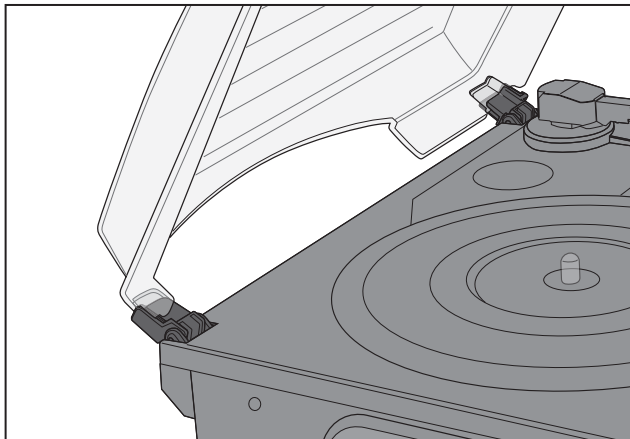


## 5. Montering og installasjon

### 5.1 Montere dekselet

**OBS!** Nummerhenvisningene (1–3) gjelder kun bildene i dette avsnittet.

1. Pass på at hengslet (3) peker bakover.
2. Fest lokket (1) og holder (2) i hengselet (3).
3. Trykk fast slik at lokket sitter godt festet i hengselet.



### 5.2 Tilkobling av høyttalere

Koble høyre og venstre høyttaler til høyre (R) og venstre (L) høyttalerutgang (31) på apparatets bakside.

**OBS!** Høyttalerne kobles før musikkanelegget skrur på.

### 5.3 Kobling til strømmettet

1. Den lille kontakten på strømkabelen kobles til uttaket (33) på platespilleren og støpselet plugges i et strømuttak. Kontroller at spenningen (V), som er angitt på merkeskiltet på baksiden av anlegget, er den samme som i ditt lokale strømmnett (230 V AC, 50 Hz). Spør forhandleren eller ett serviceverksted hvis dette ikke er tilfelle.
2. For å skru helt av strømmen: Trekk ut støpselet fra uttaket. Trekk også ut støpselet fra strømuttaket ved kraftig tordenvær, for å beskytte anlegget.

### Strømsparemodus

Produktet går automatisk over til **strømsparemodus 15 minutter etter** siste låten på LP-en, CD-en, USB-minnet eller kassetten er spilt. Produktet går også automatisk over til **strømsparemodus etter 15 minutter** når det står innstilt på pause.

**For å starte opp spilleren igjen fra strømsparemodus, trykk to ganger på [ON/OFF]-strømbryteren.**

### 5.4 Sette batterier i fjernkontrollen

1. Ta bort lokket på fjernkontrollens batteriholder.
2. Sett i 2 stk. 1,5 V, R03/AAA-batteri med polene vendt som merkingen i batteriholderen viser.
3. Trykk batterilokket på plass igjen.

### 5.5 Plassering

Plasser platespilleren på et plant og horisontalt underlag. Pass på at den ikke blir utsatt for vibrasjoner eller støt.

## 6. Radio

### FM og AM (mellombølge)

1. Sett [FUNCTION] (15) på **TUNER**.
2. Sett funksjonsvelgeren (16) på AM, FM (mono) eller FM-ST (stereo).
3. Still inn ønsket frekvens med frekvensvelgeren (21).
4. Plasser antennen (32) på et passende sted sånn at mottaksforholdene er best mulig.
5. Juster volumet til ønsket nivå med volumkontrollene (7) og (8).

### Tips for beste mulige mottak

**AM:** Anlegget har en innebygd antenne for AM-mottaking. Mottaksforholdet kan påvirkes ved å dreie på platespilleren eller flytte den til et annet sted.

**FM:** Antennen bør være rullet og strukket helt ut for best mulig mottak.

## 7. CD-spiller

### 7.1 Høre på CD-plater

1. Sett funksjonsvelgeren (15) på **CD/USB/SD**.
2. CD-lokket åpnes ved å trykke på [OPEN/CLOSE] (11).
3. Plasser en cd-plate (lydplate eller CD-R/CD-RW) med etiketten vendt oppover i cd-luken.
4. Trykk på [OPEN/CLOSE] (11) for å stenge CD-luken.
5. Når platen er lastet inn vil displayet vise det totale antallet med spor som platen inneholder.
6. Trykk på [▶||■] (2) eller (39) for å start avspillingen. Det første sporet spilles av.
7. For å ta en midlertidig pause i avspillingen, trykk en gang til på [▶||■] (2) eller (39). Aktuelt spornummer blinker i displayet. Trykk på [▶||■] (2) eller (39) en gang til for å restarte avspillingen.
8. For å stoppe spillingen: Trykk inn [▶||■] (2) eller (41) og hold inne i ca. 2 sekunder.

### 7.2 Velg et annet spor

Under avspillingen eller i pausemodus, kan du bruke [▶▶I] [I◀◀] (3) eller (40) for å velge et annet spor.

1. Trykk kort en gang på [▶▶I] [I◀◀] (3) eller (40) for å komme til neste spor, eller trykk gjentatte ganger til det ønskede spornummeret vises i displayet.
2. Trykk kort en gang på [I◀◀], for å gå tilbake til begynnelsen av det sporet du nettopp har spilt. Trykk flere ganger for å komme til tidligere spor.

### 7.3 Søk etter et avsnitt i sporet som spiller nå.

1. Trykk og hold inne [▶▶I] [I◀◀] (3) eller (40) for å søke et avsnitt i et spor. Sporet spilles nå med høy hastighet og lavt volum.
2. Slipp knappen når du hører det avsnittet du søker. Den normale avspillingen fortsetter.

### 7.4 Spill av en CD-plate som inneholder MP3-filer

1. Sett funksjonsvelgeren (15) på **CD/USB/SD**.
2. CD-lokket åpnes ved å trykke på [OPEN/CLOSE] (11).
3. Plasser en CD-plate (lydplate eller CD-R/CD-RW som inneholder MP3-filer) med etiketten vendt oppover i CD-luken.
4. CD-lokket lukkes ved å trykke på [OPEN/CLOSE] (11).
5. Etter en kort stund viser displayet det totale antallet spor på platen.
6. Trykk en eller flere ganger på [FOLDER] (4) eller (42) for å velge den katalogen du vil spille fra. Katalognummeret vises i displayet.
7. Benytt [▶▶I] [I◀◀] (3) eller (40) for å velge ønsket spor i katalogen.
8. Trykk på [▶||■] (2) eller (39) for å starte avspillingen.
9. Ønsker man en midlertidig pause i avspillingen, så trykk igjen på [▶||■] (2) eller (39). Aktuelt spornummer blinker i displayet. Trykk på [▶||■] (2) eller (39) en gang til for å restarte avspillingen.
10. For å stoppe spillingen: Trykk inn [▶||■] (2) eller (39) og hold inne i ca. 2 sekunder.



#### Anm.

- Lydkvaliteten på MP3-filer kan variere avhengig av platens og innspillingens kvalitet.
- Vanligvis tar det litt lenger tid å lese av en MP3-plate for spilling enn det det tar å lese en vanlig Audio-plate.

## 7.5 Vise musikkinformasjon via fjernkontrollen

1. Under spilling av en MP3-fil kan du trykke en gang på knappen INFO (35) på fjernkontrollen for å vise eller skjule ID3-informasjonen om det aktuelle sporet.
2. Dersom det ikke finnes informasjon tilgjengelig for det aktuelle sporet, vil i stedet teksten "NONE" eller "UNKNOWN" komme opp på displayet.

## 7.6 Å søke etter låt via fjernkontrollen

Du kan søke en låt etter dens tittel/navn.

1. Når spillingen er stoppet, trykk en gang på knappen FIND (34) på fjernkontrollen.
2. Bruk [▶▶I] [I◀◀] (3) eller (40) for å bla igjennom albumet i alfabetisk rekkefølge.
3. Trykk på [▶II■] (2) to ganger for å starte avspillingen av den valgte låten.

## 7.7 Søk katalog via fjernkontrollen

Du kan søke en katalog etter dens tittel/navn.

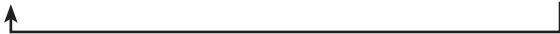
1. Når spillingen er stoppet, trykk to ganger på knappen FIND (34) på fjernkontrollen.
2. Bruk [▶▶I] [I◀◀] (3) eller (40) for å bla igjennom albumet i alfabetisk rekkefølge.
3. Trykk på [▶II■] (2) eller (39) for å starte avspillingen.

**Anm.** Displayet kan kun vise tegn/bokstaver fra det engelske alfabetet.


## 7.8 Avanserte funksjoner

### Repetert spilling (CD)


Repeat 1 → Repeat All → Intro → Random → Off



#### A. Repeat 1 (Repetere pågående spor)

Trykk en eller gjentatte ganger på REP/INTRO/RAN (37) for å repetere et spor. Symbolet  viser at Repeat 1 er aktivert.

#### B. Repeat All (Repeterer alle spor)

Trykk en eller gjentatte ganger på REP/INTRO/RAN (37) for å repetere en hel plate. Symbolet  ALL viser at Repeat All er aktivert.

#### C. INTRO (spille starten på spor)

For å spare tid når du søker etter en spesiell låt, spilles de 10 første sekundene av låtene av. Trykk en eller gjentatte ganger på REP/INTRO/RAN (37) for å starte avspillingen med intro-funksjonen aktivert. "INTRO" vises i displayet når funksjonen er aktivert.

#### D. RANDOM (avspeling i tilfeldig rekkefølge)

Trykk en eller gjentatte ganger på REP/INTRO/RAN (37) for å aktivere tilfeldig rekkefølge på låtene som spilles. "RANDOM" vises i displayet når denne funksjonen er aktiv. Trykk en gang til på [REP/INTRO/RAN] (37) eller på [■] (41) for å skru av tilfeldig avspilling.

#### E. OFF (Ingen repetisjon)


Trykk gjentatte ganger på [REP/INTRO/RAN] (37) for å skru av repetisjon. Det er da ikke noe symbol på skjermen.

## Repetert spilling (MP3)


Repeat 1 → Repeat All → Repeat Folder → Intro → Random → Off




### A. Repeat 1 (Repetere pågående spor)

Trykk en eller gjentatte ganger på [REP/INTRO/RAN] (37) for å repetere pågående spor. Symbolet  viser at Repeat 1 er aktivert.

### B. Repeat All (Repeterer alle spor på platen)

Trykk en eller gjentatte ganger på [REP/INTRO/RAN] (37) for å repetere pågående spor. Symbolet  viser at Repeat All er aktivert.


### C. Repeat Folder (Repetere alle spor i mappen)

Trykk en eller gjentatte ganger på [REP/INTRO/RAN] (37) for å repetere alle mapper og spor. Symbolet  viser at Repeat Folder er aktivert.

### D. INTRO (spille starten på spor)

For å spare tid når du søker etter en spesiell låt, spilles de 10 første sekundene av låtene av. Trykk en eller gjentatte ganger på [REP/INTRO/RAN] (37) for å starte avspillingen med intro-funksjonen aktivert. "INTRO" vises i displayet når funksjonen er aktivert.

### E. RANDOM (avspeling i tilfeldig rekkefølge)





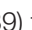


Trykk en eller gjentatte ganger på [REP/INTRO/RAN] (37) for å aktivere tilfeldig rekkefølge på låtene som spilles. "RANDOM" vises i displayet når denne funksjonen er aktiv. Trykk en gang til på [REP/INTRO/RAN] (37) eller på  (41) for å skru av tilfeldig avspilling.

### F. OFF (Ingen repetisjon)

Trykk gjentatte ganger på [REP/INTRO/RAN] (37) for å skru av repetisjon. Det er da ikke noe symbol på displayet.

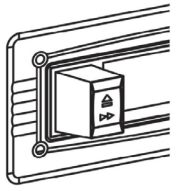
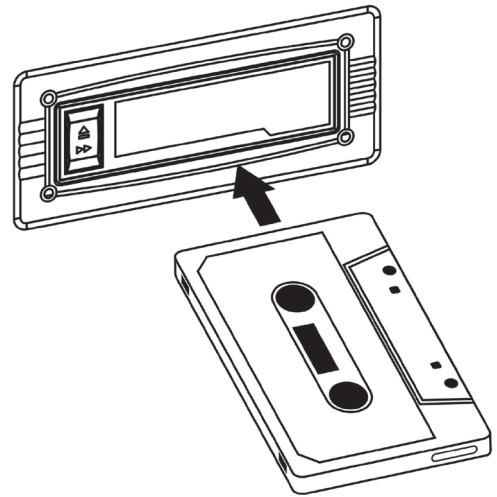
## 7.9 Programmert avspilling via fjernkontrollen

Opp til 32 spor kan programmeres i valgfri rekkefølge.

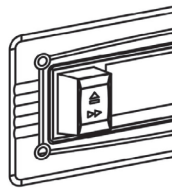
1. Stopp avspillingen ved å trykke på  (41).
2. Trykk en gang på [PROGRAM] (38) på fjernkontrollen. "PROG", programnummer samt spornummer vises i displayet.
3. Bruk   (40) for å velge det sporet som skal programmeres.
4. Bekreft med ett trykk på [PROGRAM] (38). Spornummeret blinker nå i displayet.
5. Repeter trinn 3 og 4 for å lagre flere spor i minnet.
6. Trykk på   (39) for å starte avspillingen i den rekkefølgen du nettopp har programmert.
7. Trykk på  (41) for å stoppe avspillingen og trykk og hold inne  (41) til "PROG" forsvinner fra displayet, for å slette programminnet.

## 8. Kassettspiller

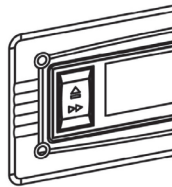
1. Sett [FUNCTION] (15) på **TAPE**.
2. Skyv inn en kassett med kortsiden inn først, (se fig.). Den siden som vender oppover spilles av.
3. Kassettspilleren starter automatisk når kassetten trykkes inn.
4. Kassettspillerens funksjoner styres med knappen [▲] (23):



**PLAY** - Avspilling pågår (knappen er helt ute).



**FAST FORWARD** – Hurtigspoling framover (knappen er delvis trykket inn). Trykk knappen litt inn for å avslutte hurtigspoling og å gå tilbake til avspillingsmodus.



**EJECT** – Trykk denne helt inn for å mate ut kassetten.

### OBS!

Ved hurtigspoling kan det komme u lyd i spilleren. Dette er helt normalt. Ta alltid ut kassetten når den ikke er i bruk.

## 9. Platespiller

1. Ta bort beskyttelsen foran stifen på pickupen og ta av transportlåsen (29) på armen.
2. Sett [FUNCTION] (15) på **PHONO** for å starte platespilleren.
3. Plasser en plate på platetallerkenen. Noen singler har stort senterhull. De trenger singleadapteren (25) for å kunne spilles.
4. Velg riktig hastighet for platen med hastighetsvelgeren (27).
5. Løft opp pickup-armen (26) med spaken og før den inn over platen. Platetallerkenen begynner å snurre.
6. Senk pickupen forsiktig ned på begynnelsen av ønsket spor.
7. Avspillingen av platen starter. Juster volumet til ønsket nivå med volumkontrollene (7) og (8).
8. Løft armen tilbake til pickupholderen når avspillingen er avsluttet. Tallerken slutter å snurre rundt.

### OBS!

Noen plater har sluttindikasjonen utenfor platespillerens "Auto-stop" – område. Dette medfører at noen plater slutter å spille allerede før platens siste spor. Dette kan hindres ved at du setter omkobleren [AUTO STOP] (28) i OFF-posisjon.

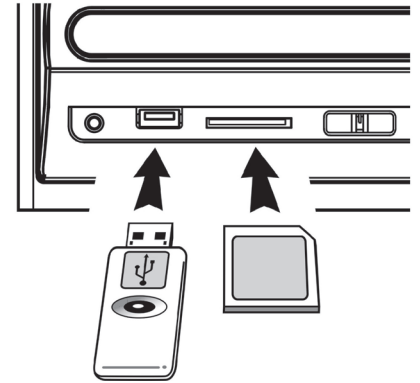
### OBS!

Platen vil fortsette å snurre selv når det siste sporet er ferdig spilt. For å stoppe spillingen: Sett bryteren [AUTO STOP] (28) på ON.

## 10. Spill MP3-filer fra et USB-minne eller minnekort

Apparatet kan spille av mp3-filer fra et usb-minne eller et minnekort av typen SD eller MMC.

1. Sett i et usb-minne/minnekort som vist på bildet. Påse at du plasserer usb-minnet/minnekortet riktig, så ikke kontakten blir skadet. Sett alltid usb-minnet/minnekortet rett inn uten å bøye på det.
2. Sett [FUNCTION] (15) i posisjon CD/**USB/SD** og trykk deretter på [SOURCE] (5) eller (43) for å velge minne, **USB** (usb-minne) eller **CARD** (minnekort). Displayet vil nå indikere valgt kilde, type lydformat og det totale antall spor.
3. Etter en kort stund viser displayet det totale antallet låter på platen.
4. Trykk en eller flere ganger på [FOLDER] (4) eller (42) for å velge den katalogen du vil spille fra. Katalognavnet vises i displayet.
5. Benytt [▶▶|] [|◀◀] (3) eller (40) for å velge ønsket spor i katalogen.
6. Trykk på [▶||■] (2) eller (39) for å starte avspillingen.
7. For å stoppe spillingen midlertidig: trykk igjen på [▶||■] (2) eller (39). Aktuelt spornummer blinker i displayet. Trykk på [▶||■] (2) eller (39) en gang til for å restarte avspillingen.
8. For å stoppe spillingen: Trykk inn [▶||■] (2) eller (41) og hold inne i ca. 2 sekunder.





**OBS!** Framgangsmåten for de øvrige funksjonene er lik følgende punkter ovenfor, som ” 7.4 Spille en CD-plate med MP3-filer” og punktene 7.5, 7.6, 7.7, 7.9 og 7.10.

## 11. Spill inn mp3 fra cd-/plate-/kassettspiller



Man kan kopiere lydfiler fra cd-plater eller vinylplater til mp3-format eller til usb-minne.

### A. Spill inn fra CD-plate



#### I. Spill inn et spor fra CD-platen

1. Start avspillingen av cd-platen som vanlig.
2. Trykk på [REC] (6) eller (36) for å starte innspillingen (mens avspillingen pågår). På displayet vises   blinkende mens innspillingen pågår.
3. Når innspillingen er ferdig avbrytes denne automatisk.
4. Trykk på [REC] (6) eller (36) hvis du ønsker å stoppe innspillingen.

#### II. Spill inn hele CD-platen

1. Legg cd-platen i cd-rommet og vent til den er lastet inn.
2. Trykk deretter på [REC] (6) for å starte innspillingen. På displayet vises   blinkende mens innspillingen pågår.
3. Når innspillingen er ferdig avbrytes denne automatisk.
4. Trykk på [REC] (6) eller (36) hvis du ønsker å stoppe innspillingen.

#### III. Spille inn valgte spor fra CD-platen

1. Legg i cd-platen og vent til den er lastet inn i anlegget.
2. Velg ønskede spor og lagre dem som beskrevet i avsnittet: ”7.10 Programmert avspilling via fjernkontrollen”.
3. Trykk på [REC] (6) eller (36) for å starte innspillingen. I displayet vises   blinkende mens innspillingen pågår.
4. Når innspillingen er ferdig avbrytes denne automatisk.
5. Trykk på [REC] (6) eller (36) hvis du ønsker å stoppe innspillingen.

**OBS!**

- Innspillingstiden er like lang som spilletiden.
- En AUDIO-mappe lages og det er der innspillingen lagres.
- Innspillingsformatet er forhåndsinnstilt som MP3 med Bit Rate 128 kbps og Sampling Rate 44.1 kHz.
- Sangtitlene vil ikke bli lagret ved innspillingen.
- For at en musikkfil skal lagres må hele sporet spilles inn. Hvis innspillingen avbrytes, vil det ikke bli lagret noe.


**IV. Kopiere MP3-filer****Kopiering fra CD-plate.**

Hvis cd-platen kun inneholder mp3-filer, vil filene også kopieres i dette formatet. Framgangsmåten for å kopiere er som i følgende avsnitt: "Spill inn fra CD-plate" (Se under 11.A.)

**Kopiering mellom minnekort og usb-minne**

Trykk på [REC] (6) eller (36) under avspilling fra minnekort eller USB-minne for å starte kopiering fra minnekort til usb-minne eller fra usb-minne til minnekort.

**B. Spill inn fra platespiller**

1. Sett [FUNCTION] (15) på **PHONO**.
2. Trykk på [REC] (6) eller (36).
3. På displayet vises først "USB" og deretter  **REC**. Når symbolene begynner å blinke starter innspillingen.
4. Start avspillingen av det sporet på vinylplaten, som du vil spille inn.
5. Når innspillingen er fullført: Trykk på [REC] (6) eller (36) og hold inne til displayet slutter å blinke.

**Obs!** Dersom du ønsker å starte innspillingen direkte: Trykk på [REC] (6) eller (36) raskt to gang.

**C. Spille inn fra kassettpilleren**

1. Sett [FUNCTION] (15) på **TAPE**.
2. Trykk på [REC] (6) eller (36).
3. På displayet vises først "USB" eller "CARD" og deretter **REC**. Innspillingen starter når symbolene begynner å blinke.
4. Start avspillingen av det sporet på kassetten, som du vil spille inn.
5. Trykk på [REC] (6) eller (36) og hold inne til displayet slutter å blinke når innspillingen er ferdig.

**Obs!** Dersom du ønsker å starte innspillingen direkte: Trykk på [REC] (6) eller (36) raskt to ganger.

**Obs!** Filene lagres på usb-minnet (hvis både minnekort og usb-minne er koblet til).

**D. Manuell innstilling av "Bit Rate" ved innspilling fra cd, platespiller eller kassettpiller**

1. Sett [FUNCTION] (15) på **PHONO** eller **TAPE**.
2. Trykk på [INFO] (35). Den innstilte verdien (128 kbps) for "Bit Rate" vises i displayet.
3. Trykk på    (3) eller (40) for å stille inn ønsket verdi: 32, 64, 96, 128, 192 eller 256 kbps.
4. Trykk på [INFO] (35) for å bekrefte.

**E. Track separation (TS)**

For å dele opp en innspilling fra platespiller eller kassettpiller i flere filer, gjør følgende: Trykk en gang på [TS] (44) for å legge inn en pause og å lage en ny fil der neste spor kommer til å bli spilt inn. Gjør likedan på alle stedene der du ønsker å spille inn flere filer. For hver gang en ny fil lages vil "PHONO" eller "TAPE" blinke en gang på skjermen.

**OBS!** Dette må gjøres under innspillingen.

## 12. Radere filer på USB-minne/SD minnekort

### Slette en fil

1. Sett inn et usb-minne og et minnekort. Sett deretter funksjonsvelgeren på **USB** eller **SD**.
2. Trykk og hold inne [INFO] (35) i ca. 3 sekunder. Displayet viser "DEL - 001".
3. Velg hvilken fil som skal slettes med [▶▶I] [I◀◀] (3) eller (40).
4. Trykk på [REC] (36). "YES" og "NO" blinker. Trykk på [▶▶I] [I◀◀] (3) eller (40) for å velge **YES** (for å slette den valgte filen) eller **NO** for å avbryte operasjonen.
5. Trykk deretter på [REC] (6) eller (36) for å bekrefte valget. Trykk en gang til på [■] (41) for å avbryte slettingen.

### Slette alle filer:

1. Sett inn et usb-minne og et minnekort. Sett deretter funksjonsvelgeren på USB eller SD.
2. Trykk og hold inne [INFO] (35) i ca. 3 sekunder. Displayet viser "DEL - 001".
3. Trykk på [REC] (36). "YES" og "NO" blinker. Trykk på [▶▶I] [I◀◀] (3) eller (40) for å velge **YES** (for å slette den valgte filen) eller **NO** for å avbryte operasjonen.
4. Trykk på [REC] (36) for å bekrefte valget.
5. Trykk en gang til på [■] (41) for å avbryte slettingen.

**OBS!** Alle filer på usb-minnet eller minnekortet kommer til å slettes når du bekrefter med **YES**.

### Ta ut USB-minne/minnekortet

Skru alltid av enheten før du fjerner USB-minnet/minnekortet.

**USB-minne:** Trekk USB-minnet rett ut for hånd.

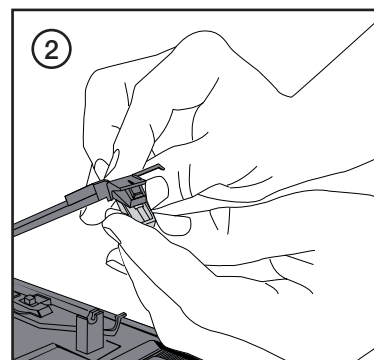
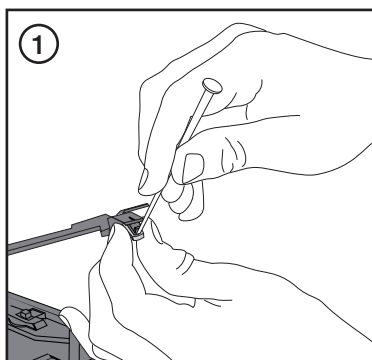
**Minnekort:** Trykk minnekortet lett innover. Kortet fjærer utover og kan deretter trekkes ut for hånd.

## 13. Stell og vedlikehold

- Rengjør støvete plater med en platebørste.
- Lukk alltid dekselet når platespilleren ikke er i bruk. Dette for å forhindre at støv samler seg på platetallerkenen og stiften.
- Platespilleren kan tørkes med en lett fuktet klut.

### Bytte av stift

1. Hold i pickupen med den ene hånden og trykk ned en liten skrutrekker i framkanten mellom pickupen og stiften. Bøy skrutrekkeren forsiktig bakover som vist på bildet så stiften løsner.
2. Sett inn en ny stift ved å trykke den ned i bakkant først. Trykk den deretter fast i framkant.



## 14. Spesifikasjoner

Spenning:	230 V AC, 50 Hz
Hastighet platespiller:	33 eller 45 o/min
Frekvensområde radio:	87,5 – 108 MHz (FM), 540 – 1600 kHz (AM)
Bitrate, MP3:	32 - 256 kbps
Uteffekt:	2 × 2 W
Dimensjon platespiller:	318 × 285 × 178 mm (b × d × h)
Dimensjon høyttalere:	120 × 140 × 195 mm (b × d × h)
Vekt:	4,7 kg

# Levysoitin, jossa on CD-, MP3- ja kasettisoitin sekä radio

Tuotenro 38-4173 Malli TCD-983WEC

Lue käyttöohje kokonaan ennen käyttöä ja säästä se myöhempää tarvetta varten. Emme vastaa tekstissä ja kuvissa mahdollisesti esiintyvistä virheistä. Pidätämme oikeuden teknisten tietojen muutoksiin. Ota yhteyttä asiakaspalveluumme, jos sinulla on kysyttävää tai tarvitset apua teknisissä asioissa (katso osoitetiedot takaa).

## Sisältö

1. Turvallisuus
2. Tuotteen kuvaus
3. Pakkauksen sisältö
4. Painikkeet ja toiminnot
5. Kokoaminen ja asentaminen
6. Radio
7. CD-soitin
8. Kasettisoitin
9. Levysoitin
10. MP3-tiedostojen toistaminen muistikortilta tai USB-muistitikulta
11. MP3-tiedostojen tallentaminen CD-, levy- tai kasettisoittimelta
12. Tiedostojen poistaminen USB-muistitikulta/SD-muistikortilta
13. Kunnossapito
14. Tekniset tiedot

# 1. Turvallisuus

- Tuotteen saa korjata vain koulutettu huoltohenkilöstö.
- Tuotetta ei saa purkaa eikä siihen saa tehdä muutoksia.
- Älä sijoita tuotetta paikkaan, jossa se saattaa pudota veteen tai muuhun nesteeseen. Älä aseta tuotteen päälle nestettä sisältäviä esineitä, esimerkiksi kukkamaljakkoa tai juomalasia.
- Sammute laite kokonaan yöksi tai lähtiessäsi matkoille (älä jätä laitetta valmiustilaan).
- Älä peitä laitetta. Laitteen tuuletusaukkojen ja ympäröivien pintojen väliin on jätettävä vähintään 15 cm tyhjää tilaa, jotta ilmanvaihto on riittävää eikä laite kuumene.
- Älä sijoita laitetta kosteisiin tai pölyisiin tiloihin tai paikkaan, jossa esiintyy voimakasta värinää.
- Pitkään jatkuva altistuminen kuulokkeiden suurille äänenvoimakkuuksille voi aiheuttaa kuulovaurioita.



## **Varoitus!** Älä avaa kotelo!

Tuotteen kotelon sisällä on suojaamattomia osia, joissa on vaarallinen jännite. Näiden osien koskettaminen voi aiheuttaa tulipalovaaran tai sähköiskuja.



## **LUOKAN 1 LASERLAITE**

**Varoitus!** Älä avaa kotelo! Kotelon sisällä oleva näkymätön lasersäde voi aiheuttaa silmävaurioita. Älä katso sädettä suoraan äläkä optisen välineen läpi.

# 2. Tuotteen kuvaus

- Levysoitin, jossa on CD-/MP3-soitin, kasettisoitin ja radio sekä liitännät USB-muistitikkuun ja SD-muistikorttia varten.
- Sisäinen vahvistin ja ulkoiset kaiuttimet.
- Tallennus USB-muistitikulle tai SD-muistikortille levysoittimelta, kasettisoittimelta tai CD-/MP3-soittimelta.
- Nopeudenvälitys: 33/45 kierr./min.
- Automaattinen pysäytys vinyyllilevyn toiston loputtua.
- Sisäinen RIAA-vahvistin ja linjalähtö.
- Pakkaukseen sisältyy kaukosäädin.
- Stereokuulokeliitäntä.

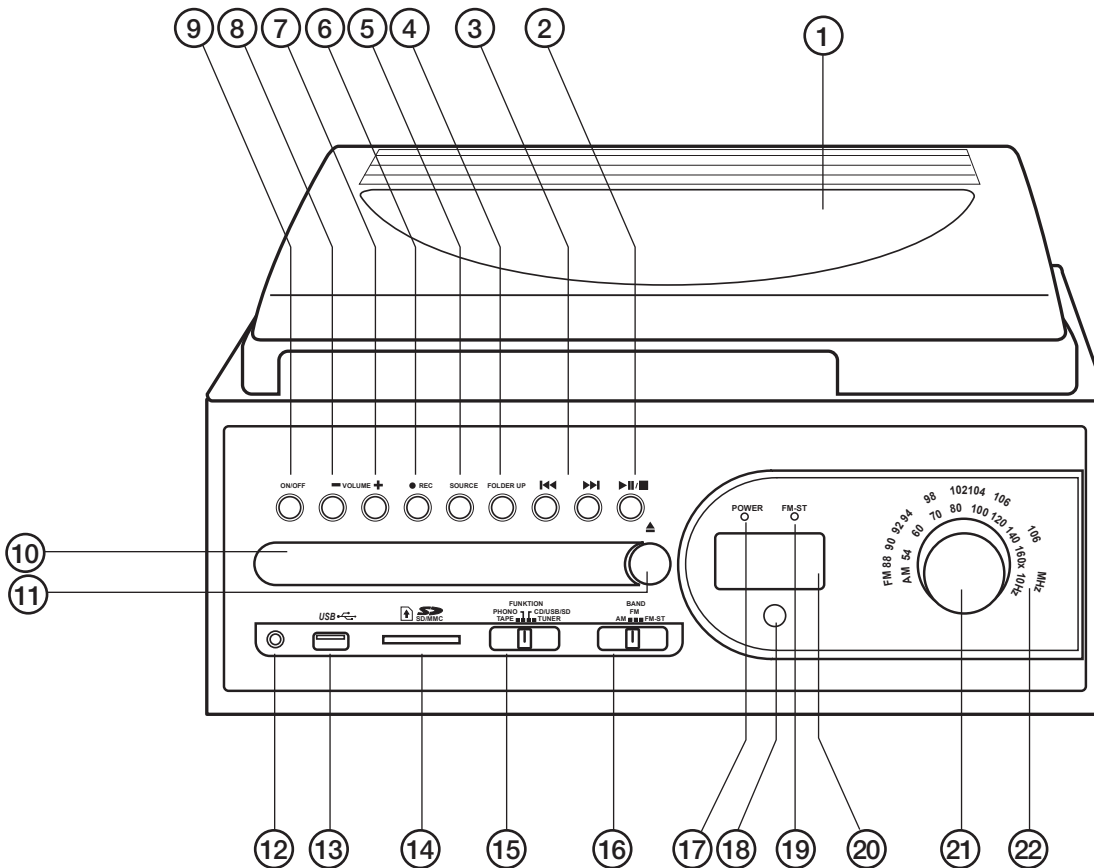
# 3. Pakkauksen sisältö

- Levysoitin
- 2 kaiutinta
- Kaukosäädin
- Käyttöohje



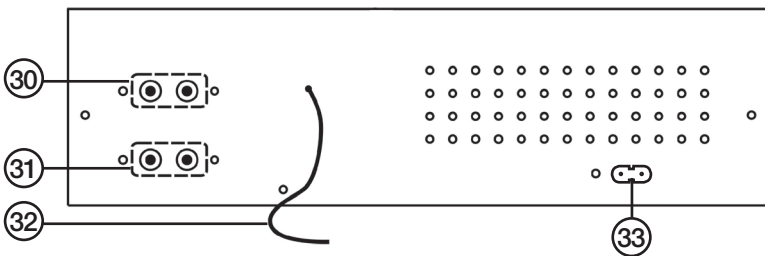
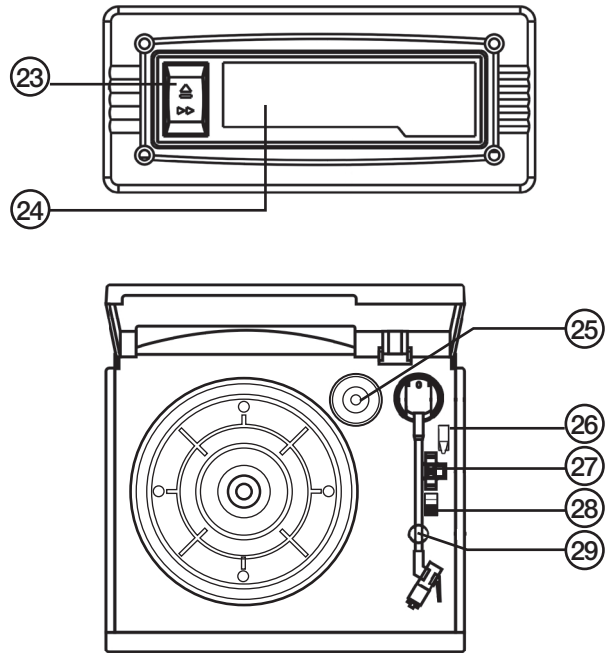
# 4. Painikkeet ja toiminnot

## Levysoitin



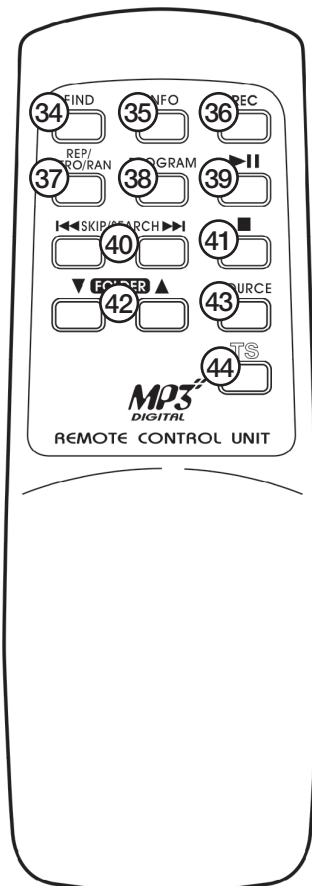
1. **Kansi.**
2. **[▶||■]** – Toiston aloittaminen / keskeytys / toiston lopettaminen.
3. **[▶▶|] [I◀◀◀]** – Edellinen/seuraava kappale.
4. **[FOLDER UP]** – Siirtyminen seuraavaan kansioon (MP3).
5. **[SOURCE]** – Lähteen valinta: USB-muistitikku, SD-muistikortti tai CD.
6. **[● REC]** – Tallennus.
7. **[VOLUME +]** – Äänenvoimakkuuden lisääminen.
8. **[VOLUME -]** – Äänenvoimakkuuden vähentäminen.
9. **[ON/OFF]** – Virtakytkin.
10. **CD-kelkka.**
11. **[▲]** – CD-kelkan avaaminen/sulkeminen.
12. **Kuulokeliitäntä.**
13. **USB-liitäntä.**
14. **SD-/MMC-muistikorttiliitäntä.**
15. **[FUNCTION]** – Tilanvalitsin: TAPE (kasetti) – PHONO (levysoitin) – CD/USB/SD – TUNER (radio).
16. **[AM/FM]** – Radion tilanvalitsin: AM – FM – FM Stereo.
17. **”POWER”** – Virran merkkivalo; palaa, kun laitteeseen on kytketty virta.
18. **Kaukosäätimen infrapunatunnistin**
19. **”FM ST”** – Merkkivalo; palaa, kun radio vastaanottaa FM-stereosignaalia.
20. **Nestekidenäyttö.**
21. **TUNING** – Taajuussäädin.
22. **Taajuusasteikko.**

23. **[▲]** – Kelaus eteenpäin / kasetin poisto.
24. **Kasettipesän kansi.**
25. **Levyautasen single-sovitin.**
26. **Äänivarren nostin** – nostaa/laskee äänivarren.
27. **33/45 RPM** – levysoittimen nopeudenvälitsin.
28. **AUTO STOP ON/OFF** – Levysoittimen AutoStop-toiminnon säädin.
29. **Äänivarren tuki** (sis. kuljetuspidikkeen).
30. **Line Out L/R** – Linjalähtö (vasen, oikea).
31. **SPEAKER L/R** – Kaiutinliitännät (vasen, oikea).
32. **FM-antenni.**
33. **Virtajohdon liitännät.**



## Kaukosäädin

34. **[FIND]** – Tiedostonimen haku (MP3-toistossa).
35. **[INFO]** – Tallennuslaadun valinta (Encoding Bitrate) ja ID3-merkinnän näyttö.
36. **[REC]** – Tallennuksen tai kopiointin aloittaminen.
37. **[REP/INTRO/RAN]** – Uudelleentoisto / intro (soittaa kunkin raidan alusta 10 sekuntia) / sekoitus (CD/MP3-toistossa).
38. **[PROGRAM]** – CD-levyn tai MP3-tiedostojen (muistikortilta tai USB-muistitikulta) ohjelmoitu toisto.
39. **[▶||]** – Toiston aloittaminen/keskeyttäminen.
40. **[I◀] – [▶I]** – Edellinen/seuraava raita.
41. **[■]** – CD/MP3-toiston lopettaminen / tallennetun ohjelmoinnin poistaminen.
42. **[FOLDER ▲] [FOLDER ▼]** – Hakemiston vaihtaminen (MP3-toistossa).
43. **[SOURCE]** – Lähteen valinta: CD, USB-muistitikku tai SD-muistikortti.
44. **[TS]** (Track Separation) – Tallennuksen jakaminen useiksi tiedostoiksi.

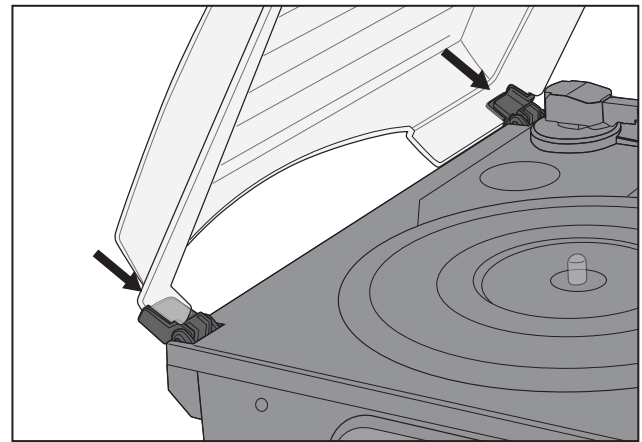
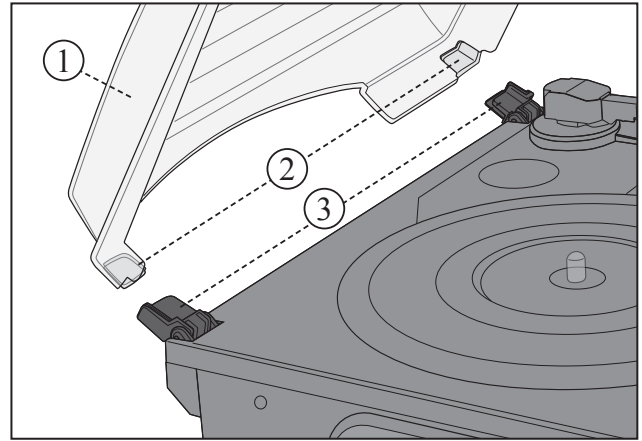
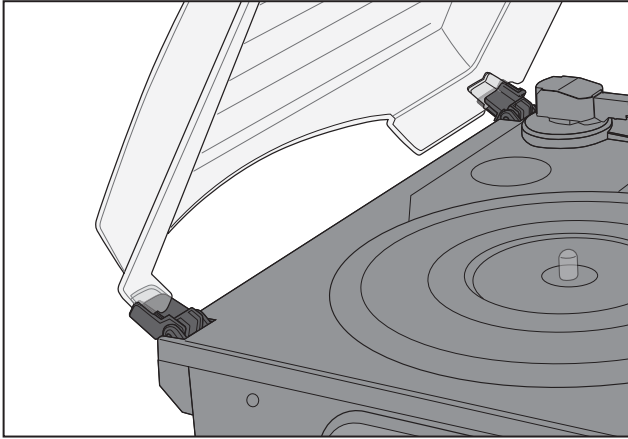


## 5. Kokoaminen ja asentaminen

### 5.1 Kannen kokoaminen

**Huom.** Numerot (1–3) koskevat vain tämän kappaleen kuvia.

1. Varmista, että saranat (3) on käännetty taaksepäin.
2. Sovita kannen (1) pidike (2) saranoihin (3).
3. Paina ne varoen kiinni siten, että kansi on kunnolla kiinni saranoissa.



### 5.2 Kaiuttimien liittäminen

Kytke oikea kaiutin laitteen takana olevaan oikean (R) kaiuttimen liitäntään ja vasen kaiutin vasemman (L) kaiuttimen liitäntään (31).

**Huom.**

Liitä kaiuttimet laitteeseen ennen virran kytkemistä.

### 5.3 Liittäminen verkkovirtaan

1. Kiinnitä virtajohdon liitin levysoittimen liitäntään (33) ja työnnä pistoke pistorasiaan. Tarkista, että laitteen takapaneelin arvokilvessä oleva jännitemerkintä (V) vastaa paikallisen sähköverkon jännitettä (230 V AC, 50 Hz). Jos näin ei ole, kysy neuvoa jälleenmyyjältä tai huoltoliikkeestä.
2. Virran katkaiseminen kokonaan: Irrota pistoke pistorasiasta. Suosittelemme pistokkeen irrottamista pistorasiasta myös voimakkaalla ukkosella, jotta laite ei vaurioidu.

### Virransäästötila

Soitin siirtyy automaattisesti virransäästötilaan **15 minuuttia** LP-levyn, CD-levyn, USB-muistin, SD-kortin tai kasetin viimeisen kappaleen päättymisen jälkeen.

Soitin siirtyy automaattisesti virransäästötilaan myös **15 minuuttia** sen jälkeen, kun se on asetettu pausutilaan (CD-levy, USB-muisti, SD-kortti).

**Käynnistä soitin virransäästötilassa painamalla virtakytkintä [ON/OFF] kaksi kertaa.**

### 5.4 Paristojen asettaminen

1. Avaa kaukosäätimen paristolokeron kansi.
2. Aseta paristot (2 kpl AAA/R03, 1,5 V) paristokotelon merkintöjen mukaisesti.
3. Paina paristolokeron kansi paikalleen.

### 5.5 Laitteen sijoittaminen

Aseta levysoitin kovalle, tasaiselle alustalle. Huolehdi, ettei levysoitin altistu tärinälle tai iskuille.

## 6. Radio

### FM ja AM (keskiaallot)

1. Aseta [FUNCTION]-valitsin (15) TUNER-asentoon.
2. Aseta tilanvalitsin (16) asentoon AM, FM (mono) tai FM-ST (stereo).
3. Valitse haluamasi taajuus taajuussäätimellä (21).
4. Sijoita antenni (32) paikkaan, joka on vastaanoton kannalta mahdollisimman hyvä.
5. Säädä äänenvoimakkuus haluamallesi tasolle äänenvoimakkuuspainikkeilla [VOLUME +] (7) ja [VOLUME -] (8).

### Vihjeitä vastaanoton parantamiseksi

**AM:** Laitteessa on sisäinen AM-antenni. Vastaanottoa voidaan säätää kääntämällä tai siirtämällä levysoitinta.

**FM:** Paras vastaanotto saavutetaan, kun antenni avataan täyteen pituuteensa ja vedetään suoraksi.

## 7. CD-soitin

### 7.1 CD-levyn toistaminen

1. Aseta [FUNCTION]-valitsin (15) CD/USB/SD-asentoon.
2. Avaa CD-kelkka painamalla [OPEN/CLOSE]-painiketta (11).
3. Aseta CD-levy (audiolevy tai CD-R-/CD-RW-levy) CD-kelkkaan etikettipuoli ylöspäin.
4. Sulje CD-kelkka painamalla [OPEN/CLOSE]-painiketta (11).
5. Kun laite on lukenut levyn, näytössä näkyy levyn raitojen kokonaismäärä.
6. Aloita toisto painamalla [▶||■]-painiketta (2 tai 39). Levyn ensimmäinen raita alkaa soida.
7. Voit keskeyttää toiston hetkeksi painamalla [▶||■]-painiketta (2 tai 39) uudelleen. Toistettavan raidan numero alkaa vilkkua näytössä. Voit jatkaa toistoa painamalla jälleen [▶||■]-painiketta (2 tai 39).
8. Toiston lopettaminen: Paina [▶||■]-painiketta (2 tai 41) kahden sekunnin ajan.

### 7.2 Siirtyminen tiettyyn raitaan

Painamalla [▶▶I]- tai [I◀◀]-painiketta (3 tai 40) voit valita toisen raidan joko toiston aikana tai toiston ollessa keskeytetty.

1. Siirry seuraavaan raitaan painamalla lyhyesti [▶▶I]- tai [I◀◀]-painiketta (3 tai 40), tai paina painiketta useita kertoja, kunnes näyttöön tulee haluamasi raidan numero.
2. Voit palata parhaillaan toistettavana olevan raidan alkuun painamalla lyhyesti [▶▶I]- tai [I◀◀]-painiketta (3 tai 40). Voit siirtyä edeltäviin raitoihin painamalla painiketta useita kertoja.

### 7.3 Siirtyminen raidan tiettyyn kohtaan

1. Voit siirtyä toistettavan raidan tiettyyn kohtaan pitämällä [▶▶I]- tai [I◀◀]-painiketta (3 tai 40) painettuna. Laite alkaa toistaa raitaa nopeasti ja alhaisella äänenvoimakkuudella.
2. Vapauta painike, kun kuulet haluamasi kohdan. Laite jatkaa toistoa normaalisti.

### 7.4 MP3-tiedostojen toistaminen CD-levyltä

1. Aseta [FUNCTION]-valitsin (15) CD/USB/SD-asentoon.
2. Avaa CD-kelkka painamalla [OPEN/CLOSE]-painiketta (11).
3. Aseta CD-levy (audiolevy tai MP3-tiedostoja sisältävä CD-R-/CD-RW-levy) CD-kelkkaan etikettipuoli ylöspäin.
4. Sulje CD-kelkka painamalla [OPEN/CLOSE]-painiketta (11).
5. Hetken kuluttua näytössä näkyy levyllä olevien raitojen kokonaismäärä.
6. Valitse haluamasi hakemisto painamalla [FOLDER]-painiketta (4 tai 42) kerran tai useita kertoja. Näyttöön tulee hakemiston numero.
7. Valitse hakemistosta haluamasi raita painamalla [▶▶I]- tai [I◀◀]-painiketta (3 tai 40).
8. Aloita toisto painamalla [▶||■]-painiketta (2 tai 39).
9. Toiston keskeyttäminen tilapäisesti: Paina [▶||■]-painiketta (2 tai 39) uudelleen. Toistettavan raidan numero alkaa vilkkua näytössä. Voit jatkaa toistoa painamalla jälleen [▶||■]-painiketta (2 tai 39).
10. Toiston lopettaminen: Paina [▶||■]-painiketta (2 tai 39) kahden sekunnin ajan.

## Huomaa:

- MP3-tiedostojen äänenlaatu voi vaihdella levyn tai tallennuksen laadun mukaan.
- MP3-tiedostoja sisältävän levyn lukeminen kestää yleensä kauemmin kuin tavallisen audiolevyn lukeminen.

## 7.5 Raidan tietojen näyttäminen (kaukosäätimellä)

1. MP3-tiedoston toiston aikana voit näyttää tai piilottaa toistettavan raidan ID3-tiedot painamalla kaukosäätimen [INFO]-painiketta (35).
2. Jos kyseistä raitaa koskevia tietoja ei ole, näytössä näkyy teksti "NONE" (ei tietoja) tai "UNKNOWN" (tuntematon).

## 7.6 Kappaleen etsiminen nimen perusteella (kaukosäätimellä)

Voit etsiä kappaleita tiedostonimen/nimen perusteella.

1. Kun toisto ei ole käynnissä, paina kaukosäätimen [FIND]-painiketta (34) kerran.
2. Selaa aakkosjärjestyksessä olevia kappaleiden nimiä [▶▶I]- tai [I◀◀]-painikkeella (3 tai 40).
3. Valitse kappale ja aloita sen toisto painamalla [▶II/■]-painiketta (2) kaksi kertaa.

## 7.7 Hakemistojen etsiminen (kaukosäätimellä)

Voit etsiä hakemistoja nimen perusteella.


1. Kun toisto ei ole käynnissä, paina kaukosäätimen [FIND]-painiketta (34) kaksi kertaa.
2. Selaa aakkosjärjestyksessä olevia hakemistojen nimiä [▶▶I]- tai [I◀◀]-painikkeella (3 tai 40).
3. Aloita valitussa hakemistossa olevien kappaleiden toisto painamalla [▶II/■]-painiketta (2 tai 39).

**Huomaa:** Näyttö tunnistaa vain englannin kielessä käytettyjä merkkejä.

## 7.8 Lisätoiminnot

### Uudelleentoisto (CD)

Repeat 1 → Repeat All → Intro → Random → Off



A. Repeat 1 (parhaillaan toistettava raita toistetaan uudelleen)

Voit toistaa raidan uudelleen painamalla [REP/INTRO/RAN]-painiketta (37) kerran tai useita kertoja. -merkki osoittaa, että Repeat 1 on käytössä.

### B. Repeat All (kaikki raidat toistetaan uudelleen)

Voit toistaa koko levyn uudelleen painamalla [REP/INTRO/RAN]-painiketta (37) kerran tai useita kertoja.

-merkki osoittaa, että Repeat All on käytössä.

### C. INTRO (raidan alku toistetaan)

Voit nopeuttaa tietyn raidan etsimistä toistamalla kunkin peräkkäisen raidan alusta 10 sekuntia. Ota intro-toiminto käyttöön ja käynnistä toisto painamalla [REP/INTRO/RAN]-painiketta (37) kerran tai useita kertoja. Näytössä näkyy teksti "INTRO", kun toiminto on käytössä.

### D. RANDOM (satunnaistoisto)

Voit ottaa satunnaistoiston käyttöön painamalla [REP/INTRO/RAN]-painiketta (37) kerran tai useita kertoja. Näytössä näkyy teksti "RANDOM", kun toiminto on käytössä. Voit lopettaa satunnaistoiston painamalla [REP/INTRO/RAN]-painiketta uudelleen (37) tai [■]-painikkeella (41).

### E. OFF (ei uudelleentoistoa)

Voit poistaa uudelleentoiston käytöstä painamalla [REP/INTRO/RAN]-painiketta (37) useita kertoja. Näytössä ei näy tällöin merkkejä.

## Uudelleentoisto (MP3)

Repeat 1 → Repeat All → Repeat Folder → Intro → Random → Off


### A. Repeat 1 (parhaillaan toistettava raita toistetaan uudelleen)

Voit toistaa parhaillaan soivan raidan uudelleen painamalla [REP/INTRO/RAN]-painiketta (37) kerran tai useita kertoja.

-merkki osoittaa, että Repeat 1 on käytössä.


### B. Repeat All (kaikki levyn raidat toistetaan uudelleen)

Voit toistaa kaikki levyllä olevat raidat uudelleen painamalla [REP/INTRO/RAN]-painiketta (37) kerran tai useita kertoja.

ALL-merkki osoittaa, että Repeat All on käytössä.

### C. Repeat Folder (kaikki kansion raidat toistetaan uudelleen)

Voit toistaa kaikki kansiot (ja raidat) uudelleen painamalla [REP/INTRO/RAN]-painiketta (37) kerran tai useita kertoja.

-merkki osoittaa, että Repeat Folder on käytössä.

### D. INTRO (raidan alku toistetaan)

Voit nopeuttaa tietyn raidan etsimistä toistamalla kunkin peräkkäisen raidan alusta 10 sekuntia. Ota intro-toiminto käyttöön ja käynnistä toisto painamalla [REP/INTRO/RAN]-painiketta (37) kerran tai useita kertoja. Näytössä näkyy teksti "INTRO", kun toiminto on käytössä.

### E. RANDOM (satunnaistoisto)

Voit ottaa satunnaistoiston käyttöön painamalla [REP/INTRO/RAN]-painiketta (37) kerran tai useita kertoja.

Näytössä näkyy teksti "RANDOM", kun toiminto on käytössä. Voit lopettaa satunnaistoiston painamalla [REP/INTRO/RAN]-painiketta (37) uudelleen tai painamalla [■]-painiketta (41).

### F. OFF (ei uudelleentoistoa)

Voit poistaa uudelleentoiston käytöstä painamalla [REP/INTRO/RAN]-painiketta (37) useita kertoja.

Näytössä ei näy merkkejä.

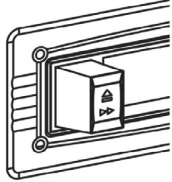
## 7.9 Toiston ohjelmoiminen (kaukosäätimellä)

Laitte voidaan ohjelmoida toistamaan enintään 32 raitaa valinnaisessa järjestyksessä.

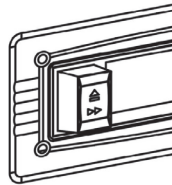
1. Lopeta toisto painamalla [■]-painiketta (41).
2. Paina kaukosäätimen [PROGRAM]-painiketta (38) kerran. Näytössä näkyy teksti "PROG", ohjelman numero ja raidan numero.
3. Valitse ohjelmitava raita painamalla [I◀]- tai [▶I] [9]-painiketta (40).
4. Vahvista valinta painamalla kaukosäätimen [PROGRAM]-painiketta (38) kerran. Raidan numero alkaa vilkkua näytössä.
5. Voit ohjelmoida useampia raitoja toistamalla vaiheet 3 ja 4.
6. Aloita raitojen toisto ohjelmoidussa järjestyksessä painamalla [▶II]-painiketta (39).
7. Lopeta toisto painamalla [■]-painiketta (41). Voit tyhjentää ohjelmointimuistin pitämällä [■]-painiketta (41) painettuna, kunnes "PROG"-teksti poistuu näytöstä.

## 8. Kasettisoitin

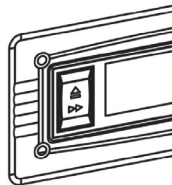
1. Aseta [FUNCTION]-valitsin (15) **TAPE**-asentoon.
2. Työnnä kasetti kasettipesään lyhyt pääty edellä. Laite toistaa kasetin ylöspäin olevan puolen.
3. Kasettisoitin käynnistyy automaattisesti, kun kasetti työnnetään sisään.
4. Kasettisoittimen toimintoja käytetään painikkeella [▲] (23):



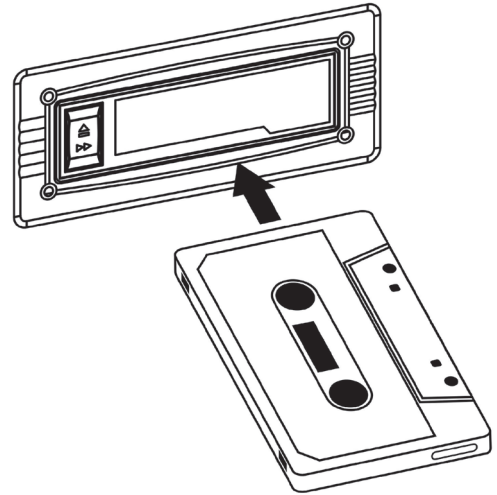
**PLAY** – toisto on käynnissä (painike on kokonaan ulkona).



**FAST FORWARD** – kelaus eteenpäin (painike on osittain sisällä). Lopeta kelaus ja jatka toistoa painamalla painiketta kevyesti.



**EJECT** – kasetin poistaminen pesästä (paina painike kokonaan sisään).



### Huom.

Kasetista saattaa kuulua poikkeavaa ääntä eteenpäinkelauksen (FAST FORWARD) aikana. Poista kasetti kasettipesästä aina käytön jälkeen.

## 9. Levysoitin

1. Irrota neulansuojus äänipäästä ja avaa äänivarren kuljetuspide (29).
2. Ota levysoitin käyttöön asettamalla [FUNCTION]-valitsin (15) **PHONO**-asentoon.
3. Aseta levy levylautaselle. Joissakin 45 kierroksen levyissä on suuri keskireikä, joten niiden toistamiseen tarvitaan single-sovitin (25).
4. Valitse nopeudenvaihtimella (27) levyille sopiva soitt nopeus.
5. Nosta äänivarsi äänivarren nostimella (26) ja siirrä äänivarsi levyn yläpuolelle. Levylautanen alkaa pyöriä.
6. Laske äänivarsi varovasti äänivarren nostimella (26) haluamasi raidan kohdalle.
7. Levy alkaa soida. Säädä äänivoimakkuus haluamallesi tasolle [VOLUME +] (7)- ja [VOLUME -] (8) -painikkeilla.
8. Kun levyn toisto on loppunut, siirrä äänivarsi takaisin äänipään pitimeen. Levylautanen lakkaa pyörimästä.

### Huom.

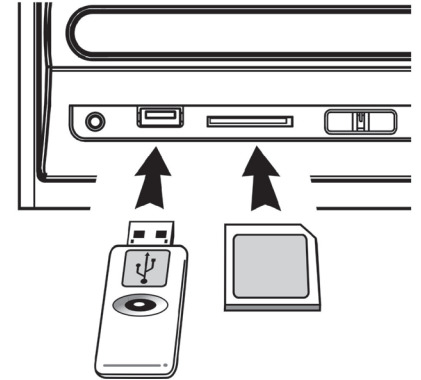
Joidenkin levyjen lopetusmerkintä on levysoittimen AutoStop-alueen ulkopuolella. Tämän vuoksi näiden levyjen toisto loppuu automaattisesti ennen levyn viimeistä raitaa. Ongelman voi ratkaista asettamalla [AUTO STOP] -valitsimen (28) **OFF**-asentoon.

**Huom.** Levy jatkaa pyörimistä viimeisen raidan loputtua. Voit lopettaa levyn pyörimisen asettamalla [AUTO STOP] -valitsimen (28) **ON**-asentoon.

# 10. MP3-tiedostojen toistaminen muistikortilta tai USB-muistitikulta

Laite voi toistaa MP3-tiedostoja USB-muistitikulta tai SD- ja MMC-tyyppisiltä muistikorteilta.

1. Aseta USB-muistitikku/muistikortti paikalleen kuvan mukaisesti. Käännä USB-muistitikku/muistikortti oikein päin, jotta liitin ei vaurioidu. Työnnä USB-muistitikku/muistikortti aina suoraan liitäntään. Älä taivuta tallennusvälinettä.
2. Aseta [FUNCTION]-valitsin (15) **CD/USB/SD**-asentoon ja paina [SOURCE]-valitsinta (5 tai 43). Valitse vaihtoehto **USB** (USB-muistitikku) tai **CARD** (muistikortti). Näytössä näkyy valittu lähde, äänitiedoston tyyppi ja raitojen kokonaismäärä.
3. Hetken kuluttua näytössä näkyy tallennusvälineellä olevien raitojen kokonaismäärä.
4. Valitse haluamasi hakemisto painamalla [FOLDER]-painiketta (4 tai 42) kerran tai useita kertoja. Näyttöön tulee hakemiston numero.
5. Valitse hakemistosta haluamasi raita painamalla [▶▶I]- tai [I◀◀]-painiketta (3 tai 40).
6. Aloita toisto painamalla [▶II/■]-painiketta (2 tai 39).
7. Toiston keskeyttäminen: Paina [▶II/■]-painiketta (2 tai 39) uudelleen. Toistettavan raidan numero alkaa vilkkua näytössä. Voit jatkaa toistoa painamalla jälleen [▶II/■]-painiketta (2 tai 39).
8. Toiston lopettaminen: Paina [▶II/■]-painiketta (2 tai 41) kahden sekunnin ajan.




**Huom.** Lisätoimintoja käytetään samalla tavoin kuin toistettaessa MP3-tiedostoja CD-levyltä. Katso osion 7.4 MP3-tiedostojen toistaminen CD-levyltä kohdissa 7.5, 7.6, 7.7, 7.9 ja 7.10 annetut ohjeet.

# 11. MP3-tiedostojen tallentaminen CD-, levy- tai kasettisoittimelta


Laitteella voidaan tallentaa MP3-äänitiedostoja muistikortille tai USB-muistitikulle CD-levyltä, vinylilevyltä tai kasetilta.

## A. Tallentaminen CD-levyltä


### I. Raidan tallentaminen CD-levyltä

1. Aloita CD-levyn toisto normaaliin tapaan.
2. Aloita tallennus painamalla [REC]-painiketta (6 tai 36), kun raidan toisto on käynnissä.  **REC** -merkit vilkkuvat näytössä, kun tallennus on käynnissä.
3. Tallennus loppuu automaattisesti, kun se on valmis.
4. Paina [REC]-painiketta (6 tai 36), jos haluat lopettaa tallennuksen aiemmin.

### II. Koko CD-levyn tallentaminen

1. Aseta CD-levy kelkkaan, sulje kelkka ja odota, kunnes laite on lukenut levyn.
2. Aloita tallennus painamalla [REC]-painiketta (6 tai 36).  **REC**-merkit vilkkuvat näytössä, kun tallennus on käynnissä.
3. Tallennus loppuu automaattisesti, kun se on valmis.
4. Paina [REC]-painiketta (6 tai 36), jos haluat lopettaa tallennuksen aiemmin.

### III. Valittujen raitojen tallentaminen CD-levyltä

1. Aseta CD-levy sisään ja odota, kunnes laite on lukenut levyn.
2. Valitse tallennettavat raidat ja ohjelmoi ne. Katso ohjeet kohdasta 7.10 Toiston ohjelmoiminen (kaukosäätimellä).
3. Aloita tallennus painamalla [REC]-painiketta (6 tai 36).  **REC**-merkit vilkkuvat näytössä, kun tallennus on käynnissä.
4. Tallennus loppuu automaattisesti, kun se on valmis.
5. Paina [REC]-painiketta (6 tai 36), jos haluat lopettaa tallennuksen aiemmin.



#### Huom.

- Tallennus kestää yhtä kauan kuin levyn soittoaika.
- Laite luo AUDIO-kansion, jonne tiedostot tallentuvat.
- Tallennusmuoto on oletusasetuksena MP3, jonka Bit Rate on 128 kbps ja Sampling Rate 44,1 KHz.
- Kappaleiden nimet eivät tallennu.
- Raita on tallennettava kokonaan, jotta siitä voidaan muodostaa musiikkitiedosto. Jos tallennus keskeytetään ennen aikaisesti, tiedosto ei tallennu muistikortille tai USB-muistitikulle.

### IV. MP3-tiedostojen kopioiminen


#### Kopioiminen CD-levyltä

Jos CD-levy sisältää pelkästään MP3-tiedostoja, tiedostot kopioidaan kyseisessä muodossa. Tiedostot kopioidaan kohdassa "Tallentaminen CD-levyltä" annettujen ohjeiden mukaan (ks. kohta 11. 1).

#### Kopiointi muistikortin ja USB-muistitikun välillä

Aloita kopiointi painamalla [REC]-painiketta (6 tai 36), kun raitoja toistetaan muistikortilta tai USB-muistitikulta. Voit kopioida muistikortilta USB-muistitikulle tai toisinpäin.

#### B. Tallentaminen levysoittimelta

1. Aseta [FUNCTION]-valitsin (15) PHONO-asentoon.
2. Paina [REC]-painiketta (6 tai 36).
3. Näyttöön tulee ensin teksti "USB" ja sen jälkeen merkit  **REC**. Merkit alkavat vilkkua, kun tallennus alkaa.
4. Aloita vinyylilevyn toisto siitä raidasta, jonka haluat tallentaa.
5. Kun tallennus on valmis: paina [REC]-painiketta (6 tai 36), kunnes näyttö lakkaa vilkkumasta.

**Huom.** Jos haluat aloittaa tallennuksen suoraan: paina [REC]-painiketta (6 tai 36) nopeasti kaksi kertaa.

#### C. Tallentaminen kasettisoittimelta

1. Aseta [FUNCTION]-valitsin (15) TAPE-asentoon.
2. Paina [REC] painiketta (6 tai 36).
3. Näyttöön tulee ensin teksti "USB" tai "CARD" ja sen jälkeen merkki **REC**. Merkki alkaa vilkkua, kun tallennus alkaa.
4. Aloita kasetin toisto siitä raidasta, jonka haluat tallentaa.
5. Kun tallennus on valmis, paina [REC]-painiketta (6 tai 36), kunnes näyttö lakkaa vilkkumasta.

**Huom.** Jos haluat aloittaa tallennuksen suoraan: paina [REC]-painiketta (6 tai 36) nopeasti kaksi kertaa.

**Huom.** Tiedostot tallentuvat ensisijaisesti USB-muistitikulle, jos laitteeseen on liitetty sekä muistikortti että USB-muistitikku.

#### D. Bit Rate -asetuksen valinta tallennettaessa CD-levyltä, vinyylilevyltä tai kasetilta

1. Aseta [FUNCTION]-valitsin (15) **PHONO**- tai **TAPE**-asentoon.
2. Paina [INFO]-painiketta (35). Näyttöön tulee Bit Rate -asetuksen oletusarvo (128 kbps).
3. Voit asettaa haluamasi arvon painamalla **[▶▶I]**- tai **[I◀◀]**-painiketta (3 tai 40): 32 – 64 – 96 – 128 – 192 – 256 kbps.
4. Vahvista valinta painamalla [INFO]-painiketta (35).

#### E. Raitojen erottelu (Track separation, TS)

Vinyylilevyn tai kasetin tallennus voidaan jakaa useisiin tiedostoihin seuraavasti. Paina [TS]-painiketta (44) kerran, kun haluat luoda tallennukseen tauon ja muodostaa uuden tiedoston, kun seuraavan raidan toisto alkaa. Toista tämä toimenpide jokaisessa kohdassa, jossa haluat jakaa tallennuksen erillisiin tiedostoihin. "PHONO"- tai "TAPE"-teksti välähtää kerran näytössä aina, kun laite luo uuden tiedoston.

**Huom.** Raitojen erottelu on tehtävä tallennuksen aikana.

## 12. Tiedostojen poistaminen USB-muistitikulta/ SD-muistikortilta

### Tiedoston poistaminen

1. Aseta USB-muistitikku/muistikortti paikalleen. Aseta tilanvalitsin USB- tai SD-asentoon.
2. Paina [INFO]-painiketta (35) noin kolmen sekunnin ajan. Näyttöön tulee teksti "DEL -001".
3. Valitse poistettava tiedosto [▶▶I]- tai [I◀◀]-painikkeella (3 tai 40).
4. Paina [REC]-painiketta (36). Näytössä vilkkuvat vaihtoehdot YES (kyllä) ja NO (ei). Valitse **YES** painamalla [▶▶I]- tai [I◀◀]-painiketta (3 tai 40), jos haluat poistaa valitun tiedoston, tai valitse **NO**, jos haluat peruuttaa poiston.
5. Vahvista valinta painamalla [REC]-painiketta (6 tai 36) uudelleen. Paina [■]-painiketta (41) uudelleen, jos haluat peruuttaa poiston.

### Kaikkien tiedostojen poistaminen

1. Aseta USB-muistitikku/muistikortti paikalleen. Aseta tilanvalitsin USB- tai SD-asentoon.
2. Paina [INFO]-painiketta (35) noin kolmen sekunnin ajan. Näyttöön tulee teksti "DEL -001".
3. Paina [REC]-painiketta (36). Näytössä vilkkuvat vaihtoehdot YES (kyllä) ja NO (ei). Valitse YES painamalla [▶▶I]- tai [I◀◀]-painiketta (3 tai 40), jos haluat poistaa kaikki tiedostot, tai valitse **NO**, jos haluat peruuttaa poiston.
4. Vahvista valinta painamalla [REC]-painiketta (36) uudelleen.
5. Paina [■]-painiketta (41) uudelleen, jos haluat peruuttaa poiston.

**Huom.** Kaikki USB-muistitikulla tai muistikortilla olevat tiedostot poistetaan, kun vahvistat **YES**-vaihtoehdon valinnan.

### USB-muistitikun/muistikortin poistaminen

Sammuta laite aina ennen USB-muistitikun/SD-muistikortin poistamista.

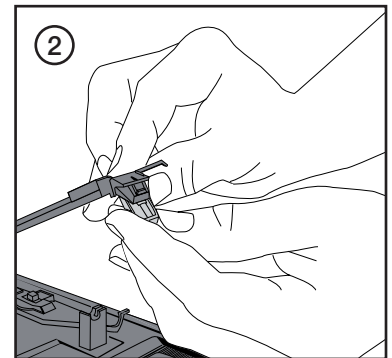
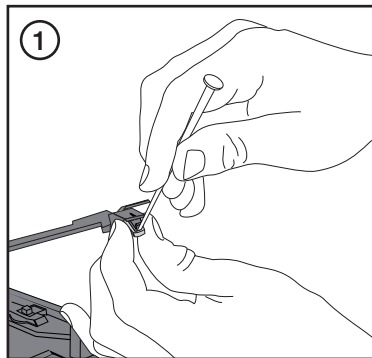
- **USB-muistitikku:** Vedä USB-muistitikku suoraan irti liitännästä.
- **Muistikortti:** Paina muistikorttia varovasti sisään, kunnes se ponnahtaa ulos ja voidaan poistaa käsin.

## 13. Kunnossapito

- Puhdista pölyiset levyt levyharjalla.
- Pidä levysoittimen kansi aina suljettuna, kun soitinta ei käytetä. Näin levylautaseen ja neulaan ei pääse kertymään pölyä.
- Levysoitin voidaan tarvittaessa pyyhkiä kevyesti kostutetulla liinalla.

### Neulan vaihtaminen

1. Pidä toisella kädellä äänipäästä ja työnnä pieni ruuvitaltta etureunasta äänipään ja neulan väliin. Taivuta ruuvitaltta varovasti taaksepäin, kunnes neula irtoaa (ks. kuva).
2. Aseta uusi neula työntämällä se ensin kiinni takareunaan. Paina se sitten kiinni etureunasta.



## 14. Tekniset tiedot

Verkköjännite:	230 V AC, 50 Hz
Levysoittimen nopeus:	33/45 kierr./min
Radion taajuusalue:	87,5–108 MHz (FM), 540–1 600 kHz (AM)
Bitrate, MP3:	32–256 kbps
Lähtöteho:	2 × 2 W
Mitat (levysoitin):	318 × 285 × 178 mm (L × S × K)
Mitat (kaiutin):	120 × 140 × 195 mm (L × S × K)
Paino:	4,7 kg

# Plattenspieler mit CD, MP3, Kassettenspieler und Radio

Art.Nr. 38-4173 Modell TCD-983WEC

Vor Inbetriebnahme die Bedienungsanleitung vollständig durchlesen und für künftigen Gebrauch aufbewahren. Irrtümer, Abweichungen und Änderungen behalten wir uns vor. Bei technischen Problemen oder anderen Fragen freut sich unser Kundenservice über eine Kontaktaufnahme (Kontakt siehe Rückseite).

## Inhalt

1. Sicherheitshinweise
2. Produktbeschreibung
3. Verpackungsinhalt
4. Tasten und Funktionen
5. Montage und Installation
6. Radio
7. CD-Spieler
8. Kassettenspieler
9. Plattenspieler
10. MP3-Dateien von Speicherkarte oder USB-Speicher abspielen
11. MP3 von CD/Plattenspieler/Kassettenspieler aufnehmen
12. Dateien auf USB-Speicher/SD-Speicherkarte löschen
13. Pflege und Wartung
14. Technische Daten

# 1. Sicherheitshinweise

- Reparaturen unbedingt qualifizierten Servicetechnikern überlassen.
- Das Gerät darf nicht demontiert oder anderweitig verändert werden.
- Das Gerät immer so aufstellen, dass es nicht in Wasser oder andere Flüssigkeiten fallen kann. Niemals Gegenstände mit Flüssigkeiten (z. B. Blumenvase oder Getränk) auf dem Gerät abstellen.
- Eventuelle Standby-Funktion über Nacht und vor Reisen abschalten.
- Die Anlage nicht zudecken. Sicherstellen, dass zwischen den Lüftungsöffnungen und den umliegenden Flächen mindestens 15 cm Platz für eine ausreichende Belüftung ist, damit die Anlage sich nicht erhitzt.
- Die Anlage nicht in feuchter, staubiger Umgebung oder in Umgebung mit starken Erschütterungen aufstellen.
- Längeres Hören über Kopfhörer mit hoher Lautstärke kann das Gehör schädigen.



## **Achtung: Niemals versuchen, das Gehäuse zu öffnen.**

Im Inneren des Produktes befinden sich nicht isolierte Komponenten mit gefährlicher Spannung. Bei Kontakt können diese zu Bränden oder Stromschlägen führen.



## **Laserggerät Klasse 1**

Achtung: Niemals versuchen, das Gehäuse zu öffnen. Innerhalb des Gehäuses befindet sich unsichtbare Laserstrahlung, die zu Augenverletzungen führen kann. Niemals in den Laserstrahl blicken und niemals direkt auf das optische Gerät blicken.

# 2. Produktbeschreibung

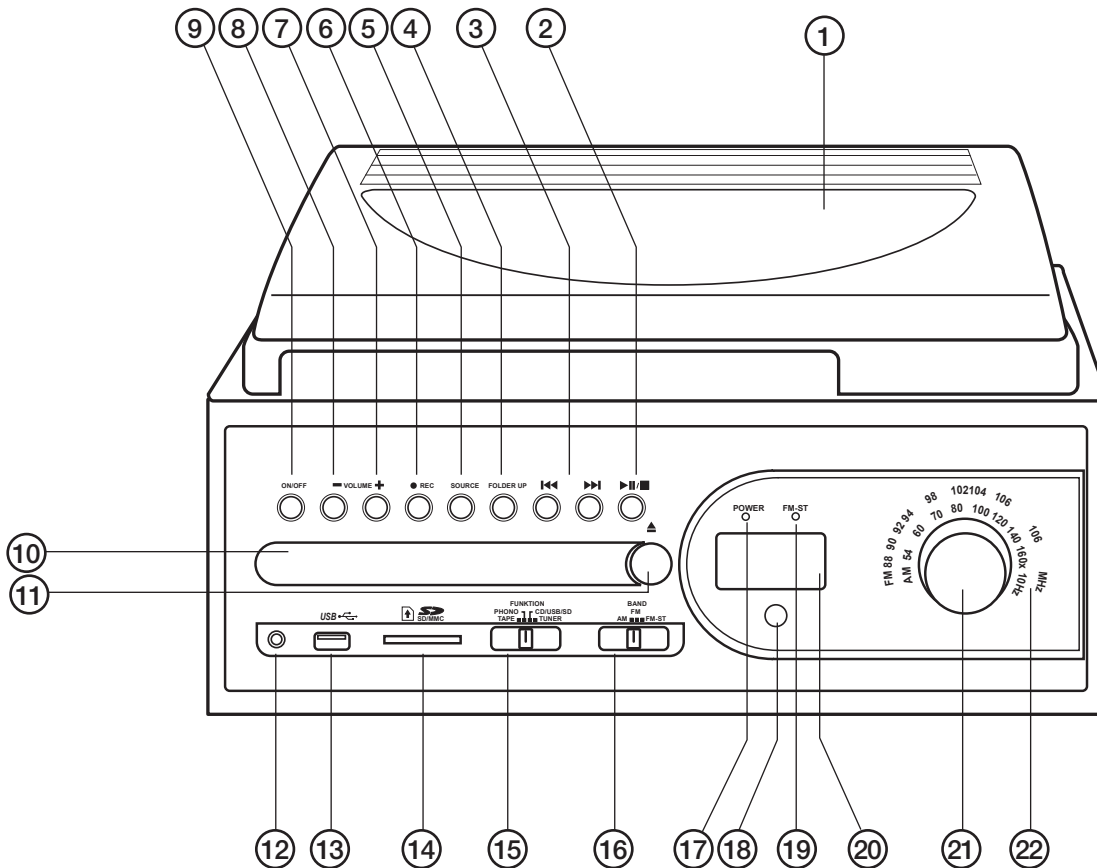
- Plattenspieler mit CD-/MP3-Spieler, Kassettenspieler, Radio sowie Anschlussmöglichkeit für USB-Speicher und SD-Speicherkarte.
- Eingebauter Verstärker und externe Lautsprecher.
- Aufnahmen auf USB-Speicher oder SD-Speicherkarte von Plattenspieler, Kassettenspieler und/oder CD/MP3-Spieler.
- Umschalter für 33/45 /min.
- Autostop-Funktion, wenn die Schallplatte abgespielt ist.
- Eingebauter RIAA-Verstärker und Low-Level-Ausgang.
- Inklusive Fernbedienung.
- Anschluss für Stereokopfhörer.

# 3. Verpackungsinhalt

- Plattenspieler
- 2 × Lautsprecher
- Fernbedienung
- Bedienungsanleitung

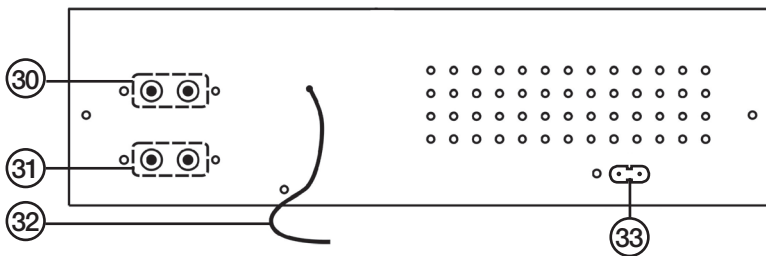
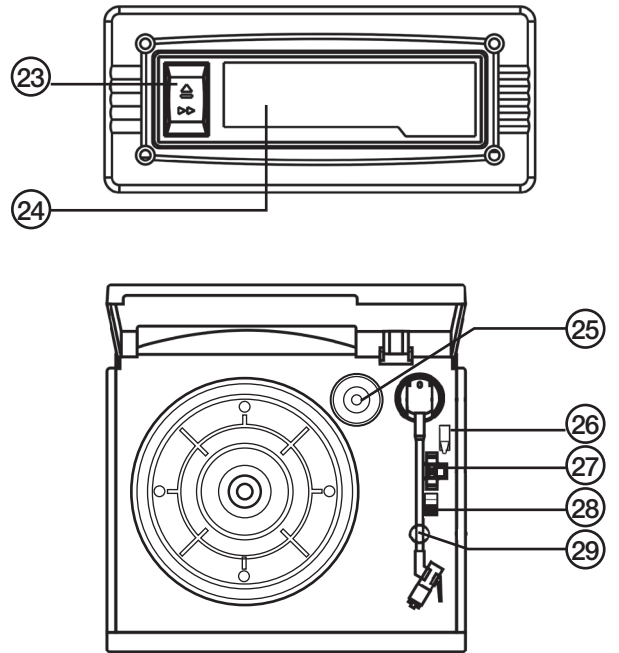
# 4. Tasten und Funktionen

## Plattenspieler



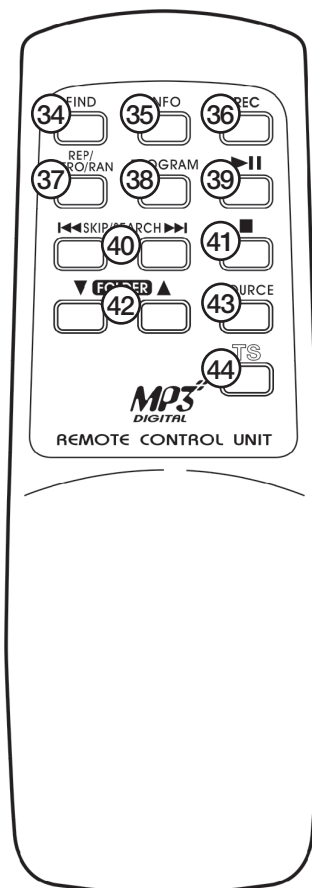
1. **Abdeckung**
2. **[▶ II/■]** – Abspielen Start/Pause/Stopp.
3. **[▶▶ I] [I◀◀]** – Vorheriger/nachfolgender Titel.
4. **[FOLDER UP]** – Zum nächsten Ordner (MP3).
5. **[SOURCE]** – Umschalten zwischen USB-Speicher, SD-Karte oder CD.
6. **[• REC]** – Aufnahme.
7. **[VOLUME +]** – Lautstärke höher.
8. **[VOLUME -]** – Lautstärke niedriger.
9. **[ON/OFF]** – Ein-/Ausschalter.
10. **CD-Fach.**
11. **[▲]** – CD-Fach öffnen/schließen.
12. **Kopfhörerausgang.**
13. **USB-Anschluss.**
14. **Anschlüsse für SD/MMC-Speicherkarte.**
15. **[FUNCTION]** – Funktionswahlschalter: TAPE (Kassette) – PHONO (Plattenspieler) – CD/USB/SD – TUNER (Radio).
16. **[AM/FM]** – Funktionswahlschalter für Radio: MW – UKW – UKW Stereo.
17. **POWER** – Anzeigeleuchte, die leuchtet, wenn die Anlage eingeschaltet ist.
18. **IR-Sensor für Fernbedienung.**
19. **FM ST** – Anzeigeleuchte, die bei UKW-Stereoempfang des Radios leuchtet.
20. **LCD-Display.**
21. **TUNING** – Frequenzwähler.
22. **Frequenzwahlskala.**

- 23. **[▲]** – Vorspulen/Kassettenauswurf.
- 24. **Kassettenfachabdeckung.**
- 25. **Single-Adapter** (Puck) für Plattenteller.
- 26. **Tonarmheber** – Tonarm anheben/absenken.
- 27. **33/45 RPM** – Drehzahlwähler für Plattenspieler.
- 28. **AUTO STOP ON/OFF** – Ein-/Ausschalter für die Autostop-Funktion des Plattenspielers.
- 29. **Tonarmstütze** (mit Transportsicherung).
- 30. **Line Out L/R** – Low-Level-Ausgang (links, rechts).
- 31. **SPEAKER L/R** – Lautsprecheranschluss (links/rechts).
- 32. **UKW-Antenne.**
- 33. **Buchse für Netzkabel.**



## Fernbedienung

- 34. **[FIND]** – Dateinamen suchen (bei MP3-Wiedergabe).
- 35. **[INFO]** – Aufnahmequalität (Encoding Bitrate) wählen und ID3-Tag anzeigen.
- 36. **[REC]** – Aufnahme oder Kopiervorgang starten.
- 37. **[REP/INTRO/RAN]** – Wiederholung/Intro (Wiedergabe der ersten 10 Sekunden jedes Titels/Zufallswiedergabe (bei CD/MP3-Wiedergabe).
- 38. **[PROGRAM]** – Programmierte Wiedergabe von CD, MP3, Speicherkarte oder USB-Speicher.
- 39. **[▶||]** – Wiedergabe starten/Wiedergabepause.
- 40. **[◀|] – [▶|]** - Vorheriger/nächster Titel.
- 41. **[■]** – CD/MP3-Aufnahmen stoppen/gespeicherte Programmierung entfernen.
- 42. **[FOLDER ▲] [FOLDER ▼]** – Verzeichnis wechseln (bei MP3-Aufnahme).
- 43. **[SOURCE]** – CD, USB-Speicher oder SD-Speicherkarte wählen.
- 44. **[TS]** (Track Separation) – Aufnahme in mehrere Dateien aufteilen.

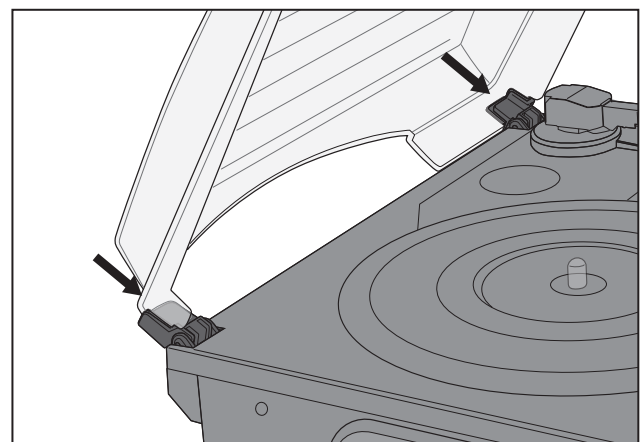
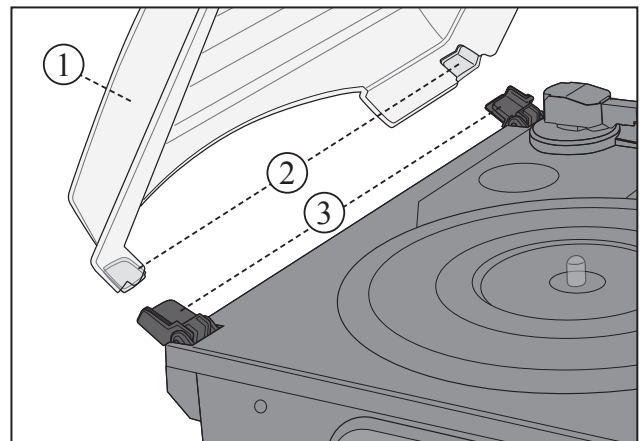
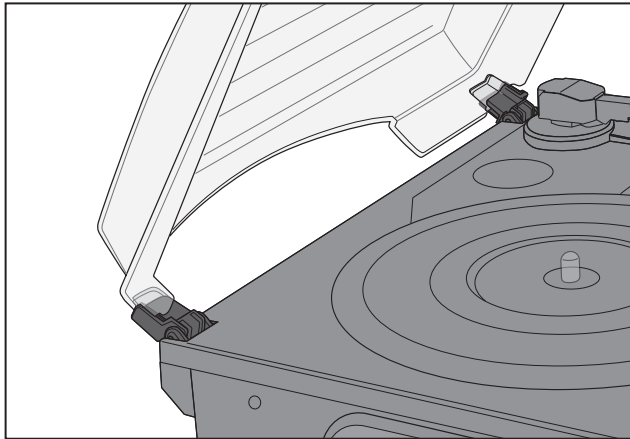


## 5. Montage und Installation

### 5.1 Abdeckung montieren

**Achtung:** Die Hinweisnummern (1–3) beziehen sich nur auf die Abbildungen in diesem Abschnitt.

1. Sicherstellen, dass das Scharnier (3) ganz nach hinten geklappt ist.
2. Die Halterung (2) der Abdeckung (1) in das Scharnier (3) einpassen.
3. Vorsichtig festdrücken bis die Abdeckung ordentlich im Scharnier festsetzt.



### 5.2 Lautsprecher anschließen

Rechten und linken Lautsprecher an den rechten (R) bzw. linken (L) Lautsprecherausgang (31) an der Rückseite des Geräts anschließen. **Achtung:** Die Lautsprecher immer vor dem Einschalten der Musikanlage anschließen.

### 5.3 Elektrischer Anschluss

1. Den kleinen Stecker des Netzkabels in den Anschluss (33) am Plattenspieler einstecken, den Netzstecker in eine Steckdose. Sicherstellen, dass die Spannungsangabe (V) auf dem Typenschild an der Rückseite der Anlage mit der Spannung des lokalen Stromnetzes übereinstimmt (230 V AC, 50 Hz). Anderenfalls hilft der Händler oder der Kundenservice gerne weiter.
2. Stromversorgung vollständig abschalten: Den Netzstecker ziehen. Zum Schutz der Anlage den Netzstecker auch bei starkem Gewitter aus der Steckdose ziehen.

### Stromsparmodus

Der Plattenspieler geht automatisch **15 Minuten** nach dem letzten abgespielten Titel (von Schallplatte, CD, USB-Speicher, SD-Karte oder Kassette) in den Stromsparmodus über. Der Plattenspieler geht auch automatisch nach **15 Minuten** in den Stromsparmodus, wenn er auf Pause steht (CD, USB-Minne, SD-Karte). **Um den Plattenspieler vom Stromsparmodus aus zu starten, zweimal auf [ON/OFF] – den Ein-/Ausshalter – drücken.**

### 5.4 Batterien in Fernbedienung einlegen

1. Batteriefachabdeckung der Fernbedienung entfernen.
2. Batterien (2×AAA/R03, 1,5 V) entsprechend der Kennzeichnung im Batteriefach einlegen.
3. Batteriefachabdeckung aufdrücken.

### 5.5 Aufstellung

Den Plattenspieler auf einer ebenen und harten Fläche aufstellen. Er muss vor Erschütterungen und Stößen geschützt sein.

## 6. Radio

### FM (UKW) und AM (MW)

1. Funktionswahlschalter [FUNCTION] (15) in Position **TUNER** stellen.
2. Funktionswahlschalter (16) in Position **AM**, **FM** (mono) oder **FM-ST** (stereo) stellen.
3. Am Frequenzwähler (21) die gewünschte Frequenz einstellen.
4. Die Antenne (32) so auslegen, dass bestmöglicher Empfang erreicht wird.
5. An den Lautstärketasten [VOLUME +] (7) und [VOLUME -] (8) die Lautstärke einstellen.

### Tipps für besseren Empfang

**MW:** Die Mittelwelleantenne ist eingebaut. Der Empfang kann durch Drehen oder Versetzen des Plattenspielers beeinflusst werden.

**UKW:** Für bestmöglichen Empfang muss die Antenne vollständig abgewickelt und gestreckt sein.

## 7. CD-Spieler

### 7.1 CD hören

1. Funktionswahlschalter [FUNCTION] (15) in Position **CD/USB/SD** stellen.
2. Durch Drücken auf [OPEN/CLOSE] (11) das CD-Fach öffnen.
3. Eine CD (Audio-CD oder CD-R/CD-RW) mit dem Etikett nach oben in das CD-Fach einlegen.
4. Durch Drücken auf [OPEN/CLOSE] (11) das CD-Fach schließen.
5. Wenn die CD eingelesen wurde, zeigt das Display die Gesamtzahl der Titel auf der CD an.
6. Durch Drücken auf [▶||■] (2) oder (39) die Wiedergabe starten. Der erste Titel wird wiedergegeben.
7. Um eine Wiedergabepause einzulegen, erneut auf [▶||■] (2) oder (39) drücken. Die aktuelle Titelnummer blinkt im Display. Zum Fortsetzen der Wiedergabe erneut auf [▶||■] (2) oder (39) drücken.
8. Wiedergabe beenden: Die Tasten [▶||■] (2) oder (39) ca. 2 Sekunden lang gedrückt halten.

### 7.2 Zu anderem Titel springen

Während der Wiedergabe oder einer Wiedergabepause kann mit den Tasten [▶▶|] [|◀◀] (3) oder (40) zu einem anderen Titel gesprungen werden.

1. Einmal kurz auf [▶▶|] [|◀◀] (3) oder (40) drücken, um zum nächsten Titel zu springen. Oder mehrmals drücken, bis die gewünschte Titelnummer angezeigt wird.
2. Einmal kurz auf [▶▶|] [|◀◀] (3) oder (40) drücken, um zum Anfang des gerade wiedergegebenen Titels zurückzukehren. Mehrmals drücken, um zu vorherigen Titeln zurückzukehren.

### 7.3 Im gerade wiedergegebenen Titel eine bestimmte Stelle suchen

1. [▶▶|] [|◀◀] (3) oder (40) gedrückt halten, um eine bestimmten Stelle im Titel zu spulen. Der Titel wird dabei mit hoher Geschwindigkeit und geringer Lautstärke wiedergegeben.
2. Taste loslassen, wenn die gewünschte Stelle zu hören ist. Die normale Wiedergabe wird fortgesetzt.

### 7.4 CD mit MP3-Dateien abspielen

1. Funktionswahlschalter [FUNCTION] (15) in Position **CD/USB/SD** stellen.
2. Durch Drücken auf [OPEN/CLOSE] (11) das CD-Fach öffnen.
3. Eine CD (Audio-CD oder CD-R/CD-RW mit MP3-Dateien) mit dem Etikett nach oben in das CD Fach einlegen.
4. Durch Drücken auf [OPEN/CLOSE] (11) das CD-Fach schließen.
5. Nach kurzer Zeit zeigt das Display die Gesamtzahl der Titel auf der CD an.
6. Durch einmaliges oder mehrmaliges Drücken auf [FOLDER] (4) oder (42) das Verzeichnis mit den wiederzugebenden Dateien auswählen. Die Verzeichnisnummer wird angezeigt.
7. Mit [▶▶|] [|◀◀] (3) oder (40) den gewünschten Titel im gewählten Verzeichnis markieren.
8. Durch Drücken auf [▶||■] (2) oder (39) die Wiedergabe starten.
9. Vorübergehende Wiedergabepause: Erneut auf [▶||■] (2) oder (39) drücken. Die aktuelle Titelnummer blinkt im Display. Zum Fortsetzen der Wiedergabe erneut auf [▶||■] (2) oder (39) drücken.
10. Wiedergabe beenden: Die Tasten [▶||■] (2) oder (39) ca. 2 Sekunden lang gedrückt halten.



#### Hinweis:

- Die Tonqualität der MP3-Dateien kann abhängig von der Qualität der CD oder der Aufnahme variieren.
- Das Einlesen einer CD mit MP3-Dateien dauert normalerweise länger als bei einer normalen Audio-CD.

## 7.5 Titelinformationen anzeigen (über Fernbedienung)

1. Durch Drücken der Taste [INFO] (35) auf der Fernbedienung während der Wiedergabe von MP3-Dateien können ID3-Informationen zum aktuellen Titel ein- und ausgeblendet werden.
2. Sind zum aktuellen Titel keine Informationen vorhanden, wird stattdessen der Text „NONE“ oder „UNKNOWN“ angezeigt.

## 7.6 Lied nach Titel suchen (über Fernbedienung)

Es ist möglich, Lieder anhand des Titels/Namens suchen.

1. Bei unterbrochener Wiedergabe an der Fernbedienung einmal auf [FIND] (34) drücken.
2. Mit [▶▶|] [I◀◀] (3) oder (40) in alphabetischer Reihenfolge durch die Titel blättern.
3. Zweimal auf [▶||■] (2) oder (39) drücken, um die Wiedergabe des gewählten Titels zu starten.

## 7.7 Verzeichnis suchen (über Fernbedienung)

Verzeichnisse können anhand des Verzeichnisnamens gesucht werden.

1. Bei unterbrochener Wiedergabe an der Fernbedienung zweimal auf [FIND] (34) drücken.
2. Mit [▶▶|] [I◀◀] (3) oder (40) in alphabetischer Reihenfolge durch die Verzeichnisse blättern.
3. Durch Drücken auf [▶||■] (2) oder (39) die Wiedergabe der Titel im gewählten Verzeichnis starten.

**Hinweis:** Das Display zeigt nur Zeichen des englischen Alphabets an.

## 7.8 Erweiterte Funktionen


### Wiederholte Wiedergabe (CD)

Repeat 1 → Repeat All → Intro → Random → Off




#### A. Repeat 1 (aktuellen Titel wiederholen)

Einmal oder mehrmals auf [REP/INTRO/RAN] (37) drücken, um einen Titel zu wiederholen.

Das Symbol  zeigt an, dass Repeat 1 aktiviert ist.

#### B. Repeat All (alle Titel wiederholen)

Einmal oder mehrmals auf [REP/INTRO/RAN] (37) drücken, um eine ganze CD zu wiederholen.

Das Symbol  ALL zeigt an, dass Repeat All aktiviert ist.

#### C. INTRO (Wiedergabe der Titelanfänge)

Zur Zeitersparnis bei der Suche nach einem bestimmten Titel werden nacheinander die ersten 10 Sekunden aller Titel wiedergegeben. Einmal oder mehrmals auf [REP/INTRO/RAN] (37) drücken, um die Wiedergabe der Titelanfänge zu starten. Ist die Funktion aktiv, wird im Display „INTRO“ angezeigt.

#### D. RANDOM (Zufallswiedergabe)

Einmal oder mehrmals auf [REP/INTRO/RAN] (37) drücken, um die Titel in zufälliger Reihenfolge abzuspielen. Ist die Funktion aktiv, wird im Display „RANDOM“ angezeigt. Durch erneutes Drücken von [REP/INTRO/RAN] (37) oder durch Drücken von [■] (41) wird die Zufallswiedergabe beendet.

#### E. OFF (keine Wiederholung)

Durch mehrmaliges Drücken auf [REP/INTRO/RAN] (37) wird die Zufallswiedergabe beendet. Im Display wird kein Symbol mehr angezeigt.

## Wiederholte Wiedergabe (MP3)

Repeat 1 → Repeat All → Repeat Folder → Intro → Random → Off

### A. Repeat 1 (aktuellen Titel wiederholen).

Einmal oder mehrmals auf [REP/INTRO/RAN] (37) drücken, um den aktuellen Titel zu wiederholen. Das Symbol zeigt an, dass Repeat 1 aktiviert ist.

### B. Repeat All (alle Titel wiederholen).

Einmal oder mehrmals auf [REP/INTRO/RAN] (37) drücken, um alle Titel zu wiederholen. Das Symbol zeigt an, dass Repeat All aktiviert ist.

### C. Repeat Folder (alle Titel im Ordner wiederholen).

Einmal oder mehrmals auf [REP/INTRO/RAN] (37) drücken, um alle Ordner (und Titel) zu wiederholen. Das Symbol zeigt an, dass Repeat Folder aktiviert ist.

### D. INTRO (Wiedergabe der Titelanfänge)

Zur Zeitersparnis bei der Suche nach einem bestimmten Titel werden nacheinander die ersten 10 Sekunden aller Titel wiedergegeben. Einmal oder mehrmals auf [REP/INTRO/RAN] (37) drücken, um die Wiedergabe der Titelanfänge zu starten. Ist die Funktion aktiv, wird im Display „INTRO“ angezeigt.

### E. RANDOM (Zufallswiedergabe)

Einmal oder mehrmals auf [REP/INTRO/RAN] (37) drücken, um die Titel in zufälliger Reihenfolge abzuspielen. Ist die Funktion aktiv, wird im Display „RANDOM“ angezeigt. Durch erneutes Drücken von [REP/INTRO/RAN] (37) oder durch Drücken von [■] (41) wird die Zufallswiedergabe beendet.

### F. OFF (keine Wiederholung)

Durch mehrmaliges Drücken auf [REP/INTRO/RAN] (37) wird die Zufallswiedergabe beendet. Im Display wird kein Symbol mehr angezeigt.

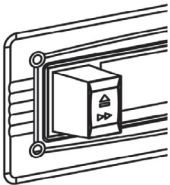
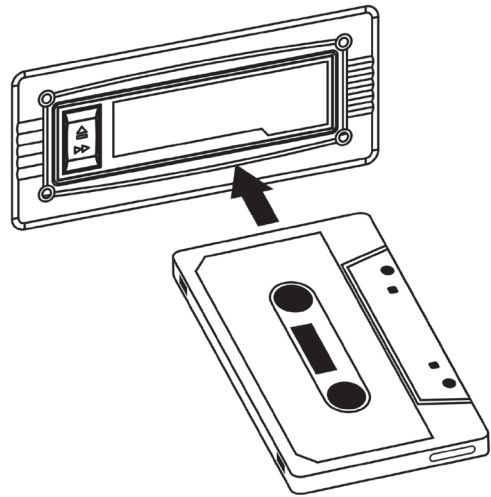
## 7.9 Programmierte Wiedergabe (über Fernbedienung)

Es können bis zu 32 Titel in beliebiger Reihenfolge programmiert werden.

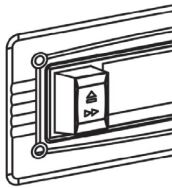
1. Durch Drücken von [■] (41) die Wiedergabe beenden.
2. Einmal an der Fernbedienung auf [PROGRAM] (38) drücken. Im Display werden „PROG“, die Programmnummer und die Titelnummer angezeigt.
3. Mit [I◀] [▶I] / (40) den zu programmierenden Titel auswählen.
4. Zum Bestätigen einmal auf [PROGRAM] (38) drücken. Im Display blinkt nun die Titelnummer.
5. Um weitere Titel zu speichern, Schritt 3 und 4 wiederholen.
6. Mit [▶II] (39) die Wiedergabe in der programmierten Reihenfolge starten.
7. Um den Programmspeicher zu löschen, mit [■] (41) die Wiedergabe beenden und [■] (41) gedrückt halten, bis die Anzeige von „PROG“ im Display erlischt.

## 8. Kassettenspieler

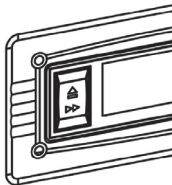
1. Funktionswahlschalter [FUNCTION] (15) in Position **TAPE** stellen.
2. Die Kassette mit der Schmalseite voraus in das Fach einschieben. Die abzuspielende Seite muss nach oben zeigen.
3. Der Kassettenspieler startet automatisch, wenn die Kassette eingedrückt wird.
4. Die Funktionen des Kassettenspielers werden mit der Taste [▲] (23) gesteuert:



**PLAY** – Wiedergabe läuft  
(Taste steht vollständig heraus).



**FAST FORWARD** – Vorspulen (Taste ist leicht eingedrückt). Leicht auf die Taste drücken, um das Vorspulen zu beenden und die Wiedergabe fortzusetzen.



**EJECT** – Kassette auswerfen (Taste vollständig eindrücken).

### Achtung:

Beim Vorspulen (FAST FORWARD) kann die Kassette ungewöhnliche Geräusche von sich geben. Die Kassette immer entnehmen, wenn der Kassettenspieler nicht benutzt wird.

## 9. Plattenspieler

1. Den Nadelschutz vom Tonabnehmer entfernen und die Transportsicherung (29) des Tonarms nach außen klappen.
2. Zum Einschalten des Plattenspielers den Funktionswahlschalter [FUNCTION] (15) in Position **PHONO** stellen.
3. Eine Schallplatte auf den Plattenteller legen. Manche Schallplatten für 45 Umdrehungen haben ein großes Mittelloch. Zum Abspielen dieser Schallplatten wird der Single-Adapter (25) benötigt.
4. Mit dem Umdrehungsumschalter (27) die für die Schallplatte richtige Umdrehungszahl wählen.
5. Den Tonarm mit dem Tonarmheber (26) anheben und über die Platte führen. Der Plattenteller beginnt sich zu drehen.
6. Den Tonarm mit dem Tonarmheber (26) vorsichtig am Beginn der gewünschten Tonspur aufsetzen.
7. Das Abspielen der Schallplatte beginnt. Mit [VOLUME +] (7) und [VOLUME -] (8) die Lautstärke auf den gewünschten Pegel einstellen.
8. Ist das Abspielen beendet, den Tonarm anheben und zur Tonarmstütze zurückführen. Der Plattenteller hört auf, sich zu drehen.

### Achtung:

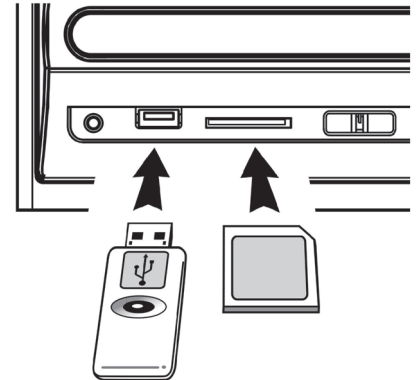
Bei manchen Schallplatten liegt die Endanzeige außerhalb des Auto-Stop-Bereichs des Plattenspielers. Dies führt dazu, dass manche Schallplatten schon vor Erreichen des letzten Titels stehen bleiben. In diesem Fall den Wahlschalter [AUTO STOP] (28) in Position **OFF** stellen.

**Achtung:** Der Plattenteller dreht sich dann auch nach Abspielen des letzten Titels weiter. Zum Anhalten der Platte: Den Wahlschalter [AUTO STOP] (28) in Position **ON** stellen.

## 10. MP3-Dateien von Speicherkarte oder USB-Speicher abspielen

Die Musikanlage kann MP3-Dateien von einem USB-Speicher oder einer SD- oder MMC-Speicherkarte wiedergeben.

1. Einen USB-Speicher bzw. eine Speicherkarte wie abgebildet einstecken. Sicherstellen, dass der USB-Speicher/die Speicherkarte korrekt herum eingesteckt werden, um Schäden an den Kontakten zu vermeiden. Den USB-Speicher/die Speicherkarte gerade einschieben, ohne ihn/sie zu biegen.
2. Den Funktionswahlschalter [FUNCTION] (15) in Position CD/USB/SD stellen. Dann mit [SOURCE] (5) oder (43) **USB** (USB-Speicher) bzw. **CARD** (Speicherkarte) wählen. Im Display werden die gewählte Tonquelle, das Audioformat und die Gesamtzahl der Titel angezeigt.
3. Nach kurzer Zeit zeigt das Display die Gesamtzahl der Titel auf dem Speichermedium an.
4. Durch einmaliges oder mehrmaliges Drücken auf [FOLDER] (4) oder (42) das Verzeichnis mit den wiederzugebenden Dateien auswählen. Im Display wird das Dateiverzeichnis angezeigt.
5. Mit [▶▶] [◀◀] (3) oder (40) den gewünschten Titel im gewählten Verzeichnis markieren.
6. Durch Drücken auf [▶||■] (2) oder (39) die Wiedergabe starten.
7. Wiedergabepause: Erneut auf [▶||■] (2) oder (39) drücken. Die aktuelle Titelnummer blinkt im Display. Zum Fortsetzen der Wiedergabe erneut auf [▶||■] (2) oder (39) drücken.
8. Wiedergabe beenden: Die Tasten [▶||■] (2) oder (41) ca. 2 Sekunden lang gedrückt halten.




**Achtung:** Die übrigen Funktionen entsprechen „7.4 CD mit MP3-Dateien abspielen“, Punkt 7.5, 7.6, 7.7, 7.9 und 7.10.

## 11. MP3 von CD/Plattenspieler/Kassettenspieler aufnehmen


Die Musikanlage kann von einer CD, dem Plattenspieler oder dem Kassettenspieler Titel aufnehmen und als Audiodateien im Format MP3 auf der Speicherkarte oder dem USB-Speicher ablegen.

### A. Aufnehmen von CD


#### I. Einen Titel von der CD aufnehmen.

1. Wiedergabe von CD wie gewohnt starten.
2. Zum Starten der Aufnahme auf [REC] (6) oder (36) drücken (während der Wiedergabe des Titels). Im Display wird während der Aufnahme  blinkend angezeigt.
3. Ist die Aufnahme abgeschlossen, wird sie automatisch beendet.
4. Um die Aufnahme schon vorher zu beenden, auf [REC] (6) oder (36) drücken.

#### II. Ganze CD aufnehmen

1. CD einlegen, CD-Fach schließen und warten, bis die CD eingelesen wurde.
2. Zum Starten der Aufnahme auf [REC] (6) oder (36) drücken. Im Display wird während der Aufnahme  blinkend angezeigt.
3. Ist die Aufnahme abgeschlossen, wird sie automatisch beendet.
4. Um die Aufnahme schon vorher zu beenden, auf [REC] (6) oder (36) drücken.

#### III. Ausgewählte Titel der CD aufnehmen.

1. CD einlegen und warten, bis die CD eingelesen wurde.
2. Die gewünschten Titel auswählen und gemäß Abschnitt: 7.10 Programmierte Wiedergabe (über Fernbedienung) speichern.
3. Zum Starten der Aufnahme auf [REC] (6) oder (36) drücken. Im Display wird während der Aufnahme  blinkend angezeigt.
4. Ist die Aufnahme abgeschlossen, wird sie automatisch beendet.
5. Um die Aufnahme schon vorher zu beenden, auf [REC] (6) oder (36) drücken.

**Achtung:**

- Die Aufnahmezeit wird genauso lang wie die Wiedergabezeit.
- Es wird ein „AUDIO“-Ordner erstellt, in dem die Aufnahme gespeichert wird.
- Voreingestelltes Aufnahmeformat ist MP3 mit Bitrate 128 kbit/s und Sampling-Rate 44,1 kHz.
- Die Liedtitel werden bei der Aufnahme nicht gespeichert.
- Damit eine Musikdatei gespeichert wird, muss der gesamte Titel aufgenommen werden.  
Wird die Aufnahme vorzeitig unterbrochen, wird auf der Speicherkarte bzw. dem USB-Speicher keine Datei gespeichert.

**IV. MP3-Dateien kopieren****Kopieren von CD.**

- Enthält eine CD nur MP3-Dateien, werden die Dateien in diesem Format kopiert.  
Das Vorgehen entspricht demjenigen beim: „Aufnehmen von CD“ (siehe unter 11. A).

**Kopieren zwischen Speicherkarte und USB-Speicher**

- Um das Kopieren von der Speicherkarte auf den USB-Speicher oder umgekehrt zu starten, während der Wiedergabe von der Speicherkarte bzw. dem USB-Speicher auf [REC] (6) oder (36) drücken.

**B. Aufnahmen vom Plattenspieler**

1. Funktionswahlschalter [FUNCTION] (15) in Position **PHONO** stellen.
  2. Auf [REC] (6) oder (36) drücken.
  3. Im Display wird zuerst „USB“ angezeigt, danach  **REC** .  
Wenn die Symbole anfangen zu blinken, startet die Aufnahme.
  4. Das Abspielen der Schallplatte mit dem aufzunehmenden Titel starten.
  5. Nach erfolgter Aufnahme: [REC] (6) oder (36) gedrückt halten, bis das Display nicht mehr blinkt.
- Achtung:** Um die Aufnahme direkt zu starten: Zweimal kurz hintereinander auf [REC] (6) oder (36) drücken.

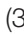

**C. Aufnahmen von Kassette**

1. Funktionswahlschalter [FUNCTION] (15) in Position **TAPE** stellen.
2. Auf [REC] (6) oder (36) drücken.
3. Im Display wird zuerst „USB“ oder „CARD“ angezeigt, danach **REC** . Wenn das Symbol anfängt zu blinken, startet die Aufnahme.
4. Das Abspielen der Kassette mit dem aufzunehmenden Titel starten.
5. Nach erfolgter Aufnahme [REC] (6) oder (36) gedrückt halten, bis das Display nicht mehr blinkt.

**Achtung:** Um die Aufnahme direkt zu starten: Zweimal kurz hintereinander auf [REC] (6) oder (36) drücken.

**Achtung:** Wenn sowohl Speicherkarte als auch USB-Speicher angeschlossen sind, werden die Dateien auf dem USB-Speicher abgelegt.

**D. Manuelle Einstellung von „Bit Rate“ bei Aufnahme von CD, Plattenspieler oder Kassettenspieler**

1. Funktionswahlschalter [FUNCTION] (15) in Position **PHONO** oder **TAPE** stellen.
2. Auf [INFO] (35) drücken. Der eingestellte Wert (128 kbit/s) für „Bit Rate“ wird im Display angezeigt.
3. Mit   (3) oder (40) den gewünschten Wert einstellen: 32 – 64 – 96 – 128 – 192 – 256 kbps
4. Zum Bestätigen auf [INFO] (35) drücken.

**E. Track separation (TS)**

Aufteilen der Aufnahme vom Plattenspieler oder Kassettenspieler in mehrere Dateien: Durch einmaliges Drücken auf [TS] (44) eine Pause einfügen und eine neue Datei erstellen, in die der nächste Titel geschrieben wird. An allen Stellen wiederholen, wo die Aufnahme in mehrere Dateien aufgeteilt werden soll. Jedes Mal, wenn eine neue Datei erstellt wird, blinkt das „PHONO“- bzw. „TAPE“-Symbol im Display einmal.

**Achtung:** Dies muss während der Aufnahme erfolgen.

# 12. Dateien auf USB-Speicher/SD-Speicherkarte löschen

## Eine Datei löschen

1. Einen USB-Speicher oder eine Speicherkarte einstecken. Dann den Funktionswahlschalter in Position **USB** bzw. **SD** stellen.
2. Ca. 3 Sekunden lang [INFO] (35) gedrückt halten. Im Display wird „DEL -001“ angezeigt.
3. Mit [▶▶|] [|◀◀] (3) oder (40) die zu löschende Datei wählen.
4. Auf [REC] (36) drücken. „YES“ und „NO“ blinken. Mit [▶▶|] [|◀◀] (3) oder (40) **YES** (Datei löschen) bzw. **NO** (abbrechen ohne zu löschen) wählen.
5. Zum Bestätigen erneut auf [REC] (6) oder (36) drücken. Zum Abbrechen des Löschvorgangs einmal auf [■] (41) drücken.

## Alle Dateien löschen

1. Einen USB-Speicher oder eine Speicherkarte einstecken. Dann den Funktionswahlschalter in Position **USB** bzw. **SD** stellen.
2. Ca. 3 Sekunden lang [INFO] (35) gedrückt halten. Im Display wird „DEL -001“ angezeigt.
3. Auf [REC] (36) drücken. „YES“ und „NO“ blinken. Mit [▶▶|] [|◀◀] (3) oder (40) **YES** (alle Dateien löschen) bzw. **NO** (abbrechen ohne zu löschen) wählen.
4. Zum Bestätigen auf [REC] (36) drücken.
5. Zum Abbrechen des Löschvorgangs einmal auf [■] (41) drücken.

**Achtung:** **YES** bewirkt, dass alle Dateien auf dem USB-Speicher bzw. auf der Speicherkarte gelöscht werden.

## USB-Speicher/Speicherkarte entfernen

Vor dem Entfernen des USB-Speichers/der Speicherkarte immer erst das Gerät abschalten.

**USB-Speicher:** Den USB-Speicher gerade herausziehen.

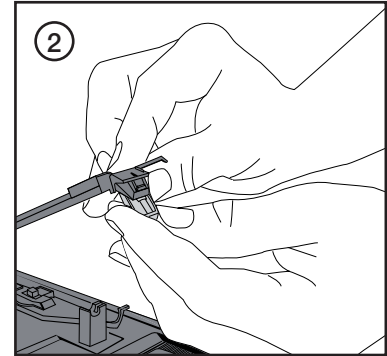
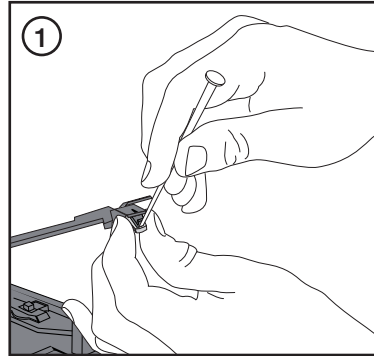
**Speicherkarte:** Die Speicherkarte vorsichtig etwas eindrücken.  
Die Karte federt dann heraus und kann herausgezogen werden.

## 13. Pflege und Wartung

- Staubige Schallplatten mit einer Schallplattenbürste reinigen.
- Wird der Plattenspieler nicht benutzt, die Abdeckung immer zuklappen um Staubansammlungen auf dem Plattenteller und an der Nadel zu vermeiden.
- Bei Bedarf den Plattenspieler mit einem leicht befeuchteten Tuch abwischen.

### Nadel austauschen

1. Den Tonabnehmer mit einer Hand festhalten und an der Vorderkante ein kleines Nuteisen zwischen Tonabnehmer und Nadel hineindrücken. Mit dem Nuteisen die Nadel vorsichtig herausstemmen.
2. Zum Einsetzen einer neuen Nadel diese zuerst mit der Hinterkante festdrücken. Dann an der Vorderkante festdrücken.



## 14. Technische Daten

Netzspannung:	230 V AC, 50 Hz
Drehzahl Plattenspieler:	33/45 /min
Frequenzbereich Radio:	87,5 – 108 MHz (UKW), 540 – 1600 kHz (MW)
Bitrate, MP3:	32 – 256 kbit/s
Ausgangsleistung:	2 × 2 W
Abmessungen (Plattenspieler):	318 × 285 × 178 mm (B×T×H)
Abmessungen (Lautsprecher):	120 × 140 × 195 mm (B×T×H)
Gewicht:	4,7 kg

## Sverige

---

Kundtjänst tel: 0247/445 00  
fax: 0247/445 09  
e-post: kundservice@clasohlson.se

Internet www.clasohlson.se

Post Clas Ohlson AB, 793 85 INSJÖN

## Norge

---

Kundesenter tlf.: 23 21 40 00  
faks: 23 21 40 80  
e-post: kundesenter@clasohlson.no

Internett www.clasohlson.no

Post Clas Ohlson AS, Postboks 485 Sentrum, 0105 OSLO

## Suomi

---

Asiakaspalvelu puh.: 020 111 2222  
sähköposti: asiakaspalvelu@clasohlson.fi

Internet www.clasohlson.fi

Osoite Clas Ohlson Oy, Maistraatinportti 4 A, 00240 HELSINKI

## Great Britain

---

Customer Service contact number: 020 8247 9300  
e-mail: customerservice@clasohlson.co.uk

Internet www.clasohlson.co.uk

Postal 10 – 13 Market Place  
Kingston Upon Thames  
Surrey  
KT1 1JZ

## Deutschland

---

Kundenservice Unsere Homepage [www.clasohlson.de](http://www.clasohlson.de) besuchen  
und auf Kundenservice klicken.

# clas ohlson