

CD/MP3 Player

Cd/mp3-spelare

CD/MP3-spiller

Cd-/mp3-soitin



Article number 38-2705

Model MP-CD521

CLAS OHLSON

CD/MP3 Player

Article number: 38-2705

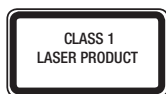
Model: MP-CD521

Please read the entire instruction manual before using the product and save it for future reference. We apologise for any text or photographic errors and any changes of technical data. If you have any questions concerning technical problems please contact our Customer Service Department (see address on reverse).

Read the player's operating instructions and warning text before you begin to use it. Note the following safety symbols:



Caution: Do not open the casing! Dangerous current exists in unprotected components within the product's casing. Contact with these can lead to fire or give electric shocks.



CLASS 1 LASER PRODUCT

Caution: Do not open the casing! Contains invisible laser beams which can cause eye damage. Do not look directly into the laser beam or look directly at it through an optical instrument.

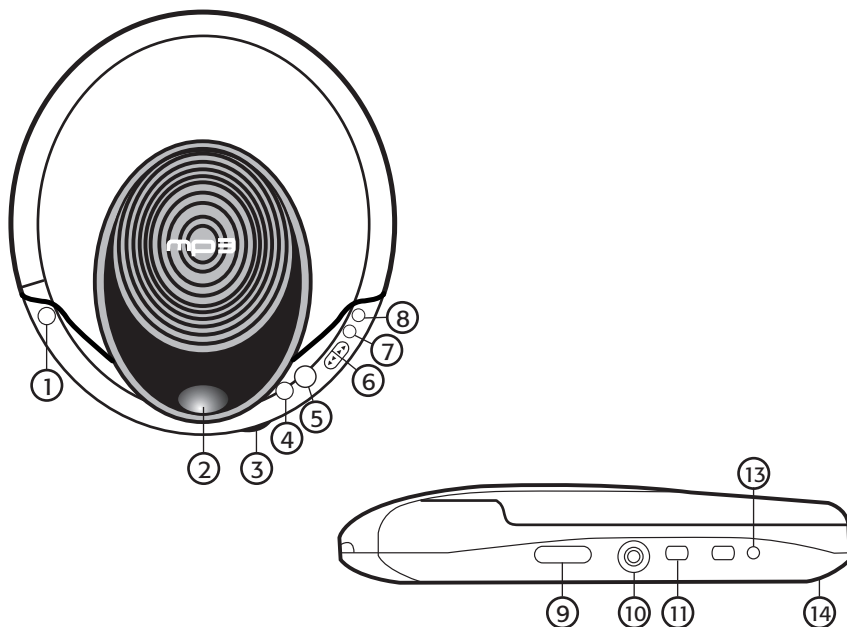
1. Safety Instructions

- The product should only be repaired by qualified service personnel.
- The product should not be taken apart or modified.
- Do not place the product where it could fall into water or other type of liquid. Do not place any objects which contain liquid on the product, e.g. vases or drinks.
- Do not disassemble the player. The laser which is used for reading the discs can cause eye damage.
- Do not stick in any foreign objects into the CD player. The player is equipped with a safety device which automatically shuts off the laser beam when the CD cover is opened. Placing metal objects or other foreign objects into the player deactivates this safety feature.
- Do not expose the player to impacts or vibrations.
- Do not leave the player in high temperature environments. The player's casing can be damaged e.g. from direct sunlight, exposure to heaters or being left in the car during summer.
- Only use the player in temperatures ranging from 5 °C to 35 °C and never in places that are humid or dusty.
- Protect your hearing; listening with high volume for an extended period of time may cause permanent hearing damage.
- Do not use the CD player while driving so that it causes you to lose your ability to concentrate on the surrounding traffic.

2. Contents

- CD player
- Stereo headphones
- Instruction manual

3. Controls and Functions



1. ▲ Opens the CD compartment
2. Display
3. [ASP/DIR] Anti-shock memory and album choice (when listening to MP3)
4. ■ Stops playback, push and hold to shut off the CD player
5. ►|| Turns on the CD player, starts or pauses playback
6. ◀◀ / ▶▶ Go to previous track/fast rewind, go to next track/fast forward
7. [MODE] Function switch
8. [PRG] Programme playback
9. [VOLUME] Volume control
10. [PHONE] Headphone outlet (Ø 3.5 mm)
11. [DBBS] Increases the bass
12. [HOLD] Key lock
13. [DC 4.5V] AC/DC adaptor connection (4.5 V + centre pin) (not included)
14. Battery compartment (on bottom)

4. Batteries

Insert 2 x LR6 (AA) batteries (not included), according to the markings on the battery compartment.

Battery safety

1. Always use two batteries of same type. Never mix new and used batteries when changing.
2. Be careful with the batteries' polarity. If one of the batteries is inserted incorrectly it can cause leakage.
3. Do not disassemble the batteries and do not expose them to high temperatures. Do not throw batteries into fire.

AC/DC adaptor


It is also possible to use an AC/DC adaptor (not included): 4.5 V DC 700 mA DC plug with + centre pin.

N.B. Make sure that the adaptor has the correct current/voltage rating and polarity before connecting. Otherwise this may damage both the CD/MP3 player and adaptor, which is not covered by the guarantee.

Use LR6/AA alkaline batteries

Do not use manganese dioxide batteries due to their low capacity and which results in short usage. Rechargeable batteries also yield lower currents from beginning (1.2 V to 1.5 V) and result in shorter playing times.

Low battery warning

1. If the battery symbol  appears in the display, you have low batteries. Change the batteries or use an adaptor (adaptor not included).
2. If the display window is blank e.g. no number shows up when you push ►|| (5) – it means the batteries are bad or uncharged. Change them or use an adaptor. Also check that you have inserted the batteries correctly with the plus (+) and minus (-) markings matching those in the battery compartment.

5. Operating Instructions

1. Push ▲ (1) to open the CD door.
2. Place a CD securely on the spindle with the label facing upwards (a clicking sound is heard when the CD glides into the correct position).
3. Close the CD door again and connect the headphones to the **[PHONES]** jack (10).
4. Push ▶|| (5) to turn on CD player and begin playback of the first track. Remember that it takes a moment before playback starts, the anti shock memory must read the disc first! **CD 40 sec** is shown on the display during the reading.
5. The total amount of tracks on the CD is shown on the display and the playback starts with the first track. Adjust volume with **[VOLUME]** (9).
6. Choose desired track:

CD

Push ◀◀ or ▶▶ to jump to the previous/next track, push and hold any of the buttons to fast forward/rewind in the current playback.

MP3

Choose desired album (folder) by pushing **[ASP/DIR]**.


Push ◀◀ or ▶▶ to jump to the previous/next track, push and hold any of the buttons to fast forward/rewind in the current playback.

7. Push one more time ▶|| (5) to pause in playback. Push again ▶|| to continue playback.
8. Push ■ (4) once to stop playback.
9. Push ■ twice to shut off the CD player instantly.


6. Playback Functions; Repeat, Intro-Play and Random Play

Repeat

CD

1. Push **[MODE]** (7) once to repeat the current track endlessly,  is shown on the display until you push **■** (4) or repeatedly on **[MODE]** until the player returns to normal playback mode.
2. Push **[MODE]** (7) twice to repeat all tracks over and over again, **ALL** is shown on the display until you push **■** (4).

MP3

1. Push **[MODE]** (7) once to repeat the current track endlessly,  is shown on the display until you push **■** (4) or repeatedly on **[MODE]** until the player returns to normal playback mode.
2. Push **[MODE]** (7) twice to repeat all tracks in the folder over and over again, **ALBUM** is shown on the display until you push **■** (4).
3. Push **[MODE]** (7) three times to repeat all tracks over and over again, **ALL ALBUM** is shown on the display until you push **■** (4).

Short intro for all tracks (Intro Play)

Listen to the first 10 seconds of all tracks.

1. Push **[MODE]** (7) repeatedly until **INTRO** is shown on the display.
2. Then push **▶II** (5) to start playing the 10-second intros of all tracks on the CD.
3. Push **[MODE]** (7) to return to normal playback mode.

Random playback

Listening to all tracks randomly.

1. Push **[MODE]** (7) repeatedly until **RAND** is shown on the display.
2. Then push **▶II** (5) to start playback randomly of all tracks on the CD.
3. Push **[MODE]** (7) to return to normal playback mode.

7. Programmed Playback

Tracks on the disc can be programmed for playback in whatever order you desire. You can programme a maximum of 20 tracks.

CD

1. Push **[PRG]** (8) when the player is in stop mode. The track choice flashes on the display.
2. Choose desired first track to be programmed using the buttons **◀◀** or **▶▶**.
3. Push **[PRG]** to confirm the setting.
4. The first track is now saved into the memory. The program number progresses to **P 02** and waits for you next choice.
5. Repeat steps 2 and 3 to programme in other tracks.
6. Push **▶▶** (5) to start playback after programming.
7. **PRG** is shown on the display and playback begins from the first programmed track.
8. Push **■** (4) twice to stop the playback.
9. The CD player stops automatically when the programmed tracks have been played. The programmed tracks remain in the memory until you open the CD player or until the power is turned off.

MP3

1. Push **[PRG]** (8) when the player is in stop mode. The album/folder number flashes on the display.
2. Choose desired album (folder) with the buttons **◀◀** or **▶▶**.
3. Push **[PRG]** to confirm the setting.
4. Choose the desired track in the album with the buttons **◀◀** or **▶▶**.
5. Push **[PRG]** to confirm the setting.
6. The first track is now saved into the memory. The programme number progresses to **02** and waits for you next choice.
7. Repeat steps 2 and 5 to programme in other tracks.
8. Push **▶▶** (5) to start playback after programming.
9. **PRG** is shown on the display and playback begins from the first programmed track.
10. Push **■** (4) twice to stop the playback.
11. The CD player stops automatically when the programmed tracks have been played. The programmed tracks remain in the memory until you open the CD player or until the power is turned off.

8. DBBS

DBBS increases the bass when listening, adjust the volume control on low volume before you activate this function. Some CDs may give bad sound with DBBS depending on the recording, if this is the case, turn off the DBBS function.

N.B. Listening with headphones on high volume may cause permanent hearing damage.

9. HOLD

HOLD is a key lock that can be activated to prevent Start/Stop accidentally during playback if you happen to touch any of the buttons. This function is good to use if you are carrying the player in a pocket or bag while it is playing.

10. ASP/DIR (Anti-Shock)

This function starts automatically when the player is started, **CD 40 sec** is shown on the display.

- The anti-shock function is built on a memory to prevent the sound from skipping when the player is exposed to bumps and vibrations during playback, the memory is 40 seconds for CD and 120 seconds for MP3.
- When the CD starts to play the buffer memory is automatically switched on. The music's digital data is stored in the forward storage buffer memory before decoding and starting playback.
- When the player encounters an impact during playback the memory continues to decode and play. This allows time for the pickup to stabilize and continue collecting until the new data has caught up.

Push the button **ASP/DIR** (3) during playback if you want to stop this function.

11. Cleaning

Cleaning the pickup lens

Dust on the pickup lens can lead to hacking playback and disturbed functioning.

- Open the CD cover and blow away any dust with the help of a spray tin filled with compressed air, normally used for cleaning cameras and objective lenses.
- There are also special CDs which can be purchased and used for cleaning the pickup lens.

12. Cleaning the Casing

- Use a soft cloth moistened with warm water and wrung out.
- Never use alcohol, petrol or other strong solutions as they can destroy the plastic surface.
- It is important that no liquid comes in contact with the CD player.

13. Consider this if the player is exposed to temperature change!

Condensation on the components within the laser pickup can temporarily impair the player's functions.

Condensation can occur under certain circumstances:

- When you bring the player into a warm room from outdoors or if it is stored in a cold room which is quickly warmed up.
- During summer if you take the player to a warm or damp place away from an air conditioned location e.g. a car or room.

If condensation occurs:

- Wait 1 – 2 hours to allow the player to adjust to the environment's temperature before using. Open the CD cover to quicken process.

Caution: Do not expose the player to drops or splashes from liquids and do not place objects containing liquids on the player, e.g. vases or drinks.

Remember that the player needs ventilation to prevent overheating.

14. Troubleshooting, problems, causes, and corrections

Problem	Cause	Correction
CD player does not start, buttons do not function.	Low batteries.	Change batteries.
CD does not play.	<ol style="list-style-type: none"> 1. CD is placed incorrectly in player. 2. Damaged or wrong type of CD. 3. CD cover does not close. 4. Condensation on pickup lens 	<ol style="list-style-type: none"> 1. Turn over the CD. 2. Try another CD (the player can not read DVDs or data CDs). 3. Check that the CD cover is securely in place. 4. Take the CD out and leave the player's cover open for an hour to let the condensation evaporate.
No sound from the headphones.	<ol style="list-style-type: none"> 1. Headphone plug is not correctly plugged in. 2. Volume control is set to 0. 3. Low batteries. 4. Wrong format CD. 	<ol style="list-style-type: none"> 1. Try to reinsert the plug. 2. Increase volume. 3. Change the batteries. 4. Change the CD.
"Er" shows on the display instead of the total amount of tracks.	Wrong CD format.	Change the CD.
Sound disappears every now and then.	<ol style="list-style-type: none"> 1. Dust/dirt on the pickup lens or CD. 2. Vibrating surface 	<ol style="list-style-type: none"> 1. Clean the pickup lens with an air spray (camera accessory), clean or change the CD. 2. Place the CD player on another surface.
Poor sound quality.	<ol style="list-style-type: none"> 1. Volume too high 2. Low batteries. 	<ol style="list-style-type: none"> 1. Reduce the volume. 2. Change the batteries. Use an adaptor.
The display locks up or displays unrecognisable symbols.	Temporary programme or electronic error.	Take out the batteries (and adaptor if connected). Wait 15 seconds and reinsert them. Make sure the batteries are good.



15. Disposal

Sort and recycle products where possible, instead of disposing of them. All electronic products, batteries and packaging material etc. should be sorted and processed according to local environmental regulations.

16. Specifications

Headphone socket:	20 mW + 20 mW (32 Ohms)
Power Supply:	Battery: 2 x LR6 (not included)
AC/DC Adaptor:	4.5 V DC 700 mA DC plug with + centre pin. (not included)
Size:	150 x 135 x 30 mm (D x W x H)
Weight:	Approx. 270 g (without batteries)
Frequency range:	50 Hz – 20 kHz (within +1/-2dB)
Sampling frequency:	44.1 kHz (8x over sampling)
D/A converter:	1-bit

Cd/mp3-spelare

Artikelnummer: 38-2705

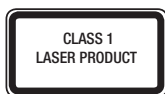
Modell: MP-CD521

Läs igenom hela bruksanvisningen före användning och spara den sedan för framtida bruk. Vi reserverar oss för ev. text- och bildfel samt ändringar av tekniska data. Vid tekniska problem eller andra frågor, kontakta vår kundtjänst (se adressuppgifter på baksidan).

Läs bruksanvisningen och varningstexten på spelaren innan du börjar använda den. Lägg märke till dessa säkerhetssymboler:



Varning! Öppna inte höljet! Farlig spänning finns oskyddat på komponenter inuti produktens hölje, kontakt med dessa kan leda till brand eller ge elektriska stötar.



KLASS 1 LASERAPPARAT

Varning! Öppna inte höljet! Osynlig laserstrålning som kan orsaka ögonskador. Rikta inte blicken in mot strålen och titta inte direkt på den genom optiska instrument.

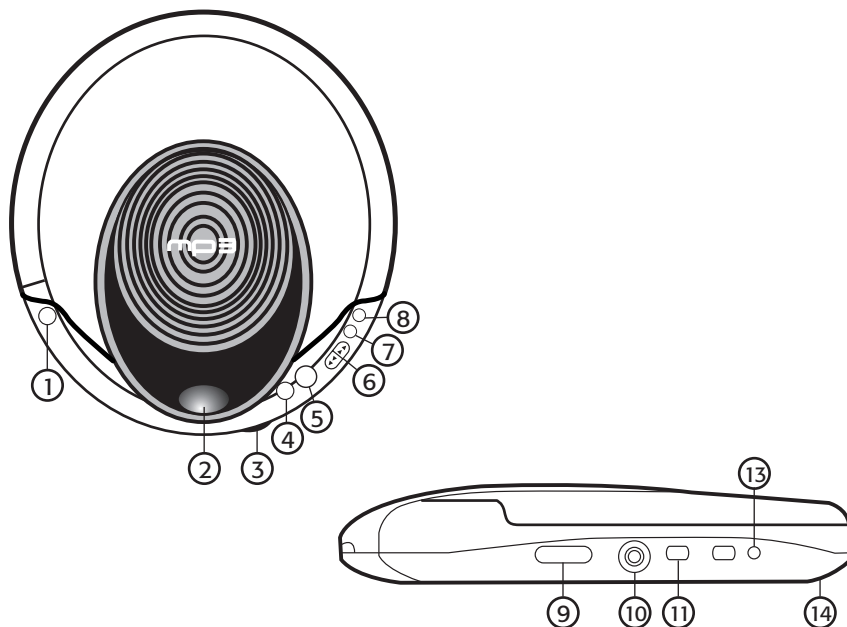
1. Säkerhetsföreskrifter

- Produkten får endast repareras av kvalificerad servicepersonal.
- Produkten får inte demonteras eller ändras.
- Placera inte produkten så att den kan falla ner i vatten eller annan vätska. Ställ inte några föremål som innehåller vätska på produkten, t.ex. blomvas eller läskedryck.
- Demontera inte spelaren, laserstrålen som används för att läsa skivorna kan skada ögonen.
- Stick inte in främmande föremål i cd-spelaren. Den är försedd med en säkerhets-anordning som stänger av laserstrålen automatiskt när cd-luckan öppnas men den kan avaktiveras om något metallföremål eller annat främmande föremål förs in i spelaren.
- Utsätt inte spelaren för stötar eller vibrationer.
- Placera inte spelaren på platser som har hög temperatur, spelarens hölje kan skadas av hög värme t.ex. i direkt solljus, nära värmeelement eller om den lämnas i en bil på sommaren.
- Använd endast spelaren i temperaturer mellan 5 °C och 35 °C och aldrig på platser som är fuktiga eller dammiga.
- Skydda din hörsel, lyssning med hög volym under lång tid kan leda till bestående hörselskador.
- Använd inte cd-spelaren i något fordon så att du tappar koncentrationsförmågan på trafiken runt omkring dig.

2. Förpackningen innehåller

- Cd-spelare
- Stereohörlurar
- Bruksanvisning

3. Kontroller och funktioner



1. ▲ Öppning av cd-luckan
2. Display
3. [ASP/DIR] Antiskakminne och albumval (vid lyssning på mp3)
4. ■ Stoppa uppspelning, tryck in två gånger för att stänga av cd-spelaren.
5. ►|| Slå på cd-spelaren, starta uppspelning eller gör paus i uppspelningen.
6. I◀◀ / ▶▶I Gå till föregående spår/snabbsökning, Gå till nästa spår/snabbsökning.
7. [MODE] Funktionsväljare
8. [PRG] Programmera uppspelning
9. [VOLUME] Volyminställning
10. [PHONE] Anslutning för hörlurar (Ø 3,5 mm)
11. [DBBS] Ökar basåtergivningen
12. [HOLD] Knapplås
13. [DC 4.5V] Anslutning för batterieliminators (4,5 V + i centrum) (medföljer ej)
14. Batterifack (på undersidan)

4. Batterier

Sätt i 2 st. LR6 (AA) batterier (ingår ej) i batterifacket enligt märkningen.

Batteritips

1. Använd alltid två batterier av samma typ, blanda aldrig nya och använda batterier vid byte.
2. Var noga med polariteten när batterierna sätts in i batterifacket, om något batteri blir felvänt kan det orsaka läckage.
3. Demontera inte batterierna och utsätt dem inte för hög värme. Släng inte batterierna i elden!

Batterieliminators


Det går också att använda en batterieliminators (medföljer ej): 4.5VDC, 700mA, DC-propp med + i centrum.

Obs! Kontrollera att batterieliminators har rätt spänning och polaritet innan inkoppling, annars kan cd/mp3-spelaren och batterieliminators förstöras vilket ej täcks av garantin.

Använd alkaliska batterier av typen LR6.

Använd inte brunstensbatterier, p.g.a. att de har lägre kapacitet vilket ger kort speltid på cd-spelaren, laddningsbara batterier ger lägre spänning från början (1,2 V mot 1,5 V) och ger därför också kortare speltid.

Batterivarning

1. Om batterisymbolen  visas på displayen, är batterierna dåliga, byt batterier eller använd batterieliminators (batterieliminators medföljer ej).
2. Om inget visas på displayen - inga nummer visas när du trycker på ►|| (5) – så är batterierna slut. Byt ut dem eller använd batterieliminators. Kontrollera också att du vänt batterierna rätt med plus (+) och minus (-) enligt markeringen i batterifacket.

5. Användning

1. Tryck på ▲ (1) för att öppna cd-locket.
2. Tryck fast en skiva på spindeln, med etikettsidan uppåt (ett klick hörs när skivan glider ner till rätt läge).
3. Stäng cd-locket och anslut hörlurarna till **[PHONE]**-uttaget (10).
4. Tryck på ►► (5) för att slå på cd-spelaren och starta uppspelningen av det första spåret. Kom ihåg att det tar en stund innan uppspelningen startar, antiskakminnet måste läsa in skivan först! **Cd 40 sec** visas på displayen under inläsningen.
5. Det totala antalet spår på skivan visas på displayen och uppspelningen startar med det första spåret. Justera volymen med **[VOLUME]** (9).
6. Välj önskat spår:

Cd

Tryck till på ◀◀ eller ▶▶ (6) för att hoppa till föregående/nästa spår, tryck och håll in någon av knapparna för att snabbspola bakåt/framåt i den pågående uppspelningen.

Mp3

Välj önskat album (mapp) genom att trycka på **[ASP/DIR]** (3).


Tryck till på ◀◀ eller ▶▶ (6) för att hoppa till föregående/nästa spår, tryck och håll in någon av knapparna för att snabbspola bakåt/framåt i den pågående uppspelningen.

7. Tryck en gång på ▶◐ (5) för att göra paus i pågående uppspelning, tryck en gång till på ▶◐ för att fortsätta uppspelningen.
8. Tryck på ■ (4) en gång för att stoppa uppspelningen.
9. Tryck två gånger på ■ för att stänga av cd-spelaren direkt.


6. Uppspelningsfunktioner; repetering, introduktion och slumpvis uppspelning

Repetition

Cd

1. Tryck på **[MODE]** (7) en gång för att repetera det pågående spåret om och om igen,  visas på displayen tills du trycker in **■** (4), eller upprepade gånger på **[MODE]** tills cd-spelaren återgår till normal uppspelning (ursprungsläget).
2. Tryck på **[MODE]** (7) två gånger för att repetera alla spåren som finns på skivan om och om igen, **ALL** visas på displayen tills du trycker in **■** (4).

Mp3

1. Tryck på **[MODE]** (7) en gång för att repetera det pågående spåret om och om igen,  visas på displayen tills du trycker in **■** (4), eller upprepade gånger på **[MODE]** tills cd-spelaren återgår till normal uppspelning (ursprungsläget).
2. Tryck på **[MODE]** (7) två gånger för att repetera alla spåren som finns i mappen (albumet) om och om igen, **ALBUM** visas på displayen tills du trycker på **■** (4).
3. Tryck på **[MODE]** (7) tre gånger för att repetera alla spåren som finns på hela skivan om och om igen, **ALL ALBUM** visas på displayen tills du trycker på **■** (4).

Kort introduktion för alla spår (Intro Play)

Lyssna till de första 10 sekunderna på alla spår.

1. Tryck på **[MODE]** (7) flera gånger tills **INTRO** visas på displayen.
2. Tryck en gång på **▶ II** (5) för att för att starta uppspelning av de första sekunderna på alla spåren som finns på skivan.
3. Tryck på **[MODE]** (7) för att återgå till normalt uppspelningsläge.

Uppspelning i slumpvis ordning (Random)

Lyssna till alla spår i slumpvis ordning.

1. Tryck på **[MODE]** (7) flera gånger tills **RAND** visas på displayen.
2. Tryck en gång på **▶ II** (5) för att för att starta uppspelning i slumpvis ordning av alla spåren som finns på skivan.
3. Tryck på **[MODE]** (7) för att återgå till normalt uppspelningsläge.

7. Programmerad uppspelning

Spåren på skivan kan programmeras för uppspelning i vilken ordning som helst. På det sättet kan du programmera max. 20 spår.

Cd

1. Tryck på knappen **[PRG]** (8) när spelaren står i stoppläge. Spårvalet blinkar på displayen.
2. Välj önskat första spår som ska programmeras med knapparna **◀◀** eller **▶▶** (6).
3. Tryck på **[PRG]** för att bekräfta inställning.
4. Det första spåret är nu lagrat i minnet. Programnumret slår om till **P 02** och väntar på ditt nästa val.
5. Upprepa punkterna 2 till 3 för ytterligare inprogrammering av extra spår.
6. Tryck på knappen **▶▶** (5) för att starta uppspelningen efter avslutad programmering.
7. **PRG** visas på displayen och avspelingen startar från det första inprogrammerade spåret.
8. Tryck på **■** (4) två gånger för att avsluta uppspelningen.
9. Cd-spelaren stannar automatiskt när alla programmerade spår har spelats. De programmerade spåren finns lagrade i minnet tills du öppnar skivfacket eller tills strömmen slås av.

Mp3

1. Tryck på knappen **[PRG]** (8) när spelaren står i stoppläge. Album/mapp-siffran blinkar på displayen.
2. Välj önskat album (mapp) med knapparna **◀◀** eller **▶▶** (6).
3. Tryck på **[PRG]** för att bekräfta valet.
4. Välj önskat spår i mappen med knapparna **◀◀** eller **▶▶**.
5. Tryck på **[PRG]** för att bekräfta valet.
6. Det första spåret är nu lagrat i minnet. Programnumret slår om till **02** och väntar på ditt nästa val.
7. Upprepa punkterna 2 till 5 för ytterligare inprogrammering av extra spår.
8. Tryck på knappen **▶▶** (5) för att starta uppspelningen efter avslutad programmering.
9. **PRG** visas på displayen och avspelingen startar från det första inprogrammerade spåret.
10. Tryck på **■** (4) två gånger för att avsluta uppspelningen.
11. Cd-spelaren stannar automatiskt när alla programmerade spår har spelats. De programmerade spåren finns lagrade i minnet tills du öppnar skivfacket eller tills strömmen slås av.

8. DBBS

DBBS ökar basåtergivningen vid lyssning, ställ in volymreglaget på låg volym innan du aktiverar denna funktion. Vissa skivor kan ge dåligt ljud med DBBS beroende på inspelningen, stäng då av DBBS-funktionen.

Obs! Lyssning i hörlurar med hög volym kan ge permanenta hörselskador.

9. HOLD

HOLD är ett knapplås som kan aktiveras för att förhindra Start/Stopp ofrivilligt under uppspelning om du kommer åt någon av knapparna. Denna funktion är bra att använda om du har spelaren i en ficka eller väska vid uppspelning.

10. ASP/DIR (Antiskip)

Denna funktion startar automatiskt när spelaren startas, **Cd 40 sec** visas på displayen.

- Antiskakfunktion bygger på ett halvledarminne för att hindra ljudet från att hoppa när spelaren utsätts för stötar och vibrationer under spelning, minnet är 40 sekunder för cd-skiva och 120 sekunder för mp3-skiva.
- När cd-skivan börjar spela kopplas buffertminnet in. Musikens digitala data lagras i en framåtlagrad minnesbuffert innan den är avkodad och börjar spelas.
- När spelaren råkar ut för en skakning av något slag under spelningen så fortsätter minnesinnehållet att avkodas och spelas. På så sätt får pickupen tid på sig att stabiliseras och fortsätta med att läsa in nya data senare.

Tryck in knappen **ASP/DIR** (3) under uppspelning om du vill stoppa denna funktion.

11. Rengöring

Rengöring av pickuplinsen

Damm på pickuplinsen kan leda till hackigt ljud och dålig funktion.

- Öppna cd-locket och blås bort dammet med hjälp av en sprayburk med luft av samma typ som används för renblåsning av kameror och objektiv.
- Det finns också speciella cd-skivor i fackhandeln som är avsedda till att användas vid rengöring av pickuplinsen.

12. Rengöring av spelarens hölje

- Använd en mjuk tvättduk som fuktats med vanligt ljumt vatten och sedan vridits ur.
- Använd aldrig alkohol, bensin eller andra starka lösningsmedel eftersom de kan förstöra plastytan.
- Det är viktigt att det inte kommer in någon vätska i cd-spelaren.

13. Tänk på detta om spelaren utsätts för temperaturförändring!

Kondens på laserpickupens inre komponenter kan tillfälligt försämra spelarens funktioner.

Kondensering kan ske vid dessa tillfällen:

- När du tar in spelaren utifrån i ett varmt rum eller om den står i ett kallt rum som uppvärms snabbt.
- På sommaren om du tar in spelaren till ett varmt eller fuktigt ställe från ett utrymme med luftkonditionering (bil eller rum).

Om kondensering har uppstått:

- Vänta i 1 – 2 timmar så att spelaren hinner anta omgivningens temperatur innan den används, öppna cd-locket så går det snabbare.

Varning! Utsätt inte spelaren för dropp eller stänk och ställ inga föremål som innehåller vätska på spelaren t.ex. vaser eller läskburkar.

Tänk på att spelaren behöver ventilation för att inte överhettas.

14. Felsökning, symptom, orsak och åtgärd

Symptom	Orsak	Åtgärd
Cd-spelaren startar inte, knapparna fungerar inte.	Dåliga batterier.	Byt batterier.
Skivan spelas inte.	<ol style="list-style-type: none"> 1. Cd-skivan är fel insatt i spelaren. 2. Felaktig eller fel typ av cd-skiva. 3. Cd-luckan är inte stängd. 4. Kondens på pickuplinsen 	<ol style="list-style-type: none"> 1. Vänd på cd-skivan. 2. Prova en annan cd-skiva (spelaren kan inte läsa dvd eller data-cd). 3. Kontrollera att cd-luckan är låst. 4. Ta ut cd-skivan och lämna luckan öppen en timme för att kondensen ska försvinna.
Inget ljud från hörlurarna.	<ol style="list-style-type: none"> 1. Hörlursproppen är inte rätt isatt. 2. Volymkontrollen är inställd på "0". 3. Dåliga batterier. 4. Felaktig cd-skiva. 	<ol style="list-style-type: none"> 1. Prova att trycka i proppen igen. 2. Öka volymen. 3. Byt batterier. 4. Byt cd-skiva.
"Er" visas på displayen istället för totala antalet spår.	Felaktig skiva.	Byt skiva.
Ljudet försvinner då och då.	<ol style="list-style-type: none"> 1. Damm/smuts på pickuplinsen eller skivan. 2. Mycket vibrationer. 	<ol style="list-style-type: none"> 1. Rengör pickuplinsen med en "Renblåsare" (kameratillbehör), rengör eller byt skiva. 2. Placera cd-spelaren på ett annat underlag.
Dåligt ljud.	<ol style="list-style-type: none"> 1. För hög volym. 2. Dåliga batterier. 	<ol style="list-style-type: none"> 1. Minska ljudvolymen. 2. Byt batterier, använd en batterieliminatör.
Displayen läser sig eller visar konstiga tecken.	Tillfälligt fel i program eller elektronik.	Ta ur batterierna (och ev. ansluten batterieliminatör), vänta i ca 15 sekunder och sätt i dem igen, kontrollera att batterierna som används är bra.



15. Avfallshantering

När du ska göra dig av med produkten ska detta ske enligt lokala föreskrifter. Är du osäker på hur du ska gå tillväga, kontakta din kommun.

16. Specifikationer

Hörlursutgång:	20 mW + 20 mW (32 Ohm)
Strömförsörjning:	Batterier: 2 x LR6 (medföljer ej) Batterieliminatör: 4.5 V DC 700 mA DC-propp med (+) i centrum (medföljer ej)
Storlek:	150 x 135x 30 mm (d x b x h)
Vikt:	Ca 270 g (utan batterier)
Frekvensområde:	50 Hz – 20 kHz (inom +1/-2dB)
Samplingsfrekvens:	44.1 kHz (8 gångers översampling)
D/A converter:	1-bit

CD/MP3-spiller

Artikkelnummer: 38-2705

Modell: MP-CD521

Les igjennom hele bruksanvisningen før bruk, og ta vare på den for framtidig bruk. Vi reserverer oss mot ev. tekst- og bildefeil, samt forandringer av tekniske data. Ved tekniske problemer eller andre spørsmål, ta kontakt med vårt kundesenter. (Se opplysninger om kundesenteret her i denne bruksanvisningen).

Les bruksanvisningen og advarselsteksten på spilleren før du begynner å bruke den. Legg merke til disse sikkerhetssymbolene:



Advarsel! Åpne ikke dekselet. Farlig spenning ligger ubeskyttet på komponenter under produktets deksel, og kontakt med disse kan føre til brann eller gi elektrisk støt.



KLASSE 1 LASERAPPARAT

Advarsel! Åpne ikke dekselet. Usynlig laserstråling som kan forårsake øyeskader. Rett ikke blikket mot strålen, og se ikke rett på den gjennom optiske instrumenter.

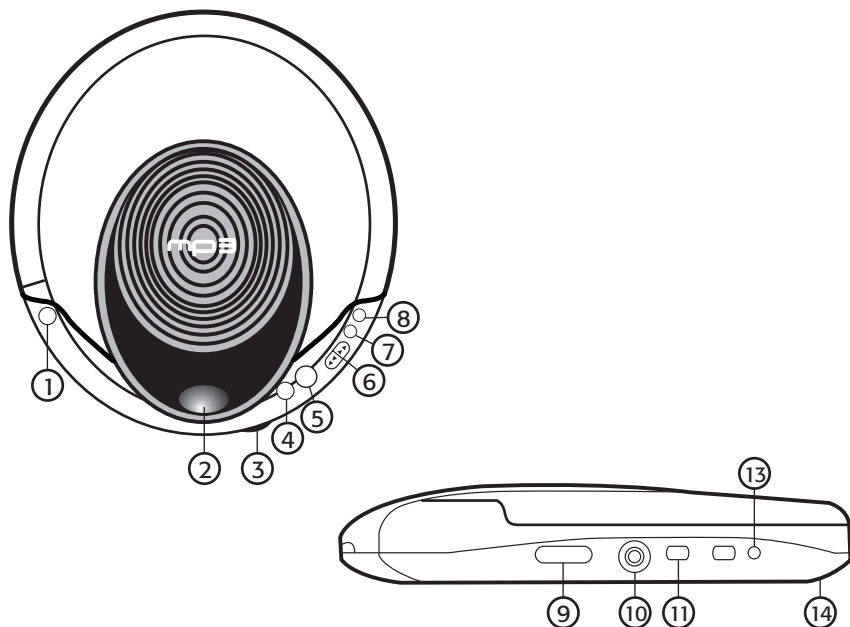
1. Sikkerhetsforskrifter

- Produktet må kun repareres av kvalifisert servicepersonell.
- Produktet må ikke demonteres eller endres.
- Plasser ikke produktet slik at det kan falle ned i vann eller annen væske. Plasser aldri produktet i nærheten av gjenstander, som kan forårsake at vann eller annen væske skylles over produktet. Dette gjelder f.eks. blomstervase eller leskedrikk.
- Demonter ikke spilleren, laserstrålen som brukes for å lese platene kan skade øynene.
- Stikk ikke fremmede gjenstander inn i CD-spilleren. Den er utstyrt med en sikkerhetsanordning som slår av laserstrålen automatisk når CD-luken åpnes, men den kan deaktiveres dersom en metallgjenstand eller en annet fremmed gjenstand føres inn i spilleren.
- Utsett ikke spilleren for støt eller vibrasjoner.
- Plasser ikke spilleren på steder med høy temperatur. Spillerens deksel kan skades av høy varme f.eks. i direkte sollys, nær varmeelement eller hvis den legges i en bil på sommeren.
- Bruk kun spilleren i temperaturer mellom 5 °C og 35 °C, og aldri på plasser som er fuktige eller støvete.
- Beskytt hørselen. Lytting med høyt volum over lang tid kan føre til vedvarende hørselsskader.
- Bruk ikke CD-spilleren i noen kjøretøy, så du mister konsentrasjonen på trafikken rundt deg.

2. Forpakningen inneholder

- CD-spiller
- Stereohodetelefoner
- Bruksanvisning

3. Kontroller og funksjoner



1. ▲ Åpning av CD-luken
2. Display
3. [ASP/DIR] Risteminne og albumvalg (ved lytting på MP3)
4. ■ Stopp avspilling, trykk to ganger for å skru av CD-spilleren.
5. ►|| Slå på CD-spilleren, start avspilling eller ta pause i avspillingen.
6. ◀◀◀ / ▶▶▶ Gå til foregående spor/hurtigsøk/gå til neste spor/hurtigsøk.
7. [MODE] Funksjonsvelger
8. [PRG] Programmer avspilling
9. [VOLUME] Voluminnstilling
10. [PHONE] Tilkobling for headset (Ø 3,5 mm)
11. [DBBS] Øker bassgjengivingen
12. [HOLD] Tastelås
13. [DC 4.5V] Tilkobling for batterieliminatør (4,5 V + i sentrum), (medfølger ikke)
14. Batteriluke (på undersiden)

4. Batterier

Sett i 2 stk. LR6 (AA)-batterier (medfølger ikke). Følg anvisning i bunnen av batteriluken.

Batteritips

1. Bruk alltid to batterier av samme type. Bland aldri nye og brukte batterier.
2. Vær nøye med polariteten når batteriene settes inn i batteriholderen. Hvis et batteri blir plassert galt, kan det forårsake lekkasje.
3. Demonter ikke batteriene og utsett dem ikke for høy varme. Kast ikke batteriene i peisen!

Batterieliminatør


Du kan også bruke batterieliminatør (medfølger ikke): 4.5 V DC 700 mA DC-plugg med + i sentrum.

Obs! Kontroller at batterieliminatøren har riktig spenning og polaritet før innkobling, i motsatt tilfelle kan CD/MP3-spilleren og batterieliminatøren ødelegges noe som ikke dekkes av garantien.

Bruk alkaliske batterier av typen LR6.

Bruk ikke brunstensbatterier. De har lavere kapasitet, og det fører til kortere spilletid på CD/MP3-spilleren. Ladbare batterier gir lavere spenning fra begynnelsen (1,2 V mot 1,5 V) og gir således også kortere spilletid.

Batterivarsling

1. Dersom batterisymbolet  vises i displayet, er batteriene dårlige. Skift batterier eller bruk batterieliminatør (batterieliminatør medfølger ikke).
2. Dersom det ikke vises noe i displayet - ingen nummer vises når du trykker på ►|| (5) – så er batteriene brukt opp. Skift dem, eller bruk batterieliminatør. Kontroller også at du har lagt batteriene riktig vei med pluss (+) og minus (-) som vist på markeringen i batteriholderen.

5. Bruk

1. Trykk på ▲ (1) for å åpne CD-lokket.
2. Sett en plate fast på spindelen, med etikettsiden opp (et klikk høres når platen festes i riktig posisjon).
3. Lukk igjen CD-lokket og koble hodetelefonene til **[PHONE]**-uttaket (10).
4. Trykk på ►|| (5) for å slå på CD-spilleren og starte avspillingen av det første sporet. Vær oppmerksom på at det tar en stund før avspillingen starter. Risteminnet må lese inn platen først! **CD 40 sec** vises i displayet under innlesningen.
5. Det totale antallet spor på platen vises i displayet og avspillingen starter med det første sporet. Juster volumet med **[VOLUME]** (9).
6. Velg ønsket spor:

CD

Trykk på I◀◀ eller ▶▶I for å hoppe til foregående/neste spor. Trykk og hold inne en av knappene for å hurtigspole bakover/framover i den pågående avspillingen.

MP3

Velg ønsket album (mappe) ved å trykke på **[ASP/DIR]**.


Trykk på I◀◀ eller ▶▶I for å hoppe til foregående/neste spor. Trykk og hold inne en av knappene for å hurtigspole bakover/framover i den pågående avspillingen.

7. Trykk en gang til på ▶|| for å ta pause i pågående avspilling, trykk en gang til på ▶|| for å fortsette avspillingen.
8. Trykk på ■ (4) en gang for å stoppe avspillingen.
9. Trykk to ganger på ■ for å slå av CD-spilleren med en gang.


6. Avspillingsfunksjoner; repetering, introduksjon og avspilling i tilfeldig rekkefølge

Repetisjon

CD

1. Trykk på **[MODE]** (7) en gang for å repetere det pågående sporet om og om igjen,  vises i displayet til du trykker inn **■** (4), eller gjentatte ganger på **[MODE]** til CD-spilleren går tilbake til normal avspilling (utgangsposisjonen).
2. Trykk på **[MODE]** (7) to ganger for å repetere alle sporene som er på platen om og om igjen. **ALL** vises i displayet til du trykker inn **■** (4).

MP3

1. Trykk på **[MODE]** (7) en gang for å repetere det pågående sporet om og om igjen,  vises i displayet til du trykker inn **■** (4), eller gjentatte ganger på **[MODE]** til CD-spilleren går tilbake til normal avspilling (utgangsposisjonen).
2. Trykk på **[MODE]** (7) to ganger for å repetere alle sporene som er i mappen (albumet) om og om igjen. **ALBUM** vises i displayet til du trykker på **■** (4).
3. Trykk på **[MODE]** (7) tre ganger for å repetere alle sporene som er på platen om og om igjen. **ALL ALBUM** vises i displayet til du trykker inn **■** (4).

Kort introduksjon av alle spor (Intro Play)

Hør på de første 10 sekundene på hvert spor.

1. Trykk på **[MODE]** (7) gjentatte ganger til **INTRO** vises i displayet.
2. Trykk en gang til på **▶||** (5) for å starte avspilling av de første sekundene på alle sporene som finnes på platen.
3. Trykk på **[MODE]** (7) for å gå tilbake til normal avspilling.

Avspilling i tilfeldig rekkefølge (Random)

Hør på alle spor i tilfeldig rekkefølge.

1. Trykk på **[MODE]** (7) gjentatte ganger til **RAND** vises i displayet.
2. Trykk en gang på **▶||** (5) for å starte avspilling i tilfeldig rekkefølge av alle sporene som finnes på platen.
3. Trykk på **[MODE]** (7) for å gå tilbake til normal avspilling.

7. Forhåndsprogrammert avspilling

Sporene på platen kan programmeres inn for spilling i den rekkefølgen som du selv ønsker. På denne måten kan du programmere maks. 20 spor.

CD

1. Trykk på knappen **[PRG]** (8) når spilleren er av. Sporvalget blinker i displayet.
2. Velg ønsket første spor som skal programmeres med knappene **◀◀** eller **▶▶**.
3. Trykk på **[PRG]** for å bekrefte innstilling.
4. Det første sporet er nå lagret i minnet. Programnummeret slår om til **"P 02"** og venter på ditt neste valg.
5. Gjenta punktene 2 til 3 for ytterligere innprogrammering av ekstra spor.
6. Trykk på **▶||** (5) for å starte den avspillingen etter avsluttet programmering.
7. **PRG** lyser i displayet, og avspillingen starter fra det første innprogrammerte sporet.
8. Trykk på **■** (4) to ganger for å avslutte avspillingen.
9. CD-spilleren stopper automatisk når alle programmerte spor er spilt. De programmerte sporene er lagret i minnet til du åpner plateskuffen eller til strømmen slås av.

MP3

1. Trykk på knappen **[PRG]** (8) når spilleren er av. Album/mappe -sifferet blinker i displayet.
2. Velg ønsket album (mappe) med knappene **◀◀** eller **▶▶**.
3. Trykk på **[PRG]** for å bekrefte valget.
4. Velg ønsket spor i mappe med knappene **◀◀** eller **▶▶**.
5. Trykk på **[PRG]** for å bekrefte valget.
6. Det første sporet er nå lagret i minnet. Programnummeret slår om til **"02"** og venter på ditt neste valg.
7. Gjenta punktene 2 til 5 for ytterligere innprogrammering av ekstra spor.
8. Trykk på **▶||** (5) for å starte den avspillingen etter avsluttet programmering.
9. **PRG** lyser i displayet, og avspillingen starter fra det første innprogrammerte sporet.
10. Trykk på **■** (4) to ganger for å avslutte avspillingen.
11. CD-spilleren stopper automatisk når alle programmerte spor er spilt. De programmerte sporene er lagret i minnet til du åpner plateskuffen eller til strømmen slås av.

8. DBBS

DBBS øker bassgjengivelsen. Still inn volumreguleringen på lavt volum før du aktiverer denne funksjon. Visse plater kan gi dårlig lyd med DBBS, avhengig av avspillingen, slå da av DBBS-funksjonen.

Obs! Lytting i hodetelefoner med høyt volum kan gi permanente hørselsskader.

9. HOLD

HOLD er en tastelås som kan aktiveres for å forhindre Start/Stopp ufrivillig under avspilling, dersom du ved et uhell trykker på en av knappene. Denne funksjonen er fin å bruke dersom du har spilleren i lommen eller vesken ved avspilling.

10. ASP/DIR (Antiskip)

Denne funksjonen starter automatisk når spilleren startes. **CD 40 sec** vises i displayet.

- Risteminnnet hindrer fra å hoppe når spilleren utsettes for støt og vibrasjoner under avspilling. Minnet er 40 sekunder for CD-plate, og 120 sekunder for MP3-plate.
- Når CD- platen starter å spille kobles buffertminne inn. Musikkens digitale data lagres i en minnebuffer før den avkodes og begynner å spille.
- Når spilleren blir utsatt for sterke rystelser ved avspilling, vil minneinnholdet fortsette å avkodes og musikken spilles. På denne måten får pickupen tid på seg til å stabilisere seg og fortsette med å lese inn nye data senere.

Trykk inn knappen **ASP/DIR** (3) under avspilling, dersom du ønsker å stoppe denne funksjonen.

11. Rengjøring

Rengjøring av pickuplinsen

Støv på pickuplinsen kan føre til hakking i lyden og dårlig funksjon.

- Åpne CD-lokket og blås bort støvet med hjelp av en sprayboks med luft av den typen som brukes til kameraer og objektiver.
- Det finnes også spesielle CD-plater i faghandelen som er beregnet til å brukes ved rengjøring av pickuplinsen.

12. Rengjøring av spillerens deksel

- Bruk en myk klut, som er fuktet med vanlig lunkent vann og deretter vridd opp.
- Bruk aldri alkohol, bensin eller sterke løsemidler, da de kan ødelegge plastflaten.
- Det er viktig at det ikke kommer inn væske i CD-spilleren.

13. Husk på følgende dersom spilleren blir utsatt for temperaturforandringer!

Kondens på laserpickupens indre komponenter kan midlertidig svekke spillerens funksjoner.

Kondensering kan skje ved disse tilfellene:

- Når du tar inn spilleren utenfra og inn i et varmt rom, eller hvis den står i et kaldt rom som varmes opp hurtig.
- På sommeren hvis du tar inn spilleren til et varmt eller fuktig sted fra et sted med luftkondisjonering (bil eller rom).

Dersom kondensering har oppstått:

- Vent i 1 – 2 timer så spilleren får tilbake omgivelsenes temperatur før den brukes, åpne CD-lokket så går det hurtigere.

Advarsel! Utsett ikke spilleren for vann eller søl og plasser ikke gjenstander som inneholder væske på spilleren f.eks. vaser eller drikke.

Husk at spilleren trenger ventilasjon for å ikke overopphetes.

14. Feilfunksjon, symptom, årsak og tiltak

Symptom	Årsak	Tiltak
CD-spilleren starter ikke, knappene fungerer ikke.	Dårlige batterier.	Skift batteri.
Platen spilles ikke.	<ol style="list-style-type: none"> 1. CD-platen er satt inn feil i spilleren. 2. Feil type CD-plate. 3. CD-luken er ikke stengt. 4. Kondens på pickuplinsen. 	<ol style="list-style-type: none"> 1. Snu CD-platen. 2. Prøv en annen CD-plate (spilleren kan ikke lese DVD eller data-CD) 3. Kontroller at CD-luken er låst. 4. Ta ut CD-platen og la luken stå oppe en time for at kondensen skal forsvinne.
Ingen lyd i hodetelefonene!	<ol style="list-style-type: none"> 1. Hodetelefonpluggen er ikke riktig satt i. 2. Volumkontrollen står på "0". 3. Dårlige batterier. 4. Feil CD-plate. 	<ol style="list-style-type: none"> 1. Prøv å sette inn proppen igjen. 2. Hev volumet. 3. Skift batteri. 4. Bytt CD-plate.
"Er" vises i displayet istedenfor det totale antall spor.	Feil plate	Bytt plate
Lyden forsvinner av og til.	<ol style="list-style-type: none"> 1. Støv/smuss på pickuplinsen eller platen 2. Kraftige vibrasjoner 	<ol style="list-style-type: none"> 1. Rengjør pickuplinsen med en "Renblåser" (kameratilbehør), rengjør eller bytt plate. 2. Plasser CD-spilleren på et annet underlag
Dårlig lyd	<ol style="list-style-type: none"> 1. Redusere lydvolümet. 2. Bytt batterier, bruk en batterieliminatør. 	<ol style="list-style-type: none"> 1. For høyt volum 2. Dårlige batterier
Displayet låser seg eller viser merkelige tegn	Midlertidig feil i program eller elektronikk.	Ta ut batteriene (og ev. tilkoblet batterieliminatør), vent i ca. 15 sekunder og sett dem tilbake igjen. Kontroller at batteriene som brukes er bra.



15. Avfallshåndtering

Sorter avfallet og la det gå til gjenvinning istedenfor å kaste det. Alle maskiner, elektriske komponenter og emballasje skal sorteres og håndteres i henhold til lokale miljøforskrifter.

16. Spesifikasjoner

Hodetelefonutgang:	20 mW + 20 mW (32 Ohm)
Strømforsyning:	Batterier: 2 x LR6 (medfølger ikke)
Batterieliminatør:	4.5 V DC 700 mA DC-plugg med (+) i sentrum (medfølger ikke)
Størrelse:	150 x 135 x 30 mm (d x b x h)
Vekt:	Ca. 270 g (uten batterier)
Frekvensområde:	50 Hz – 20 kHz (innen +1/-2 dB)
Samplingsfrekvens:	44.1 kHz (8 gangers oversampling)
D/A converter:	1-bit

Cd-/mp3-soitin

Tuotenumero: 38-2705

Malli: MP-CD521

Lue käyttöohjeet ennen tuotteen käyttöönottoa. Säilytä käyttöohjeet tulevaa tarvetta varten. Pidätämme oikeuden teknisten tietojen muutoksiin. Emme vastaa mahdollisista teksti- tai kuvavirheistä. Jos laitteeseen tulee teknisiä ongelmia, ota yhteys myymälään tai asiakaspalveluun (yhteystiedot käyttöohjeen lopussa).

Lue käyttöohje ja soittimen varoitustekstit huolellisesti ennen laitteen käyttöönottoa. Huomioi seuraavat turvallisuussymbolit.



Varoitus! Älä avaa laitteen koteloa! Kotelon sisällä on vaarallista jännitettä sisältäviä suojaamattomia komponentteja, jotka voivat aiheuttaa sähköiskun.



LUOKAN 1 LASERLAITE

Varoitus! Älä avaa laitteen koteloa! Näkymätön lasersäde voi aiheuttaa silmävaurioita. Älä katso säteeseen edes optisten instrumenttien läpi.

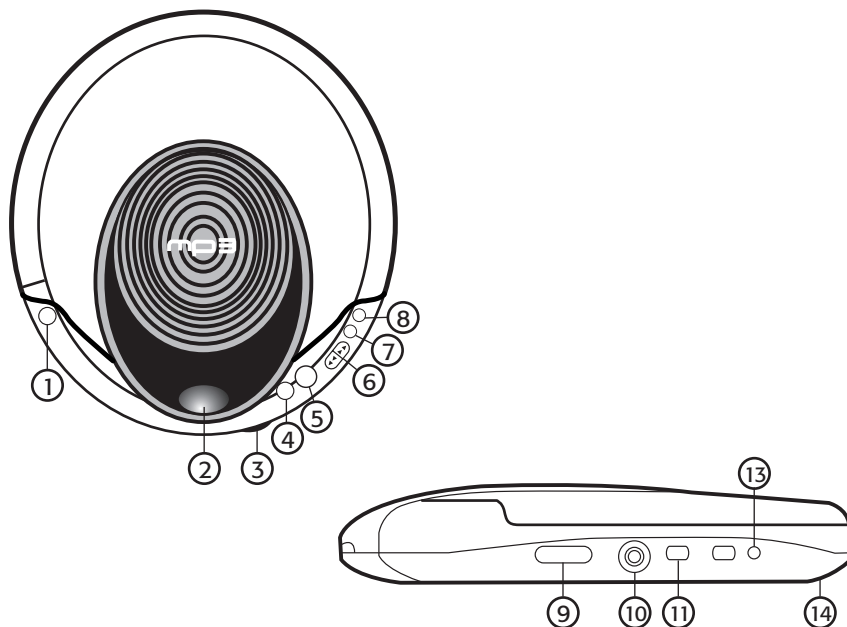
1. Turvallisuusohjeita

- Laitteen saa korjata vain valtuutettu huoltoliike.
- Älä pura tai muuta laitetta.
- Älä sijoita laitetta sellaiseen paikkaan, josta se voi tippua veteen tai muuhun nesteeseen. Älä pane laitteen päälle nesteitä sisältäviä esineitä, kuten maljakoita tai limsapulloja.
- Älä pura laitetta osiin. Laitteen laserlukupään säde saattaa vaurioittaa silmiä.
- Älä aseta mitään vieraita esineitä cd-soittimen sisään. Vieraat metalliesineet laitteen sisällä saattavat vaurioittaa laitteen turvajärjestelmää, joka sulkee lasersäteen kannen ollessa auki.
- Älä altista tuotetta iskuille tai tärähdyksille.
- Älä sijoita soitinta paikoille, joissa lämpötila nousee liian korkeaksi (esim. suora auringonpaiste, lämpöelementtien läheisyys tai lämpimällä säällä pysäköity auto, jonka ikkunat ovat kiinni).
- Käytä soitinta ainoastaan 5–35 °C:een lämpötilassa. Älä käytä soitinta kosteissa ja pölyisissä paikoissa.
- Pitkäaikainen altistuminen kovalle äänenvoimakkuudelle saattaa aiheuttaa pysyviä kuulovaurioita.
- Älä käytä cd-soitinta kulkuneuvossa siten, että huomiosi siirtyy pois liikenteestä.

2. Pakkauksen sisältö

- Cd-soitin
- Stereokuulokkeet
- Käyttöohje

3. Toiminnot



1. ▲ Cd-luukun avaaminen
2. Näyttö
3. [ASP/DIR] Puskurimuisti ja albumin valinta (mp3-toistossa).
4. ■ Toiston pysäyttäminen, paina kaksi kertaa sammuttaaksesi cd-soittimen.
5. ►|| Cd-soittimen käynnistys, toiston aloittaminen, tauko.
6. ◀◀ / ▶▶ Palaa edelliseen raitaan/pikahaku, Siirry seuraavaan raitaan/pikahaku.
7. [MODE] Toiminnonvalitsin
8. [PRG] Ohjelmoitu toisto
9. [VOLUME] Äänenvoimakkuus
10. [PHONE] Kuulokeliitäntä (Ø 3,5 mm)
11. [DBBS] Lisäbasso
12. [HOLD] Näppäinlukitus
13. [DC 4.5V] Muuntajan liitäntä (4,5 V + keskellä), muuntaja ei sisälly pakkaukseen
14. Paristolokero (alapuolella)

4. Paristot

Laita lokeroon kaksi LR6/AA-paristoa (eivät sisälly) paristolokeron merkintöjen mukaisesti.

Paristovinkkejä

1. Käytä aina kahta samantyyppistä paristoa. Älä sekoita uusia ja vanhoja paristoja keskenään.
2. Ole tarkkana paristojen napaisuuden suhteen. Paristojen asettaminen laitteeseen väärin päin saattaa johtaa paristojen vuotamiseen.
3. Älä pura paristoja tai altista niitä kuumuudelle. Älä hävitä paristoja polttamalla!

Muuntaja


Soittimen virtalähteenä voidaan käyttää myös muuntajaa (ei sisälly): 4.5VDC 700mA DC-pistoke, + keskellä.

Huom.! Varmista ennen liittämistä, että muuntajassa on oikea jännite ja napaisuus. Vääränlainen muuntaja saattaa vahingoittaa soitinta, eivätkä tällaiset vauriot kuulu takuun piiriin.

Käytä LR6-alkaliparistoja.

Älä käytä ruskokiviparistoja, sillä niiden alhainen kapasiteetti ei ole riittävä cd-soittimelle. Ladattavien akkujen jännite on myöskin pienempi, jonka vuoksi ne eivät kestä yhtä pitkään kuin alkaliparistot.

Paristovaroitus

1. Mikäli näytölle ilmestyy alhaisen paristotason symboli , vaihda paristot ja käytä muuntajaa.
2. Paristot ovat kokonaan tyhjä, jos näyttö pysyy pimeänä painaessasi ►|| –painiketta (5). Vaihda paristot tai ota muuntaja käyttöön. Tarkista myös että paristot ovat oikein päin, paristolokeron merkintöjen (+) ja (-) mukaisesti.

5. Käyttö

1. Avaa cd-luukku painamalla ▲ (1).
2. Paina levy kiinni kuvapuoli ylöspäin (kuulet napsahduksen, kun levy menee paikoilleen).
3. Paina cd-lokero kiinni ja liitä kuulokkeet [PHONE]-liitäntään (10).
4. Käynnistä soitin ja aloita toisto ensimmäisestä raidasta painamalla ►|| (5). Soiton alkamisessa kestää hetki, sillä puskurimuisti lukee levyn ensin! Lukemisen aikana näytöllä lukee **Cd 40 sec**.
5. Näytöllä näkyy raitojen kokonaismäärä, ja toisto alkaa ensimmäisestä raidasta. Säädä äänenvoimakkuus [VOLUME]-säätimellä (9).
6. Halutun raidan valinta:

Cd

Siirry edellisiin/seuraaviin raitoihin painamalla I◀◀ tai ▶▶I pikakelaa senhetkistä raitaa eteenpäin/taaksepäin pitämällä pohjassa I◀◀ tai ▶▶I.

Mp3

Valitse albumi (kansio) painamalla [ASP/DIR].


Siirry edellisiin/seuraaviin raitoihin painamalla I◀◀ tai ▶▶I pikakelaa senhetkistä raitaa eteenpäin/taaksepäin pitämällä pohjassa I◀◀ tai ▶▶I.

7. Pidä tauko toistossa painamalla ▶|| (5), jatka toistoa painamalla uudelleen ▶|| (5).
8. Paina ■ [4] pysäyttääksesi toiston.
9. Jos haluat sammuttaa soittimen heti, paina kahdesti ■.


6. Toistovaihtoehdot: uudelleentoisto, raitojen alun soittaminen ja satunnainen toisto

Uudelleentoisto

Cd

1. Uudelleentoista senhetkistä raitaa painamalla kerran [MODE] (7). Näytöllä lukee , kunnes palaat normaalitilaan painamalla ■ (4), tai useita kertoja [MODE].
2. Uudelleentoista levyn kaikki raidat painamalla kahdesti [MODE] (7). Näytöllä lukee ALL, kunnes painat ■ (4).

Mp3

1. Uudelleentoista senhetkistä raitaa painamalla kerran [MODE] (7). Näytöllä lukee , kunnes palaat normaalitilaan painamalla ■ (4), tai useita kertoja [MODE].
2. Uudelleentoista kansion (albumin) kaikki raidat painamalla kahdesti [MODE] (7). Näytöllä lukee ALBUM, kunnes painat ■ (4).
3. Uudelleentoista levyn kaikki raidat painamalla kolmesti [MODE] (7). Näytöllä lukee ALL ALBUM, kunnes painat ■ (4).

Raitojen alun soittaminen (Intro Play)

Soitin toistaa kaikkien raitojen ensimmäiset 10 sekuntia.

1. Paina [MODE]-painiketta (7) useita kertoja, kunnes INTRO ilmestyy näytölle.
2. Aloita levyn kaikkien raitojen alun toistaminen painamalla ► II (5).
3. Paina [MODE] (7) palataksesi normaaliin toistoon.

Toisto satunnaisessa järjestyksessä (Random)

Levyn kaikkien raitojen satunnainen toisto.

1. Paina [MODE]-painiketta (7) useita kertoja, kunnes RAND ilmestyy näytölle.
2. Aloita levyn kaikkien raitojen satunnaistoisto ► II (5).
3. Paina [MODE] (7) palataksesi normaaliin toistoon.

7. Ohjelmoitu toisto

Cd-levyllä olevat raidat voidaan ohjelmoida toistumaan halutussa järjestyksessä. Voit ohjelmoida jopa 20 raitaa.

Cd

1. Paina **[PRG]**-painiketta (8) odotustilassa. Raidan valinta vilkkuu näytöllä.
2. Valitse ensimmäinen ohjelmitava raita painikkeilla **I◀◀** tai **▶▶I**.
3. Vahvasta valinta painamalla **[PRG]**.
4. Ensimmäinen raita on nyt ohjelmoitu muistiin. Ohjelmanumero muuttuu numeroksi **"P 02"**, jonka jälkeen voit valita seuraavan raidan.
5. Toista kohdat 2 ja 3 ohjelmoidaksesi muut haluamasi raidat.
6. Aloita toisto painamalla **▶II** (5), kun olet ohjelmoinut kaikki haluamasi raidat.
7. Näytöllä lukee **PRG** ja toisto alkaa ensimmäisestä ohjelmoidusta raidasta.
8. Lopeta toisto painamalla kahdesti **■** (4).
9. Cd-soitin sammuu automaattisesti kun koko ohjelmointi on toistettu. Ohjelmointi jää laitteen muistiin niin kauaksi aikaa kunnes avaat cd-lokeron luukun tai sammutat laitteen.

Mp3

1. Paina **[PRG]**-painiketta (8) odotustilassa. Albumin/kansion numero vilkkuu näytöllä.
2. Valitse haluamasi albumi (kansio) painikkeilla **I◀◀** tai **▶▶I**.
3. Vahvasta valinta painamalla **[PRG]**.
4. Valitse haluamasi raita kansiosta painikkeilla **I◀◀** tai **▶▶I**.
5. Vahvasta valinta painamalla **[PRG]**.
6. Ensimmäinen raita on nyt ohjelmoitu muistiin. Ohjelmanumero muuttuu numeroksi **"02"**, jonka jälkeen voit valita seuraavan raidan.
7. Toista kohdat 2 ja 5 ohjelmoidaksesi muut haluamasi raidat.
8. Aloita toisto painamalla **▶II** (5), kun olet ohjelmoinut kaikki haluamasi raidat.
9. Näytöllä lukee **PRG** ja toisto alkaa ensimmäisestä ohjelmoidusta raidasta.
10. Lopeta toisto painamalla kahdesti **■** (4).
11. Cd-soitin sammuu automaattisesti kun koko ohjelmointi on toistettu. Ohjelmointi jää laitteen muistiin niin kauaksi aikaa kunnes avaat cd-lokeron luukun tai sammutat laitteen.

8. DBBS

DBBS lisää bassoäänien kuuluvuutta. Säädä äänenvoimakkuutta pienemmällä ennen kuin aktivoit tämän toiminnon. DBBS saattaa heikentää äänenlaatua tietyissä levyissä. Sammuta tässä tapauksessa DBBS-toiminto.

Huom.! Pitkäaikainen kuuntelu kuulokkeilla kovalla äänenvoimakkuudella saattaa aiheuttaa kuulovaurioita.

9. HOLD

HOLD on näppäinlukitus, joka voidaan aktivoida, jolloin Play/Stop-painikkeita ei voida painaa vahingossa. Näppäinlukitus on käytännöllinen, mikäli soitinta pidetään esim. taskussa.

10. ASP/DIR (Antiskip)

Tämä toiminto käynnistyy automaattisesti, kun soitin käynnistetään. Näytöllä lukee **Cd 40 sec.**

- Puskurimuisti perustuu puolijohdemuistiin, joka estää ääntä hyppimästä, kun soitin altistuu iskuille tai tärinälle toiston aikana. Cd-toistossa muistin pituus on 40 sekuntia ja mp3-toistossa 120 sekuntia.
- Kun cd-levyn toisto alkaa, kytkeytyy puskurimuisti automaattisesti päälle. Musiikin digitaaliset tiedot varastoidaan puskurimuistiin ennen soiton aloittamista.
- Kun soitin altistuu kuuntelun aikana tärinälle, laite lukee muistia ja jatkaa levyn toistoa. Näin lukupää ehtii tasoittua ja jatkaa uuden tiedon lukemista.

Paina **ASP/DIR** (3) toiston aikana, jos haluat keskeyttää tämän toiminnon.

11. Puhdistus

Lukupään puhdistus

Laserlukupään kertyvä pöly voi aiheuttaa häiriöitä äänentoistossa.

- Avaa cd-lokeron luukku ja puhalla pölyt pois kameroiden ja objektiivien puhdistukseen tarkoitetun paineilmapullon avulla.
- Voit myös hankkia laserlukupään puhdistusta varten kehitetyn puhdistuslevyn.

12. Ulkopuolinen puhdistaminen

- Käytä pehmeätä haalealla vedellä kostutettua ja kuivaksi puristettua liinaa.
- Älä käytä alkoholia, bensiiniä tai muita vahvoja liuottimia. Ne saattavat vahingoittaa muovipintaa.
- Varmista, ettei laitteeseen pääse nestettä puhdistuksen yhteydessä.

13. Ota huomioon, mikäli soitin altistuu suurille lämpötilanvaihteluille!

Laitteen laserlukupäähän tiivistynyt kosteus saattaa tilapäisesti vaikuttaa laitteen toimintaan.

Kosteutta saattaa esiintyä:

- Kun siirrät laitteen ulkotiloista lämpimiin sisätiloihin tai kun laite sijaitsee kylmässä huoneessa, jonka lämpötila nousee nopeasti.
- Kesäisin siirtäessäsi laitteen ilmastoidusta tilasta (huoneesta tai autosta) lämpimään tai kosteaan tilaan.

Mikäli kondensaatiota ilmenee:

- Anna laitteen sopeutua uuteen lämpötilaan noin 1–2 tunnin ajan ennen käyttöä, laite sopeutuu nopeammin, jos avaat luukun.

Varoitus! Älä päästä laitetta kastumaan, varo roiskeita ja vältä sijoittamasta laitetta vettä sisältävien esineiden, kuten maljakoiden tai juomapullojen vierelle.

Ota huomioon, että laite tarvitsee riittävästi tuuletusta, jotta se ei ylikuumentu.

14. Virheenetsintä, viat, syyt ja toimenpiteet

Vika	Syy	Toimenpiteet
Soitin ei käynnisty, painikkeet eivät toimi.	Paristot ovat lopussa.	Vaihda paristot.
Soitin ei toista levyä.	<ol style="list-style-type: none"> 1. Levy on asetettu väärin soittimeen. 2. Viallinen tai väärän tyyppinen levy. 3. Cd-kansi on auki. 4. Kosteutta lukupäässä. 	<ol style="list-style-type: none"> 1. Käännä cd-levy. 2. Kokeile toista levyä. Soitin ei toista dvd- tai datalevyjä. 3. Varmista, että cd-luukku on kiinni. 4. Poista levy ja jätä luukku auki tunniksi kosteuden haihuttamiseksi.
Kuulokkeista ei kuulu mitään.	<ol style="list-style-type: none"> 1. Kuulokkeiden liittintä ei ole liitetty kunnolla. 2. Äänenvoimakkuus on säädetty nolnaan ("0"). 3. Paristot ovat lopussa. 4. Viallinen levy. 	<ol style="list-style-type: none"> 1. Kokeile laittaa pistoke uudelleen paikalleen. 2. Lisää äänenvoimakkuutta. 3. Vaihda paristot. 4. Vaihda levyä.
Näyttöllä ei lue raitojen kokonaisu määrää, vaan "Er".	Viallinen levy.	Vaihda levy.
Ääni katkeilee.	<ol style="list-style-type: none"> 1. Pölyä/likaa lukupäässä tai levyssä. 2. Liikaa tärinää. 	<ol style="list-style-type: none"> 1. Puhdista lukupää paineilmalla, puhdista tai vaihda levy. 2. Aseta cd-soitin toiselle alustalle.
Äänenlaatu on huono.	<ol style="list-style-type: none"> 1. Liian korkea äänenvoimakkuus. 2. Paristot ovat lopussa. 	<ol style="list-style-type: none"> 1. Alenna äänenvoimakkuutta. 2. Vaihda paristot tai kytkä muuntaja.
Näyttö lukkiutuu tai käyttäytyy oudosti.	Tilapäishäiriö ohjelmassa tai elektroniikassa.	Irrota paristot (ja mahdollinen muuntaja), odota noin 15 sekunnin ajan ja laita paristot takaisin paikoilleen. Varmista, että paristot ovat kunnossa.



15. Kierrätys

Lajittele ja kierrätä jätteet. Älä heitä niitä sekajätteisiin. Kaikki elektroniset laitteet, koneet ja pakkausmateriaali on lajiteltava paikallisten ympäristösääntöjen mukaisesti.

16. Tekniset tiedot

Kuulokeliitäntä:	20 mW+ 20mW (32 Ohm)
Virtalähde:	Paristot: 2 x LR6/AA (eivät sisälly)
Muuntaja:	4.5VDC 700mA DC-pistoke, + keskellä (ei sisälly pakkaukseen).
Mitat:	150 x 135x 30 mm (SxLxK)
Paino:	Noin 270 g (ilman paristoja).
Taajuusalue:	50 Hz – 20 kHz (+1/-2 dB)
Näytteistystaajuus:	44.1 kHz (8-kertainen ylinäytteisyys)
D/A-muunnin:	1-bittinen

SVERIGE

KUNDTJÄNST Tel: 0247/445 00
 Fax: 0247/445 09
 E-post: kundtjanst@clasohlson.se

INTERNET www.clasohlson.se

BREV Clas Ohlson AB, 793 85 INSJÖN

NORGE

KUNDESENTER Tlf.: 23 21 40 00
 Faks: 23 21 40 80
 E-post: kundesenter@clasohlson.no

INTERNETT www.clasohlson.no

POST Clas Ohlson AS, Postboks 485 Sentrum, 0105 OSLO

SUOMI

ASIAKASPALVELU Puh: 020 111 2222
 Faksi: 020 111 2221
 Sähköposti: info@clasohlson.fi

INTERNET www.clasohlson.fi

OSOITE Clas Ohlson Oy, Yrjönkatu 23 A, 00100 HELSINKI

GREAT BRITAIN

For consumer contact, please visit
www.clasohlson.co.uk and click on
customer service.

INTERNET www.clasohlson.co.uk

CLAS OHLSON

www.clasohlson.com