

7" LCD TV

Analogue/Digital Receiver

7" LCD TV analog/digital mottagare

7":n LCD TV, jossa analoginen/digitaalinen vastaanotin



Art.no.
38-3093

Model
TVG3970A

Ver. 200810

CLAS OHLSON

www.clasohlson.com

7" LCD TV Analogue/Digital Receiver

Art.no.: 38-3093 Model: TVG3970A

Please read the entire instruction manual before using the product and save it for future reference. We reserve the right for any errors in text or images and any necessary changes made to technical data. If you have any questions concerning technical problems please contact our Customer Services (see address on reverse).

Table of Contents

1. Safety	3
2. Product Description	3
3. Contents	3
4. Buttons and Functions	4
5. Preparations	8
6. Using DVB-T (Digital TV)	8
6.1 Quick installation	8
6.2 Automatic and manual programme search	10
6.3 Main menu and submenus	11
7. Using ATV (Analogue TV)	12
8. AV mode	13
9. Care and maintenance	14
10. Troubleshooting guide	14
11. Protect the environment	14

1. Safety

- Turn off the product and disconnect the adaptor if smoke, abnormal smells or sounds come from the device.
- Do not try to disassemble/repair the unit yourself.
- Be conscious of traffic safety: Never watch TV while driving.
- Do not use the charger if the housing or any other part is damaged.
- Do not expose the product to moisture or damp. Remove the adaptor if any of the parts have been exposed to moisture or damp.
- Always unplug the adaptor before cleaning it.
- Use only the accompanying adaptor or the accompanying 12/24 V adaptor.

Warning: Check the polarity before connecting the accompanying 12/24 V adaptor to the car's socket. The car must be minus (-) earthed i.e. the cigarette socket should have plus (+) polarity in the centre.

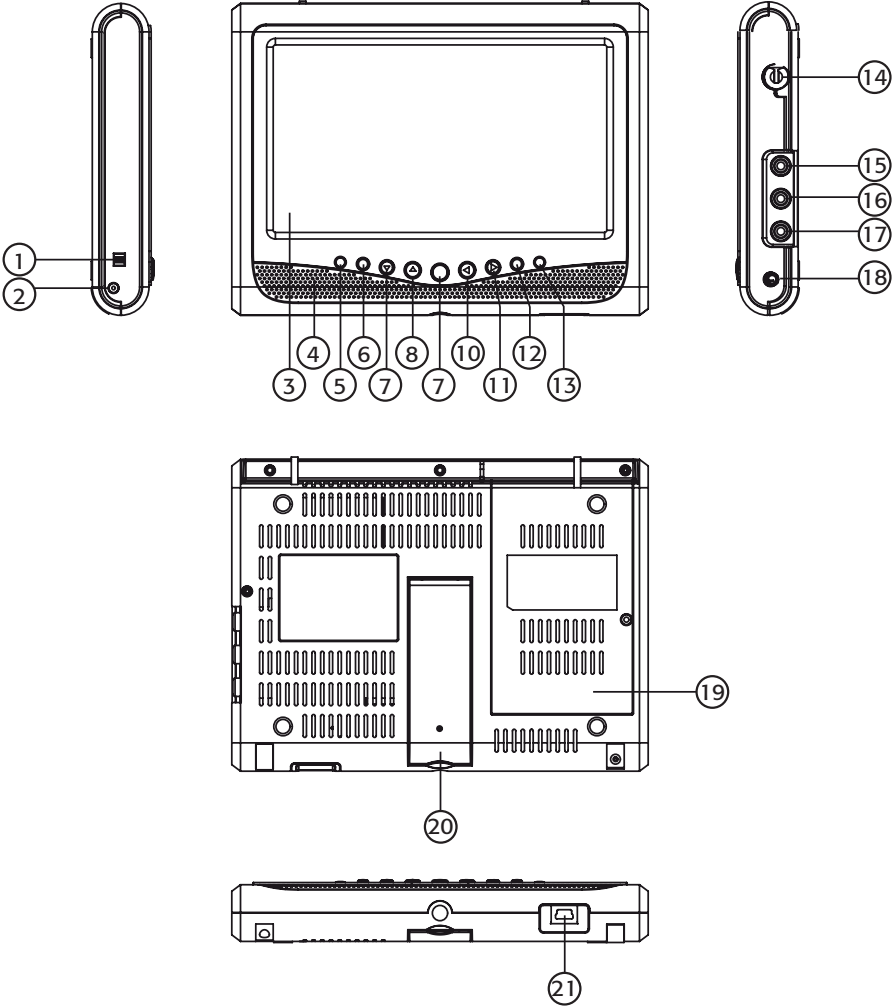
2. Product Description

- 7" LCD TV with built-in analogue and digital receiver
- AV input
- 3.5 mm headphone jack
- Built-in stereo speakers
- Built-in rechargeable battery (Lithium-Polymer) which gives up to 2 hours of use
- 7" LCD TV with built-in analogue and digital receiver
- Remote control
- Widescreen (16:9-format)
- External aerial
- 12/24 V adaptor for cigarette socket
- 230 V adaptor

3. Contents

- LCD-TV
- Remote control
- 12/24 V adaptor
- 230 V Adaptor
- Aerial
- Headphones
- AV cable

4. Buttons and Functions



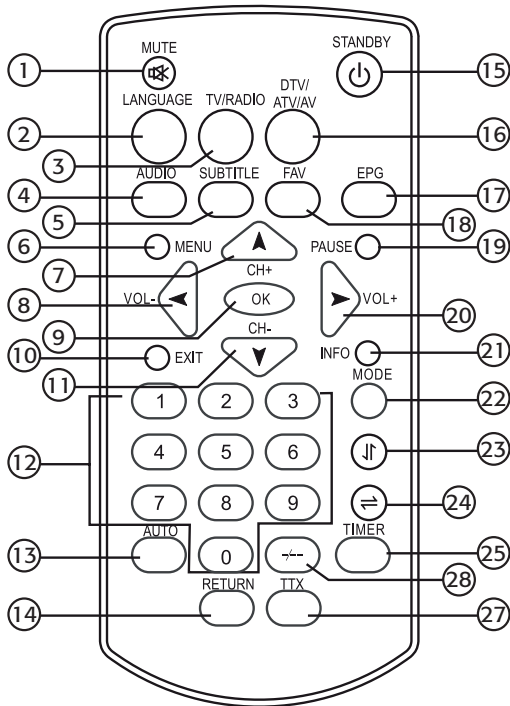
1. **[POWER ON/OFF]** Power switch
2. **DC 9 V IN** Adaptor connection or 12/24 V adaptor connection
3. **LCD display**
4. **Speakers**
5. **STANDBY/POWER/BATTERY** Operational indicator
6. **[MENU]** Menu
7. **[CH-]** Selects previous channel
8. **[CH+]** Selects next channel
9. **[AUTO/OK]** Programme search or confirm selection
10. **[VOL -]** Decreases volume
11. **[VOL +]** Increases volume
12. **[DTV/ATV/AV]** Function selection
13. **Remote control sensor**
14. **RF IN** Aerial input
15. **VIDEO IN** Video input
16. **AUDIO IN L** Audio input left channel
17. **AUDIO IN R** Audio input right channel
18. **PHONES** 3.5 mm stereo headphone socket
19. **Battery cover**
20. **Support stand**
21. **USB connection***



* Only used for software updates from the manufacturer

Remote control

N.B.

- Point the remote towards the sensor (13) on the front of the TV within a radius of max 60°. The range for the remote is up to 7 metres.
- Do not press the buttons too quickly. Wait for the last function to be performed before pressing another button.



1. **[MUTE]**: Turns the sound on/off. The sound can also be reactivated by pressing V+ or V-.
2. **[LANGUAGE]**: Selects the language in the OSD menu.
3. **[TV/RADIO]**: Select between TV and radio.
4. **[AUDIO]**: Select between mono and stereo (only in DVB-T mode).
5. **[SUBTITLE]**: Selects between subtitles (only in DVB-T mode).
6. **[MENU]**: Opens the main menu in DVB-T or ATV mode.
7. **[CH+]**: Selects the next channel.
8. **[VOL-]**: Reduces the volume.
9. **[OK]**: Confirms a menu selection or displays the TV schedule in DVB-T mode.
10. **[EXIT]**: Exits the current menu or returns to the previous menu.
11. **[CH-]**: Selects the previous channel.
12. **[0] - [9]**: CH+: Press one/several buttons to come to the desired channel.
13. **[AUTO]**: CH+: Press and hold in the button for several seconds to do an automatic programme search (in ATV mode).
14. **[RETURN]**: CH+: Returns to the previous channel.
15. **[STANDBY]**: Selects between normal display and standby mode.
16. **[DTV/ATV/AV]**: Select function: DTV, ATV or AV mode.
17. **[EPG]**: Displays programme information.
18. **[FAV]**: Activates or turns off the favourites function. When this feature is activated you can select your favourite channel by pressing the CH+ / CH- buttons.
19. **[PAUSE]**: Temporarily pause audio and video (in DVT-T mode). Press again to continue.
20. **[VOL+]**: Increase volume.
21. **[INFO]**: Displays current programme information.
22. **[MODE]**: Press to adjust brightness, contrast, colour, volume, up/down, mirror image and display mode. Adjust the settings with [VOL+] (20) or [VOL-] (8). New settings are automatically saved.
23.  : Rotates the picture up or down.
24.  : Rotates the picture to the left or right.
25. **[TIMER]**: Sets the sleep timer.
26. **[-/--]**: Press to set a channel.
27. **[TTX]**: Display teletext.

5. Preparations

Battery

The battery is mounted in the device at delivery. It is charged at the same time the TV is on and running from the adaptor or 12/24 V adaptor. The battery takes approx 6 hours to charge if fully discharged. When fully charged it will be adequate for up to 2 hrs. of use.

Aerial

Connect the accompanying aerial or preferably an external aerial to RF IN (14). To improve reception adjust the aerial's direction and placement. Signal strength can vary according to location and obstructions in the vicinity, mountains, tall buildings, power lines, etc.

6. Using DVB-T (Digital TV)

Getting started

- Make sure the aerial is correctly connected.
- Connect the DC plug from the adaptor or the 12/24 V adaptor to DC 9 V IN socket (2). Then connect the adaptor to a wall socket or the 12/24 V adaptor to your car's cigarette outlet (making sure the polarity in the socket is correct first).
- Set the switch [POWER ON/OFF] (1) in the ON position.
- Adjust the monitor position for best possible viewing.

6.1 Quick installation (using the TV receiver for the first time)

1. A menu window is displayed when turning on the TV for the first time: **Do you want to start "First time Installation Wizard"?**
2. Select **YES** with the [VOL+] (20) or [VOL-] (8) button if you want to start the quick installation process.
3. Press [OK] (9) continue on to settings.
4. "Country" is displayed, press [VOL+] (20) to set the desired country and time zone. The language is set automatically.
5. Press [CH-] (11) move down the menu, then press [VOL+] (20) and select **Next**.
6. This stage missing in English menu. This stage missing in English menu.
7. Do you want to start Auto Search? appears, Select **YES** and press [OK] (9).
8. Automatic search begins and the channels are displayed in the channel list.
9. Press [MENU] (6), the main menu is displayed, select **channel list** in the menu with [CH+] or [CH-] (11).

10. Press [OK] (9) to display the submenu. Select **Sort** if you wish to make changes in the channel list. In the **Sort** menu you can remove channels, move channels to another channel number or select **Favourite channels**.
11. The channel edit table with all TV and radio channels found during the search will be displayed in these 5 columns: **No. – Channel name – Favourite – Move – Delete**
12. Here is an example of a sorting menu function: You wish to remove the channel that is listed under channel 23.
 - a) Move to **channel 23** in the table with [CH+] (7) or [CH-] (11).
 - b) Move to the **Delete** field with [VOL+] (20) or [VOL-] (8).
 - c) Press [OK] (9) to confirm. This is marked by X in the column.
 - d) Continue in the same fashion if you wish to remove more channels.
 - e) Press [EXIT] (10) several times to exit the menu and to save your settings once you have finished.

N.B. If you wish to go through the quick installation process again you need to reset the TV to factory defaults:

- Press [MENU] (6), the main menu will be displayed, select **Accessory**, press [OK] (9) to open the submenu, select **Factory default** and press [OK] (9).
- “Enter parental PIN” is shown. Enter the code (8888 is the preset factory setting) and press [OK] (9). Then select **YES** and press [OK] (9).

6.2 Automatic and manual programme search

Automatic

1. Press [MENU] (6), the main menu is displayed, select **Programme search** in the menu with [CH+] or [CH-] (11).
2. Press [OK] (9) to display the submenu. Select **Automatic search** and press [OK] (9).
3. **“Do you want to start Auto Search?”** is displayed, confirm by selecting **OK** and press [OK] (9). Confirm the next step in the same manner.
4. Programme search begins. This will take a few minutes.
5. Select **TV programme list** from the menu and press [OK] (9).
6. The Programme edit table with all TV and radio channels found during the search will be displayed in these 5 columns: **No. – Programme name – Favourite – Move – Delete**
7. In the Programme edit table you can change and sort the channels.
8. Here is an example of a sorting menu function: You wish to remove the channel that is listed under channel 23.
 - a) Move to **channel 23** in the table with [CH+] (7) or [CH-] (11).
 - b) Move to the **Delete** field with [VOL+] (20) or [VOL-] (8).
 - c) Press [OK] (9) to confirm. This is marked by X in the column.
 - d) Continue in the same fashion if you wish to remove more channels.
 - e) Press [EXIT] (10) several times to exit the menu and to save your settings once you have finished.

Manual

1. Press [MENU] (6), the main menu is displayed, select **Programme search** in the menu with [CH+] or [CH-] (11).
2. Press [OK] (9) to display the submenu. Then select **Manual search** and press [OK] (9).
3. Scroll up or down through the channels under “Channel ID” using [VOL+] (20) or [VOL-] (8), the signal strength and quality will be shown.
4. Scroll down to “OK” with [CH-] (11), press [OK] (9) to save the channel.
5. In the Programme edit table you can change and sort the channels.
6. Here is an example of a sorting menu function: You wish to remove the channel that is listed under channel 23.
 - a) Move to **channel 23** in the table with [CH+] (7) or [CH-] (11).
 - b) Move to the **Delete** field with [VOL+] (20) or [VOL-] (8).
 - c) Press [OK] (9) to confirm. This is marked by X in the column.
 - d) Continue in the same fashion if you wish to remove more channels.
 - e) Press [EXIT] (10) several times to exit the menu and to save your settings once you have finished.

6.3 Main menu and submenus

Main Menu	
Program List	▶
Program Search	▶
Parental Control	▶
System Setting	▶
Game	▶
Accessory	▶
Personal Style	

- Press [OK] (6) to display the main menu.
- Select the desired submenu with [CH+] (7) or [CH-] (11).
- Exit the menu by pressing [EXIT] (10).

- A. Program list**
1. TV programme list: Displays the acquired TV channels.
 2. Radio channel list: Displays the acquired radio channels.
 3. Sort: Sorts the acquired channels.
- B. Program search**
1. Automatic search: Searches for programmes automatically.
 2. Manual search: Searches for programmes manually.
- C. Parental control**
1. Enter code: **8888** is preset from the manufacturer.
- D. System setting**
1. TV standard: PAL, NTSC or AUTO.
 2. Display type: 4:3 PS, 4:3 LB or 16:9. If no changes are made in this menu you may also press mode [MODE] (22) several times on the remote and until you reach 4:3 or 16:9 to make changes.
 3. Video output: CVBS.
 4. Region settings: Country, Menu language and Time zone.
 5. Language settings: Menu language, Audio channel 1/2, Subtitles.
 6. Time setting: GMT On/Off or Time zone.
- E. Game**
1. Mine
 2. Tetris
 3. Gomoku
 4. Calendar
- F. Accessory**
1. System information: Displays programme version.
 2. Factory defaults: First enter the Parental PIN (**8888**) before resetting to factory defaults.
 3. System upgrade: Searches for software updates.
- G. Personal style**
1. Menu colour.
 2. Transparency level.
 3. Border pattern: Rounded or rectangular menus.
 4. Entry animation: Sets the start animation's movement.

7. Using ATV (Analogue TV)

Getting started

- Make sure the aerial is properly connected.
- Connect the DC plug from the adaptor or the 12/24 V adaptor to DC 9 V IN socket (2). Then connect the adaptor to a wall socket or the 12/24 V adaptor to your car's cigarette outlet (making sure the polarity in the socket is correct first).
- Set the switch [POWER ON/OFF] (1) to the **ON** position.
- Adjust the monitor position for best possible viewing.

ATV menu

Press [DTV/ATV/AV] (16), and select ATV. Press [MENU] (6) to display the ATV menu.

1. Press [CH+] (7) or [CH-] (11) to browse through the menu.
2. Push [VOL+] (20) to enter the desired submenu
3. Change settings with [VOL+] (20) or [VOL-] (8).

A. Picture

1. Brightness
2. Contrast
3. Colour
4. Reset

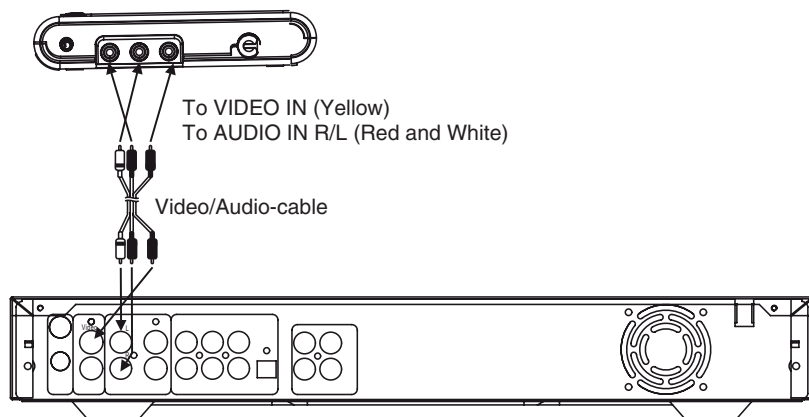
B. System

1. Language: Sets the language (English, Swedish, and Norwegian).
2. Clock: Sleep timer with automatic shut-off after:
30 minutes – 60 minutes – 90 minutes –
120 minutes – OFF
3. Picture format: 4:3 or 16:9.
4. Picture positioning: Upside down, mirror or normal.
5. Blue back: Blue background when no channel exists.

C. Preset

1. Position: Channel no.
2. Remember: Save channel
3. Auto-Search: Automatic programme search.
Acquired programmes saved to memory.
4. Fine: Fine channel adjustment
5. Search: Selects frequency for manual search
6. Sound-Sys: Selects audio system I, BG or DK,
set to BG in the Nordic countries.
7. Color-Sys: Selects the TV system PAL or SECAM,
set to PAL in the UK and nordic countries.

8. AV mode



Press [DTV/ATV/AV] (16), and select AV, connect the included cable between the TV-receiver and a e.g. DVD player or digital camera. Press [DTV/ATV/AV] (16), and select AV.

9. Care and maintenance

- Do not expose to direct sunlight or other heat sources for extended periods. Place the TV away from the sun to reduce glare.
- Make sure the TV is placed in a well ventilated area.
- Do not place heavy items on top of the TV or its parts.
- Place the product in a clean environment free from dust and moisture.

10. Troubleshooting Guide

Problem	Cause – Solution
No image or sound	<ul style="list-style-type: none"> • Check the power supply. • Make sure the switch (1) is in the ON position.
No picture	<ul style="list-style-type: none"> • Make sure that you have selected a channel that is broadcasting. • Defective aerial. Change aerial.
No sound	<ul style="list-style-type: none"> • Check audio settings: Volume and Mute. • If headphones are connected (18) the speakers will be turned off.
Picture is dark	<ul style="list-style-type: none"> • Check picture settings: Bright and Contrast.
Picture is unstable	<ul style="list-style-type: none"> • Check aerial position. • Adjust aerial position. Interference may be caused by high buildings, power lines, etc.
Ghost image	<ul style="list-style-type: none"> • Check aerial position. • Adjust aerial position. Interference may be caused by high buildings, power lines, etc.
Coarse picture	<ul style="list-style-type: none"> • Disturbance in the power supply or a high voltage source in the vicinity.
No colour	<ul style="list-style-type: none"> • Check system settings.

11. Protecting the Environment

Dispose of your waste responsibly, sort and recycle where possible. All electronic products, batteries and all packaging material should be sorted and handled according to local environmental regulations.

7" LCD TV analog/digital mottagare

Art.nr: 38-3093 Modell: TVG3970A

Läs igenom hela bruksanvisningen före användning och spara den sedan för framtida bruk. Vi reserverar oss för ev. text- och bildfel samt ändringar av tekniska data. Vid tekniska problem eller andra frågor, kontakta vår kundtjänst (se adressuppgifter på baksidan).

Innehållsförteckning

1. Säkerhet.....	17
2. Produktbeskrivning.....	17
3. Förpackningen innehåller.....	17
4. Knappar och funktioner.....	18
5. Förberedelser.....	22
6. Användning DVB-T (Digital TV).....	22
6.1 Snabbinstallation.....	22
6.2 Automatisk och manuell kanalsökning.....	24
6.3 Huvudmeny och undermenyer.....	25
7. Användning ATV (Analog TV).....	26
8. AV-läge.....	27
9. Skötsel och underhåll.....	28
10. Felsökningsschema.....	28
11. Värna om miljön.....	28

1. Säkerhet

- Stäng av och dra ur nätadaptern om rök, onormal lukt eller onormala ljud kommer från produkten.
- Försök inte att demontera/reparera produkten själv.
- Tänk på trafiksäkerheten: Se aldrig på TV när du kör bil.
- Använd inte produkten om höljet eller något annat är skadat.
- Utsätt inte produkten för väta eller fukt, dra ur adaptern direkt om någon av delarna har utsatts för vatten/fukt.
- Dra alltid ur adaptern innan rengöring.
- Använd endast bifogad nätadapter eller medföljande 12/24-Volt-adapter.

Varning: Kontrollera polariteten innan du ansluter den medföljande 12/24-Volts adaptern till bilens uttag, bilen måste vara minus (-) jordad, d.v.s. cigarettändaruttaget skall ha plus (+) i centrum.

2. Produktbeskrivning

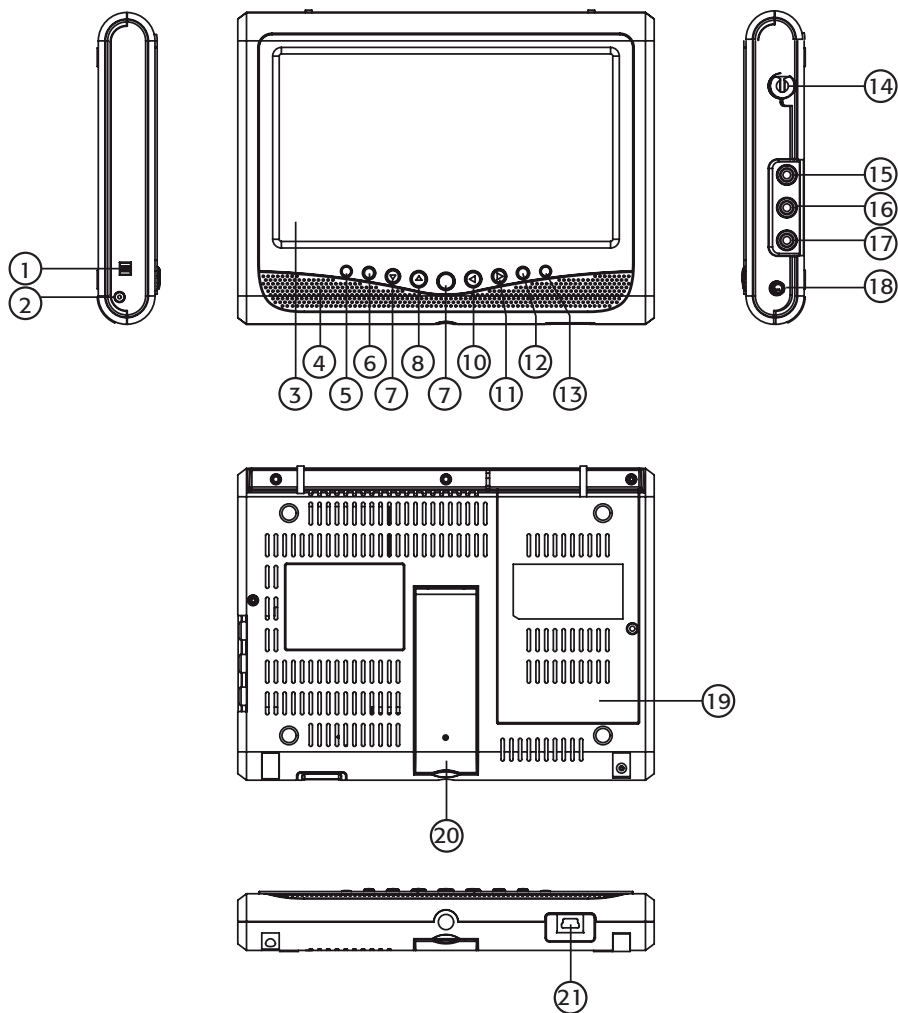
- 7" Lcd-Tv med inbyggd analog och digital tv-mottagare
- AV-ingång
- Hörlursjack, 3,5 mm
- Inbyggda stereohögtalare
- Inbyggt laddningsbart batteri (Lithium-Polymer) som ger upp till 2 timmars användningstid
- 7" Lcd-Tv med inbyggd analog och digital tv-mottagare
- Fjärrkontroll
- Widescreen (16:9-format)
- Extern antenn
- 12/24-Volts adapter för cigarettändaruttag
- Batterieliminatör 230 V

3. Förpackningen innehåller

- LCD-TV
- Fjärrkontroll
- 12/24-Volts adapter
- Batterieliminatör 230 V
- Antenn
- Hörlurar
- AV-kabel

4. Knappar och funktioner

SVENSKA



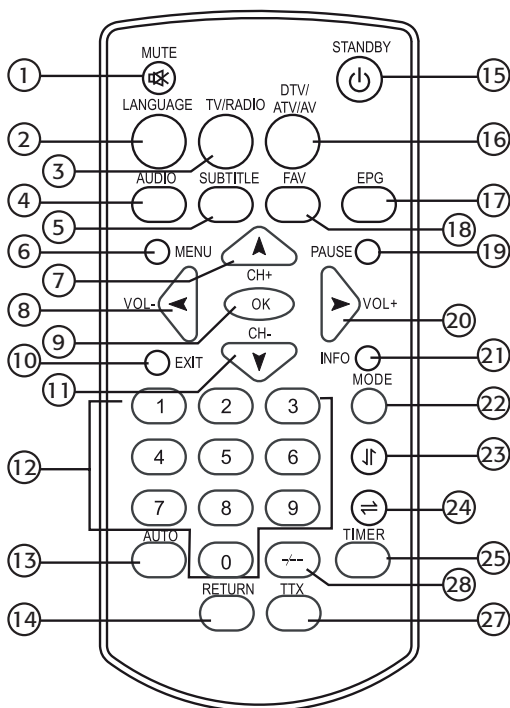
1. **[POWER ON/OFF]** Strömbrytare
2. **DC 9V IN** Anslutning för batterieliminatör eller 12/24 V adapter
3. **LCD display**
4. **Högtalare**
5. **STANDBY/POWER/BATTERY** Indikator för driftläge
6. **[MENU]** Meny
7. **[CH-]** Stega ner till föregående kanal
8. **[CH+]** Stega upp till nästa kanal
9. **[AUTO/OK]** Programsökning eller bekräfta val
10. **[VOL -]** Sänk volymen
11. **[VOL +]** Höj volymen
12. **[DTV/ATV/AV]** Funktionsval
13. **Sensor till fjärrkontroll**
14. **RF IN** Antenningång
15. **VIDEO IN** Videoingång
16. **AUDIO IN L** Ljudingång vänster kanal
17. **AUDIO IN R** Ljudingång höger kanal
18. **PHONES** Hörlursjack för 3.5mm stereoplugg
19. **Batterilock**
20. **Stöd**
21. **USB-anslutning***



* Endast avsedd för uppdatering av mjukvaran hos tillverkaren

Fjärrkontroll

Obs!

- Rikta fjärrkontrollen mot sensorn (13) på framsidan av TV-mottagaren inom en vinkel på max 60°, räckvidden för fjärrkontrollen är upp till 7 meter.
- Tryck inte för snabbt på knapparna, vänta till den senast valda funktionen är utförd innan du trycker på nästa knapp.



1. **[MUTE]**: Växla mellan att stänga av och slå på ljudet. Ljudet aktiveras också om du trycker på V+ eller V-.
2. **[LANGUAGE]**: Växla språk i OSD-menyn.
3. **[TV/RADIO]**: Välj mellan TV och radio.
4. **[AUDIO]**: Välj mellan mono och stereo (endast i DVB-T-läge).
5. **[SUBTITLE]**: Välj mellan olika textningsspråk (endast i DVB-T-läge).
6. **[MENU]**: Öppna huvudmenyn i DVB-T eller ATV-läge.
7. **[CH+]**: Stega till nästa kanal.
8. **[VOL-]**: Sänk ljudet.
9. **[OK]**: Bekräfta ett menyval eller visa TV-tablån i DVB-T läge.
10. **[EXIT]**: Gå ur aktuell meny eller återgå till föregående meny.
11. **[CH-]**: Stega tillbaka till föregående kanal.
12. **[0] - [9]**: CH+: Tryck på en/flera av knapparna för att gå till önskad kanal.
13. **[AUTO]**: CH+: Tryck och håll in knappen i några sekunder för att söka TV-program automatiskt (i ATV-läge).
14. **[RETURN]**: CH+: Återgå till föregående program.
15. **[STANDBY]**: Stega mellan normalt visningsläge och viloläge.
16. **[DTV/ATV/AV]**: Välj funktion: DTV, ATV eller AV-läge.
17. **[EPG]**: Visa programinformation.
18. **[FAV]**: Aktivera eller stäng av din favoritfunktion. När funktionen är aktiverad kan du välja favoritprogram genom att trycka på CH+ /CH-knapparna.
19. **[PAUSE]**: Gör en tillfällig paus för ljud och bild (i DVT-T-läge), tryck en gång till för att fortsätta.
20. **[VOL+]**: Öka ljudet.
21. **[INFO]**: Visa information om programmet som visas.
22. **[MODE]**: Tryck på knappen för att justera ljus, kontrast, färg, volym, uppåt neråt, spegling och bildvisningsläge. Justera inställningarna med [VOL+] (20) eller [VOL-] (8), den nya inställningen sparas automatiskt.
23.  : Vänd bilden uppåt eller neråt.
24.  : Vänd bilden åt vänster eller åt höger.
25. **[TIMER]**: Ställ in insomningstimer.
26. **[-/--]**: Tryck på knappen för att ställa in kanalnummer.
27. **[TTX]**: Visa teletext.

5. Förberedelser

Batteri

Batteriet är monterat i apparaten vid leverans, det laddas samtidigt som du ser på TV med ansluten batterieliminatör eller 12/24-Volts adapter. Batteriet tar ca 6 timmar att ladda upp om det är helt urladdat. När det är fulladdat räcker i upp till 2 timmars kontinuerlig användning.

Antenn

Anslut den bifogade antennen eller helst en extern antenn till RF IN (14). Förbättra mottagningen vid behov genom att justera antennens riktning och placering. Signalstyrkan varierar på olika platser och beror på bl.a. hinder i närheten, berg, höga hus, kraftledningarna etc.

6. Användning DVB-T (Digital TV)

Kom igång...

- Kontrollera att antennen är rätt ansluten.
- Anslut DC-proppen från batterieliminatör eller 12/24 V-adaptern till DC 9 V IN (2), anslut sedan batterieliminatören till ett eluttag eller 12/24 V-adaptern till cigarettändaruttaget (kontrollera polariteten i uttaget om du är osäker bilens jordning).
- Ställ strömbrytaren [POWER ON/OFF] (1) i läge ON.
- Justera skärmens placering så att du ser bra.

6.1 Snabbinstallation (första gången TV-mottagaren startas)

1. När du slår på TV-mottagaren första gången visas en ruta: Do you want to start "First time Installation Wizard"?
2. Markera **"YES"** med knapp [VOL+] (20) eller [VOL-] (8) om du vill starta snabbinstallationen.
3. Tryck på [OK] (9) för att börja med inställningarna.
4. "Country" visas, tryck på [VOL+] (20) för att ställa in önskat land. Tidzon och språk ställs in automatiskt.
5. Tryck på [CH-] (11) för att stega neråt i menyn, tryck sedan på [VOL+] (20) för att markera **NÄSTA**.
6. På skärmen visas "Vill du starta apparatens förstagångsinstallation?" Markera **JA** och tryck sedan på [OK] (9).
7. Vill du starta den automatiska sökningen av kanaler, markera **JA** och tryck på [OK] (9).
8. Kanalsökningen startar och kanalernas namn visas i kanallistan när de hittas.

9. Tryck på [MENU] (6), huvudmenyn visas, välj **Kanallista** i menyn med [CH+] (7) eller [CH-] (11).
10. Tryck på [OK] (9) för att visa undermenyn. Välj **Sortera** om du vill ändra i kanallistan. Under "Sortera" går det att ta bort kanaler, flytta kanal till annat nummer eller välja **Favoritkanal**.
11. Kanalinställningstabellen med alla TV- och radiokanaler som hittades vid sökningen visas, den har 5 kolumner: **Nr. – Kanalens namn – Favorit – Flytta – Ta bort**
12. Exempel på sortering: Du vill ta bort kanalen som ligger på nummer 23.
 - a) Stega till nummer 23 i tabellen med [CH+] (7) eller [CH-] (11).
 - b) Stega till kolumnen **Ta bort** med [VOL+] (20) eller [VOL-] (8)
 - c) Tryck på [OK] (9) för att bekräfta, ett rött kryss visas i kolumnen.
 - d) Fortsätt på samma sätt om du vill ta bort flera kanaler.
 - e) Tryck på [EXIT] (10) flera gånger för att gå ur menyn och spara dina inställningar när du är klar med dina ändringar.

Obs! Vill du använda den här snabbinstallationen flera gånger måste du återställa fabriksinställningarna, gör då så här:

- Tryck på [MENU] (6), huvudmenyn visas, välj **Övrigt**, tryck på [OK] (9) för att öppna undermenyn, välj **Fabriksinställningar** och tryck på [OK] (9).
- **Mata in barnlåsets kod** skriv in koden (8888 är förinställd på fabriken) och tryck på [OK] (9). Välj sedan **JA** och tryck på [OK] (9).

6.2 Automatisk och manuell kanalsökning

Automatisk

1. Tryck på [MENU] (6), huvudmenyn visas, välj **Kanalsökning** i menyn med [CH+] eller [CH-] (11).
2. Tryck på [OK] (9) för att visa undermenyn. Välj **Automatisk sökning** och tryck på [OK] (9) igen.
3. ”Vill du starta den automatiska sökningen” visas, bekräfta genom att markera **OK** och trycka på [OK] (9), bekräfta nästa fråga på samma sätt.
4. Kanalsökningen startar, sökningen tar ett par minuter.
5. Välj **TV-kanallista** i menyn och tryck på [OK] (9).
6. Kanalinställningstabellen med alla TV- och radiokanaler som hittades vid sökningen visas, den har 5 kolumner: **Nr. – Kanalens namn – Favorit – Flytta – Ta bort**
7. I kanalinställningstabellen kan du ändra och sortera de hittade kanalerna.
8. Exempel på sortering: Du vill ta bort kanalen som ligger på nummer 23.
 - a) Stega till nummer 23 i tabellen med [CH+] (7) eller [CH-] (11).
 - b) Stega till kolumnen **Ta bort** med [VOL+] (20) eller [VOL-] (8)
 - c) Tryck på [OK] (9) för att bekräfta, ett rött kryss visas i kolumnen.
 - d) Fortsätt på samma sätt om du vill ta bort flera kanaler.
 - e) Tryck på [EXIT] (10) flera gånger för att gå ur menyn och spara dina inställningar när du är klar med dina ändringar.

Manuell

1. Tryck på [MENU] (6), huvudmenyn visas, välj **Kanalsökning** i menyn med [CH+] eller [CH-] (11).
2. Tryck på [OK] (9) för att visa undermenyn. Välj **Manuell sökning** och tryck på [OK] (9) igen.
3. Stega uppåt eller neråt bland kanalerna under **Kanal-ID** med [VOL+] (20) eller [VOL-] (8), signalstyrka och kvalitet visas.
4. Stega till **OK** med [CH-] (11), tryck på [OK] (9) för att spara kanalen.
5. I kanalinställningstabellen kan du sedan ändra och sortera de hittade kanalerna.
6. Exempel på sortering: Du vill ta bort kanalen som ligger på nummer 23.
 - a) Stega till **nummer 23** i tabellen med [CH+] (7) eller [CH-] (11).
 - b) Stega till kolumnen **Ta bort** med [VOL+] (20) eller [VOL-] (8)
 - c) Tryck på [OK] (9) för att bekräfta, ett rött kryss visas i kolumnen.
 - d) Fortsätt på samma sätt om du vill ta bort flera kanaler.
 - e) Tryck på [EXIT] (10) flera gånger för att gå ur menyn och spara dina inställningar när du är klar med dina ändringar.

6.3 Huvudmeny och undermenyer

Main Menu	
Program List	▶
Program Search	▶
Parental Control	▶
System Setting	▶
Game	▶
Accessory	▶
Personal Style	

- Tryck på [MENU] (6) för att visa huvudmenyn.
- Välj önskad undermeny med [CH+] (7) eller [CH-] (11).
- Gå ur menyen med [EXIT] (10).

A. Kanallista

1. TV-kanallista: Visar hittade TV-kanaler
2. Radiokanallista: Visar hittade radiokanaler
3. Sortera: Sortera de hittade kanalerna

B. Kanalsökning

1. Automatisk sökning: Söker kanaler automatiskt
2. Manuell sökning: Sök kanaler manuellt

C. Barnlås

1. Mata in kod: Koderna **8888** är förinställda på fabriken

D. Systeminställningar

1. TV-system: PAL, NTSC eller AUTO
2. Bildförhållande: 4:3 PS, 4:3 LB eller 16:9. Om inte bilden ändras i denna meny kan den ändras genom att trycka på [MODE] (22) på fjärrkontrollen och stega fram till 4:3 eller 16:9
3. Videosignal: Videosignal CVBS
4. Region inställningar: Land, Menyspråk och Tidszon
5. Språkinställningar: Menyspråk, Ljudkanal 1/2, Textningsspråk
6. Tidsinställningar: GMT På – Av eller Tidszon

E. Spel

1. Mine
2. Tetris
3. Gomoku
4. Kalender

F. Övrigt

1. Systeminformation: Visar programvaruversion
2. Fabriksinställningar: Mata först in barnlåsets kod (**8888**) innan återställning av fabriksinställningarna
3. Systemuppdatering: Sök uppdateringar till programvara

G. Egna inställningar

1. Menyfärg
2. Transparens (genomskinlighet)
3. Mönster: Rund eller rektangulär visning av menyen
4. Startanimation: Ställ in startbildens rörelse

7. Användning ATV (Analog TV)

Kom igång...

- Kontrollera att antennen är rätt ansluten.
- Anslut DC-proppen från batterieliminatorn eller 12/24 V-adaptorn till DC 9 V IN (2), anslut sedan batterieliminatorn till ett eluttag eller 12/24 V-adaptorn till cigarettändaruttaget (kontrollera polariteten i uttaget om du är osäker på bilens jordning).
- Ställ strömbrytaren [POWER ON/OFF] (1) i läge **ON**.
- Justera skärmens placering så att du ser bra.

ATV meny

Tryck på [DTV/ATV/AV] (16), och välj ATV. Tryck sedan på [MENU] (6), menyn för ATV visas.

1. Använd [CH+] (7) eller [CH-] (11) för att stega i menyn.
2. Tryck på [VOL+] (20) för att öppna önskad undermeny
3. Ändra inställningar med [VOL+] (20) eller [VOL-] (8).

A. Picture

1. Bright: Ljus
2. Contrast: Kontrast
3. Color: Färg
4. Reset: Återställning

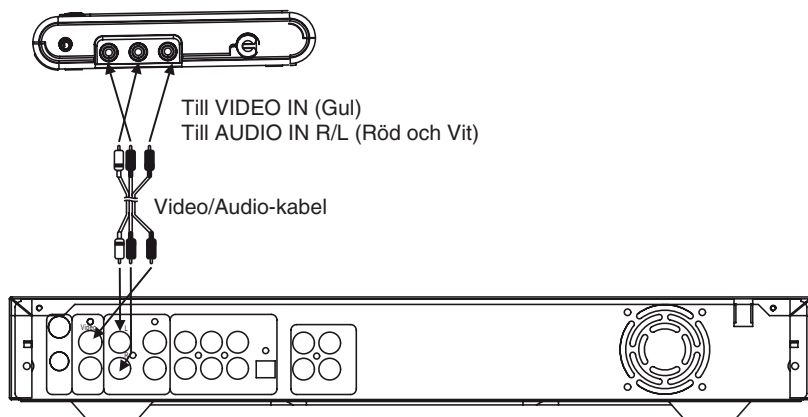
B. System

1. Language: Ställ in språk (svenska, norska och finska finns inte).
2. Clock: Insomningstimer med automatisk avstängning efter: 30 minuter – 60 minuter – 90 minuter – 120 minuter – OFF avstängd.
3. Bildformat: 4:3 eller 16:9
4. Bildläge: Tippa bild, spegelvänd eller upp och ner.
5. Blueback: Blå bakgrund när ingen kanal finns.

C. Preset

1. Position: Kanal nr
2. Remember: Spara kanal
3. Auto-Search: Automatisk kanalsökning, hittade kanaler sparas i minnet.
4. Fine: Fininställning
5. Search: Välj frekvens för manuell sökning.
6. Sound-Sys: Välj ljudsystem I, BG eller DK, **skall vara BG i nordiska länderna.**
7. Color-Sys: Välj TV-system PAL eller SECAM, **skall vara PAL i de nordiska länderna.**

8. AV-läge



Tryck på [DTV/ATV/AV] (16), och välj AV, anslut den bifogade kabeln mellan TV-mottagaren och t.ex. DVD-spelare eller digitalkamera. Tryck på [DTV/ATV/AV] (16), och välj AV.

9. Skötsel och underhåll

- Undvik att utsätta produkten för direkt solljus eller andra värmekällor. Placera inte TV-mottagaren så att solen blänker i skärmen.
- Se till att TV-mottagaren placeras på en plats som är väl ventilerad.
- Placera inga tunga saker ovanpå TV-mottagaren.
- Placera produkten i en ren miljö, utsätt den inte för damm och fukt.

10. Felsökningschema

Symptom	Orsak – Lösning
Ingen bild eller ljud	<ul style="list-style-type: none">• Kontrollera att strömförsörjningen fungerar.• Kontrollera att strömbrytaren (1) står i läge ON.
Ingen bild	<ul style="list-style-type: none">• Se till att du har valt en kanal som har utsändning.• Dålig antenn, byt antenn.
Inget ljud	<ul style="list-style-type: none">• Kontrollera ljudinställningarna: Volym och Mute.• Om hörlurar är anslutna till uttaget (18) är högtalarna avstängda.
Bilden är mörk	<ul style="list-style-type: none">• Kontrollera bildinställningarna: Bright och Contrast.
Bilden är instabil	<ul style="list-style-type: none">• Kontrollera antennens vinkel.• Byt antennplacering något kanske stör, hög byggnad, kraftledning etc.
Dubbelbild	<ul style="list-style-type: none">• Kontrollera antennens vinkel.• Byt antennplacering något kanske stör, hög byggnad, kraftledning etc.
Grymig bild	<ul style="list-style-type: none">• Störningar i kraftförsörjning eller från högspänning i närheten.
Ingen färg	<ul style="list-style-type: none">• Kontrollera systeminställningarna.

11. Skydda miljön

Sortera ditt avfall och låt det gå till återvinning istället för att kasta det. All elektronik, kablar och förpackningsmaterial ska sorteras och hanteras enligt lokala miljöförfordningar.

7":n LCD TV, jossa analoginen/ digitaalinen vastaanotin

Tuotenumero: 38-3093

Malli: TVG3970A

Lue käyttöohjeet ennen tuotteen käyttöönottoa. Säilytä käyttöohjeet tulevaa tarvetta varten. Pidätämme oikeuden teknisten tietojen muutoksiin. Emme vastaa mahdollisista teksti- tai kuvavirheistä. Jos laitteeseen tulee teknisiä ongelmia, ota yhteys myymälään tai asiakaspalveluun (yhteystiedot käyttöohjeen lopussa).

Sisällysluettelo

1. Turvallisuus.....	31
2. Tuotekuvaus.....	31
3. Pakkauksen sisältö.....	31
4. Painikkeet ja toiminnot.....	32
5. Esivalmistelut.....	36
6. Käyttö DVB-T (Digi-TV).....	36
6.1 Pika-asennus.....	36
6.2 Automaattinen ja manuaalinen kanavahaku.....	38
6.3 Päävalikko ja alavalikot.....	39
7. Käyttö ATV (Analogien TV).....	40
8. AV-kanava.....	41
9. Huolto ja ylläpito.....	42
10. Vianhakutaulukko.....	42
11. Pidä huolta ympäristöstä.....	42

1. Turvallisuus

- Sammuta laite ja irrota muuntaja pistorasiasta, mikäli laitteesta tulee savua, hajua tai epänormaaleja ääniä.
- Älä yritä korjata/purkaa laitetta itse.
- Huomioi liikenneturvallisuus: Älä katso televisiota ajaessasi autoa.
- Älä käytä laitetta, mikäli kotelo tai jokin muu osa on vioittunut.
- Älä altista laitetta kosteudelle tai nesteille. Irrota muuntaja heti, jos joku osa on altistunut vedelle tai kosteudelle.
- Irrota muuntaja aina ennen puhdistusta.
- Käytä ainoastaan pakkauksen mukana tullutta muuntajaa tai 12/24 voltin sovittinta.

Varoitus: Tarkasta napaisuus ennen kuin liität pakkauksessa olevan 12/24 voltin muuntajan auton liitäntään. Auton tulee olla miinusmaadoitettu (-), eli savukkeensytyinliitännässä tulee olla plus (+) keskellä.

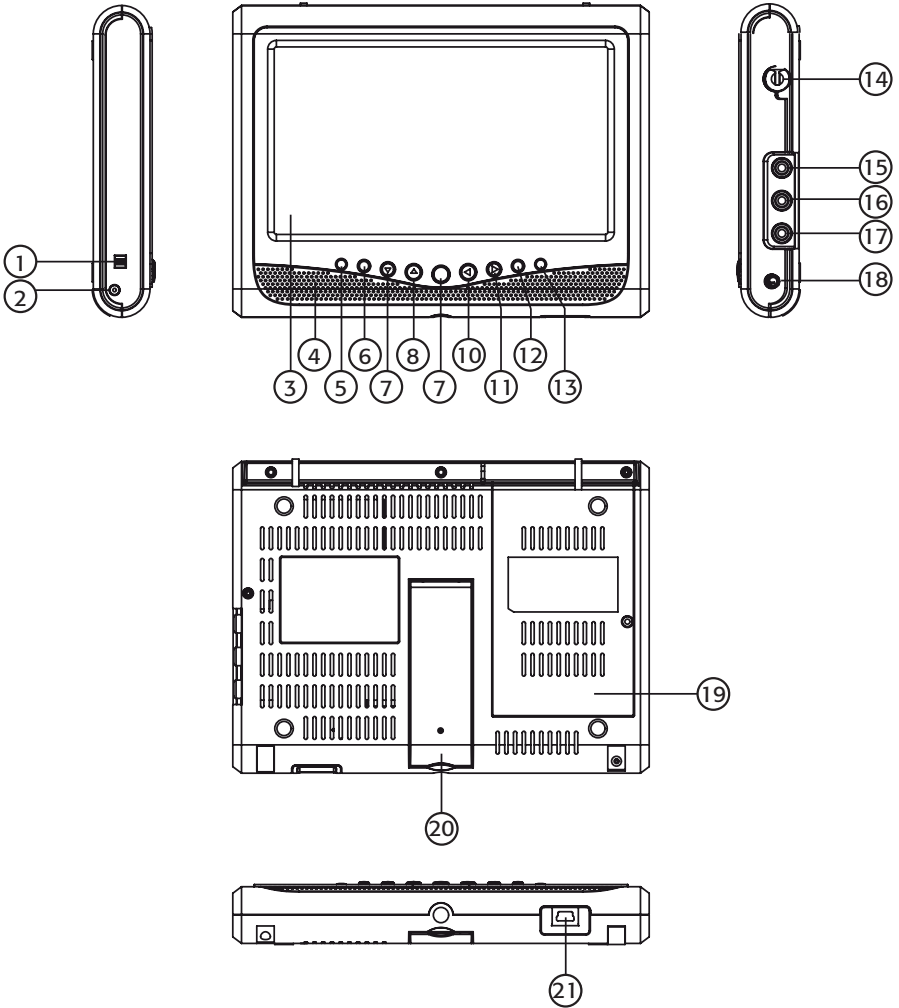
2. Tuotekuvaus

- 7":n lcd-TV, jossa analoginen ja digitaalinen televisiovastaanotin
- AV-sisääntulo
- Kuulokeliitântä, 3,5 mm
- Sisäiset stereokaiuttimet
- Sisäinen ladattava Li-Po-akku, jonka kesto n. 2 tuntia
- 7":n lcd-TV, jossa analoginen ja digitaalinen televisiovastaanotin
- Kaukosäädin
- Widescreen (16:9)
- Ulkoinen antenni
- 12/24-voltin sovitin savukkeensytyinliitäntään
- Muuntaja (230 V)

3. Pakkauksen sisältö

- LCD-TV
- Kaukosäädin
- 12/24-voltin sovitin
- Muuntaja (230 V)
- Antenni
- Kuulokkeet
- AV-kaapeli

4. Painikkeet ja toiminnot

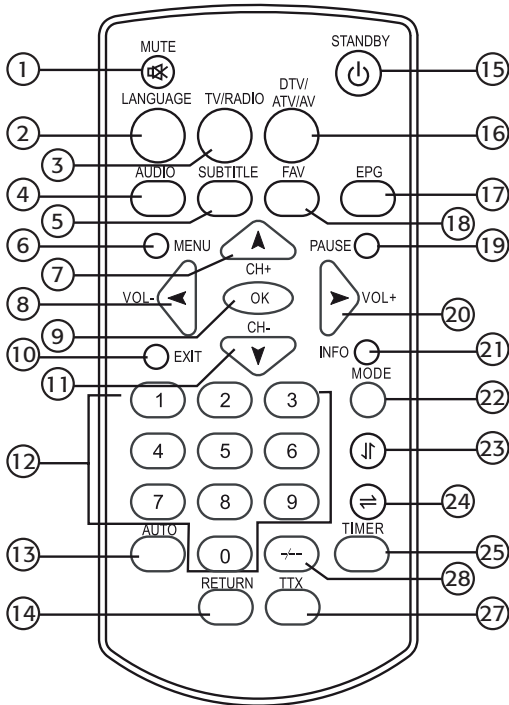




1. **[POWER ON/OFF]** Virtakytkin
 2. **DC 9 V IN** Muuntajan tai 12/24 V:n sovittimen liitäntä
 3. **LCD-näyttö**
 4. **Kaiuttimet**
 5. **STANDBY/POWER/BATTERY** Virran merkkivalo
 6. **[MENU]** Valikko
 7. **[CH-]** Palaa edelliselle kanavalle
 8. **[CH+]** Siirry seuraavalle kanavalle
 9. **[AUTO/OK]** Ohjelman haku ja valinnan vahvistaminen
 10. **[VOL-]** Äänenvoimakkuuden alentaminen
 11. **[VOL+]** Äänenvoimakkuuden lisääminen
 12. **[DTV/ATV/AV]** Toiminnon valinta
 13. **Kaukosäätimen anturi**
 14. **RF IN** Antenniliitäntä
 15. **VIDEO IN** Videoliitäntä
 16. **AUDIO IN L** Äänen sisääntulo, vasen kanava
 17. **AUDIO IN R** Äänen sisääntulo, oikea kanava
 18. **PHONES** Kuulokeliitäntä 3,5 mm:n stereopistokkeelle
 19. **Akkulokeron kansi**
 20. **Tuki**
 21. **USB-liitäntä***
- * Tarkoitettu ainoastaan valmistajan suorittamaan ohjelmiston päivittämiseen

Kaukosäädin

Huom.!

- Suuntaa kaukosäädin kohti television etupuolella olevaa sensoria (13) korkeintaan 60° kulmassa ja korkeintaan 7 metrin päästä.
- Älä paina painikkeita liian nopeasti. Odota, kunnes valittu toiminto on toteutunut ennen kuin painat seuraavaa painiketta.



1. **[MUTE]:** Sammuttaa äänen ja käynnistää sen uudelleen. Ääni aktivoituu myös, mikäli painat V+ tai V-.
2. **[LANGUAGE]:** Vaihtaa OSD-valikoiden kieltä.
3. **[TV/RADIO]:** Valitse TV tai radio.
4. **[AUDIO]:** Valitse mono tai stereo (vain DVB-T-tilassa).
5. **[SUBTITLE]:** Valitse tekstityskieli (vain DVB-T-tilassa).
6. **[MENU]:** Avaa päävalikko DVB-T- tai ATV-tilassa.
7. **[CH+]:** Vaihtaa seuraavan kanavan.
8. **[VOL-]:** Alenna äänenvoimakkuutta.
9. **[OK]:** Vahvista valikkovalinta tai näytä TV-valikko DVB-T-tilassa.
10. **[EXIT]:** Poistu senhetkisestä valikosta tai palaa edelliseen valikkoon.
11. **[CH-]:** Palaa edelliselle kanavalle.
12. **[0] - [9]:** CH+: Paina yhtä/useita painikkeita siirtyäksesi haluamallesi kanavalle.
13. **[AUTO]:** CH+: Paina painiketta muutaman sekunnin ajan hakeaksesi TV-ohjelmia automaattisesti (ATV-tilassa).
14. **[RETURN]:** CH+: Palaa edelliseen ohjelmaan.
15. **[STANDBY]:** Vaihda normaalin näyttötilan ja valmiustilan välillä.
16. **[DTV/ATV/AV]:** Toiminnon valitseminen: DTV, ATV tai AV-tila.
17. **[EPG]:** Näytä ohjelmatiedot.
18. **[FAV]:** Aktivoi tai sammuta suosikkitoiminto. Kun toiminto on aktivoitu, voit valita suosikkiohjelman painamalla CH+ / CH-painikkeita.
19. **[PAUSE]:** Keskeytä ääni ja kuva hetkeksi (DVT-T-tilassa), jatka painamalla uudelleen.
20. **[VOL+]:** Lisää äänenvoimakkuutta.
21. **[INFO]:** Näytä senhetkisen ohjelman tiedot.
22. **[MODE]:** valo, kontrasti, väri, äänenvoimakkuus, peilaus ja kuvannäyttötila. Säädä asetuksia painikkeilla [VOL+] (20) tai [VOL-] (8). Uusi asetus tallentuu automaattisesti.
23.  : Käännä kuva ylös- tai alaspäin.
24.  : Käännä kuvaa vasemmalle tai oikealle.
25. **[TIMER]:** Uniajastimen säätäminen.
26. **[-/--]:** Paina painiketta asettaaksesi kanavanumeron.
27. **[TTX]:** Näytä teksti-tv.

5. Esivalmistelut

Akku

Akku on valmiiksi asennettuna, ja se latautuu, kun televisiota katsotaan muuntajan tai 12/24 V:n sovittimen kanssa. Akku latautuu täyteen noin kuudessa tunnissa. Täysin ladattu akku riittää noin kahden tunnin käyttöön.

Antenni

Liitä pakkauksen mukana tullut antenni (tai muu ulkoinen antenni, mikä on suositeltavaa) RF IN-liitäntään (14). Paranna vastaanottoa tarvittaessa säätämällä antennin suuntaa ja sijoittamista. Signaalinvoimakkuus vaihtelee eri paikoissa, ja siihen vaikuttavat erilaiset esteet, kuten vuoret, korkeat talot, voimalinjat ym.

6. Käyttö DVB-T (Digi-TV)

Käytön aloittaminen

- Varmista että antenni on oikein kytketty.
- Liitä muuntajan tai 12/24 V:n sovittimen DC-pistoke television DC 9V IN-liitäntään (2), liitä tämän jälkeen muuntaja pistorasiaan tai 12/24 V:n sovittin savukkeensytytinliitäntään (tarkasta liitännän napaisuus, mikäli et ole varma auton maadoituksesta).
- Aseta virtakytkin [POWER ON/OFF] (1) asentoon ON.
- Säädä näytön asentoa tarvittaessa.

6.1 Pika-asennus (kun televisio käynnistetään ensimmäisellä kerralla)

1. Kun televisio käynnistetään ensimmäisellä kerralla, näytölle ilmestyy ruutu: Do you want to start "First time Installation Wizard"?
2. Valitse **YES** painikkeilla [VOL+] (20) tai [VOL-] (8), jos haluat aloittaa pika-asennuksen.
3. Aloita asetusten tekeminen painamalla [OK] (9).
4. Näytöllä lukee **Country**, valitse maa painamalla [VOL+] (20), aikavyöhyke ja kieli asetetaan automaattisesti.
5. Siirry eteenpäin valikossa painamalla [CH-] (11), valitse **SEURAAVA** painamalla [VOL+] (20).
6. Näytöllä lukee "Haluatko aloittaa ensiasennuksen?" Valitse **KYLLÄ** ja paina sen jälkeen [OK] (9).
7. Haluatko aloittaa kanavien automaattisen haun, valitse **KYLLÄ** ja paina [OK] (9).
8. Kanavien haku alkaa, ja löytyvien kanavien nimet ilmestyvät listalle.

9. Paina [MENU] (6), päävalikko näkyy näytöllä, valitse **Kanavalista** valikosta painamalla [CH+] (7) tai [CH-] (11).
10. Paina [OK] (9) nähdäksesi alavalikon. Valitse **Lajittele**, jos haluat vaihtaa kanavalistan järjestystä. Lajittele-kohdassa voi poistaa kanavia, vaihtaa kanavien järjestystä ja valita suosikkikanavia.
11. Haussa löytyneet TV- ja radiokanavat näkyvät 5-osaisessa kanavataulukossa:
Numero – Kanavan nimi – Suosikki – Siirrä – Poista
12. Esimerkki lajittelujärjestyksestä: Haluat poistaa kanavan, joka on paikalla 23.
 - a) Siirry taulukon kohtaan 23 painamalla [CH+] (7) tai [CH-] (11).
 - b) Siirry kohtaan **“Poista”** painamalla [VOL+] (20) tai [VOL-] (8)
 - c) Vahvista painamalla [OK] (9), kohtaan ilmestyy punainen risti.
 - d) Jatka samalla tavalla, jos haluat poistaa muita kanavia.
 - e) Kun olet tehnyt muutokset, poistu valikosta ja tallenna asetukset painamalla [EXIT] (10) useita kertoja.

Huom.! Jos haluat käyttää tätä pika-asennusta uudelleen, sinun tulee ensin palauttaa tehdasasetukset. Tee näin:

- Paina [MENU] (6), päävalikko ilmestyy näytölle, valitse **Muuta**, paina [OK] (9) valitaksesi alavalikon, valitse **tehdasasetukset** ja paina [OK] (9).
- **”Syötä lapsilukon koodi”** syötä koodi (tehdasasetuksena **8888**) ja paina [OK] (9). Valitse **KYLLÄ** ja paina sen jälkeen [OK] (9).

6.2 Automaattinen ja manuaalinen kanavahaku

Automaattinen

1. Paina [MENU] (6), päävalikko näkyy näytöllä, valitse **Kanavahaku** valikosta painamalla [CH+] tai [CH-] (11).
2. Paina [OK] (9) nähdäksesi alavalikon. Valitse **Automaattinen haku** ja paina uudelleen [OK] (9).
3. Näytöllä lukee ”**Haluatko aloittaa automaattisen haun**”, vahvista valitsemalla **OK** ja painamalla [OK] (9), vahvista seuraava kysymys samalla tavalla.
4. Kanavahaku alkaa. Haku kestää muutaman minuutin ajan.
5. Valitse valikosta **TV-kanavalista** ja paina sen jälkeen [OK] (9).
6. Haussa löytyneet TV- ja radiokanavat näkyvät 5-osaisessa kanavataulukossa: **Número – Kanavan nimi – Suosikki – Siirrä – Poista**
7. Kanavanuostotaulukossa voit muuttaa ja lajitella löytyneitä kanavia.
8. Esimerkki lajittelevä järjestyksestä: Haluat poistaa kanavan, joka on paikalla 23.
 - a) Siirry taulukon **kohtaan 23** painamalla [CH+] (7) tai [CH-] (11).
 - b) Siirry kohtaan **Poista** painamalla [VOL+] (20) tai [VOL-] (8)
 - c) Vahvista painamalla [OK] (9), kohtaan ilmestyy punainen risti.
 - d) Jatka samalla tavalla, jos haluat poistaa muita kanavia.
 - e) Kun olet tehnyt muutokset, poistu valikosta ja tallenna asetukset painamalla [EXIT] (10) useita kertoja.

Manuaalinen

1. Paina [MENU] (6), päävalikko näkyy näytöllä, valitse **Kanavahaku** valikosta painamalla [CH+] tai [CH-] (11).
2. Paina [OK] (9) nähdäksesi alavalikon. Valitse **Manuaalinen haku** ja paina sen jälkeen [OK] (9).
3. Vaihda kanavia ylös- tai alaspäin kohdassar ”**Kanava-ID**” painamalla [VOL+] (20) tai [VOL-] (8), näytöllä näkyy signaalin voimakkuus ja laatu.
4. Siirry kohtaan ”**OK**” painamalla [CH-] (11), tallenna kanava painamalla [OK] (9).
5. Kanavanuostotaulukossa voit muuttaa ja lajitella löytyneitä kanavia.
6. Esimerkki lajittelevä järjestyksestä: Haluat poistaa kanavan, joka on paikalla 23.
 - a) Siirry taulukon **kohtaan 23** painamalla [CH+] (7) tai [CH-] (11).
 - b) Siirry kohtaan ”**Poista**” painamalla [VOL+] (20) tai [VOL-] (8)
 - c) Vahvista painamalla [OK] (9), kohtaan ilmestyy punainen risti.
 - d) Jatka samalla tavalla, jos haluat poistaa muita kanavia.
 - e) Kun olet tehnyt muutokset, poistu valikosta ja tallenna asetukset painamalla [EXIT] (10) useita kertoja.

6.3 Päävalikko ja alavalikot

Main Menu	
Program List	▶
Program Search	▶
Parental Control	▶
System Setting	▶
Game	▶
Accessory	▶
Personal Style	▶

- Näytä päävalikko painamalla [MENU] (6).
- Valitse alavalikko painamalla [CH+] (7) tai [CH-] (11).
- Poistu valikosta painamalla [EXIT] (10)

A. Kanavalista

1. TV-kanavalista: Näyttää löytyneet TV-kanavat.
2. Radiokanavalista: Näyttää löytyneet radiokanavat.
3. Lajittele: Lajittele löytyneet kanavat.

B. Kanavahaku

1. Automaattinen haku: Hakee kanavat automaattisesti.
2. Manuaalinen haku: Hakee kanavat manuaalisesti.

C. Lapsilukko

1. Syötä koodi: Tehdasasetuksena on koodi **8888**.

D. Järjestelmäasetukset

1. TV-järjestelmä: PAL, NTSC tai AUTO.
2. Kuvasuhde: 4:3 PS, 4:3 LB tai 16:9. Mikäli kuva ei muutu tässä valikossa, sen voi muuttaa painamalla kaukosäätimellä [MODE] (22) ja siirtymällä kohtaan 4:3 tai 16:9.
3. Videosignaali: Videosignaali CVBS.
4. Alueasetukset: Maa, valikkokieli ja aikavyöhyke.
5. Kieliasetukset: Valikkokieli, äänikanava 1/2, Tekstityskieli.
6. Aika-asetukset: GMT Päällä – Pois tai Aikavyöhyke.

E. Pelit

1. Miina
2. Tetris
3. Gomoku
4. Kalenteri

F. Muuta

1. Järjestelmätiedot: Näyttää ohjelmistoversiot
2. Tehdasasetukset: Syötä ensin lapsilukon koodi (**8888**) ennen tehdasasetusten palauttamista
3. Järjestelmäpäivitykset: Hae ohjelmistopäivityksiä.

G. Omat asetukset

1. Valikkoväri
2. Kirkas (läpinäkyylls)
3. Kuvio: Pyöreä tai suorakulmainen valikon näyttö
4. Aloitusanimaatio: Aseta aloituskuvan liike

7. Käyttö ATV (Analoginen TV)

Käytön aloittaminen

- Varmista että antenni on oikein kytketty.
- Liitä muuntajan tai 12/24 V:n sovittimen DC-pistoke television DC 9V IN –liitäntään (2), liitä tämän jälkeen muuntaja pistorasiaan tai 12/24 V:n sovitin savukkeensytyinliitäntään (tarkasta liitännän napaisuus, mikäli et ole varma auton maadoituksesta).
- Aseta virtakytkin [POWER ON/OFF] (1) asentoon **ON**.
- Säädä näytön asentoa tarvittaessa.

ATV-valikko

Paina [DTV/ATV/AV] (16), ja valitse ATV. Paina sen jälkeen [MENU] (6), ATV-valikko näkyy näytöllä.

1. Siirry valikossa painamalla [CH+] (7) tai [CH-] (11).
2. Avaa haluamasi alavalikko painamalla [VOL+] (20).
3. Muuta asetuksia painamalla [VOL+] (20) tai [VOL-] (8).

A. Kuva

1. Bright: Valo
2. Contrast: Kontrasti
3. Color: Väri
4. Reset: Asetusten palauttaminen

B. Järjestelmä

1. Language: Aseta kieli (suomea ei ole).
2. Clock: Uniajastin ja automaattinen sammutus
30 minuutin – 60 minuutin – 90 minuutin – 120
minuutin päästä tai OFF – pois päältä.
3. Kuvaformaatti: Vaihtoehdot ovat 4:3 ja 16:9.
4. Kuvasuhde: Käännä kuvaa, peilikuvaksi tai
ylösalaisin.
5. Blueback: Sininen tausta, kun kanavaa ei näy.

C. Preset

1. Position: Kanavan numero
2. Remember: Tallenna kanava
3. Auto-Search: Automaattinen kanavahaku, löydetyt
kanavat tallennetaan muistiin.
4. Fine: Hienosäätö
5. Search: Valitse manuaalisen haun taajuus.
6. Sound-Sys: Valitse äänijärjestelmä I, BG tai DK.
Pohjoismaissa valitaan BG.
7. Color-Sys: Valitse tv-järjestelmä PAL tai SECAM.
Pohjoismaissa valitaan PAL

8. AV-kanava



Paina [DTV/ATV/AV]-painiketta (16) ja valitse AV. Liitä pakkauksen kaapeli tv-vastaanottimen ja esim. dvd-soittimen tai digitaalikameran välille. Paina [DTV/ATV/AV] (16), ja valitse AV.

9. Huolto ja ylläpito

- Älä altista laitetta suoralle auringonvalolle tai muille lämmönlähteille. Älä aseta tv-vastaanotinta niin, että aurinko paistaa näyttöön.
- Varmista, että tv-vastaanotin sijoitetaan hyvin ilmastoituun paikkaan.
- Älä aseta tv-vastaanottimen päälle painavia esineitä.
- Sijoita laite puhtaaseen ympäristöön, äläkä altista sitä pölylle ja kosteudelle.

10. Vianhakutaulukko

Vika	Syy – Ratkaisu
Ei kuvaa, ei ääntä	<ul style="list-style-type: none">• Varmista, että laite on liitetty toimivaan virtalähteeseen.• Varmista, että virtakytkin (1) on ON-asennossa.
Ei kuvaa	<ul style="list-style-type: none">• Varmista, että olet valinnut lähetyiskanavan.• Antenni voi olla huono, vaihda se.
Ei ääntä	<ul style="list-style-type: none">• Tarkista ääniasetukset: Volume ja Mute.• Jos liitäntään (18) on liitetty kuulokkeet, ei kaiuttimista kuulu ääntä.
Kuva on tumma	<ul style="list-style-type: none">• Tarkista kuva-asetukset: Bright ja Contrast.
Kuva on epävaka	<ul style="list-style-type: none">• Tarkista antennin kulma.• Vaihda antennin paikkaa, esim. korkea rakennus, virtajohto tai jokin muu seikka voi häiritä lähetystä.
Kuvaa näkyy kahtena	<ul style="list-style-type: none">• Tarkista antennin kulma.• Vaihda antennin paikkaa, esim. korkea rakennus, virtajohto tai jokin muu seikka voi häiritä lähetystä.
Kuva on rakeinen	<ul style="list-style-type: none">• Häiriöitä verkkovirrassa tai lähistön korkeajännitteessä.
Ei vääriä	<ul style="list-style-type: none">• Tarkista järjestelmäasetukset.

11. Pidä huolta ympäristöstä

Lajittele ja kierrätä jätteet. Älä heitä niitä sekajätteisiin. Kaikki sähkölaitteet, johdot ja pakkausmateriaalit on lajiteltava ja käsiteltävä paikallisten ympäristösääntöjen mukaisesti.

SVERIGE

KUNDTJÄNST Tel: 0247/445 00
 Fax: 0247/445 09
 E-post: kundtjanst@clasohlson.se

INTERNET www.clasohlson.se

BREV Clas Ohlson AB, 793 85 INSJÖN

NORGE

KUNDESENER Tlf.: 23 21 40 00
 Faks: 23 21 40 80
 E-post: kundesenter@clasohlson.no

INTERNETT www.clasohlson.no

POST Clas Ohlson AS, Postboks 485 Sentrum, 0105 OSLO

SUOMI

ASIAKASPALVELU Puh: 020 111 2222
 Faksi: 020 111 2221
 Sähköposti: info@clasohlson.fi

INTERNET www.clasohlson.fi

OSOITE Clas Ohlson Oy, Yrjönkatu 23 A, 00100 HELSINKI

GREAT BRITAIN

For consumer contact, please visit
www.clasohlson.co.uk and click on
customer service.

INTERNET www.clasohlson.co.uk

CLAS OHLSON

www.clasohlson.com