

Bluetooth Car Stereo

Bilstereo med Bluetooth

Art.no.

38-3385

Model

SM-8366UBR

Ver. 201008

clas ohlson

Bluetooth Car Stereo

Art. No. 38-3385 Model SM-8366UBR

Please read the entire instruction manual before using the product and save it for future reference. We reserve the right for any errors in text or images and any necessary changes made to technical data. If you have any questions regarding technical problems please contact Customer Services.

1. Safety

Read the entire manual before installing!

N.B.

- Incorrect installation invalidates the warranty!
- Cutting the cables invalidates the warranty.
- If you do not have any existing ISO connectors use the included ISO harness for installation.

2. Product description

Car stereo with:

- CD player
- Bluetooth
- MP3 playback capabilities
- WMA playback
- USB and SD memory card connections
- FM radio with RDS
- Removable front panel
- Power: 4 x 40 W
- Low-level line-out

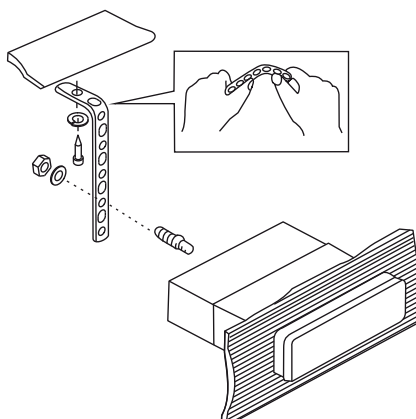
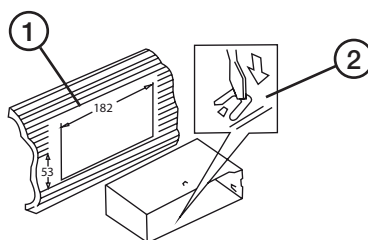
3. Installation

3.1 Dash mounting in your existing (DIN) frame

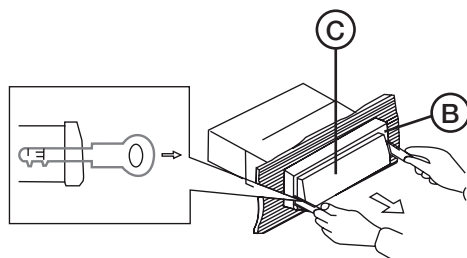
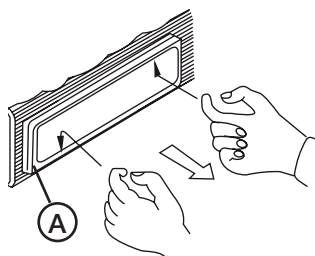
- Only use the included or recommended mounting accessories for correct installation.
- Do not install the car stereo in a way that interferes with the driver's visibility or that may pose a physical danger to the passenger or driver during quick deceleration.
- Avoid installation where the car stereo may be exposed to direct sunlight, extreme heat or vibrations.
- If the installation angle exceeds 30° the device's proper functioning can not be guaranteed.



1. Detach the mounting frame from the stereo (insert the included keys to release the catch pins, and pull the frame backwards).
2. Insert the mounting frame into your car's dash space and fold out the locking tabs to hold the car stereo in position (2) in the mounting space (1).
3. Pull out the car's ISO harness through the mounting frame.
4. Connect the ISO connectors and aerial and test all the functions.
5. Slide the car stereo into the mounting frame so the catch pins on the sides are aligned correctly.



3.2 Removal

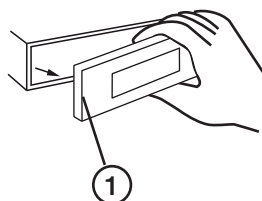


1. Take the front panel off and remove the outer frame (A) carefully with your fingers at the places marked in the figure.
2. Insert the included keys in the space between the mounting frame (B) and the car stereo (C). Push the keys in until a "click" sound is heard.
3. Carefully pull out the keys and the stereo together.
4. Disconnect the ISO and aerial connectors.

3.3 Removable front panel

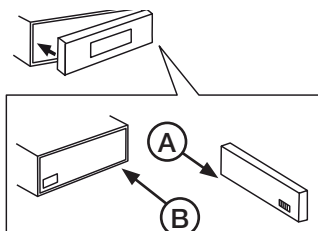
Removal

1. Turn the stereo off using [MUTE/POWER/ENTER] (17).
2. Press the panel release button (1).
3. Carefully remove the front panel.



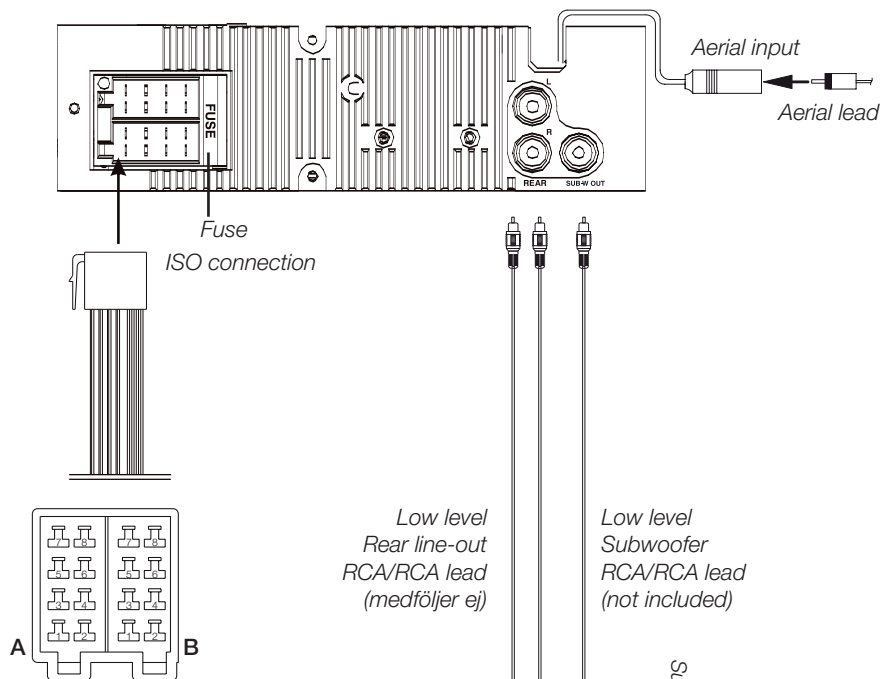
Attachment

1. Attach the front panel with the right side first as shown by arrow A and B in the figure.
2. Press in the front panel's left side carefully until a "click" sound is heard.



4. Connections

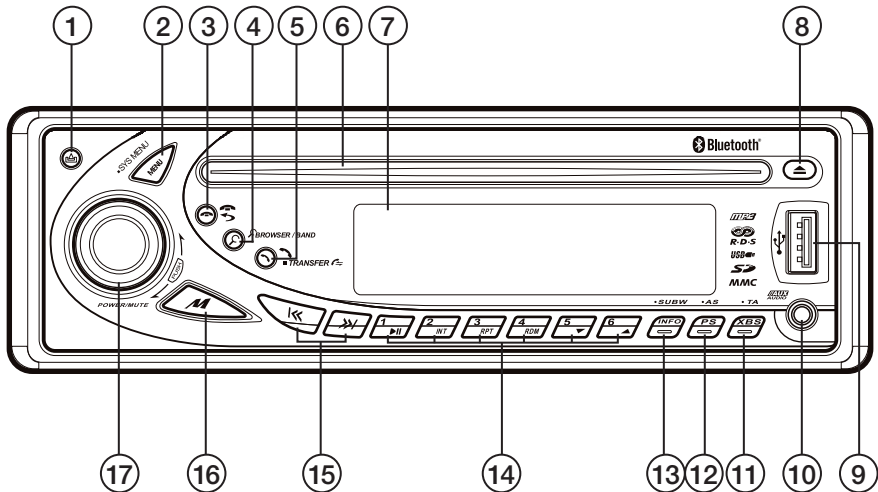
The car stereo has the following connections: Aerial, ISO quick connectors, 5 channel speaker output (front, rear, sub-w).



ISO connection

Pin	Cable colour	Connect to
A4	Yellow	+12 Volt continuous
A5	Blue	Motor antenna
A7	Red	+ 12 V via ignition
A8	Black	(-) Earth
B1	Purple	Rear right speaker (+)
B2	Purple with black stripe	Rear right speaker (-)
B3	Gray	Front right speaker (+)
B4	Grey with black stripe	Front right speaker (-)
B5	White	Front left speaker (+)
B6	White with black stripe	Front left speaker (-)
B7	Green	Rear left speaker (+)
B8	Green with black stripe	Rear left speaker (-)

5. Basic functions

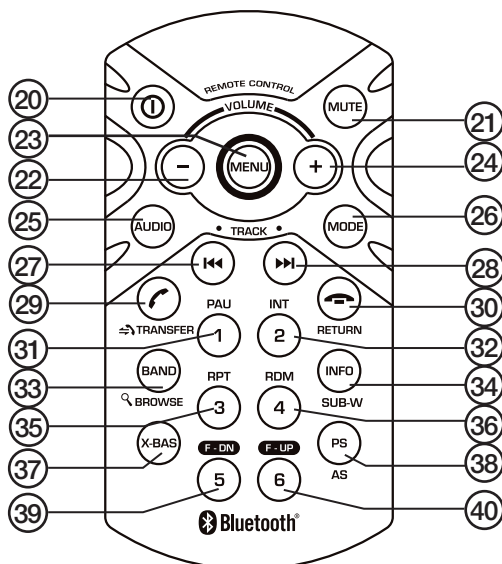


1. **[▲] Panel lock** – Press to release the front panel.
2. **[MENU]** Hold in to display the System Menu, press and release to open the Audio Menu.
 - **RE-CON** BT-pairing (reconnect) **DIS-CON** (disconnect).
 - **BT** Activate Bluetooth (**ON/OFF**)
 - **SEEK** Select the strength of transmission for automatic station scan. **LOC** for strong stations only or **DX** for strong and weak stations.
 - **AF** Alternative frequency. **ON** allows the stereo to retune to a different frequency providing the same station. **OFF** disables the alternative frequency function.
 - **REG ON** to listen exclusively to regional radio stations or **OFF** to listen to any station.
 - **AREA** Set the stereo to the reception area **EUR** (Europe), **RUS**, **USA**, etc.
 - **BEEP ON** to activate an audible signal every time a button is pressed and **OFF** to deactivate this function.
 - **INFO-SYS** Display information and settings.
 - **BTRF** Display strength of the Bluetooth signal, 00 (weakest) to 50 (strongest).
 - **PTY** Select radio programme type (only in radio mode).
3. **[↶]** Return (System Mode), **[☎]** Reject call/end call (Bluetooth Mode).
4. **[BROWSE/BAND]** – Change wavelength (Radio Mode), enter file manager (CD/MP3/WMA mode).
5. **[TRANSFER]** – Press and release to answer a call, hold in to enter Transfer Mode.

6. **Disc tray**
7. **Display**
8. **[▲] EJECT** – Press to open the CD tray.
9. **USB** – USB port
10. **AUX** – (external audio input), connection for external audio sources, e.g. MP3 players.
11. **[XBS] TA** – Hold in the button to activate the iX-Bass function, the “X-BAS” icon will appear on the LCD display. Press once more to return to normal playback.
TA activate/deactivate traffic announcement (Radio mode).
12. **[PS] AS** – Preset Scan/Automatically Store. Select AS or PS in radio mode.
13. **[INFO] SUBW** – Subwoofer button. Hold in the button to activate the subwoofer. The SUBW icon will appear on the display. Press once again to return to normal playback. Press to display ID3 Tag (in MP3 Mode).
14. **Preset radio station** (Radio Mode), other functions CD/MP3/WMA mode).
 - **[1] ▶ ||** Memory slot 1, a short press to pause or start playback.
 - **[2] INT** Memory slot 2, a short press to play intros from all tracks or long press to play folder intro.
 - **[3] RPT** Memory slot 3, a short press to repeat all tracks or long press to repeat folder.
 - **[4] RDM** Memory slot 4, a short press to repeat all tracks in random order or long press to play all folders in random order.
 - **[5] ▼** Memory slot 5, a short press to return to previous folder.
 - **[6] ▲** Memory slot 6, a short press to go to next folder.
15. **[▶▶] [◀◀]** Scan up/down (Radio Mode), go to next/previous track, fast forward/rewind.
16. **[MODE]** Select function: **DISC** (CD), **AUX-IN** (external audio source), **BT AUDIO** (Bluetooth audio), **USB, SD CARD** or **TUNER** (Radio).
17. **[MUTE/POWER/ENTER]** Hold in this button (or any of the buttons on the front) to turn the unit off. A short press will turn off the sound (Mute), another short press will restore the sound.
18. **SD/MMC card slot** (behind front panel).
19. **RESET** button. Restores the unit to the factory default settings. This button is located behind the front panel.

5.1 Remote Control

20. **[1] On/Off** Turns the power on/off.
21. **[MUTE]** Temporarily turns off volume.
22. **[-]** Decreases the volume
23. **[MENU]** Accesses the main menu.
24. **[+]** Increases the volume.
25. **[AUDIO]** Changes audio settings **BAS** (bass), **TRE** (treble), **BAL** (balance) and **FAD** (Fader - balance between front and rear speakers). Adjust using the **[+]** and **[-]** buttons.
26. **[MODE]** Selects mode: **DISC** (CD), **AUX-IN** (external audio source), **BT AUDIO** (Bluetooth audio), **USB, SD CARD** or **TUNER** (Radio).
27. **[⏮]** Scans for lower frequency stations (Radio mode), previous file/fast rewind (CD/MP3/WMA mode).
28. **[⏭]** Scans for higher frequency stations (Radio mode), next file/fast forward (CD/MP3/WMA mode).
29. **[📞]** Answers call, transfers call to mobile phone (BT mode).
30. **[📞]** Rejects incoming call, ends call (BT mode).
31. **[1]** Pause / preset radio station 1.
32. **[2]** Intro / preset radio station 2.
33. **[BAND]** Short press - selects wavelength FM1, FM2, FM3 or MW/preset radio station. Long press – opens file manager.
34. **[INFO]** Displays time, PTY settings. Hold in to activate / deactivate SUBW / preset radio station.
35. **[3] RPT** Repeats file / preset radio station 3.
36. **[4] RDM** Random playback / preset radio station 4.
37. **[X-BAS]** Activates/deactivates the bass boost function.
38. **[PS] AS** Switches between stored radio stations, press again to end scan. Hold in for 3 seconds to automatically scan for and store the 6 strongest station signals. The previous 6 stations will be stored over.
39. **[5] F-DN** Browses down a folder level/backs through preset radio stations / preset radio station 5.
40. **[6] F-UP** Browses up a folder level/advances through preset radio stations / preset radio station 6.



PTY

Coding for different types of programme – allows users to search for desired information/ programmes by genre.

Press one of the buttons [1] to [6] (14), (31), (32), (35), (36), (39) or (40) to select one of the PTY codes:

Button	Music group	Speech group
1	POP, ROCK	NEWS, AFFAIRS, INFO
2	EASY, LIGHT	SPORT, EDUCATE, DRAMA
3	CLASSICS, OTHER	CULTURE, SCIENCE, VARIED
4	JAZZ, COUNTRY	WEATHER, FINANCE, CHILDREN
5	NATION, OLDIES	SOCIAL, RELIGION, PHONE IN
6	FOLK, A-TEXT, ALARM	TRAVEL, LEISURE, DOCUMENT

Choosing PTY causes the radio to search for a matching programme on the current frequency band.

6. Listening to the radio

1. Press [MODE] (16) (26) several times to select TUNER.
2. Press [BAND] (33) to select the desired wavelength: **FM1**, **FM2**, **FM3** and **MW** (AM) (each band can store up to 6 preset stations).
3. You can either tune into a station manually or select a preset station.

6.1 Tuning into a station

Manual tuning: Press and hold in [◀◀] (27) (15) or [▶▶] (28) (15). You have a 3-second window to set the desired frequency using [◀◀] or [▶▶].

Automatic tuning: Press [◀◀] or [▶▶] to scan for the next station automatically.

6.2 Storing a station

To store the station you are listening to: Hold in one of the preset station buttons [1] to [6] (14), (31), (32), (35), (36), (39) or (40) for 3 seconds. Up to 6 stations can be stored on each band.

6.3 Recalling a station

Press one of the preset station buttons [1] to [6] in order to select a preset station from memory.

6.4 Automatically scan for and store the 6 strongest stations

1. Press and hold in [AS] (38) for 3 seconds to start the scan. STORE appears on the display whilst the scanning and storing takes place. The old stations will now be replaced with the newly scanned stations.

Scanning for preset stations on current band

1. Press [AS] for less than 3 seconds.
2. Each preset station will be played for 10 seconds.
3. Press [AS] again to stop scanning when the desired station is reached.

6.5 Stereo

When a stereo station is found, the ST icon appears on the display. If the reception deteriorates and no stereo signal is found, the car stereo reverts to mono operation and the ST icon will not be displayed.

6.6 RDS functions

This car stereo is equipped with the following RDS functions.

- **AF:** Alternative frequency – enables you to listen to the same station even if you drive out of range of the first transmitter, as your stereo re-tunes to a new frequency.
- **CT:** Automatic time setting.
- **PI:** Unique code used to identify the station's country of origin, etc.
- **PS:** Displays the radio station's name.
- **PTY:** Programme type.
- **TA:** Traffic announcement.
- **TP:** Traffic programme.

6.7 TA function (traffic announcement)

1. Press and hold in [XBS] (11) to turn on the TA standby mode. The TA icon will appear on the display.
2. When in this mode a traffic announcement will be received as top priority regardless of the function mode.
3. TRAFFIC INFO will appear on the display just before an announcement starts.
4. The traffic announcement can be cancelled by pressing [XBS]. The stereo will then return to TA standby mode. An audible beep indicates that the traffic announcement reception has been broken. "Lost TP, TA" will then appear on the display.

7. CD/MP3/WMA operation

7.1 CD/MP3/WMA operation

1. Insert a CD into the CD tray with the label-side up, plug in a USB memory stick or insert an SD card.
2. Press [MODE] (16) (26) several times to select the location of the files: **DISC**, **USB** or **SD** card.
3. Playback from the selected storage device will start automatically and "READING" will appear briefly on the display before playback starts.
3. A short press on [◀] (27) (15) or [▶] (28) (15) will change to the previous or next track.
4. Press and hold in [◀◀] or [▶▶] to rewind or fast forward in the current track.
5. Use the function buttons [1] to [4] (14), (31), (32), (35), (36) to control playback:
 - [1] ▶ || – Press to pause playback and press again to resume playback.
 - [2] INT – Press to play the first 10 seconds of every track.
 - [3] RPT – Repeats all tracks.
 - [4] RDM – Press for random playback.
5. Press [▲] (8) to stop playback and remove/insert a CD.
6. Press [INFO] (13) (34) to display information about the current track.

Playback order

Folders and files are played in the order that they were written on the disc, memory stick or memory card. There are also three other methods of organising the playback order:

A. Intro

- Press and hold in [2] (14) (32) for more than 3 seconds whilst playing an MP3/WMA file. The first few seconds of all the files in the current folder will now be played. Press and hold in [2] again to stop playing the file intros.
- Press [2] for less than 3 seconds whilst playing an MP3/WMA file. The first few seconds of all the files on the disc/memory will now be played. Press [2] again to stop playback.

B. Repeat

- Press and hold in [3] (14) (35) for more than 3 seconds whilst playing an MP3/WMA file. All the files in the current folder will now be played. Press and hold in [3] again to stop playing the file intros.
- Press [3] for less than 3 seconds whilst playing an MP3/WMA file. The current file will now be played repeatedly. Press [3] again to stop playback.

C. Random

- Press and hold in [4] (14) (36) for more than 3 seconds whilst playing an MP3/WMA file. All the files in the current folder will now be played in random order. Press and hold in [4] again to stop playing the file intros.
- Press [4] for less than 3 seconds whilst playing an MP3/WMA file. All the files in the current disc/memory will now be played. Press [4] again to stop playback.

7.2 MP3 file or folder search

Searching by file number

Press [BAND] (33) and rotate [MUTE/POWER/ENTER] (17) until you find the desired file number. "NUMBER" is shown on the display. Press [MENU] (23) (2) to confirm and start playback of the selected file.

Searching by folder

Press [BAND] (33) and rotate [MUTE/POWER/ENTER] (17) until you find the desired folder. "BROWSE" is shown on the display. Press [MENU] to confirm and start playback of the first file in the selected folder.

ID3 Tag display

Press [INFO] (34) repeatedly to display ID3 Tag information.

Version 1.0 and 1.1 are supported.

Bit rate

32 – 320 kbps is supported.

8. USB stick and SD card operation

8.1 Inserting/removing a USB stick

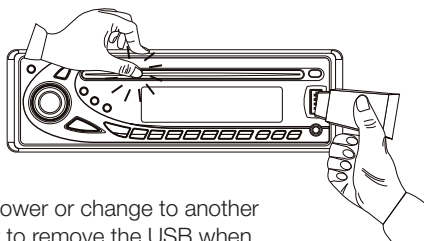


Removing the USB stick

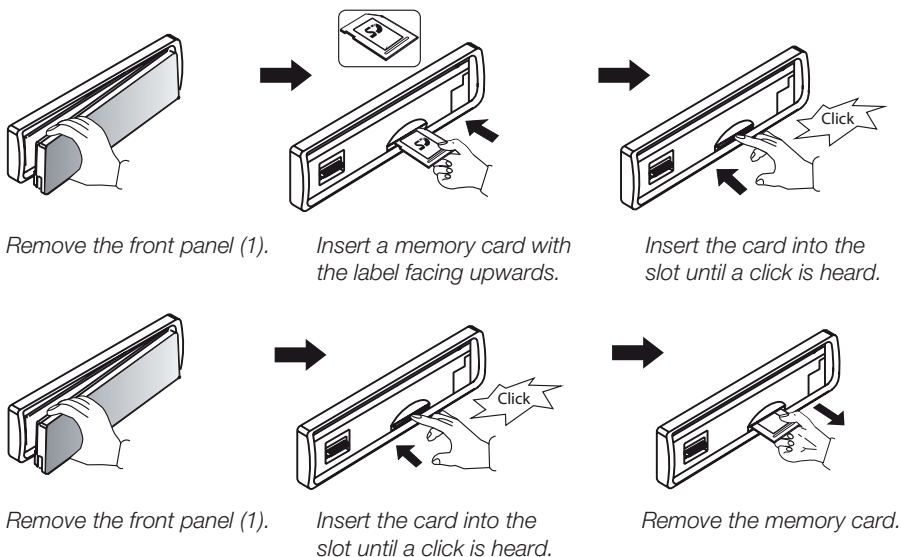
1. Hold the panel with one hand.
2. Carefully remove the USB stick with your other hand.

Warning:

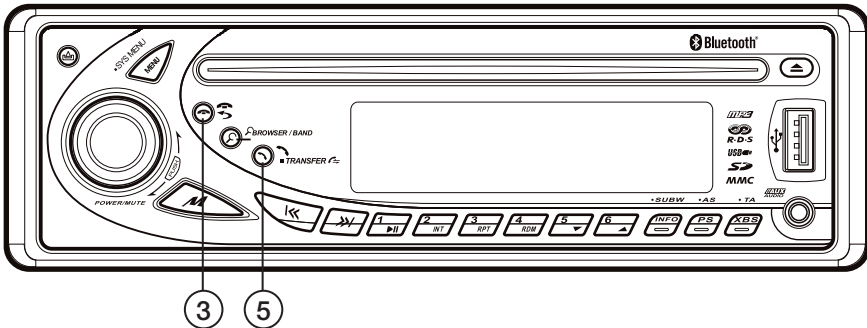
Always remember to switch off the car stereo power or change to another mode before removing the USB stick. Never try to remove the USB when it is playing a music file. Doing so could damage the stick.





8.2 Inserting/removing SD/MMC memory cards



9. Bluetooth operation



Number	Button	Bluetooth Handsfree function
3	 Call / Esc (short press)	<ol style="list-style-type: none"> 1. Reject incoming call. 2. End a call.
5	 Phone / Transfer (long press)	<ol style="list-style-type: none"> 1. Accept an incoming call. 2. Transfer call back to mobile phone.

9.1 Bluetooth user guide

1. First make sure that your mobile phone supports Bluetooth.
2. Make sure that your mobile phone is paired to the car stereo.
3. "BT89" is the device name of the car stereo and it will appear on the telephone display..
4. For the best results, keep the telephone within a 3 metre range from the car stereo.
5. Certain brands of mobile phone, for example Sony Ericsson have a Power Saving Mode. Do not use this function as it can interfere with the operation of the Bluetooth Handsfree.
6. For the best results, keep within 1 metre away from the car stereo when making calls.
7. To end a Bluetooth car stereo call, switch off Bluetooth manually on your mobile phone or select "dis-connect" on the car stereo.
8. Certain brands of mobile phone, for example Nokia, support *In Band Ring Tone*, which means that your mobile phone's normal ringtone also works via the car stereo. Otherwise the standard car stereo ringtone is used.
9. In order to avoid an echo effect, the volume on the stereo should be set to under 30.
10. If any function does not work properly, a SOFT-RESET may be in order. This is done by removing the stereo's front panel and waiting 1 minute. Replace the front panel and try again. If necessary you may also do a full reset by pressing the [RESET] button (19) found behind the front panel.

9.2 Pairing

Pairing the Bluetooth system with your mobile phone and car stereo.

1. Turn on your mobile phone and activate Bluetooth.
2. Search for Bluetooth devices on your mobile phone (refer to you phone's manual).
3. "BT89" will appear on your phone's display. Select **BT89** and enter **1234** as the password.
4. The car stereo automatically returns to its previous mode regardless of whether the pairing was successful or not.

9.3 Re-connection of the Bluetooth system

The car stereo has an automatic re-connection function, but in some cases you might need to re-connet manually.

1. Hold in [MODE] until you access the System Menu, select **RE-CON** using [◀] (27) (15) or [▶] (28) (15) and confirm with [MUTE/POWER/ENTER] (17).
2. "WAIT >>>" appears on the display during the connection period.

9.4 Incoming call

Answering an incoming call


1. During incoming calls, the phone number of the caller will show in the display. If the caller's number is withheld, "PHONE IN" appears on the display.
2. A short press on [TRANSFER] (5) will answer the call (do not press the button before "PHONE IN" has appeared on the display).
3. Anything that is playing on the stereo will be muted during an incoming call.
4. The volume control knob (17) can be used for volume adjustment.
5. Press the [⏸] button (3) to end. Whatever was playing on the stereo will start again.


Rejecting an incoming call

1. Press [⏸] (3) to reject a call.

9.5 Outgoing call

Making a call

1. Make a normal call with your mobile. When the phone is ringing, "CALL" will appear on the display.
2. Anything that is playing on the stereo will be muted.
3. The volume control knob (17) can be used for volume adjustment.
4. Press the [] button (3) to end. Whatever was playing on the stereo will start again.

NOTE! The car stereo does not switch off during a call, even if the ignition is turned off. It must be turned off using the [] button (3).

Transferring a call to your mobile

1. During a call, you can hold in the [TRANSFER] button (5) to transfer the call from the stereo to your mobile phone. This will take approximately 3 seconds.
2. Your stereo will be muted and "TRANSFER" will appear on the display. Repeat the same procedure in order to transfer the call to your stereo.

9.6 Bluetooth Audio Streaming A2DP (Advanced Audio Distribution Profile)

It is possible to stream audio from your mobile (if A2DP is supported) to the stereo.

Refer to the section on Pairing for details of how to get started.

NOTE! If your mobile has both HFP (Hands Free Profile) and A2DP, then both will be paired simultaneously. You will not need to pair this separately.

Listening to music from your mobile phone on your stereo

1. First pair your mobile phone with the car stereo.
2. Press [MODE] (16) until "BT AUDIO" appears on the display.
3. If pairing is successful, "BT AUDIO" will appear on the display. You will now be able to listen to music from your mobile via your car stereo. Your regular telephone functions will continue to work even in this mode.

NOTE! To listen to Bluetooth audio streaming you must first change to BT AUDIO mode, otherwise the A2DP function will not work.

10. Care and maintenance

Use a soft damp cloth to wipe the product. Never use solvents or strong detergents.

11. Troubleshooting guide

Problem	Possible cause	Solution
The device does not start.	The car's ignition is not turned on.	Turn on the ignition.
	The fuse is broken.	Check and change the fuse.
The disc cannot be played.	The disc is wrong.	Try another disc.
	The disc is not properly inserted.	Insert the disc with the text up.
	The disc is dirty.	Clean the disc.
	The car's interior is too hot.	Wait until the car has cooled down.
	Condensation on the lens.	Turn off the device and wait an hour.
No sound.	The volume is turned down.	Adjust the volume.
	The speakers are not connected properly.	Check the connections.
The buttons do not work.	The micro processor may need to be reset.	Press "Reset" behind the front panel.
	The front panel is loose.	Attach the front panel properly.
The sound disappears.	The device is angled too much (max 30°).	Adjust the installation.
	The disc is dirty or faulty.	Clean or replace the CD.
No radio reception.	Antenna cord is not connected.	Check the connections.
	The signals are too weak.	Choose another frequency/station.
The display will show ERROR 1.	The micro processor may need to be reset.	Press "Reset" behind the front panel.
An echo is heard during calls.	The volume is set too high.	Reduce the volume to under 30.
The clock displays no time ("NO CLOCK").	The clock is set automatically by the RDS information. The radio station may not be transmitting RDS information or the reception is too weak.	Switch to a stronger signal.

12. Disposal

Follow local ordinances when disposing of this product. If you are unsure of how to dispose of this product, please contact your local authority.

13. Specifications

FM

Frequency response 87.5–108 MHz

Signal-to-noise ratio 50 dB

CD player

Signal-to-noise ratio 70 dB

Frequency response 5–20,000 Hz

Bluetooth

Range 3 metres (unobstructed)

General

Input voltage 11 – 14 V DC

Polarity Negative earth

Speaker impedance 4 ohms

Output power 4 x 40 watts

Bilstereo med Bluetooth

Art.nr 38-3385 Modell SM-8366UBR

Läs igenom hela bruksanvisningen före användning och spara den sedan för framtida bruk. Vi reserverar oss för ev. text- och bildfel samt ändringar av tekniska data. Vid tekniska problem eller andra frågor, kontakta vår kundtjänst (se adressuppgifter på baksidan).

1. Säkerhet

Läs igenom hela bruksanvisningen innan montering!

OBS!

- Vid felaktig inkoppling upphör garantin att gälla!
- Om kablarna på bilstereon klipps upphör garantin att gälla.
- Om platsen för montering saknar ISO-kontakter, använd de medföljande lösa ISO-kontakterna med kabel för montering.

2. Produktbeskrivning

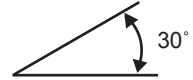
Bilstereo med:

- CD-spelare
- Bluetooth
- Uppspelning av MP3/WMA
- Anslutning för USB-minne och SD-minneskort
- FM-radio med RDS
- Löstagbar stöldfront
- Effekt 4 x 40 W
- Lågnivåutgång

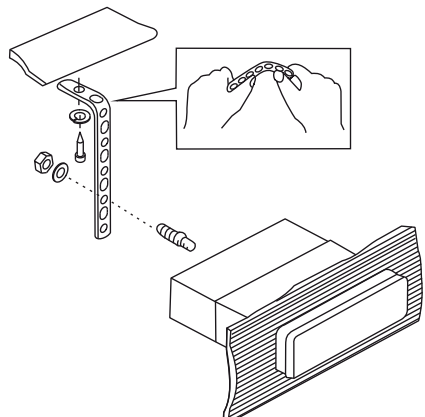
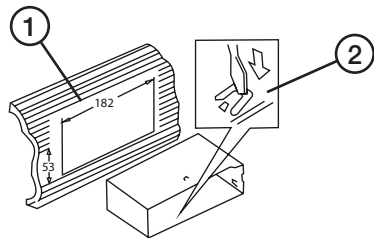
3. Installation

3.1 Montering i monteringsram (DIN)

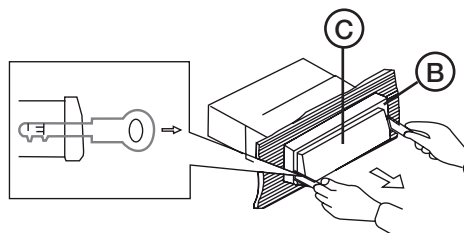
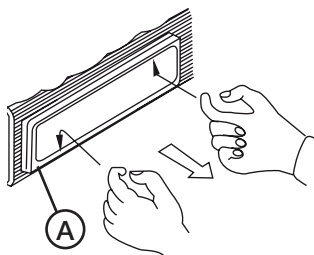
- Använd endast medföljande eller rekommenderade monteringsstillbehör för korrekt installation.
- Installera inte bilstereon så att den skymmer förarens sikt eller så att den kan skada förare eller passagerare vid eventuell snabb inbromsning.
- Undvik att installera bilstereon på sådant sätt att den utsätts för direkt solljus, stark värme eller starka vibrationer.
- Om installationsvinkeln överstiger mer än 30° kan apparatens funktioner ej garanteras.



1. Ta av monteringsramen från stereon (tryck in de medföljande nycklarna så att spärrarna släpper, och dra ramen bakåt).
2. Tryck in den lösa monteringsramen i bilens uttag och vik ut några av låsflikarna (2) så att de låser fast monteringsramen i monteringshålet (1).
3. Dra fram bilens ISO-kontakter genom monteringsramen.
4. Anslut ISO-kontakterna och antennen och prova alla funktioner.
5. Tryck in bilstereon i monteringsramen så att spärrarna på sidorna kommer i läge.



3.2 Borttagning av bilstereon



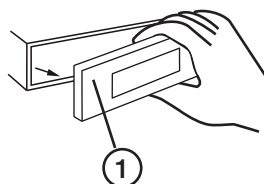
1. Ta bort frontpanelen och avlägsna den yttre ramen (A) försiktigt med fingrarna vid markeringarna enligt bilden.
2. Sätt i de medföljande nycklarna i springorna mellan monteringsramen (B) och bilstereon (C). Nycklarna ska tryckas in tills ett klickljud hörs.
3. Dra försiktigt i nycklarna och bilstereon för att avlägsna bilstereon.
4. Ta bort ISO-kontakterna och antennkontakten.

3.3 Löstagbar frontpanel

Ta bort frontpanelen

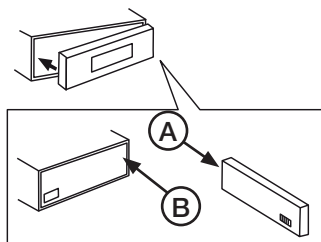
Panelspärr

1. Stäng av apparaten med AV/PÅ-knappen.
2. Tryck in panelspärren (1).
3. Ta bort frontpanelen försiktigt.



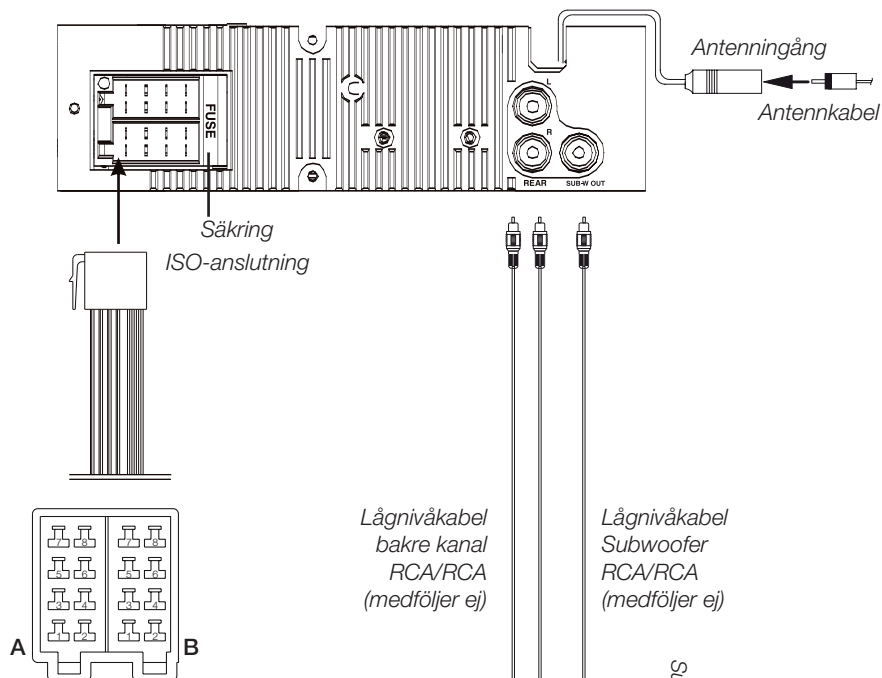
Sätta dit frontpanelen

1. Sätt dit frontpanelen med den högra sidan först med pilen A mot pilen B enligt figuren.
2. Tryck försiktigt på frontpanelens vänstra sida tills ett klickljud hörs.



4. Anslutningar

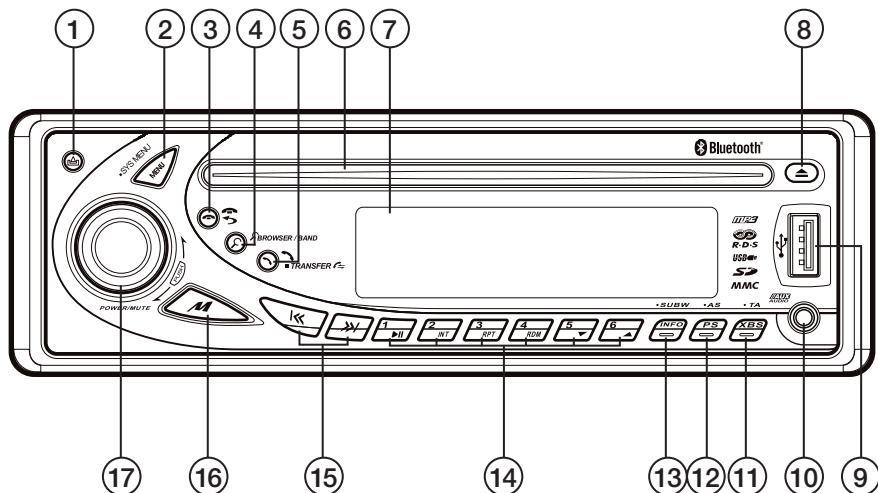
Bilsterеоapparaten har följande anslutningar: Antennanslutning, snabbkoppling ISO, 5-kanals lågnivåutgång (fram, bak, sub-w).



ISO-anlutning

Stift	Kabelfärg	Kopplas till
A4	Gul	+12 Volt kontinuerligt
A5	Blå	Motorantenn
A7	Röd	+ 12 Volt via tändning
A8	Svart	(-) Jord
B1	Lila	Höger bakre högtalare (+)
B2	Lila med svart rand	Höger bakre högtalare (-)
B3	Grå	Höger främre högtalare (+)
B4	Grå med svart rand	Höger främre högtalare (-)
B5	Vit	Vänster främre högtalare (+)
B6	Vit med svart rand	Vänster främre högtalare (-)
B7	Grön	Vänster bakre högtalare (+)
B8	Grön med svart rand	Vänster bakre högtalare (-)

5. Grundfunktioner

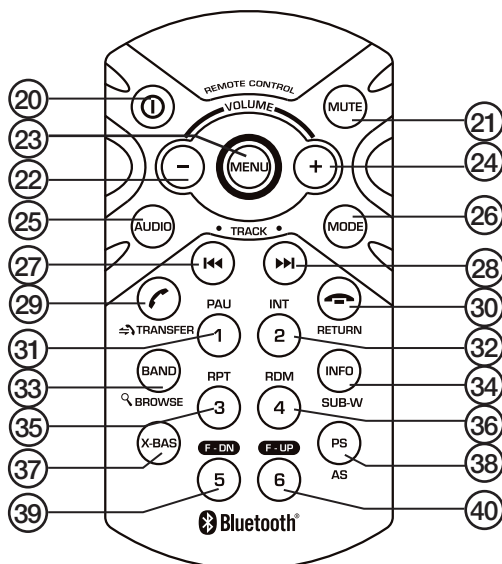


1. **▲ Panelspär** – Tryck på knappen för att lossa frontpanelen.
2. **[MENU]** Håll in för att visa System-meny, tryck och släpp för att öppna Audio-meny.
 - **RE-CON** BT-pairing (återanslutning) **DIS-CON** (avbryt anslutning).
 - **BT** Aktivera Bluetooth (**ON**) / stäng av (**OFF**).
 - **SEEK** Välj hur starka stationer som ska hittas vid automatisk sökning. **LOC** för att enbart hitta starka stationer eller **DX** för att även hitta de svaga stationerna.
 - **AF** Alternativ station. **ON** för att automatiskt välja en starkare station som sänder samma program. **OFF** för att stänga av den funktionen.
 - **REG ON** för att lyssna till enbart regionala radiostationer eller **OFF** för att lyssna till alla stationer.
 - **AREA** Ställ in i vilket område som bilradion används **EUR** (europa), **RUS**, **USA** etc.
 - **BEEP ON** för att aktivera tonsignal vid varje knapptryckning och **OFF** för att stänga av.
 - **INFO-SYS** Visa information och inställningar.
 - **BTRF** Visa styrkan på Bluetooth-signalen, 00 (svagast) till 50 (starkast).
 - **PTY** Välj önskad programtyp för radion (endast i radioläge).
3. **[↶]** Återgå (System-läge), **[📶]** Förfasta samtal/avsluta samtal (Bluetooth-läge)
4. **[BROWSE/BAND]** – Byt våglängd (Radio-läge), öppna filhanterare (CD/MP3/WMA-läge).
5. **[TRANSFER]** – Tryck och släpp för att besvara samtal, håll in för att öppna Transfer-läge.

6. **Skivfack**
7. **Display**
8. **[▲] EJECT** – Tryck för att mata ut CD-skivan.
9. **USB** – Anslutning för USB-minne.
10. **AUX** – (extern ljudingång), anslutning för extern ljudkälla, t.ex. MP3-spelare.
11. **[XBS] TA** – Håll in knappen för att aktivera iX-bas-funktion, en "X-BAS" –ikon visas. Tryck en gång till för att återgå till normal uppspelning. **TA** aktivera/stäng av trafikmeddelande (Radio-läge).
12. **[PS] AS** Välj **AS** eller **PS** i radioläge.
13. **[INFO] SUBW** Håll in knappen för att aktivera Subwoofer, en "SUBW" –ikon visas på displayen. Tryck en gång till för att återgå till normal uppspelning. Tryck för att visa ID3 Tag (i MP3-läge).
14. **Snabbvalsminne** för radiostationer (Radio-läge), övriga funktioner (CD/MP3/WMA-läge).
 - **[1] ▶ ||** Minnesplats 1, tryck kort för göra paus eller starta uppspelning.
 - **[2] INT** Minnesplats 2, tryck kort för att spela upp intro från alla spår eller håll in för katalogintro.
 - **[3] RPT** Minnesplats 3, tryck kort för att repetera alla spår eller håll in för katalogrepetition.
 - **[4] RDM** Minnesplats 4, tryck kort för att spela alla spår slumpmässigt eller håll in för slumpmässig uppspelning av kataloger.
 - **[5] ▼** Minnesplats 5, tryck kort för att gå till föregående katalog.
 - **[6] ▲** Minnesplats 6, tryck kort för att gå till nästa katalog.
15. **[▶▶] [◀◀]** Sök uppåt/neråt (Radio-läge), gå till nästa/föregående spår, snabbspolning framåt/bakåt.
16. **[MODE]** Välj funktion: **DISC** (skiva), **AUX-IN** (extern ljudkälla), **BT AUDIO** (bluetooth-överföring), **USB**, **SD-card** (SD-minneskort) eller **TUNER** (radio).
17. **[MUTE/POWER/ENTER]** Håll in knappen (eller någon annan av knapparna på fronten) för att slå på eller stänga av apparaten. Tryck in knappen och släpp direkt för att tillfälligt stänga av ljudet (Mute), tryck en gång till för att återgå till normal uppspelning.
18. **Anslutning för SD/MMC-minneskort** (bakom frontpanelen).
19. **RESET** (återställningsknapp). Återställer apparaten till fabriksinställningar. Knappen är placerad bakom frontpanelen.

5.1 Fjärrkontroll

20. **[1]** On/Off slå på/stäng av.
21. **[MUTE]** Stäng av ljudet tillfälligt.
22. **[-]** Minska volymen.
23. **[MENU]** Öppna huvudmeny.
24. **[+]** Öka volymen.
25. **[AUDIO]** Ändra ljudinställningar
BAS (bas), **TRE** (diskant), **BAL** (balans) och **FADE** (balans mellan främre och bakre högtalare).
Justera med **[+]** och **[-]**.
26. **[MODE]** Funktion: **DISC** (skiva), **AUX-IN** (extern ljudkälla), **BT** (bluetooth-överföring), **USB**, **SD-card** eller **TUNER** (radio).
27. **[◀▶]** Sök program/frekvens neråt (radio-läge), föregående fil/snabbspolning bakåt (CD/MP3/WMA-läge).
28. **[▶▶]** Sök program/frekvens uppåt (radio-läge), nästa fil/snabbspolning framåt (CD/MP3/WMA-läge).
29. **[☎]** Besvara samtal, flytta samtal tillbaka till mobiltelefon (BT-läge).
30. **[☎]** Förförkasta inkommande samtal, avsluta samtal (BT-läge).
31. **[1]** Paus / förinställd radiostation 1.
32. **[2]** Intro / förinställd radiostation 2.
33. **[BAND]** Välj våglängd FM1, FM2, FM3 eller MW (mellanvåg). Håll in länge för att öppna filhanteraren.
34. **[INFO]** Visa klocka, PTY-iställningar, håll in för att aktivera (**ON**) / stänga av (**OFF**) SUB-W (sub-bas).
35. **[3]** RPT Repetition av fil / förinställd radiostation 3.
36. **[4]** RDM Slumpvis uppspelning / förinställd radiostation 4.
37. **[X-BAS]** Aktivera (**ON**)/stänga av (**OFF**) X-bas funktion.
38. **[PS] AS** Växla mellan de sparade radiostationerna, tryck igen för att avbryta sökningen. Håll in i ca tre sekunder för att automatiskt söka upp de 6 starkaste stationerna, de tidigare sparade stationerna skrivs då över av de nya.
39. **[5] F-DN** Sök bakåt bland katalogerna/stega bakåt bland de sparade radiostationerna / förinställd radiostation 5.
40. **[6] F-UP** Sök framåt bland katalogerna/stega framåt bland de sparade radiostationerna / förinställd radiostation 6.



PTY

Koder för olika typer av program som gör det möjligt att söka önskad information.

Tryck på någon av knapparna [1] till [6] för att välja bland de olika PTY-koderna:

Knapp	Musikgrupp	Talgrupp
1	POP, ROCK	NEWS, AFFAIRS, INFO
2	EASY, LIGHT	SPORT, EDUCATE, DRAMA
3	CLASSICS, OTHER	CULTURE, SCIENCE, VARIED
4	JAZZ, COUNTRY	WEATHER, FINANCE, CHILDREN
5	NATION, OLDIES	SOCIAL, RELIGION, PHONE IN
6	FOLK, A-TEXT, ALARM	TRAVEL, LEISURE, DOCUMENT

När du valt PTY-kod söker radion igenom frekvensbandet för att försöka hitta en station som har matchande program.

6. Lyssna på radio

1. Tryck på [MODE] flera gånger och välj **TUNER**.
2. Tryck på [BAND] för att välja önskad våglängd: **FM1**, **FM2**, **FM3** och **MW** (AM) (varje band har minne för 6 st. stationer).
3. Sök station eller välj en sparad frekvens.

6.1 Stationssökning

Manuell stationssökning: Tryck och håll in [◀◀] eller [▶▶]. Ställ sedan in önskad frekvens (inom 3 sekunder) med knapparna [◀◀] eller [▶▶].

Automatisk stationssökning: Tryck på [◀◀] eller [▶▶] för att söka nästa station.

6.2 Spara radiostation

Spara den radiostation du lyssnar på: Håll in en av knapparna [1] till [6] (14) i 3 sekunder. 6 stationer kan sparas för varje band.

6.3 Lyssna på en sparad frekvens

Tryck på en av minnesknapparna [M1] till [M6] för att snabbt ta fram en sparad frekvens från minnet.

6.4 Sök och spara de 6 starkaste stationerna automatiskt

1. Tryck och håll in [AS] i ca 3 sekunder för att starta sökningen. STORE visas på displayen under tiden som sökning och sparning pågår. De nya stationerna ersätter de tidigare lagrade stationerna.

Sök bland de sparade stationerna på bandet

1. Tryck på [AS] mindre än 3 sekunder.
2. 10 sekunder spelas upp från varje sparad station
3. Tryck på [AS] igen för att stoppa sökningen och lyssna till den hittade kanalen.

6.5 Stereo

När en station som sänder i stereo hittas, visas ST på displayen. Om mottagningen blir sämre övergår bilstereon till monomottagning och då visas inte ST inte på displayen.

6.6 RDS funktioner

Bilstereon är utrustad med följande RDS funktioner.

- **AF:** Alternativ frekvens gör att du behåller samma kanal om du åker in i t.ex. ett annat län och frekvensen ändrar sig.
- **CT:** Automatisk klockinställning.
- **PI:** Unik kod för att identifiera stationen beroende på land etc.
- **PS:** Namn på radiostationen i displayen.
- **PTY:** Programtyp.
- **TA:** Trafikmeddelande.
- **TP:** Trafikprogram.

6.7 TA-funktion (trafikmeddelande)

1. Tryck och håll in [XBS] för att slå på TA standbyläge. TA-ikonen visas på displayen.
2. I detta läge mottas trafikmeddelanden oavsett vilket läge bilstereon är inställd i.
3. "TRAFFIC INFO" visas i displayen före ett meddelande.
4. Det går att avbryta meddelandet genom att trycka på [XBS]. Bilstereon återgår till TA standbyläge. En summer indikerar att trafikmeddelandet avbröts och displayen visar "Lost TP, TA".

7. CD/MP3/WMA-uppspelning

7.1 CD/MP3/WMA-uppspelning

1. Sätt i en CD-skiva i CD-facket med etiketten vänd uppåt, anslut en USB-enhet eller sätt i ett SD-minneskort.
2. Tryck på [MODE] flera gånger för att markera var filerna finns: **DISC**, **USB** eller **SD-card**.
3. Displayen visar en kort stund "READING" innan uppspelningen från den valda enheten startar automatiskt.
3. Tryck kort på [◀] eller [▶] för att välja föregående eller nästa spår.
4. Tryck och håll in [◀] eller [▶] för att snabbspola bakåt eller framåt i det pågående spåret.
5. Använd funktionsknapparna [1] till [4] för att styra uppspelningen:
 - **[1] ▶ ||** Tryck för att göra paus i uppspelningen. Tryck igen för att återuppta uppspelningen.
 - **[2] INT** Tryck för att spela upp de 10 första sekunderna på alla spår.
 - **[3] RPT** Repetition av aktuellt spår.
 - **[4] RDM** Tryck för att välja slumpvis uppspelning.
5. Tryck på [▲] (8) om du vill stoppa uppspelning och ta ur CD-skivan.
6. Tryck på [INFO] för att visa information om spåret som spelas upp.

Uppspelningsordning

Kataloger och filer spelas upp i den ordning som de har skrivits in på skivan, minnet eller minneskortet. Det finns också tre olika metoder för annan uppspelningsordning:

A. Intro (Introduktion)

- Tryck och håll in [2] i mer än 3 sekunder under uppspelning av MP3/WMA-fil. De första sekunderna i katalogens alla filer kommer nu att spelas upp. Tryck och håll in [2] igen för att avbryta uppspelningen.
- Tryck in [2] i mindre än 3 sekunder under uppspelning av MP3/WMA-fil. De första sekunderna i skivans/minnets alla filer kommer nu att spelas upp. Tryck in [2] igen för att avbryta uppspelningen.

B. Repeat (Repetition)

- Tryck och håll in [3] i mer än 3 sekunder under uppspelning av MP3/WMA-fil. Katalogens alla filer kommer nu att spelas upp. Tryck och håll in [3] igen för att avbryta uppspelningen.
- Tryck in [3] i mindre än 3 sekunder under uppspelning av MP3/WMA-fil. Filen som spelas upp kommer nu att repeteras oavbrutet. Tryck in [3] igen för att avbryta uppspelningen.

C. Random (Slumpvis uppspelning)

- Tryck och håll in [4] i mer än 3 sekunder under uppspelning av MP3/WMA-fil. Katalogens alla filer kommer nu att spelas upp i slumpvis ordning. Tryck och håll in [4] igen för att avbryta uppspelningen.
- Tryck in [4] i mindre än 3 sekunder under uppspelning av MP3/WMA-fil. Skivans/minnets alla filer kommer nu att spelas upp. Tryck in [4] igen för att avbryta uppspelningen.

7.2 MP3 filhantering

Sök filnummer

Tryck på [BAND] och vrid på [MUTE/POWER/ENTER] för att hitta önskat filnummer. "NUMBER" visas på displayen. Tryck på [MENU] för att bekräfta och starta uppspelning av den valda filen.

Sök katalog

Tryck på [BAND] och vrid på [MUTE/POWER/ENTER] för att hitta önskad katalog. "BROWSE" visas på displayen. Tryck på [MENU] för att bekräfta och starta uppspelning av den första filen i den valda katalogen.

Visning av ID3 Tag

Tryck in [INFO] flera gånger för att visa filinformation.

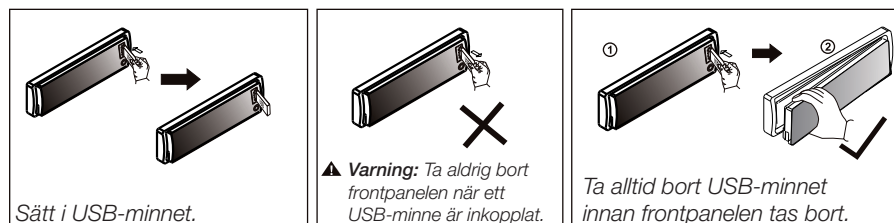
Version 1.0 och 1.1 stöds.

Bit rate

32 – 320 kbps stöds.

8. Användning av USB-enhet och SD-minneskort

8.1 Sätt i och ta bort USB-enhet

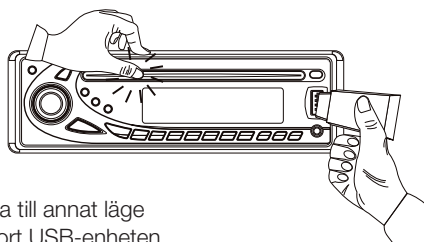


Ta ur USB-minnet så här

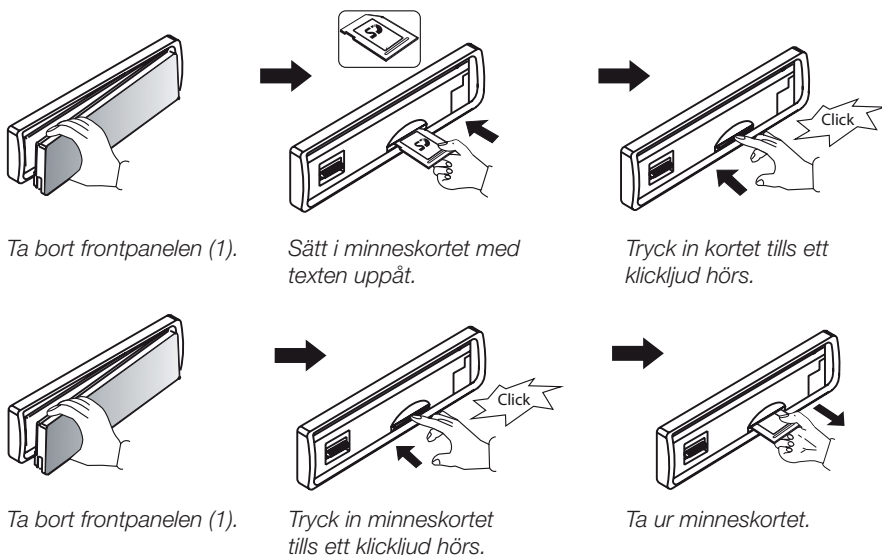
1. Håll i frontpanelen med en hand.
2. Dra försiktigt ut USB-minnet med den andra handen.

Varning:

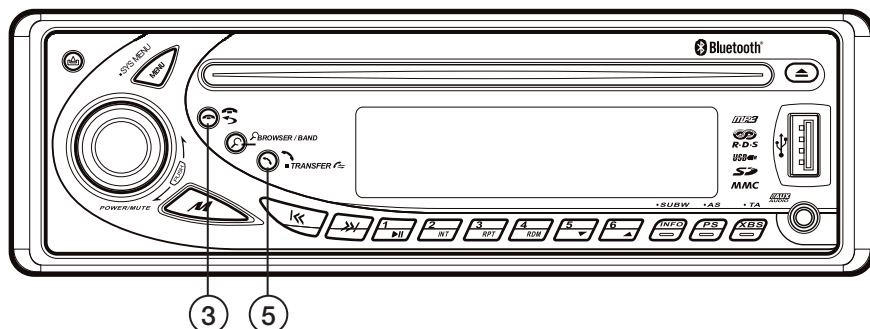
Kom alltid ihåg att stänga av bilstereon eller byta till annat läge innan USB-enheten tas bort. Försök aldrig ta bort USB-enheten när en fil spelas, det kan skada minnet.



8.2 Sätt i och ta bort SD- eller MMC-minne



9. Användning av Bluetooth



Nummer	Knapp	Bluetooth Handsfree funktion
3	 Call / Esc (kort tryckning)	<ol style="list-style-type: none"> 1. Förfasta inkommande samtal. 2. Avsluta ett samtal.
5	 Phone / Transfer (lång tryckning)	<ol style="list-style-type: none"> 1. Besvara ett inkommande samtal. 2. Flytta samtal tillbaka till mobiltelefon.

9.1 Användarguide för Bluetooth

1. Kontrollera först att din mobiltelefon stödjer Bluetooth.
2. Se till att mobiltelefonen är länkad med bilstereon innan användning.
3. "BT89" är bilstereons namn som även visas i mobiltelefonen.
4. För bästa resultat, håll inte mobiltelefonen mer än 3 meter från bilstereon.
5. Vissa märken som till exempel Sony Ericsson har Power Saving Mode (energisparläge). Använd inte det eftersom det kan försämma funktionen.
6. Prata inte längre än 1 meter från bilstereon för bästa resultat.
7. För att avsluta ett samtal via Bluetooth med bilstereon, stäng av manuellt på mobiltelefonen eller välj **disconnect** på bilstereon.
8. Vissa fabrikat av mobiltelefoner som till exempel Nokia stödjer *In Band Ring Tone*, vilket betyder att den ringsignalen du har på mobiltelefonen också fungerar i enheten. Annars används en standardsignal.
9. För att undvika eko under ett samtal bör volymen vara inställd under 30 på bilstereon.
10. Om någon funktion inte fungerar som den ska, kan man göra en SOFT-RESET (återställning) genom att ta bort frontpanelen från bilstereon och vänta 1 minut. Sätt sedan tillbaka frontpanelen och försök igen. Det går även att göra en full återställning genom att trycka på [RESET]-knappen (19) bakom frontpanelen.

9.2 Länkning

Länka Bluetoothsystemet med användarens mobiltelefon och bilstereon.

1. Slå på mobiltelefonen och aktivera Bluetooth.
2. Sök efter Bluetooth-enheter på mobiltelefonen (se mobiltelefonens bruksanvisning).
3. "BT89" visas på telefonens display. Välj **BT89** och skriv in lösenordet **1234**.
4. Bilstereon återgår automatiskt till föregående läge efter lyckad/misslyckad länkning.


9.3 Återanslutning av Bluetoothsystemet

Bilstereon har en automatisk återkopplingsfunktion men i vissa fall måste man återkoppla manuellt.

1. Håll in [MODE] tills Menyn öppnar, välj **RE-CON** med [**◀**] eller [**▶**] och bekräfta med [MUTE/POWER/ENTER].
2. "WAIT >>>" visas i displayen under tiden som länkning pågår.

9.4 Inkommande samtal

Svara på ett inkommande samtal

1. Vid inkommande samtal visas telefonnumret i displayen. Om det är ett anonymt samtal visas "PHONE IN" i displayen.
2. Tryck snabbt på [TRANSFER] (5) för att besvara samtalet (tryck inte på knappen innan "PHONE IN" har visats på displayen).
3. Det som spelas upp i bilstereon tystnar vid ett inkommande samtal.
4. Volymratten (17) används för att justera ljudnivån.
5. Tryck på []-knappen (3) för att avsluta. Det som spelades upp i bilstereon startar igen.

Neka ett inkommande samtal

1. Tryck på [] (3) för att avböja ett samtal.

9.5 Utgående samtal

Ring upp

1. Använd mobiltelefonen för att ringa ett samtal. När uppringningen sker visas "CALL" på displayen.
2. Det som spelas upp i bilstereon tystnar när man ringer ett samtal.
3. Volymratten (17) används för att justera ljudnivån.
4. Tryck på [📞]-knappen (3) för att avsluta. Det som spelas upp i bilstereon startar igen.

OBS! Bilstereon stängs inte av under pågående samtal även om tändningen stängs av. Den måste då stängas av manuellt med på [📞]-knappen (3).

Flytta ett samtal till mobiltelefonen

1. Under ett samtal tryck och håll in [TRANSFER]-knappen (5) för att flytta samtalet från bilstereon till mobiltelefonen. Det tar cirka 3 sekunder.
2. Ljudet tystnar på bilstereon och "TRANSFER" visas på displayen. Upprepa samma procedur för att åter överföra samtalet till bilstereon.

9.6 Bluetooth Audio Streaming A2DP (Advanced Audio Distribution Profile)

Det går att streama musik från mobiltelefonen (om den stöder A2DP) till bilstereon.

Se avsnittet om länkning för information hur man kommer igång.

OBS! Om mobiltelefonen har både HFP (Hands Free Profile) och A2DP länkas de samtidigt. Man behöver alltså inte göra en separat länkning.

Lyssna på musik från en mobiltelefon i bilstereon

1. Länka samman mobiltelefonen med bilstereo.
2. Tryck på [MODE] (16) tills "BT AUDIO" visas i displayen.
3. Om länkningen fungerar visas "BT AUDIO" i displayen och musiken kan spelas upp. Telefonfunktionerna fungerar även när du befinner dig i detta läge.

OBS! Välj först BT AUDIO-läge annars går det inte att aktivera A2DP.

10. Skötsel och underhåll

Torka av bilstereon med en mjuk, lätt fuktad trasa.

Använd aldrig lösningsmedel eller starka rengöringsmedel.

11. Felsökning

Felsymptom	Möjlig orsak	Åtgärd
Enheten startar ej.	Bilens tändning är inte påslagen.	Slå på bilens tändning.
	Säkringens är trasig.	Kontrollera och byt säkringen.
Skivan kan inte spelas upp.	Skivan är felaktig.	Prova med en annan skiva.
	Skivan felaktigt isatt.	Sätt i skivan med etiketten uppåt.
	Skivan är smutsig.	Rengör skivan.
	Temperaturen i bilen är för hög.	Vänta tills bilen svalnat.
Inget ljud.	Kondens på linsen.	Låt enheten vara avslagen och vänta i minst en timme.
	Volymen nedställd.	Justera volymen uppåt.
Knapparna fungerar ej.	Högtalarna är inte korrekt anslutna.	Se över anslutningarna.
	Mikroprocessorn kan behöva återställas.	Tryck på "Reset" bakom frontpanelen.
Ljudet försvinner ibland.	Frontpanelen sitter löst.	Sätt fast frontpanelen riktigt.
	Enheten lutar för mycket (max 30°).	Justera installationen.
Ingen radio-mottagning.	Skivan är smutsig eller felaktig.	Rengör eller byt skivan.
	Antennkabeln är inte ansluten.	Se över anslutningarna.
Displayen visar ERROR 1.	Signalerna är för svaga.	Välj en annan frekvens/station.
	Mikroprocessorn kan behöva återställas.	Tryck på "Reset" bakom frontpanelen.
Det ekar under ett samtal.	För hög volym inställd.	Sänk volymen till under 30.
Klockan visar ingen tid ("NO CLOCK").	Klockan ställs in automatiskt av RDS-informationen. Radiostationen sänder kanske inte RDS-information eller så är mottagningen för svag.	Byt till en starkare radiostation.

12. Avfallshantering

När du ska göra dig av med produkten ska detta ske enligt lokala föreskrifter.

Är du osäker på hur du ska gå tillväga, kontakta din kommun.

13. Specifikationer

FM

Frekvensområde 87,5 – 108 MHz

Signalbrusförhållande 50 dB

CD-spelare

Signalbrusförhållande 70 dB

Frekvensåtergivning 5 – 20 000 Hz

Bluetooth

Räckvidd 3 meter (oblockerad)

Allmänt

Drivspänning 11 – 14 V DC

Polaritet Minus till jord

Högtalarimpedans 4 Ohm

Uteffekt 4 x 40 Watt

Sverige

Kundtjänst Tel: 0247/445 00
 Fax: 0247/445 09
 E-post: kundtjanst@clasohlson.se

Internet www.clasohlson.se

Post Clas Ohlson AB, 793 85 INSJÖN

Norge

Kundesenter Tlf.: 23 21 40 00
 Faks: 23 21 40 80
 E-post: kundesenter@clasohlson.no

Internett www.clasohlson.no

Post Clas Ohlson AS, Postboks 485 Sentrum, 0105 OSLO

Suomi

Asiakaspalvelu Puh: 020 111 2222
 Faksi: 020 111 2221
 Sähköposti: info@clasohlson.fi

Internet www.clasohlson.fi

Osoite Clas Ohlson Oy, Annankatu 34–36 A, 00100 HELSINKI

Great Britain

 For consumer contact, please visit
 www.clasohlson.co.uk and click on
 customer service.

Internet www.clasohlson.co.uk

clas ohlson